

General Information

1

Data Transmission and Control Circuits

2

Display Drivers

3

Peripheral Drivers/Power Actuators

4

Mechanical Data

5

Explanation of Logic Symbols

6

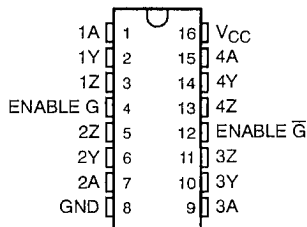


AM26LS31C QUADRUPLE DIFFERENTIAL LINE DRIVER

D2433, JANUARY 1979—REVISED MAY 1990

- Meets EIA Standard RS-422-A
- Operates From a Single 5-V Supply
- TTL Compatible
- Complementary Outputs
- High Output Impedance in Power-Off Conditions
- Complementary Output Enable Inputs

D, J, OR N PACKAGE
(TOP VIEW)



description

The AM26LS31C is a quadruple complementary-output line driver designed to meet the requirements of EIA Standard RS-422-A and Federal Standard 1020. The 3-state outputs have high-current capability for driving balanced lines such as twisted-pair or parallel-wire transmission lines, and they provide a high-impedance state in the power-off condition. The enable function is common to all four drivers and offers the choice of an active-high or active-low enable input. Low-power Schottky circuitry reduces power consumption without sacrificing speed.

The AM26LS31C is characterized for operation from 0°C to 70°C.

FUNCTION TABLE (EACH DRIVER)

INPUT A	ENABLES		OUTPUTS	
	G	\bar{G}	Y	Z
H	H	X	H	L
L	H	X	L	H
H	X	L	H	L
L	X	L	L	H
X	L	H	Z	Z

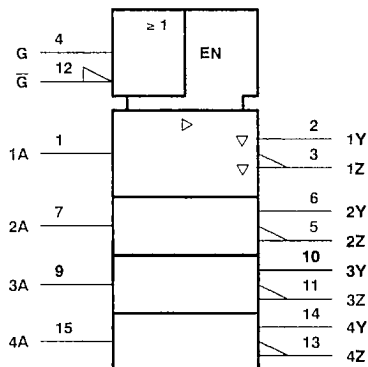
H = high level

L = low level

X = irrelevant

Z = high impedance (off)

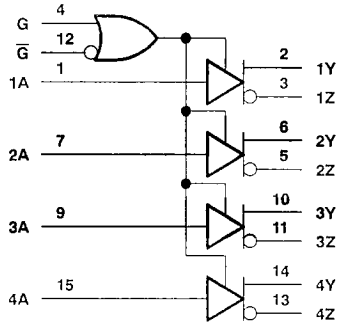
logic symbol†



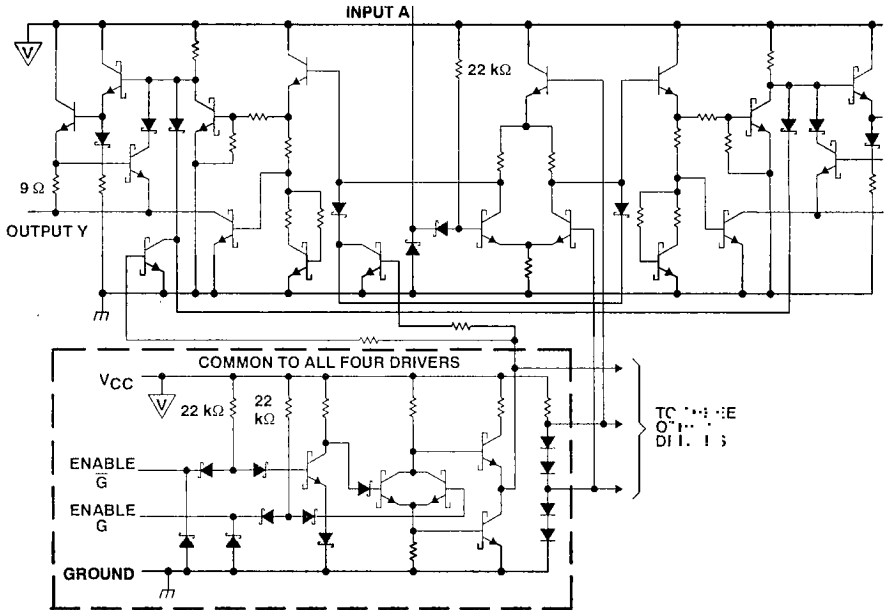
† This symbol is in accordance with ANSI/IEEE Std 91-1984 and IEC Publication 617-12.

AM26LS31C QUADRUPLE DIFFERENTIAL LINE DRIVER

logic diagram (positive logic)



schematic (each driver)



All resistor values are nominal.

absolute maximum ratings over operating free-air temperature range (unless otherwise noted)

Supply voltage, V_{CC} (see Note 1)	7 V
Input voltage	7 V
Output off-state voltage	5.5 V
Continuous total dissipation	See Dissipation Rating Table
Operating free-air temperature range	0 to 70°C
Storage temperature range	-65 to 150°C
Lead temperature 1,6 mm (1/16 inch) from case for 60 seconds: J package	300°C
Lead temperature 1,6 mm (1/16 inch) from case for 10 seconds: D or N package	260°C

NOTE 1: All voltage values, except differential output voltage V_{OD} , are with respect to network ground terminal.

DISSIPATION RATING TABLE

PACKAGE	$T_A \leq 25^\circ\text{C}$	DERATING FACTOR	$T_A = 70^\circ\text{C}$
	POWER RATING	ABOVE $T_A = 25^\circ\text{C}$	POWER RATING
D	950 mW	7.6 mW/°C	608 mW
J	1025 mW	8.2 mW/°C	656 mW
N	1150 mW	9.2 mW/°C	736 mW

recommended operating conditions

	MIN	NOM	MAX	UNIT
Supply voltage, V_{CC}	4.75	5	5.25	V
High-level input voltage, V_{IH}	2			V
Low-level input voltage, V_{IL}			0.8	V
High-level output current, I_{OH}			-20	mA
Low-level output current, I_{OL}			20	mA
Operating free-air temperature, T_A	0		70	°C

AM26LS31C

QUADRUPLE DIFFERENTIAL LINE DRIVER

electrical characteristics over operating free-air temperature range (unless otherwise noted)

PARAMETER		TEST CONDITIONS	MIN	TYP†	MAX	UNIT
V_{IK}	Input clamp voltage	$V_{CC} = 4.75\text{ V}$, $I_I = -18\text{ mA}$			-1.5	V
V_{OH}	High-level output voltage	$V_{CC} = 4.75\text{ V}$, $I_{OH} = -20\text{ mA}$	2.5			V
V_{OL}	Low-level output voltage	$V_{CC} = 4.75\text{ V}$, $I_{OL} = 20\text{ mA}$			0.5	V
I_{OZ}	Off-state (high-impedance-state) output current	$V_{CC} = 4.75\text{ V}$	$V_O = 0.5\text{ V}$		-20	μA
			$V_O = 2.5\text{ V}$		20	
I_I	Input current at maximum input voltage	$V_{CC} = 5.25\text{ V}$, $V_I = 7\text{ V}$			0.1	mA
I_{IH}	High-level input current	$V_{CC} = 5.25\text{ V}$, $V_I = 2.7\text{ V}$			20	μA
I_{IL}	Low-level input current	$V_{CC} = 5.25\text{ V}$, $V_I = 0.4\text{ V}$			-0.36	mA
I_{OS}	Short-circuit output current‡	$V_{CC} = 5.25\text{ V}$	-30		-150	mA
I_{CC}	Supply current	$V_{CC} = 5.25\text{ V}$, All output disabled		32	80	mA

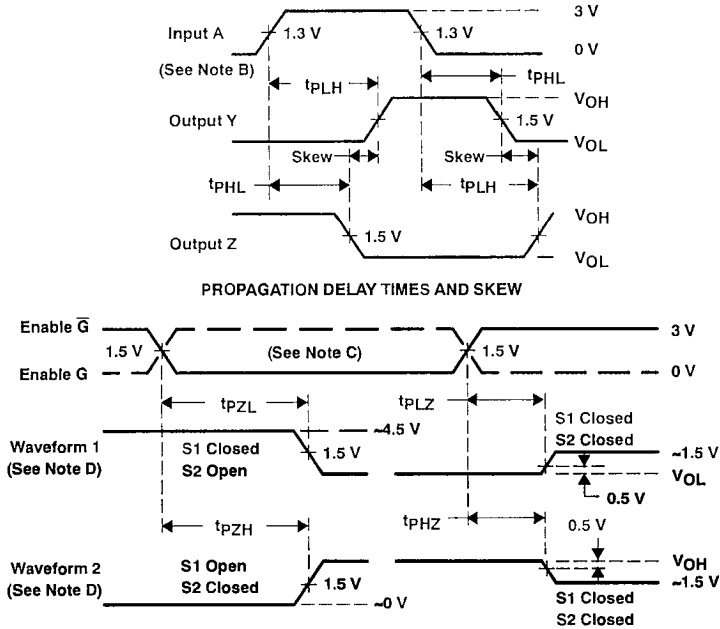
† All typical values are at $V_{CC} = 5\text{ V}$ and $T_A = 25^\circ\text{C}$.

‡ Not more than one output should be shorted at a time, and duration of the short circuit should not exceed one second.

switching characteristics, $V_{CC} = 5\text{ V}$, $T_A = 25^\circ\text{C}$

PARAMETER		TEST CONDITIONS			MIN	TYP	MAX	UNIT
t_{PLH}	Propagation delay time, low-to-high-level output	$C_L = 30\text{ pF}$	See Figure 1,	S1 and S2 open		14	20	ns
	t_{PHL}				Propagation delay time, high-to-low-level output		14	20
	Output-to-output skew							1
t_{PZH}	Output enable time to high level	$C_L = 30\text{ pF}$	$R_L = 75\ \Omega$	See Figure 1		25	40	ns
t_{PZL}	Output enable time to low level	$C_L = 30\text{ pF}$	$R_L = 180\ \Omega$	See Figure 1		37	45	ns
t_{PHZ}	Output disable time from high level	$C_L = 10\text{ pF}$	See Figure 1,	S1 and S2 closed		21	30	ns
	t_{PLZ}				Output disable time from low level		23	35

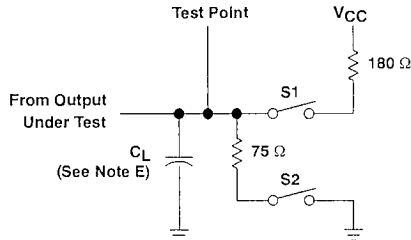
PARAMETER MEASUREMENT INFORMATION



PROPAGATION DELAY TIMES AND SKEW

ENABLE AND DISABLE TIMES

VOLTAGE WAVEFORMS



TEST CIRCUIT

- NOTES: A. All input pulses are supplied by generators having the following characteristics: PRR \leq 1 MHz, $Z_0 \sim 50 \Omega$, $t_r \leq 15$ ns, and $t_f \leq 6$ ns.
 B. When measuring propagation delay times and skew, switches S1 and S2 are open.
 C. Each enable is tested separately.
 D. Waveform 1 is for an output with internal conditions such that the output is low except when disabled by the output control. Waveform 2 is for an output with internal conditions such that the output is high except when disabled by the output control.
 E. C_L includes probe and jig capacitance.

Figure 1. Switching Times

TYPICAL CHARACTERISTICS

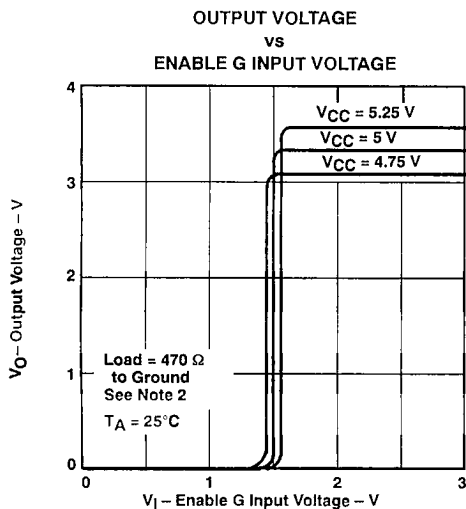


Figure 2

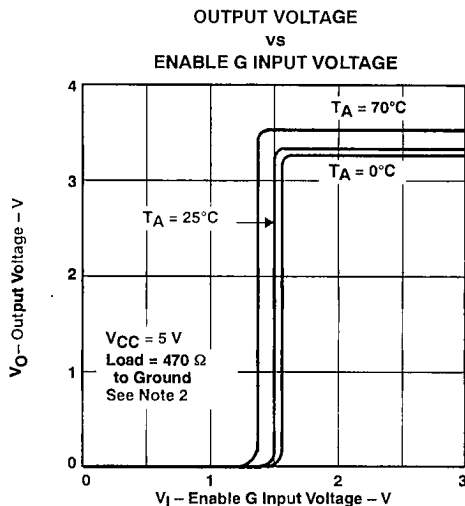


Figure 3

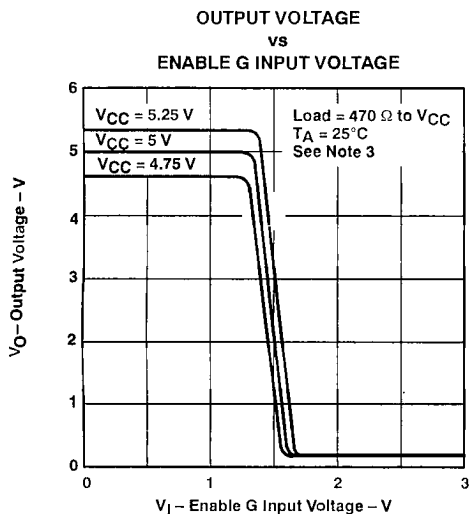


Figure 4

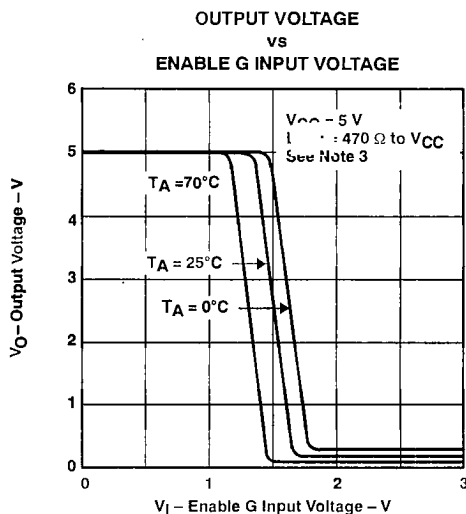


Figure 5

- NOTES: 2. The A input is connected to V_{CC} during the testing of the Y outputs and to ground during testing of the Z outputs.
 3. The A input is connected to ground during the testing of the Y outputs and to V_{CC} during the testing of the Z outputs.

TYPICAL CHARACTERISTICS

HIGH-LEVEL OUTPUT VOLTAGE
 vs
 FREE-AIR TEMPERATURE

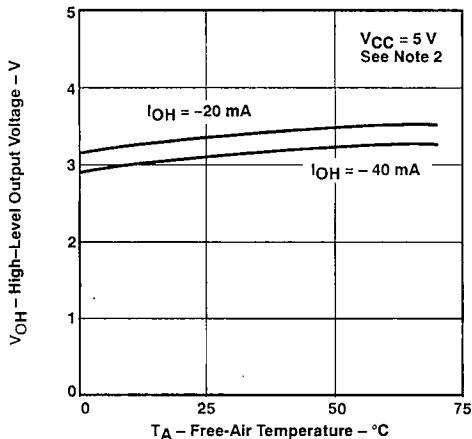


Figure 6

HIGH-LEVEL OUTPUT VOLTAGE
 vs
 HIGH-LEVEL OUTPUT CURRENT

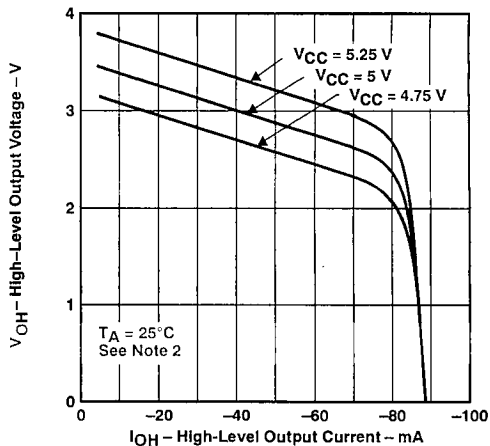


Figure 7

LOW-LEVEL OUTPUT VOLTAGE
 vs
 FREE-AIR TEMPERATURE

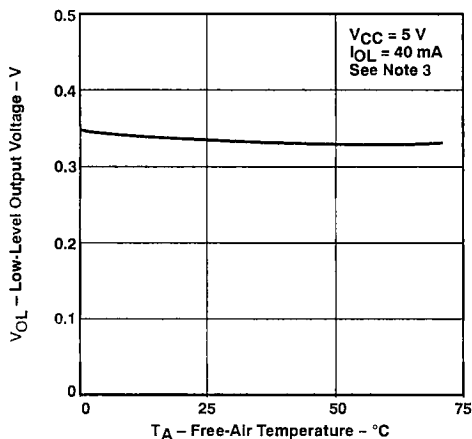


Figure 8

LOW-LEVEL OUTPUT VOLTAGE
 vs
 LOW-LEVEL OUTPUT CURRENT

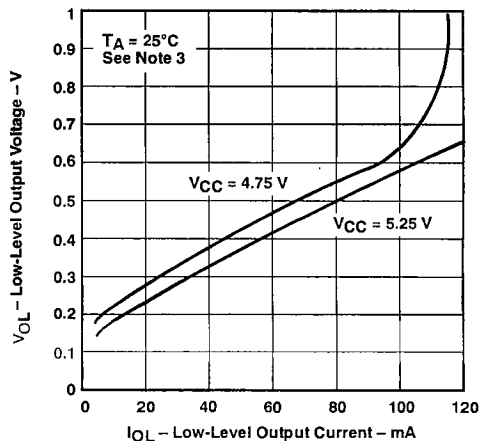


Figure 9

- NOTES: 2. The A input is connected to V_{CC} during the testing of the Y outputs and to ground during testing of the Z outputs.
 3. The A input is connected to ground during the testing of the Y outputs and to V_{CC} during the testing of the Z outputs.

AM26LS31C QUADRUPLE DIFFERENTIAL LINE DRIVER

TYPICAL CHARACTERISTICS

Y OUTPUT VOLTAGE
vs
DATA INPUT VOLTAGE

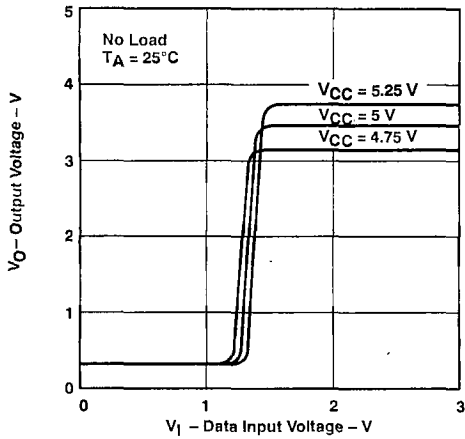


Figure 10

Y OUTPUT VOLTAGE
vs
DATA INPUT VOLTAGE

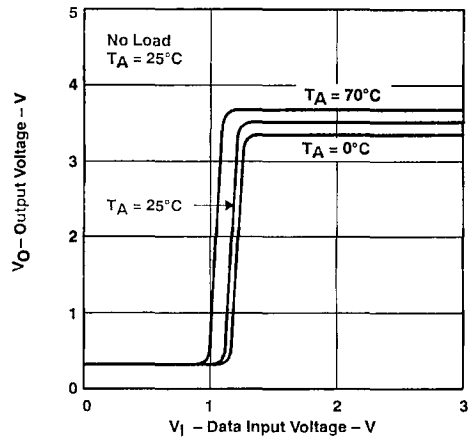


Figure 11

AM26LS32AC, AM26LS33AC, AM26LS32AM, AM26LS33AM QUADRUPLE DIFFERENTIAL LINE RECEIVERS

D2434, OCTOBER 1980—REVISED SEPTEMBER 1986

- **AM26LS32A Meets EIA Standards**
RS-422-A and RS-423-A
- **AM26LS32A Has ± 7 -V Common-Mode**
Range With ± 200 -mV Sensitivity
- **AM26LS33A Has ± 15 -V Common-Mode**
Range With ± 500 mV Sensitivity
- Input Hysteresis . . . 50 mV Typical
- Operates From a Single 5-V Supply
- Low-Power Schottky Circuitry
- 3-State Outputs
- Complementary Output Enable Inputs
- Input Impedance . . . 12 k Ω Min
- Designed to Be Interchangeable With
Advanced Micro Devices AM26LS32C and
AM26LS33C

description

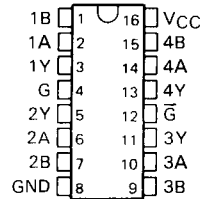
The AM26LS32A and AM26LS33A are quadruple line receivers for balanced and unbalanced digital data transmission. The enable function is common to all four receivers and offers a choice of active-high or active-low input. Three-state outputs permit connection directly to a bus-organized system. Fail-safe design ensures that if the inputs are open, the outputs will always be high.

Compared to the AM26LS32C and the AM26LS33C, the AM26LS32A and AM26LS33A incorporate an additional stage of amplification to improve sensitivity. The input impedance has been increased resulting in less loading of the bus line. The additional stage has increased propagation delay; however, this will not affect interchangeability in most applications.

The AM26LS32AC and AM26LS33AC are characterized for operation from 0°C to 70°C. The AM26LS32AM and the AM26LS33AM are characterized for operation over the full military temperature range of -55°C to 125°C.

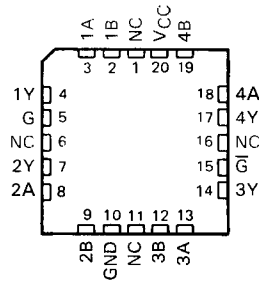
AM26LS32AC, AM26LS33AC . . . D, J, OR N PACKAGE
AM26LS32AM, AM26LS33AM . . . J PACKAGE

(TOP VIEW)



AM26LS32AM, AM26LS33AM . . . FK PACKAGE

(TOP VIEW)



NC—No internal connection

FUNCTION TABLE (EACH RECEIVER)

DIFFERENTIAL INPUT	ENABLES		OUTPUT
	G	\bar{G}	
$V_{ID} \geq V_{TH}$	H	X	H
	X	L	H
$V_{TL} \leq V_{ID} \leq V_{TH}$	H	X	?
	X	L	?
$V_{ID} \leq V_{TL}$	H	X	L
	X	L	L
X	L	H	Z

H = high level, L = low level, X = irrelevant
Z = high impedance (off), ? = indeterminate

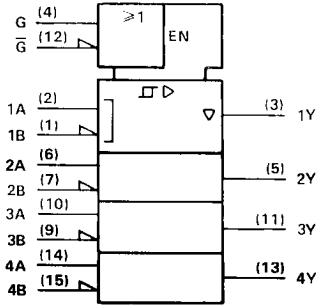
PRODUCTION DATA documents contain information current as of publication date. Products conform to specifications per the terms of Texas Instruments standard warranty. Production processing does not necessarily include testing of all parameters.



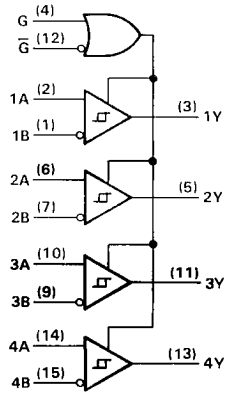
Copyright © 1986, Texas Instruments Incorporated

AM26LS32AC, AM26LS33AC, AM26LS32AM, AM26LS33AM QUADRUPLE DIFFERENTIAL LINE RECEIVERS

logic symbol†



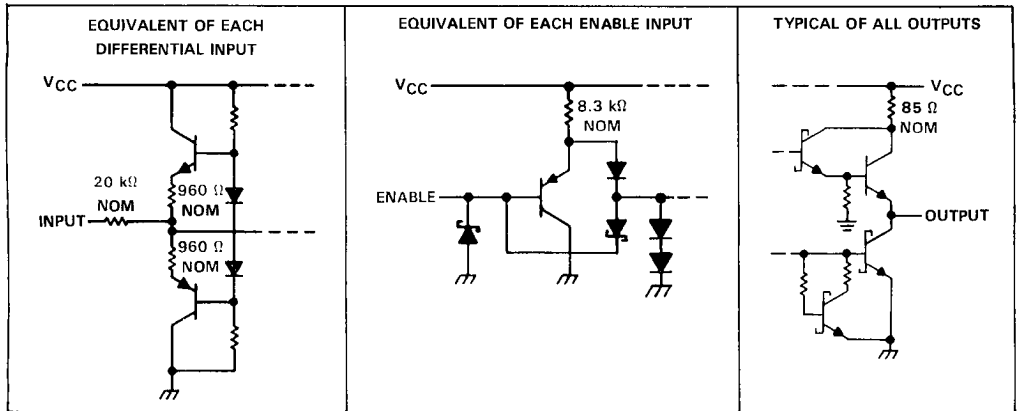
logic diagram (positive logic)



† This symbol is in accordance with ANSI/IEEE Std 91-1984 and IEC Publication 617-12.

Pin numbers shown are for D, J, and N packages.

schematics of inputs and outputs



AM26LS32AC, AM26LS33AC, AM26LS32AM, AM26LS33AM QUADRUPLE DIFFERENTIAL LINE RECEIVERS

absolute maximum ratings over operating free-air temperature range (unless otherwise noted)

		AM26LS32AC AM26LS33AC	AM26LS32AM AM26LS33AM	UNIT
Supply voltage, V_{CC} (see Note 1)		7	7	V
Input voltage, any differential input		± 25	± 25	V
Differential input voltage (see Note 2)		± 25	± 25	V
Continuous total power dissipation		See Dissipation Rating Table		
Operating free-air temperature range		0 to 70	-55 to 125	$^{\circ}\text{C}$
Storage temperature range		-65 to 150	-65 to 150	$^{\circ}\text{C}$
Lead temperature 1,6 mm (1/16 inch) from case for 10 seconds	D or N package	260		$^{\circ}\text{C}$
Case temperature for 60 seconds	FK package			$^{\circ}\text{C}$
Lead temperature 1,6 mm (1/16 inch) from case for 60 seconds	J package	300	300	$^{\circ}\text{C}$

- NOTES: 1. All voltage values, except differential voltages, are with respect to the network ground terminal.
2. Differential voltage values are at the noninverting (A) input terminals with respect to the inverting (B) input terminals.

DISSIPATION RATING TABLE

PACKAGE	$T_A \leq 25^{\circ}\text{C}$ POWER RATING	DERATING FACTOR ABOVE $T_A = 25^{\circ}\text{C}$	$T_A = 70^{\circ}\text{C}$ POWER RATING	$T_A = 125^{\circ}\text{C}$ POWER RATING
D	950 mW	7.6 mW/ $^{\circ}\text{C}$	608 mW	—
FK	1375 mW	11.0 mW/ $^{\circ}\text{C}$	880 mW	275 mW
J (C-SUFFIX)	1025 mW	8.2 mW/ $^{\circ}\text{C}$	656 mW	—
J (M-SUFFIX)	1375 mW	11.0 mW/ $^{\circ}\text{C}$	880 mW	275 mW
N	1150 mW	9.2 mW/ $^{\circ}\text{C}$	736 mW	—

recommended operating conditions

		AM26LS32AC AM26LS33AC			AM26LS32AM AM26LS33AM			UNIT	
		MIN	NOM	MAX	MIN	NOM	MAX		
Supply voltage, V_{CC}		4.75	5	5.25	4.5	5	5.5	V	
High-level input voltage, V_{IH}		2			2			V	
Low-level input voltage, V_{IL}		0.8			0.8			V	
Common-mode input voltage, V_{IC}	AM26LS32AC, AM26LS32AM	± 7			± 7			V	
	AM26LS33AC, AM26LS33AM	± 15			± 15				
High-level output current, I_{OH}		-440			-440			μA	
Low-level output current, I_{OL}		8			8			mA	
Operating free-air temperature, T_A		0			-55			125	$^{\circ}\text{C}$

AM26LS32AC, AM26LS33AC, AM26LS32AM, AM26LS33AM QUADRUPLE DIFFERENTIAL LINE RECEIVERS

electrical characteristics over recommended ranges of V_{CC} , V_{IC} , and operating free-air temperature (unless otherwise noted)

PARAMETER	TEST CONDITIONS		MIN	TYP†	MAX	UNIT
V_{TH} Differential input high-threshold voltage	$V_O = V_{OHmin}$, $I_{OH} = -440 \mu A$	AM26LS32A			0.2	V
		...			0.5	
V_{TL} Differential input low-threshold voltage	$V_O = 0.45 V$, $I_{OL} = 8 mA$...			-0.2‡	V
		AM26LS33A			-0.5‡	
V_{hys} Hysteresis, $V_{T+} - V_{T-}$ [§]				50		mV
V_{IK} Enable input clamp voltage	$V_{CC} = \dots$	$I_I = -18 mA$			-1.5	V
V_{OH} High-level output voltage	$V_{CC} = \dots$ $V_{I(G)} = 0.8 V$	$V_{ID} = 1 V$, $I_{OH} = -440 \mu A$	'32AC, '33AC		2.7	V
			'32AM, '33AM		2.5	
V_{OL} Low-level output voltage	$V_{CC} = MIN$, $V_{I(G)} = 0.8 V$	$V_{ID} = -1 V$, $I_{OL} = 8 mA$			0.4	V
					0.45	
I_{OZ} Off-state (high-impedance-state) output current	$V_{CC} = MAX$		$V_O = 2.4 V$		20	μA
			$V_O = 0.4 V$		-20	
I_I Line input current	$V_I = 15 V$, $V_I = -15 V$	Other input at $-10 V$ to $15 V$ Other input at $-15 V$ to $10 V$			1.2	mA
					-1.7	
$I_{I(EN)}$ Enable input current	$V_I = 5.5 V$				100	μA
I_{IH} High-level enable current	$V_I = 2.7 V$				20	μA
I_{IL} Low-level enable current	$V_I = 0.4 V$				-0.36	mA
r_i Input resistance	$V_{CC} = -15 V$ to $15 V$, One input to AC ground			12	15	k Ω
I_{OS} Short-circuit output current†	$V_{CC} = MAX$			-15	-85	mA
I_{CC} Supply current	$V_{CC} = MAX$, All outputs disabled			52	70	mA

† All typical values are at $V_{CC} = 5 V$, $T_A = 25^\circ C$, and $V_{IC} = 0$.

‡ The algebraic convention, where the less positive (more negative) limit is designated as minimum, is used in this data sheet for threshold levels only.

§ Hysteresis is the difference between the positive-going input threshold voltage, V_{T+} , and the negative-going input threshold voltage, V_{T-} . See Figures 10 and 11.

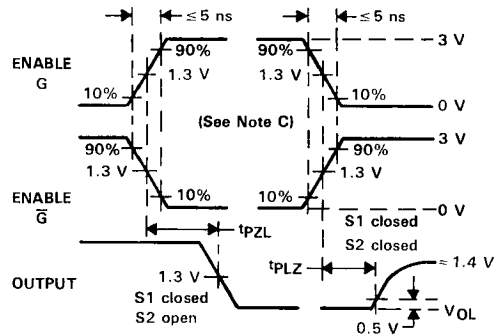
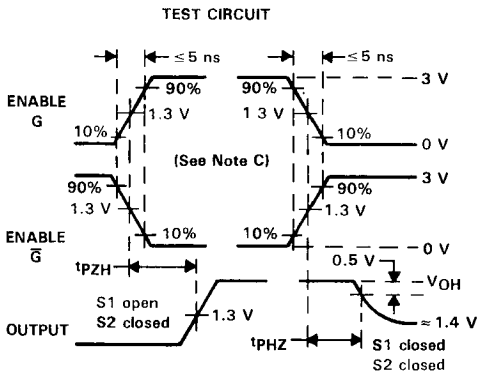
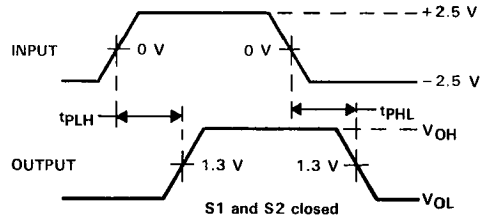
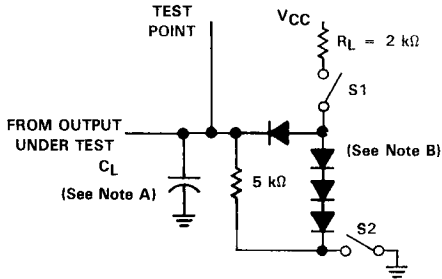
† Not more than one output should be shorted to ground at a time, and duration of the short circuit should not exceed one second.

switching characteristics, $V_{CC} = 5 V$, $T_A = 25^\circ C$

PARAMETER	TEST CONDITIONS	MIN	TYP	MAX	UNIT
t_{PLH} Propagation delay time, low-to-high-level output	$C_L = 15 pF$, See Figure 1		20	35	ns
t_{PHL} Propagation delay time, high-to-low-level output			22	35	
t_{PZH} Output enable time to high level	$C_L = 15 pF$, See Figure 1		17	22	ns
t_{PZL} Output enable time to low level			20	25	
t_{PHZ} Output disable time from high level	$C_L = 5 pF$, See Figure 1		21	30	ns
t_{PLZ} Output disable time from low level			30	40	

AM26LS32AC, AM26LS33AC, AM26LS32AM, AM26LS33AM QUADRUPLE DIFFERENTIAL LINE RECEIVERS

PARAMETER MEASUREMENT INFORMATION



- NOTES: A. C_L includes probe and jig capacitance.
 B. All diodes are 1N3064 or equivalent.
 C. Enable G is tested with \bar{G} high; \bar{G} is tested with G low.

FIGURE 1

AM26LS32AC, AM26LS33AC, AM26LS32AM, AM26LS33AM
QUADRUPLE DIFFERENTIAL LINE RECEIVERS

TYPICAL CHARACTERISTICS

HIGH-LEVEL OUTPUT VOLTAGE
 vs
 HIGH-LEVEL OUTPUT CURRENT

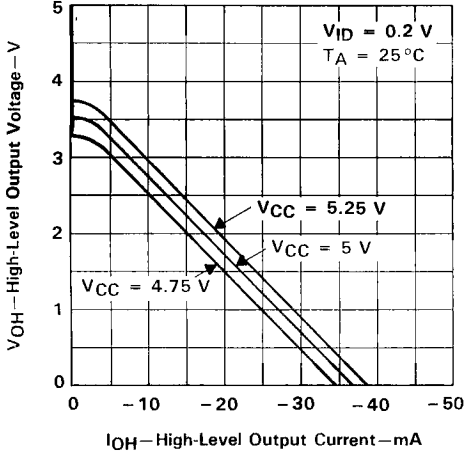


FIGURE 2

HIGH-LEVEL OUTPUT VOLTAGE
 vs
 FREE-AIR TEMPERATURE

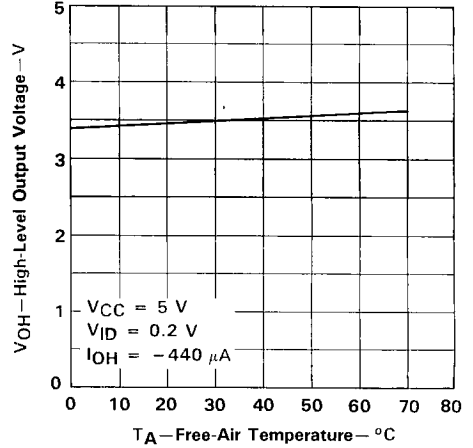


FIGURE 3

LOW-LEVEL OUTPUT VOLTAGE
 vs
 LOW-LEVEL OUTPUT CURRENT

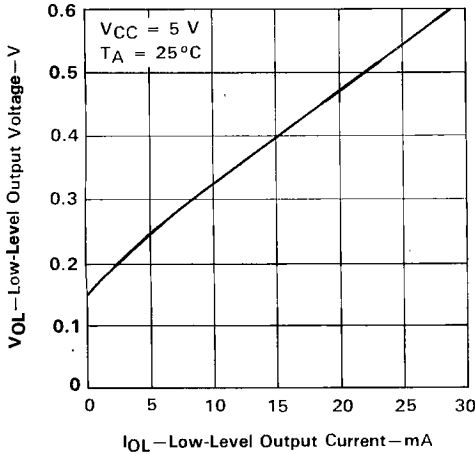


FIGURE 4

LOW-LEVEL OUTPUT VOLTAGE
 vs
 FREE-AIR TEMPERATURE

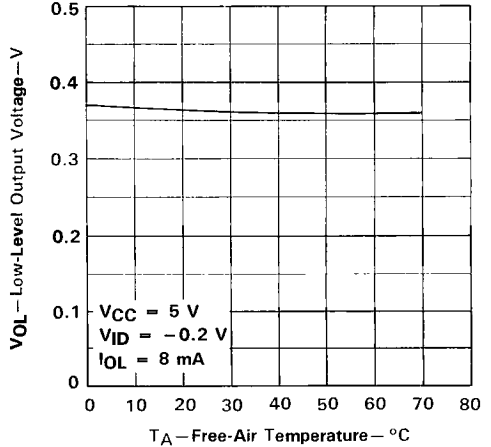


FIGURE 5

AM26LS32AC, AM26LS33AC, AM26LS32AM, AM26LS33AM QUADRUPLE DIFFERENTIAL LINE RECEIVERS

TYPICAL CHARACTERISTICS

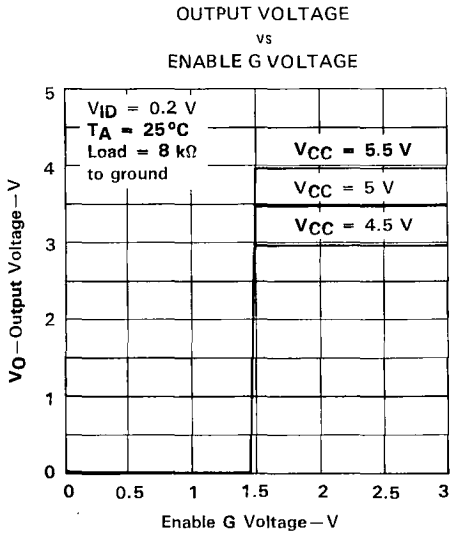


FIGURE 6

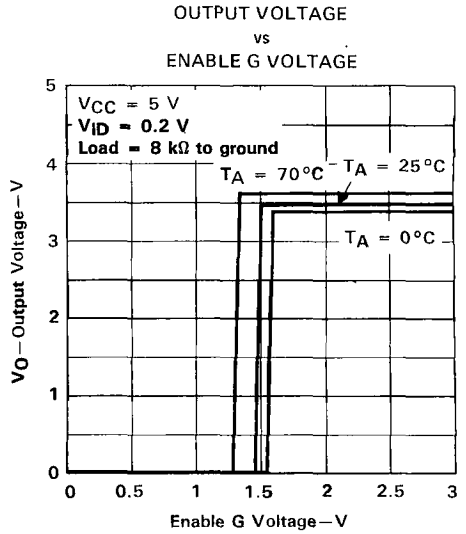


FIGURE 7

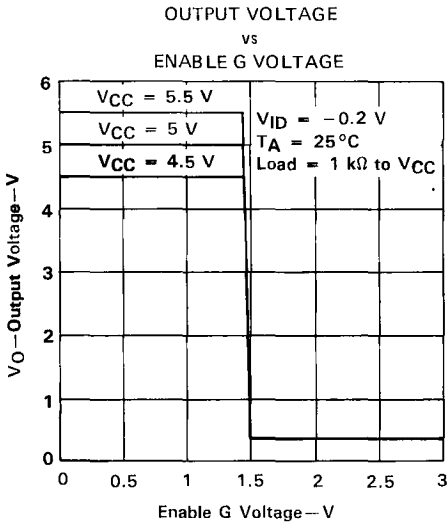


FIGURE 8

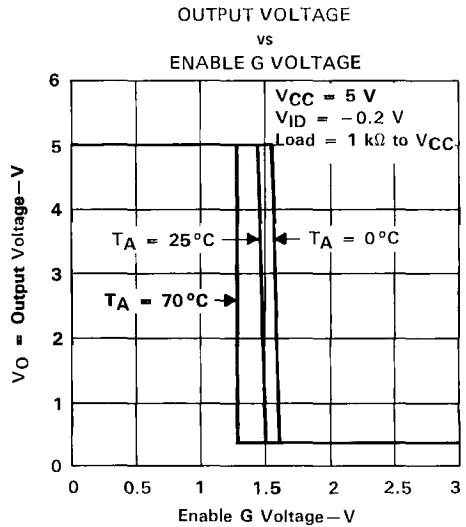
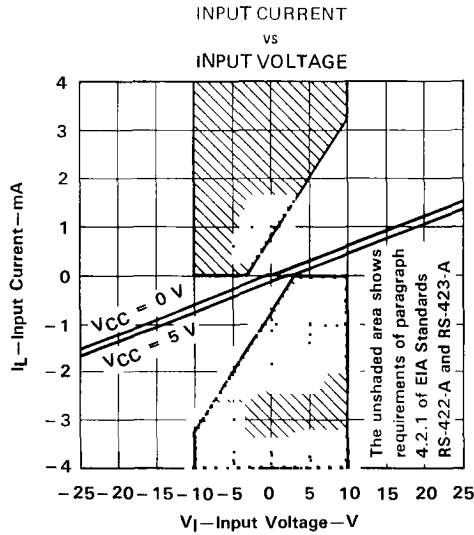
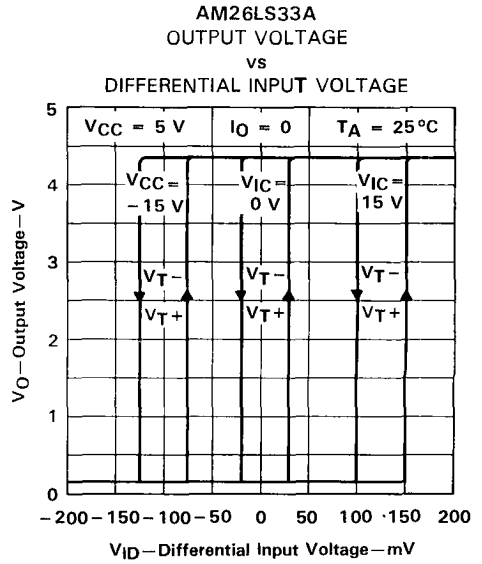
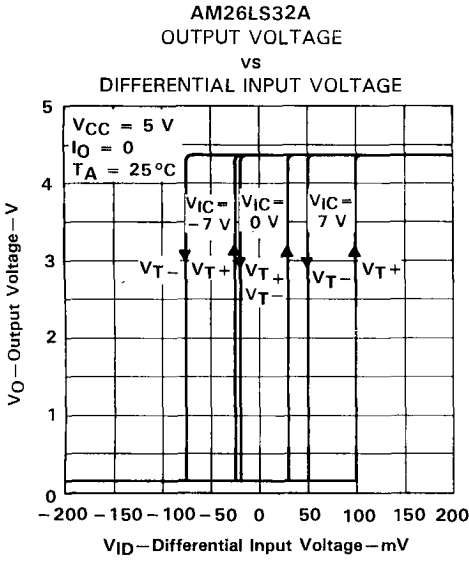


FIGURE 9

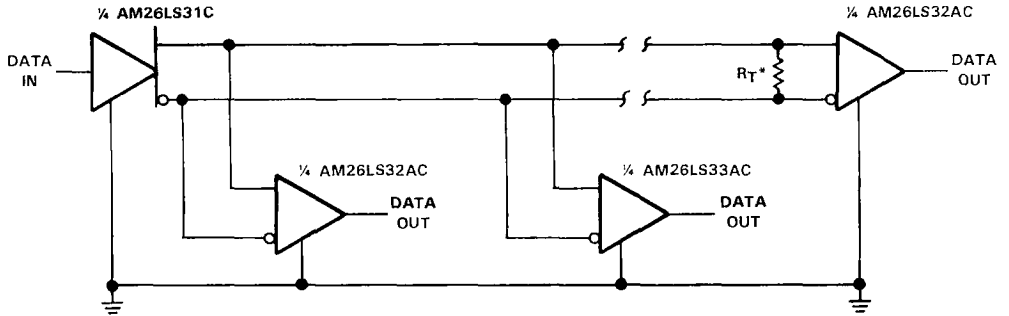
AM26LS32AC, AM26LS33AC, AM26LS32AM, AM26LS33AM QUADRUPLE DIFFERENTIAL LINE RECEIVERS

TYPICAL CHARACTERISTICS



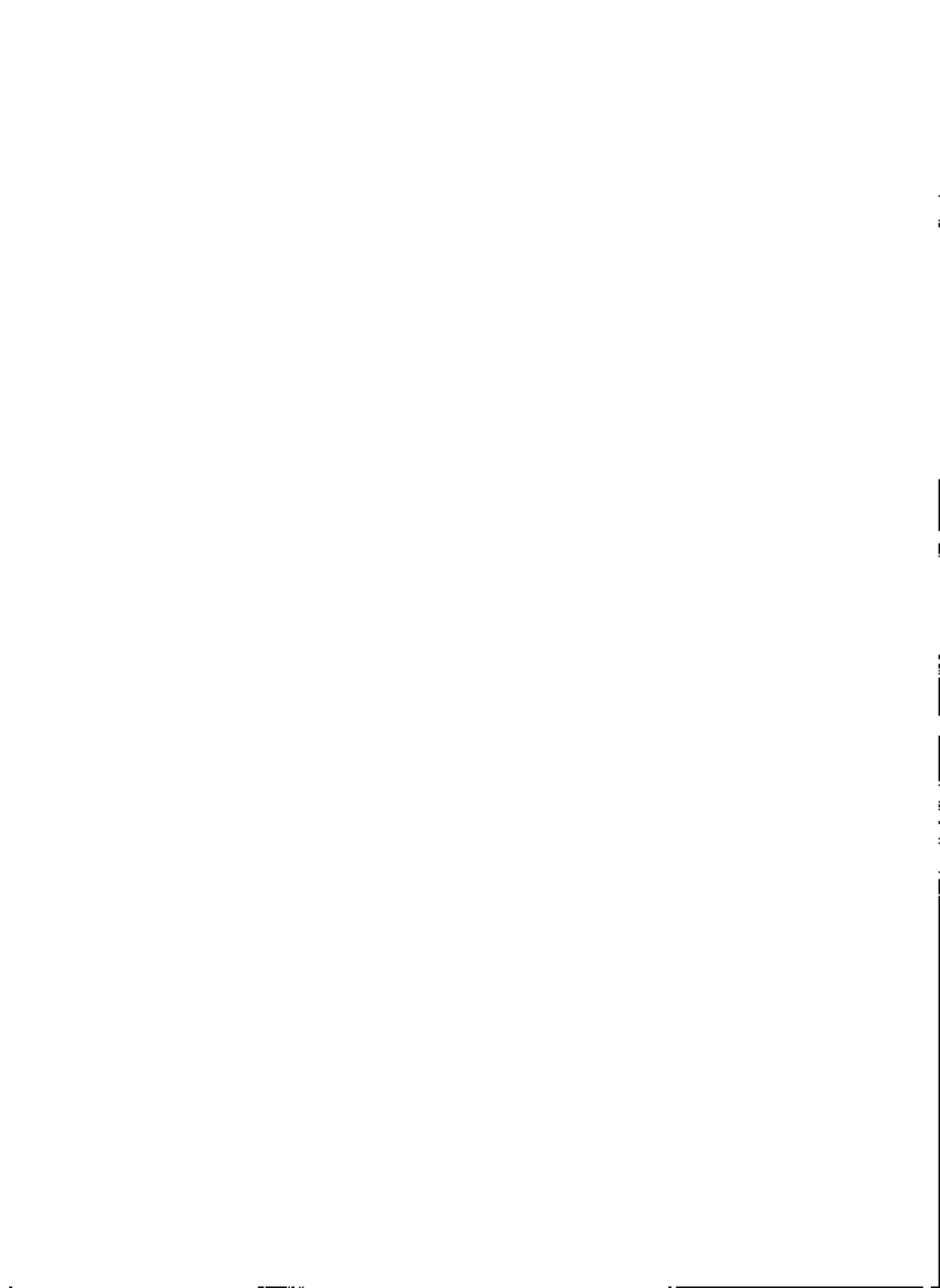
AM26LS32AM, AM26LS33AM, AM26LS32AC, AM26LS33AC QUADRUPLE DIFFERENTIAL LINE RECEIVERS

APPLICATION INFORMATION



* R_T equals the characteristic impedance of the line.

FIGURE 13. CIRCUIT WITH MULTIPLE RECEIVERS

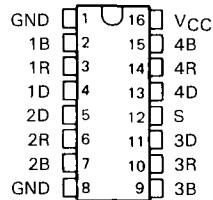


AM26S10C, AM26S11C QUADRUPLE BUS TRANSCEIVERS

D2298, JANUARY 1977—REVISED MAY 1990

- Schottky Circuitry for High Speed, Typical Propagation Delay Time . . . 12 ns
- Drivers Feature Open-Collector Outputs for Parity-Line (Data Bus) Operation
- Driver Outputs Can Sink 100 mA at 0.8 V Maximum
- P-N-P Inputs for Minimal Input Loading
- Designed to Be Interchangeable With Advanced Micro Devices AM26S10 and AM26S11

AM26S10C, AM26S11C . . . D, J, OR N PACKAGE
(TOP VIEW)



description

The AM26S10 and AM26S11 are quadruple bus transceivers utilizing Schottky-diode-clamped transistors for high speed. The drivers feature open-collector outputs capable of sinking 100 mA at 0.8 V maximum. The driver and strobe inputs use p-n-p transistors to reduce the input loading.

The driver of the AM26S10 is inverting; the driver of the AM26S11 is noninverting. Each device has two ground connections for improved ground current-handling capability. For proper operation, the ground pins should be tied together.

The AM26S10C and AM26S11C are characterized for operation over the temperature range of 0°C to 70°C.

AM26S10
FUNCTION TABLE
(TRANSMITTING)

INPUTS		OUTPUTS	
S	D	B	R
L	H	L	H
L	L	H	L

AM26S11
FUNCTION TABLE
(TRANSMITTING)

INPUTS		OUTPUTS	
S	O	B	R
L	H	H	L
L	L	L	H

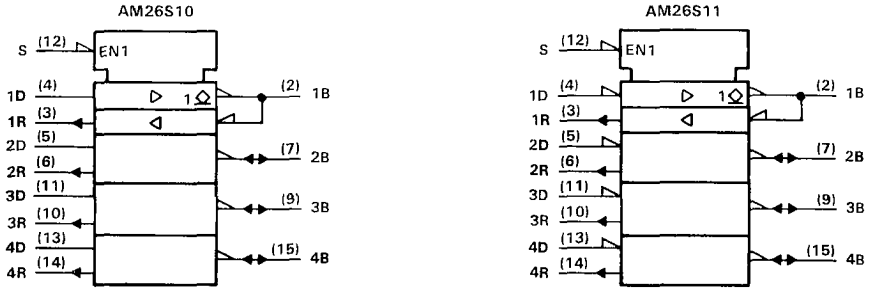
AM26S10 AND AM26S11
FUNCTION TABLE
(RECEIVING)

INPUTS			OUTPUT
S	B	D	R
H	H	X	L
H	L	X	H

H = high level, L = low level, X = irrelevant

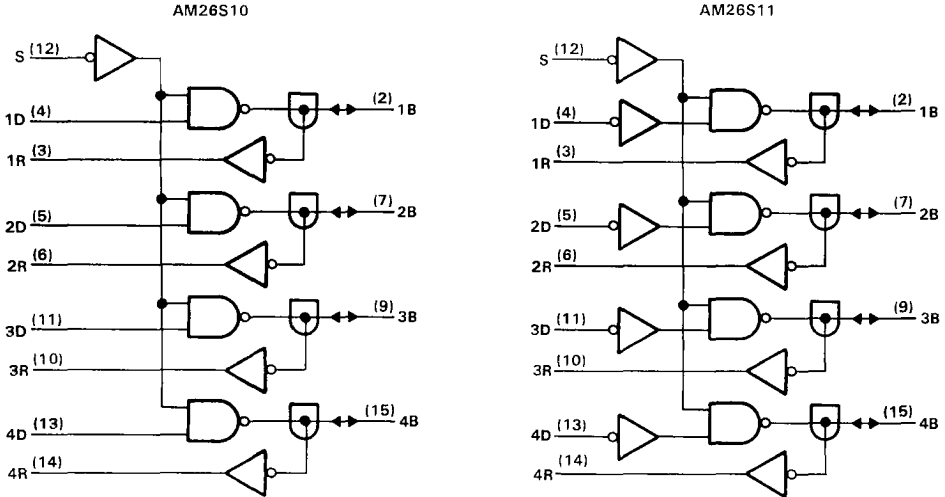
AM26S10C, AM26S11C QUADRUPLE BUS TRANSCEIVERS

logic symbols†



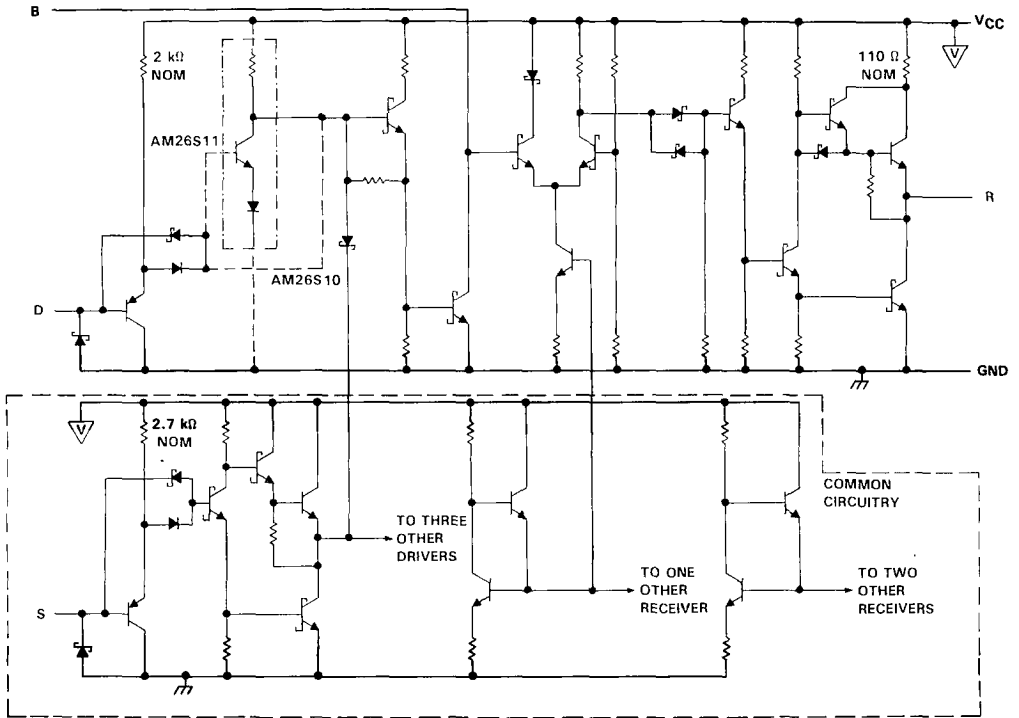
†These symbols are in accordance with ANSI/IEEE Std 91-1984 and IEC Publication 617-12.

logic diagrams (positive logic)



AM26S10C, AM26S11C QUADRUPLE BUS TRANSCEIVERS

schematic (each transceiver)



AM26S10C, AM26S11C QUADRUPLE BUS TRANSCEIVERS

absolute maximum ratings over operating free-air temperature range (unless otherwise noted)

Supply voltage range, V_{CC} (see Note 1)	-0.5 V to 7 V
Driver or strobe input voltage range	-0.5 V to 5.5 V
Bus voltage range, driver output off	-0.5 V to 5.25 V
Driver or strobe input current range	-30 mA to 5 mA
Driver output current	200 mA
Receiver output current	30 mA
Continuous total power dissipation	See Dissipation Rating Table
Operating free-air temperature range	0°C to 70°C
Storage temperature range	-65°C to 150°C
Lead temperature 1,6 mm (1/16 inch) from case for 60 seconds: J package	300°C
Lead temperature 1,6 mm (1/16 inch) from case for 10 seconds: D or N package	260°C

NOTE 1: All voltage values are with respect to network ground terminals connected together.

DISSIPATION RATING TABLE

PACKAGE	$T_A \leq 25^\circ\text{C}$	DERATING FACTOR	$T_A = 70^\circ\text{C}$
	POWER RATING	ABOVE $T_A = 25^\circ\text{C}$	POWER RATING
D	950 mW	7.6 mW/°C	736 mW
J	1025 mW	8.2 mW/°C	656 mW
N	1150 mW	9.2 mW/°C	736 mW

recommended operating conditions

		MIN	NOM	MAX	UNIT
Supply voltage, V_{CC}		4.75	5	5.25	V
High-level input voltage, V_{IH}	D or S	2			V
	B	2.25			
Low-level input voltage, V_{IL}	D or S	0.8			V
	B	1.75			
Receiver high-level output current, I_{QH}		-1			mA
Low-level output current, I_{DL}	Driver	100			mA
	Receiver	20			
Operating free-air temperature, T_A		0	70		°C

AM26S10C, AM26S11C QUADRUPLE BUS TRANSCEIVERS

electrical characteristics over recommended operating free-air temperature range (unless otherwise noted)

PARAMETER				TEST CONDITIONS			MIN	TYP [†]	MAX	UNIT	
V _{IK}	Input clamp voltage	D or S		V _{CC} = 4.75 V, I _I = -18 mA					-1.2	V	
V _{OH}	High-level output voltage	R		V _{CC} = 4.75 V, V _{IH} = 2 V, V _{IL} = 0.8 V, I _{OH} = -1 mA			2.7	3.4		V	
V _{OL}	Low-level output voltage	R B		V _{CC} = 4.75 V, V _{IH} = 2 V, V _{IL} = 0.8 V	I _{OL} = 20 mA				0.5	V	
					I _{OL} = 40 mA				0.33		0.5
					I _{OL} = 70 mA				0.42		0.7
					I _{OL} = 100 mA				0.51		0.8
I _{O(off)}	Off-state output current	B		V _{IH} = 2 V, V _{IL} = 0.8 V	V _{CC} = 5.25 V, V _O = 0.8 V				-50	μA	
					V _{CC} = 5.25 V, V _O = 4.5 V				100		
					V _{CC} = 0, V _O = 4.5 V				100		
I _{IH}	High-level input current	D		V _{CC} = 5.25 V, V _I = 2.7 V					30	μA	
		S							20		
I _I	Input current at maximum input voltage	D or S		V _{CC} = 5.25 V, V _I = 5.5 V					100	μA	
I _{IL}	Low-level input current	D		V _{CC} = 5.25 V, V _I = 0.4 V					-0.54	mA	
		S							-0.36		
I _{OS}	Short-circuit output current [‡]	R		V _{CC} = 5.25 V			-1B		-60	mA	
I _{CC}	Supply current			V _{CC} = 5.25 V, Strobe at 0 V, No load, All driver outputs low				45	70	mA	
									80		

[†]All typical values are at T_A = 25°C and V_{CC} = 5 V.

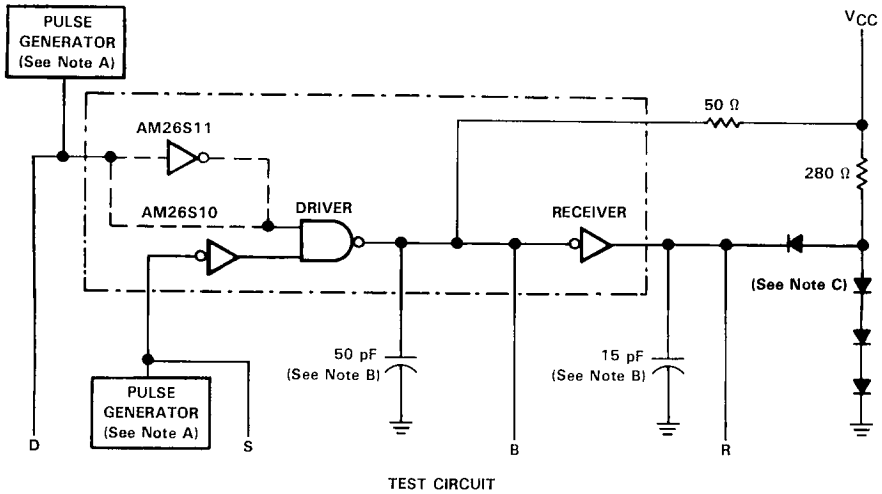
[‡]Not more than one output should be shorted to ground at a time, and duration of the short circuit should not exceed one second.

switching characteristics, V_{CC} = 5 V, T_A = 25°C

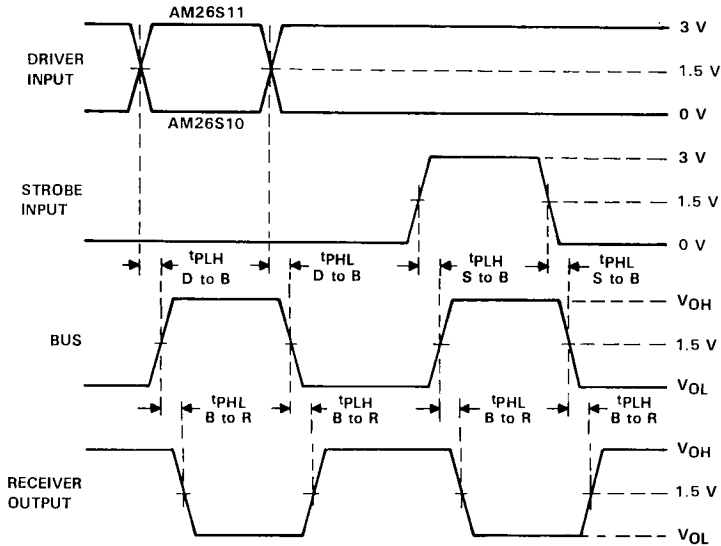
PARAMETER	FROM	TO	TEST CONDITIONS	AM26S10			AM26S11			UNIT
				MIN	TYP	MAX	MIN	TYP	MAX	
t _{PLH}	D	B	See Figure 1	10	15		12	19		ns
t _{PHL}				10	15		12	19		
t _{PLH}	S	B		14	18		15	20	ns	
t _{PHL}				13	18		14	20		
t _{PLH}	8	R		10	15		10	15	ns	
t _{PHL}				10	15		10	15		
t _{TLH}		B		4	10		4	10	ns	
t _{THL}				2	4		2	4		

**AM26S10C, AM26S11C
QUADRUPLE BUS TRANSCEIVERS**

PARAMETER MEASUREMENT INFORMATION



TEST CIRCUIT



VOLTAGE WAVEFORMS

- NOTES: A. The pulse generators have the following characteristics: $Z_o = 50 \Omega$, $t_r = 10 \pm 5$ ns.
 B. Includes probe and jig capacitance.
 C. All diodes are 1N916 or equivalent.

FIGURE 1



POST OFFICE BOX 655303 • DALLAS, TEXAS 75265

APPLICATION INFORMATION

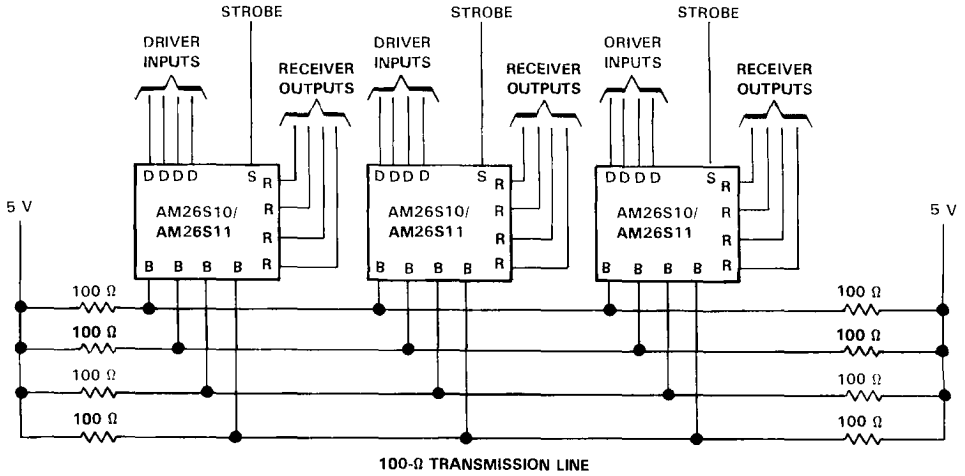
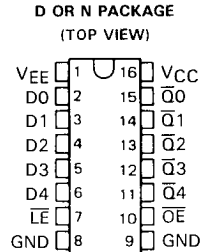


FIGURE 2. PARTY-LINE SYSTEM



- ECL Control Inputs
- 3-State Outputs
- 10K ECL Input Compatible
- Package Options Include Plastic "Small Outline" Package and Standard Plastic 300-mil DIPs
- Direct Replacement for National Semiconductor DP8480



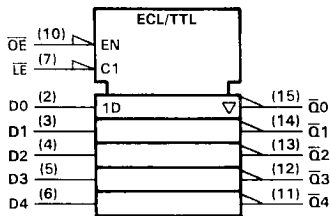
description

This circuit translates ECL input levels to TTL output levels and provides an inverting transparent latch. The 3-state outputs are designed to drive highly capacitive loads. All inputs operate at ECL levels.

If Latch Enable (\overline{LE}) is low, the latches are transparent and the \overline{Q} outputs follow the complement of the D inputs. If \overline{LE} is high, the outputs are latched. If output enable (\overline{OE}) is high, the outputs are in the high-impedance state, as they are during power up and power down.

The DP8480 is characterized for operation from 0°C to 75°C.

logic symbol†

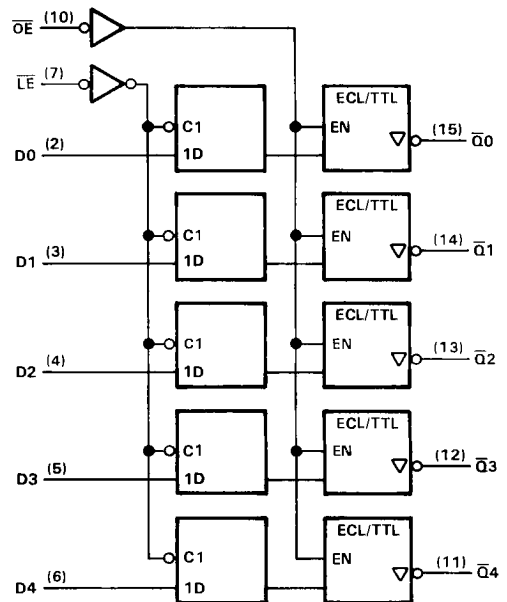


† This symbol is in accordance with ANSI/IEEE Std 91-1984 and IEC Publication 617-12.

FUNCTION TABLE
(EACH LATCH/TRANSLATOR)

\overline{OE}	\overline{LE}	D	\overline{Q}
H	X	X	Z
L	L	L	H
L	L	H	L
L	H	X	Q_0

logic diagram



DP8480

10K ECL-TO-TTL LEVEL TRANSLATOR WITH LATCH

absolute maximum ratings over operating free-air temperature range (unless otherwise noted)

Supply voltage, V_{CC}	7 V
Supply voltage, V_{EE}	-8 V
Input voltage, V_I	0 V to V_{EE}
Output voltage, V_O	5.5 V
Continuous total dissipation	See Dissipation Rating Table
Operating free-air temperature range	0°C to 75°C
Storage temperature range	-65°C to 150°C
Lead temperature 1,6 mm (1/16 inch) from case for 10 seconds	260°C

DISSIPATION RATING TABLE

PACKAGE	$T_A \leq 25^\circ\text{C}$	DERATING FACTOR	$T_A = 75^\circ\text{C}$
	POWER RATING	ABOVE $T_A = 25^\circ\text{C}$	POWER RATING
D	950 mW	7.6 mW/°C	570 mW
N	1150 mW	9.2 mW/°C	690 mW

recommended operating conditions

		MIN	NOM	MAX	UNIT
Supply voltage, V_{CC}		4.5	5	5.5	V
Supply voltage, V_{EE}		-4.68	-5.20	-5.72	V
High-level input voltage, V_{IH} (see Note 1)	$T_A = 0^\circ\text{C}$	-1145		-840	mV
	$T_A = 25^\circ\text{C}$	-1105		-810	
	$T_A = 75^\circ\text{C}$	-1045		-750	
Low-level input voltage, V_{IL} (see Note 1)	$T_A = 0^\circ\text{C}$	-1870		-1450	mV
	$T_A = 25^\circ\text{C}$	-1850		-1475	
	$T_A = 75^\circ\text{C}$	-1800		-1450	
Pulse duration, \overline{LE} low, t_W (see Figure 1)		0			ns
Setup time, data before \overline{LE} , t_{SU} (see Figure 1)		3			ns
Hold time, data after \overline{LE} , t_H (see Figure 1)		3			ns
Operating free-air temperature, T_A		0		75	°C

NOTE 1: The algebraic convention, in which the least positive (most negative) value is designated minimum, is used in this data sheet for logic levels only.

electrical characteristics over recommended ranges of supply voltages and operating free-air temperature (unless otherwise noted)

PARAMETER	TEST CONDITIONS	MIN	TYP [†]	MAX	UNIT
V_{OH} High-level output voltage	$I_{OH} = -10$ mA	$V_{CC} - 2$			V
V_{OL} Low-level output voltage	$I_{OL} = 12$ mA		0.2	0.5	V
I_{IH} High-level input current	$V_{IH} = V_{IH}$ max		75	350	μA
I_{IL} Low-level input current	$V_{IL} = V_{IL}$ min		50	85	μA
I_{OHS} High-state short-circuit output current	$V_{OHS} = 0$, See Note 2	-70	-150		mA
I_{OLS} Low-state short-circuit output current	$V_{OLS} = 2.5$ V, See Note 2	70	150		mA
I_{OZ} High-impedance state output current	$V_O = 0$ to 5 V		± 1	± 50	μA
I_{CC} Supply current from V_{CC}	$V_I = V_{IL}$		16	35	mA
I_{EE} Supply current from V_{EE}	$V_I = V_{IL}$	-30		-50	mA

[†]Typical values are at $V_{CC} = 5$ V, $V_{EE} = -5.2$ V, $T_A = 25^\circ\text{C}$.

NOTE 2: During testing of I_{OHS} or I_{OLS} , only one output should be tested at a time and the current should be limited to a maximum of ± 120 mA.

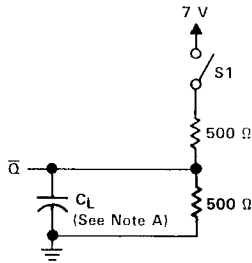
switching characteristics over recommended ranges of supply voltage and operating free-air temperature (unless otherwise noted)

PARAMETER		TEST CONDITIONS	MIN	TYP [†]	MAX	UNIT
tpLH	Propagation delay time, low-to-high-level output from \overline{LE} input	C _L = 50 pF, See Figure 1	4	10	15	ns
tpHL	Propagation delay time, high-to-low-level output from \overline{LE} input		4	11	15	ns
tpLH	Propagation delay time, low-to-high-level output from D input		3.5	10	15	ns
tpHL	Propagation delay time, high-to-low-level output from D input		3.5	11	15	ns
t _{en}	Output enable time from \overline{OE} input		6	12	25	ns
t _{dis}	Output disable time from \overline{OE} input		4.5	8	22	ns

[†]Typical values are at V_{CC} = 5 V, V_{EE} = -5.2 V, T_A = 25°C, and with all channels switched simultaneously.

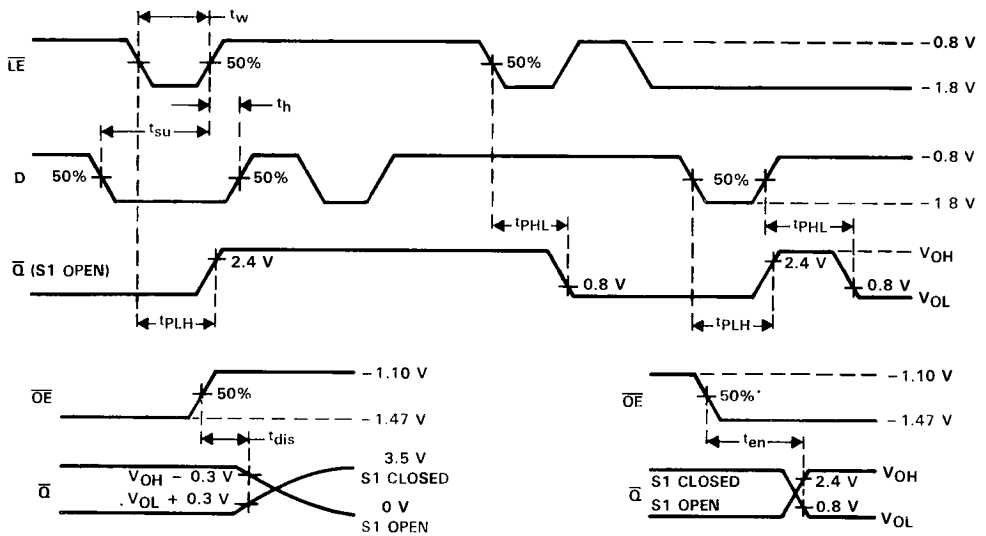
DP8480
10K ECL-TO-TTL LEVEL TRANSLATOR WITH LATCH

PARAMETER MEASUREMENT INFORMATION



OUTPUT LOAD CIRCUIT

NOTE A: C_L includes probe and jig capacitance.



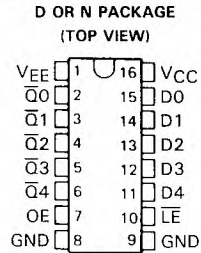
NOTE B: ECL input rise times and fall time are $2\text{ ns} \pm 0.2\text{ ns}$ from 20% to 80%.

FIGURE 1. SWITCHING CHARACTERISTICS

DP8481 TTL-TO-ECL (10K) LEVEL TRANSLATOR WITH LATCH

D3059, NOVEMBER 1987—REVISED AUGUST 1989

- ECL Control Inputs
- 10K ECL Compatible
- Propagation Delay . . . 4 ns Typ
- Package Options Include Plastic "Small Outline" Package and Standard Plastic 300-mil DIPs
- Direct Replacement for National Semiconductor DP8481



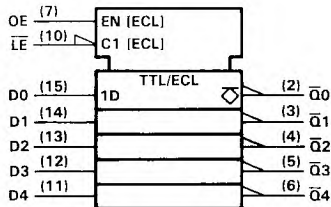
description

This circuit translates TTL input levels to ECL output levels and provides a 5-bit transparent latch. The outputs are gated by Output Enable (OE) and can be wire-OR connected. The Latch Enable (\overline{LE}) and OE inputs are ECL.

If Latch Enable (\overline{LE}) is low, the latches are transparent and the \overline{Q} outputs follow the complement of the D inputs. If \overline{LE} is high, the outputs are latched. If Output Enable (OE) is low, the outputs are forced to the low level.

The DP8481 is characterized for operation from 0°C to 75°C.

logic symbol†

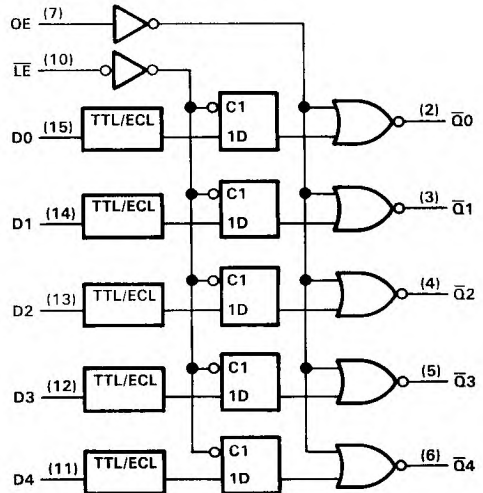


† This symbol is in accordance with ANSI/IEEE Std 91-1984 and IEC Publication 617-12.

FUNCTION TABLE
(EACH LATCH/TRANSLATOR)

OE	\overline{LE}	D	\overline{Q}
H	L	H	L
H	L	L	H
H	H	X	Q_0
L	X	X	L

logic diagram (positive logic)



DP8481 TTL-TO-ECL (10K) LEVEL TRANSLATOR WITH LATCH

absolute maximum ratings over operating free-air temperature range (unless otherwise noted)

Supply voltage, V_{CC}	7 V
Supply voltage, V_{EE}	-8 V
Input voltage, V_I : OE or \overline{LE} input	0 V to V_{EE}
D inputs	-1 V to 5.5 V
Output current, I_O	-50 mA
Continuous total dissipation	See Dissipation Rating Table
Operating temperature range, T_A	0°C to 75°C
Storage temperature range	-65°C to 150°C
Lead temperature 1,6 mm (1/16 inch) from case for 10 seconds	260°C

DISSIPATION RATING TABLE

PACKAGE	$T_A = 25^\circ\text{C}$	DERATING FACTOR	$T_A = 75^\circ\text{C}$
	POWER RATING	ABOVE $T_A = 25^\circ\text{C}$	POWER RATING
D	mW	7.6 mW/°C	mW
N	1150 mW	9.2 mW/°C	690 mW

recommended operating conditions

	MIN	NOM	MAX	UNIT
Supply voltage, V_{CC}	4.5	5	7	V
Supply voltage, V_{EE}	-4.68	-5.20	-6.72	V
High-level input voltage, V_{IH} (TTL-level D inputs)	2			V
Low-level input voltage, V_{IL} (TTL-level D inputs)				V
High-level input voltage, V_{IH} (ECL-level OE and \overline{LE} inputs) (see Note 1)	$T_A = 0^\circ\text{C}$	-1145	-840	mV
	$T_A = 25^\circ\text{C}$	-1105	-810	
	$T_A = 75^\circ\text{C}$	-1045	-750	
Low-level input voltage, V_{IL} (ECL-level OE and \overline{LE} inputs) (see Note 1)	$T_A = 0^\circ\text{C}$	-1475	-1175	mV
	$T_A = 25^\circ\text{C}$	-1435	-1135	
	$T_A = 75^\circ\text{C}$	-1375	-1075	
Pulse duration, \overline{LE} low, t_w	(see Figure 1)			ns
Setup time, t_{SU}	Data before \overline{LE}^\dagger	(see Figure 1)		ns
	Data before OE ‡ (see Note 2)	(see Figure 1)		
Hold time, data after \overline{LE}^\dagger , t_H	(see Figure 1)			ns
Operating free-air temperature, T_A	0	75		°C

- NOTES: 1. The algebraic convention, in which the least positive (most negative) value is designated minimum, is used in this data sheet for logic levels only.
2. This setup time applies when operating in the transparent mode (\overline{LE} is low) and it is necessary that valid data be available at the output immediately after the outputs are enabled.

DP8481
TTL-TO-ECL (10K) LEVEL TRANSLATOR WITH LATCH

electrical characteristics over recommended ranges of supply voltages and operating free-air temperature (unless otherwise noted)

PARAMETER		TEST CONDITIONS	MIN	TYP†	MAX	UNIT
V_{IK}	Input clamp voltage	D0-D4 $I_I = -12 \text{ mA}$	-0.8	-1.2		V
I_{IH}	High-level input current	D0-D4 $V_I = 2.5 \text{ V}$		1	40	μA
		OE, \overline{LE}			200	
I_{IL}	Low-level input current	D0-D4 $V_I = 0.5 \text{ V}$		-50		μA
		OE, \overline{LE}			100	
V_{OH}	High-level output voltage (see Notes 1 and 3)	$V_{EE} = -5.2 \text{ V}, T_A = 0^\circ\text{C}$	-		-840	mV
		$V_{EE} = -5.2 \text{ V}, T_A = 25^\circ\text{C}$	-		-810	
		$V_{EE} = -5.2 \text{ V}, T_A = 75^\circ\text{C}$	-900		-720	
V_{DHC}	Critical high-level output voltage (see Notes 1 and 3)	$V_{EE} = -5.2 \text{ V}, T_A = 0^\circ\text{C}$	-1020			mV
		$V_{EE} = -5.2 \text{ V}, T_A = 25^\circ\text{C}$	-980			
		$V_{EE} = -5.2 \text{ V}, T_A = 75^\circ\text{C}$	-			
V_{OL}	Low-level output voltage (see Notes 1 and 3)	$V_{EE} = -5.2 \text{ V}, T_A = 0^\circ\text{C}$	-		-	mV
		$V_{EE} = -5.2 \text{ V}, T_A = 25^\circ\text{C}$	-		-	
		$V_{EE} = -5.2 \text{ V}, T_A = 75^\circ\text{C}$	-1030		-1625	
V_{OLC}	Critical low-level output voltage (see Notes 1 and 3)	$V_{EE} = -5.2 \text{ V}, T_A = 0^\circ\text{C}$			-1645	mV
		$V_{EE} = -5.2 \text{ V}, T_A = 25^\circ\text{C}$			-1630	
		$V_{EE} = -5.2 \text{ V}, T_A = 75^\circ\text{C}$			-1605	
I_{CC}	Supply current from V_{CC}	$V_{CC} = 5.5 \text{ V}$			20	mA
I_{EE}	Supply current from V_{EE}	$V_{EE} = -5.7 \text{ V}$			-90	mA

- NOTES: 1. The algebraic convention, in which the least positive (most negative) value is designated one minimum, is used in this data sheet for logic levels only.
3. V_{OH} and V_{OL} are tested using the "outer-limit" values V_{IH} max and V_{IL} min. The "critical" values V_{OHC} and V_{OLC} are tested using the "inner-limit" values V_{IH} min and V_{IL} max. The latter values ensure the noise margins of 155 mV high and 125 mV low associated with 10K ECL.

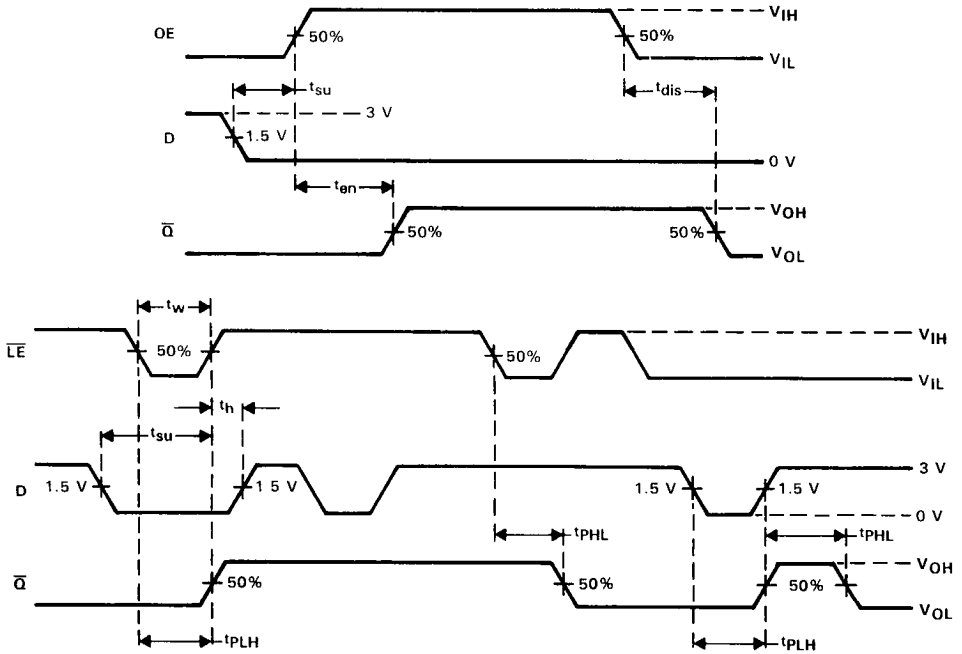
switching characteristics over recommended ranges of supply voltage and operating free-air temperature (unless otherwise noted)

PARAMETER		TEST CONDITIONS	MIN	TYP†	MAX	UNIT
t_{PLH}	Propagation delay time, low-to-high level output from \overline{LE} input	$R_L = 50 \Omega$ to -2 V , See Figure 1	1.5	4	6	ns
t_{PHL}	Propagation delay time, high-to-low-level output from \overline{LE} input		1.5	4	6	ns
t_{PLH}	Propagation delay time, low-to-high-level output from D input		2.5	4	7.5	ns
t_{PHL}	Propagation delay time, high-to-low-level output from D input		2.5	4	7.5	ns
t_{en}	Output enable time from DE input		1	3	4	ns
t_{dis}	Output disable time from OE input		1	3	4	ns

† Typical values are at $V_{CC} = 5 \text{ V}$, $V_{EE} = -5.2 \text{ V}$, $T_A = 25^\circ\text{C}$.

**DP8481
TTL-TO-ECL (10K) LEVEL TRANSLATOR WITH LATCH**

PARAMETER MEASUREMENT INFORMATION



NOTE A: ECL input rise and fall times at OE and \overline{LE} are 2 ns \pm 0.2 ns from 20% to 80%. TTL input rise and fall times at D inputs are 3 ns maximum measured between 10% and 90%.

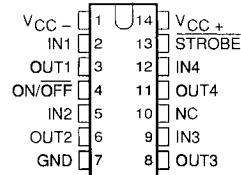
FIGURE 1. SWITCHING TIME WAVEFORMS

LT1030 QUAD LOW-POWER LINE DRIVER

D3297, APRIL 1989—REVISED JULY 1989

- Low Supply Voltage ... ± 5 V to ± 15 V
- Supply Current ... 500 μ A Typ
- Zero Supply Current When Shut Down
- Outputs Can Be Driven ± 30 V
- Output Open When Off (3-State)
- 10-mA Output Drive
- Output of Several Devices Can Be Paralleled
- Meets ANSI/EIA-232-D-1986 Specifications (Revision of EIA Std RS-232-C)
- Designed to Be Interchangeable With Linear Technology LT1030

LT1030 ... D OR N PACKAGE
(TOP VIEW)



NC — No internal connection

AVAILABLE OPTIONS

T _A	PACKAGE	
	SMALL OUTLINE (D)	PLASTIC DIP (N)
0°C to 70°C	LT1030CD	LT1030CN

The D package is available taped and reeled. Add the suffix R to the device type (i.e., LT1030CDR).

description

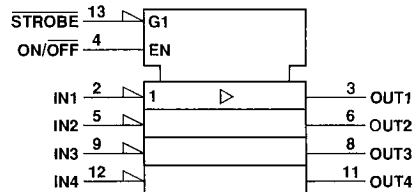
The LT1030 is an EIA-232 line driver that operates over a ± 5 -V to ± 15 -V supply voltage range on low supply current. The device can be shut down to zero supply current. Current-limiting fully protects the outputs from externally applied voltages of ± 30 V. Since the output swings to within 200 mV of the positive supply and to within 1 V of the negative supply, supply voltage requirements are minimized.

A major advantage of the LT1030 is the high-impedance output state when the device is off or powered down. This feature allows several different drivers on the same bus.

The device can be used as an EIA-232 driver, micropower interface, or level translator, among others.

The LT1030 is characterized for operation from 0°C to 70°C.

logic symbol†



†This symbol is in accordance with ANSI/IEEE Std 91-1984 and IEC Publication 617-12.

pin descriptions

NAME	PIN NO	DESCRIPTION
GND	7	Ground pin.
IN1, IN2, IN3, IN4	2, 5, 9, 12	Logic inputs. Operate properly on TTL or CMOS levels. Output valid from $V_I = V_{CC-} + 2$ V to 15 V. Connect to 5 V when not used.
ON/OFF	4	Shuts down entire circuit. Cannot be left open. For "normally on" operation, connect between 5 V and 10 V. If V_{IL} is at or near 0.8 V, significant settling time may be required.
OUT1, OUT2, OUT3, OUT4	3, 6, 8, 11	Line driver outputs.
STROBE	13	Forces all outputs low. Drive with 3 V. Strobe terminal input impedance is approximately 2 k Ω to GND. Leave open when not used.
V _{CC+}	14	Positive supply.
V _{CC-}	1	Negative supply.

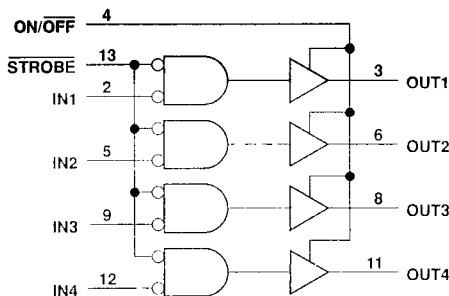
PRODUCTION INFORMATION: Documents contain information current as of publication date. Products conform to specifications unless otherwise noted. Texas Instruments standard warranty. Production processing does not necessarily include testing of all parameters.


TEXAS INSTRUMENTS
 POST OFFICE BOX 655303 • DALLAS, TEXAS 75265

Copyright © 1989, Texas Instruments Incorporated

LT1030 QUAD LOW-POWER LINE DRIVER

logic diagram



absolute maximum ratings over operating free-air temperature range (unless otherwise noted)

Supply voltage range, V_{CC+} (see Note 1)	0 V to 15 V
Supply voltage range, V_{CC-}	0 V to -15 V
Input voltage range, logic inputs	V_{CC-} to 25 V
Input voltage range, ON/OFF pin	0 V to 12 V
Output voltage range (any output)	$V_{CC+} - 30$ V to $V_{CC-} + 30$ V
Duration of output short-circuit at (or below) 25°C (to ± 30 V, see Note 2)	unlimited
Continuous total dissipation	See Dissipation Rating Table
Operating free-air temperature range, T_A	0°C to 70°C
Storage temperature range	-65°C to 150°C
Lead temperature 1,6 mm (1/16 inch) from case for 10 seconds	260°C

- NOTES: 1. All voltage values, except differential voltages, are with respect to the GND terminal.
 2. The output may be shorted to either supply. Temperature and/or supply voltages must be limited to ensure that the maximum dissipation rating is not exceeded.

DISSIPATION RATING TABLE

PACKAGE	$T_A \leq 25^\circ\text{C}$	DERATING FACTOR	
	POWER RATING	ABOVE $T_A = 25^\circ\text{C}$	$T_A = 70^\circ\text{C}$
D	950 mW	7.6 mW/°C	608 mW
N	1150 mW	9.2 mW/°C	736 mW

recommended operating conditions

	MIN	TYP	MAX	UNIT
Supply voltage, V_{CC+}	5		15	V
Supply voltage, V_{CC-}	-5		-15	V
High-level input voltage, V_{IH} (see Note 3)		2	15	V
Low-level input voltage, V_{IL} (see Note 3)			0.8	V
Operating free-air temperature, T_A	0		70	°C

NOTE 3: These V_{IH} and V_{IL} specifications apply only for inputs IN1-IN4. For operating levels for ON/OFF, see Figure 2.

electrical characteristics over operating free-air temperature range, $V_{CC\pm} = \pm 5\text{ V to } \pm 15\text{ V}$ (unless otherwise noted)

PARAMETER		TEST CONDITIONS		MIN	TYP†	MAX	UNIT
V_{OM+}	Maximum positive peak output voltage swing †	$I_O = -2\text{ mA}$,	$T_A = 25^\circ\text{C}$	$V_{CC+} - 0.3$		$V_{CC+} - 0.1$	V
V_{OM-}	Maximum negative peak output voltage swing	$I_O = 2\text{ mA}$,	$T_A = 25^\circ\text{C}$	$V_{CC-} + 0.9$		$V_{CC-} + 1.4$	V
I_{IH}	High-level input current	$V_I \geq 2\text{ V}$,	$T_A = 25^\circ\text{C}$		2	20	μA
I_{IL}	Low-level input current	$V_I \leq 0.8\text{ V}$,	$T_A = 25^\circ\text{C}$		10	20	μA
I_I	ON/OFF terminal current	$V_I = 0$			-0.1	-10	μA
		$V_I = 5\text{ V}$			30	65	
I_O	Output current	$T_A = 25^\circ\text{C}$		5		12	mA
I_{OZ}	Off-state output current	$V_O = \pm 30\text{ V}$,	$T_A = 25^\circ\text{C}$		± 2	± 100	μA
I_{CC}	Supply current (all outputs low)	$V_I \geq \text{at } 2.4\text{ V}$,	$I_O = 0$		500	1000	μA
$I_{CC(\text{off})}$	Off-state supply current	ON/OFF at 0.4 V				10	μA
		ON/OFF at 0.1 V				10	

operating characteristics, $V_{CC\pm} = \pm 5\text{ V to } \pm 15\text{ V}$, $T_A = 25^\circ\text{C}$

PARAMETER		TEST CONDITIONS		MIN*	TYP†	MAX	UNIT
SR	Driver slew rate	$R_L = 3\text{ k}\Omega$,	$C_L = 50\text{ pF}$	-	15	30	V/ μs

*All typical values are at $V_{CC\pm} = \pm 12\text{ V}$, $T_A = 25^\circ\text{C}$.

TYPICAL CHARACTERISTICS

MAXIMUM PEAK OUTPUT VOLTAGE SWING
 VS
 OUTPUT CURRENT

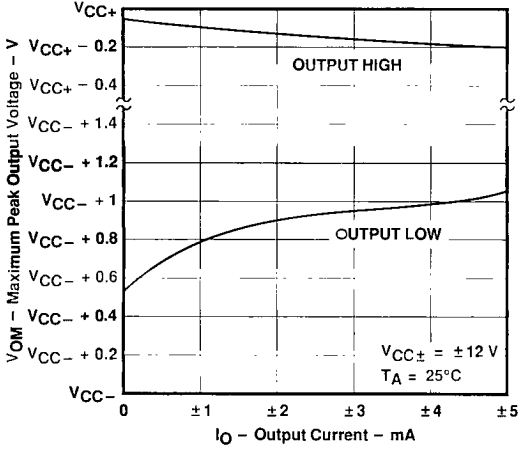


FIGURE 1

ON/OFF TERMINAL VOLTAGE
 VS
 FREE-AIR TEMPERATURE

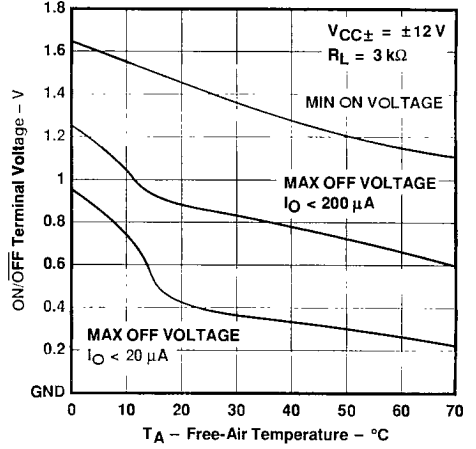


FIGURE 2

MAXIMUM PEAK OUTPUT VOLTAGE SWING
 VS
 FREE-AIR TEMPERATURE

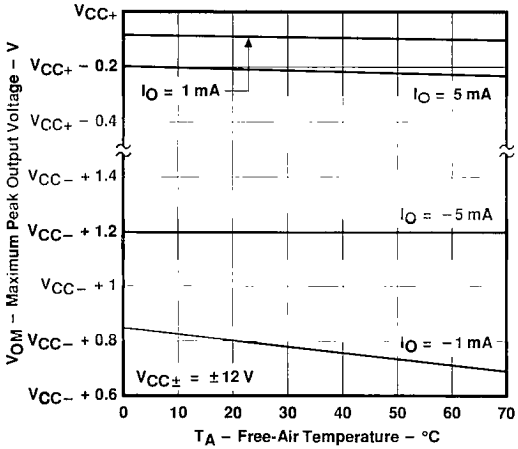


FIGURE 3

ON/OFF TERMINAL CURRENT
 VS
 ON/OFF TERMINAL VOLTAGE

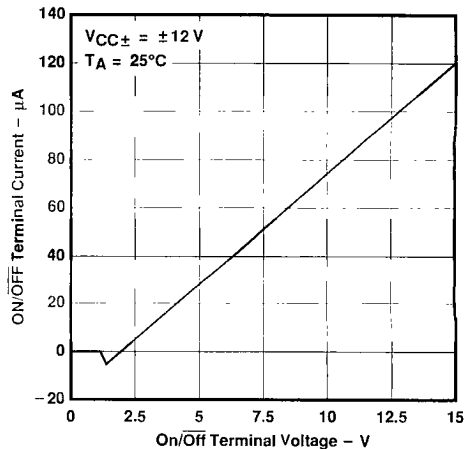


FIGURE 4

TYPICAL CHARACTERISTICS

OUTPUT CURRENT LIMIT
 VS
 FREE-AIR TEMPERATURE

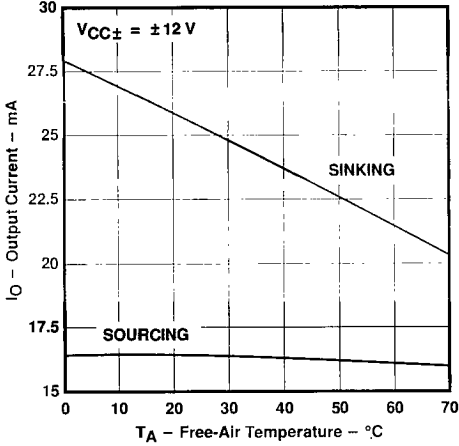


FIGURE 5

OFF-STATE OUTPUT CURRENT
 VS
 FREE-AIR TEMPERATURE

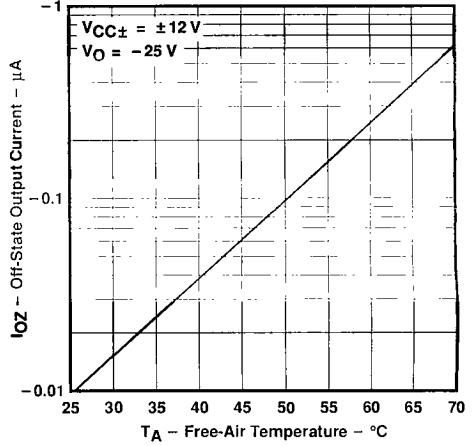


FIGURE 6

OFF-STATE SUPPLY CURRENT
 VS
 FREE-AIR TEMPERATURE

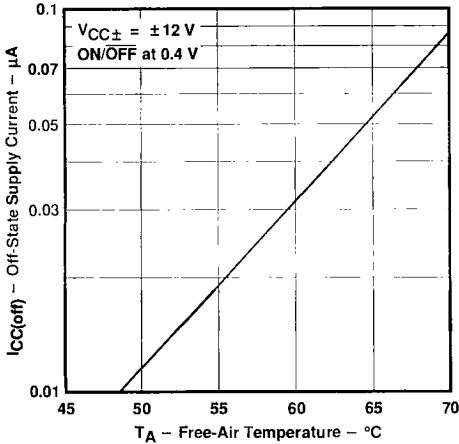


FIGURE 7

SUPPLY CURRENT
 VS
 SUPPLY VOLTAGE

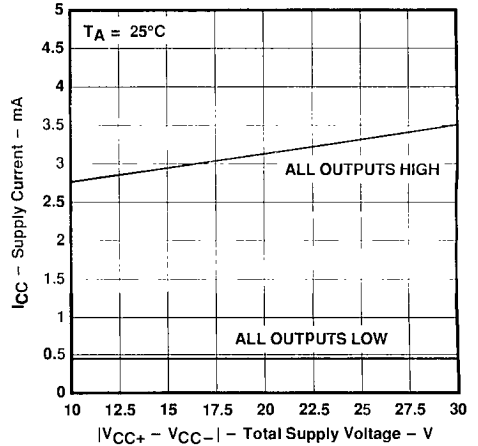


FIGURE 8

LT1030 QUAD LOW-POWER LINE DRIVER

TYPICAL CHARACTERISTICS

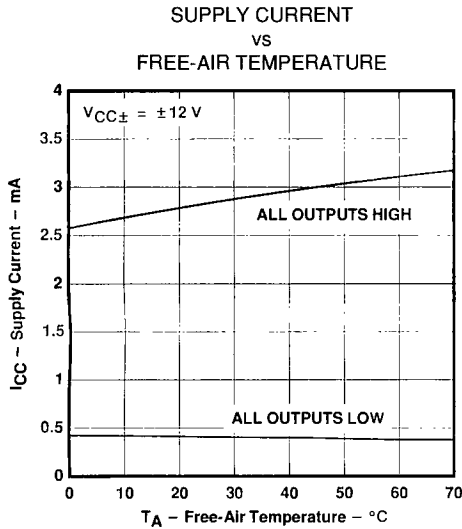


FIGURE 9

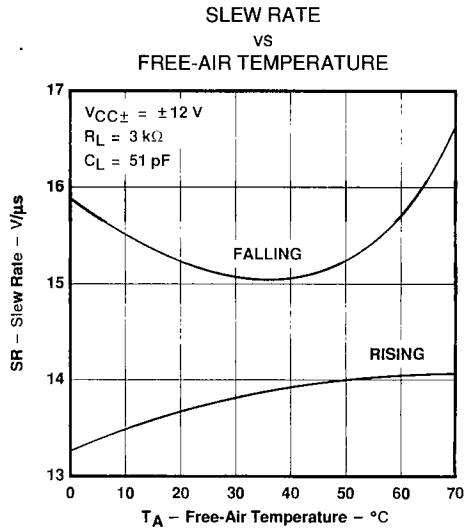


FIGURE 10

TYPICAL APPLICATION DATA

forward biasing the substrate

As with other bipolar integrated circuits, forward biasing the substrate diode can cause problems. The LT1030 will draw high current from V_{CC+} to ground if the V_{CC-} terminal is open-circuited or pulled above ground. If this is possible, connecting a diode from V_{CC-} to ground will prevent the high-current state. Any low-cost diode can be used (see Figure 11).

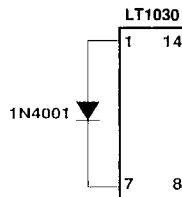


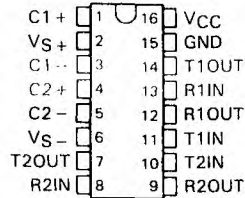
FIGURE 11. CONNECTING A DIODE
FROM V_{CC-} TO GROUND

MAX232 DUAL EIA-232 DRIVER/RECEIVER

D3120, FEBRUARY 1989—REVISED JUNE 1989

- Operates with Single 5-V Power Supply
- LinBiCMOS™ Process Technology
- Two Drivers and Two Receivers
- ±30-V Input Levels
- Low Supply Current . . . 8 mA Typ
- Meets ANSI/EIA-232-D-1986 Specifications (Revision of EIA Standard RS-232-C)
- Designed to be Interchangeable with Maxim MAX232
- Applications
 - EIA-232 Interface
 - Battery-Powered Systems
 - Terminals
 - Modems
 - Computers

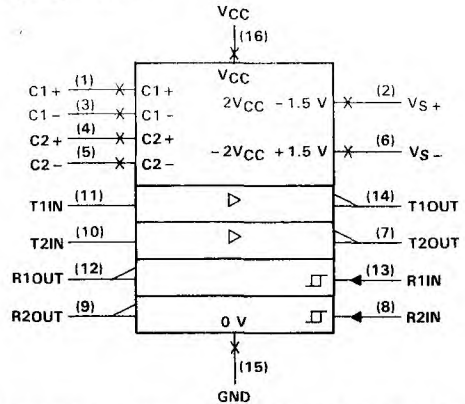
D OR N PACKAGE
(TOP VIEW)



description

The MAX232 is a dual driver/receiver that includes a capacitive voltage generator to supply EIA-232 voltage levels from a single 5-V supply. Each receiver converts EIA-232 inputs to 5-V TTL/CMOS levels. These receivers have a typical threshold of 1.3 V and a typical hysteresis of 0.5 V, and can accept ±30-V inputs. Each driver converts TTL/CMOS input levels into EIA-232 levels. The driver, receiver, and voltage-generator functions are available as cells in the Texas Instruments LinASIC™ library.

logic symbol†



†This symbol is in accordance with ANSI/IEEE Std 91-1984 and IEC Publication 617-12.

absolute maximum ratings over operating free-air temperature range (unless otherwise noted)

Input supply voltage, VCC (see Note 1)	−0.3 V to 6 V
Positive output supply voltage, VS+	VCC − 0.3 V to 15 V
Negative output supply voltage, VS−	0.3 V to −15 V
Input voltage range: Driver	−0.3 V to VCC + 0.3 V
Receiver	±30 V
Output voltage range: T1OUT, T2OUT	VS− − 0.3 V to VS+ + 0.3 V
R1OUT, R2OUT	−0.3 V to VCC + 0.3 V
Short-circuit duration: VS+	30 s
VS−	30 s
T1OUT, T2OUT	unlimited
Operating free-air temperature range	0°C to 70°C
Storage temperature range	−65°C to 150°C
Lead temperature 1,6 mm (1/16 inch) from case for 10 seconds	260°C

NOTE 1: All voltage values are with respect to network ground terminal.

LinASIC and LinBiCMOS are trademarks of Texas Instruments Incorporated.

PRODUCTION DATA documents contain information current as of publication date. Products conform to specifications per the terms of Texas Instruments standard warranty. Production testing does not necessarily include testing of all parameters.



POST OFFICE BOX 655303 • DALLAS, TEXAS 75265

Copyright © 1989, Texas Instruments Incorporated

MAX232

DUAL EIA-232 DRIVER/RECEIVER

recommended operating conditions

	MIN	NOM	MAX	UNIT
Supply voltage, V_{CC}	4.5	5	5.5	V
High-level input voltage, V_{IH} (T1IN, T2IN)	2			V
Low-level input voltage, V_{IL} (T1IN, T2IN)			0.8	V
Receiver input voltage, R1IN, R2IN			± 30	V
Operating free-air temperature, T_A	0		70	$^{\circ}\text{C}$

electrical characteristics over recommended ranges of supply voltage and operating free-air temperature range (unless otherwise noted)

PARAMETER		TEST CONDITIONS	MIN	TYP [†]	MAX	UNIT
V_{OH}	High-level output voltage	T1OUT, T2OUT	$R_L = 3\text{ k}\Omega$ to GND	5	7	V
		R1OUT, R2OUT	$I_{OH} = -1\text{ mA}$	3.5		
V_{OL}	Low-level output voltage [‡]	T1OUT, R1OUT	$R_L = 3\text{ k}\Omega$ to GND	-7	-5	V
		T2OUT, R2OUT	$I_{OL} = 3.2\text{ mA}$		0.4	
V_{T+}	Receiver positive-going input threshold voltage	R1IN, R2IN	$V_{CC} = 5\text{ V}$, $T_A = 25^{\circ}\text{C}$	1.7	2.4	V
V_{T-}	Receiver negative-going input threshold voltage	R1IN, R2IN	$V_{CC} = 5\text{ V}$, $T_A = 25^{\circ}\text{C}$	0.8	1.2	V
V_{hys}	Input hysteresis	R1IN, R2IN	$V_{CC} = 5\text{ V}$	0.2	0.5	1
r_i	Receiver input resistance	R1IN, R2IN	$V_{CC} = 5\text{ V}$, $T_A = 25^{\circ}\text{C}$	3	5	7
r_o	Output resistance	T1OUT, T2OUT	$V_{S+} = V_{S-} = 0$, $V_O = \pm 2\text{ V}$	300		Ω
I_{OS}^{\S}	Short-circuit output current	T1OUT, T2OUT	$V_{CC} = 5.5\text{ V}$, $V_O = 0$	± 10		mA
I_{IS}	Short-circuit input current	T1IN, T2IN	$V_I = 0$			μA
I_{CC}	Supply current		$V_{CC} = 5.5\text{ V}$, All outputs open, $T_A = 25^{\circ}\text{C}$	8	10	mA

[†]All typical values are at $V_{CC} = 5\text{ V}$, $T_A = 25^{\circ}\text{C}$.

[‡]The algebraic convention, in which the least positive (most negative) value is designated minimum, is used in this data sheet for logic voltage levels only.

[§]Not more than one output should be shorted at a time.

switching characteristics, $V_{CC} = 5\text{ V}$, $T_A = 25^{\circ}\text{C}$

PARAMETER	TEST CONDITIONS	MIN	TYP	MAX	UNIT
$t_{PLH(R)}$	Receiver propagation delay time, low-to-high-level output	See Figure 2	500		ns
$t_{PHL(R)}$	Receiver propagation delay time, high-to-low-level output	See Figure 2	500		ns
SR	Driver slew rate	$R_L = 3\text{ k}\Omega$ to $7\text{ k}\Omega$, See Figure 3		30	V/ μs
SR(tr)	Driver transition region slew rate	See Figure 4	3		V/ μs

TYPICAL APPLICATION DATA

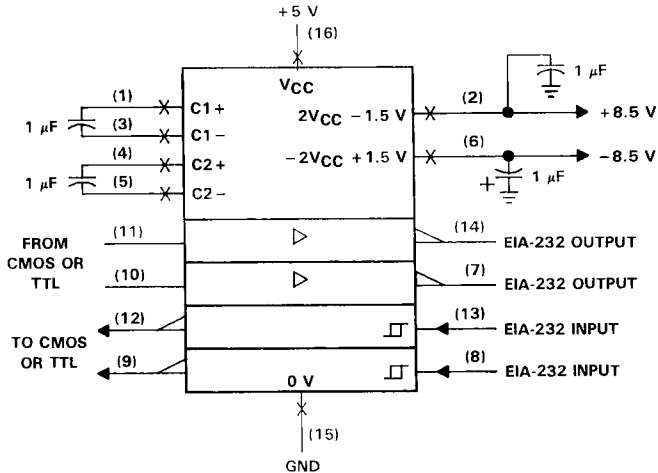
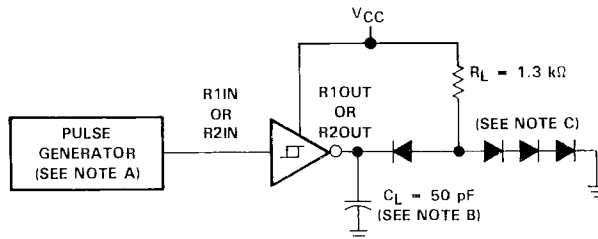
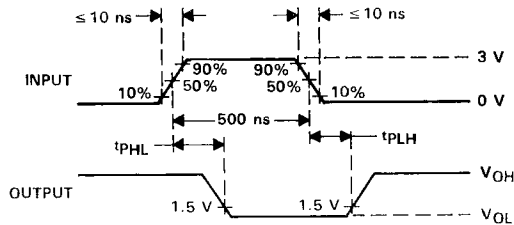


FIGURE 1. TYPICAL OPERATING CIRCUIT

PARAMETER MEASUREMENT INFORMATION



TEST CIRCUIT

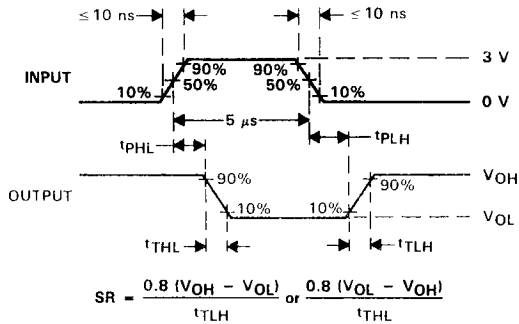
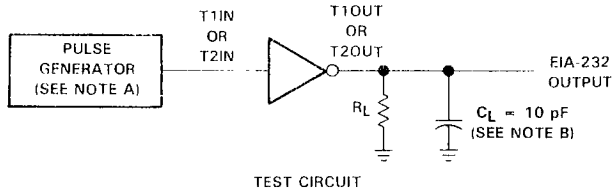


WAVEFORMS

- NOTES: A. The pulse generator has the following characteristics: $Z_{out} = 50 \Omega$, Duty Cycle $\leq 50\%$.
 B. C_L includes probe and jig capacitance.
 C. All diodes are 1N3064 or equivalent.

FIGURE 2. RECEIVER TEST CIRCUIT AND WAVEFORMS FOR t_{PHL} AND t_{PLH} MEASUREMENT

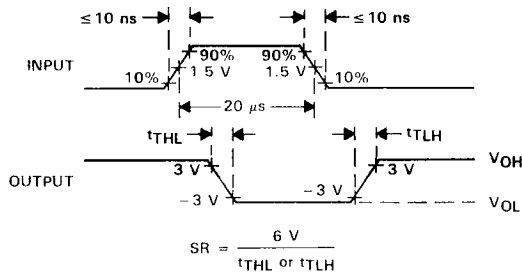
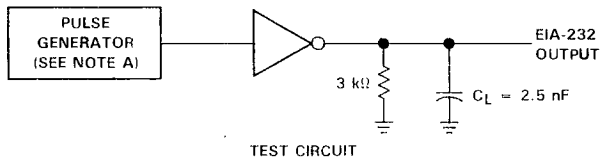
PARAMETER MEASUREMENT INFORMATION



WAVEFORMS

NOTES: A. The pulse generator has the following characteristics: $Z_{out} = 50 \Omega$, Duty Cycle $\leq 50\%$.
 B. C_L includes probe and jig capacitance.

FIGURE 3. DRIVER TEST CIRCUIT AND WAVEFORMS FOR t_{PHL} AND t_{PLH} MEASUREMENT (5- μ s INPUT)



WAVEFORMS

NOTE A: The pulse generator has the following characteristics: $Z_{OUT} = 50 \Omega$, Duty Cycle $\leq 50\%$

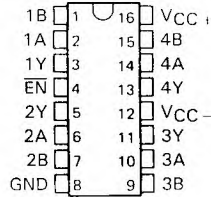
FIGURE 4. TEST CIRCUIT AND WAVEFORMS FOR t_{THL} AND t_{TLH} MEASUREMENT (20- μ s INPUT)

MC3450, MC3452 QUADRUPLE DIFFERENTIAL LINE RECEIVERS

D3006, FEBRUARY 1986—REVISED OCTOBER 1986

- Four Independent Receivers with Common Enable Input
- High Input Sensitivity . . . 25 mV Max
- High Input Impedance
- MC3450 has Three-State Outputs
- MC3452 has Open-Collector Outputs
- Glitch-Free Power-Up/Power-Down Operation

D, J, OR N PACKAGE
(TOP VIEW)



description

The MC3450 and MC3452 are quadruple differential line receivers designed for use in balanced and unbalanced digital data transmission. The MC3450 and MC3452 are the same except that the MC3450 has three-state outputs whereas the MC3452 has open-collector outputs, which permit the wire-AND function with similar output devices. Three-state and open-collector outputs permit connection directly to a bus-organized system.

The MC3450 and MC3452 are designed for optimum performance when used with either the MC3453 quadruple differential line driver or SN75109A, SN75110A, and SN75112 dual differential drivers.

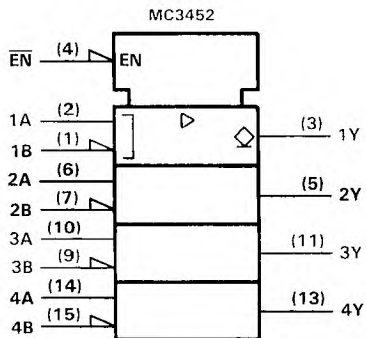
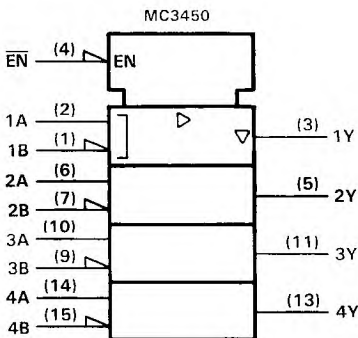
The MC3450 and MC3452 are characterized for operation from 0°C to 70°C.

FUNCTION TABLE

DIFFERENTIAL INPUTS A-B	ENABLE EN	OUTPUT Y
$V_{ID} \geq 25 \text{ mV}$	L	H
$-25 \text{ mV} < V_{ID} < 25 \text{ mV}$	L	?
$V_{ID} \leq 25 \text{ mV}$	L	L
X	H	Z

H = high level, L = low level, ? = indeterminate,
Z = impedance (off)

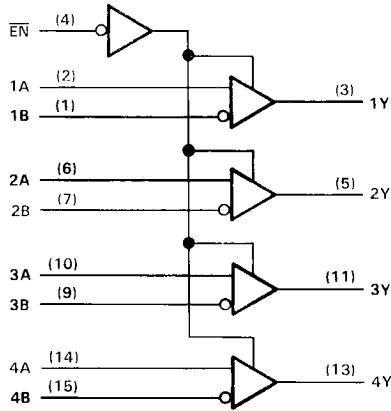
logic symbols†



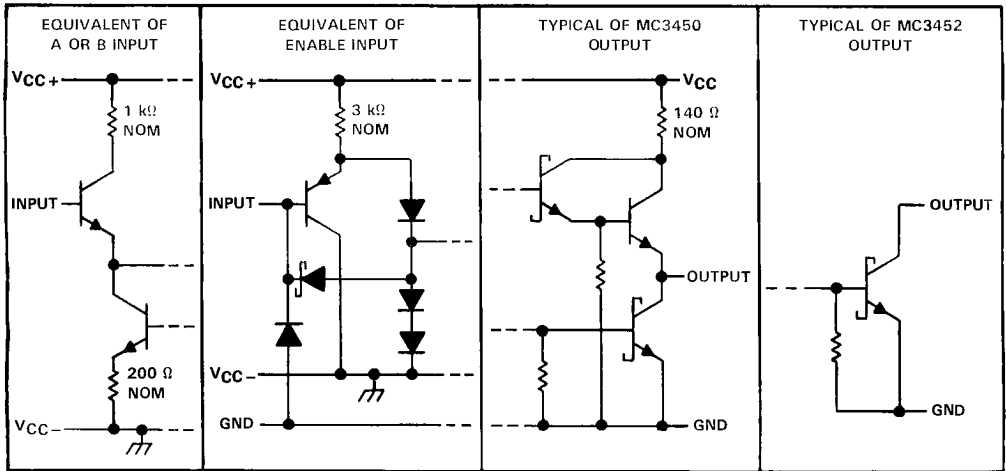
† These symbols are in accordance with ANSI/IEEE Std 91-1984 and IEC Publication 617-12.

MC3450, MC3452 QUADRUPLE DIFFERENTIAL LINE RECEIVERS

logic diagram (positive logic)



schematics of inputs and outputs



absolute maximum ratings over operating free-air temperature range (unless otherwise noted)

Supply voltage, V_{CC+} (see Note 1)	7 V
Supply voltage, V_{CC-}	-7 V
Differential input voltage (see Note 2)	± 6 V
Common-mode input voltage (see Note 3)	± 5 V
Enable input voltage	5.5 V
Continuous total dissipation at (or below) 25°C free-air temperature (see Note 4):	
D package	950 mW
J package	1025 mW
N package	1150 mW
Operating free-air temperature range	0°C to 70°C
Storage temperature range	-65°C to 150°C
Lead temperature 1,6 mm (1/16 inch) from case for 10 seconds: D or N package	260°C
Lead temperature 1,6 mm (1/16 inch) from case for 60 seconds: J package	300°C

- NOTES: 1. All voltage values, except differential input voltage, are with respect to network ground terminal.
 2. Differential input voltage is measured at the noninverting input with respect to the corresponding inverting input.
 3. Common-mode input voltage is the average of the voltages at the A and B inputs.
 4. For operation above 25°C free-air temperature, derate the D package to 608 mW at 70°C at the rate of 7.6 mW/°C, the J package to 656 mW at 70°C at the rate of 8.2 mW/°C, and the N package to 736 mW at 70°C at the rate of 9.2 mW/°C. In the J package, MC3450 and MC3452 chips are glass mounted.

recommended operating conditions

	MIN	NOM	MAX	UNIT
Supply voltage, V_{CC+}	4.75	5	5.25	V
Supply voltage, V_{CC-}	-4.75	-5	-5.25	V
High-level enable input voltage, V_{IH}	2			V
Low-level enable input voltage, V_{IL}			0.8	V
Low-level output current, I_{OL}			-16	mA
Differential input voltage, V_{ID} (see Note 5)	-5 [†]		5	V
Common-mode input voltage, V_{IC} (see Note 5)	-3 [†]		3	V
Input voltage range, any differential input to ground	-5 [†]		3	V
Operating free-air temperature, T_A	0		70	°C

[†] The algebraic convention, in which the less positive (more negative) limit is designated minimum, is used in this data sheet for common-mode input voltage.

NOTE 5: The recommended combinations of input voltages fall within the shaded area of Figure 1.

RECOMMENDED COMBINATIONS OF INPUT VOLTAGES

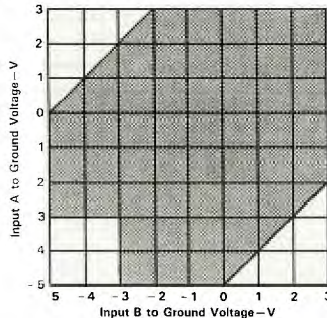


FIGURE 1

MC3450, MC3452

QUADRUPLE DIFFERENTIAL LINE RECEIVERS

electrical characteristics over recommended operating free-air temperature range, $V_{CC\pm} = \pm 5.25$ V (unless otherwise noted)

PARAMETER	TEST CONDITIONS	MIN		MAX		UNIT	
		MIN	TYP	MAX	MIN		TYP
I_{IH}	High-level input current	A inputs	$V_{ID} = -2$ V		30	75	μ A
		B inputs	$V_{ID} = -2$ V		30	75	
	\overline{EN}	$V_{IH} = 2.4$ V				40	μ A
		$V_{IH} = 5.25$ V				1	mA
I_{IL}	Low-level input current	A inputs	$V_{ID} = 2$ V		-10	-10	μ A
		B inputs	$V_{ID} = 2$ V		-10	-10	
	\overline{EN}	$V_{IL} = 0.4$ V				-1.6	mA
V_{OH}	High-level output voltage	$V_{CC\pm} = \pm 4.75$ V, $V_{ID} = 25$ mV, \overline{EN} at 0.8 V, $I_{OH} = -400$ μ A, $V_{IC} = -3$ V to 3 V		2.4			V
I_{OH}	High-level output current	$V_{CC\pm} = \pm 4.75$ V, $V_{OH} = 5.25$ V				250	μ A
V_{OL}	Low-level output voltage	$V_{CC\pm} = \pm 4.75$ V, $V_{ID} = -25$ mV, \overline{EN} at 2 V, $I_{OL} = 16$ mA, $V_{IC} = -3$ V to 3 V		0.5		0.5	V
I_{OZ}	High-impedance-state output current	$V_O = 2.4$ V		40		μ A	
		$V_O = 0.4$ V		-40			
I_{OS}	Short-circuit output current [‡]	$V_{ID} = 25$ mV, $V_O = 0$, \overline{EN} at 0.8 V		-18	-70	mA	
I_{CCH+}	Supply current from V_{CC+} , outputs high			60		60	mA
I_{CCH-}	Supply current from V_{CC-} , outputs high			-30		-30	mA

[†] All typical values are at $V_{CC+} = 5$ V, $V_{CC-} = -5$ V, $T_A = 25^\circ$ C.

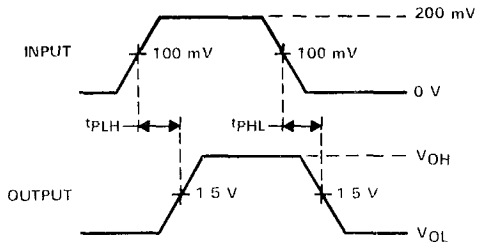
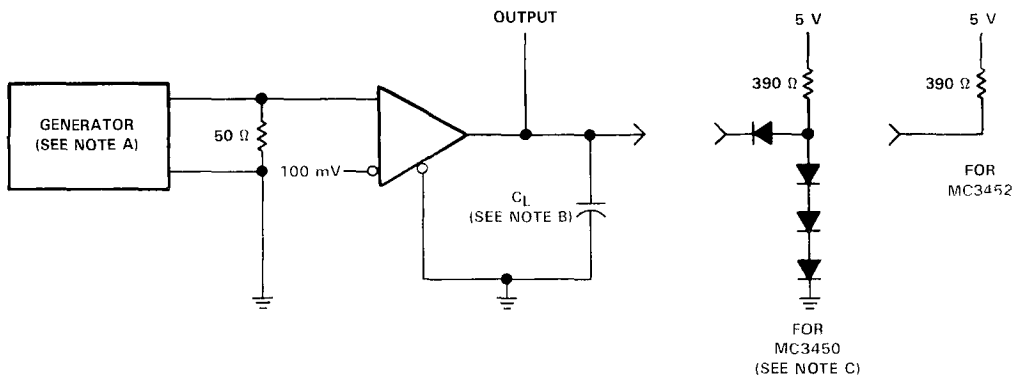
[‡] Not more one output should be shorted at a time.

switching characteristics, $V_{CC\pm} = \pm 5$ V, $T_A = 25^\circ$ C

PARAMETER	FROM (INPUT)	TO (OUTPUT)	TEST CONDITIONS	MC3450			UNIT
				MIN	TYP [†]	MAX	
t_{PLH}	A and B	Y	$C_L = 50$ pF, See Figure 2	17		25	ns
			$C_L = 15$ pF, See Figure 2			19	
t_{PHL}	A and B	Y	$C_L = 50$ pF, See Figure 2	17		25	ns
			$C_L = 15$ pF, See Figure 2			19	
t_{PZH}	\overline{EN}	Y	$C_L = 50$ pF, See Figure 2			21	ns
t_{PZL}	\overline{EN}	Y				27	
t_{PHZ}	\overline{EN}	Y	$C_L = 15$ pF, See Figure 3			18	ns
t_{PLZ}	\overline{EN}	Y				29	
t_{PLH}	\overline{EN}	Y	$C_L = 15$ pF, See Figure 4			25	ns
t_{PHL}	\overline{EN}	Y	$C_L = 15$ pF, See Figure 4			25	ns

[†] All typical values are at $V_{CC+} = 5$ V, $V_{CC-} = -5$ V, $T_A = 25^\circ$ C.

MC3450, MC3452 QUADRUPLE DIFFERENTIAL LINE RECEIVERS

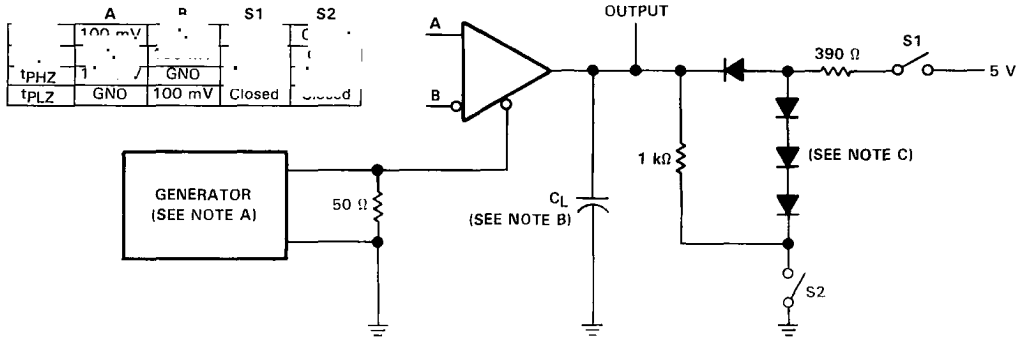


- NOTES: A. The input pulse is supplied by a generator having the following characteristics: PRR \leq 1 MHz, duty cycle = 50%, $t_r \leq$ 6 ns, $t_f \leq$ 6 ns.
 B. C_L includes probe and jig capacitance.
 C. All diodes are 1N916 or equivalent.

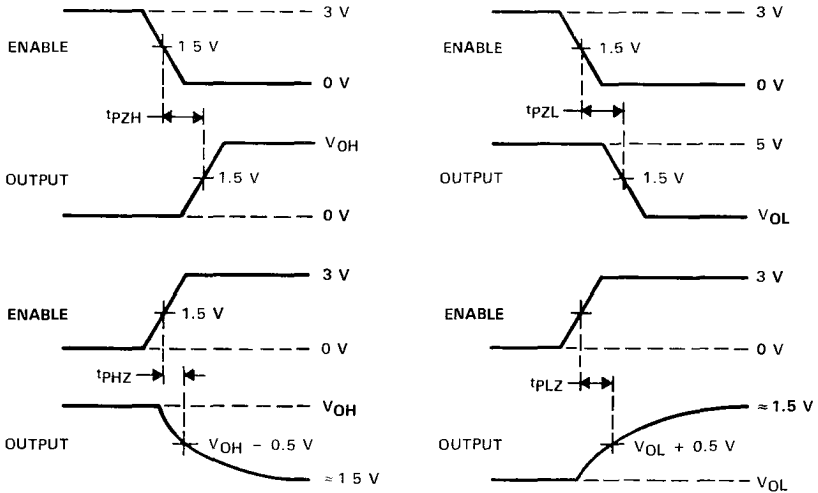
VOLTAGE WAVEFORMS

FIGURE 2. PROPAGATION DELAY TIMES

MC3450, MC3452 QUADRUPLE DIFFERENTIAL LINE RECEIVERS



TEST CIRCUIT

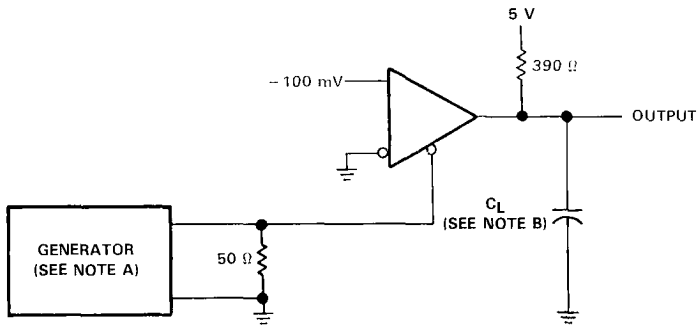


VOLTAGE WAVEFORMS

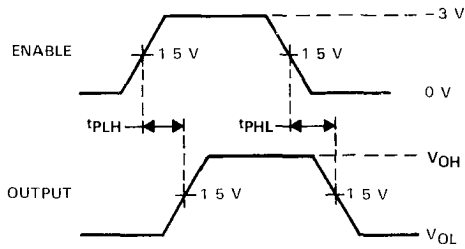
- NOTES: A. The input pulse is supplied by a generator having the following characteristics: PRR \leq 1 MHz, duty cycle = 50%, $t_r \leq$ 6 ns, $t_f \leq$ 6 ns.
 B. C_L includes probe and jig capacitance.
 C. All diodes are 1N916 or equivalent

FIGURE 3. MC3450 ENABLE AND DISABLE TIMES

MC3450, MC3452
QUADRUPLE DIFFERENTIAL LINE RECEIVERS



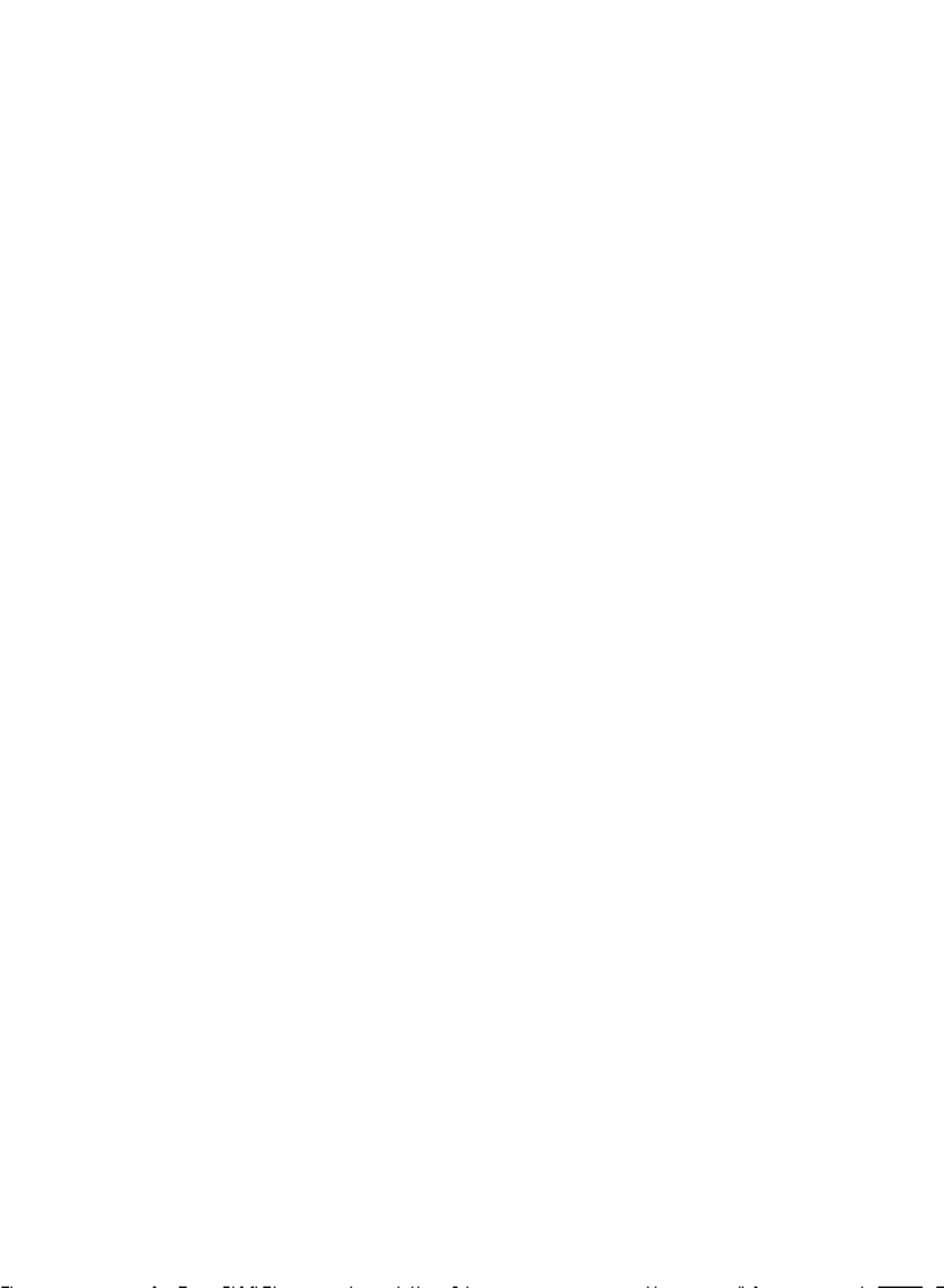
TEST CIRCUIT



VOLTAGE WAVEFORMS

- NOTES: A. The input pulse is supplied by a generator having the following characteristics: $\text{PRR} \leq 1\ \text{MHz}$, duty cycle = 50%, $t_r \leq 6\ \text{ns}$, $t_f \leq 6\ \text{ns}$.
 B. C_L includes probe and jig capacitance.

FIGURE 4. MC3452 PROPAGATION DELAY TIMES FROM ENABLE

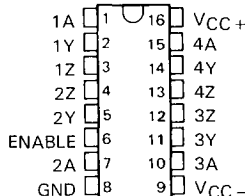


MC3453 QUADRUPLE LINE DRIVER WITH COMMON ENABLE

D3000, FEBRUARY 1986 - REVISED JULY 1990

- Similar to a Dual Version of SN75110A Line Driver
- Improved Stability Over Supply Voltage and Temperature Ranges
- Constant-Current Outputs
- High Output Impedance
- High Common-Mode Output Voltage Range (-3 V to 10 V)
- Glitch-Free Power-Up/Power-Down Operation
- TTL Input Compatibility
- Common Enable Circuit
- Designed to be Interchangeable with Motorola MC3453

D, J, OR N
DUAL-IN-LINE PACKAGE
(TOP VIEW)



FUNCTION TABLE

LOGIC INPUT	ENABLE INPUT	OUTPUT CURRENT	
		Z	Y
H	H	ON	OFF
L	H	OFF	ON
H	L	OFF	OFF
L	L	OFF	OFF

L = low logic level

H = high logic level

description

The MC3453 features four line drivers with a common enable input. When the enable input is high, a constant output current is switched between each pair of output terminals in response to the logic level at that channel's input. When the enable is low, all channel outputs are nonconductive (transistors biased to cutoff). This minimizes loading in party-line systems where a large number of drivers share the same line.

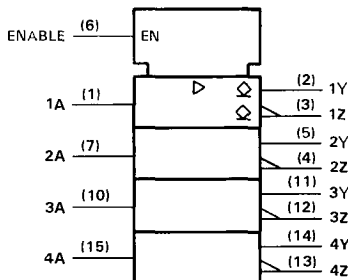
The driver outputs have a common-mode voltage range of -3 volts to 10 volts, allowing common-mode voltages on the line without affecting driver performance.

All outputs should be maintained within the recommended common-mode output voltage range to ensure that the channels do not interact with each other. To minimize power dissipation, all unused outputs should be grounded.

All inputs are diode clamped and are designed to satisfy TTL-system requirements. The inputs are tested at 2 volts for high-logic-level input conditions and 0.8 volt for low-logic-level input conditions. These tests guarantee 400 millivolts of noise margin when interfaced with Series 54/74 TTL.

The MC3453 is characterized for operation from 0°C to 70°C.

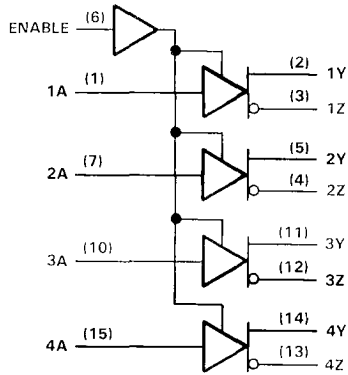
logic symbol†



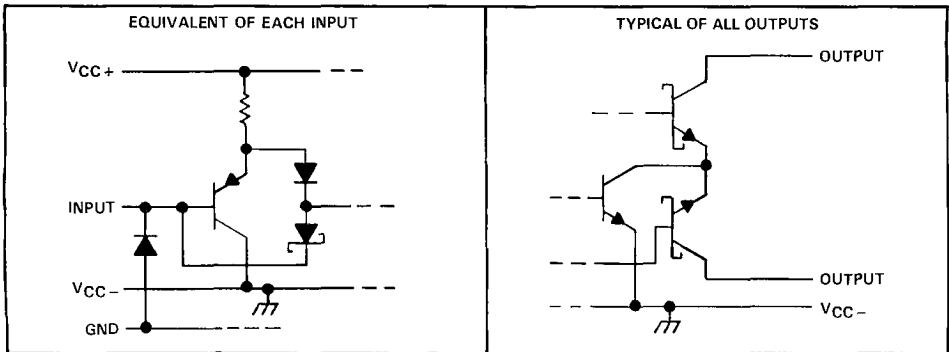
† This symbol is in accordance with ANSI/IEEE Std 91-1984 and IEC Publication 617-12.

MC3453
QUADRUPLE LINE DRIVER WITH COMMON ENABLE

logic diagram (positive logic)



schematics of inputs and outputs



MC3453 QUADRUPLE LINE DRIVER WITH COMMON ENABLE

absolute maximum ratings over operating free-air temperature range (unless otherwise noted)

Supply voltage, V_{CC+} (see Note 1)	7 V
Supply voltage, V_{CC-}	-7 V
Input voltage (any input)	5.5 V
Output voltage range (any output)	-5 V to 12 V
Continuous total dissipation at (or below) 25°C free-air temperature (see Note 2):	
D package	950 mW
J package	1025 mW
N package	1150 mW
Operating free-air temperature range	0°C to 70°C
Storage temperature range	-65°C to 150°C
Lead temperature 1,6 mm (1/16 inch) from case for 10 seconds: D, N package	260°C
Lead temperature 1,6 mm (1/16 inch) from case for 60 seconds: J package	300°C

- NOTES: 1. All voltage values are with respect to network ground terminal.
 2. For operation above 25°C free-air temperature, derate the D package to 608 mW at 70°C at the rate of 7.6 mW/°C, derate the J package to 656 mW at 70°C at the rate of 8.2 mW/°C, and the N package to 736 mW at 70°C at the rate of 9.2 mW/°C. In the J package the MC3453 is glass mounted.

recommended operating conditions

		MIN	NOM	MAX	UNIT
Supply voltage, V_{CC+}		4.75	5	5.25	V
Supply voltage, V_{CC-}		-4.75	-5	-5.25	V
High-level input voltage, V_{IH}		2		5.5	V
Low-level input voltage, V_{IL}		0		0.8	V
Common-mode output voltage range	V_{OCR+}	0		10	V
	V_{OCR-}	0		-3	V
Operating free-air temperature, T_A		0		70	°C

electrical characteristics over recommended operating free-air temperature range, $V_{CC+} = 5.25$ V, $V_{CC-} = -5.25$ V (unless otherwise noted)

PARAMETER	TEST CONDITIONS		MIN	TYP†	MAX	UNIT
V_{IK} Input clamp voltage	$I_I = -12$ mA		-0.9	-1.5		V
$I_{O(on)}$ On-state output current	$V_{CC+} = 5.25$ V, $V_{CC-} = -5.25$ V			11	15	mA
	$V_{CC+} = 4.75$ V, $V_{CC-} = -4.75$ V		6.5	11		
$I_{O(off)}$ Off-state output current	$V_{CC+} = 4.75$ V, $V_{CC-} = -4.75$ V, $V_O = 10$ V				100	µA
I_{IH} High-level input current	$V_I = 2.4$ V				40	µA
	$V_I = 5.25$ V				1	
I_{IL} Low-level input current	$V_I = 0.4$ V				-1.6	mA
I_{CC+} Supply current from V_{CC+}	A inputs at 0.4 V	Enable at 2 V		33	50	mA
		Enable at 0.4 V		33	50	
I_{CC-} Supply current from V_{CC-}	A inputs at 0.4 V	Enable at 2 V		-68	-90	mA
		Enable at 0.4 V		-31	-40	

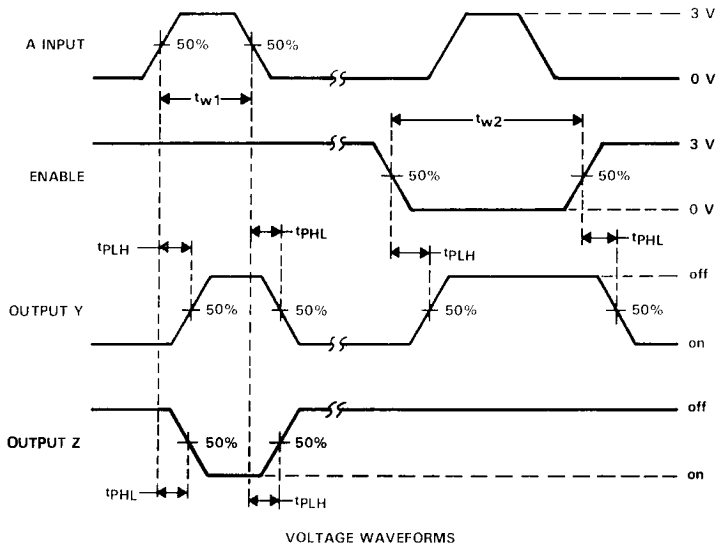
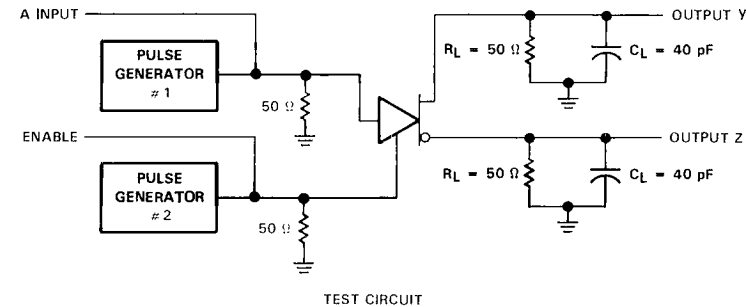
† All typical values are at $V_{CC+} = 5$ V, $V_{CC-} = -5$ V, and $T_A = 25$ °C.

MC3453 QUADRUPLE LINE DRIVER WITH COMMON ENABLE

switching characteristics, $V_{CC+} = 5\text{ V}$, $V_{CC-} = -5\text{ V}$, $R_L = 50\ \Omega$, $C_L = 40\ \text{pF}$, $T_A = 25^\circ\text{C}$

PARAMETER	FROM (INPUT)	TO (OUTPUT)	TEST CONDITIONS	MIN	TYP	MAX	UNIT
t_{PLH} Propagation delay time, low-to-high-level output	A	Y or Z	See Figure 1		9	15	ns
t_{PHL} Propagation delay time, high-to-low-level output	A	Y or Z			7	15	ns
t_{PLH} Propagation delay time, low-to-high-level output	Enable	Y or Z			14	25	ns
t_{PHL} Propagation delay time, high-to-low-level output	Enable	Y or Z			15	25	ns

PARAMETER MEASUREMENT INFORMATION



NOTES: A. The pulse generators have the following characteristics: $Z_0 = 50\ \Omega$, $t_r = t_f = 10 \pm 5\text{ ns}$, $t_{w1} = 200\text{ ns}$, $\text{PRR} \leq 1\text{ MHz}$, $t_{w2} = 1\ \mu\text{s}$, $\text{PRR} \leq 500\text{ kHz}$.
 B. C_L includes probe and jig capacitance.

FIGURE 1. PROPAGATION DELAY TIMES

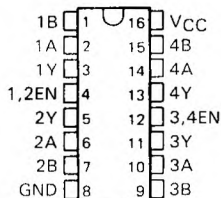
MC3486

QUADRUPLE LINE RECEIVER WITH 3-STATE OUTPUT

D2434, JUNE 1980—REVISED SEPTEMBER 1986

- Meets EIA Standards RS-422-A and RS423-A and Federal Standards 1020 and 1030
- 3-State, TTL-Compatible Outputs
- Fast Transition Times
- Operates from Single 5-V Supply
- Designed to be Interchangeable with Motorola MC3486

D, J OR N PACKAGE
(TOP VIEW)



description

The MC3486 is a monolithic quadruple differential line receiver designed to meet the specifications of EIA Standards RS-422-A and RS-423-A and Federal Standards 1020 and 1030. The MC3486 offers four independent differential-input line receivers that have TTL-compatible outputs. The outputs utilize 3-state circuitry to provide a high-impedance state at any output when the appropriate output enable is at a low logic level.

The MC3486 is designed for optimum performance when used with the MC3487 quadruple differential line driver. It is supplied in a 16-pin package and operates from a single 5-V supply.

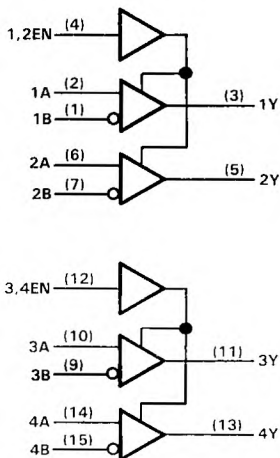
The MC3486 is characterized for operation from 0°C to 70°C.

FUNCTION TABLE (EACH RECEIVER)

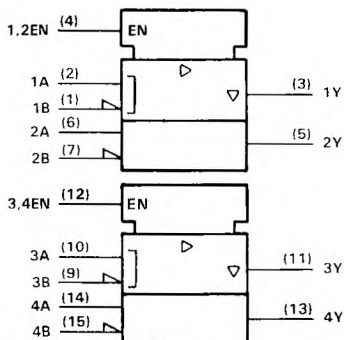
DIFFERENTIAL INPUTS A-B	ENABLE	OUTPUT Y
$V_{ID} \geq 0.2 \text{ V}$	H	H
$-0.2 \text{ V} < V_{ID} < 0.2 \text{ V}$	H	?
$V_{ID} \leq -0.2 \text{ V}$	H	L
Irrelevant	L	Z

H = high level, L = low level, Z = high-impedance (off), ? = indeterminate

logic diagram (positive logic)



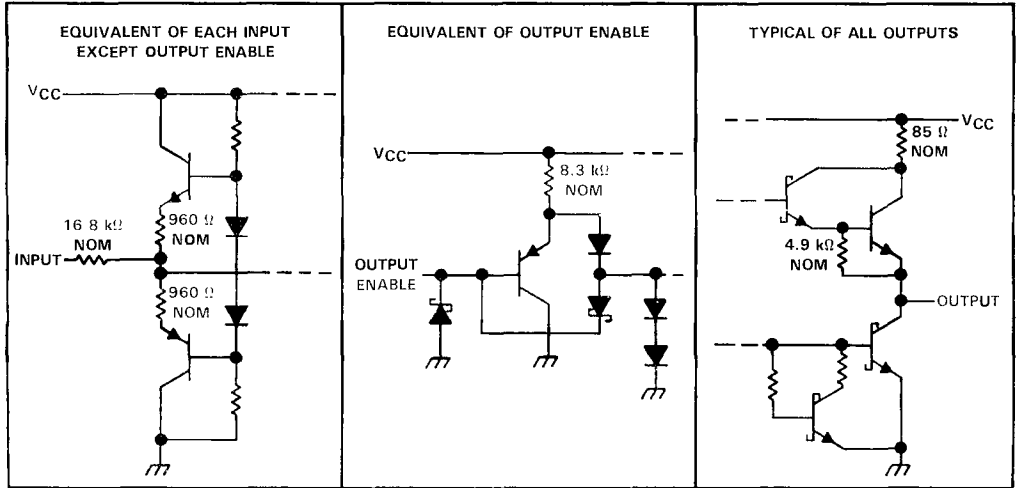
logic symbol†



†This symbol is in accordance with ANSI/IEEE Std 91-1984 and IEC Publication 617-12.

MC3486 QUADRUPLE LINE RECEIVER WITH 3-STATE OUTPUT

schematics of inputs and outputs



absolute maximum ratings over operating free-air temperature range (unless otherwise noted)

Supply voltage, V_{CC} (see Note 1)	8 V
Input voltage, A or B inputs	± 15 V
Differential input voltage (see Note 2)	± 25 V
Enable input voltage	B V
Low-level output current	50 mA
Continuous total power dissipation	See Dissipation Rating Table
Operating free-air temperature range	0°C to 70°C
Storage temperature range	-65°C to 150°C
Lead temperature 1,6 mm (1/16 inch) from case for 10 seconds: D or N package	260°C
Lead temperature 1,6 mm (1/16 inch) from case for 60 seconds: J package	300°C

- NOTES: 1. All voltage values, except differential-input voltage, are with respect to network ground terminal.
2. Differential-input voltage is measured at the noninverting input with respect to the corresponding inverting input.

DISSIPATION RATING TABLE

PACKAGE	$T_A \leq 25^\circ\text{C}$	DERATING FACTOR	$T_A = 70^\circ\text{C}$
	POWER RATING	ABOVE $T_A = 25^\circ\text{C}$	POWER RATING
D	950 mW	7.6 mW/°C	608 mW
J	1025 mW	8.2 mW/°C	656 mW
N	1150 mW	9.2 mW/°C	736 mW

recommended operating conditions

	MIN	NOM	MAX	UNIT
Supply voltage, V_{CC}	4.75	5	5.25	V
non-mode input voltage, V_{IC}			± 7	V
differential input voltage, V_{ID}			± 6	V
High-level enable input voltage, V_{IH}	2			V
Low-level enable input voltage, V_{IL}			0.8	V
Operating free-air temperature, T_A	0		70	°C



MC3486
QUADRUPLE LINE RECEIVER WITH 3-STATE OUTPUT

electrical characteristics over recommended ranges of common-mode input voltage, supply voltage, and operating free-air temperature (unless otherwise noted)

PARAMETER		TEST CONDITIONS	MIN	MAX	UNIT
V _{TH}	Differential-input high-threshold voltage	V _O = 2.7 V, I _O = -0.4 mA		0.2	V
V _{TL}	Differential-input low-threshold voltage	V _O = 0.5 V, I _O = 8 mA	-0.2 [†]		V
V _{IK}	Enable-input clamp voltage	I _I = -10 mA		-1.5	V
V _{OH}	High-level output voltage	V _{ID} = 0.4 V, I _O = -0.4 mA, See Note 3 and Figure 1	2.7		V
V _{OL}	Low-level output voltage	V _{ID} = -0.4 V, I _O = 8 mA, See Note 3 and Figure 1		0.5	V
I _{OZ}	High-impedance-state output current	V _{IL} = 0.8 V, V _{ID} = -3 V, V _O = 2.7 V		40	μA
		V _{IL} = 0.8 V, V _{ID} = 3 V, V _O = 0.5 V		-40	
I _B	Differential-input bias current	V _{CC} = 0 V or 5.25 V, Other inputs at 0 V	V _I = -10 V	-3.25	mA
			V _I = -3 V	-1.5	
			V _I = 3 V	1.5	
			V _I = 10 V	3.25	
I _{IH}	High-level enable input current	V _I = 5.25 V		100	μA
		V _I = 2.7 V		20	
I _{IL}	Low-level enable input current	V _I = 0.5 V		-100	μA
I _{OS}	Short-circuit output current	V _{ID} = 3 V, V _O = 0, See Note 4	-15	-100	mA
I _{CC}	Supply current	V _{IL} = 0		85	mA

[†]The algebraic convention, in which the least positive (most negative) limit is designated as minimum, is used in this data sheet for threshold voltages only.

NOTES: 3. Refer to EIA Standards RS-422-A and RS-423-A for exact conditions.

4. Only one output at a time should be shorted.

switching characteristics, V_{CC} = 5 V, T_A = 25 °C

PARAMETER		TEST CONDITIONS	MIN	TYP	MAX	UNIT
tp _{HL}	Propagation delay time, high-to-low-level output	C _L = 15 pF, See Figure 2		28	35	ns
tp _{LH}	Propagation delay time, low-to-high-level output			27	30	ns
tp _{ZH}	Output enable time to high level	C _L = 15 pF, See Figure 3		13	30	ns
tp _{ZL}	Output enable time to low level			20	30	ns
tp _{HZ}	Output disable time from high level			26	35	ns
tp _{LZ}	Output disable time from low level			27	35	ns

MC3486
QUADRUPLE LINE RECEIVER WITH 3-STATE OUTPUT

PARAMETER MEASUREMENT INFORMATION

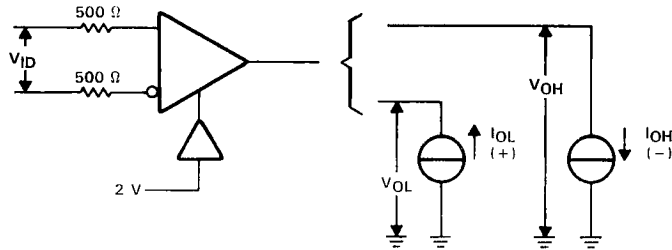


FIGURE 1. VOH, VOL

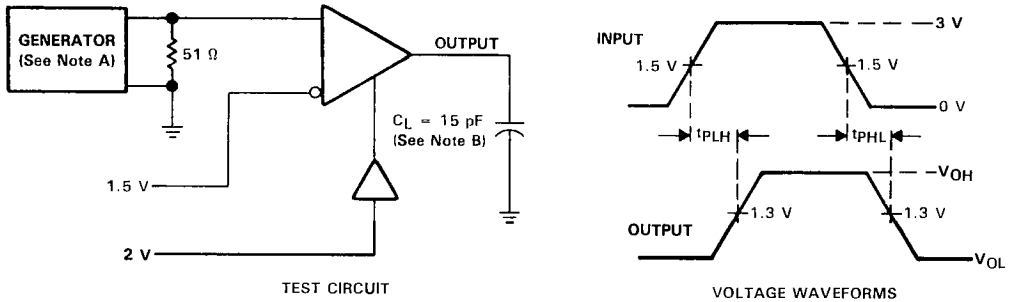


FIGURE 2. PROPAGATION DELAY TIMES

NOTES: A. The input pulse is supplied by a generator having the following characteristics: PRR \leq 1 MHz, duty cycle \approx 50%, $t_r \leq$ 6 ns, $t_f \leq$ 6 ns.
 B. C_L includes probe and stray capacitance.

PARAMETER MEASUREMENT INFORMATION

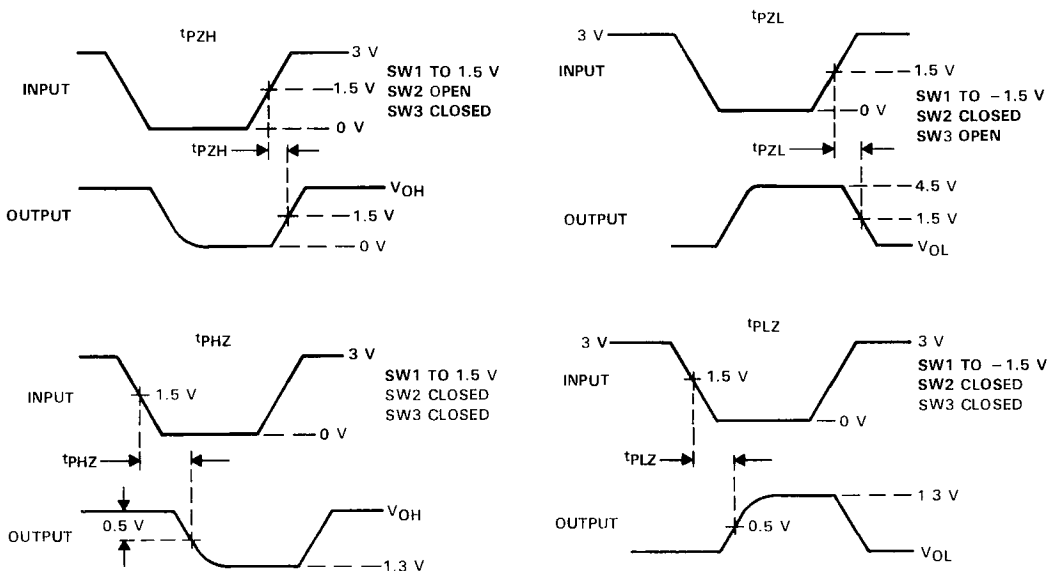
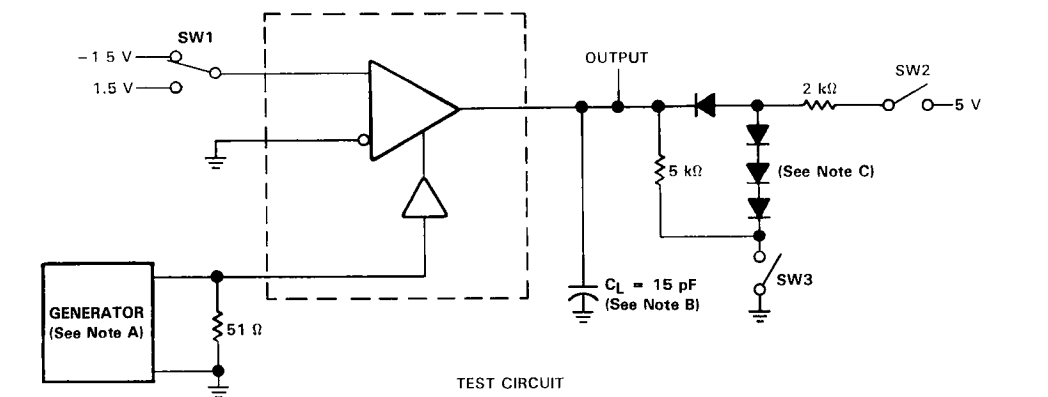
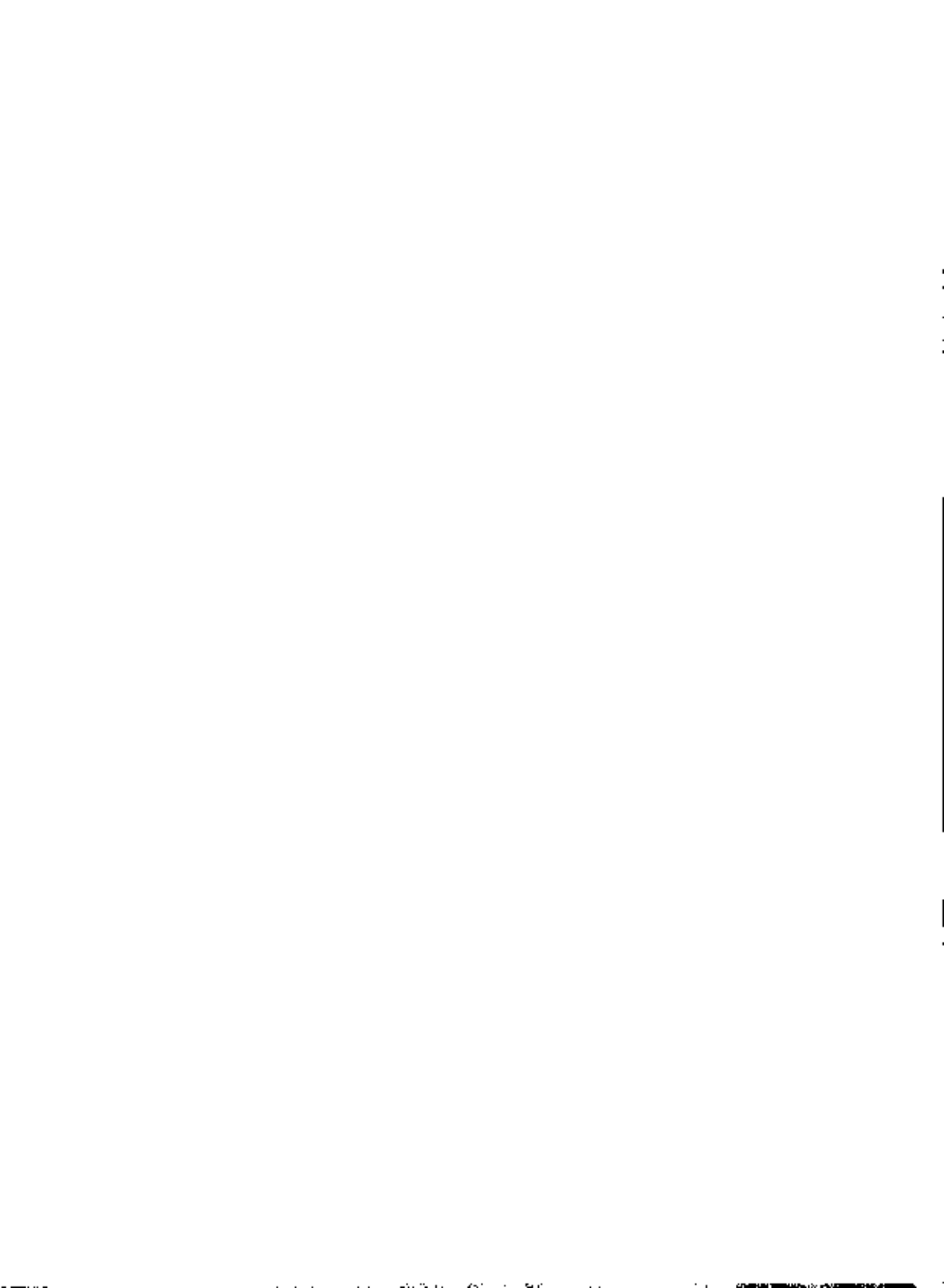


FIGURE 3. ENABLE AND DISABLE TIMES

- NOTES: A. The input pulse is supplied by a generator having the following characteristics: PRR \leq 1 MHz, duty cycle \approx 50%, $t_r \leq$ 6 ns, $t_f \leq$ 6 ns.
 B. C_L includes probe and stray capacitance.
 C. All diodes are 1N916 or equivalent.

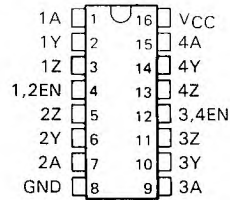


MC3487 QUADRUPLE DIFFERENTIAL LINE DRIVER WITH 3-STATE OUTPUTS

D2578, MAY 1980—REVISED SEPTEMBER 1986

- Meets EIA Standard RS-422-A and Federal Standard 1020
- 3-State, TTL-Compatible Outputs
- Fast Transition Times
- High-Impedance Inputs
- Single 5-V Supply
- Power-Up and Power-Down Protection
- Designed to Be Interchangeable with Motorola MC3487

D, J, OR N PACKAGE
(TOP VIEW)



description

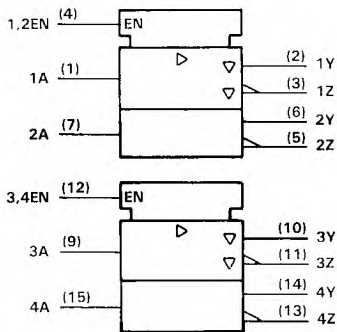
The MC3487 offers four independent differential line drivers designed to meet the specifications of EIA Standard RS-422-A and Federal Standard 1020. Each driver has a TTL-compatible input buffered to reduce current and minimize loading.

The driver outputs utilize 3-state circuitry to provide high-impedance states at any pair of differential outputs when the appropriate output enable is at a low logic level. Internal circuitry is provided to ensure a high-impedance state at the differential outputs during power-up and power-down transition times, provided the output enable is low. The outputs are capable of source or sink currents of 48 mA.

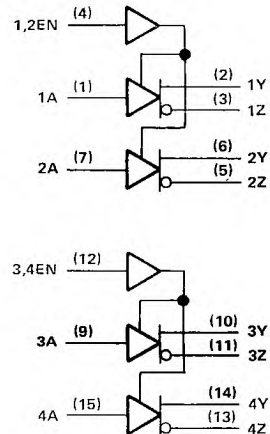
The MC3487 is designed for optimum performance when used with the MC3486 quadruple line receiver. It is supplied in a 16-pin dual-in-line package and operates from a single 5-V supply.

The MC3487 is characterized for operation from 0°C to 70°C.

logic symbol†



logic diagram (positive logic)



† This symbol is in accordance with ANSI/IEEE Std 91-1984 and IEC Publication 617-12.

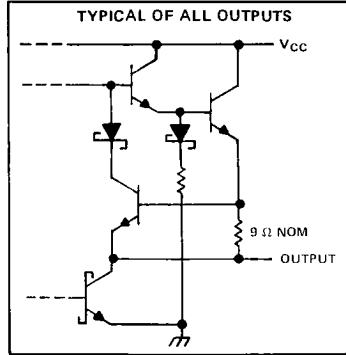
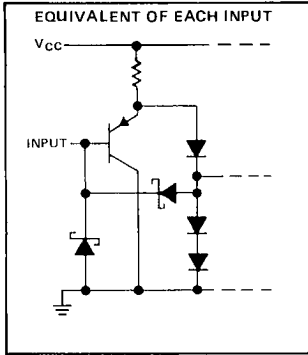
MC3487 QUADRUPLE DIFFERENTIAL LINE DRIVER WITH 3-STATE OUTPUTS

FUNCTION TABLE (EACH DRIVER)

INPUT	OUTPUT ENABLE	OUTPUTS	
		Y	Z
H	H	H	L
L	H	L	H
X	L	High-Impedance	High-Impedance

H = TTL high level X = irrelevant
L = TTL low level

schematics of inputs and outputs



absolute maximum ratings over operating free-air temperature range (unless otherwise noted)

- Supply voltage, V_{CC} (see Note 1) 8 V
- Input voltage 5.5 V
- Continuous total power dissipation See Dissipation Rating Table
- Operating free-air temperature range 0°C to 70°C
- Storage temperature range -65°C to 150°C
- Lead temperature 1,6 mm (1/16 inch) from case for 60 seconds: J package 300°C
- Lead temperature 1,6 mm (1/16 inch) from case for 10 seconds: D and N packages 260°C

NOTE 1: All voltage values, except differential output voltage, V_{OD} , are with respect to the network ground terminal.

DISSIPATION RATING TABLE

PACKAGE	$T_A \leq 25^\circ\text{C}$	DERATING FACTOR	$T_A = 70^\circ\text{C}$
	POWER RATING	ABOVE $T_A = 25^\circ\text{C}$	POWER RATING
D	950 mW	7.6 mW/°C	608 mW
J	1025 mW	8.2 mW/°C	656 mW
N	1150 mW	9.2 mW/°C	736 mW

recommended operating conditions

	MIN	NOM	MAX	UNIT
Supply voltage, V_{CC}	4.75	5	5.25	V
High-level input voltage, V_{IH}	2			V
Low-level input voltage, V_{IL}			0.8	V
Operating free-air temperature, T_A	0		70	°C



MC3487

QUADRUPLE DIFFERENTIAL LINE DRIVER WITH 3-STATE OUTPUTS

electrical characteristics over recommended ranges of supply voltage and operating free-air temperature (unless otherwise noted)

PARAMETER	TEST CONDITIONS	MIN	MAX	UNIT
V_{IK} Input clamp voltage	$I_I = -18 \text{ mA}$		-1.5	V
V_{OH} High-level output voltage	$V_{IL} = 0.8 \text{ V}$, $V_{IH} = 2 \text{ V}$, $I_{OH} = -20 \text{ mA}$	2.5		V
V_{OL} Low-level output voltage	$V_{IL} = 0.8 \text{ V}$, $V_{IH} = 2 \text{ V}$, $I_{OL} = 48 \text{ mA}$		0.5	V
$ V_{OD} $ Differential output voltage	$R_L = 100 \Omega$, See Figure 1	2		V
$\Delta V_{OD} $ Change in magnitude of differential output voltage [†]	$R_L = 100 \Omega$, See Figure 1		± 0.4	V
V_{OC} Common-mode output voltage [‡]	$R_L = 100 \Omega$, See Figure 1		3	V
$\Delta V_{OC} $ Change in magnitude of common-mode output voltage [†]	$R_L = 100 \Omega$, See Figure 1		± 0.4	V
I_O Output current with power off	$V_{CC} = 0$ $V_O = 6 \text{ V}$ $V_O = -0.25 \text{ V}$		100 -100	μA
I_{OZ} High-impedance-state output current	Output enables at 0.8 V $V_O = 2.7 \text{ V}$ $V_O = 0.5 \text{ V}$		100 -100	
I_I Input current at maximum input voltage	$V_I = 5.5 \text{ V}$		100	μA
I_{IH} High-level input current	$V_I = 2.7 \text{ V}$		50	μA
I_{IL} Low-level input current	$V_I = 0.5 \text{ V}$		-400	μA
I_{OS} Short-circuit output current [§]	$V_I = 2 \text{ V}$	-40	-140	mA
I_{CC} Supply current (all drivers)	Outputs disabled Outputs enabled, No load		105 85	mA

[†] $\Delta|V_{OD}|$ and $\Delta|V_{OC}|$ are the changes in magnitude of V_{OD} and V_{OC} , respectively, that occur when the input is changed from a high level to a low level.

[‡]In EIA Standard RS-422-A, V_{OC} , which is the average of the two output voltages with respect to ground, is called output offset voltage, V_{OS} .

[§]Only one output at a time should be shorted and duration of the short-circuit should not exceed one second.

switching characteristics over recommended range of operating free-air temperature, $V_{CC} = 5 \text{ V}$

PARAMETER	TEST CONDITION	MIN	MAX	UNIT
t_{PLH} Propagation delay time, low-to-high-level output	$C_L = 15 \text{ pF}$, See Figure 2		20	ns
t_{PHL} Propagation delay time, high-to-low-level output			20	ns
t_{D} Differential-output transition time			6	ns
t_{TD} Differential-output transition time	$C_L = 15 \text{ pF}$, See Figure 3		20	ns
t_{PZH} Output enable time to high level	$C_L = 50 \text{ pF}$, See Figure 4		30	ns
t_{PZL} Output enable time to low level			30	ns
t_{PHZ} Output disable time from high level			25	ns
t_{PLZ} Output disable time from low level			30	ns

PARAMETER MEASUREMENT INFORMATION

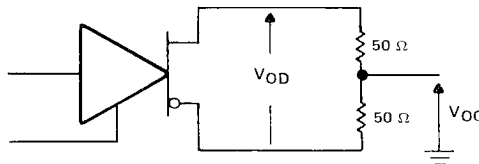


FIGURE 1. DIFFERENTIAL AND COMMON-MODE OUTPUT VOLTAGES

MC3487
QUADRUPLE DIFFERENTIAL LINE DRIVER
WITH 3-STATE OUTPUTS

PARAMETER MEASUREMENT INFORMATION

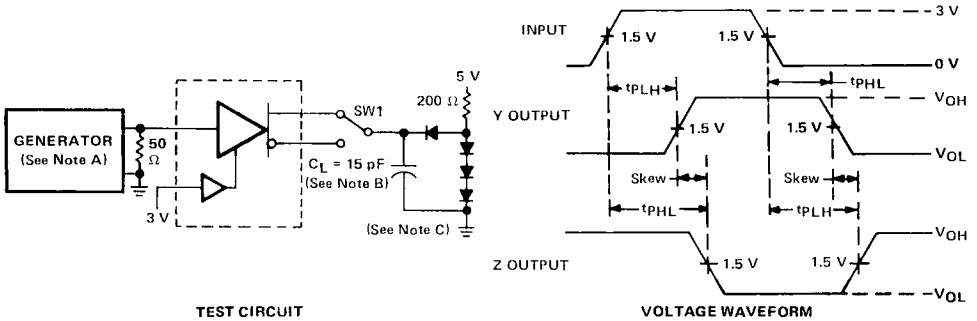


FIGURE 2. PROPAGATION DELAY TIMES

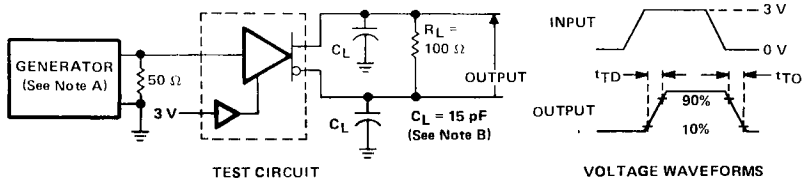


FIGURE 3. DIFFERENTIAL-OUTPUT TRANSITION TIMES

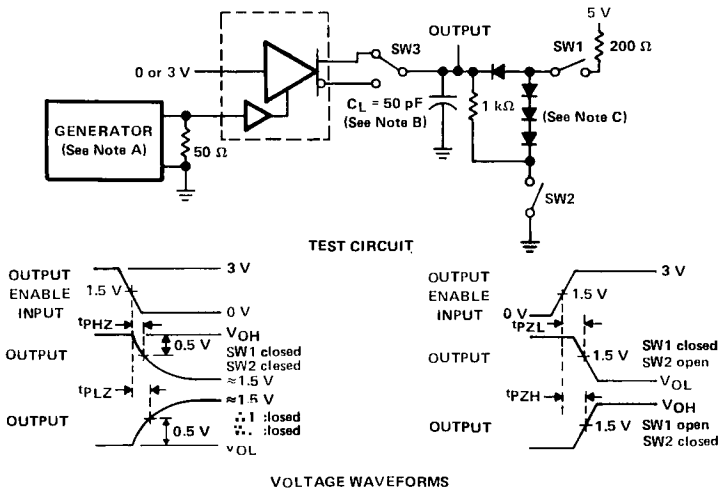


FIGURE 4. DRIVER ENABLE AND DISABLE TIMES

- NOTES:** A. The input pulse is supplied by a generator having the following characteristics: $t_r \leq 5$ ns, $t_f \leq 5$ ns, $PRR \leq 1$ MHz, duty cycle = 50%, $Z_o \approx 50 \Omega$.
 B. C_L includes probe and stray capacitance.
 C. All diodes are 1N916 or 1N3064.

MC3550, MC3552 QUADRUPLE DIFFERENTIAL LINE RECEIVERS

D3171, FEBRUARY 1989

- Four Independent Receivers with Common Enable Input
- High Input Sensitivity . . . 25 mV Max
- High Input Impedance
- MC3550 has Three-State Outputs
- MC3552 has Open-Collector Outputs
- Glitch-Free Power-Up/Power-Down Operation
- Military-Temperature-Range Versions of MC3450 and MC3452

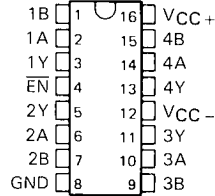
description

The MC3550 and MC3552 are quadruple differential line receivers designed for use in balanced and unbalanced digital data transmission. The two devices are the same except that the MC3550 has three-state outputs whereas the MC3552 has open-collector outputs, which permit the wire-AND function with similar output devices. Three-state and open-collector outputs permit direct connection to a bus-organized system.

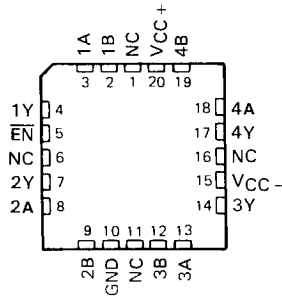
The MC3550 and MC3552 are designed for optimum performance when used with either the MC3553 quadruple differential line driver or SN55109A, SN55110A, and SN55112 dual differential drivers.

The MC3550 and MC3552 are characterized for operation over the full military temperature range of -55°C to 125°C .

**J PACKAGE
(TOP VIEW)**



**FK PACKAGE
(TOP VIEW)**



NC—No internal connection

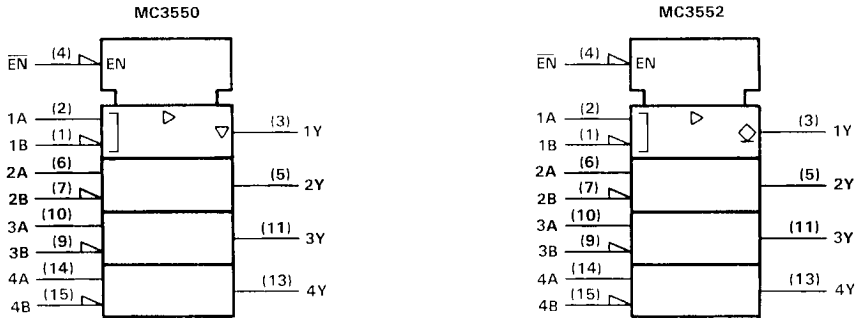
FUNCTION TABLE

DIFFERENTIAL INPUTS A-B	ENABLE EN	OUTPUT Y
$V_{ID} \geq 25 \text{ mV}$	L	H
$-25 \text{ mV} < V_{ID} < 25 \text{ mV}$	L	?
$V_{ID} \leq 25 \text{ mV}$	L	L
X	H	Z

H = high level, L = low level, ? = indeterminate, Z = impedance (off)

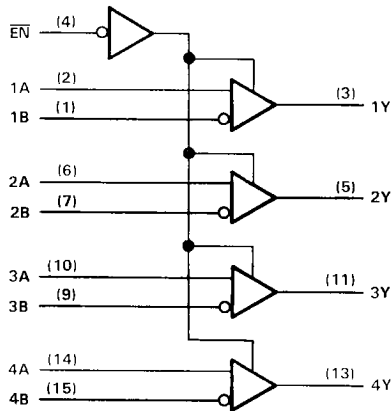
MC3550, MC3552 QUADRUPLE DIFFERENTIAL LINE RECEIVERS

logic symbols†



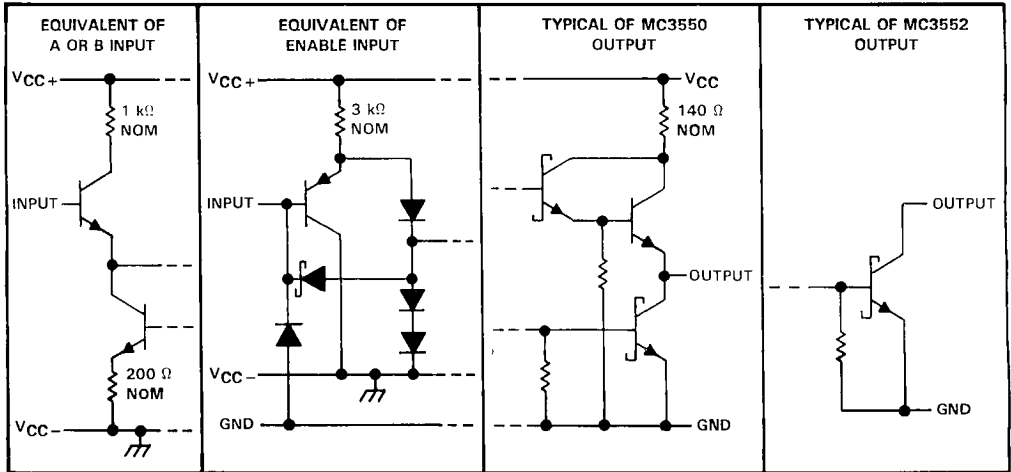
† These symbols are in accordance with ANSI/IEEE Std 91-1984 and IEC Publication 617-12.

logic diagram (positive logic)



MC3550, MC3552 QUADRUPLE DIFFERENTIAL LINE RECEIVERS

schematics of inputs and outputs



absolute maximum ratings over operating free-air temperature range (unless otherwise noted)

Supply voltage, V_{CC+} (see Note 1)	7 V
Supply voltage, V_{CC-}	-7 V
Differential input voltage (see Note 2)	± 6 V
Common-mode input voltage (see Note 3)	± 5 V
Enable input voltage	5.5 V
Continuous total dissipation at (or below) 25°C free-air temperature (see Note 4)	1375 mW
Operating free-air temperature range	-55°C to 125°C
Storage temperature range	-65°C to 150°C
Case temperature for 60 seconds: FK package	260°C
Lead temperature 1,6 mm (1/16 inch) from case for 60 seconds: J package	300°C

- NOTES: 1. All voltage values, except differential input voltage, are with respect to network ground terminal.
 2. Differential input voltage is measured at the noninverting input with respect to the corresponding inverting input.
 3. Common-mode input voltage is the average of the voltages at the A and B inputs.
 4. For operation above 25°C free-air temperature, derate to 275 mW at 125°C at the rate of 11.0 mW/°C.

MC3550, MC3552 QUADRUPLE DIFFERENTIAL LINE RECEIVERS

recommended operating conditions

		MIN	NOM	MAX	UNIT
Supply voltage, V_{CC+}	$T_A \geq 25^\circ\text{C}$	4.5	5	5.5	V
	$T_A < 25^\circ\text{C}$	4.75	5	5.5	
Supply voltage, V_{CC-}	$T_A \geq 25^\circ\text{C}$	-4.5	-5	-5.5	V
	$T_A < 25^\circ\text{C}$	-4.75	-5	-5.5	
High-level enable input voltage, V_{IH}		2			V
Low-level enable input voltage, V_{IL}		0.8			V
Low-level output current, I_{OL}		-16			mA
Differential input voltage, V_{ID} (see Note 5)		-5 [†]		5	V
Common-mode input voltage, V_{IC} (see Note 5)		-3 [†]		3	V
Input voltage range, any differential input to ground		-5 [†]		3	V
Operating free-air temperature, T_A		-55		125	$^\circ\text{C}$

[†] The algebraic convention, in which the less positive (more negative) limit is designated minimum, is used in this data sheet for common-mode input voltage.

NOTE 5: The recommended combinations of input voltages fall within the shaded area of Figure 1.

RECOMMENDED COMBINATIONS OF INPUT VOLTAGES

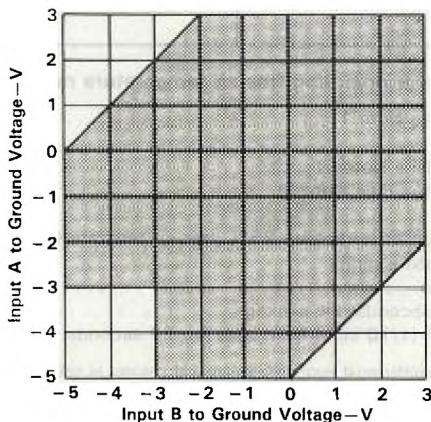


FIGURE 1

MC3550, MC3552 QUADRUPLE DIFFERENTIAL LINE RECEIVERS

electrical characteristics over recommended operating free-air temperature range, $V_{CC\pm} = \text{MAX}$ (unless otherwise noted)

PARAMETER		TEST CONDITIONS†	MC3550			MC3552			UNIT
			MIN	TYP‡	MAX	MIN	TYP‡	MAX	
I_{IH}	High-level input current	A inputs	$V_{ID} = -2 \text{ V}$	30	75	30	75	μA	
		B inputs	$V_{ID} = -2 \text{ V}$	30	75	30	75		
	$\overline{\text{EN}}$		$V_{IH} = 2.4 \text{ V}$		40		40	μA	
			$V_{IH} = V_{CC+ \text{ MAX}}$		1		1		mA
I_{IL}	Low-level input current	A inputs	$V_{ID} = 2 \text{ V}$		-10		-10	μA	
		B inputs	$V_{ID} = 2 \text{ V}$		-10		-10		
	$\overline{\text{EN}}$		$V_{IL} = 0.4 \text{ V}$		-1.6		-1.6	mA	
V_{OH}	High-level output voltage	$V_{CC\pm} = \text{MIN}, V_{ID} = 25 \text{ mV}, \overline{\text{EN}}$ at 0.8 V, $I_{OH} = -400 \mu\text{A}, V_{IC} = -3 \text{ V to } 3 \text{ V}$		2.4				V	
I_{OH}	High-level output current	$V_{CC\pm} = \text{MIN}, V_{OH} = V_{CC+ \text{ MAX}}$				250		μA	
V_{OL}	Low-level output voltage	$V_{CC\pm} = \text{MIN}, V_{ID} = -25 \text{ mV}, \overline{\text{EN}}$ at 0.8 V, $I_{OL} = 16 \text{ mA}, V_{IC} = -3 \text{ V to } 3 \text{ V}$			0.5		0.5	V	
I_{OZ}	High-impedance-state output current	$V_O = 2.4 \text{ V}$				40		μA	
		$V_O = 0.4 \text{ V}$				-40			
I_{OS}	Short-circuit output current‡	$V_{ID} = 25 \text{ mV}, V_O = 0, \overline{\text{EN}}$ at 0.8 V		-18		-70		mA	
I_{CCH+}	Supply current from V_{CC+} , outputs high	A inputs at GND, B inputs at 3 V, $\overline{\text{EN}}$ at 3 V				60		mA	
	Supply current from V_{CC-} , outputs high					-30			mA

†For conditions shown as MIN or MAX, use the appropriate value specified under recommended operating conditions.

‡All typical values are at $V_{CC+} = 5 \text{ V}, V_{CC-} = -5 \text{ V}, T_A = 25^\circ\text{C}$.

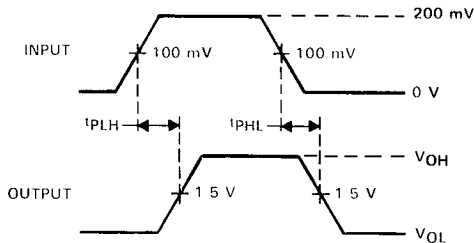
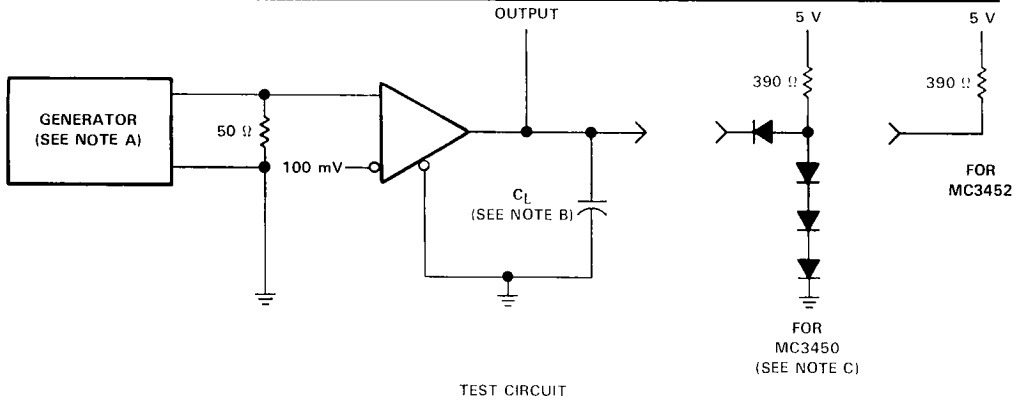
§Not more than one output should be shorted at a time.

switching characteristics, $V_{CC\pm} = \pm 5 \text{ V}, T_A = 25^\circ\text{C}$

PARAMETER	FROM (INPUT)	TO (OUTPUT)	TEST CONDITIONS	t _{PLH} - t _{PLH} 50			t _{PHL} - t _{PHL} 2			UNIT
				MIN	TYP	MAX	MIN	TYP	MAX	
t_{PLH}	A and B	Y	$C_L = 50 \text{ pF}$, See Figure 2		17	25			ns	
			$C_L = 15 \text{ pF}$, See Figure 2				19	25		
t_{PHL}	A and B	Y	$C_L = 50 \text{ pF}$, See Figure 2		17	25			ns	
			$C_L = 15 \text{ pF}$, See Figure 2				19	25		
t_{PZH}	$\overline{\text{EN}}$	Y	$C_L = 50 \text{ pF}$, See Figure 2			21		ns		
t_{PZL}	$\overline{\text{EN}}$	Y				27				
t_{PHZ}	$\overline{\text{EN}}$	Y	$C_L = 15 \text{ pF}$, See Figure 3			18		ns		
t_{PLZ}	$\overline{\text{EN}}$	Y				29				
t_{PLH}	$\overline{\text{EN}}$	Y	$C_L = 15 \text{ pF}$, See Figure 4				25	ns		
t_{PHL}	$\overline{\text{EN}}$	Y	$C_L = 15 \text{ pF}$, See Figure 4				25	ns		

†All typical values are at $V_{CC+} = 5 \text{ V}, V_{CC-} = -5 \text{ V}, T_A = 25^\circ\text{C}$.

MC3550, MC3552 QUADRUPLE DIFFERENTIAL LINE RECEIVERS

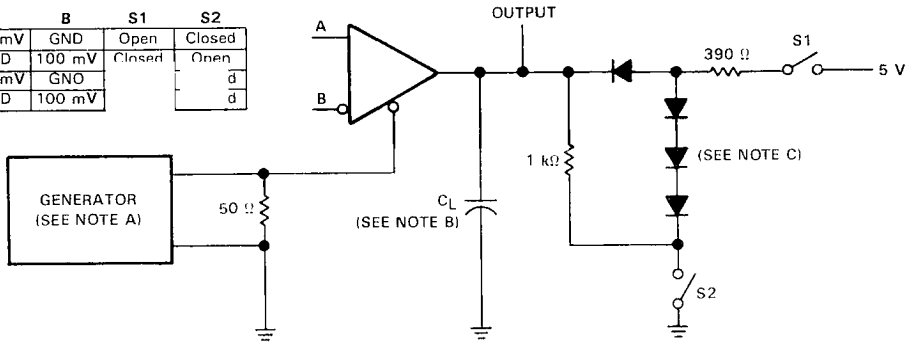


- NOTES: A. The input pulse is supplied by a generator having the following characteristics: PRR \leq 1 MHz, duty cycle \leq 50%, $t_r \leq$ 6 ns, $t_f \leq$ 6 ns.
 B. C_L includes probe and jig capacitance.
 C. All diodes are 1N916 or equivalent.

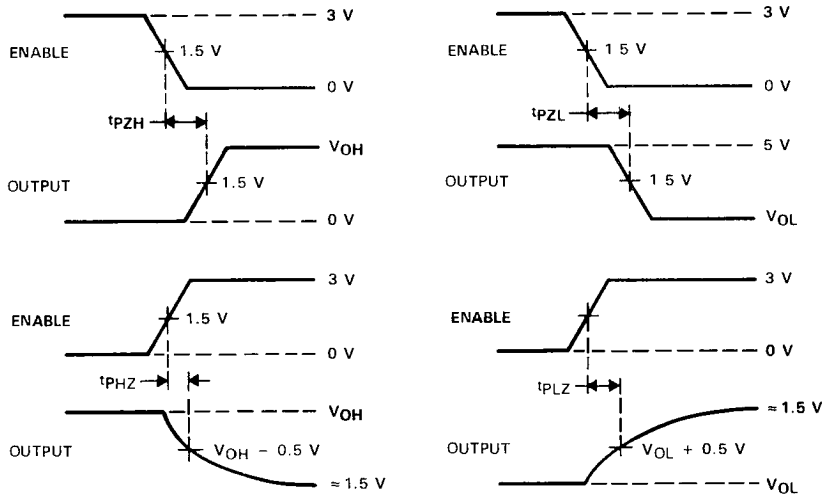
FIGURE 2. PROPAGATION DELAY TIMES

MC3550, MC3552 QUADRUPLE DIFFERENTIAL LINE RECEIVERS

	A	B	S1	S2
t _{PZH}	100 mV	GND	Open	Closed
t _{PZL}	GND	100 mV	Closed	Open
t _{PHZ}	100 mV	GND		d
t _{PLZ}	GND	100 mV		d



TEST CIRCUIT

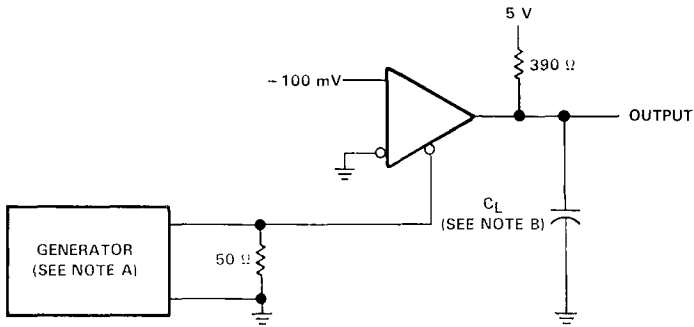


VOLTAGE WAVEFORMS

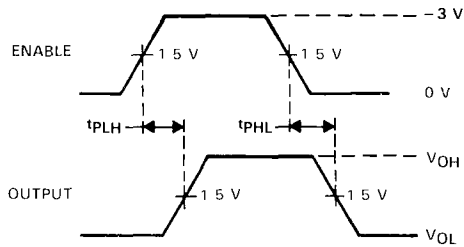
- NOTES: A. The input pulse is supplied by a generator having the following characteristics: PRR ≤ 1 MHz, duty cycle = 50%, t_r ≤ 6 ns, t_f ≤ 6 ns.
 B. C_L includes probe and jig capacitance.
 C. All diodes are 1N916 or equivalent

FIGURE 3. MC3550 ENABLE AND DISABLE TIMES

MC3550, MC3552
QUADRUPLE DIFFERENTIAL LINE RECEIVERS



TEST CIRCUIT



VOLTAGE WAVEFORMS

- NOTES: A. The input pulse is supplied by a generator having the following characteristics: PRR \leq 1 MHz, duty cycle \leq 50%, $t_r \leq$ 6 ns, $t_f \leq$ 6 ns.
 B. C_L includes probe and jig capacitance.

FIGURE 4. MC3550 PROPAGATION DELAY TIMES FROM ENABLE

MC3553 QUADRUPLE LINE DRIVER WITH COMMON ENABLE

D3170, OCTOBER 1988

- Similar to a Dual Version of SN55110A Line Driver
- Improved Stability Over Supply Voltage and Temperature Ranges
- Constant-Current Outputs
- High Output Impedance
- High Common-Mode Output Voltage Range (-3 V to 10 V)
- Glitch-Free Power-Up/Power-Down Operation
- TTL Input Compatibility
- Common Enable Circuit
- Military-Temperature-Range Version of MC3453

description

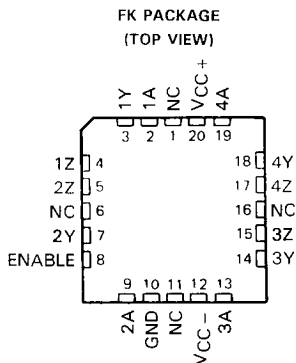
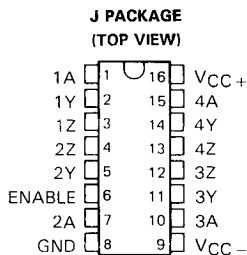
The MC3553 features four line drivers with a common enable input. When the enable input is high, a constant output current is switched between each pair of output terminals in response to the logic level at that channel's input. When the enable is low, all channel outputs are nonconductive (transistors biased to cutoff). This feature minimizes loading in party-line systems where a large number of drivers share the same line.

The driver outputs have a common-mode voltage range of -3 V to 10 V, allowing common-mode voltages on the line without affecting driver performance.

All outputs should be maintained within the recommended common-mode output voltage range to ensure that the channels do not interact with each other. To minimize power dissipation, all unused outputs should be grounded.

All inputs are diode clamped and are designed to satisfy TTL-system requirements. The inputs are tested at 2 V for high-logic-level input conditions and 0.8 V for low-logic-level input conditions. These tests guarantee 400 mV of noise margin when interfaced with Series 54 TTL.

The MC3553 is characterized for operation over the full military temperature range of -55°C to 125°C.



NC—No internal connection

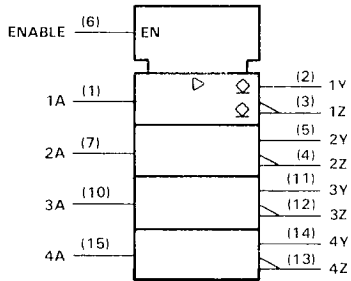
FUNCTION TABLE

LOGIC INPUT	ENABLE INPUT	OUTPUT CURRENT	
		Z	Y
H	H	ON	OFF
L	H	OFF	ON
H	L	OFF	OFF
L	L	OFF	OFF

L = low logic level
H = high logic level

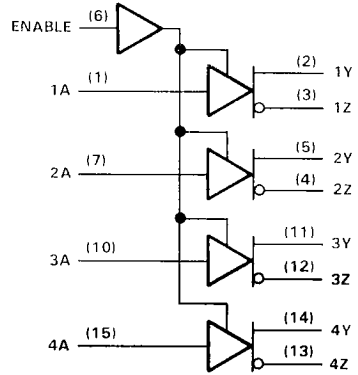
MC3553 QUADRUPLE LINE DRIVER WITH COMMON ENABLE

logic symbol†

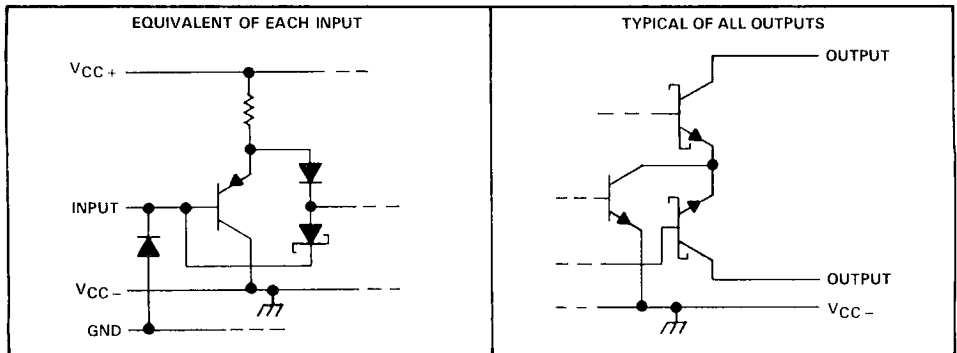


†This symbol is in accordance with ANSI/IEEE Std 91-1984 and IEC Publication 617-12.

logic diagram (positive logic)



schematics of inputs and outputs



MC3553 QUADRUPLE LINE DRIVER WITH COMMON ENABLE

absolute maximum ratings over operating free-air temperature range (unless otherwise noted)

Supply voltage, V_{CC+} (see Note 1)	7 V
Supply voltage, V_{CC-}	-7 V
Input voltage (any input)	5.5 V
Output voltage range (any output)	-5 V to 12 V
Continuous total dissipation at (or below) 25°C free-air temperature (see Note 2)	1375 mW
Operating free-air temperature range	-55°C to 125°C
Storage temperature range	-65°C to 150°C
Case temperature for 60 seconds: FK package	260°C
Lead temperature 1,6 mm (1/16 inch) from case for 60 seconds: J package	300°C

- NOTES: 1. All voltage values are with respect to network ground terminal.
2. For operation above 25°C free-air temperature, derate to 275 mW at 125°C at the rate of 11.0 mW/°C.

recommended operating conditions

		MIN	NOM	MAX	UNIT
Supply voltage, V_{CC+}	$T_A \geq 25^\circ\text{C}$	4.5	5	5.5	V
	$T_A < 25^\circ\text{C}$	4.75	5	5.5	
Supply voltage, V_{CC-}	$T_A \geq 25^\circ\text{C}$	-4.5	-5	-5.5	V
	$T_A < 25^\circ\text{C}$	-4.75	-5	-5.5	
High-level input voltage, V_{IH}		2		5.5	V
Low-level input voltage, V_{IL}		0		0.8	V
Common-mode output voltage range	V_{OCR+}	0		10	V
	V_{OCR-}	0		-3	V
Operating free-air temperature, T_A		-55		125	°C

electrical characteristics over recommended operating free-air temperature range, $V_{CC+} = \text{MAX}$, $V_{CC-} = -\text{MAX}$ (unless otherwise noted)

PARAMETER	TEST CONDITIONS†	MIN	TYP‡	MAX	UNIT
V_{IK} Input clamp voltage	$I_I = -12 \text{ mA}$	-0.9	-1.5		V
$I_{O(on)}$ On-state output current	$V_{CC+} = \text{MAX}$, $V_{CC-} = \text{MAX}$		11	15	mA
	$V_{CC+} = \text{MIN}$, $V_{CC-} = \text{MIN}$	6.5	11		
$I_{O(off)}$ Off-state output current	$V_{CC+} = \text{MIN}$, $V_{CC-} = \text{MIN}$, $V_O = 10 \text{ V}$			100	µA
I_{IH} High-level input current	$V_I = 2.4 \text{ V}$			40	µA
	$V_I = V_{CC+} \text{ MAX}$			1	mA
I_{IL} Low-level input current	$V_I = 0.4 \text{ V}$			-1.6	mA
I_{CC+} Supply current from V_{CC+}	A inputs at 0.4 V	Enable at 2 V	33	50	mA
		Enable at 0.4 V	33	50	
I_{CC-} Supply current from V_{CC-}	A inputs at 0.4 V	Enable at 2 V	-68	-90	mA
		Enable at 0.4 V	-31	-40	

†For conditions shown as MIN or MAX, use the appropriate value specified under Recommended Operating Conditions.

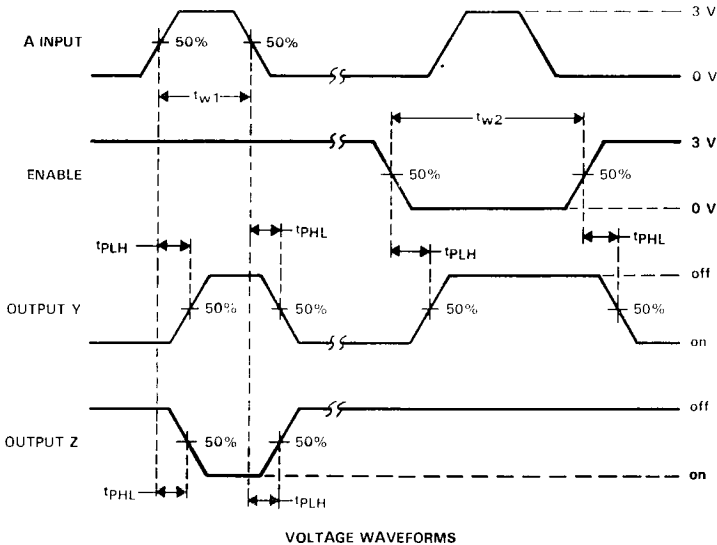
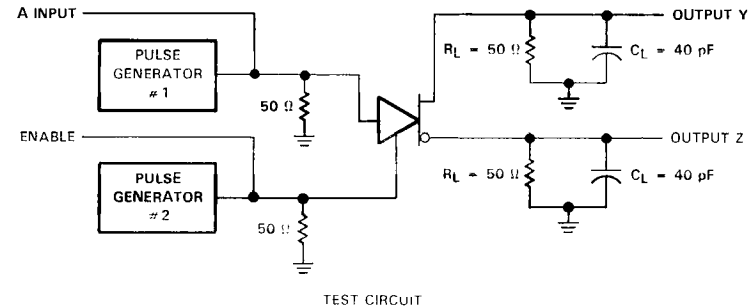
‡All typical values are at $V_{CC+} = 5 \text{ V}$, $V_{CC-} = -5 \text{ V}$, and $T_A = 25^\circ\text{C}$.

MC3553 QUADRUPLE LINE DRIVER WITH COMMON ENABLE

switching characteristics, $V_{CC+} = 5\text{ V}$, $V_{CC-} = -5\text{ V}$, $R_L = 50\ \Omega$, $C_L = 40\text{ pF}$, $T_A = 25^\circ\text{C}$

PARAMETER	FROM (INPUT)	TO (OUTPUT)	TEST CONDITIONS	MIN	TYP	MAX	UNIT
t_{PLH} Propagation delay time, low-to-high-level output	A	Y or Z	See Figure 1		9	15	ns
t_{PHL} Propagation delay time, high-to-low-level output	A	Y or Z			7	15	ns
t_{PLH} Propagation delay time, low-to-high-level output	Enable	Y or Z			14	25	ns
t_{PHL} Propagation delay time, high-to-low-level output	Enable	Y or Z			15	25	ns

PARAMETER MEASUREMENT INFORMATION



- NOTES: A. The pulse generators have the following characteristics: $Z_0 \approx 50\ \Omega$, $t_r = t_f = 10 \pm 5\text{ ns}$, $t_{w1} \leq 200\text{ ns}$, $\text{PRR} \leq 1\text{ MHz}$, $t_{w2} \leq 1\ \mu\text{s}$, $\text{PRR} \leq 500\text{ kHz}$.
 B. C_L includes probe and jig capacitance.

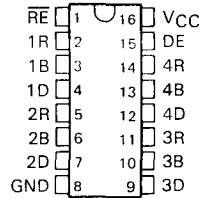
FIGURE 1. PROPAGATION DELAY TIMES

N8T26 QUADRUPLE BUS TRANSCEIVER WITH 3-STATE OUTPUTS

D2462, MAY 1978—REVISED SEP 1986

- P-N-P Inputs for Minimal Input Loading (200 μ A Maximum)
- High-Speed Schottky Circuitry
- 3-State Outputs for Driver and Receiver
- Party-Line (Data-Bus) Operation
- Single 5-V Supply
- Designed to Be Interchangeable with Signetics N8T26, also Called 8T26

D, J, OR N PACKAGE
(TOP VIEW)



description

The N8T26 is a quadruple transceiver utilizing Schottky-diode-clamped transistors. Both the driver and receiver have 3-state outputs. With p-n-p inputs, the input loading is reduced to a maximum input current of 200 μ A. This device is capable of high switching rates into high-capacitance loads and are suitable for driving long bus lines.

The N8T26 is characterized for operation from 0°C to 70°C.

FUNCTION TABLE (DRIVER)

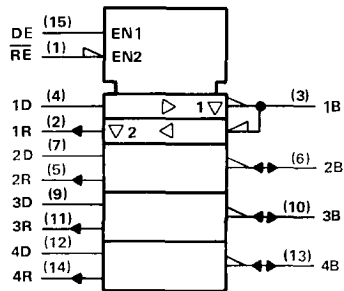
INPUT		OUTPUT
DE	D	B
H	L	H
H	H	L
L	X	Z

FUNCTION TABLE (RECEIVER)

INPUT		OUTPUT
RE	B	R
L	L	H
L	H	L
H	X	Z

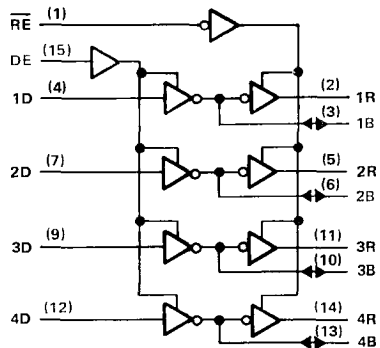
H = high level
L = low level
X = irrelevant
Z = high impedance

logic symbol†



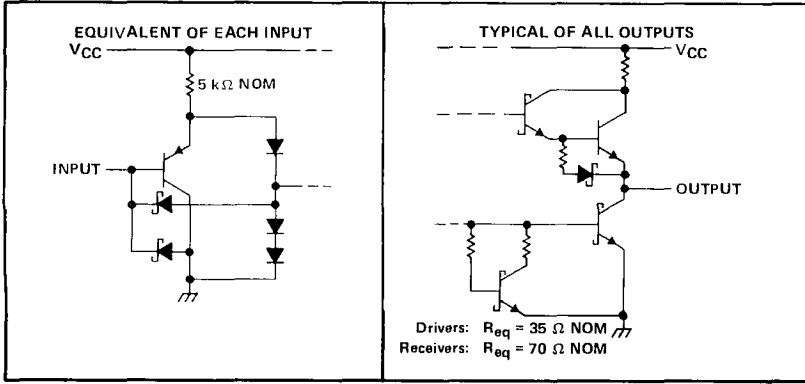
† This symbol is in accordance with ANSI/IEEE Std 91-1984 and IEC Publication 617-12.

logic diagram (positive logic)



N8T26 QUADRUPLE BUS TRANSCEIVER WITH 3-STATE OUTPUTS

schematics of inputs and outputs



absolute maximum ratings over operating free-air temperature range (unless otherwise noted)

Supply voltage, V_{CC} (see Note 1)	7 V
Input voltage	5.5 V
Continuous total power dissipation	See Dissipation Rating Table
Operating free-air temperature range	0°C to 70°C
Storage temperature range	-65°C to 150°C
Lead temperature 1,6 mm (1/16 inch) from case for 60 seconds: J package	300°C
Lead temperature 1,6 mm (1/16 inch) from case for 10 seconds: D or N package	260°C

NOTE 1: Voltage values are with respect to network ground terminal.

DISSIPATION RATING TABLE

PACKAGE	$T_A = 25^\circ\text{C}$	DERATING FACTOR	$T_A = 70^\circ\text{C}$
	POWER RATING	ABOVE $T_A = 25^\circ\text{C}$	POWER RATING
D	950 mW	7.6 mW/°C	608 mW
J	1025 mW	8.2 mW/°C	656 mW
N	1150 mW	9.2 mW/°C	736 mW

recommended operating conditions

	MIN	NOM	MAX	UNIT
Supply voltage, V_{CC}	4.75	5	5.25	V
High-level input voltage, V_{IH}	2			V
Low-level input voltage, V_{IL}	0.85			V
High-level output current, I_{OH}	Driver, B	-10		mA
	Receiver, R	-2		
Low-level output current, I_{OL}	Driver, B	40		mA
	Receiver, R	16		
Operating free-air temperature, T_A	0	70		°C



N8T26
QUADRUPLE BUS TRANSCEIVER
WITH 3-STATE OUTPUTS

electrical characteristics over recommended operating free-air temperature and supply voltage range (unless otherwise noted)

PARAMETER		TEST CONDITIONS		MIN	TYP [†]	MAX	UNIT
V _{IK}	Input clamp voltage	B,D,DE,RE	I _I = -5 mA			-1	V
V _{OH}	High-level output voltage	B	V _{IH} = 2 V, V _{IL} = 0.85 V, I _{OH} = -10 mA	2.6	3.1		V
		R	V _{IL} = 0.85 V I _{OH} = -2 mA	2.6	3.1		
V _{OL}	Low-level output voltage	B	V _{IH} = 2 V, I _{OL} = 40 mA			0.5	V
		R	V _{IH} = 2 V, V _{IL} = 0.85 V, I _{OL} = 16 mA			0.5	
I _{OZ}	Off-state (high-impedance state) output current	B,R	DE at 0.85 V RE at 2 V, V _O = 2.6 V			100	μA
		R	RE at 2 V, V _O = 0.5 V			-100	
I _{IH}	High-level input current	D,DE,RE	V _I = 5.25 V			25	μA
I _{IL}	Low-level input current	B,D,DE,RE	V _I = 0.4 V			-200	μA
I _{OS}	Short-circuit output current [‡]	B	V _{CC} = 5.25 V	-50		-150	mA
		R		-30		-75	
I _{CC}	Supply current		V _{CC} = 5.25 V, No load			87	mA

[†]All typical values are at T_A = 25°C and V_{CC} = 5 V.

[‡]Only one output should be shorted to ground at a time, and duration of the short circuit should not exceed one second.

switching characteristics, V_{CC} = 5 V, T_A = 25°C

PARAMETER	FROM	TO	TEST CONDITIONS	MIN	TYP	MAX	UNIT
t _{PLH}			C _L = 30 pF,		8	18	ns
t _{PHL}	B	R	See Figure 1		7	10	
t _{PLH}			C _L = 300 pF,		14	20	ns
t _{PHL}	D	B	See Figure 2		12	20	
t _{PLZ}			C _L = 30 pF,		9	17	ns
t _{PZL}	RE	R	See Figure 3		15	30	
t _{PLZ}			C _L = 30 pF,		20	43	ns
t _{PZL}	DE	B	See Figure 4		20	38	

**N8T26
 QUADRUPLE BUS TRANSCEIVER
 WITH 3-STATE OUTPUTS**

PARAMETER MEASUREMENT INFORMATION

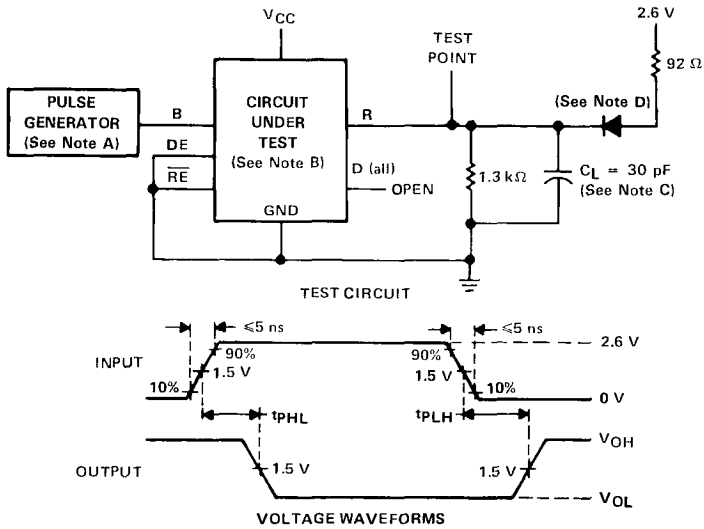


FIGURE 1. PROPAGATION DELAY TIMES FROM BUS TO RECEIVER OUTPUT

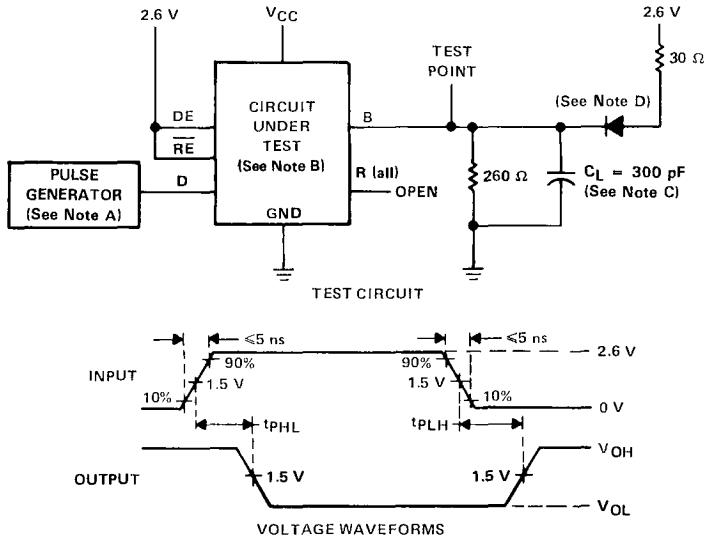


FIGURE 2. PROPAGATION DELAY TIMES FROM DRIVER INPUT TO BUS

- NOTES: A. The pulse generator in Figures 1 and 2 has the following characteristics: PRR \leq 10 MHz, duty cycle = 50%, $Z_0 \approx 50 \Omega$.
 B. All inputs and outputs not shown are open.
 C. C_L includes probe and jig capacitance.
 D. All diodes are 1N916 or 1N3064.

PARAMETER MEASUREMENT INFORMATION

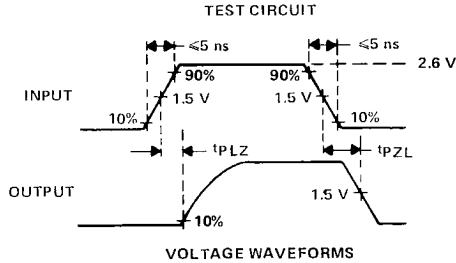
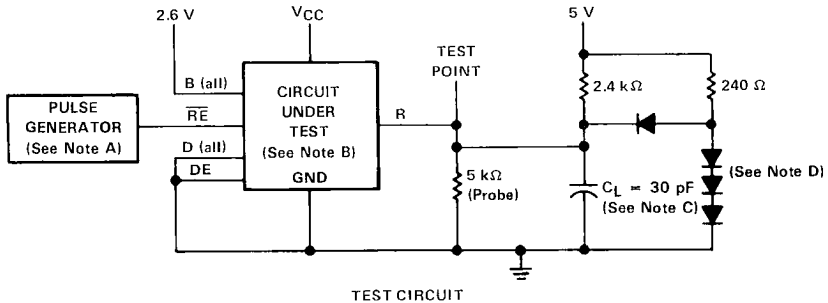


FIGURE 3. RECEIVER ENABLE AND DISABLE TIMES

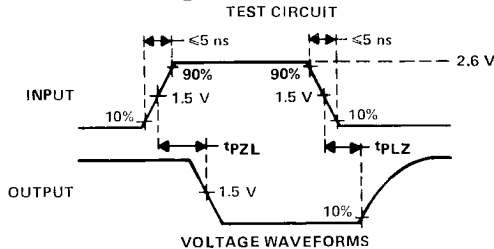
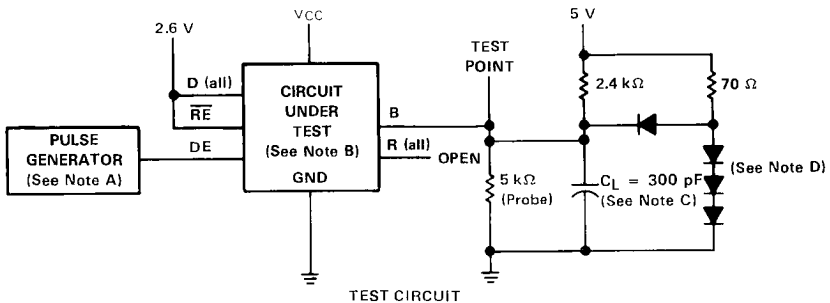


FIGURE 4. DRIVER ENABLE AND DISABLE TIMES

- NOTES: A. The pulse generator in Figures 3 and 4 has the following characteristics: $PRR \leq 5$ MHz, duty cycle = 50%, $Z_0 \approx 50 \Omega$.
 B. All inputs and outputs not shown are open.
 C. C_L includes probe and jig capacitance.
 D. All diodes are 1N916 or 1N3064.



SN55107A, SN55107B, SN55108A, SN55108B SN75107A, SN75107B, SN75108A, SN75108B DUAL LINE RECEIVERS

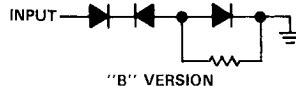
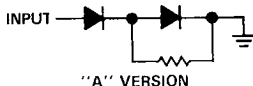
D2304, JANUARY 1977—REVISED MAY 1990

- High Speed
- Standard Supply Voltage
- Dual Channels
- High Common-Mode Rejection Ratio
- High Input Impedance
- High Input Sensitivity
- Differential Input Common-Mode Range of ± 3 V
- Strobe Inputs for Receiver Selection
- Gate Inputs for Logic Versatility
- TTL Drive Capability
- High DC Noise Margin
- '107A and '107B Have Totem-Pole Outputs
- '108A and '108B Have Open-Collector Outputs
- "'B" Versions Have Diode-Protected Input for Power-Off Condition

description

These circuits are TTL-compatible high-speed line receivers. Each is a monolithic dual circuit featuring two independent channels. They are designed for general use as well as such specific applications as data comparators and balanced, unbalanced, and party-line transmission systems. These devices are unilaterally interchangeable with and are replacements for the SN55107, SN55108, SN75107, and SN75108, but offer diode-clamped strobe inputs to simplify circuit design.

The essential difference between the "A" and "B" versions can be seen in the schematics. Input-protection diodes are in series with the collectors of the differential-input transistors of the "B" versions. These diodes are useful in certain "party-line" systems that may have multiple V_{CC+} power supplies and may be operated with some of the V_{CC+} supplies turned off. In such a system, if a supply is turned off and allowed to go to ground, the equivalent input circuit connected to that supply would be as follows:

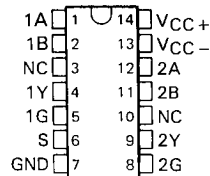


This would be a problem in specific systems that might possibly have the transmission lines biased to some potential greater than 1.4 V.

The SN55107A, SN55107B, SN55108A, and SN55108B are characterized for operation over the full military temperature range of -55°C to 125°C . The SN75107A, SN75107B, SN75108A, and SN75108B are characterized for operation from 0°C to 70°C .

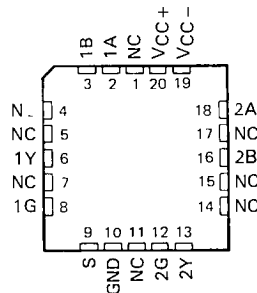
SN55107A, SN55107B, SN55108A
SN55108B . . . J PACKAGE
SN75107A, SN75107B, SN75108A
SN75108B . . . D, J, OR N PACKAGE

(TOP VIEW)



SN55107A, SN55107B, SN55108A,
SN55108B . . . FK PACKAGE

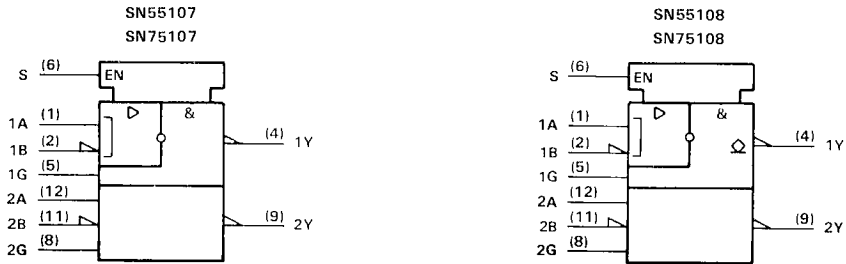
(TOP VIEW)



NC—No internal connection

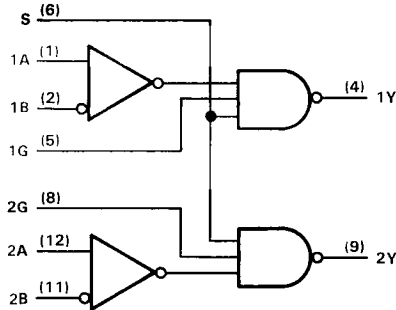
**SN55107A, SN55107B, SN55108A, SN55108B
SN75107A, SN75107B, SN75108A, SN75108B
DUAL LINE RECEIVERS**

logic symbols†



†These symbols are in accordance with ANSI/IEEE Std 91-1984 and IEC Publication 617-12. Pin numbers shown are for D, J, and N packages.

logic diagram (positive logic)



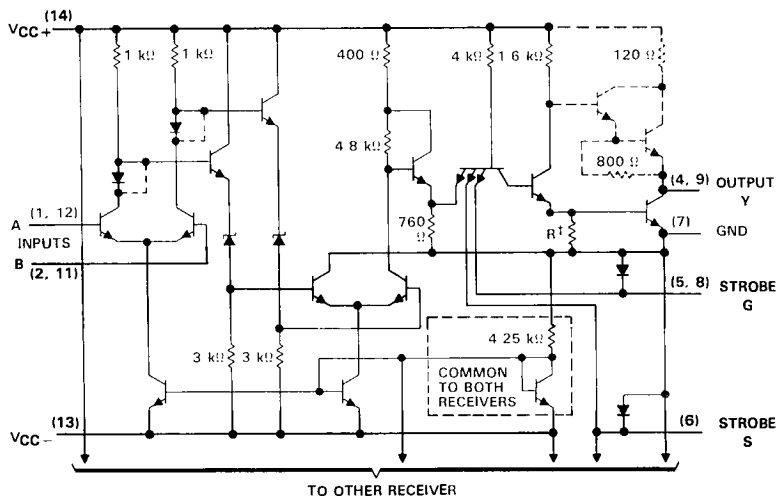
FUNCTION TABLE

DIFFERENTIAL INPUTS A-B	STROBES		OUTPUT
	G	S	Y
$V_{ID} \geq 25 \text{ mV}$	X	X	H
$-25 \text{ mV} < V_{ID} < 25 \text{ mV}$	X	L	H
	L	X	H
	H	H	Indeterminate
$V_{ID} \leq -25 \text{ mV}$	X	L	H
	L	X	H
	H	H	L

H = high level, L = low level, X = irrelevant

**SN55107A, SN55107B, SN55108A, SN55108B
SN75107A, SN75107B, SN75108A, SN75108B
DUAL LINE RECEIVERS**

schematic (each receiver)



Pin numbers shown are for D, J, and N packages.

$\dagger R = 1\text{ k}\Omega$ for '107A and '107B, $750\ \Omega$ for '108A and '108B.

NOTES: 1. Resistor values shown are nominal.

2. Components shown with dashed lines in the output circuitry are applicable to the '107A and '107B only. Diodes in series with the collectors of the differential input transistors are short circuited on '107A and '108A.

absolute maximum ratings over operating free-air temperature range (unless otherwise noted)

Supply voltage, VCC+ (see Note 3)	7 V
Supply voltage, VCC-	-7 V
Differential input voltage (see Note 4)	$\pm 6\text{ V}$
Common-mode input voltage (see Note 5)	$\pm 5\text{ V}$
Strobe input voltage	5.5 V
Continuous total dissipation at (or below) 25°C free-air temperature (see Note 6):	
D package	950 mW
FK or J package: Series 55	1375 mW
J package: Series 75	1025 mW
N package	1150 mW
Operating free-air temperature range: Series 55	-55°C to 125°C
Series 75	0°C to 70°C
Storage temperature range	-65°C to 150°C
Case temperature for 60 seconds: FK package	260°C
Lead temperature 1,6 mm (1/16 inch) from case for 60 seconds: J package	300°C
Lead temperature 1,6 mm (1/16 inch) from case for 10 seconds: D or N package	260°C

- NOTES: 3. All voltage values, except differential voltages, are with respect to network ground terminal.
 4. Differential voltage values are at the noninverting (A) terminal with respect to the inverting (B) terminal.
 5. Common-mode input voltage is the average of the voltages at the A and B inputs.
 6. For operation above 25°C free-air temperature, derate linearly at the following rates: 7.6 mW/°C for the D package, 11.0 mW/°C for the FK and J packages with series 55 chips, 8.2 mW/°C for the J package with series 75 chips, and 9.2 mW/°C for the N package.

SN55107A, SN55107B, SN55108A, SN55108B
SN75107A, SN75107B, SN75108A, SN75108B
DUAL LINE RECEIVERS

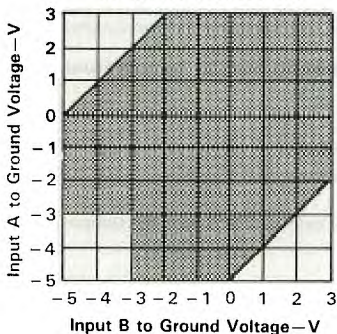
recommended operating conditions (see Note 7)

	SN55107A, SN55107B SN55108A, SN55108B			SN75107A, SN75107B SN75108A, SN75108B			UNIT
	MIN	NOM	MAX	MIN	NOM	MAX	
Supply voltage, V_{CC+}	4.5	5	5.5	4.75	5	5.25	V
Supply voltage, V_{CC-}	-4.5	-5	-5.5	-4.75	-5	-5.25	V
High-level input voltage between differential inputs, V_{IDH} (see Note 8)	0.025		5	0.025		5	V
Low-level input voltage between differential inputs, V_{IDL} (see Note 8)	-5 [†]		-0.025	-5 [†]		-0.025	V
Common-mode input voltage, V_{IC} (see Notes 8 and 9)	-3 [†]		3	-3 [†]		3	V
Input voltage, any differential input to ground (see Note 8)	-5 [†]		3	-5 [†]		3	V
High-level input voltage at strobe inputs, $V_{IH(S)}$	2		5.5	2		5.5	V
Low-level input voltage at strobe inputs, $V_{IL(S)}$	0		0.8	0		0.8	V
Low-level output current, I_{OL}			-16			-16	mA
Operating free-air temperature, T_A	-55		125	0		70	°C

[†] The algebraic convention, in which the less positive (more negative) limit is designated as minimum, is used in this data sheet for input voltage levels only.

- NOTES: 7. When using only one channel of the line receiver, the strobe G of the unused channel should be grounded and at least one of the differential inputs of the unused receiver should be terminated at some voltage between -3 V and 3 V.
8. The recommended combinations of input voltages fall within the shaded area of the figure shown.
9. The common-mode voltage may be as low as -4 V provided that the more positive of the two inputs is not more negative than -3 V.

RECOMMENDED COMBINATIONS
OF INPUT VOLTAGES



**SN55107A, SN55107B, SN55108A, SN55108B
SN75107A, SN75107B, SN75108A, SN75108B
DUAL LINE RECEIVERS**

electrical characteristics over recommended free-air temperature range (unless otherwise noted)

PARAMETER		TEST CONDITIONS [†]		'107A, '107B		'108A, '108B		UNIT	
				MIN	TYP [‡] MAX	MIN	TYP [‡] MAX		
I _{IH}	High-level input current	A	V _{CC±} = MAX	V _{ID} = 5 V	30	75	30	75	μA
		B		V _{ID} = -5 V	30	75	30	75	
I _{IL}	Low-level input current	A	V _{CC±} = MAX	V _{ID} = -5 V	-10		-10		μA
		B		V _{ID} = 5 V	-10		-10		
I _{IH}	High-level input current into 1G or 2G	V _{CC±} = MAX, V _{IH(S)} = 2.4 V			40		40	μA	
		V _{CC±} = MAX, V _{IH(S)} = MAX V _{CC+}			1		1	mA	
I _{IL}	Low-level input current into 1G or 2G	V _{CC±} = MAX, V _{IL(S)} = 0.4 V			-1.6		-1.6	mA	
I _{IH}	High-level input current into S	V _{CC±} = MAX, V _{IH(S)} = 2.4 V			80		80	μA	
		V _{CC±} = MAX, V _{IH(S)} = MAX V _{CC±}			2		2	mA	
I _{IL}	Low-level input current into S	V _{CC±} = MAX, V _{IL(S)} = 0.4 V			-3.2		-3.2	mA	
V _{OH}	High-level output voltage	V _{CC±} = MIN, V _{IL(S)} = 0.8 V, V _{IDH} = 25 mV, I _{OH} = -400 μA, V _{IC} = -3 V to 3 V		2.4				V	
V _{OL}	Low-level output voltage	V _{CC±} = MIN, V _{IH(S)} = 2 V, V _{IDL} = -25 mV, I _{OL} = 16 mA, V _{IC} = -3 V to 3 V			0.4		0.4	V	
I _{OH}	High-level output current	V _{CC±} = MIN, V _{OH} = MAX V _{CC+}					250	μA	
I _{OS}	Short-circuit output current [§]	V _{CC±} = MAX		-18	-70			mA	
I _{CCH+}	Supply current from V _{CC+} , outputs high	V _{CC±} = MAX, T _A = 25°C		18	30	18	30	mA	
I _{CCH-}	Supply current from V _{CC-} , outputs high	V _{CC±} = MAX, T _A = 25°C		-8.4	-15	-8.4	-15	mA	

[†] For conditions shown as MIN or MAX, use the appropriate value specified under recommended operating conditions.

[‡] All typical values are at V_{CC+} = 5 V, V_{CC-} = -5 V, T_A = 25°C.

[§] Not more than one output should be shorted at a time.

switching characteristics, V_{CC±} = ±5 V, T_A = 25°C (see Figure 1)

PARAMETER		TEST CONDITIONS		'107A, '107B		'108A, '108B		UNIT
				MIN	TYP MAX	MIN	TYP MAX	
t _{PLH(D)}	Propagation delay time, low-to-high-level output, from differential inputs A and B	R _L = 390 Ω, C _L = 50 pF		17	25			ns
		R _L = 390 Ω, C _L = 15 pF				19	25	
t _{PHL(D)}	Propagation delay time, high-to-low-level output, from differential inputs A and B	R _L = 390 Ω, C _L = 50 pF		17	25			ns
		R _L = 390 Ω, C _L = 15 pF				19	25	
t _{PLH(S)}	Propagation delay time, low-to-high-level output, from strobe input G or S	R _L = 390 Ω, C _L = 50 pF		10	15			ns
		R _L = 390 Ω, C _L = 15 pF				13	20	
t _{PHL(S)}	Propagation delay time, high-to-low-level output, from strobe input G or S	R _L = 390 Ω, C _L = 50 pF		8	15			ns
		R _L = 390 Ω, C _L = 15 pF				13	20	

**SN55107A, SN55107B, SN55108A, SN55108B
SN75107A, SN75107B, SN75108A, SN75108B
DUAL LINE RECEIVERS**

PARAMETER MEASUREMENT INFORMATION

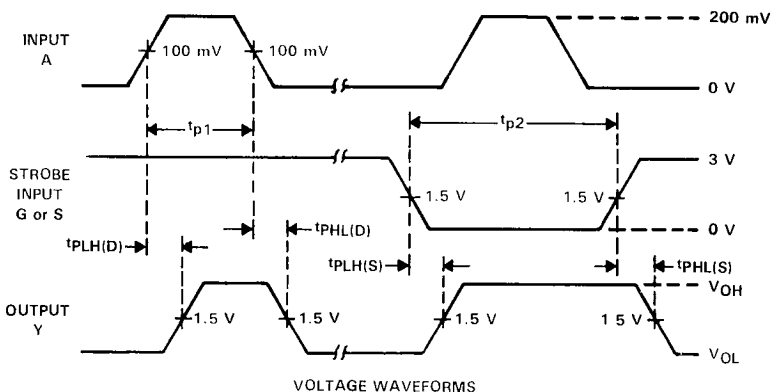
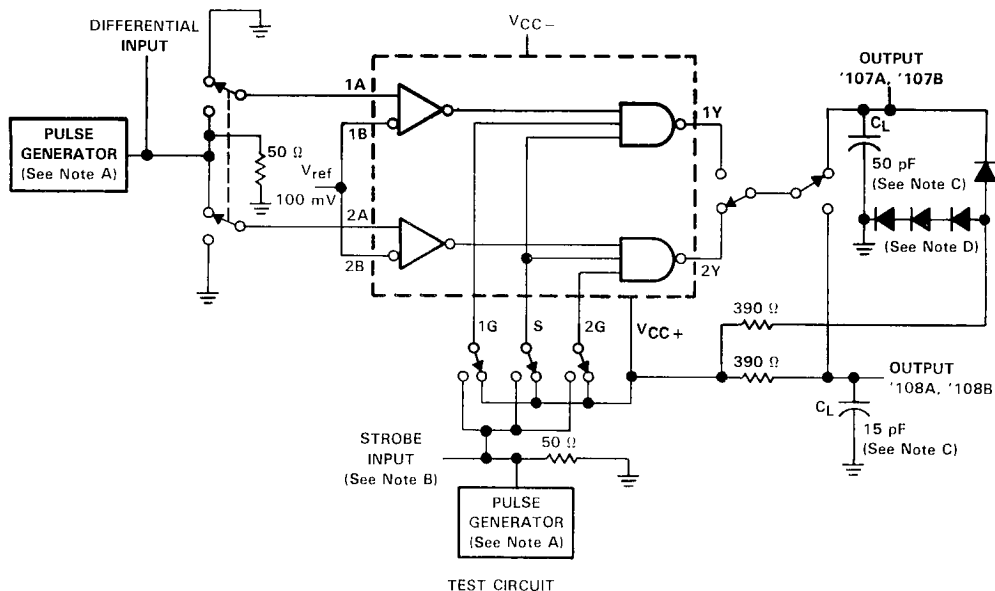


FIGURE 1. PROPAGATION DELAY TIMES

- NOTES: A. The pulse generators have the following characteristics: $Z_o = 50 \Omega$, $t_r = 10 \pm 5 \text{ ns}$, $t_f = 10 \pm 5 \text{ ns}$, $t_{pd1} = 500 \text{ ns}$, $\text{PRR} \leq 1 \text{ MHz}$, $t_{pd2} = 1 \mu\text{s}$, $\text{PRR} \leq 500 \text{ kHz}$.
 B. Strobe input pulse is applied to Strobe 1G when inputs 1A-1B are being tested, to Strobe S when inputs 1A-1B or 2A-2B are being tested, and to Strobe 2G when inputs 2A-2B are being tested.
 C. C_L includes probe and jig capacitance.
 D. All diodes are 1N916.

TYPICAL CHARACTERISTICS†

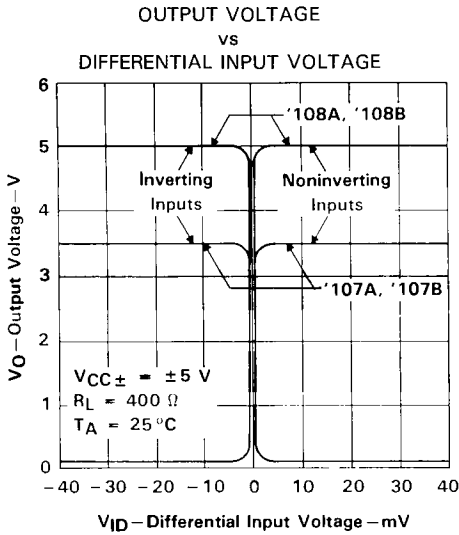


FIGURE 2

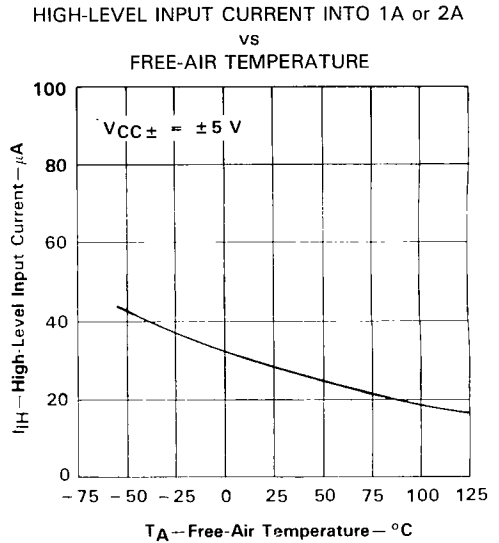


FIGURE 3

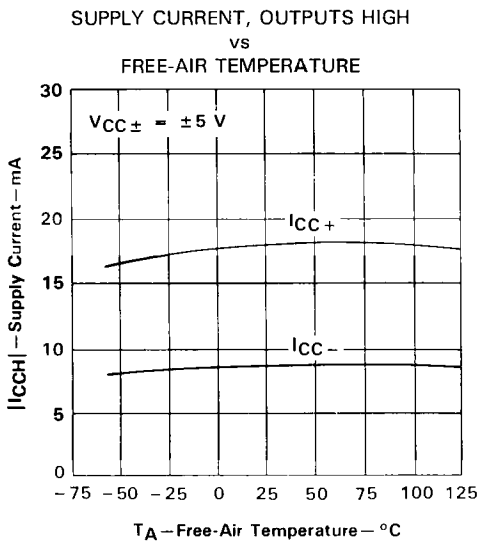


FIGURE 4

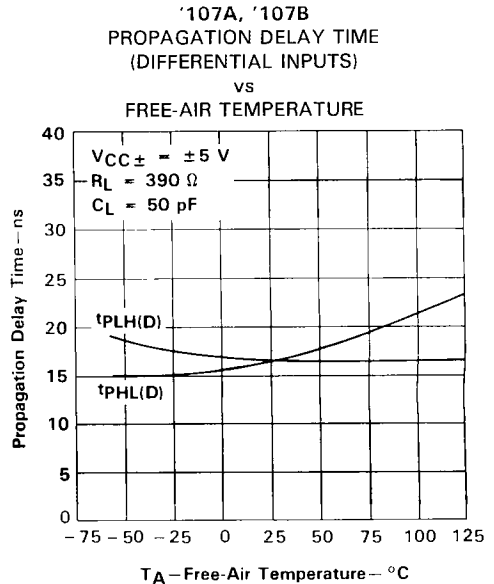


FIGURE 5

† Values below 0°C and above 70°C apply to SN55 Series only.

**SN55107A, SN55107B, SN55108A, SN55108B
SN75107A, SN75107B, SN75108A, SN75108B
DUAL LINE RECEIVERS**

TYPICAL CHARACTERISTICS†

'108A, '108B
PROPAGATION DELAY TIME, LOW-TO-HIGH LEVEL
(DIFFERENTIAL INPUTS)

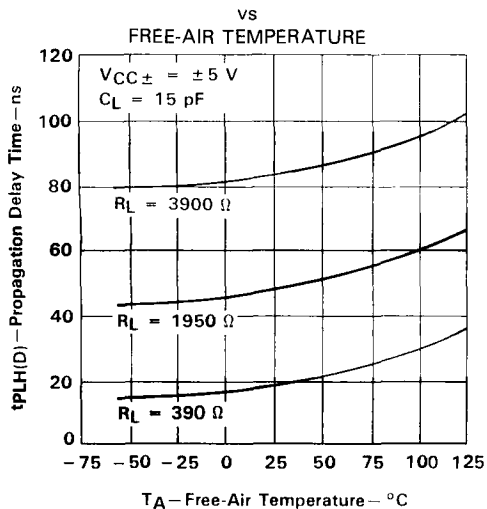


FIGURE 6

'108A, '108B
PROPAGATION DELAY TIME, HIGH-TO-LOW LEVEL
(DIFFERENTIAL INPUTS)

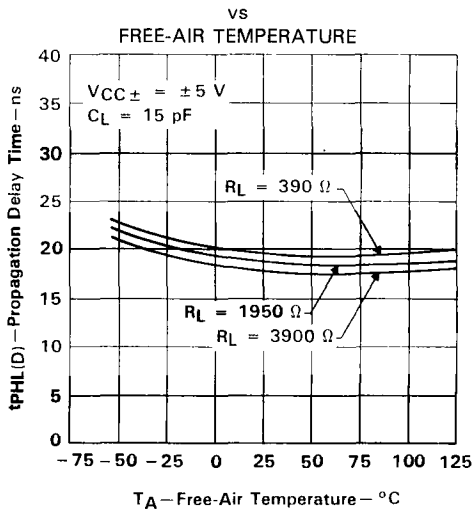


FIGURE 7

'107A, '107B
PROPAGATION DELAY TIME (STROBE INPUTS)
vs
FREE-AIR TEMPERATURE

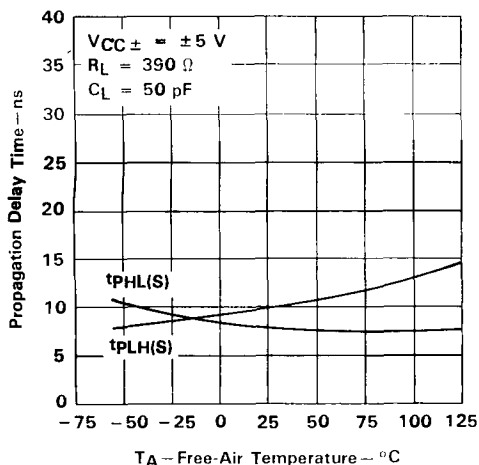


FIGURE 8

'108A, '108B
PROPAGATION DELAY TIME (STROBE INPUTS)
vs
FREE-AIR TEMPERATURE

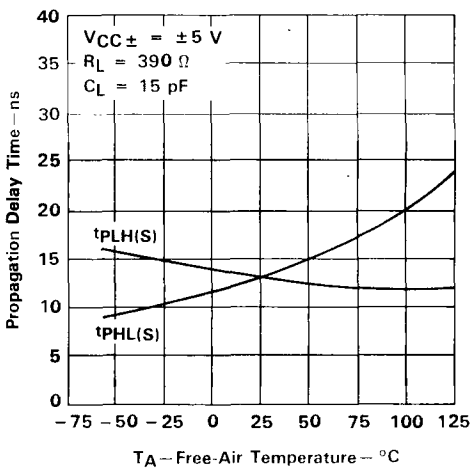


FIGURE 9

† Values below 0°C and above 70°C apply to SN55 Series only.

APPLICATION INFORMATION

basic balanced-line transmission system

The '107A, '107B, '108A, and '108B dual line circuits are designed specifically for use in high-speed data transmission systems that utilize balanced, terminated transmission lines such as twisted-pair lines. The system operates in the balanced mode, so noise induced on one line is also induced on the other. The noise appears common mode at the receiver input terminals where it is rejected. The ground connection between the line driver and receiver is not part of the signal circuit so that system performance is not affected by circulating ground currents.

The unique driver-output circuit allows terminated transmission lines to be driven at normal line impedances. High-speed system operation is ensured since line reflections are virtually eliminated when terminated lines are used. Crosstalk is minimized by low signal amplitudes and low line impedances.

The typical data delay in a system is approximately $(30 + 1.3L)$ ns, where L is the distance in feet separating the driver and receiver. This delay includes one gate delay in both the driver and receiver.

Data is impressed on the balanced-line system by unbalancing the line voltages with the driver output current. The driven line is selected by appropriate driver-input logic levels. The voltage difference is approximately:

$$V_{DIFF} \approx 1/2 I_{O(on)} \cdot R_T$$

High series line resistance will cause degradation of the signal. The receivers, however, will detect signals as low as 25 mV (or less). For normal line resistances, data may be recovered from lines of several thousand feet in length.

Line-termination resistors (R_T) are required only at the extreme ends of the line. For short lines, termination resistors at the receiver only may prove adequate. The signal amplitude will then be approximately:

$$V_{DIFF} \approx I_{O(on)} \cdot R_T$$

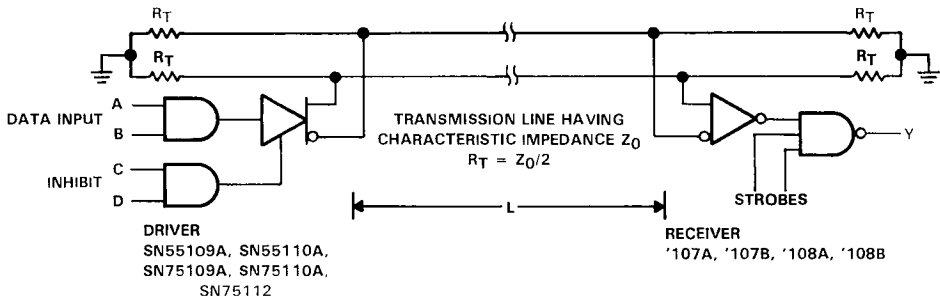


FIGURE 10

data-bus or party-line system

The strobe feature of the receivers and the inhibit feature of the drivers allow these dual line circuits to be used in data-bus or party-line systems. In these applications, several drivers and receivers may share a common transmission line. An enabled driver transmits data to all enabled receivers on the line while other drivers and receivers are disabled. Data is thus time-multiplexed on the transmission line. The device specifications allow widely varying thermal and electrical environments at the various driver and receiver locations. The data-bus system offers maximum performance at minimum cost.

SN55107A, SN55107B, SN55108A, SN55108B
SN75107A, SN75107B, SN75108A, SN75108B
DUAL LINE RECEIVERS

APPLICATION INFORMATION

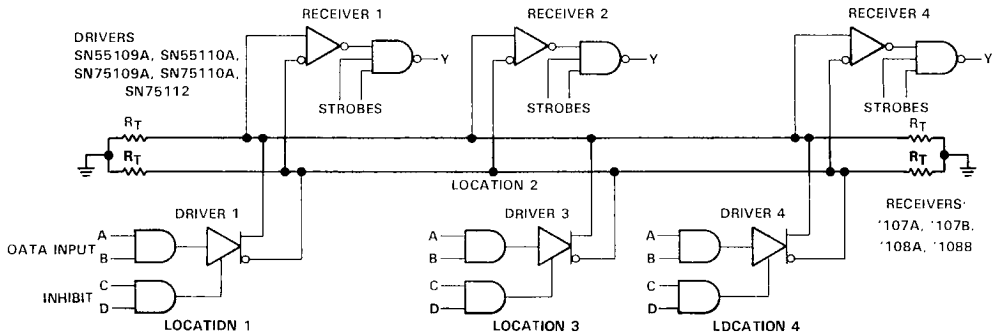


FIGURE 11

unbalanced or single-line systems

These dual line circuits may also be used in unbalanced or single-line systems. Although these systems do not offer the same performance as balanced systems for long lines, they are adequate for very short lines where environmental noise is not severe.

The receiver threshold level is established by applying a dc reference voltage to one receiver input terminal. The signal from the transmission line is applied to the remaining input. The reference voltage should be optimized so that signal swing is symmetrical about it for maximum noise margin. The reference voltage should be in the range of -3 V to 3 V . It can be provided by a voltage supply or by a voltage divider from an available supply voltage.

A single-ended output from a driver may be used in single-line systems. Coaxial or shielded line is preferred for minimum noise and crosstalk problems. For large signal swings, the high output current (typically 27 mA) of the SN75112 is recommended. Drivers may be paralleled for higher current. When using only one channel of the line drivers, the other channel should be inhibited and/or have its outputs grounded.

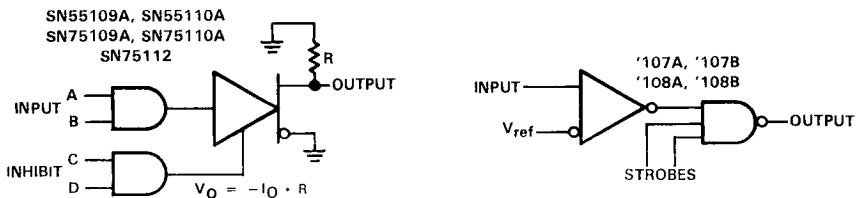


FIGURE 12

APPLICATION INFORMATION

'108A, '108B dot-AND output connections

The '108A, '108B line receivers feature an open-collector-output circuit that can be connected in the dot-AND logic configuration with other similar open-collector outputs. This allows a level of logic to be implemented without additional logic delay.

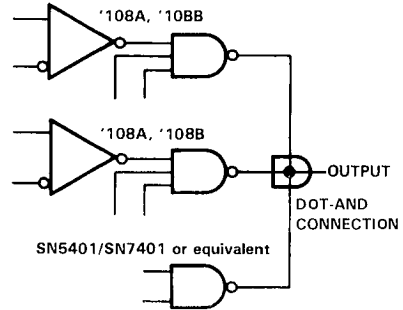


FIGURE 13

increasing common-mode input voltage range of receiver

The common-mode voltage range or CMVR is defined as the range of voltage applied simultaneously to both input terminals that if exceeded does not allow normal operation of the receiver.

The recommended operating CMVR is ± 3 V, making it useful in all but the noisiest environments. In extremely noisy environments, common-mode voltage can easily reach ± 10 V to ± 15 V if some precautions are not taken to reduce ground and power supply noise, as well as crosstalk problems. When the receiver must operate in such conditions, input attenuators should be used to decrease the system common-mode noise to a tolerable level at the receiver inputs. Differential noise is also reduced by the same ratio.

These attenuators have been intentionally omitted from the receiver input terminals so the designer may select resistors that will be compatible with his particular application or environment. Furthermore, the use of attenuators adversely affects the input sensitivity, the propagation delay time, the power dissipation, and in some cases (depending on the selected resistor values) the input impedance, therefore reducing the versatility of the receiver.

The ability of the receiver to operate with approximately ± 15 V common-mode voltage at the inputs has been checked using the circuit shown in Figure 14. The resistors R1 and R2 provide a voltage divider network. Dividers with three different values presenting a 5-to-1 attenuation were used so as to operate the differential inputs at approximately ± 3 V common-mode voltage. Careful matching of the two attenuators is needed so as to balance the overdrive at the input stage. The resistors used are shown in Table A.

TABLE A

Attenuator 1: R1 = 2 k Ω , R2 = 0.5 k Ω
Attenuator 2: R1 = 6 k Ω , R2 = 1.5 k Ω
Attenuator 3: R1 = 12 k Ω , R2 = 3 k Ω

TABLE B. TYPICAL PROPAGATION DELAYS FOR RECEIVER WITH ATTENUATOR TEST CIRCUIT SHOWN IN FIGURE 14

DEVICE	PARAMETERS	INPUT ATTENUATOR	TYPICAL (ns)
'107A, '107B	'PLH	1	20
		2	32
		3	42
	'PHL	1	22
		2	31
		3	33
'108A, '108B	'PLH	1	36
		2	47
		3	57
	'PHL	1	29
		2	38
		3	41

Table B shows some of the typical switching results obtained under such conditions.

**SN55107A, SN55107B, SN55108A, SN55108B
SN75107A, SN75107B, SN75108A, SN75108B
DUAL LINE RECEIVERS**

APPLICATION INFORMATION

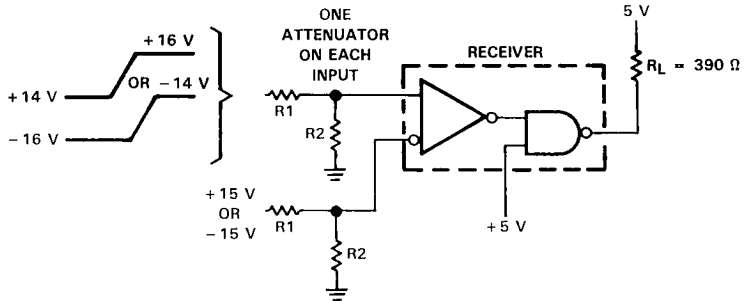


FIGURE 14. COMMON-MODE CIRCUIT FOR TESTING INPUT ATTENUATORS, WITH RESULTS SHOWN IN TABLE B

Two methods of terminating a transmission line to reduce reflections are:

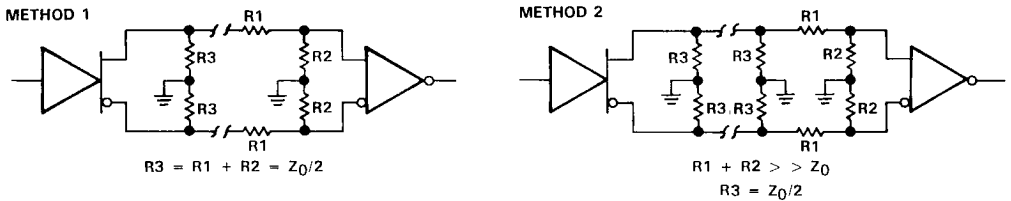


FIGURE 15

The first method uses the resistors as the attenuation network and line termination. The second method uses two additional resistors for the line terminations.

APPLICATION INFORMATION

For party-line operation, method 2 should be used as follows:

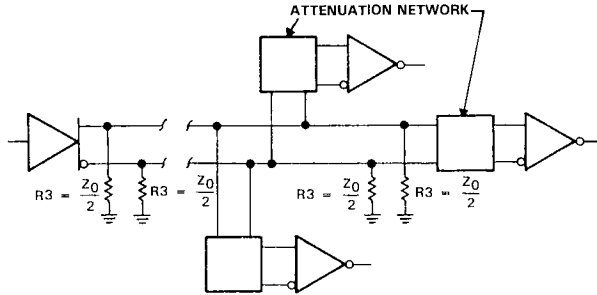


FIGURE 16

To minimize the loading, the values of R1 and R2 should be fairly large. Examples of possible values are shown in Table A.

furnace control using the SN75108A

The furnace control circuit in Figure 17 is an example of the possible use of the SN55107A Series in areas other than what would normally be considered electronic systems. Basically the operation of this control is as follows. When the room temperature is below the desired level, the resistance of the room temperature sensor is high and channel 1 noninverting input is below (less positive than) the reference level set on the input differential amplifier. This situation causes a low output, operating the "heat on" relay and turning on the heat. The channel 2 noninverting input is below the reference level when the bonnet temperature of the furnace reaches the desired level. This causes a low output, thus operating the blower relay. Normally the furnace is shut down when the room temperature reaches the desired level and the channel 1 output goes high, turning the heat off. The blower remains on as long as the bonnet temperature is high, even after the "heat on" relay is off. There is also a safety switch in the bonnet that shuts the furnace down if the temperature there exceeds desired limitations. The types of temperature-sensing devices and bias-resistor values used are determined by the particular operating conditions encountered.

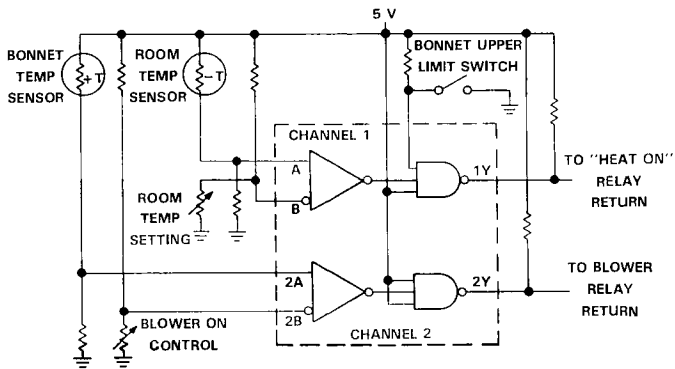


FIGURE 17. FURNACE CONTROL USING SN75108A

SN55107A, SN55107B, SN55108A, SN55108B
SN75107A, SN75107B, SN75108A, SN75108B
DUAL LINE RECEIVERS

APPLICATION INFORMATION

repeaters for long lines

In some cases, the driven line may be so long that the noise level on the line reaches the common-mode limits or the attenuation becomes too large and results in poor reception. In such a case, a simple application of a receiver and a driver as repeaters [shown in Figure 18(a)] restores the signal level and allows an adequate signal level at the receiving end. If multichannel operation is desired, then proper gating for each channel must be sent through the repeater station using another repeater set as in Figure 18(b).

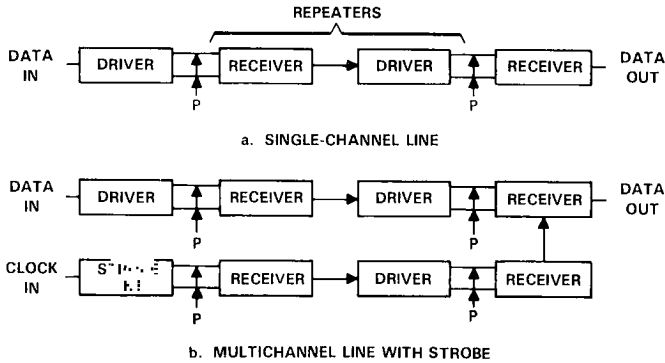


FIGURE 18. RECEIVER-DRIVER REPEATERS

receiver as dual differential comparator

There are many applications for differential comparators, such as voltage comparison, threshold detection, controlled Schmitt triggering, and pulse width control.

As a differential comparator, a '107A or '108A may be connected so as to compare the noninverting input terminal with the inverting input as shown in Figure 19. Thus the output will be high or low resulting from the A input being greater or less than the reference. The strobe inputs allow additional control over the circuit so that either output or both may be inhibited.

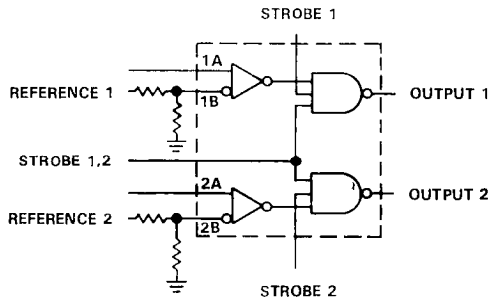
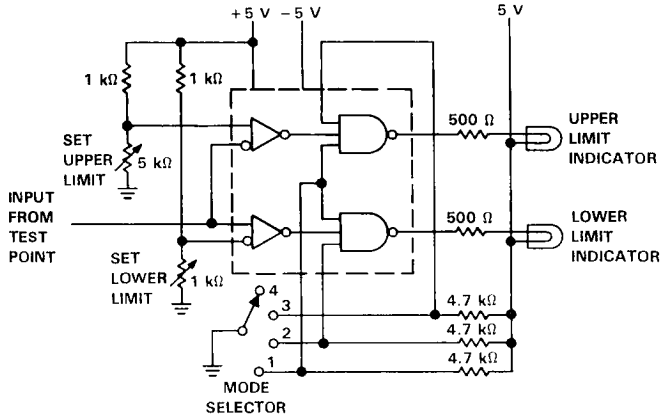


FIGURE 19. SN55107A SERIES RECEIVER AS A DUAL DIFFERENTIAL COMPARATOR

APPLICATION INFORMATION

window detector

The window detector circuit in Figure 20 has a large number of applications in test equipment and in determining upper limits, lower limits, or both at the same time — such as detecting whether a voltage or signal has exceeded its limits or "window". Illumination of the upper-limit (lower-limit) indicator shows that the input voltage is above (below) the selected upper (lower) limit. A mode selector is provided for selecting the desired test. For window detecting, the "upper and lower limits" test position is used.



MODE SELECTOR LEGEND

POSITION	CONDITION
1	OFF
2	TEST FOR UPPER LIMIT
3	TEST FOR LOWER LIMIT
4	TEST FOR UPPER AND LOWER LIMITS

FIGURE 20. WINDOW DETECTOR USING SN75108A

**SN55107A, SN55107B, SN55108A, SN55108B
 SN75107A, SN75107B, SN75108A, SN75108B
 DUAL LINE RECEIVERS**

APPLICATION INFORMATION

temperature controller with zero-voltage switching

The circuit in Figure 21 switches an electric resistive heater on or off by providing negative-going pulses to the gate of a triac during the time interval when the line voltage is passing through zero. The pulse generator is the 2N5447 and four diodes. This portion of the circuit provides negative-going pulses during the short time (approximately 100 μ s) when the line voltage is near zero. These pulses are fed to the inverting input of one channel of the '108A. If the room temperature is below the desired level, the resistance of the thermistor is high and the noninverting input of channel 2 is above the reference level determined by the thermostat setting. This provides a high-level output from channel 2. This output is AND'ed with the positive-going pulses from the output of channel 1, which are reinverted in the 2N5449. This output is AND'ed with the positive-going pulses from the output of channel 1, which are reinverted in the 2N5449.

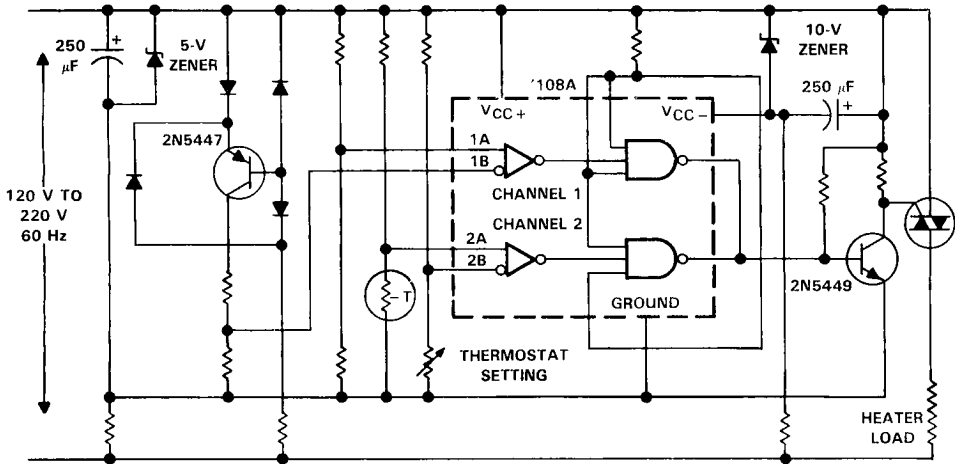


FIGURE 21. ZERO-VOLTAGE SWITCHING TEMPERATURE CONTROLLER

SN55109A, SN55110A SN75109A, SN75110A, SN75112 . . . DUAL LINE DRIVERS

D2106, DECEMBER 1975—REVISED MAY 1990

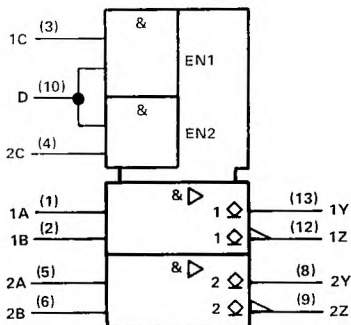
- Improved Stability over Supply Voltage and Temperature Ranges
- Constant-Current Outputs
- High Speed
- Standard Supply Voltages
- High Output Impedance
- High Common-Mode Output Voltage Range (-3 V to 10 V)
- TTL Input Compatibility
- Inhibitor Available for Driver Selection
- Glitch-Free During Power-Up/Down

-55°C to 125°C J or FK PACKAGE	0°C to 70°C J or N PACKAGE	OUTPUT FUNCTION
SN55109A	SN75109A	6-mA Current Switch
SN55110A	SN75110A	12-mA Current Switch
	SN75112	27-mA Current Switch

description

The SN55109A, SN55110A, SN75109A, SN75110A, and SN75112 have improved output current regulation with supply voltage and temperature variations. In addition, the higher current of the SN75112 (27 mA) allows data to be transmitted over longer lines. These drivers offer optimum performance when used with the SN55107A, SN55108A, SN75107A, and SN75108A line receivers.

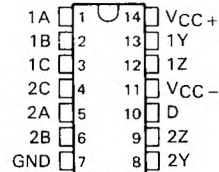
logic symbol†



† This symbol is in accordance with ANSI/IEEE Std 91-1984 and IED Publication 617-12.

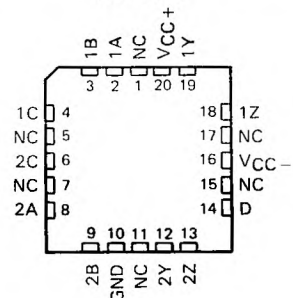
SN55109A, SN55110A, . . . J PACKAGE
SN75109A, SN75110A, SN75112 . . .

D, J, OR N PACKAGE
(TOP VIEW)



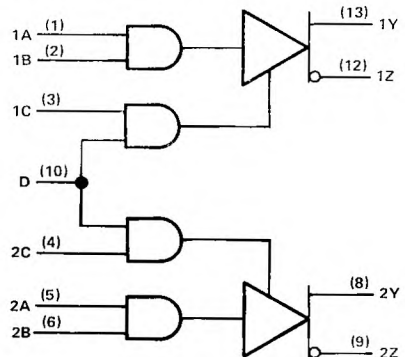
SN55109A, SN55110A . . . FK PACKAGE

(TOP VIEW)



NC—No internal connection

logic diagram (positive logic)



Pin numbers shown are for D, J, and N packages.

PRODUCTION DATA documents contain information as of publication date. Products conform to specifications per the terms of Texas Instruments standard warranty. Production processing does not necessarily include testing of all parameters.

**TEXAS
INSTRUMENTS**

POST OFFICE BOX 655303 • DALLAS, TEXAS 75265

Copyright © 1990, Texas Instruments Incorporated

**SN55109A, SN55110A
SN75109A, SN75110A, SN75112
DUAL LINE DRIVERS**

description (continued)

These drivers feature independent channels with common voltage supply and ground terminals. The significant difference between the three drivers is in the output current specification. The driver circuits feature a constant output current that is switched to either of two output terminals by the appropriate logic levels at the input terminals. The output current can be switched off (inhibited) by low logic levels on the enable inputs. The output current is nominally 6 mA for the '109A, 12 mA for the '110A, and 27 mA for the SN75112.

The enable/inhibit feature is provided so the circuits can be used in party-line or data-bus applications. A strobe or inhibitor (enable D), common to both drivers, is included for increased driver-logic versatility. The output current in the inhibited mode, $I_{O(off)}$, is specified so that minimum line loading is induced when the driver is used in a party-line system with other drivers. The output impedance of the driver in the inhibited mode is very high—the output impedance of a transistor biased to cutoff.

The driver outputs have a common-mode voltage range of -3 V to 10 V , allowing common-mode voltage on the line without affecting driver performance.

All inputs are diode clamped and are designed to satisfy TTL-system requirements. The inputs are tested at 2 V for high-logic-level input conditions and 0.8 V for low-logic-level input conditions. These tests assure 400 mV of noise margin when interfaced with Series 54/74 TTL.

The SN55109A and SN55110A are characterized for operation over the full military temperature range of -55°C to 125°C . The SN75109A, SN75110A, and SN75112 are characterized for operation from 0°C to 70°C .

FUNCTION TABLE (EACH DRIVER)

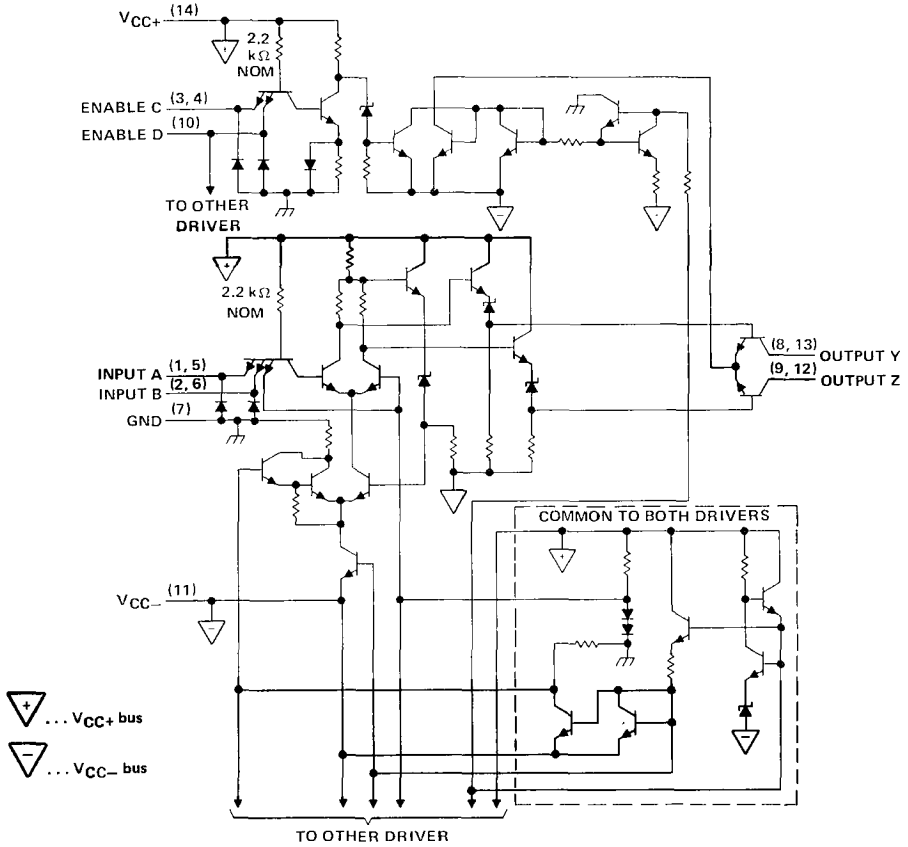
LOGIC INPUTS		ENABLE INPUTS		OUTPUTS [†]	
A	B	C	D	Y	Z
X	X	L	X	OFF	OFF
X	X	X	L	OFF	OFF
L	X	H	H	ON	OFF
X	L	H	H	ON	OFF
H	H	H	H	OFF	ON

H = high level, L = low level, X = irrelevant

[†]When using only one channel of the line drivers, the other channel should be inhibited and/or have its outputs grounded.

**SN55109A, SN55110A
SN75109A, SN75110A, SN75112
DUAL LINE DRIVERS**

schematic (each driver)



Pin numbers shown are for D, J, and N packages.

**SN55109A, SN55110A
SN75109A, SN75110A, SN75112
DUAL LINE DRIVERS**

absolute maximum ratings over operating free-air temperature range (unless otherwise noted)

	SN55109A SN55110A	SN75109A SN75110A	SN75112	UNIT
V _{CC+} Supply voltage (see Note 1)	7	7	7	V
V _{CC-} Supply voltage	-7	-7	-7	V
V _I Input voltage	5.5	5.5	5.5	V
Output voltage range	-5 to 12	-5 to 12	-5 to 12	V
Continuous total power dissipation (see Note 2)	See Dissipation Rating Table			
Operating free-air temperature range	-55 to 125	0 to 70	0 to 70	°C
Storage temperature range	-65 to 150	-65 to 150	-65 to 150	°C
Case temperature for 60 seconds: FK package	260			°C
Lead temperature 1,6 mm (1/16 inch) from case for 60 seconds: J package	300		300	°C
Lead temperature 1,6 mm (1/16 inch) from case for 10 seconds	D package		260	°C
	N package	260	260	

- NOTES: 1. Voltage values are with respect to network ground terminal.
2. In the FK or J package, SN55109A and SN55110A chips are either silver glass or alloy mounted, and SN75109A, SN75110A, and SN75112 chips are glass mounted.

DISSIPATION RATING TABLE

PACKAGE	T _A = 25°C	DERATING FACTOR	T _A = 70°C	T _A = 125°C
	POWER RATING	ABOVE T _A = 25°C	POWER RATING	POWER RATING
D	950 mW	7.6 mW/°C	mW	—
FK	1375 mW	11.0 mW/°C	880 mW	275 mW
J (SN55 _____ A)	1375 mW	11.0 mW/°C	880 mW	275 mW
J (SN75 _____)	1025 mW	8.2 mW/°C	656 mW	—
N	1150 mW	9.2 mW/°C	736 mW	—

recommended operating conditions (see Note 3)

PARAMETER	SN55109A, SN75109A		SN55110A, SN75110A, SN75112		UNIT
	MIN	TYP [‡]	MAX	TYP [‡]	
Supply Voltage V_{CC+}	$T_A \geq 0^\circ\text{C}$		4.5	5.5	V
	$T_A < 0^\circ\text{C}$		4.75	5.5	V
Supply voltage V_{CC-}	$T_A \geq 0^\circ\text{C}$		-4.5	-5.5	V
	$T_A < 0^\circ\text{C}$		-4.75	-5.5	V
Positive common-mode output voltage			0	10	V
Negative common-mode output voltage			0	-3	V
High-level input voltage, V_{IH}			2	2	V
Low-level input voltage, V_{IL}			0.8	0.8	V
Operating free-air temperature, T_A			-55	125	$^\circ\text{C}$

NOTE 3: When using only one channel of the line drivers, the other channel should be inhibited and/or have its outputs grounded.

electrical characteristics over recommended operating free-air temperature range (unless otherwise noted)

PARAMETER	TEST CONDITIONS [†]	SN55109A, SN75109A		SN55110A, SN75110A		SN75112		UNIT
		MIN	TYP [‡]	MAX	MIN	TYP [‡]	MAX	
V_{IK} Input clamp voltage	$V_{CC\pm} = \text{MIN.}$, $I_I = -12 \text{ mA}$	-0.9	1.5	-0.9	-1.5	-0.9	-1.5	V
$I_{O(on)}$ On-state output current	$V_{CC\pm} = \text{MAX.}$, $V_O = 10 \text{ V}$	6	7	12	15	27	36	mA
	$V_{CC\pm} = \text{MIN.}$, $V_O = -3 \text{ V}$	3.5	6	6.5	12	18	27	mA
$I_{O(off)}$ Off-state output current	$V_{CC\pm} = \text{MIN.}$, $V_O = 10 \text{ V}$	100		100		100		μA
	$V_{CC\pm} = \text{MAX.}$, $V_I = 5.5 \text{ V}$	1		1		1		μA
I_I Input current at maximum input voltage	A, B, or C inputs	2		2		2		mA
	D input	40		40		40		μA
I_{IH} High-level input current	A, B, or C inputs	30		30		30		mA
	D input	-3		-3		-3		mA
I_{IL} Low-level input current	A, B, or C inputs	-6		-6		-6		mA
	D input	18		18		18		mA
$I_{CC+(on)}$ Supply current from V_{CC+} with driver enabled	$V_{CC\pm} = \text{MAX.}$, A and B inputs at 0.4 V, C and D inputs at 2 V	23	35	23	35	25	40	mA
$I_{CC-(on)}$ Supply current from V_{CC-} with driver enabled	$V_{CC\pm} = \text{MAX.}$, A, B, C, and D inputs at 0.4 V	-34	-50	-34	-50	-65	-100	mA
$I_{CC+(off)}$ Supply current from V_{CC+} with driver inhibited	$V_{CC\pm} = \text{MAX.}$, A, B, C, and D inputs at 0.4 V	21		21		30		mA
$I_{CC-(off)}$ Supply current from V_{CC-} with driver inhibited	$V_{CC\pm} = \text{MAX.}$, A, B, C, and D inputs at 0.4 V	-17		-17		-32		mA

[†]For conditions shown as MIN or MAX, use appropriate value specified under recommended operating conditions.

[‡]All typical values are at $V_{CC+} = 5 \text{ V}$, $V_{CC-} = -5 \text{ V}$, $T_A = 25^\circ\text{C}$.

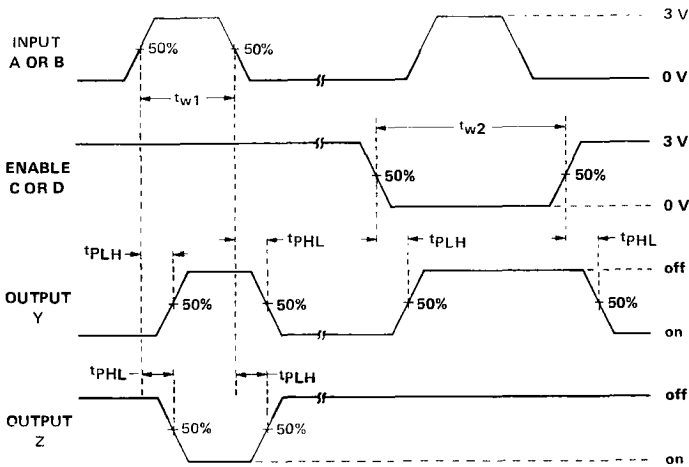
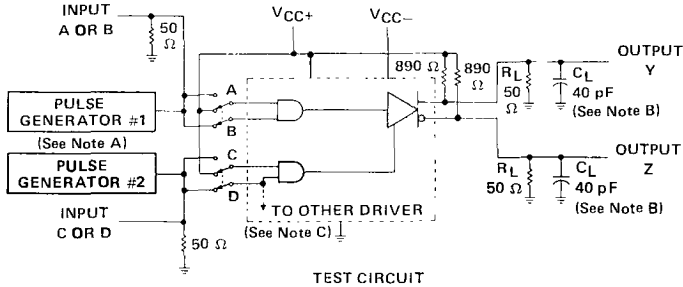
**SN55109A, SN55110A
SN75109A, SN75110A, SN75112
DUAL LINE DRIVERS**

switching characteristics, $V_{CC+} = 5\text{ V}$, $V_{CC-} = -5\text{ V}$, $T_A = 25^\circ\text{C}$

PARAMETER†	FROM (INPUT)	TO (OUTPUT)	TEST CONDITIONS	MIN	TYP	MAX	UNIT
t_{PLH}	A or B	Y or Z	$C_L = 40\text{ pF}$, $R_L = 50\ \Omega$, See Figure 1		9	15	ns
t_{PHL}					9	15	ns
t_{PLH}	C or D	Y or Z			16	25	ns
t_{PHL}					13	25	ns

† t_{PLH} = Propagation delay time, low-to-high-level output.
 t_{PHL} = Propagation delay time, high-to-low-level output.

PARAMETER MEASUREMENT INFORMATION



VOLTAGE WAVEFORMS

NOTES: A. The pulse generators have the following characteristics: $Z_0 = 50\ \Omega$, $t_e = t_f = 10 \pm 5\text{ ns}$, $t_{w1} = 500\text{ ns}$, $\text{PRR} \leq 1\text{ MHz}$, $t_{w2} = 1\ \mu\text{s}$, $\text{PRR} \leq 500\text{ kHz}$.
 B. C_L includes probe and jig capacitance.
 C. For simplicity, only one channel and the enable connections are shown.

FIGURE 1. PROPAGATION DELAY TIMES

TYPICAL CHARACTERISTICS

ON-STATE OUTPUT CURRENT
vs
NEGATIVE SUPPLY VOLTAGE

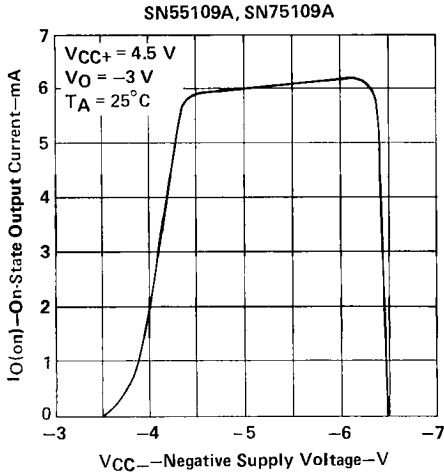


FIGURE 2

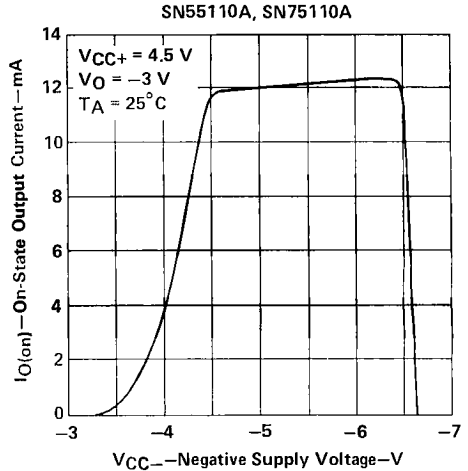


FIGURE 3

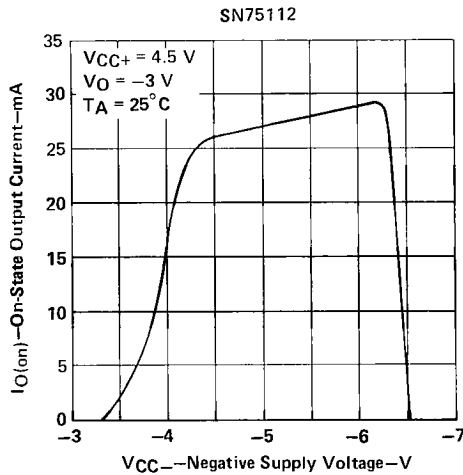


FIGURE 4

**SN55109A, SN55110A
SN75109A, SN75110A, SN75112
DUAL LINE DRIVERS**

APPLICATION INFORMATION

special pulse-control circuit

Figure 5 shows a circuit that may be used as a pulse generator output or in many other testing applications.

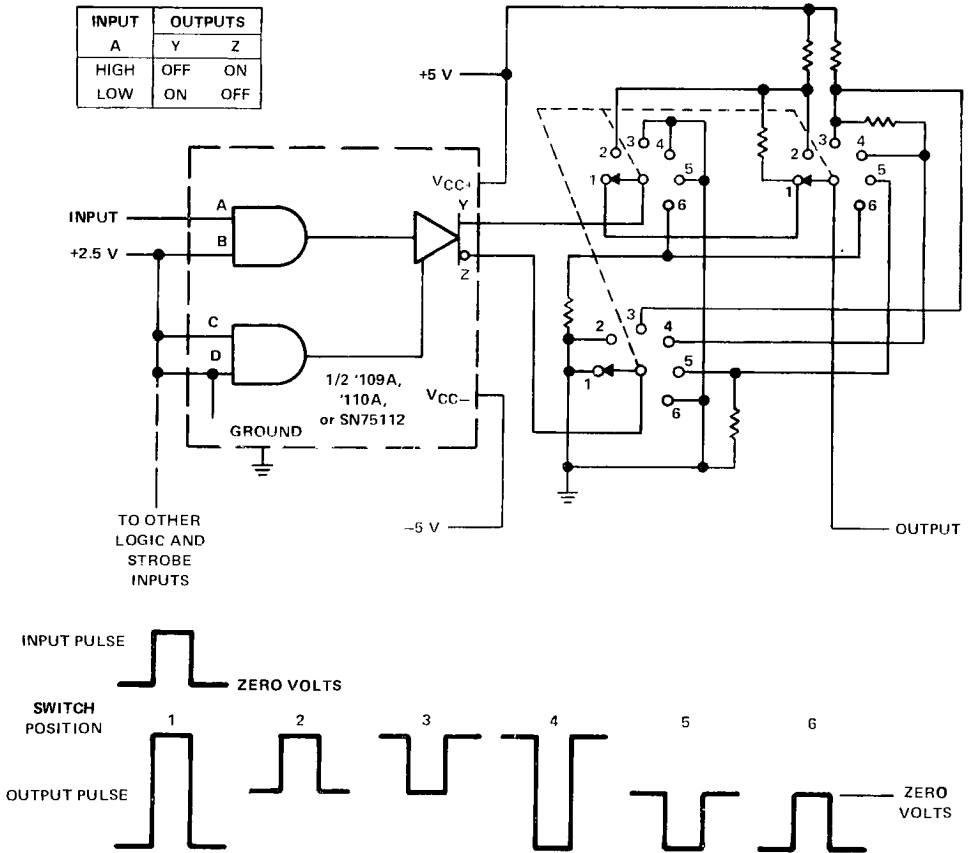


FIGURE 5. PULSE CONTROL CIRCUIT

SN55111, SN75111 QUADRUPLE LINE DRIVERS WITH COMMON ENABLES

D3000, FEBRUARY 1986—REVISED OCTOBER 1988

- Similar to a Dual Version of the SN55109A/SN75109A Line Driver
- Improved Stability Over Supply Voltage and Temperature Ranges
- Constant-Current Outputs
- High Output Impedance
- High Common-Mode Output Voltage Range (−3 V to 10 V)
- Glitch-Free Power-Up/Power-Down Operation
- TTL Input Compatibility
- Common Enable Circuit

description

The SN55111 and SN75111 feature four line drivers with a common enable input. When the enable input is high, a constant output current is switched between each pair of output terminals in response to the logic level at that channel's input. When the enable is low, all channel outputs are nonconductive (transistors biased to cutoff). This feature minimizes loading in party-line systems where a large number of drivers share the same line.

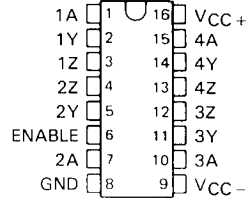
The driver outputs have a common-mode voltage range of −3 V to 10 V, allowing common-mode voltages on the line without affecting driver performance.

All outputs should be maintained within the recommended common-mode output voltage range to ensure that the channels do not interact with each other. To minimize power dissipation, all unused inputs should be grounded.

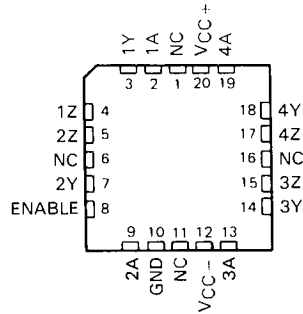
All inputs are diode clamped and are designed to satisfy TTL-system requirements. The inputs are tested at 2 V for high-logic-level input conditions and 0.8 V for low-logic-level input conditions. These tests guarantee 400 mV of noise margin when interfaced with Series 54/74 TTL.

The SN55111 is characterized for operation from −55°C to 125°C. The SN75111 is characterized for operation from 0°C to 70°C.

SN55111 . . . J PACKAGE
SN75111 . . . D, J, OR N PACKAGE
(TOP VIEW)

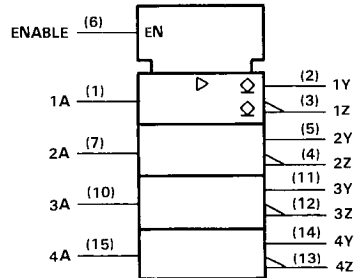


SN55111 . . . FK PACKAGE
(TOP VIEW)



NC—No internal connection

logic symbol†



†This symbol is in accordance with ANSI/IEEE Std 91-1984 and IEC Publication 617-12.

Pin numbers shown are for D, J, and N packages.

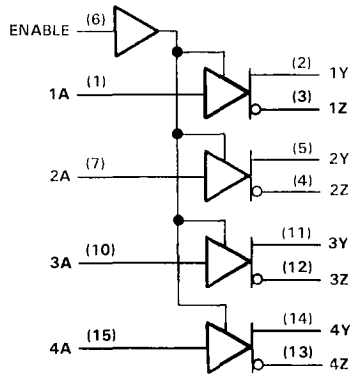
SN55111, SN75111
QUADRUPLE LINE DRIVERS WITH COMMON ENABLES

FUNCTION TABLE

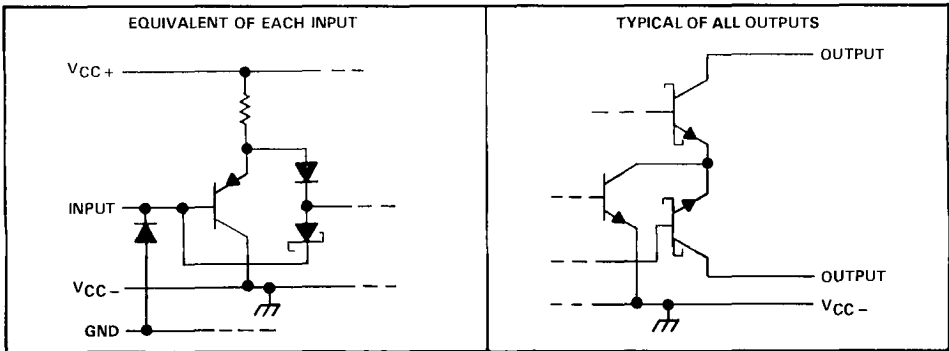
LOGIC INPUT	ENABLE INPUT	OUTPUT CURRENT	
		Z	Y
H	H	ON	OFF
L	H	OFF	ON
H	L	OFF	OFF
L	L	OFF	OFF

L = low logic level
H = high logic level

logic diagram (positive logic)



schematics of inputs and outputs



SN55111, SN75111

QUADRUPLE LINE DRIVERS WITH COMMON ENABLES

absolute maximum ratings over operating free-air temperature range (unless otherwise noted)

Supply voltage, V_{CC+} (see Note 1)	7 V
Supply voltage, V_{CC-}	-7 V
Input voltage (any input)	5.5 V
Output voltage range (any output)	-5 V to 12 V
Continuous total dissipation	See Dissipation Rating Table
Operating free-air temperature range: SN55111	-55°C to 125°C
SN75111	0°C to 70°C
Storage temperature range	-65°C to 150°C
Case temperature for 60 seconds: FK package	260°C
Lead temperature 1,6 mm (1/16 inch) from case for 10 seconds: D or N package	260°C
Lead temperature 1,6 mm (1/16 inch) from case for 60 seconds: J package	300°C

NOTE 1: All voltage values are with respect to network ground terminal.

DISSIPATION RATING TABLE

PACKAGE	$T_A \leq 25^\circ\text{C}$	DERATING FACTOR	$T_A = 70^\circ\text{C}$	$T_A = 85^\circ\text{C}$
	POWER RATING	ABOVE $T_A = 25^\circ\text{C}$	POWER RATING	POWER RATING
D	950 mW	7.6 mW/°C	608 mW	N/A
FK	1375 mW	11.0 mW/°C	880 mW	275 mW
J (SN55111)	1375 mW	11.0 mW/°C	880 mW	275 mW
J (SN75111)	1025 mW	8.2 mW/°C	656 mW	N/A
N	1150 mW	9.2 mW/°C	736 mW	N/A

recommended operating conditions (see Note 2)

		SN55111			SN75111			UNIT
		MIN	NOM	MAX	MIN	NOM	MAX	
Supply voltage, V_{CC+}	$T_A \geq 25^\circ\text{C}$	4.5	5	5.5	4.75	5	5.25	V
	$T_A < 25^\circ\text{C}$	4.75	5	5.5	4.75	5	5.25	
Supply voltage, V_{CC-}	$T_A \geq 25^\circ\text{C}$	-4.5	-5	-5.5	-4.75	-5	-5.25	V
	$T_A < 25^\circ\text{C}$	-4.75	-5	-5.5	-4.75	-5	-5.25	
High-level input voltage, V_{IH}		2	5.5		2	5.5	V	
Low-level input voltage, V_{IL}		0	0.8		0	0.8	V	
Common-mode output voltage range	V_{OCR+}	0	10		0	10	V	
	V_{OCR-}	0	-3		0	-3		
Operating free-air temperature, T_A		-55	125		0	70	°C	

NOTE 2: All unused outputs should be grounded.

SN55111, SN75111
QUADRUPLE LINE DRIVERS WITH COMMON ENABLES

electrical characteristics over recommended operating free-air temperature range, $V_{CC+} = \text{MAX}$, $V_{CC-} = \text{MAX}$ (unless otherwise noted)

PARAMETER	TEST CONDITIONS [†]		MIN	TYP [‡]	MAX	UNIT
V_{IK} Input clamp voltage	$I_I = -12 \text{ mA}$		-0.9	-1.5		V
$I_{O(on)}$ On-state output current	$V_{CC+} = \text{MAX}$,	$V_{CC-} = \text{MAX}$		5.5	7	mA
	$V_{CC+} = \text{MIN}$,	$V_{CC-} = \text{MIN}$	3.5	5.5		
$I_{O(off)}$ Off-state output current	$V_{CC+} = \text{MAX}$,	$V_{CC-} = \text{MIN}, V_O = 10\text{V}$			100	μA
I_{IH} High-level input current	$V_I = 2.4 \text{ V}$				40	mA
	$V_I = V_{CC+} \text{ MAX}$				1	
I_{IL} Low-level input current	$V_I = 0.4 \text{ V}$				-1.6	mA
I_{CC+} Supply current from V_{CC+}	A inputs at 0.4 V	Enable at 2 V		28	40	mA
		Enable at 0.4 V		27	40	
I_{CC-} Supply current from V_{CC-}	A inputs at 0.4 V	Enable at 2 V		-43	-55	mA
		Enable at 0.4 V		-25	-35	

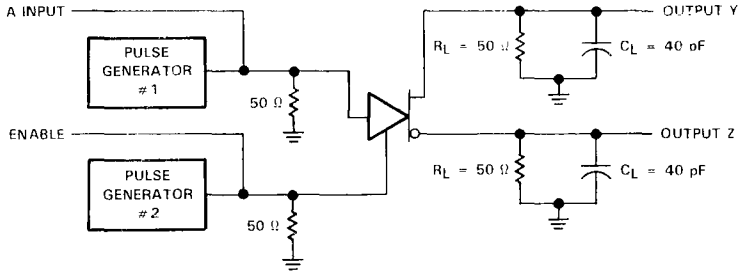
[†]For conditions shown as MIN or MAX, use the appropriate value specified under recommended operating conditions.

[‡]All typical values are at $V_{CC+} = 5 \text{ V}$, $V_{CC-} = -5 \text{ V}$, and $T_A = 25^\circ\text{C}$.

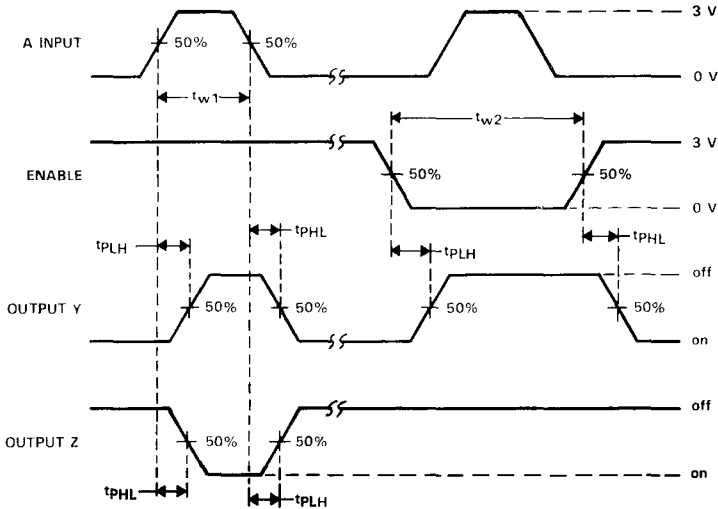
switching characteristics, $V_{CC+} = 5 \text{ V}$, $V_{CC-} = -5 \text{ V}$, $R_L = 50 \Omega$, $C_L = 40 \text{ pF}$, $T_A = 25^\circ\text{C}$

PARAMETER	FROM (INPUT)	TO (OUTPUT)	TEST CONDITIONS	MIN	TYP	MAX	UNIT
t_{PLH} Propagation delay time, low-to-high-level output	A	Y or Z	See Figure 1		9	15	ns
t_{PHL} Propagation delay time, high-to-low-level output	A	Y or Z			7	15	ns
t_{PLH} Propagation delay time, low-to-high-level output	Enable	Y or Z			14	25	ns
t_{PHL} Propagation delay time, high-to-low-level output	Enable	Y or Z			15	25	ns

PARAMETER MEASUREMENT INFORMATION



TEST CIRCUIT



VOLTAGE WAVEFORMS

- NOTES: A. The pulse generators have the following characteristics: $Z_0 \approx 50 \Omega$, $t_r = t_f = 10 \pm 5 \text{ ns}$, $t_{w1} \leq 200 \text{ ns}$, $\text{PRR} \leq 1 \text{ MHz}$, $t_{w2} \leq 1 \mu\text{s}$, $\text{PRR} \leq 500 \text{ kHz}$.
 B. C_L includes probe and jig capacitance.

FIGURE 1. PROPAGATION DELAY TIMES



SN55113, SN75113 DUAL DIFFERENTIAL LINE DRIVERS

D1315, SEPTEMBER 1973--REVISED SEPTEMBER 1986

- Choice of Open-Collector, Open-Emitter, or 3-State Outputs
- High-Impedance Output State for Party-Line Applications
- Single-Ended or Differential AND/NAND Outputs
- Single 5-V Supply
- Dual Channel Operation
- Compatible With TTL
- Short-Circuit Protection
- High-Current Outputs
- Common and Individual Output Controls
- Clamp Diodes at Inputs and Outputs
- Easily Adaptable to SN55114 and SN75114 Applications
- Designed for Use With SN55115 and SN75115

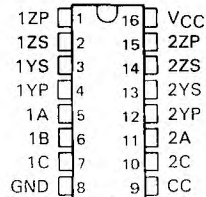
description

The SN55113 and SN75113 dual differential line drivers with 3-state outputs are designed to provide all the features of the SN55114 and SN75114 line drivers with the added feature of driver output controls. Individual controls are provided for each output pair, as well as a common control for both output pairs. If any output is low, the associated output is in a high-impedance state and the output can neither drive nor load the bus. This permits many devices to be connected together on the same transmission line for party-line applications.

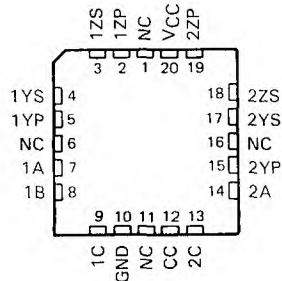
The output stages are similar to TTL totem-pole outputs, but with the sink outputs, YS and ZS, and the corresponding active pull-up terminals, YP and ZP, available on adjacent package pins.

The SN55113 is characterized for operation over the full military temperature range of -55°C to 125°C . The SN75113 is characterized for operation over the temperature range of 0°C to 70°C .

SN55113 . . . J PACKAGE
SN75113 . . . D, J, OR N PACKAGE
(TOP VIEW)



SN55113 . . . FK PACKAGE
(TOP VIEW)



NC—No internal connection

FUNCTION TABLE

INPUTS			OUTPUTS	
OUTPUT	CONTROL	DATA	AND	NAND
C	CC	A B [†]	Y	Z
L	X	X X	Z	Z
X	L	X X	Z	Z
H	H	L X	L	H
H	H	X L	L	H
H	H	H H	H	L

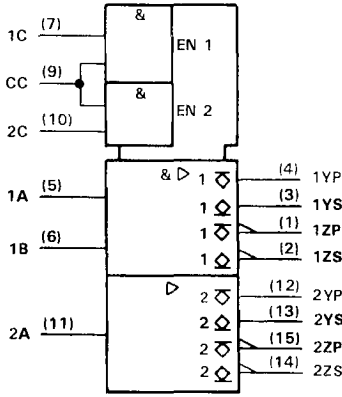
H = high level, L = low level, X = irrelevant,

Z = high impedance (off)

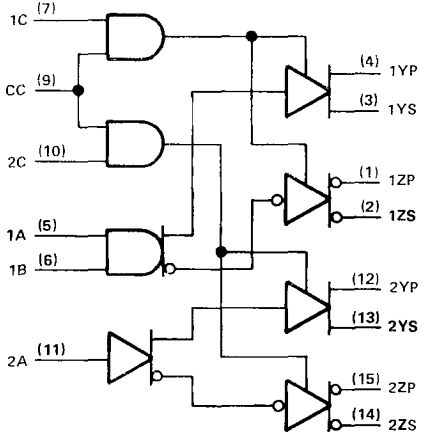
[†]B input and 4th line of function table are applicable only to driver number 1.

SN55113, SN75113 DUAL DIFFERENTIAL LINE DRIVERS

logic symbol†



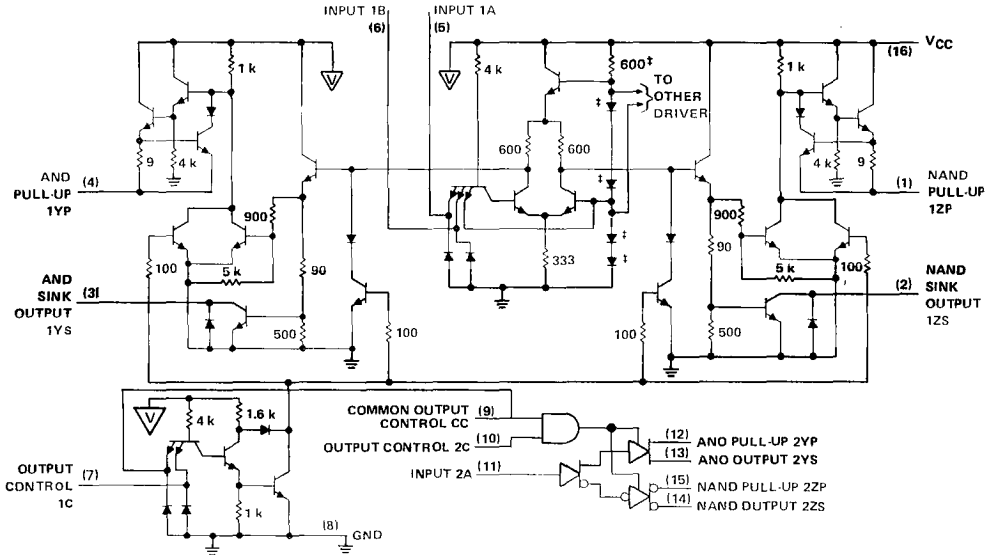
logic diagram (positive logic)




†This symbol is in accordance with ANSI/IEEE Std 91-1984 and IEC Publication 617-12.

Pin numbers shown are for D, J, and N packages.

schematic



 ... VCC bus

‡These components common to both drivers.
Resistor values shown are nominal and in ohms.

SN55113, SN75113 DUAL DIFFERENTIAL LINE DRIVERS

absolute maximum ratings over operating free-air temperature range (unless otherwise noted)

Supply voltage, V_{CC} (see Note 1)	7 V
Input voltage	5.5 V
Off-state voltage applied to open-collector outputs	12 V
Continuous total power dissipation (see Note 2)	See Dissipation Rating Table
Operating free-air temperature range: SN55113	-55°C to 125°C
SN75113	0°C to 70°C
Storage temperature range	-65°C to 150°C
Lead temperature 1,6 mm (1/16 inch) from case for 10 seconds: D or N package	260°C
Case temperature for 60 seconds: FK package	260°C
Lead temperature 1,6 mm (1/16 inch) from case for 60 seconds: J package	300°C

- NOTES: 1. All voltage values are with respect to network ground terminal.
 2. In the J and FK packages, SN55113 chips are alloy mounted; SN75113 chips are glass mounted.

DISSIPATION RATING TABLE

PACKAGE	$T_A \leq 25^\circ\text{C}$	DERATING FACTOR	$T_A = 70^\circ\text{C}$	$T_A = 125^\circ\text{C}$
	POWER RATING	ABOVE $T_A = 25^\circ\text{C}$	POWER RATING	POWER RATING
D	950 mW	7.6 mW/°C	608 mW	N/A
FK	1375 mW	11.0 mW/°C	880 mW	275 mW
J (SN55113)	1375 mW	11.0 mW/°C	880 mW	275 mW
J (SN75113)	1025 mW	8.2 mW/°C	656 mW	N/A
N	1150 mW	9.2 mW/°C	736 mW	N/A

recommended operating conditions

	SN55113			SN75113			UNIT
	MIN	NOM	MAX	MIN	NOM	MAX	
Supply voltage, V_{CC}	4.5	5	5.5	4.75	5	5.25	V
High-level input voltage, V_{IH}	2			2			V
Low-level input voltage, V_{IL}			0.8			0.8	V
High-level output current, I_{OH}			-40			-40	mA
Low-level output current, I_{OL}			40			40	mA
Operating free-air temperature, T_A	-55		125	0		70	°C

SN55113, SN75113 DUAL DIFFERENTIAL LINE DRIVERS

electrical characteristics over recommended operating free-air temperature range (unless otherwise noted)

PARAMETER	TEST CONDITIONS [†]		SN55113			SN75113			UNIT	
			MIN	TYP [‡]	MAX	MIN	TYP [‡]	MAX		
V _{IK} Input clamp voltage	V _{CC} = MIN, I _I = -12 mA		-0.9		-1.5	-0.9		-1.5	V	
V _{OH} High-level output voltage	V _{CC} = MIN, V _{IL} = 0.8 V	V _{IH} = 2 V, I _{OH} = -10 mA	2.4	3.4		2.4	3.4		V	
			2	3.0		2	3.0			
V _{OL} Low-level output voltage	V _{CC} = MIN, V _{IL} = 0.8 V	V _{IH} = 2 V, I _{OL} = 40 mA	0.23	0.4		0.23	0.4		V	
V _{OK} Output clamp voltage	V _{CC} = MAX, I _O = -40 mA		-1.1		-1.5	-1.1		-1.5	V	
I _{O(off)} Off-state open-collector output current	V _{CC} = MAX	V _{OH} = 12 V	T _A = 25°C			1			μA	
			T _A = 125°C			200				
		V _{OH} = 5.25 V	T _A = 25°C			1				
			T _A = 70°C			20				
I _{OZ} Off-state (high-impedance-state) output current	V _{CC} = MAX, Output controls at 0.8 V	T _A = MAX	T _A = 25°C, V _O = 0 to V _{CC}			±10			μA	
			V _O = 0			-150				
			V _O = 0.4 V			±80				
			V _O = 2.4 V			±80				
			V _O = V _{CC}			80				
I _I Input current at maximum input voltage	A, B, C	V _{CC} = MAX, V _I = 5.5 V	1			1			mA	
	CC		2			2				
I _{IH} High-level input current	A, B, C	V _{CC} = MAX, V _I = 2.4 V	40			40			μA	
	CC		80			80				
I _{IL} Low-level input current	A, B, C	V _{CC} = MAX, V _I = 0.4 V	-1.6			-1.6			mA	
	CC		-3.2			-3.2				
I _{OS} Short-circuit output current [§]	V _{CC} = MAX, V _O = 0	T _A = 25°C	40	90	-120	-40	90	-120	mA	
I _{CC} Supply current (both drivers)	All inputs at 0 V, No load, T _A = 25°C		V _{CC} = MAX			47			65	
			V _{CC} = 7 V			65			85	

[†]All parameters with the exception of off-state open-collector output current are measured with the active pull-up connected to the sink output.

[‡]All typical values are at T_A = 25°C and V_{CC} = 5 V, with the exception of I_{CC} at 7 V.

[§]Only one output should be shorted at a time, and duration of the short-circuit should not exceed one second.

switching characteristics, V_{CC} = 5 V, C_L = 30 pF, T_A = 25°C

PARAMETER	TEST CONDITIONS	SN55113			SN75113			UNIT
		MIN	TYP	MAX	MIN	TYP	MAX	
t _{PLH} Propagation delay time, low-to-high-level output	See Figure 1	13	20		13	30		ns
t _{PHL} Propagation delay time, high-to-low-level output		12	20		12	30		ns
t _{PZH} Output enable time to high level	R _L = 180 Ω, See Figure 2	7	15		7	20		ns
t _{PZL} Output enable time to low level	R _L = 250 Ω, See Figure 3	14	30		14	40		ns
t _{PHZ} Output disable time from high level	R _L = 180 Ω, See Figure 2	10	20		10	30		ns
t _{PLZ} Output disable time from low level	R _L = 250 Ω, See Figure 3	17	35		17	35		ns

PARAMETER MEASUREMENT INFORMATION

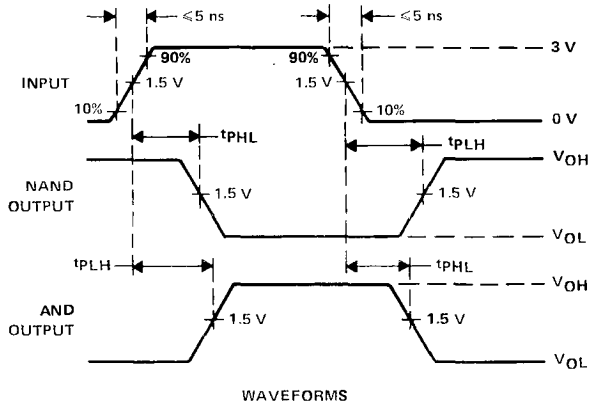
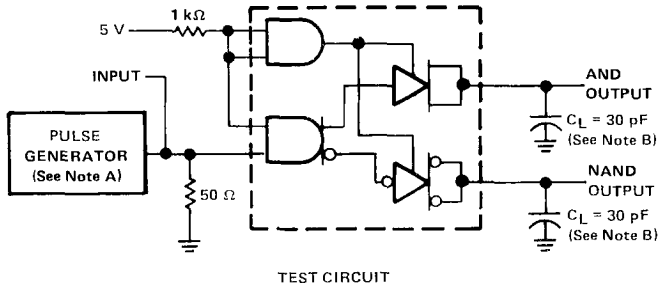
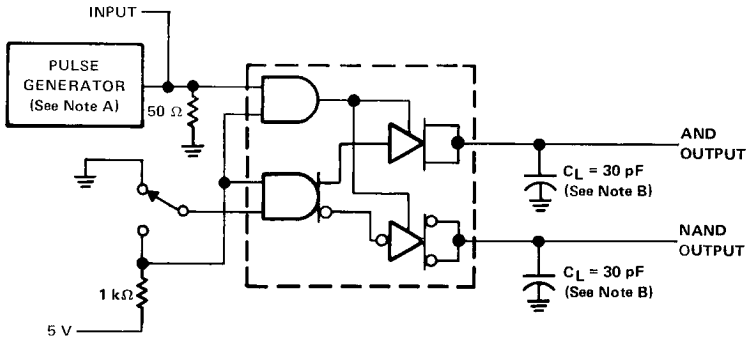


FIGURE 1. t_{PLH} and t_{PHL}

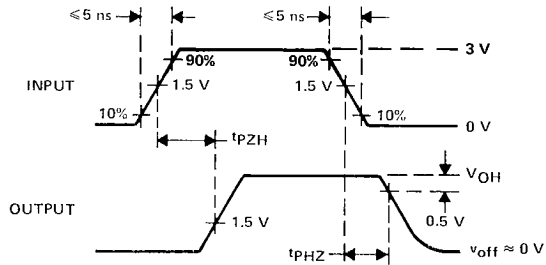
- NOTES: A. The pulse generator has the following characteristics: $Z_0 = 50 \Omega$, $PRR \leq 500 \text{ kHz}$, $t_w = 100 \text{ ns}$.
B. C_L includes probe and jig capacitance.

**SN55113, SN75113
DUAL DIFFERENTIAL LINE DRIVERS**

PARAMETER MEASUREMENT INFORMATION



TEST CIRCUIT

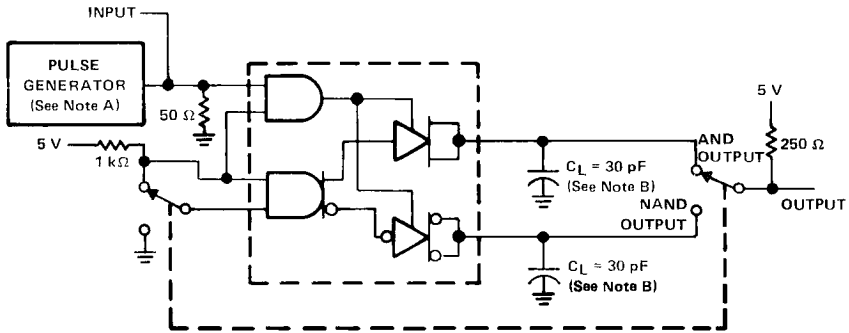


WAVEFORMS

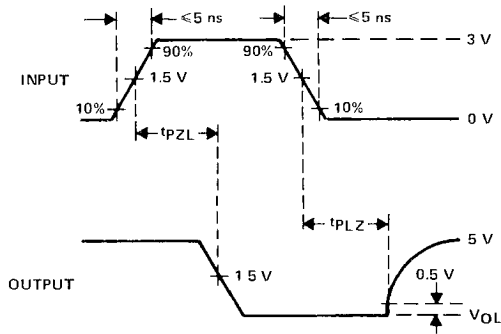
FIGURE 2. t_{pZH} and t_{pHZ}

NOTES: A. The pulse generator has the following characteristics: $Z_o = 50 \text{ } \Omega$, $\text{PRR} \leq 500 \text{ kHz}$, $t_w = 100 \text{ ns}$.
B. C_L includes probe and jig capacitance.

PARAMETER MEASUREMENT INFORMATION



TEST CIRCUIT

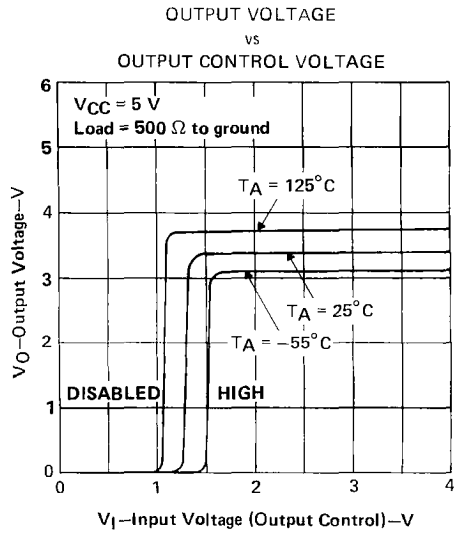
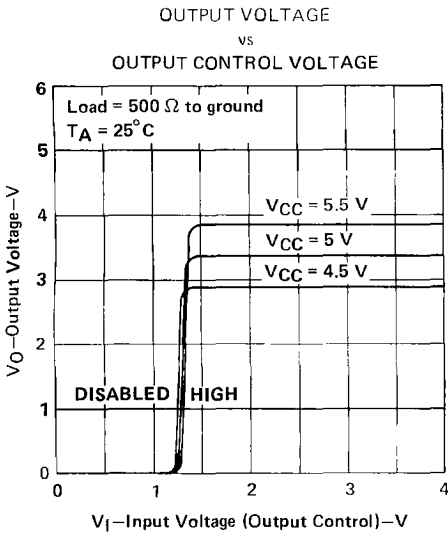
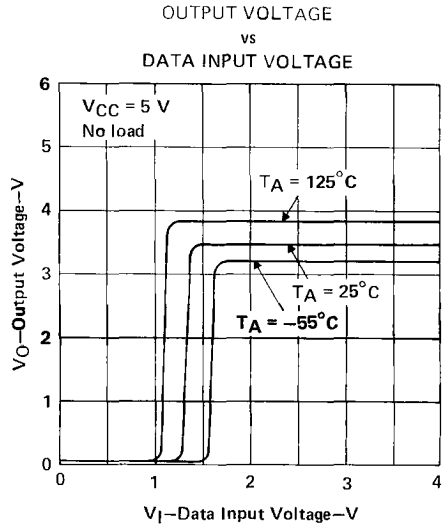
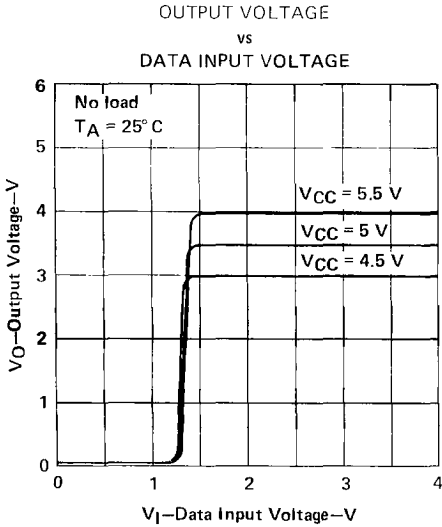


WAVEFORMS

FIGURE 3. t_{pZL} and t_{PLZ}

NOTES: A. The pulse generator has the following characteristics: $Z_0 = 50 \Omega$, $PRR \leq 500 \text{ kHz}$, $t_w = 100 \text{ ns}$.
 B. C_L includes probe and jig capacitance.

TYPICAL CHARACTERISTICS†



†Data for temperatures below 0°C and above 70°C and for supply voltages below 4.75 V and above 5.25 V are applicable to SN55113 circuits only. These parameters were measured with the active pull-up connected to the sink output.

TYPICAL CHARACTERISTICS†

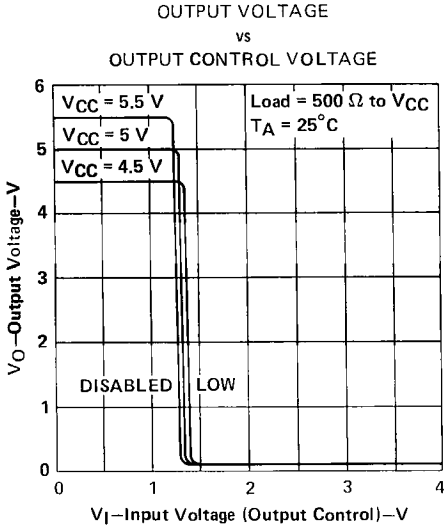


FIGURE 8

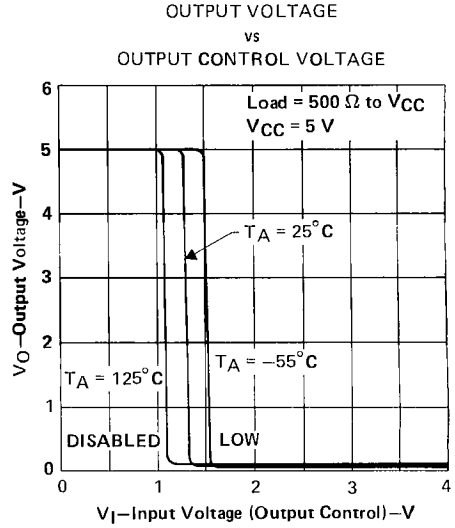


FIGURE 9

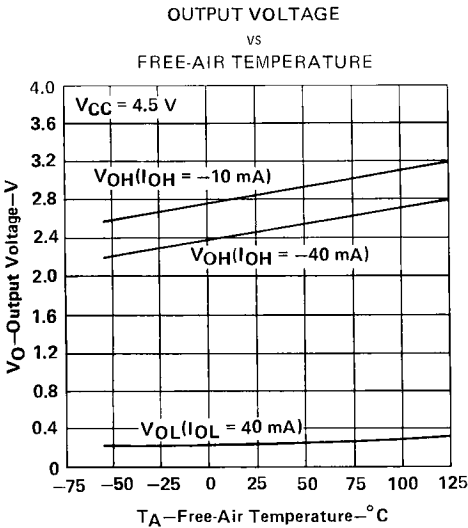


FIGURE 10

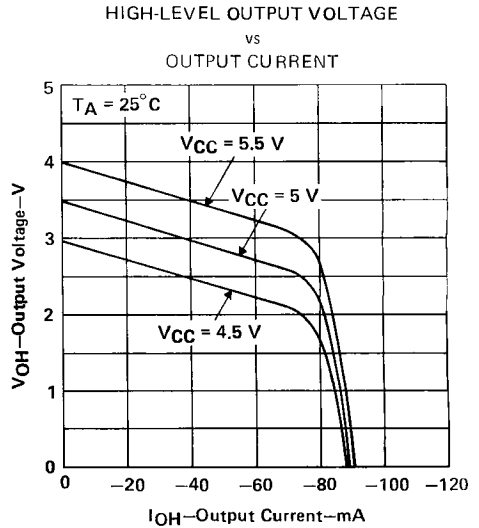


FIGURE 11

†Data for temperatures below 0°C and above 70°C and for supply voltages below 4.75 V and above 5.25 V are applicable to SN55113 circuits only. These parameters were measured with the active pull-up connected to the sink output.

**SN55113, SN75113
DUAL DIFFERENTIAL LINE DRIVERS**

TYPICAL CHARACTERISTICS†

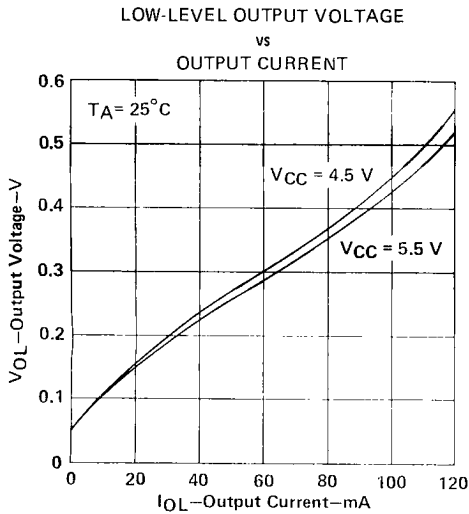


FIGURE 12

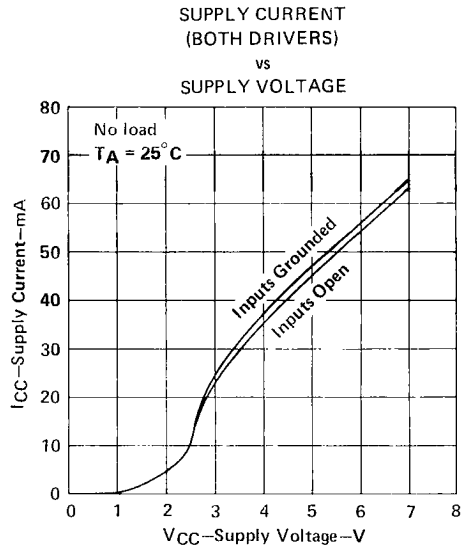


FIGURE 13

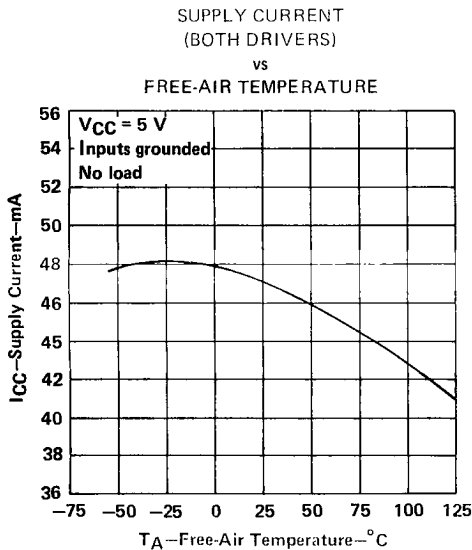


FIGURE 14

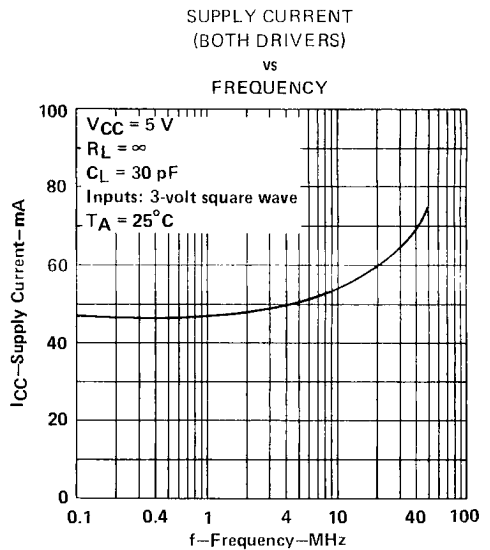


FIGURE 15

†Data for temperatures below 0°C and above 70°C and for supply voltages below 4.75 V and above 5.25 V are applicable to SN55113 circuits only. These parameters were measured with the active pull-up connected to the sink output.

TYPICAL CHARACTERISTICS†

PROPAGATION DELAY TIMES
FROM DATA INPUTS
vs
FREE-AIR TEMPERATURE

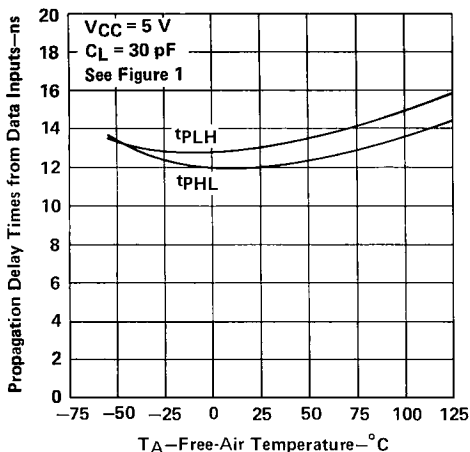


FIGURE 16

OUTPUT ENABLE AND DISABLE TIMES
vs
FREE-AIR TEMPERATURE

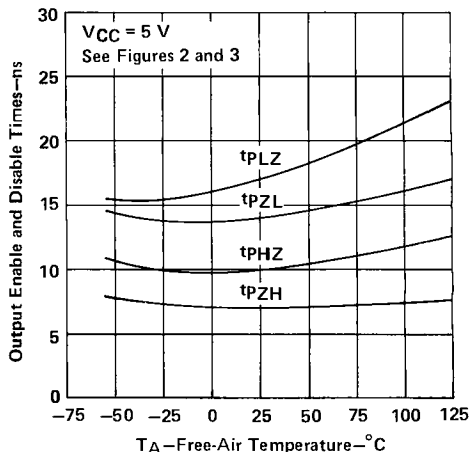
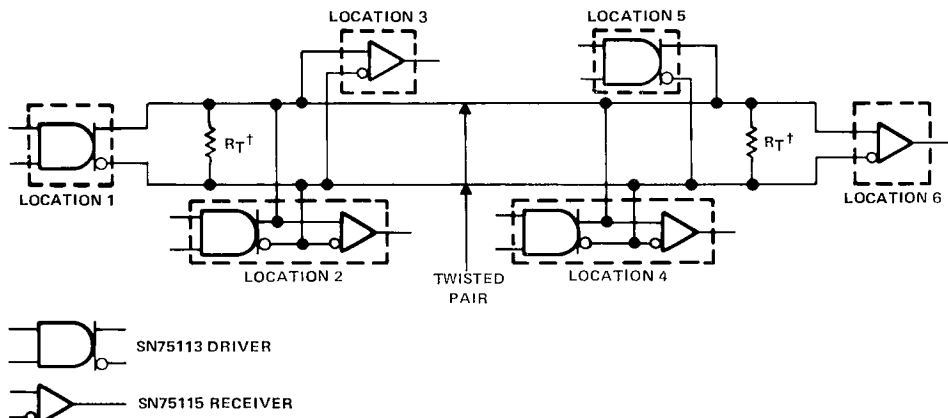


FIGURE 17

†Data for temperatures below 0°C and above 70°C and for supply voltages below 4.75 V and above 5.25 V are applicable to SN55113 circuits only. These parameters were measured with the active pull-up connected to the sink output.

APPLICATION INFORMATION



† $R_T = Z_0$. A capacitor may be connected in series with R_T to reduce power dissipation.

FIGURE 18. BASIC PARTY-LINE OR DATA-BUS DIFFERENTIAL DATA TRANSMISSION



SN55114, SN75114 DUAL DIFFERENTIAL LINE DRIVERS

D1315. SEPTEMBER 1973—REVISED SEPTEMBER 1986

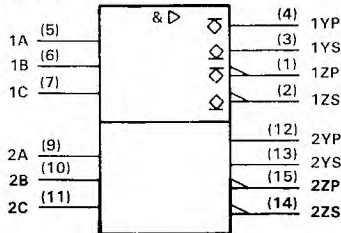
- Choice of Open-Collector, Open-Emitter, or Totem-Pole Outputs
- Single-Ended or Differential AND/NAND Outputs
- Single 5-V Supply
- Dual-Channel Operation
- TTL-Compatible
- Short-Circuit Protection
- High-Current Outputs
- Triple Inputs
- Clamp Diodes at Inputs and Outputs
- Designed for Use with SN55115 and SN75115 Differential Line Receivers
- Designed to Be Interchangeable with Fairchild 9614 Line Driver

description

The SN55114 and SN75114 dual differential line drivers are designed to provide differential output signals with the high-current capability for driving balanced lines, such as twisted pair, at normal line impedances without high power dissipation. The output stages are similar to TTL totem-pole outputs, but with the sink outputs, YS and ZS, and the corresponding active pull-up terminals, YP and ZP, available on adjacent package pins. Since the output stages provide TTL-compatible output levels, these devices may also be used as TTL expanders or phase splitters.

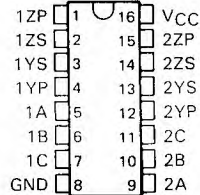
The SN55114 is characterized for operation over the full military temperature range of -55°C to 125°C . The SN75114 is characterized for operation from 0°C to 70°C .

logic symbol†

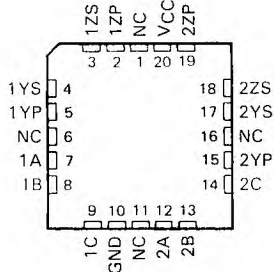


† This symbol is in accordance with ANSI/IEEE Std 91-1984 and IEC Publication 617-12.

SN55114 . . . J PACKAGE
SN75114 . . . D, J, OR N PACKAGE
(TOP VIEW)



SN55114 . . . FK PACKAGE
(TOP VIEW)



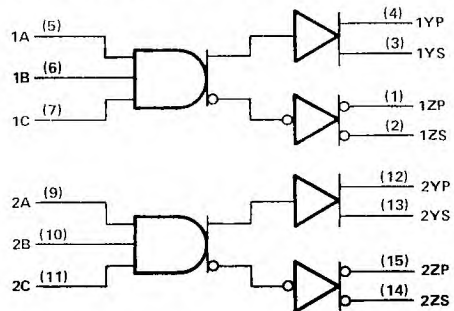
NC—No internal connection

FUNCTION TABLE

INPUTS			OUTPUTS	
A	B	C	Y	Z
H	H	H	H	L
ALL OTHER INPUT COMBINATIONS			L	H

H = high level, L = low level

logic diagram (positive logic)



Pin numbers shown are for D, J, and N packages.

... INFORMATION documents contain information on date. Products conform to specifications and the terms of Texas Instruments standard warranty. Production processing does not necessarily include testing of all parameters.

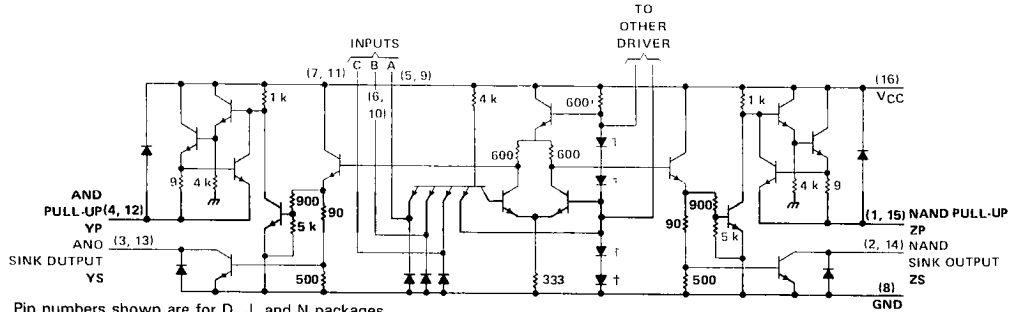
TEXAS
INSTRUMENTS

POST OFFICE BOX 655303 • DALLAS, TEXAS 75265

Copyright © 1986, Texas Instruments Incorporated

SN55114, SN75114 DUAL DIFFERENTIAL LINE DRIVERS

schematic (each driver)



Pin numbers shown are for D, J, and N packages

†These components are common to both drivers.
Resistor values shown are nominal and in ohms.

absolute maximum ratings over operating free-air temperature range (unless otherwise noted)

	SN55114	SN75114	UNIT
Supply voltage, V_{CC} (see Note 1)	7	7	V
Output voltage	5.5	5.5	V
Open-state voltage applied to open-collector outputs	12	12	V
Continuous total power dissipation (see Note 2)	See Dissipation Rating Table		
Operating free-air temperature range	-55 to 125	0 to 70	°C
Storage temperature range	-65 to 150	-65 to 150	°C
Case temperature for 60 seconds: FK package			°C
Lead temperature 1,6 mm (1/16 inch) from case for 60 seconds: J package			°C
Lead temperature 1,6 mm (1/16 inch) from case for 10 seconds: D or N package		260	°C

NOTES: 1. Voltage values are with respect to network ground terminal.

2. In the FK and J packages, SN55114 chips are either silver glass or alloy mounted. In the J package, SN75114 chips are glass mounted.

DISSIPATION RATING TABLE

PACKAGE	$T_A \leq 25^\circ\text{C}$	DERATING FACTOR	$T_A = 70^\circ\text{C}$	$T_A = 125^\circ\text{C}$
	POWER RATING	ABOVE $T_A = 25^\circ\text{C}$	POWER RATING	POWER RATING
D	950 mW	7.6 mW/°C	608 mW	—
FK	1375 mW	11.0 mW/°C	880 mW	275 mW
J (SN55114)	1375 mW	11.0 mW/°C	880 mW	275 mW
J (SN75114)	1025 mW	8.2 mW/°C	656 mW	—
N	1150 mW	9.2 mW/°C	736 mW	—

recommended operating conditions

	SN55114		SN75114		UNIT
	MIN	MAX	MIN	MAX	
Supply voltage, V_{CC1}	5.5	5.5	4.75	5.25	V
High-level input voltage, V_{IH}	2		2		V
Low-level input voltage, V_{IL}		0.8		0.8	V
High-level output current, I_{OH}		-40		-40	mA
Low-level output current, I_{OL}		40		40	mA
Operating free-air temperature, T_A	-55	125	0	70	°C



SN55114, SN75114 DUAL DIFFERENTIAL LINE DRIVERS

electrical characteristics over recommended operating free-air temperature range (unless otherwise noted)

PARAMETER	TEST CONDITIONS [†]	SN55114			SN75114			UNIT
		MIN	TYP [‡]	MAX	MIN	TYP [‡]	MAX	
V _{IK} Input clamp voltage	V _{CC} = ∞, I _I = -12 mA	-0.9		-1.5	-0.9		-1.5	V
V _{OH} High-level output voltage	V _{CC} = ∞, V _{IL} = 0.8 V, I _{OH} = -10 mA	2.4	3.4		2.4	3.4		V
		2	3		2	3		
V _{OL} Low-level output voltage	V _{CC} = MIN, V _{IH} = 2 V, V _{IL} = 0.8 V, I _{OL} = 40 mA	0.2	0.4		0.2	0.45		V
V _{OK} Output clamp voltage	V _{CC} = 5 V, I _O = 40 mA, T _A = 25 °C	6.1	6.5		6.1	6.5		V
I _{O(off)} Off-state open-collector output current	V _{CC} = MAX, V _{OH} = 12 V		1	100				μA
				200				
					1	100		
						200		
I _I Input current at maximum input voltage	V _{CC} = MAX, V _I = 5.5 V			1			1	mA
I _{IH} High-level input current	V _{CC} = MAX, V _I = 2.4 V			40			40	μA
I _{IL} Low-level input current	V _{CC} = MAX, V _I = 0.4 V	-1.1	-1.6		-1.1	-1.6		mA
I _{OS} Short-circuit output current [§]	V _{CC} = MAX, V _O = 0, T _A = 25 °C	-40	-90	-120	-40	-90	-120	mA
I _{CC} Supply current (both drivers)	All inputs at 0 V, No load, T _A = 25 °C		37	50		37	50	mA
			47	65		47	70	

[†]All parameters with the exception of off-state open-collector output current are measured with the active pullup connected to the sink output. For conditions shown as MIN or MAX, use the appropriate value specified under recommended operating conditions.

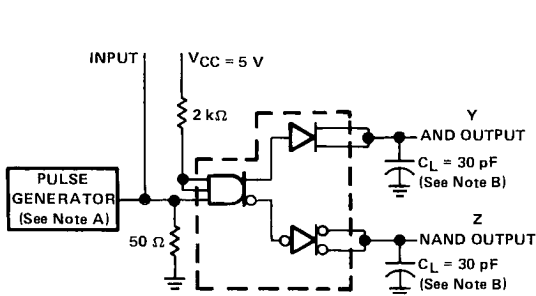
[‡]All typical values are at T_A = 25 °C and V_{CC} = 5 V, with the exception of I_{CC} at 7 V.

[§]Only one output should be shorted at a time, and duration of the short circuit should not exceed one second.

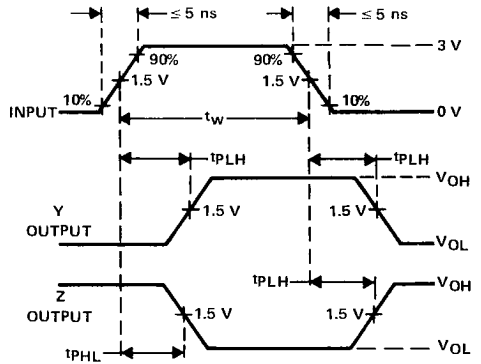
switching characteristics, V_{CC} = 5 V, T_A = 25 °C

PARAMETER	TEST CONDITIONS	SN55114			SN75114			UNIT
		MIN	TYP	MAX	MIN	TYP	MAX	
t _{PLH} Propagation delay time, low-to-high-level output	C _L = 30 pF		15	20		15	30	ns
t _{PHL} Propagation delay time, high-to-low-level output	See Figure 1		11	20		11	30	ns

PARAMETER MEASUREMENT INFORMATION



TEST CIRCUIT



VOLTAGE WAVEFORMS

NOTES: A. The pulse generator has the following characteristics: $Z_o = 500 \Omega$, $PRR \leq 500 \text{ kHz}$, $t_w \leq 100 \text{ ns}$.
B. C_L includes probe and jig capacitance.

FIGURE 1. PROPAGATION DELAY TIMES

TYPICAL CHARACTERISTICS†

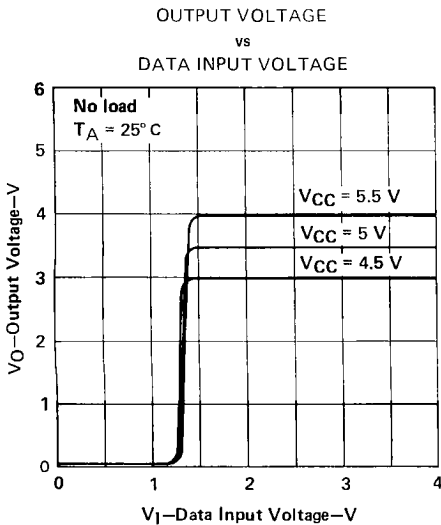


FIGURE 2

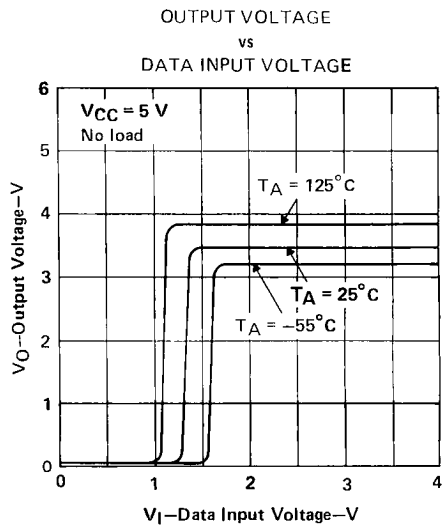


FIGURE 3

† Data for temperatures below 0°C and above 70°C and for supply voltages below 4.75 V and above 5.25 V are applicable to SN55114 circuits only. These parameters were measured with the active pullup connected to the sink output.

TYPICAL CHARACTERISTICS†

HIGH-LEVEL OUTPUT VOLTAGE
 vs
 OUTPUT CURRENT

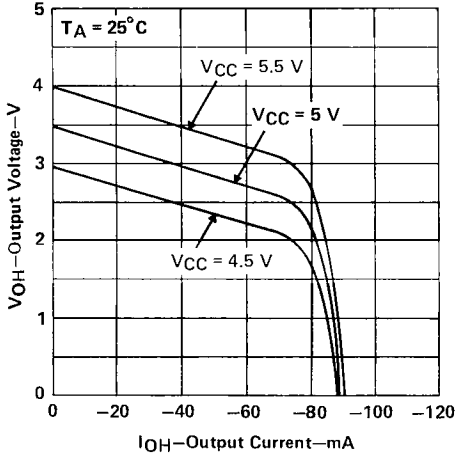


FIGURE 4

LOW-LEVEL OUTPUT VOLTAGE
 vs
 OUTPUT CURRENT

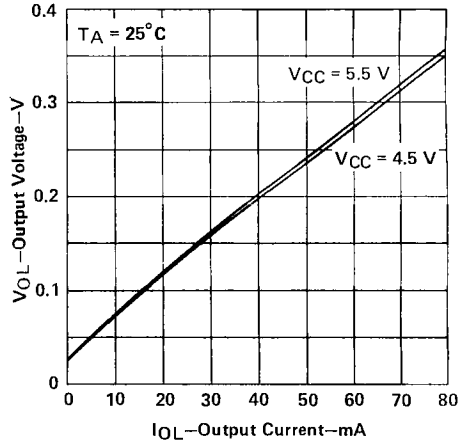


FIGURE 5

OUTPUT VOLTAGE
 vs
 FREE-AIR TEMPERATURE

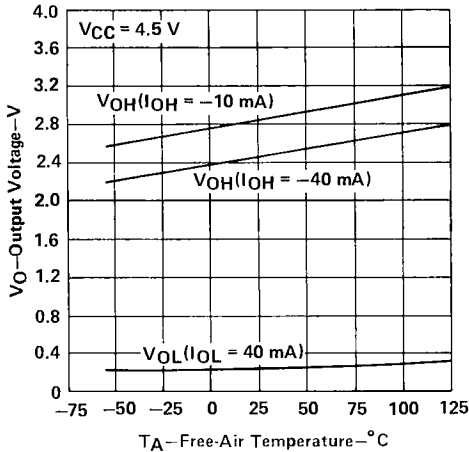


FIGURE 6

PROPAGATION DELAY TIMES
 vs
 FREE-AIR TEMPERATURE

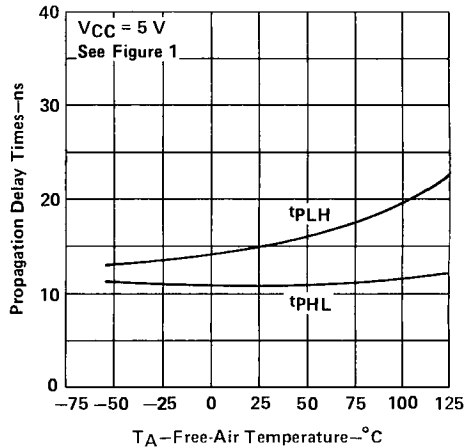


FIGURE 7

† Data for temperatures below 0°C and above 70°C are applicable to SN55114 circuits only. These parameters were measured with the active pullup connected to the sink output.

SN55114, SN75114
DUAL DIFFERENTIAL LINE DRIVERS

TYPICAL CHARACTERISTICS†

SUPPLY CURRENT
 (BOTH DRIVERS)
 vs
 SUPPLY VOLTAGE

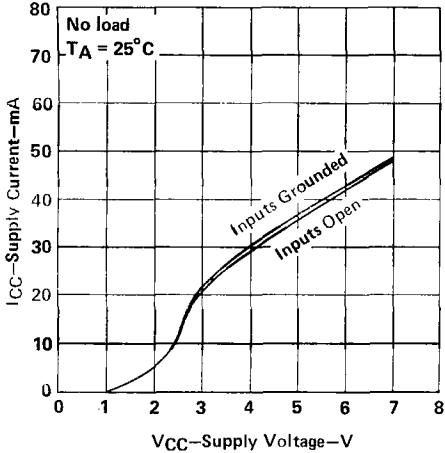


FIGURE 8

SUPPLY CURRENT
 (BOTH DRIVERS)
 vs
 FREE-AIR TEMPERATURE

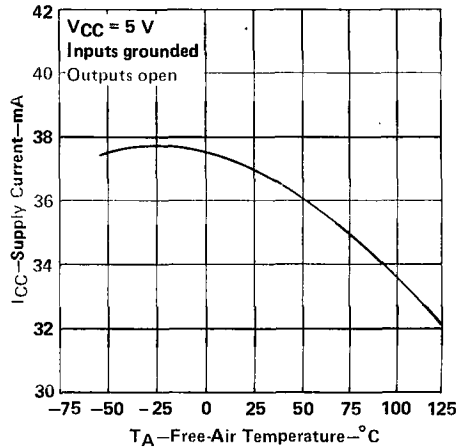


FIGURE 9

SUPPLY CURRENT
 (BOTH DRIVERS)
 vs
 FREQUENCY

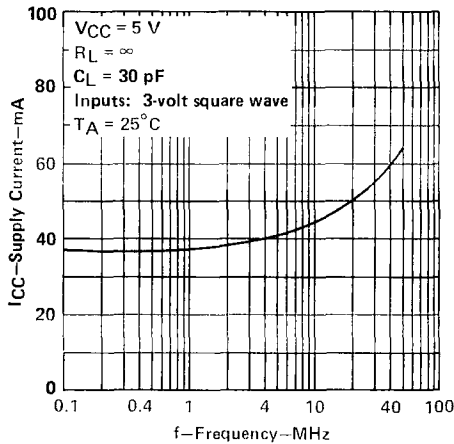
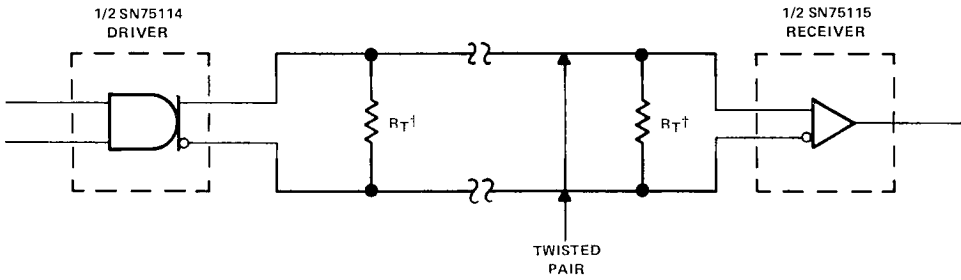


FIGURE 10

† Data for temperatures below 0°C and above 70°C are applicable to SN55114 circuits only. These parameters were measured with the active pullup connected to the sink output.

APPLICATION INFORMATION†



† $R_T = Z_0$. A capacitor may be connected in series with R_T to reduce power dissipation.

FIGURE 11. BASIC PARTY-LINE OR DATA-BUS DIFFERENTIAL DATA TRANSMISSION



SN55115, SN75115 DUAL DIFFERENTIAL LINE RECEIVERS

D1315, SEPTEMBER 1973—REVISED OCTOBER 1986

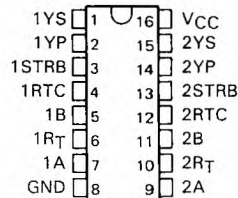
- Choice of Open-Collector or Active Pull-Up (Totem-Pole) Outputs
- Single 5-V Supply
- Differential Line Operation
- Dual-Channel Operation
- TTL Compatible
- ± 15 V Common-Mode Input Voltage Range
- Optional-Use Built-In 130- Ω Line-Terminating Resistor
- Individual Frequency Response Controls
- Individual Channel Strobes
- Designed for Use With SN55113, SN75113, SN55114, and SN75114 Drivers
- Designed to Be Interchangeable With Fairchild 9615 Line Receivers

description

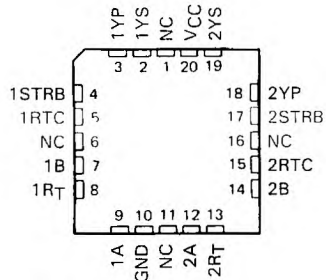
The SN55115 and SN75115 dual differential line receivers are designed to sense small differential signals in the presence of large common-mode noise. These devices give TTL-compatible output signals as a function of the differential input voltage. The open-collector output configuration permits the wire-ANDing of similar TTL outputs (such as SN5401/SN7401) or other SN55115/SN75115 line receivers. This permits a level of logic to be implemented without extra delay. The output stages are similar to TTL totem-pole outputs, but with sink outputs, 1YS and 2YS, and the corresponding active pull-up terminals, 1YP and 2YP, available on adjacent package pins. The frequency response and noise immunity may be provided by a single external capacitor. A strobe input is provided for each channel. With the strobe in the low level, the receiver is disabled and the outputs are forced to a high level.

The SN55115 is characterized for operation over the full military range of -55°C to 125°C . The SN75115 is characterized for operation from 0°C to 70°C .

SN55115 . . . J PACKAGE
SN75115 . . . D, J, OR N PACKAGE
(TOP VIEW)



SN55115 . . . FK PACKAGE
(TOP VIEW)



NC—No internal connection

FUNCTION TABLE

STROBE	DIFF INPUT	OUTPUT (YP AND YS TIED TOGETHER)
L	X	H
H	L	H
H	H	L

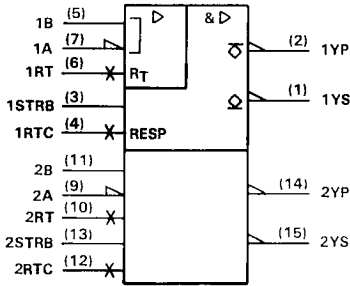
H = $V_I \geq V_{IH}$ min or V_{ID} more positive than V_{TH} max

L = $V_I \leq V_{IL}$ max or V_{ID} more negative than V_{TL} max

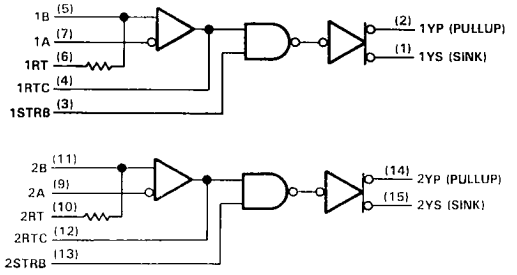
X = irrelevant

SN55115, SN75115 DUAL DIFFERENTIAL LINE RECEIVERS

logic symbol†

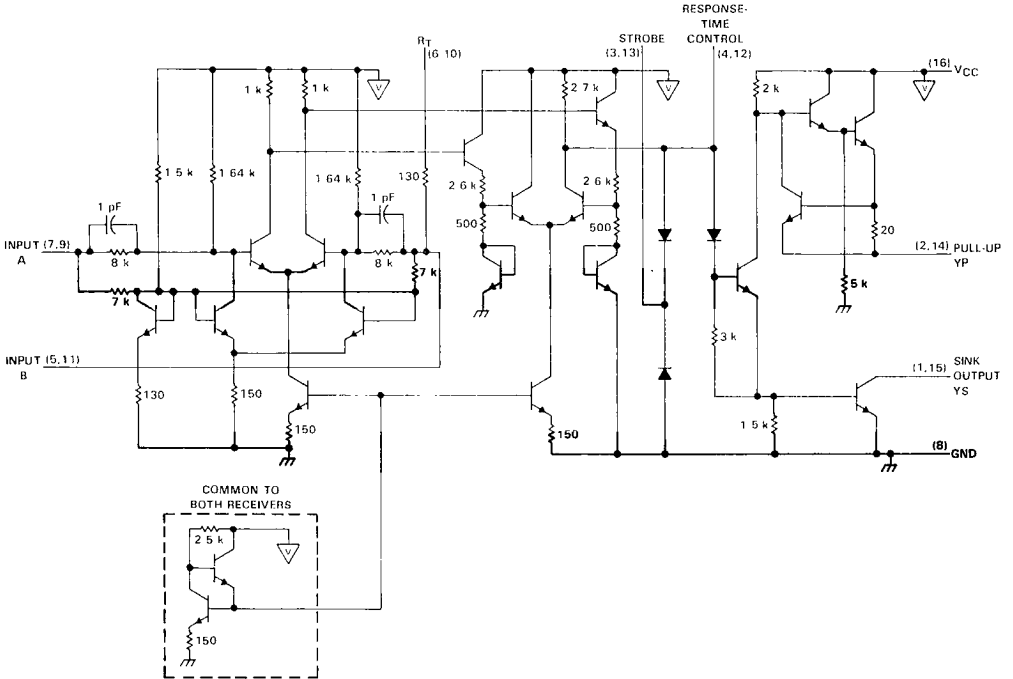


logic diagram (positive logic)



† This symbol is in accordance with ANSI/IEEE Std 91-1984 and IEC Publication 617-12.

schematic (each receiver)



Pin numbers shown are for D, J, and N packages.
Resistor values are nominal and in ohms.

SN55115, SN75115 DUAL DIFFERENTIAL LINE RECEIVERS

absolute maximum ratings over operating free-air temperature range (unless otherwise noted)

	SN55115	SN75115	UNIT
Supply voltage, V_{CC} (see Note 1)	7	7	V
Input voltage at A, B, and R_T inputs	± 25	± 25	V
Input voltage at strobe input	5.5	5.5	V
Off-state voltage applied to open-collector outputs	14	14	V
Continuous total power dissipation (see Note 2)	See Dissipation Rating Table		
Operating free-air temperature range	-55 to 125	0 to 70	$^{\circ}\text{C}$
Storage temperature range	-65 to 150	-65 to 150	$^{\circ}\text{C}$
Case temperature for 60 seconds: FK package	260		$^{\circ}\text{C}$
Lead temperature 1,6 mm (1/16 inch) from case for 60 seconds: J package	300		$^{\circ}\text{C}$
Lead temperature 1,6 mm (1/16 inch) from case for 10 seconds: D or N package		260	$^{\circ}\text{C}$

- NOTES: 1. All voltage values, except differential input voltage, are with respect to network ground terminal.
 2. In the FK and J packages, SN55115 chips are either silver glass or alloy mounted and SN75115 chips are glass mounted.

DISSIPATION RATING TABLE

PACKAGE	$T_A \leq 25^{\circ}\text{C}$	DERATING FACTOR	$T_A = 70^{\circ}\text{C}$	$T_A = 125^{\circ}\text{C}$
	POWER RATING	ABOVE $T_A = 25^{\circ}\text{C}$	POWER RATING	POWER RATING
D	950 mW	7.6 mW/ $^{\circ}\text{C}$	608 mW	
FK	1375 mW	11.0 mW/ $^{\circ}\text{C}$	880 mW	275 mW
J (SN55115)	1375 mW	11.0 mW/ $^{\circ}\text{C}$	880 mW	275 mW
J (SN75115)	1025 mW	8.2 mW/ $^{\circ}\text{C}$	656 mW	—
N	1150 mW	9.2 mW/ $^{\circ}\text{C}$	736 mW	—

recommended operating conditions

	SN55115		SN75115			UNIT
	MIN	MAX	MIN	NOM	MAX	
Supply voltage, V_{CC}	4.5	5.5	4.75	5	5.25	V
High-level (strobe) input voltage, V_{IH}	2.4		2.4			V
Low-level (strobe) input voltage, V_{IL}		0.4			0.4	V
High-level output current, I_{OH}		-5			-5	mA
Low-level output current, I_{OL}		15			15	mA
Operating free-air temperature, T_A	-55	125	0		70	$^{\circ}\text{C}$

SN55115, SN75115 DUAL DIFFERENTIAL LINE RECEIVERS

electrical characteristics over recommended operating free-air temperature range (unless otherwise noted)

PARAMETER	TEST CONDITIONS [†]	SN55115			SN75115			UNIT
		MIN	TYP [‡]	MAX	MIN	TYP [‡]	MAX	
V _{TH} [§] Differential input high-threshold voltage	V _O = 0.4 V, I _{OL} = 15 mA, V _{IC} = 0			500			500	mV
V _{TL} [§] Differential input low-threshold voltage	V _O = 2.4 V, I _{OH} = -5 mA, V _{IC} = 0			-500 [¶]			-500 [¶]	mV
V _{ICR} Common-mode input voltage range	V _{ID} = ±1 V	+15 to -15	+24 to -19		+15 to -15	+24 to -19		V
V _{OH} High-level output voltage	V _{CC} = MIN, V _{ID} = -0.5 V, I _{OH} = -5 mA	T _A = MIN T _A = 25°C T _A = MAX	2.2 2.4 2.4	3.4	2.4 2.4 2.4	3.4		V
V _{OL} Low-level output voltage	V _{CC} = MIN, V _{ID} = 0.5 V, I _{OL} = 15 mA		0.22	0.4	0.22	0.45		V
I _{IL} Low-level input current	V _{CC} = MAX, V _I = 0.4 V, Other input at 5.5 V	T _A = MIN T _A = 25°C T _A = MAX		-0.9 -0.5 -0.7		-0.9 -0.5 -0.7		mA
I _{SH} High-level strobe current	V _{CC} = MIN, V _{ID} = -0.5 V, V _{strobe} = 4.5 V	T _A = 25°C		2 5		5 10		μA
I _{SL} Low-level strobe current	V _{CC} = MAX, V _{ID} = 0.5 V, V _{strobe} = 0.4 V	T _A = 25°C		-1.15 -2.4		-1.15 -2.4		mA
I _{I(RTC)} Response-time-control current	V _{CC} = MAX, V _{ID} = 0.5 V, V _{RC} = 0	T _A = 25°C		-1.2 -3.4		-1.2 -3.4		mA
I _{O(off)} Off-state open-collector output current	V _{CC} = MIN, V _{OH} = 12 V, V _{ID} = -4.5 V V _{CC} = MIN, V _{OH} = 5.25 V, V _{ID} = -4.75 V	T _A = 25°C T _A = MAX T _A = 25°C T _A = MAX		100 200		100 200		μA
R _T Line-terminating resistance	V _{CC} = 5 V	T _A = 25°C	77	130 167	74	130 179		Ω
I _{OS} Short-circuit output current	V _{CC} = MAX, V _O = 0, V _{ID} = -0.5 V	T _A = 25°C		-15 -40 -80		-14 -40 -100		mA
I _{CC} Supply current (both receivers)	V _{CC} = MAX, V _{ID} = 0.5 V, V _{IC} = 0	T _A = 25°C		32 50		32 50		mA

[†] Unless otherwise noted V_{strobe} = 2.4 V. All parameters with the exception of off-state open-collector output current are measured with the active pull-up connected to the sink output.

[‡] All typical values are at V_{CC} = 5 V, T_A = 25°C, and V_{IC} = 0.

[§] Differential voltages are at the B input terminal with respect to the A input terminal.

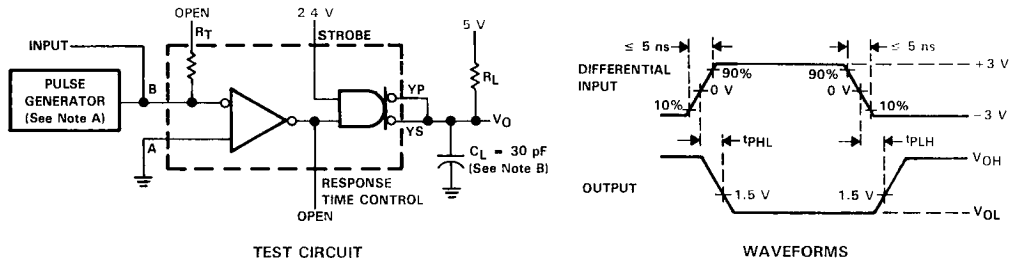
[¶] The algebraic convention, in which the less positive (more negative) limit is designated as minimum, is used in this data sheet for threshold voltages only.

^{||} Only one output should be shorted to ground at a time, and duration of the short-circuit should not exceed one second.

switching characteristics, V_{CC} = 5 V, C_L = 30 pF, T_A = 25°C

PARAMETER	TEST CONDITIONS	SN55115			SN75115			UNIT
		MIN	TYP	MAX	MIN	TYP	MAX	
t _{PLH} Propagation delay time, low-to-high-level output	R _L = 3.9 kΩ, See Figure 1		18	50	18	75		ns
t _{PHL} Propagation delay time, high-to-low-level output	R _L = 390 Ω, See Figure 1		20	50	20	75		ns

PARAMETER MEASUREMENT INFORMATION



NOTES: A. The pulse generator has the following characteristics: $Z_0 = 50 \Omega$, $PRR \leq 500 \text{ kHz}$, $t_w \leq 100 \text{ ns}$, duty cycle = 50%.
 B. C_L includes probe and jig capacitance.

FIGURE 1. PROPAGATION DELAY TIMES

TYPICAL CHARACTERISTICS

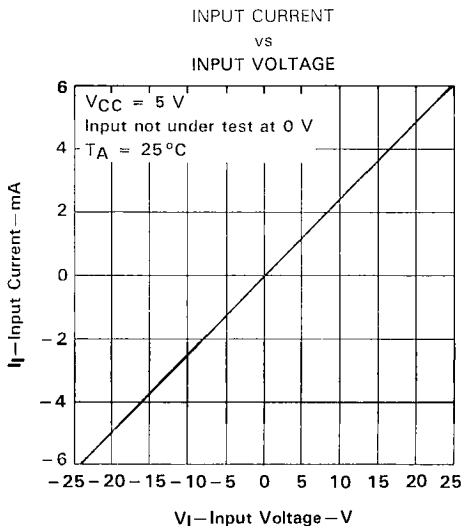


FIGURE 2

SN55115, SN75115
DUAL DIFFERENTIAL LINE RECEIVERS

TYPICAL CHARACTERISTICS†

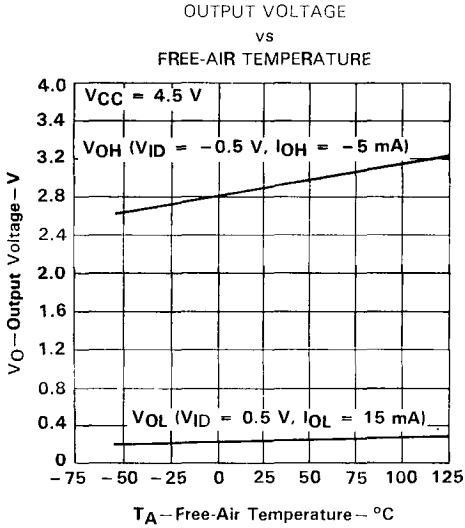


FIGURE 3

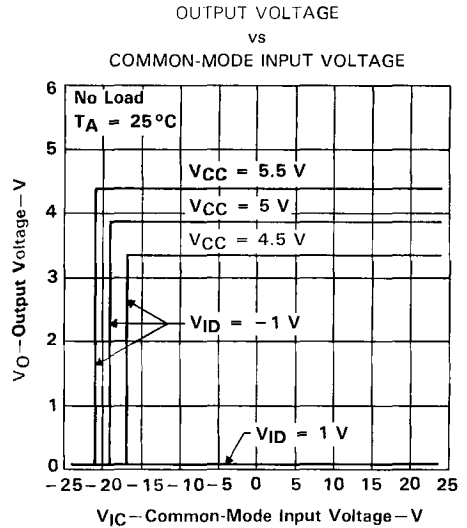


FIGURE 4

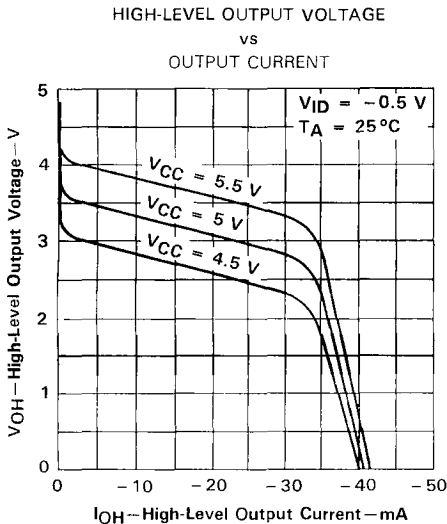


FIGURE 5

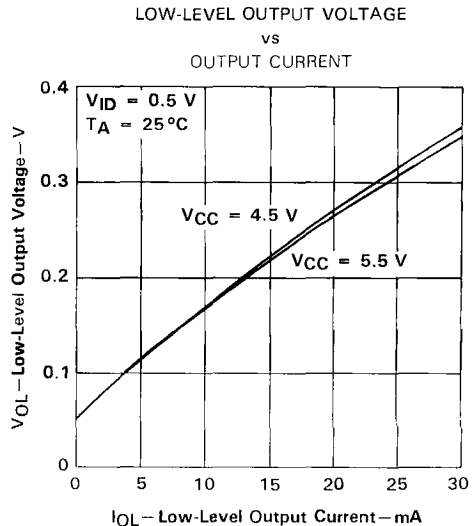


FIGURE 6

† Data for temperatures below 0°C and above 70°C and for supply voltages below 4.75 V and above 5.25 V are applicable to SN55115 circuits only. These parameters were measured with the active pull-up connected to the sink output.

TYPICAL CHARACTERISTICS†

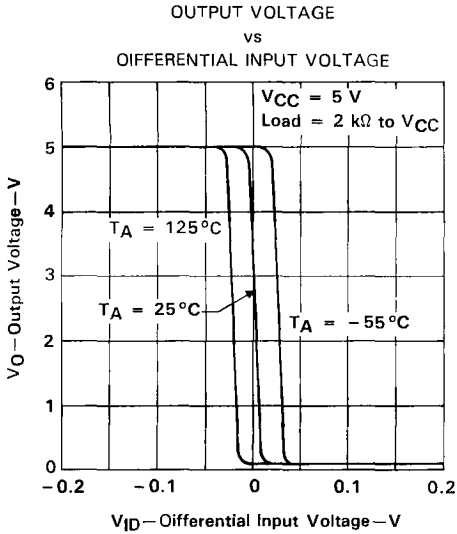


FIGURE 7

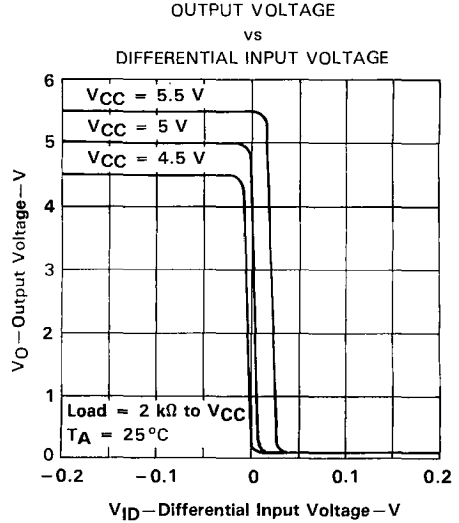


FIGURE 8

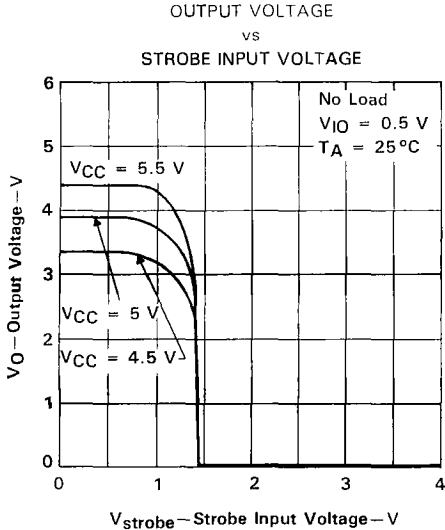


FIGURE 9

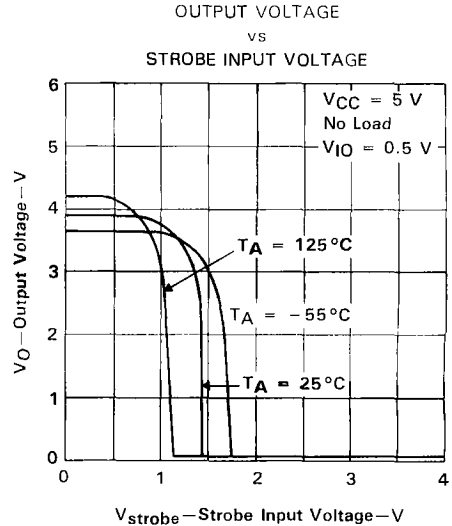
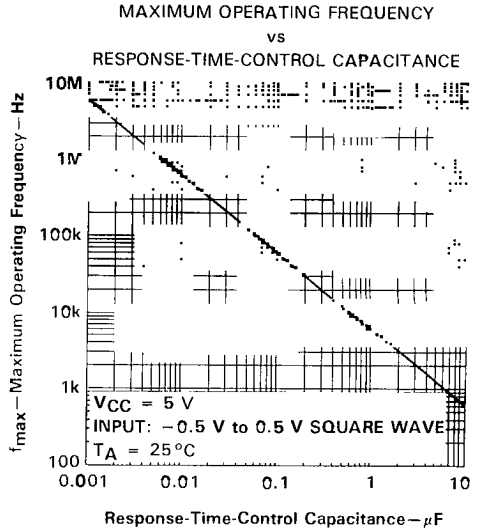
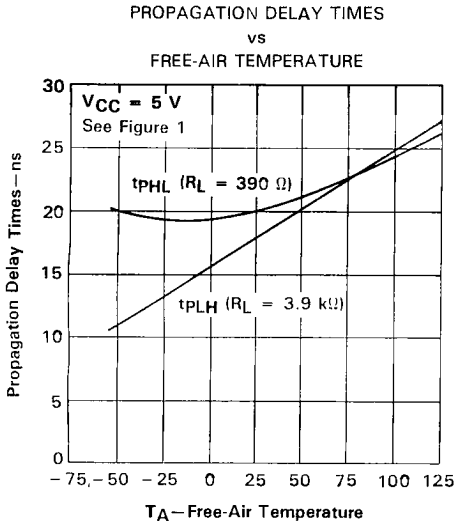
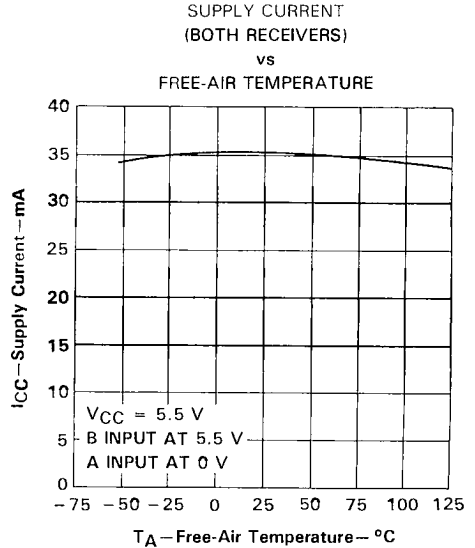
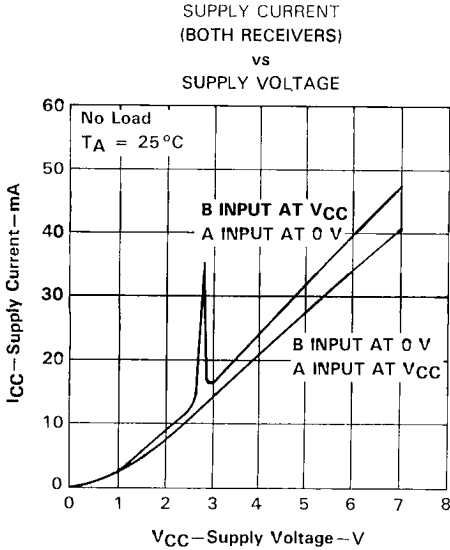


FIGURE 10

† Data for temperatures below 0°C and above 70°C and for supply voltages below 4.75 V and above 5.25 V are applicable to SN55115 circuits only. These parameters were measured with the active pull up connected to the sink output.

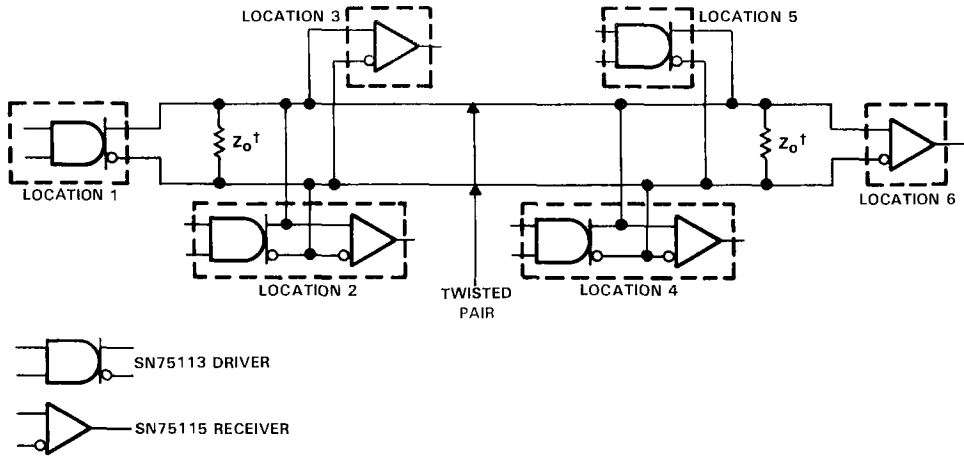
**SN55115, SN75115
DUAL DIFFERENTIAL LINE RECEIVERS**

TYPICAL CHARACTERISTICS†



† Data for temperatures below 0°C and above 70°C and for supply voltages below 4.75 V and above 5.25 V are applicable to SN55115 circuits only. These parameters were measured with the active pull-up connected to the sink output.

APPLICATION INFORMATION



[†]A capacitor may be connected in series with Z_o to reduce power dissipation.

FIGURE 15. BASIC PARTY-LINE OR DATA-BUS DIFFERENTIAL DATA TRANSMISSION



SN55116, SN75116 THRU SN75119 DIFFERENTIAL LINE TRANSCEIVERS

D2143, MAY 1976—REVISED MAY 1990

Features common to all types

- Single 5-V Supply
- 3-State Driver Output Circuitry
- TTL-Compatible Driver Inputs
- TTL-Compatible Receiver Output
- Differential Line Operation
- Receiver Output Strobe ('116, SN75117) or Enable (SN75118, SN75119)
- Designed for Party-Line (Data-Bus) Applications
- Choice of Ceramic or Plastic Packages

Additional features of the SN55116/SN75116

- Independent Driver and Receiver
- Choice of Open-Collector or Totem-Pole Outputs on Both Driver and Receiver
- Dual Data Inputs on Driver
- Optional Line-Termination Resistor in Receiver
- $\pm 15\text{-V}$ Receiver Common-Mode Capability
- Receiver Frequency Response Control

Additional features of the SN75117

- Driver Output Internally Connected to Receiver Input

The SN75118 is an SN75116 with 3-State Receiver Output Circuitry
The SN75119 is an SN75117 with 3-State Receiver Output Circuitry

description

These integrated circuits are designed for use in interfacing between TTL-type digital systems and differential data transmission lines. They are especially useful for party-line (data-bus) applications. Each of these circuit types combine in one package a 3-state differential line driver and a differential-input line receiver, both of which operate from a single 5-V power supply. The driver inputs and receiver outputs are TTL compatible. The driver employed is similar to the SN55113/SN75113 3-state line driver, and the receiver is similar to the SN55115/SN75115 line receiver.

The '116 and SN75118 circuits offer all the features of the SN55113/SN75113 driver and the SN55115/SN75115 receiver combined. The driver performs the dual input AND and NAND functions when enabled, or presents a high impedance to the load when in the disabled state. The driver output stages are similar to TTL totem-pole outputs, but have the current-sink portion separated from the current-sourcing portion and both are brought out to adjacent package pins. This feature allows the user the option of using the driver in the open-collector output configuration, or, by connecting the adjacent source and sink pins together, of using the driver in the normal totem-pole output configuration.

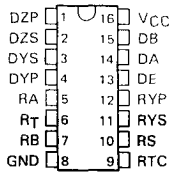
The receiver portion of the '116 and SN75118 features a differential-input circuit having a common-mode voltage range of $\pm 15\text{ V}$. An internal $130\text{-}\Omega$ resistor is also provided, which may optionally be used for terminating the transmission line. A frequency response control pin allows the user to reduce the speed of the receiver or to improve differential noise immunity. The receiver of the '116 also has an output strobe and a split totem-pole output. The receiver of the SN75118 has an output-enable for the 3-state split totem-pole output. The receiver section of either circuit is independent of the driver section except for the V_{CC} and ground pins.

The SN75117 and SN75119 circuits provide the basic driver and receiver functions of the '116 and SN75118, but use a package that is only half as large. The SN75117 and SN75119 are intended primarily for party-line or bus-organized systems as the driver outputs are internally connected to the receiver inputs. The driver has a single data input and a single enable input, and the SN75117 receiver has an output strobe while the SN75119 receiver has a 3-state-output enable. These devices do not, however, provide output connection options, line termination resistors, or receiver frequency-response controls.

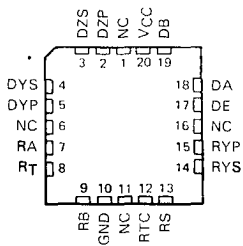
The SN55116 is characterized for operation over the full military temperature range of -55°C to 125°C ; the SN75116, SN75117, SN75118, and SN75119 are characterized for operation from 0°C to 70°C .

SN55116, SN75116 THRU SN75119 DIFFERENTIAL LINE TRANSCEIVERS

SN55116 . . . J PACKAGE
SN75116 . . . D, J, OR N PACKAGE
(TOP VIEW)

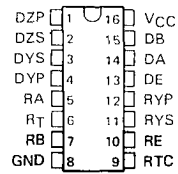


SN55116
FK PACKAGE
(TOP VIEW)

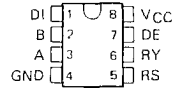


NC—No internal connection

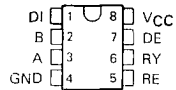
SN75118 . . . D, J, OR N PACKAGE
(TOP VIEW)



SN75117 . . . D, JG, OR P PACKAGE
(TOP VIEW)



SN75119 . . . D, JG, OR P PACKAGE
(TOP VIEW)



SN55116, SN75116 THRU SN75119 DIFFERENTIAL LINE TRANSCEIVERS

'116, SN75118
FUNCTION TABLE
OF DRIVER

INPUTS			OUTPUTS	
DE	DA	DB	DY	DZ
L	X	X	Z	Z
H	L	X	L	H
H	X	L	L	H
H	H	H	H	L

SN75117, SN75119
FUNCTION TABLE
OF DRIVER

INPUTS		OUTPUTS	
DI	DE	A	B
H	H	H	L
L	H	L	H
X	L	Z	Z

'116, SN75118
FUNCTION TABLE OF RECEIVER

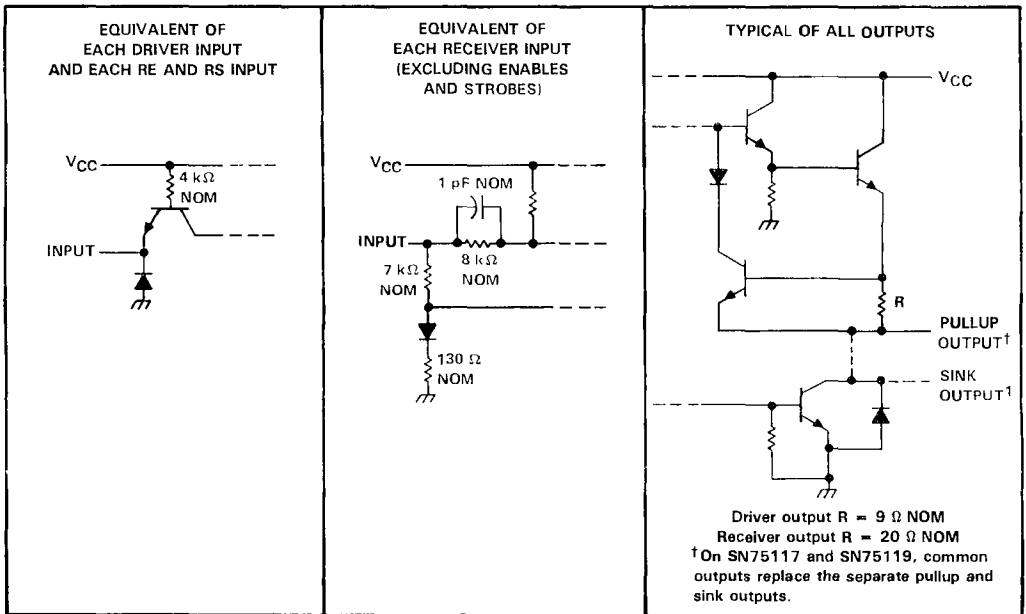
RS/RE	DIFF INPUT	OUTPUT RY	
		'116	SN75118
L	X	H	Z
H	L	H	H
H	H	L	L

SN75117, SN75119
FUNCTION TABLE OF RECEIVER

INPUTS			OUTPUT RY	
A	B	RS/RE	SN75117	SN75119
H	L	H	H	H
L	H	H	L	L
X	X	L	H	Z

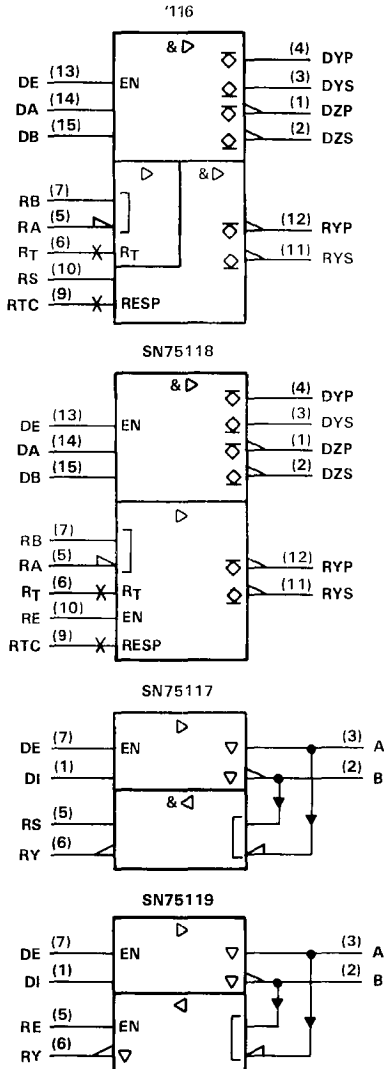
H = high level ($V_I \geq V_{IH}$ min or V_{ID} more positive than V_{TH} max)
 L = low level ($V_I \leq V_{IL}$ max or V_{ID} more negative than V_{TL} max)
 X = irrelevant
 Z = high impedance (off)

schematics of inputs and outputs

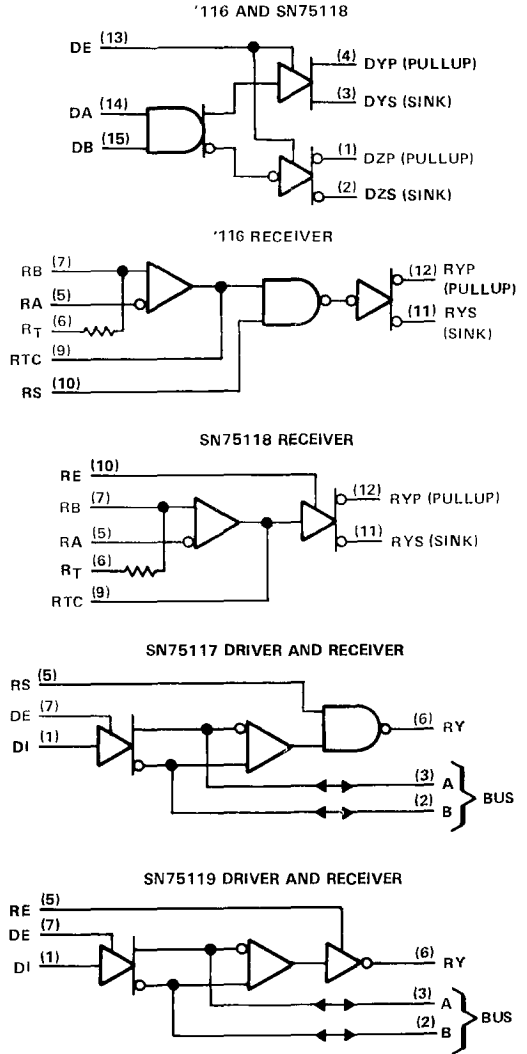


SN55116, SN75116 THRU SN75119 DIFFERENTIAL LINE TRANSCEIVERS

logic symbols †



logic diagrams (positive logic)



†These symbols are in accordance with ANSI/IEEE Std 91-1984 and IEC Publication 617-12.

Pin numbers shown for '116 and SN75118 are for J and N packages; those shown for SN75117 and SN75119 are for JG and P packages.

SN55116, SN75116 THRU SN75119 DIFFERENTIAL LINE TRANSCEIVERS

absolute maximum ratings over operating free-air temperature range (unless otherwise noted)

		'116, SN75118	SN75117, SN75119	UNIT
Supply voltage, V_{CC} (see Note 1)		7	7	V
Input voltage, V_I	DA, DB, DE, DI, RE, RS	5.5	5.5	V
	RA, RB, RT	± 25		
	A and B		0 to 6	
Off-state voltage applied to open-collector outputs		12		V

		SN55116	SN75116 THRU SN75119	UNIT
Continuous total power dissipation (see Note 2)		See Dissipation Rating Table		
Operating free-air temperature range		-55 to 125	0 to 70	$^{\circ}\text{C}$
Storage temperature range		-65 to 150	-65 to 150	$^{\circ}\text{C}$
Case temperature for 60 seconds: FK package		260		$^{\circ}\text{C}$
Lead temperature 1,6 mm (1/16 inch) from case for 60 seconds: J and JG packages		300	300	$^{\circ}\text{C}$
Lead temperature 1,6 mm (1/16 inch) from case for 10 seconds: D, N, or P package			260	$^{\circ}\text{C}$

- NOTES: 1. All voltage values are with respect to network ground terminal.
2. In the FK and J packages, SN55116 chip is alloy mounted and SN75116 through SN75119 chips are glass mounted.

DISSIPATION RATING TABLE

PACKAGE	$T_A \leq 25^{\circ}\text{C}$ POWER RATING	DERATING FACTOR ABOVE $T_A = 25^{\circ}\text{C}$	$T_A = 70^{\circ}\text{C}$ POWER RATING	$T_A = 125^{\circ}\text{C}$ POWER RATING
D (8 pin)	725 mW	5.8 mW/ $^{\circ}\text{C}$	464 mW	—
D (16 pin)	950 mW	7.6 mW/ $^{\circ}\text{C}$	608 mW	—
FK	1375 mW	11.0 mW/ $^{\circ}\text{C}$	880 mW	275 mW
J (SN55116)	1375 mW	11.0 mW/ $^{\circ}\text{C}$	880 mW	275 mW
J (all others)	1025 mW	8.2 mW/ $^{\circ}\text{C}$	656 mW	—
JG	825 mW	6.6 mW/ $^{\circ}\text{C}$	528 mW	—
N	1150 mW	9.2 mW/ $^{\circ}\text{C}$	736 mW	—
P	1000 mW	8.0 mW/ $^{\circ}\text{C}$	640 mW	—

recommended operating conditions

PARAMETER		SN55116			SN75116			UNIT
		MIN	TYP	MAX	MIN	TYP	MAX	
Supply voltage, V_{CC}		4.5	5	5.5	4.75	5	5.25	V
High-level input voltage, V_{IH}	All inputs except differential inputs	2			2			V
Low-level input voltage, V_{IL}		0.8			0.8			V
High-level output current, I_{OH}	Drivers	-40			-40			mA
	Receivers	-5			-5			
Low-level output current, I_{OL}	Drivers	40			40			mA
	Receivers	15			15			
Receiver input voltage, V_I	'116, '118	± 15			± 15			V
	'117, '119	0	6	0	0	6	0	
Common mode receiver input voltage, V_{ICR}	'116, '118	± 15			± 15			V
	'117, '119	0	6	0	0	6	0	
Operating free-air temperature, T_A		-55			125			$^{\circ}\text{C}$

SN55116, SN75116 THRU SN75119 DIFFERENTIAL LINE TRANSCEIVERS

electrical characteristics over recommended operating free-air temperature range (unless otherwise noted)

driver section

PARAMETER	TEST CONDITIONS ¹		SN75116, SN75118		SN75117, SN75119		UNIT		
			MIN	TYP ² MAX	MIN	TYP ² MAX			
V_{IK} Input clamp voltage	$V_{CC} = \text{MIN}$, $I_I = -12 \text{ mA}$		-0.9	-1.5	-0.9	-1.5	V		
V_{OH} High-level output voltage	$V_{CC} = \text{MIN}$, $V_{IL} = 0.8 \text{ V}$, $V_{IH} = 2 \text{ V}$	$T_A = 25^\circ\text{C}$ (SN55116)	$I_{OH} = -10 \text{ mA}$		2.4	3.4	2.4	3.4	V
		$T_A = 0^\circ\text{C}$ to 70°C (SN75 ¹)	$I_{OH} = -40 \text{ mA}$		2	3	2	3	
		$T_A = -55^\circ\text{C}$ to 125°C (SN55116)	$I_{OH} = -10 \text{ mA}$		2		2		
V_{OL} Low-level output voltage	$V_{CC} = \text{MIN}$, $V_{IH} = 2 \text{ V}$, $V_{IL} = 0.8 \text{ V}$, $I_{DL} = 40 \text{ mA}$				0.4		0.4	V	
V_{OK} Output clamp voltage	$V_{CC} = \text{MAX}$, $I_O = -40 \text{ mA}$, DE at 0.6 V				-1.5		-1.5	V	
$I_{O(\text{off})}$ Off-state open-collector output current	$V_{CC} = \text{MAX}$, $V_O = 12 \text{ V}$	$T_A = 25^\circ\text{C}$			1	10		μA	
		$T_A = \text{MAX}$				200			
I_{OZ} Off-state (high-impedance-state) output current	$V_{CC} = \text{MAX}$, $V_O = 0$ to V_{CC} , DE at 0.8 V, $T_A = 25^\circ\text{C}$				± 10		μA		
	$V_{CC} = \text{MAX}$, $V_O = 0$	SN55116			-300				
	DE at 0.8 V, $V_O = 0.4 \text{ V}$ to V_{CC} , $T_A = \text{MAX}$	SN55116			± 150				
I_I Input current at maximum input voltage	Driver or enable input	$V_{CC} = \text{MAX}$, $V_I = 5.5 \text{ V}$				1	1	mA	
		$V_{CC} = \text{MAX}$, $V_I = 2.4 \text{ V}$				40	40	μA	
		$V_{CC} = \text{MAX}$, $V_I = 0.4 \text{ V}$				-1.6	-1.6	mA	
I_{OS} Short-circuit output current ³	$V_{CC} = \text{MAX}$, $V_O = 0$, $T_A = 25^\circ\text{C}$		-40	-120	-40	-120	mA		
I_{CC} Supply current (driver and receiver combined)	$V_{CC} = \text{MAX}$, $T_A = 25^\circ\text{C}$		42	60	42	60	mA		

¹All parameters with the exception of off-state open-collector output current are measured with the active pull-up connected to the sink output. For conditions shown as MIN or MAX, use the appropriate value specified under recommended operating conditions.

²All typical values are at $V_{CC} = 5 \text{ V}$ and $T_A = 25^\circ\text{C}$.

³Not more than one output should be shorted at a time, and duration of the short circuit should not exceed one second.

switching characteristics, $V_{CC} = 5 \text{ V}$, $C_L = 30 \text{ pF}$, $T_A = 25^\circ\text{C}$

driver section

PARAMETER	TEST CONDIDNS	MIN	TYP	MAX	UNIT
t_{PLH} Propagation delay time, low-to-high-level output	See Figure 13		14	30	ns
t_{PHL} Propagation delay time, high-to-low-level output			12	30	
t_{PZH} Output enable time to high level	$R_L = 180 \Omega$, See Figure 14		8	20	ns
t_{PZL} Output enable time to low level	$R_L = 180 \Omega$, See Figure 14		17	40	ns
t_{PHZ} Output disable time from high level	$R_L = 180 \Omega$, See Figure 14		16	30	ns
t_{PLZ} Output disable time from low level	$R_L = 250 \Omega$, See Figure 15		20	35	ns

electrical characteristics over recommended operating free-air temperature range (unless otherwise noted)
receiver section

PARAMETER	TEST CONDITIONS [†]		'116, SN75118		SN75117, SN75119		UNIT
			MIN.	TYP [‡] MAX	MIN.	TYP [‡] MAX	
V _{TH} Differential input high-threshold voltage [§]	V _O = 0.4 V, See Note 3	I _{OL} = 15 mA, V _{CC} = MIN, V _{ICR} = 0, See Note 4 V _{CC} = 5 V, V _{ICR} = MAX, See Note 5		0.5		0.5	V
V _{TL} Differential input low-threshold voltage [§]	V _O = 2.4 V, See Note 3	I _{OH} = -5 mA, V _{CC} = MIN, V _{ICR} = 0, See Note 4 V _{CC} = 5 V, V _{ICR} = MAX, See Note 5		-0.5 [¶]		-0.5 [¶]	V
V _I Input voltage range [#]	V _{CC} = 5 V.	V _{ID} = -1 V or 1 V. See Note 3	15 to -15		6 to 0		V
V _{OH} High-level output voltage	I _{DH} = -5 mA, See Note 3	V _{CC} = MIN, V _{ICR} = 0, V _{CC} = 5 V, V _{ICR} = MAX, See Note 5	2.4		2.4		V
V _{OL} Low-level output voltage	I _{OL} = 15 mA, See Note 3	V _{CC} = MIN, V _{ICR} = 0, V _{CC} = 5 V, V _{ICR} = MAX, See Note 5	2.4		2.4		V
I _{I(rec)} Receiver input current	V _{CC} = MAX, See Note 3	V _I = 0, V _I = 0.4 V, V _I = 2.4 V, Other input at 0 V Other input at 2.4 V Other input at 0.4 V		-0.5 -0.9 -0.4 -0.7 0.1 0.3		-0.5 -1 -0.4 -0.8 0.1 0.4	mA
I _I Input current at maximum input voltage	V _{CC} = MIN, V _{Strobe} = 4.5 V, V _{CC} = MAX,	V _{ID} = -0.5 V, V _I = 5.5 V		5		5	μA
						1	mA

[†]Unless otherwise noted V_{Strobe} = 2.4 V. All parameters with the exception of off-state open-collector output current are measured with the active pull-up connected to the sink output. For conditions shown as MIN or MAX, use the appropriate value specified under recommended operating conditions.

[‡]All typical values are at V_{CC} = 5 V, T_A = 25°C, and V_{IC} = 0.

[§]Differential voltages are at the B input terminal with respect to the A input terminal. Neither receiver input of the SN75117 or SN75119 should be taken negative with respect to GND.

[¶]The algebraic convention, where the less positive (more negative) limit is designated as minimum, is used in this data sheet for threshold voltages only.

[#]Input voltage range is the voltage range that, if exceeded at either input, will cause the receiver to cease functioning properly.

NOTES: 3. Measurement of these characteristics on the SN75117 and SN75119 requires the driver to be disabled with the driver enable at 0.8 V.

4. This applies with the less positive receiver input grounded. For SN55116, V_{ID} = -1 V.

5. For '116 and SN75118, this applies with the more positive receiver input at 15 V or the more negative receiver input at -15 V. For SN75117 and SN75119, this applies with the more positive receiver input at 6 V.

SN55116, SN75116 THRU SN75119 DIFFERENTIAL LINE TRANSCEIVERS

electrical characteristics over recommended operating free-air temperature range (unless otherwise noted) (continued)
receiver section

PARAMETER	TEST CONDITIONS†		'116, SN75118		*55117, SN75119		UNIT
	MIN	TYP‡	MAX	TYP‡	MAX	MAX	
I _{IH} High-level input current	V _{CC} = MAX, Enable	V _I = 2.4 V	SN75118, SN75119	40	40	40	μA
I _{IL} Low-level input current	V _{CC} = MAX, Strobe	V _{ID} = 0.5 V, V _{strobe} = 0.4 V, See Note 4	'116, SN75117	-2.4	-2.4	-2.4	mA
	V _{CC} = MAX, Enable	V _I = 0.4 V	SN75118, SN75119	-1.6	-1.6	-1.6	
I _(RC) Response-time-control current (Pin 9)	V _{CC} = MAX, RC at 0 V, See Note 4	V _{ID} = 0.5 V, See Note 4	T _A = 25°C	-1.2			mA
I _{O(off)} Off-state open-collector output current	V _{CC} = MAX, V _O = 12 V, V _{ID} = -1 V	T _A = 25°C	SN55116	1	10		μA
	V _{CC} = MAX, V _O = 0 to V _{CC} , RE at 0.4 V	T _A = MAX	SN75...	200	20		
	V _{CC} = MAX, V _O = 0 to V _{CC} , RE at 0.4 V	T _A = 25°C	SN75118, SN75119	±10	±10	±10	μA
R _T Line-terminating resistance	V _{CC} = 5 V	T _A = 25°C	SN75119	77	167		Ω
I _{OS} Short-circuit output current‡	V _{CC} = MAX, V _{ID} = -0.5 V, See Note 4	V _O = 0, See Note 4	T _A = 25°C	-15	-80	-15	mA
I _{CC} Supply current (driver and receiver combined)	V _{CC} = MAX, See Note 4	V _{ID} = 0.5 V	T _A = 25°C	42	60	42	mA

† Unless otherwise noted V_{strobe} = 2.4 V. All parameters with the exception of off-state open-collector output current are measured with the active pull-up connected to the sink output. For conditions shown as MIN or MAX, use the appropriate value specified under recommended operating conditions.
‡ All typical values are at V_{CC} = 5 V, T_A = 25°C, and V_{IC} = 0.
§ Not more than one output should be shorted at a time.
NOTE 4: This applies with the less positive receiver input grounded. For SN55116, V_{ID} = -1 V.



SN55116, SN75116 THRU SN75119 DIFFERENTIAL LINE TRANSCEIVERS

switching characteristics, $V_{CC} = 5\text{ V}$, $C_L = 30\text{ pF}$, $T_A = 25^\circ\text{C}$

receiver section

PARAMETER		TEST CONDITIONS	MIN	TYP	MAX	UNIT
t_{PLH}	Propagation delay time, low-to-high-level output	$R_L = 400\ \Omega$, See Figure 16		20	75	ns
t_{PHL}	Propagation delay time, high-to-low-level output			17	75	ns
t_{PZH}	Output enable time to high level	$R_L = 480\ \Omega$, See Figure 14		9	20	ns
t_{PZL}	Output enable time to low level	and $R_L = 250\ \Omega$, See Figure 15		16	35	ns
t_{PHZ}	Output disable time from high level	$R_L = 480\ \Omega$, See Figure 14		12	30	ns
t_{PLZ}	Output disable time from low level	only $R_L = 250\ \Omega$, See Figure 15		17	35	ns

TYPICAL CHARACTERISTICS

DRIVER OUTPUT VOLTAGE
vs
DRIVER INPUT VOLTAGE

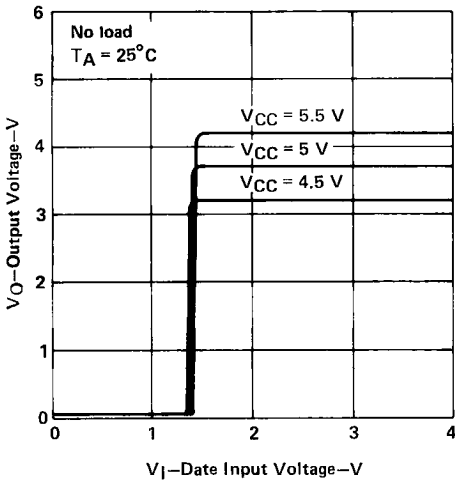


FIGURE 1

DRIVER OUTPUT VOLTAGE
vs
DRIVER INPUT VOLTAGE

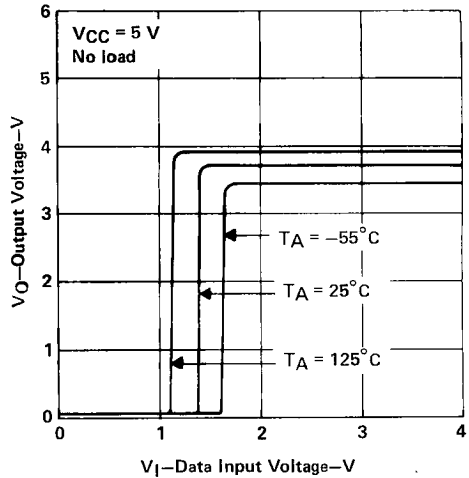


FIGURE 2

**SN55116, SN75116 THRU SN75119
DIFFERENTIAL LINE TRANSCEIVERS**

TYPICAL CHARACTERISTICS

**DRIVER HIGH-LEVEL OUTPUT VOLTAGE
vs
OUTPUT CURRENT**

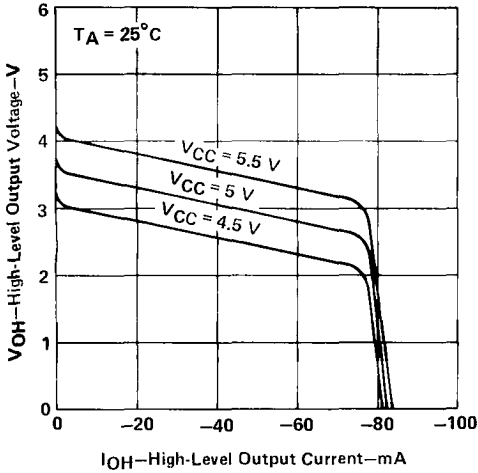


FIGURE 3

**DRIVER LOW-LEVEL OUTPUT VOLTAGE
vs
OUTPUT CURRENT**

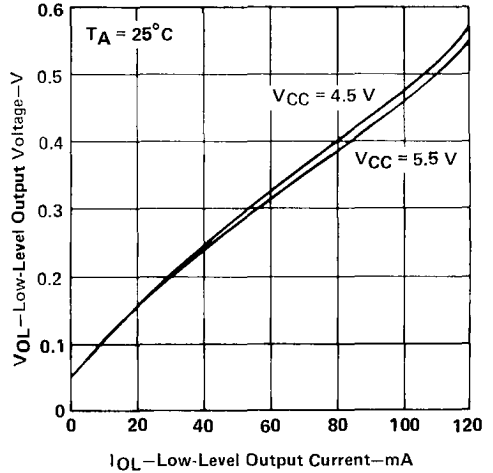


FIGURE 4

**DRIVER PROPAGATION DELAY TIMES
vs
FREE-AIR TEMPERATURE†**

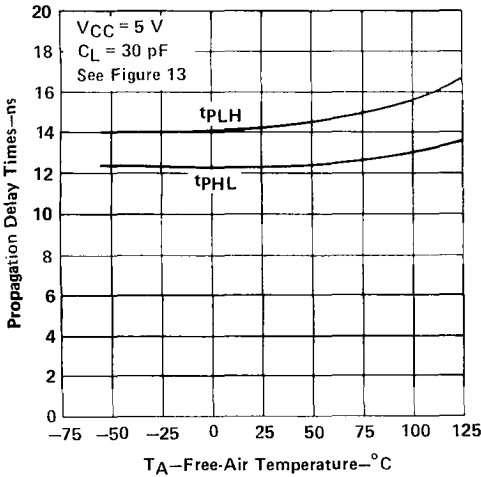


FIGURE 5

**DRIVER OUTPUT ENABLE AND DISABLE TIMES
vs
FREE-AIR TEMPERATURE†**

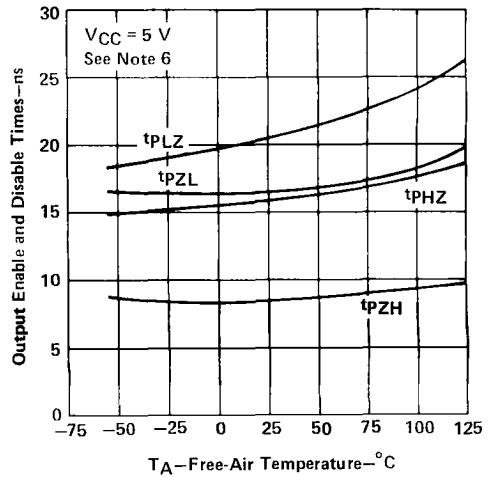


FIGURE 6

† Data for temperatures below 0°C and above 70°C are applicable to SN55116.

NOTE 6: For tPZH and tPHZ: $R_L = 180 \Omega$, see Figure 14. For tPZL and tPLZ: $R_L = 250 \Omega$, see Figure 15.



TYPICAL CHARACTERISTICS

RECEIVER OUTPUT VOLTAGE
vs
DIFFERENTIAL INPUT VOLTAGE

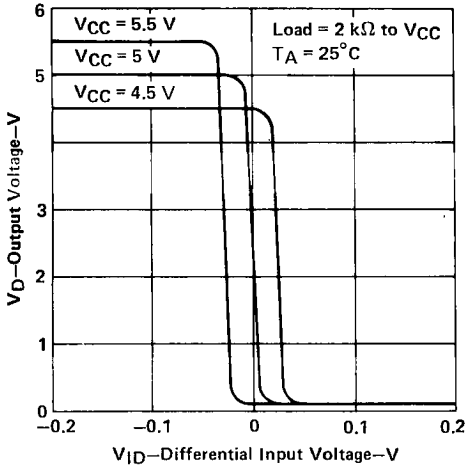


FIGURE 7

RECEIVER OUTPUT VOLTAGE
vs
DIFFERENTIAL INPUT VOLTAGE†

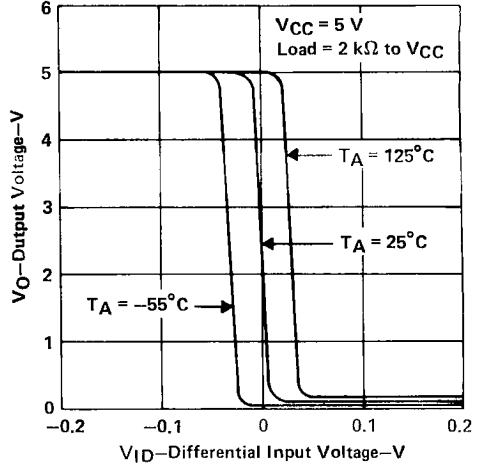


FIGURE 8

RECEIVER PROPAGATION DELAY TIMES
vs
FREE-AIR TEMPERATURE†

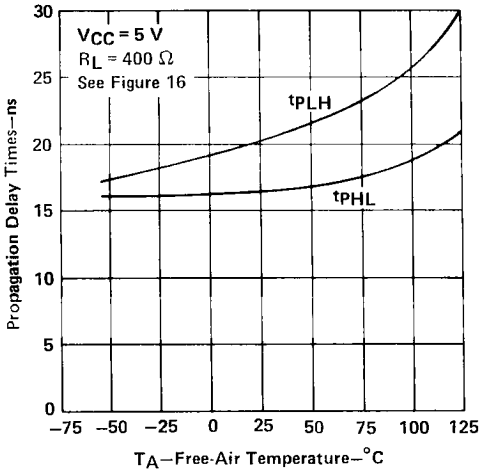


FIGURE 9

RECEIVER OUTPUT ENABLE AND DISABLE TIMES
vs
FREE-AIR TEMPERATURE†

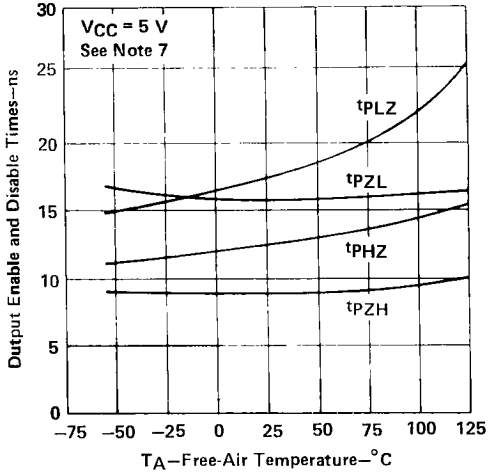


FIGURE 10

†Data for temperatures below 0°C and above 70°C are applicable to SN55116.

NOTE 7: For t_{PZH} and t_{PHZ} : $R_L = 480\ \Omega$, see Figure 14. For t_{PZL} and t_{PLZ} : $R_L = 250\ \Omega$, see Figure 15.

**SN55116, SN75116 THRU SN75119
DIFFERENTIAL LINE TRANSCEIVERS**

TYPICAL CHARACTERISTICS

SUPPLY CURRENT (DRIVER AND RECEIVER)
vs
SUPPLY VOLTAGE

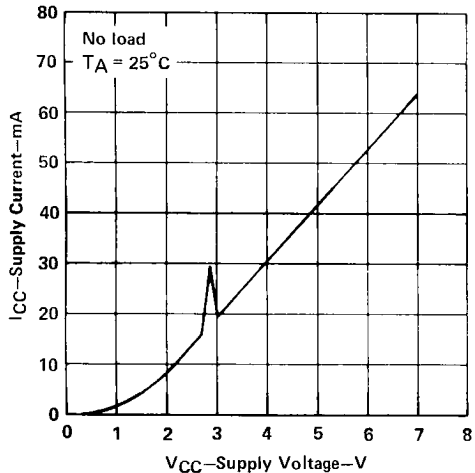


FIGURE 11

SUPPLY CURRENT (DRIVER & RECEIVER)
vs
FREE-AIR TEMPERATURE†

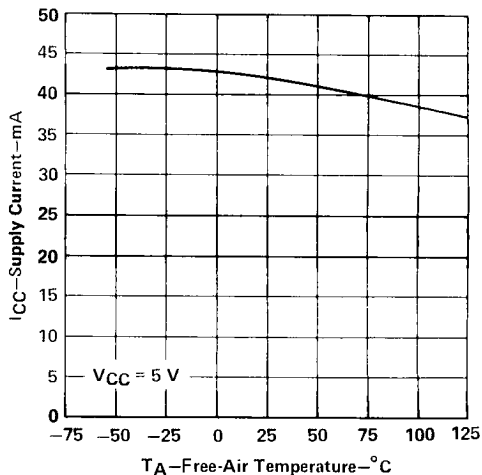


FIGURE 12

† Data for temperatures below 0°C and above 70°C are applicable to SN55116.

PARAMETER MEASUREMENT INFORMATION

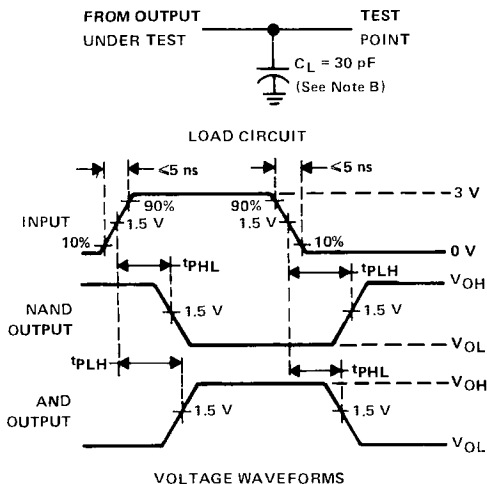


FIGURE 13. t_{pLH} and t_{pHL} (DRIVERS ONLY)

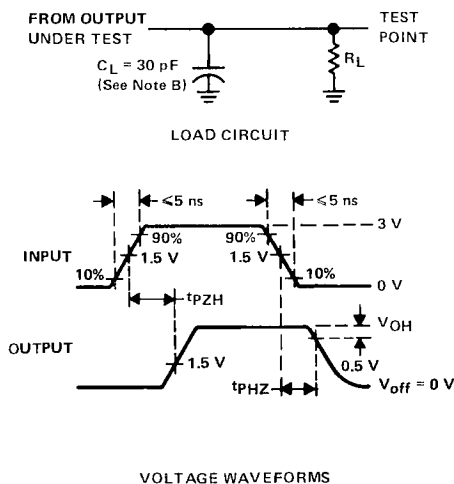


FIGURE 14. t_{pZH} and t_{pHZ}

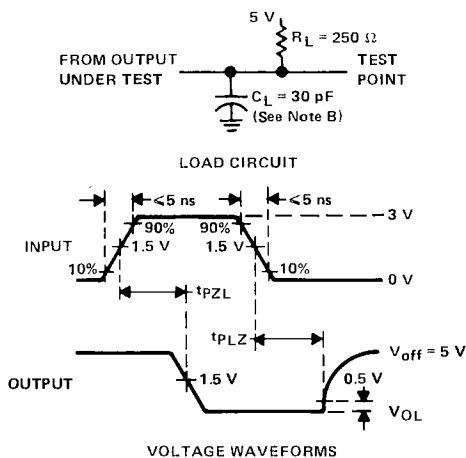


FIGURE 15. t_{pZL} and t_{pLZ}

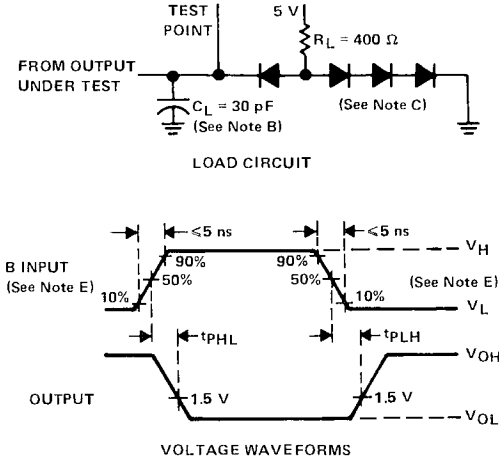


FIGURE 16. t_{pLH} and t_{pHL} (RECEIVERS ONLY)

- NOTES: A. Input pulses are supplied by generators having the following characteristics $Z_0 = 50 \Omega$, $PRR \leq 500 \text{ kHz}$, $t_w = 100 \text{ ns}$.
B. C_L includes probe and jig capacitance.
C. All diodes are 1N3064 or equivalent.
D. When testing the '116 and SN75118 receiver sections, the response-time control and the termination resistor pins are left open.
E. For '116 and SN75118, $V_H = 3 \text{ V}$, $V_L = -3 \text{ V}$, the A input is at 0 V.
For SN75117 and SN75119, $V_H = 3 \text{ V}$, $V_L = 0$, the A input is at 1.5 V.

SN55121, SN75121 DUAL LINE DRIVERS

D1334, SEPTEMBER 1973—REVISED SEPTEMBER 1986

- Designed for Digital Data Transmission over 50-Ω to 500-Ω Coaxial Cable, Strip Line, or Twisted Pair
- High-Speed
 $t_{pd} = 20 \text{ ns Max at } C_L = 15 \text{ pF}$
- TTL Compatible With Single 5-V Supply
- 2.4-V Output at $I_{OH} = -75 \text{ mA}$
- Uncommitted Emitter-Follower Output Structure for Party-Line Operation
- Short-Circuit Protection
- AND-OR Logic Configuration
- Designed for Use With Triple Line Receivers SN55122, SN75122
- Designed to Be Interchangeable With Signetics N8T13

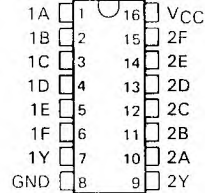
description

The SN55121 and SN75121 dual line drivers are designed for digital data transmission over lines having impedances from 50 to 500 ohms. They are also compatible with standard TTL logic and supply voltage levels.

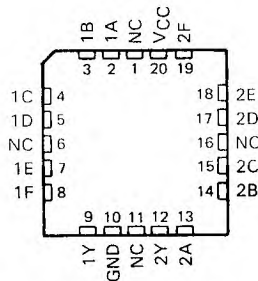
The low-impedance emitter-follower outputs of the SN55121 and SN75121 will drive terminated lines such as coaxial cable or twisted pairs. Having the outputs uncommitted allows wired-OR logic to be performed in party-line applications. Output short-circuit protection is provided by an internal clamping network which turns on when the output voltage drops below approximately 1.5 V. All of the inputs are in conventional TTL configuration and the gating can be used during power-up and power-down sequences to ensure that no noise is introduced to the line.

The SN55121 is characterized for operation over the full military temperature range of -55°C to 125°C . The SN75121 is characterized for operation from 0°C to 70°C .

SN55121 . . . J PACKAGE
SN75121 . . . D, J, OR N PACKAGE
(TOP VIEW)



SN55121 . . . FK PACKAGE
(TOP VIEW)



NC—No internal connection

FUNCTION TABLE

INPUTS						OUTPUT
A	B	C	D	E	F	Y
H	H	H	H	X	X	H
X	X	X	X	H	H	H
All other input combinations						L

H = high level
L = low level
X = irrelevant

PRODUCTION DATA: Documents contain information that is subject to change without notice. Products are sold as shown in this document. Texas Instruments does not warrant the performance of any product unless specifically stated in the product data sheet. Production processing does not include testing of all parameters.

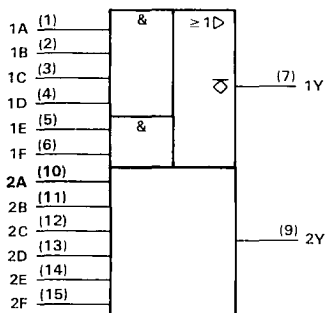
TEXAS
INSTRUMENTS

POST OFFICE BOX 655303 • DALLAS, TEXAS 75265

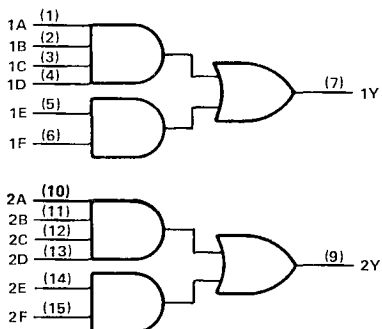
Copyright © 1986, Texas Instruments Incorporated

SN55121, SN75121 DUAL LINE DRIVERS

logic symbol†

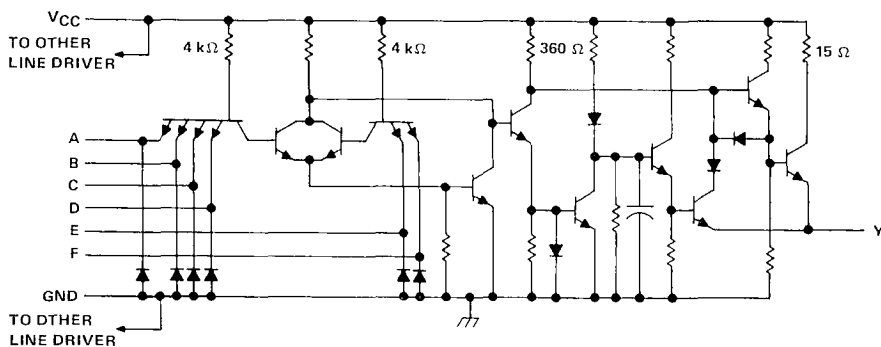


logic diagram (positive logic)



†This symbol is in accordance with ANSI/IEEE Std 91-1984 and IEC Publication 617-12.
Pin numbers shown are for D, J, and N packages.

schematic (each driver)



All resistor values shown are nominal.

absolute maximum ratings over operating free-air temperature range (unless otherwise noted)

	SN55121	SN75121	UNIT
Supply voltage, V_{CC} (see Note 1)	6	6	V
Input voltage	6	6	V
Output voltage	6	6	V
Continuous total power dissipation (see Note 2)	See Dissipation Rating Table		
Operating free-air temperature range	-55 to 125	0 to 70	°C
Storage temperature range	-65 to 150	-65 to 150	°C
Case temperature for 60 seconds: FK package	—	—	°C
Lead temperature 1,6 mm (1/16 inch) from case for 60 seconds: J package	—	—	°C
Lead temperature 1,6 mm (1/16 inch) from case for 10 seconds: D or N package	—	—	°C

- NOTES: 1. All voltage values are with respect to both ground terminals connected together.
2. In the FK and J packages, SN55121 chips are either silver glass or alloy mounted and SN75121 chips are glass mounted.

DISSIPATION RATING TABLE

PACKAGE	$T_A \leq 25^\circ\text{C}$	DERATING FACTOR ABOVE $T_A = 25^\circ\text{C}$	$T_A = 70^\circ\text{C}$		$T_A = 125^\circ\text{C}$
	POWER RATING		PO. RATING	POWER RATING	
D	950 mW	7.6 mW/°C	—	—	—
FK	1375 mW	11.0 mW/°C	880 mW	275 mW	—
J (SN55121)	1375 mW	11.0 mW/°C	880 mW	275 mW	—
J (SN75121)	1025 mW	8.2 mW/°C	656 mW	—	—
N	1150 mW	9.2 mW/°C	736 mW	—	—

recommended operating conditions

	SN55121			SN75121			UNIT
	MIN	TYP	MAX	MIN	TYP	MAX	
Supply voltage, V_{CC}	4.75	5	5.25	4.75	5	5.25	V
High-level input voltage, V_{IH}	2			2			V
Low-level input voltage, V_{IL}	0.8			0.8			V
High-level output current, I_{OH}	-75			-75			mA
Operating free-air temperature, T_A	-55			125			°C

SN55121, SN75121 DUAL LINE DRIVERS

electrical characteristics over recommended ranges of supply voltage and operating free-air temperature range (unless otherwise noted)

PARAMETER	TEST CONDITIONS	MIN	MAX	UNIT
V_{IK} Input clamp voltage	$V_{CC} = 5\text{ V}$, $I_I = -12\text{ mA}$		-1.5	V
$V_{(BR)I}$ Input breakdown voltage	$V_{CC} = 5\text{ V}$, $I_I = 10\text{ mA}$	5.5		V
V_{OH} High-level output voltage	$V_{IH} = 2\text{ V}$, $I_{OH} = -75\text{ mA}$, See Note 3	2.4		V
I_{OH} High-level output current	$V_{CC} = 5\text{ V}$, $V_{IH} = 4.5\text{ V}$, $V_{OH} = 2\text{ V}$, $T_A = 25^\circ\text{C}$, See Note 3	-100	-250	mA
I_{OL} Low-level output current	$V_{IL} = 0.8\text{ V}$, $V_{OL} = 0.4\text{ V}$, See Note 3		-800	μA
$I_{O(off)}$ Quiescent-state output current	$V_{CC} = 3\text{ V}$, $V_O = 3\text{ V}$		500	μA
I_{IH} High-level input current	$V_I = 4.5\text{ V}$		40	mA
I_{IL} Low-level input current	$V_I = 0.4\text{ V}$	-0.1	-1.6	mA
I_{OS} Short-circuit output current †	$V_{CC} = 5\text{ V}$, $T_A = 25^\circ\text{C}$		-30	mA
I_{CCH} Supply current, outputs high	$V_{CC} = 5.25\text{ V}$, All inputs at 2 V, Outputs open		28	mA
I_{CCL} Supply current, outputs low	$V_{CC} = 5.25\text{ V}$, All inputs at 0.8 V, Outputs open		60	mA

† Not more than one output should be shorted at a time.

NOTE 3: The output voltage and current limits are valid for any appropriate combination of high and low inputs specified by the function table for the desired output.

switching characteristics, $V_{CC} = 5\text{ V}$, $T_A = 25^\circ\text{C}$

PARAMETER	TEST CONDITIONS	MIN	TYP	MAX	UNIT
t_{PLH} Propagation delay time, low-to-high-level output	$R_L = 37\ \Omega$, $C_L = 15\text{ pF}$,		11	20	ns
t_{PHL} Propagation delay time, high-to-low-level output	See Figure 1		8	20	
t_{PLH} Propagation delay time, low-to-high-level output	$R_L = 37\ \Omega$, $C_L = 1000\text{ pF}$,		22	50	ns
t_{PHL} Propagation delay time, high-to-low-level output	See Figure 1		20	50	

PARAMETER MEASUREMENT INFORMATION

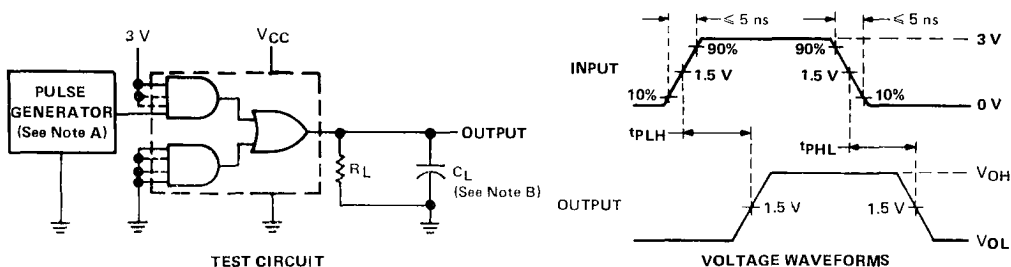


FIGURE 1. SWITCHING TIMES

NOTES: A. The pulse generators have the following characteristics: $Z_o = 50\ \Omega$, $t_w = 200\text{ ns}$, duty cycle $\leq 50\%$, PRR $\leq 500\text{ kHz}$.
B. C_L includes probe and jig capacitance.

TYPICAL CHARACTERISTICS

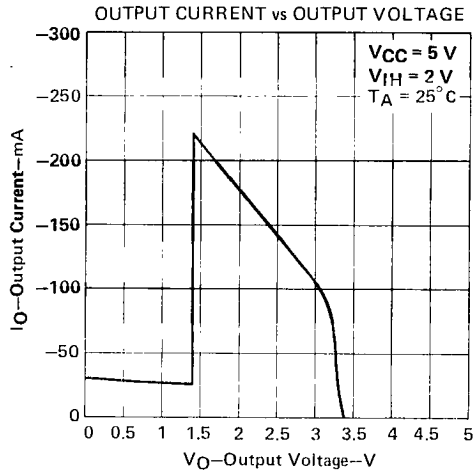


FIGURE 2

APPLICATION INFORMATION

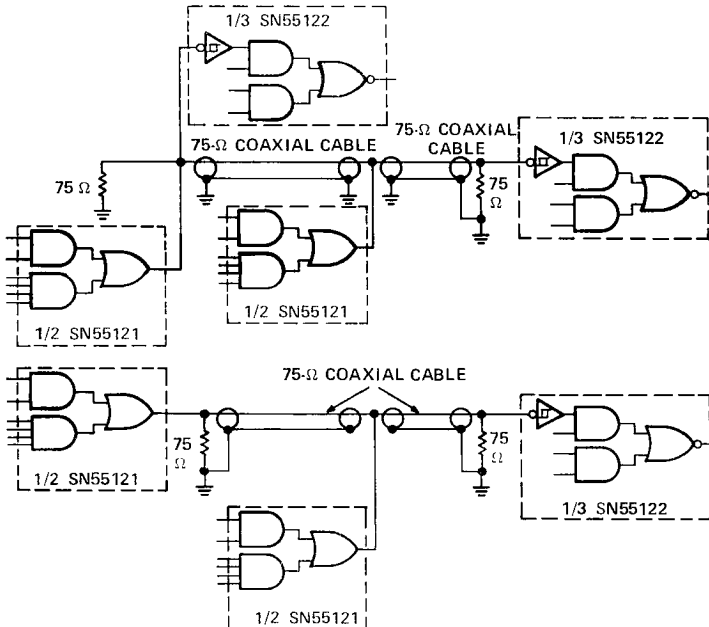


FIGURE 3. SINGLE-ENDED PARTY LINE CIRCUITS

SN55122, SN75122 TRIPLE LINE-RECEIVERS

D1334, SEPTEMBER 1973—REVISED SEPTEMBER 1986

- Designed for Digital Data Transmission Over Coaxial Cable, Strip Line, or Twisted Pair
- Designed for Operation With 50-Ω to 500-Ω Transmission Lines
- TTL Compatible
- Single 5-V Supply
- Built-In Input Threshold Hysteresis
- High Speed . . . Typical Propagation Delay Time = 20 ns
- Independent Channel Strobes
- Input Gating Increases Application Flexibility
- Fanout to 10 Series 54/74 Standard Loads
- Can Be Used With Dual Line-Drivers SN55121 and SN75121
- Interchangeable With Signetics N8T14

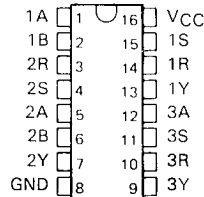
description

The SN55122 and SN75122 are triple line-receivers that are designed for digital data transmission over lines having impedances from 50 to 500 Ω. They are also compatible with standard TTL-logic and supply voltage levels.

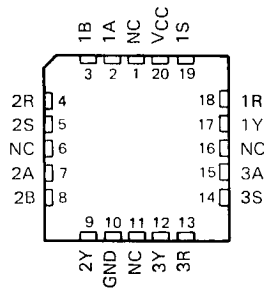
The SN55122 and SN75122 have receiver inputs with built-in hysteresis to provide increased noise margin for single-ended systems. The high impedance of this input presents a minimum load to the driver and allows termination of the transmission line in its characteristic impedance to minimize line reflection. An open line will affect the receiver input as would a low-level voltage. The receiver can withstand a level of -0.15 V with power on or off. The other inputs are in TTL configuration. The S input must be high to enable the receiver input. Two of the line receivers have A and B inputs that, if both are high, will hold the output low. The third receiver has only an A input that, if high, will hold the output low.

The SN55122 is characterized for operation over the full military temperature range of -55°C to 125°C. The SN75122 is characterized for operation from 0°C to 70°C.

SN55122 . . . J PACKAGE
SN75122 . . . D, J, OR N PACKAGE
(TOP VIEW)



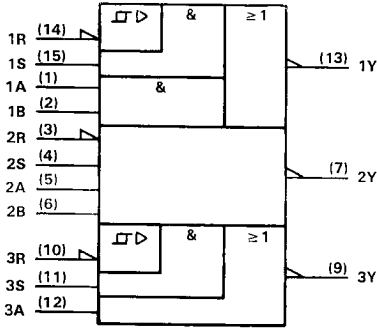
SN55122 . . . FK PACKAGE
(TOP VIEW)



NC—No internal connection

SN55122, SN75122
TRIPLE LINE-RECEIVERS

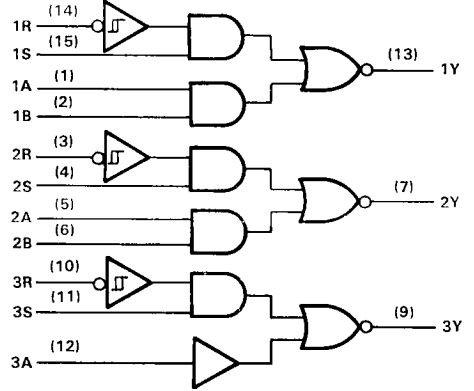
logic symbol†



†This symbol is in accordance with ANSI/IEEE Std 91-1984 and IEC Publication 617-12.

Pin numbers shown are for D, J, and N packages.

logic diagram



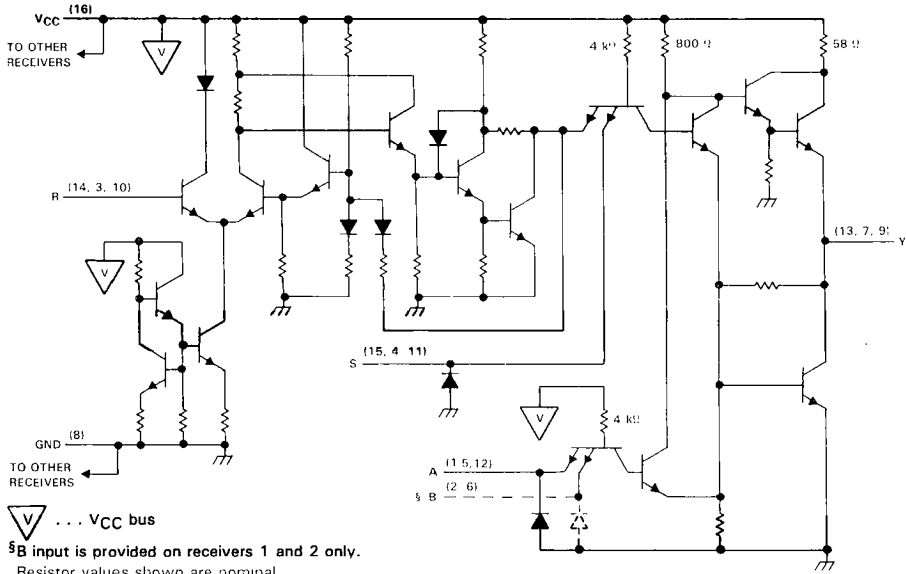
FUNCTION TABLE

INPUTS				OUTPUT
A	B [†]	R	S	Y
H	H	X	X	L
X	X	L	H	L
L	X	H	X	H
L	X	X	L	H
X	L	H	X	H
X	L	X	L	H

†B input and last two lines of the function table are applicable to receivers 1 and 2 only.

H = high level
 L = low level
 X = irrelevant

schematic diagram (each receiver)



absolute maximum ratings over operating free-air temperature range (unless otherwise noted)

Supply voltage, V _{CC} (see Note 1)	6 V
Input voltage: R input	6 V
A, B, or S input	5.5 V
Output voltage	6 V
Output current	±100 mA
Continuous total power dissipation (see Note 2)	See Dissipation Rating Table
Operating free-air temperature range: SN55122	-55°C to 125°C
SN75122	0°C to 70°C
Storage temperature range	-65°C to 150°C
Case temperature for 60 seconds: FK package	260°C
Lead temperature 1,6 mm (1/16 inch) from case for 60 seconds: J package	300°C
Lead temperature 1,6 mm (1/16 inch) from case for 10 seconds: D or N package	260°C

- NOTES: 1. Voltage values are with respect to network ground terminal.
2. In the FK and J packages, SN55122 chips are alloy mounted and in the J package, SN75122 chips are glass mounted.

DISSIPATION RATING TABLE

PACKAGE	T _A ≤ 25°C POWER RATING	DERATING FACTOR ABOVE T _A = 25°C	T _A = 70°C POWER RATING	T _A = 125°C POWER RATING
D	950 mW	7.6 mW/°C	608 mW	—
FK	1375 mW	11.0 mW/°C	880 mW	275 mW
J (SN55122)	1375 mW	11.0 mW/°C	880 mW	275 mW
J (SN75122)	1025 mW	8.2 mW/°C	656 mW	—
N	1150 mW	9.2 mW/°C	736 mW	—

SN55122, SN75122 TRIPLE LINE-RECEIVERS

recommended operating conditions

		MIN	NOM	MAX	UNIT	
Supply voltage, V_{CC}		4.75	5	5.25	V	
High-level input voltage, V_{IH}		A, B, R, or S			2	V
Low-level input voltage, V_{IL}		A, B, R, or S			0.8	V
High-level output current, I_{OH}					-500	μ A
Low-level output current, I_{OL}					16	mA
Operating free-air temperature, T_A	A, B, R, or S	.22		-55	125	$^{\circ}$ C
		.22		0	70	$^{\circ}$ C

electrical characteristics over recommended operating free-air temperature, $V_{CC} = 4.75$ V to 5.25 V (unless otherwise noted)

PARAMETER			TEST CONDITIONS	MIN	TYP [†]	MAX	UNIT
V_{hys} [‡]	Hysteresis	R	$V_{CC} = 5$ V, $T_A = 25^{\circ}$ C	0.3	0.6		V
V_{IK}	Input clamp voltage	A, B, or S	$V_{CC} = 5$ V, $I_I = -12$ mA			-1.5	V
$V_{I(BR)}$	Input breakdown voltage	A, B, or S	$V_{CC} = 5$ V, $I_I = 10$ mA	5.5			V
V_{OH}	High-level output voltage	A, B, or S	$V_{IH} = 2$ V, $V_{IL} = 0.8$ V, $I_{OH} = -500$ μ A	2.6			V
			$V_{I(A)} = 0$, $V_{I(B)} = 0$, $V_{I(S)} = 1.45$ V (see Note 3), $V_{I(R)} = 1.45$ V (see Note 3), $I_{OH} = -500$ μ A	2.6			
V_{OL}	Low-level output voltage	A, B, or S	$V_{IH} = 2$ V, $V_{IL} = 0.8$ V, $I_{OL} = 16$ mA			0.4	V
			$V_{I(A)} = 0$, $V_{I(B)} = 0$, $V_{I(S)} = 2$ V, $V_{I(R)} = 1.45$ V (see Note 4), $I_{OL} = 16$ mA			0.4	
I_{IH}	High-level input current	A, B, or S	$V_I = 4.5$ V			40	μ A
		R	$V_I = 3.8$ V			170	
I_{IL}	Low-level input current	A, B, or S	$V_I = 0.4$ V, $V_{IR} = 0.8$ V	-0.1		-1.6	mA
I_{OS} [§]	Short-circuit output current		$V_{CC} = 5$ V, $T_A = 25^{\circ}$ C	-50		-100	mA
I_{CCH}	High-level supply current		$V_{CC} = 5.25$ V, All inputs at 0.8 V, Outputs open			72	mA
I_{CCL}	Low-level supply current		$V_{CC} = 5.25$ V, All inputs at 2 V, Outputs open (see Note 5)			100	mA

[†]All typical values are at $V_{CC} = 5$ V and $T_A = 25^{\circ}$ C.

[‡]Hysteresis is the difference between the positive-going input threshold voltage, V_{T+} , and the negative-going input threshold voltage, V_{T-} . See Figure 4.

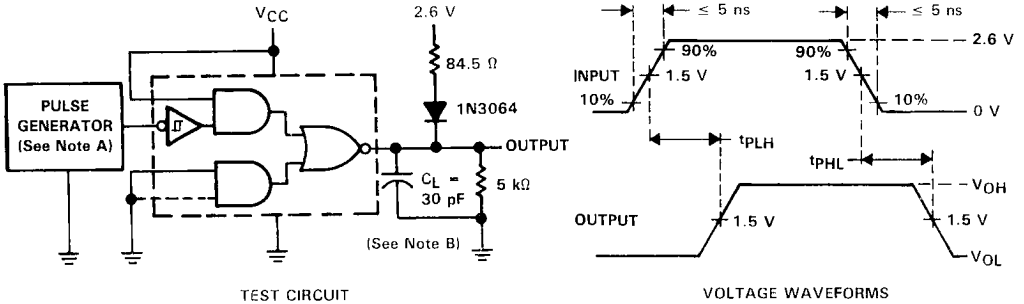
[§]Not more than one output should be shorted at a time and duration of the short circuit should not exceed one second.

- NOTES: 3. The receiver input was high immediately before being reduced to 1.45 V.
4. The receiver input was low immediately before being increased to 1.45 V.
5. For SN55122, $V_{CC} = 5.5$ V

switching characteristics, $V_{CC} = 5$ V, $T_A = 25^{\circ}$ C

PARAMETER		TEST CONDITIONS	MIN	TYP	MAX	UNIT
t_{PLH}	Propagation delay time, low-to-high-level output from R input	See Figure 1		20	30	ns
t_{PHL}	Propagation delay time, high-to-low-level output from R input	See Figure 1		20	30	ns

PARAMETER MEASUREMENT INFORMATION



NOTES: A. The pulse generator has the following characteristics: $Z_0 \approx 50 \Omega$, $t_w = 200 \text{ ns}$, duty cycle = 50%, PRR = 500 kHz.
B. C_L includes probe and jig capacitance.

FIGURE 1. SWITCHING TIMES

TYPICAL CHARACTERISTICS

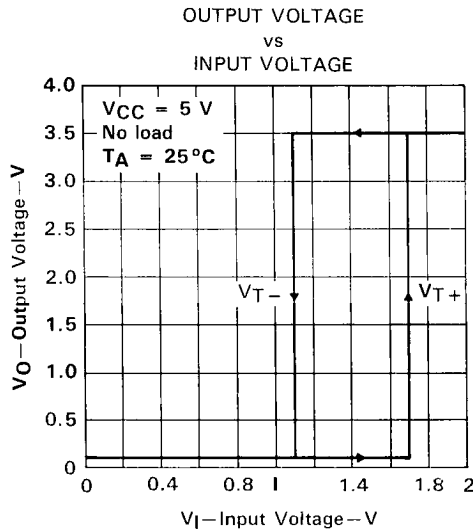


FIGURE 2

APPLICATION INFORMATION

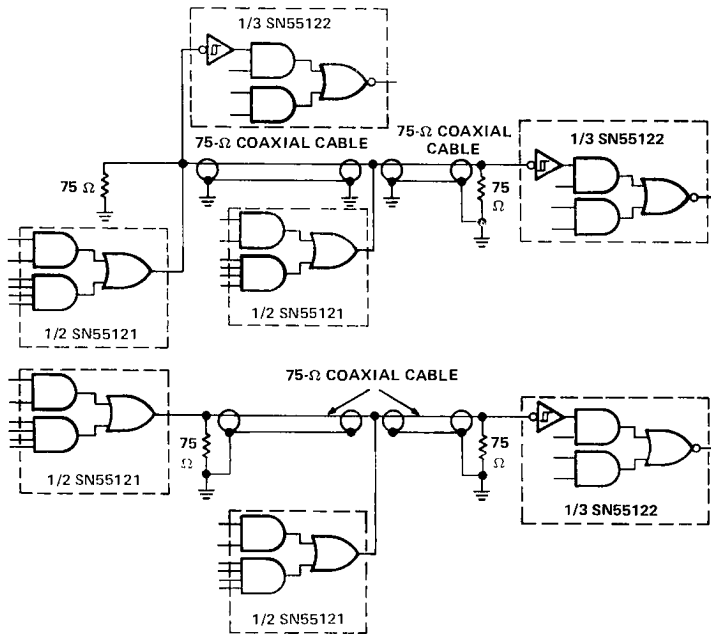
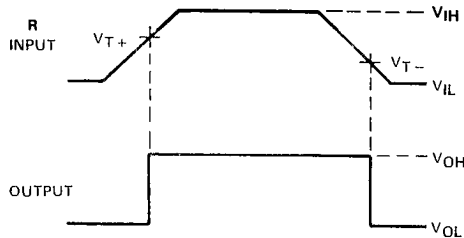


FIGURE 3. SINGLE-ENDED PARTY LINE CIRCUITS



The high gain and built-in hysteresis of the SN55122 and SN75122 line receivers enable them to be used as Schmitt triggers in squaring pulses.

FIGURE 4. PULSE SQUARING

SN55138, SN75138 QUADRUPLE BUS TRANSCEIVERS

D1663, SEPTEMBER 1973—REVISED SEPTEMBER 1986

- Single 5-V Supply
- High-Input-Impedance, High-Threshold Receivers
- Common Driver Strobe
- TTL-Compatible Driver and Strobe Inputs with Clamp Diodes
- High-Speed Operation
- 100-mA Open-Collector Driver Outputs
- Four Independent Channels
- TTL-Compatible Receiver Output

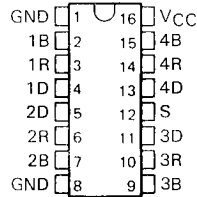
description

The SN55138 and SN75138 quad bus transceivers are designed for two-way data communication over single-ended transmission lines. Each of the four identical channels consists of a driver with TTL inputs and a receiver with a TTL output. The driver open-collector output is designed to handle loads of up to 100 mA open-collector. The receiver input is internally connected to the driver output, and has a high impedance to minimize loading of the transmission line. Because of the high driver-output current and the high receiver-input impedance, a very large number (typically hundreds) of transceivers may be connected to a single data bus.

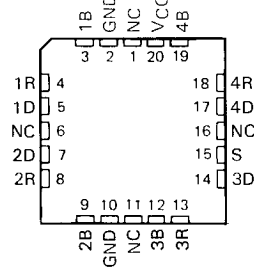
The receiver design also features a threshold of 2.3 V (typical), providing a wider noise margin than would be possible with a receiver having the usual TTL threshold. A strobe turns off all drivers (high impedance) but does not affect receiver operation. These circuits are designed for operation from a single 5-V supply and include a provision to minimize loading of the data bus when the power-supply voltage is zero.

The SN55138 is characterized for operation over the full military temperature range of -55°C to 125°C . The SN75138 is characterized for operation from 0°C to 70°C .

SN55138 . . . J PACKAGE
SN75138 . . . D, J, OR N PACKAGE
(TOP VIEW)



SN55138 . . . FK PACKAGE
(TOP VIEW)



NC—No internal connection

FUNCTION TABLE
(TRANSMITTING)

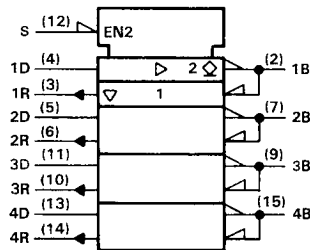
INPUTS	OUTPUTS
S D	B R
L H	L H
L L	H L

FUNCTION TABLE
(RECEIVING)

INPUTS	OUTPUT
S B D	R
H H X	L
H L X	H

H = high level, L = low level, X = irrelevant

logic symbol†



† This symbol is in accordance with ANSI/IEEE Std 91-1984 and IEC Publication 617-12.

Pin numbers shown are for D, J, and N packages.

PRODUCTION DATA documents contain information current as of publication date. Products conform to specifications per the terms of Texas Instruments standard warranty. Production processing does not necessarily include testing of all parameters.

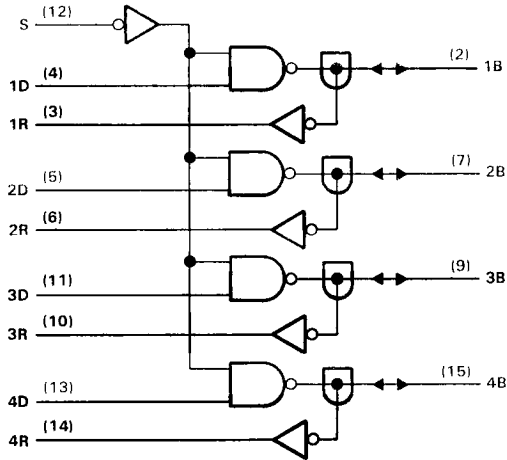
TEXAS
INSTRUMENTS

POST OFFICE BOX 655303 • DALLAS, TEXAS 75265

Copyright © 1986, Texas Instruments Incorporated

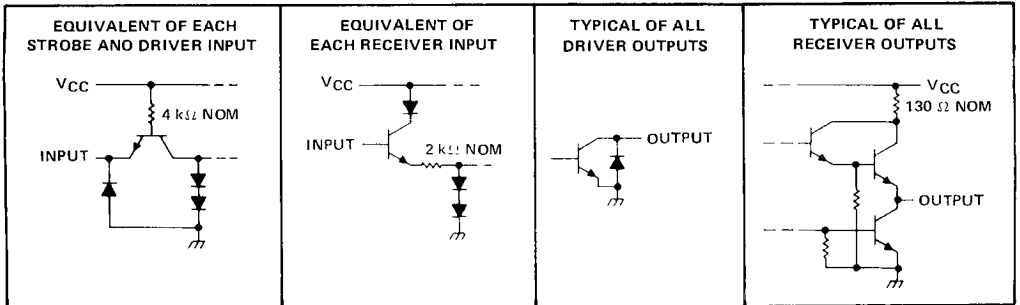
SN55138, SN75138 QUADRUPLE BUS TRANSCEIVERS

logic diagram (positive logic)



Pin numbers shown are for D, J, and N packages

schematics of inputs and outputs



**SN55138, SN75138
QUADRUPLE BUS TRANSCEIVERS**

absolute maximum ratings over operating free-air temperature range (unless otherwise noted)

	SN55138	SN75138	UNIT
Supply voltage, V_{CC} (see Note 1)	7	7	V
Input voltage		5.5	V
Driver off-state output voltage		7	V
Low-level output current into the driver output	150	150	mA
Continuous total power dissipation (see Note 2)	See Dissipation Rating Table		
Operating free-air temperature range	-55 to 125	0 to 70	°C
Storage temperature range	-65 to 150	-65 to 150	°C
Lead temperature 1,6 mm (1/16 inch) from case for 10 seconds: D or N package		260	°C
Case temperature for 60 seconds: FK package	260		°C
Lead temperature 1,6 mm (1/16 inch) from case for 60 seconds: J package		300	°C

- NOTES: 1. All voltage values are with respect to both ground terminals connected together.
 2. In the FK and J packages, SN55138 chips are alloy mounted and SN75138 chips are glass mounted.

DISSIPATION RATING TABLE

PACKAGE	$T_A \leq 25^\circ\text{C}$	DERATING FACTOR	$T_A = 70^\circ\text{C}$	$T_A = 125^\circ\text{C}$
	POWER RATING	ABOVE $T_A = 25^\circ\text{C}$	POWER RATING	POWER RATING
D	950 mW	7.6 mW/°C	608 mW	—
FK	1375 mW	11.0 mW/°C	880 mW	275 mW
J (SN55138)	1375 mW	11.0 mW/°C	880 mW	275 mW
J (SN75138)	1025 mW	8.2 mW/°C	656 mW	—
N	1150 mW	9.2 mW/°C	736 mW	—

recommended operating conditions

		SN55138			SN75138			UNIT
		MIN	NOM	MAX	MIN	NOM	MAX	
Supply voltage, V_{CC}		4.5	5	5.5	4.75	5	5.25	V
High-level input voltage, V_{IH}	Driver or strobe	2			2			V
	Receiver	3.2			2.9			
Low-level input voltage, V_{IL}	Driver or strobe	0.8			0.8			V
	Receiver	1.5			1.8			
High-level output current, I_{OH}	Receiver output	-400			-400			μA
Low-level output current, I_{OL}	Driver output	100			100			mA
	Receiver output	16			16			
Operating free-air temperature, T_A		-55	125		0	70		°C

SN55138, SN75138 QUADRUPLE BUS TRANSCEIVERS

electrical characteristics over recommended operating free-air temperature range (unless otherwise noted)

PARAMETER		TEST CONDITIONS†	SN55138		SN75138		UNIT		
			MIN	TYP‡	MAX	MIN		TYP‡	MAX
V_{IK}	Input clamp voltage	Driver or strobe	$V_{CC} = \text{MIN}, I_I = -12 \text{ mA}$		-1.5		V		
V_{OH}	High-level output voltage	Receiver	$V_{CC} = \text{MIN}, V_{IH(S)} = 2 \text{ V}, V_{IL(R)} = V_{IL} \text{ max}, I_{OH} = -400 \mu\text{A}$		2.4	3.5	2.4	3.5	V
V_{OL}	Low-level output voltage	Driver	$V_{CC} \text{ MIN}, V_{IL(S)} = 0.8 \text{ V}, V_{IH(D)} = 2 \text{ V}, I_{OL} = 100 \text{ mA}$		0.45		0.45		V
		Receiver	$V_{CC} = \text{MIN}, V_{IH(S)} = 2 \text{ V}, V_{IH(R)} = V_{IH} \text{ min}, I_{OL} = 16 \text{ mA}$		0.4		0.4		
I_I	Input current at maximum input voltage	Driver or strobe	$V_{CC} = \text{MAX}, V_I = V_{CC}$		1		1		mA
I_{IH}	High-level input current	Driver or strobe	$V_{CC} = \text{MAX}, V_I = 2.4 \text{ V}$		40		40		μA
		Receiver	$V_{CC} = 5 \text{ V}, V_{I(S)} = 2 \text{ V}, V_{I(R)} = 4.5 \text{ V}$		25	300	25	300	
I_{IL}	Low-level input current	Driver or strobe	$V_{CC} = \text{MAX}, V_I = 0.4 \text{ V}$		-1	-1.6	-1	-1.6	mA
		Receiver	$V_{CC} = \text{MAX}, V_{I(S)} = 2 \text{ V}, V_{I(R)} = 0.45 \text{ V}$		-50		-50		μA
	Input current with power off	Receiver	$V_{CC} = 0, V_I = 4.5 \text{ V}$		1.1	1.5	1.1	1.5	mA
I_{OS}	Short-circuit output current§	Receiver	$V_{CC} = \text{MAX}$		-20	-55	-18	-55	mA
I_{CC}	Supply current	All driver outputs low	$V_{CC} = \text{MAX}, V_{I(D)} = 2 \text{ V}, V_{I(S)} = 0.8 \text{ V}$		50	65	50	65	mA
		All driver outputs high	$V_{CC} = \text{MAX}, V_{I(S)} = 2 \text{ V}, V_{I(R)} = 3.5 \text{ V}, \text{Receiver outputs open}$		42	55	42	55	

†For conditions shown as MIN or MAX, use the appropriate value specified under recommended operating conditions. Parenthetical letters D, R, and S used with V_I refer to the driver input, receiver input, and strobe input, respectively.

‡All typical values are at $V_{CC} = 5 \text{ V}, T_A = 25^\circ\text{C}$.

§Not more than one output should be shorted at a time.

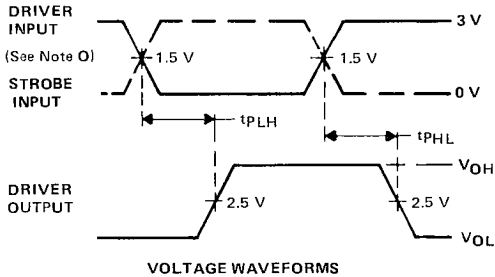
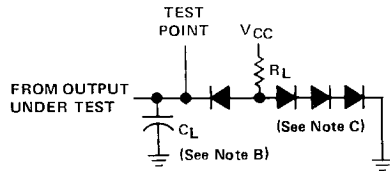
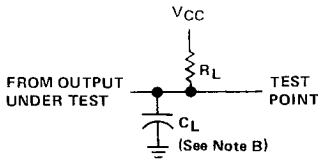
switching characteristics, $V_{CC} = 5 \text{ V}, T_A = 25^\circ\text{C}$

PARAMETER	FROM (INPUT)	TO (OUTPUT)	TEST CONDITIONS	MIN	TYP	MAX	UNIT
t_{PLH}	Driver	Driver	$C_L = 50 \text{ pF}, R_L = 50 \Omega,$ See Figure 1	15		24	ns
t_{PHL}				14		24	
t_{PLH}	Strobe	Driver		18		28	ns
t_{PHL}				22		32	
t_{PLH}	Receiver	Receiver	$C_L = 15 \text{ pF}, R_L = 400 \Omega,$ See Figure 2	7		15	ns
t_{PHL}				8		15	

† t_{PLH} = propagation delay time, low-to-high-level output

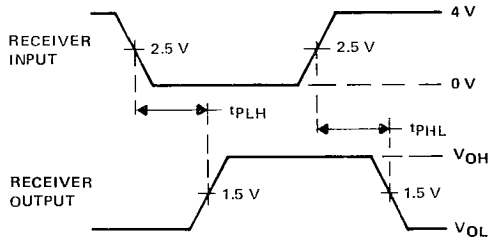
t_{PHL} = propagation delay time, high-to-low-level output.

PARAMETER MEASUREMENT INFORMATION



VOLTAGE WAVEFORMS

FIGURE 1. PROPAGATION DELAY TIMES FROM DATA AND STROBE INPUTS



VOLTAGE WAVEFORMS

FIGURE 2. PROPAGATION DELAY TIMES FROM RECEIVER INPUT

- NOTES: A. Input pulses are supplied by generators having the following characteristics: $t_w = 100$ ns, $PRR \leq 1$ MHz, $t_r \leq 10$ ns, $t_f \leq 10$ ns, $Z_0 \approx 50 \Omega$.
- B. C_L includes probe and jig capacitance.
- C. All diodes are 1N916 or 1N3064.
- O. When testing driver input (solid line) strobe must be low; when testing strobe input (dashed line) driver input must be high.

TYPICAL CHARACTERISTICS†

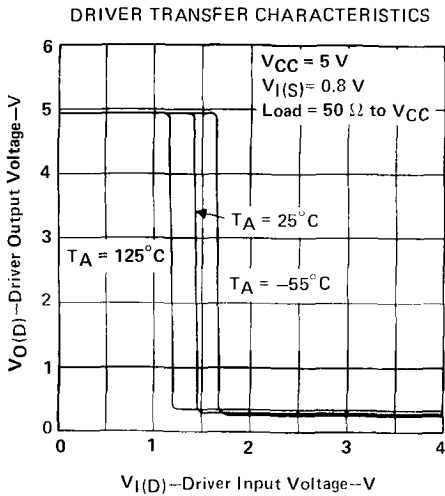


FIGURE 3

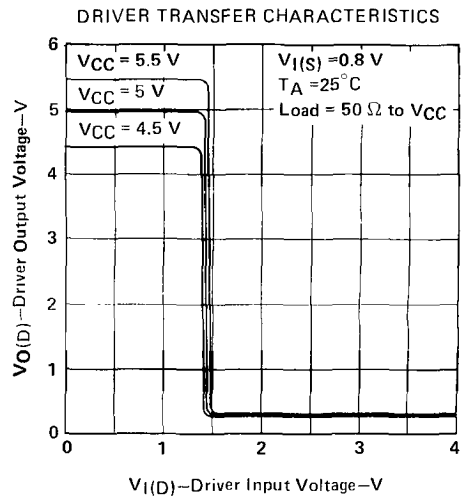


FIGURE 4

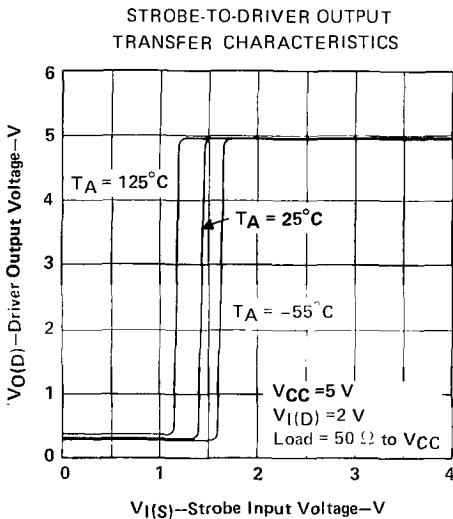


FIGURE 5

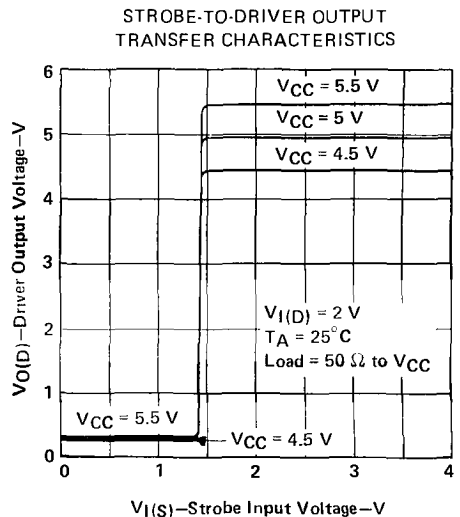


FIGURE 6

†Data for temperatures below 0°C and above 70°C is applicable to SN55138 circuits only.

TYPICAL CHARACTERISTICS†

RECEIVER TRANSFER CHARACTERISTICS

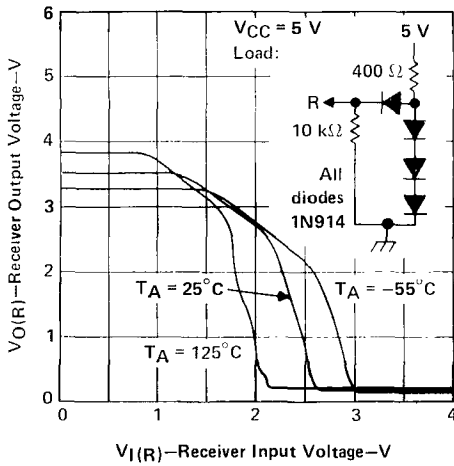


FIGURE 7

RECEIVER TRANSFER CHARACTERISTICS

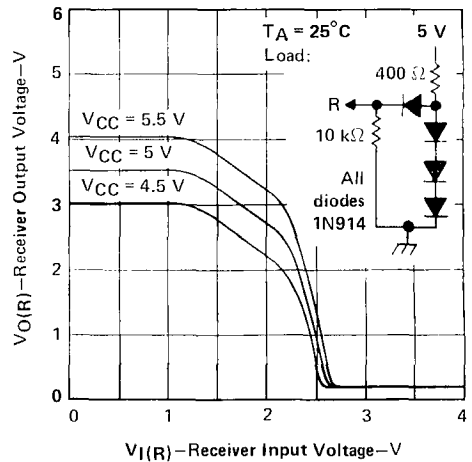


FIGURE 8

HIGH-LEVEL OUTPUT VOLTAGE
 vs
 OUTPUT CURRENT (RECEIVER)

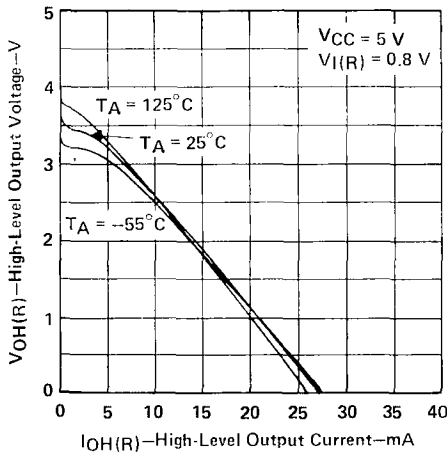


FIGURE 9

HIGH-LEVEL OUTPUT VOLTAGE
 vs
 OUTPUT CURRENT (RECEIVER)

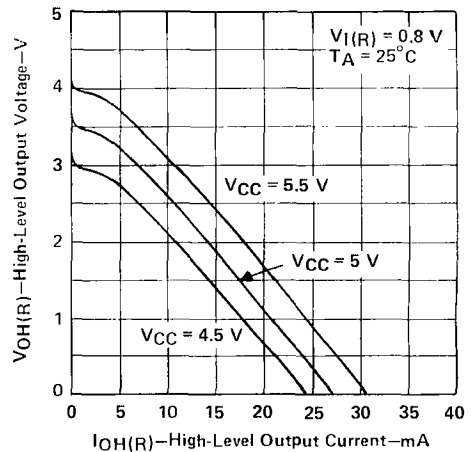


FIGURE 10

†Data for temperatures below 0°C and above 70°C is applicable to SN55138 circuits only.

TYPICAL CHARACTERISTICS†

**LOW-LEVEL OUTPUT VOLTAGE
vs
OUTPUT CURRENT (RECEIVER)**

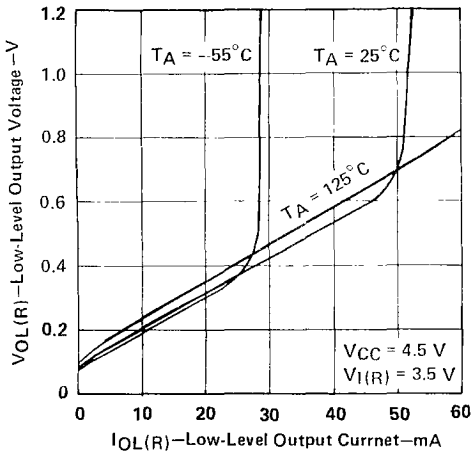


FIGURE 11

**LOW-LEVEL OUTPUT VOLTAGE
vs
OUTPUT CURRENT (DRIVER OUTPUT)**

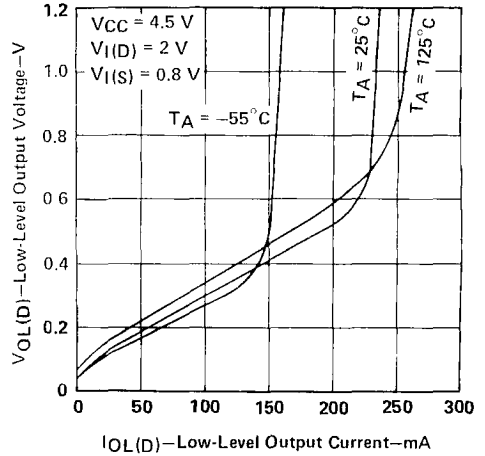


FIGURE 12

**RECEIVER INPUT CURRENT
vs
RECEIVER INPUT VOLTAGE**

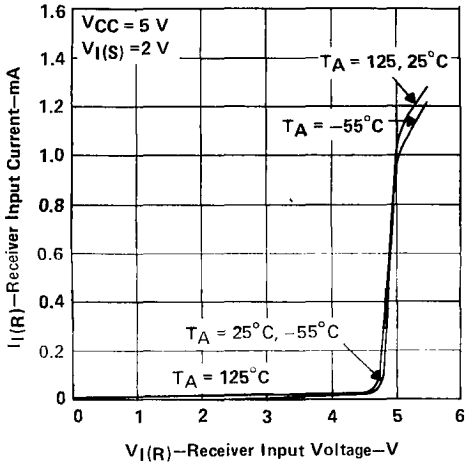


FIGURE 13

**RECEIVER INPUT CURRENT
vs
RECEIVER INPUT VOLTAGE**

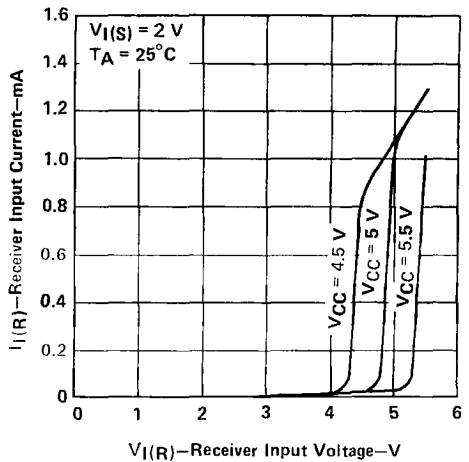


FIGURE 14

†Data for temperatures below 0°C and above 70°C is applicable to SN55138 circuits only.

TYPICAL CHARACTERISTICS†

SUPPLY CURRENT
 vs
 SUPPLY VOLTAGE
 (ALL DRIVER OUTPUTS LOW)

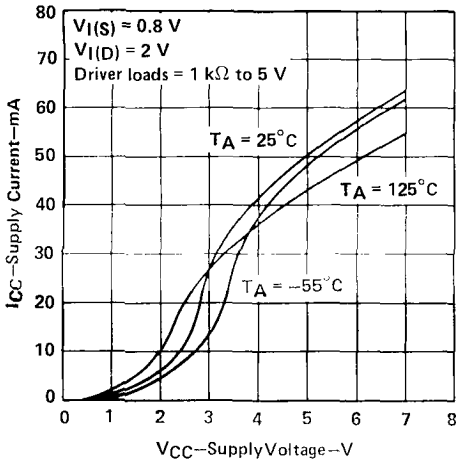


FIGURE 15

SUPPLY CURRENT
 vs
 SUPPLY VOLTAGE

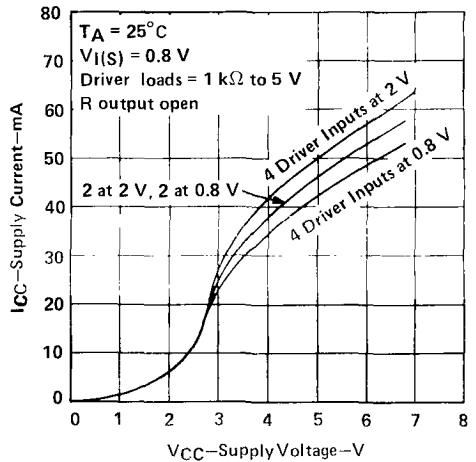


FIGURE 16

PROPAGATION DELAY TIMES
 vs
 FREE-AIR TEMPERATURE

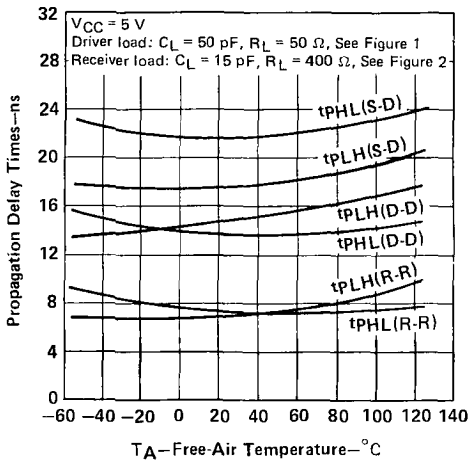


FIGURE 17

PROPAGATION DELAY TIMES
 vs
 SUPPLY VOLTAGE

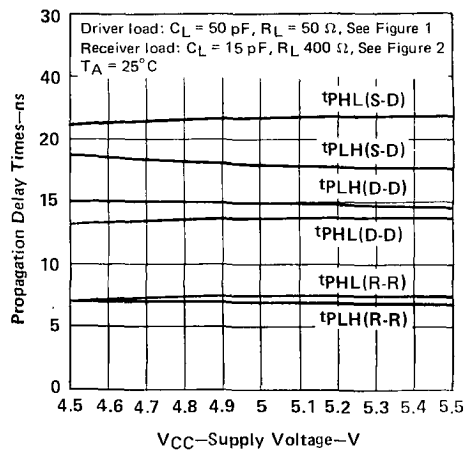


FIGURE 18

†Data for temperatures below 0°C and above 70°C is applicable to SN55138 circuits only.

TYPICAL CHARACTERISTICS

DRIVER PROPAGATION DELAY TIMES
 vs
 LOAD CAPACITANCE

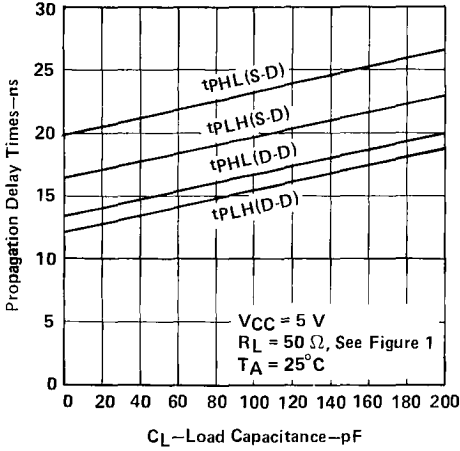


FIGURE 19

RECEIVER PROPAGATION DELAY TIMES
 vs
 LOAD CAPACITANCE

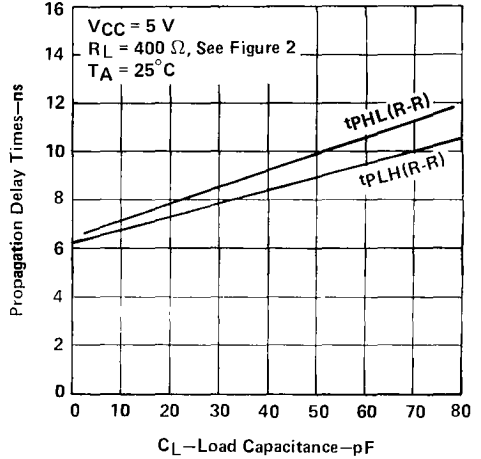
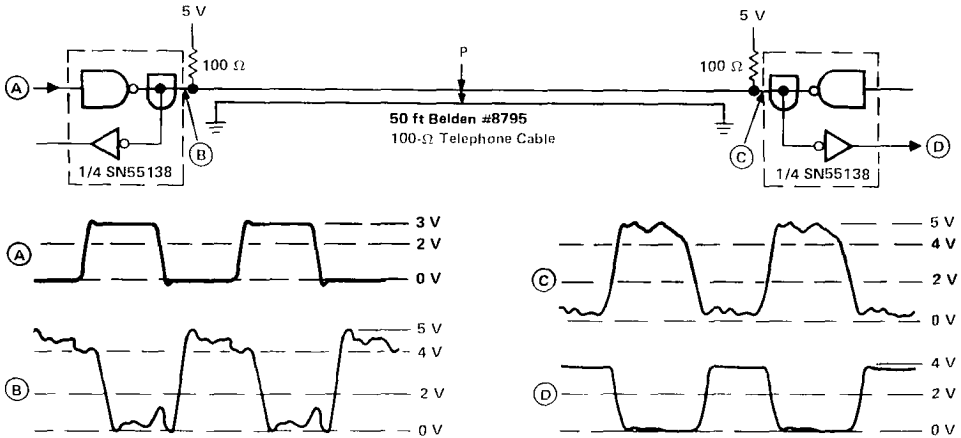


FIGURE 20

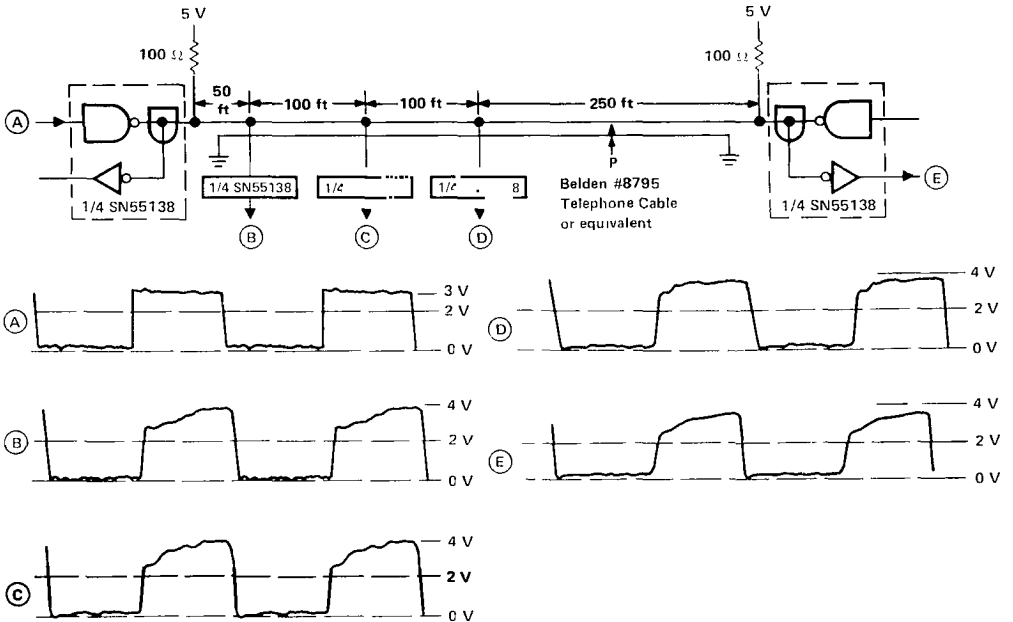
APPLICATION INFORMATION



TYPICAL VOLTAGE WAVEFORMS

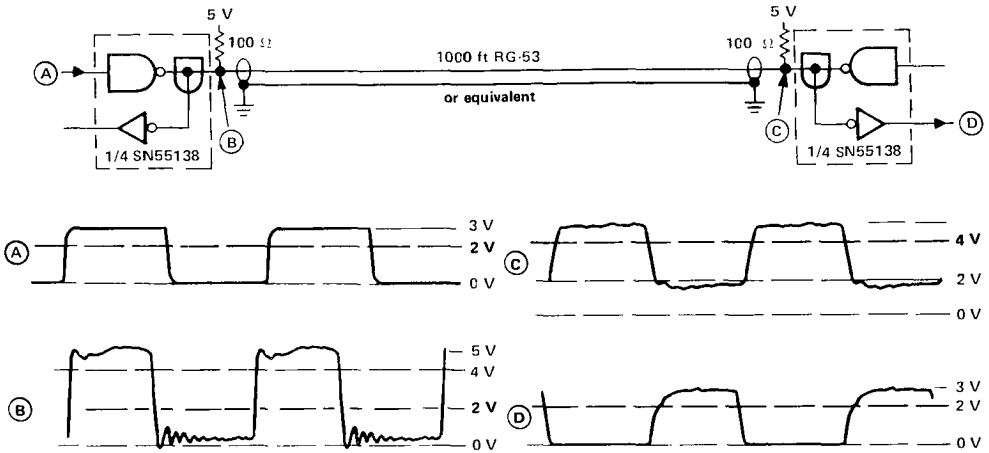
FIGURE 21. POINT-TO-POINT COMMUNICATION OVER 50 FEET OF TWISTED PAIR AT 5 MHz

APPLICATION INFORMATION



TYPICAL VOLTAGE WAVEFORMS

FIGURE 22. PARTY-LINE COMMUNICATION ON 500 FEET OF TWISTED PAIR AT 1 MHz



TYPICAL VOLTAGE WAVEFORMS

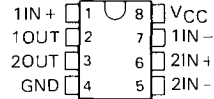
FIGURE 23. POINT-TO-POINT COMMUNICATION OVER 1000 FEET OF COAX AT 1 MHz

SN55157, SN75157 DUAL DIFFERENTIAL LINE RECEIVER

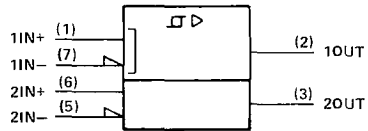
D2300, SEPTEMBER 1980—REVISED SEPTEMBER 1986

- Meets EIA Standards RS-422-A and RS-423-A
- Meets Federal Standards 1020 and 1030
- Operates from Single 5-V Power Supply
- Wide Common-Mode Voltage Range
- High Input Impedance
- TTL-Compatible Outputs
- High-Speed Schottky Circuitry
- 8-Pin Dual-In-Line Package
- Similar to μ A9637AC except for Corner VCC and Ground Pin Positions

SN55157 JG PACKAGE
SN75157 D JG OR P PACKAGE
(TOP VIEW)



logic symbol†



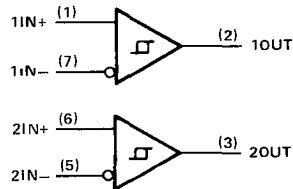
†This symbol is in accordance with ANSI/IEEE Std 91-1984 and IEC Publication 617-12

description

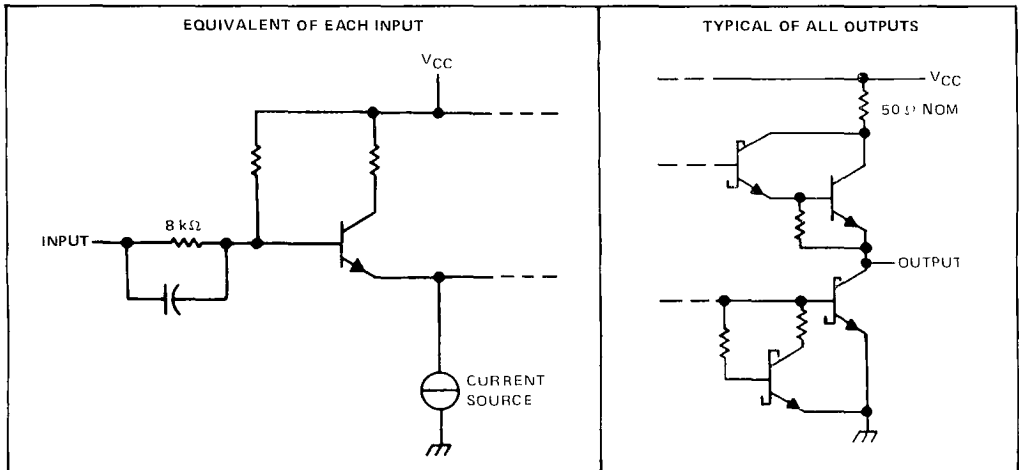
The SN75157 is a dual differential line receiver designed to meet EIA standards RS-422-A and RS-423-A and Federal Standards 1020 and 1030. It utilizes Schottky circuitry and has TTL-compatible outputs. The inputs are compatible with either a single-ended or a differential-line system. The device operates from a single 5-volt power supply and is supplied in an 8-pin dual-in-line package and small outline package.

The SN55157 is characterized over the full military temperature range of -55°C to 125°C . The SN75157 is characterized for operation from 0°C to 70°C .

logic diagram



schematics of inputs and outputs



PRODUCTION DATA documents contain information current as of publication date. Products conform to specifications per the terms of Texas Instruments standard warranty. Production processing does not necessarily include testing of all parameters.

TEXAS
INSTRUMENTS

POST OFFICE BOX 655303 DALLAS TEXAS 75265

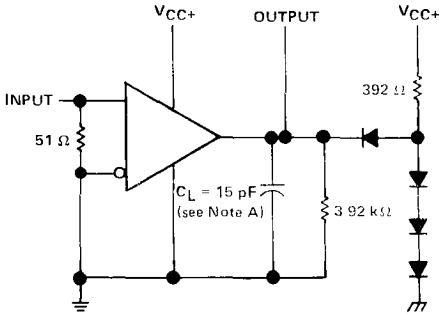
Copyright © 1980 Texas Instruments Incorporated

SN55157, SN75157 DUAL DIFFERENTIAL LINE RECEIVER

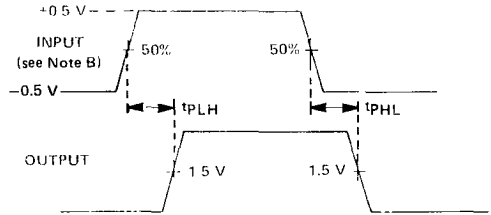
switching characteristics, $V_{CC} = 5\text{ V}$, $T_A = 25^\circ\text{C}$

PARAMETER	TEST CONDITION	MIN	TYP	MAX	UNIT
t_{PLH} Propagation delay time, low-to-high-level output	$C_L = 15\text{ pF}$, See Figure 1		15	25	ns
t_{PHL} Propagation delay time, high-to-low-level output			13	25	ns

PARAMETER MEASUREMENT INFORMATION



TEST CIRCUIT



VOLTAGE WAVEFORMS

NOTES: A. C_L includes probe and jig capacitance.

B. The input pulse is supplied by a generator having the following characteristics: $t_r \leq 5\text{ ns}$, $t_f \leq 5\text{ ns}$, $PRR \leq 5\text{ MHz}$, duty cycle = 50%.

FIGURE 1. TRANSITION TIMES

TYPICAL CHARACTERISTICS

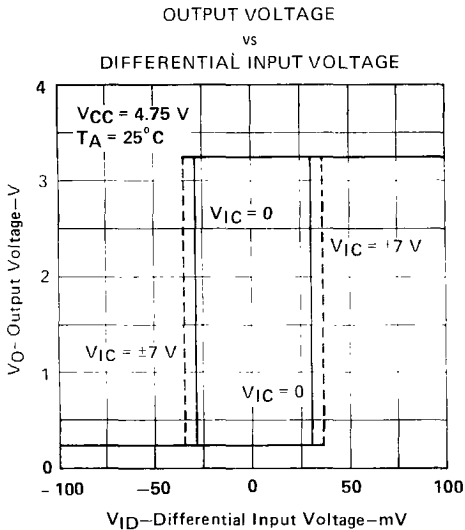


FIGURE 2

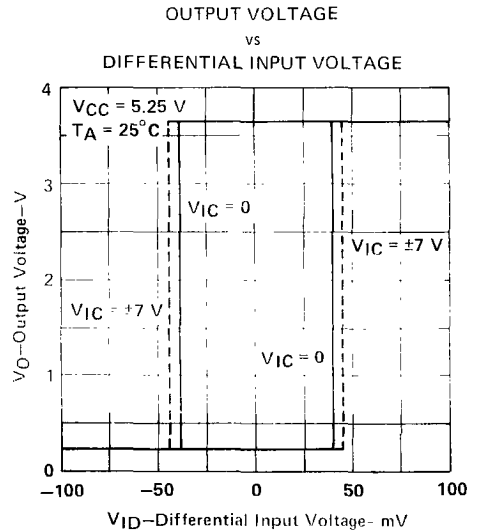


FIGURE 3

TYPICAL CHARACTERISTICS

HIGH-LEVEL OUTPUT VOLTAGE
 vs
 HIGH-LEVEL OUTPUT CURRENT

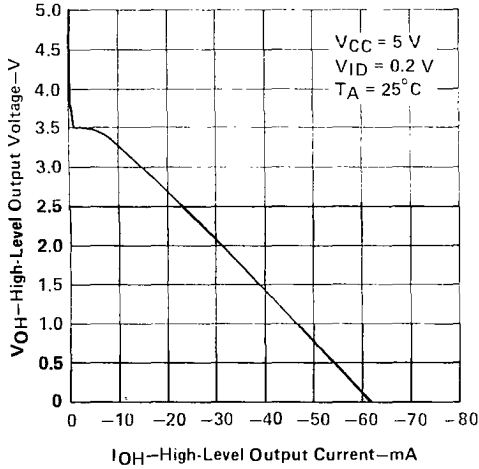


FIGURE 4

LOW-LEVEL OUTPUT VOLTAGE
 vs
 LOW-LEVEL OUTPUT CURRENT

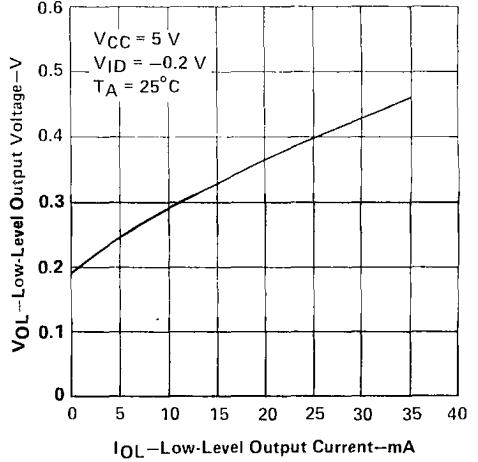


FIGURE 5

SUPPLY CURRENT
 vs
 SUPPLY VOLTAGE

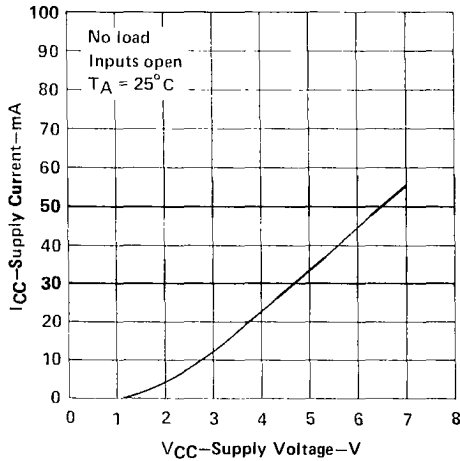


FIGURE 6

TYPICAL APPLICATION DATA

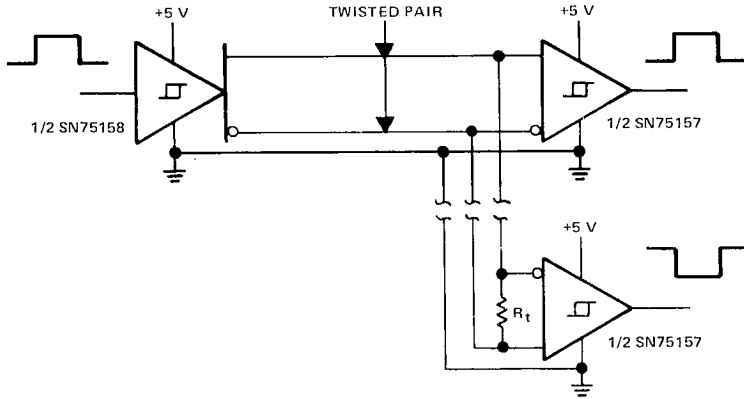


FIGURE 7. RS-422-A SYSTEM APPLICATIONS

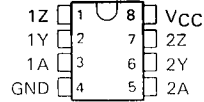


SN55158, SN75158 DUAL DIFFERENTIAL LINE DRIVERS

D2292, JANUARY 1977—REVISED SEPTEMBER 1986

- Meets EIA Standard RS-422-A
- Single 5-V Supply
- Balanced-Line Operation
- TTL-Compatible
- High Output Impedance in Power-Off Condition
- High-Current Active-Pullup Outputs
- Short-Circuit Protection
- Dual Channels
- Input Clamp Diodes

SN55158 . . . JG PACKAGE
SN75158 . . . D, JG, OR P PACKAGE
(TOP VIEW)

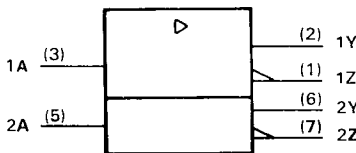


description

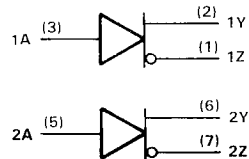
The SN55158 and SN75158 are dual complementary-output line drivers designed to satisfy the requirements set by the EIA Standard RS-422-A interface specifications. The outputs provide complementary signals with high-current capability for driving balanced lines, such as twisted pair, at normal line impedance without high power dissipation. The output stages are TTL totem-pole outputs providing a high-impedance state in the power-off condition.

The SN55158 is characterized for operation over the full military temperature range of -55°C to 125°C . The SN75158 is characterized for operation from 0°C to 70°C .

logic symbol†



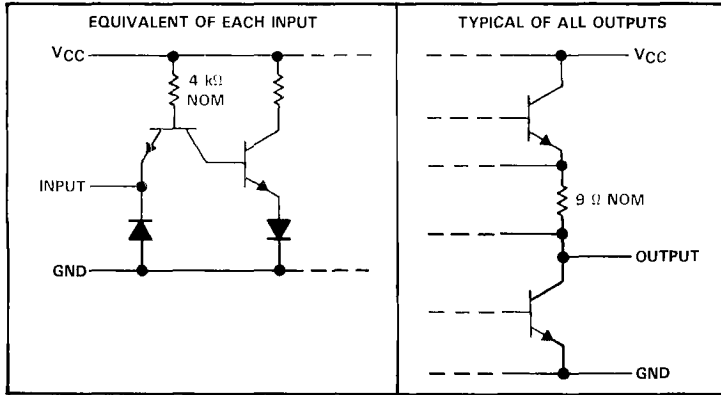
logic diagram (positive logic)



†This symbol is in accordance with ANSI/IEEE Std 91-1984 and IEC Publication 617-12.

SN55158, SN75158 DUAL DIFFERENTIAL LINE DRIVERS

schematics of inputs and outputs



absolute maximum ratings over operating free-air temperature range (unless otherwise noted)

Supply voltage, V_{CC} (see Note 1)	7 V
Input voltage	5.5 V
Continuous total power dissipation (see Note 2)	See Dissipation Rating Table
Operating free-air temperature range: SN55158	-55°C to 125°C
SN75158	0°C to 70°C
Storage temperature range	-65°C to 150°C
Lead temperature 1,6 mm (1/16 inch) from case for 60 seconds: JG package	300°C
Lead temperature 1,6 mm (1/16 inch) from case for 10 seconds: D or P package	260°C

- NOTES: 1. All voltage values except differential output voltage V_{OD} are with respect to network ground terminal. V_{OD} is at the Y output with respect to the Z output.
 2. In the JG package, SN55158 chips are alloy mounted and SN75158 chips are glass mounted.

DISSIPATION RATING TABLE

PACKAGE	$T_A \leq 25^\circ\text{C}$	DERATING FACTOR	$T_A = 70^\circ\text{C}$	$T_A = 125^\circ\text{C}$
	POWER RATING	ABOVE $T_A = 25^\circ\text{C}$	POWER RATING	POWER RATING
D	725 mW	5.8 mW/°C	464 mW	N/A
JG (SN55158)	1050 mW	8.4 mW/°C	672 mW	210 mW
JG (SN75158)	825 mW	6.6 mW/°C	528 mW	N/A
P	1000 mW	8.0 mW/°C	640 mW	N/A

recommended operating conditions

	SN55158			SN75158			UNIT	
	MIN	TYP	MAX	MIN	NOM	MAX		
Supply voltage, V_{CC}	4.5	5	5.5	4.5	5	5.25	V	
High-level input voltage, V_{IH}	2			2			V	
Low-level input voltage, V_{IL}	0.8			0.8			V	
High-level output current, I_{OH}	-40			-40			mA	
Low-level output current, I_{OL}	40			40			mA	
Operating free-air temperature, T_A	-55			0			70	°C

SN55158, SN75158 DUAL DIFFERENTIAL LINE DRIVERS

electrical characteristics over operating free-air temperature range (unless otherwise noted)

PARAMETER	TEST CONDITIONS†	SN55158		SN75158		UNIT
		MIN	MAX	MIN	MAX	
V _{IK}	Input clamp voltage	V _{CC} = MIN, I _I = -12 mA		-0.9	-1.5	V
V _{OH}	High-level output voltage	V _{CC} = MIN, V _{IH} = 2 V, I _{OH} = -40 mA		2	3.0	V
V _{OL}	Low-level output voltage	V _{CC} = MIN, V _{IH} = 2 V, I _{OL} = 40 mA		0.2	0.4	V
V _{OD1} - V _{OD2}	Differential output voltage	V _{CC} = MAX, I _O = 0		3.5 2V _{OD2}		V
V _{OO2} - V _{OC}	Differential output voltage	V _{CC} = MIN		2	3.0	V
Δ V _{OD}	Change in magnitude of differential output voltage‡	V _{CC} = MIN		±0.02	±0.4	V
V _{OC}	Common-mode output voltage§	V _{CC} = MAX		1.9	3	V
		V _{CC} = MIN		1.4	3	V
Δ V _{OC}	Change in magnitude of common-mode output voltage§	V _{CC} = MIN or MAX		±0.01	±0.4	V
I _O	Output current with power off	V _{CC} = 0, V _O = 6 V		0.1	100	μA
		V _O = -0.25 V		-0.1	-100	
		V _O = -0.25 to 6 V		±100		
I _I	Input current at maximum input voltage	V _{CC} = MAX, V _I = 5.5 V		1		mA
I _{IH}	High-level input current	V _{CC} = MAX, V _I = 2.4 V		40		μA
I _{IL}	Low-level input current	V _{CC} = MAX, V _I = 0.4 V		-1 -1.6		mA
I _{OS}	Short-circuit output current#	V _{CC} = MAX		-40 -90 -150	-40 -90 -150	mA
I _{CC}	Supply current (both drivers)	V _{CC} = MAX, No load, Inputs grounded, T _A = 25°C		37	50	mA

† For conditions shown as MIN or MAX, use the appropriate value specified under recommended operating conditions.

‡ All typical values are at V_{CC} = 5 V and T_A = 25°C except for V_{OC}, for which V_{CC} is as stated under test conditions.

§ Δ|V_{OD}| and Δ|V_{OC}| are the changes in magnitudes of V_{OD} and V_{OC}, respectively, that occur when the input is changed from a high level to a low level.

In EIA Standard RS-422-A, V_{OC}, which is the average of the two output voltages with respect to ground, is called output offset voltage, V_{OS}.

Only one output should be shorted at a time, and duration of the short-circuit should not exceed one second.

switching characteristics, V_{CC} = 5 V, T_A = 25°C

PARAMETER	TEST CONDITIONS	SN55158		SN75158		UNIT
		MIN	MAX	MIN	MAX	
t _{PLH}	Propagation delay time, low-to-high-level output	16	25	16	25	ns
t _{PHL}	Propagation delay time, high-to-low-level output	10	20	10	20	ns
t _{PLH}	Propagation delay time, low-to-high-level output	13	20	13	20	ns
t _{PHL}	Propagation delay time, high-to-low-level output	9	15	9	15	ns
t _{TLH}	Transition time, low-to-high-level output	4	20	4	20	ns
t _{THL}	Transition time, high-to-low-level output	4	20	4	20	ns
	Overshoot factor	10		10		%

PARAMETER MEASUREMENT INFORMATION

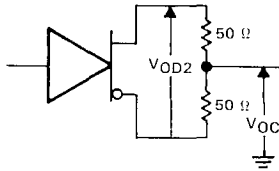
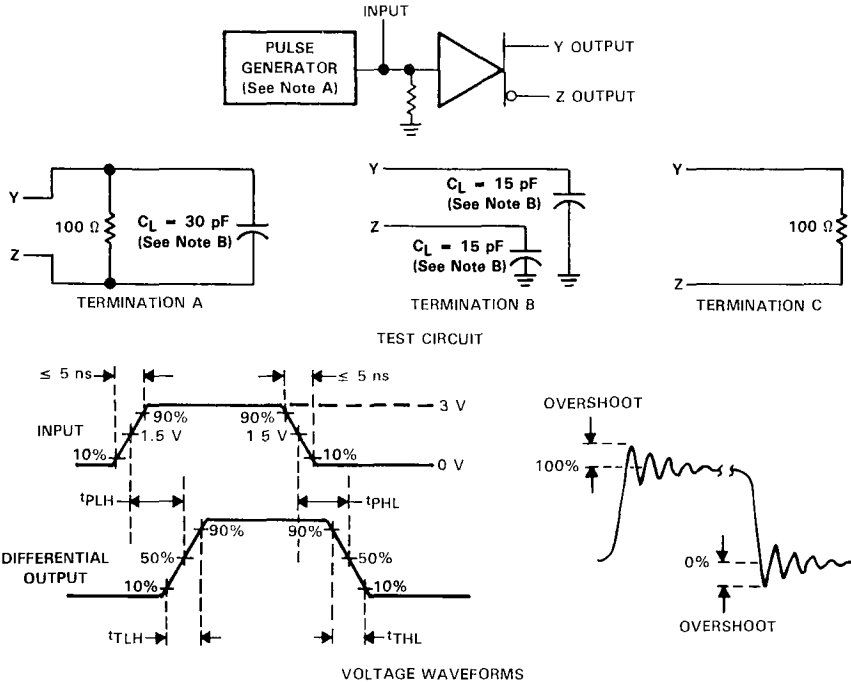


FIGURE 1. DIFFERENTIAL AND COMMON-MODE OUTPUT VOLTAGES



NOTES: A. The pulse generator has the following characteristics: $Z_0 = 50 \Omega$, $t_w = 25 \text{ ns}$, $\text{PRR} \leq 10 \text{ MHz}$.
 B. C_L includes probe and jig capacitance.

FIGURE 2. SWITCHING TIMES

TYPICAL CHARACTERISTICS†

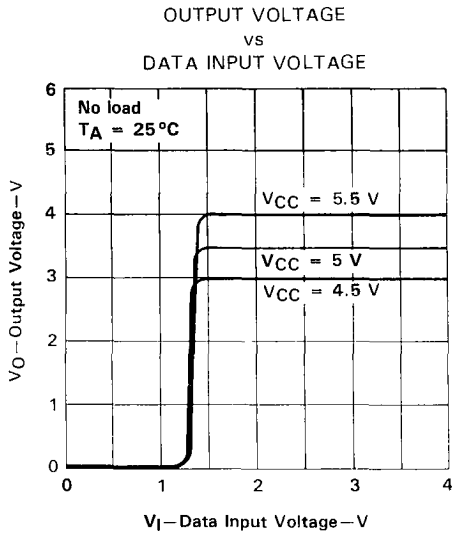


FIGURE 3

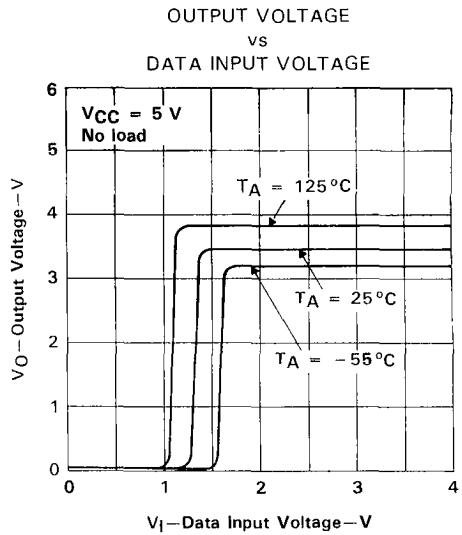


FIGURE 4

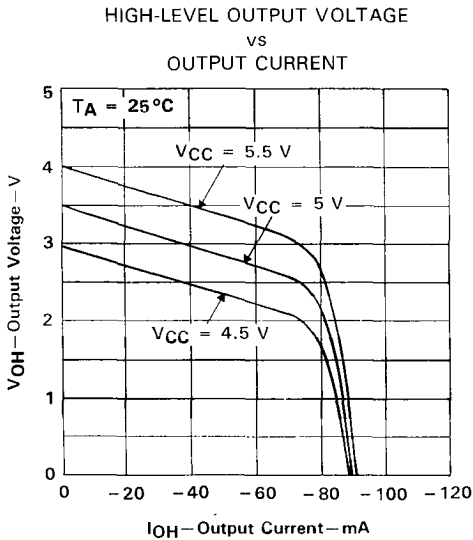


FIGURE 5

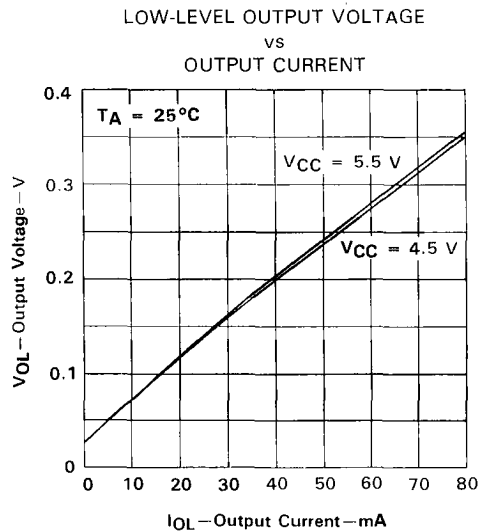


FIGURE 6

†Data for temperatures below 0°C and above 70°C are applicable to SN55158 circuits only.

TYPICAL CHARACTERISTICS†

OUTPUT VOLTAGE
 vs
 FREE-AIR TEMPERATURE

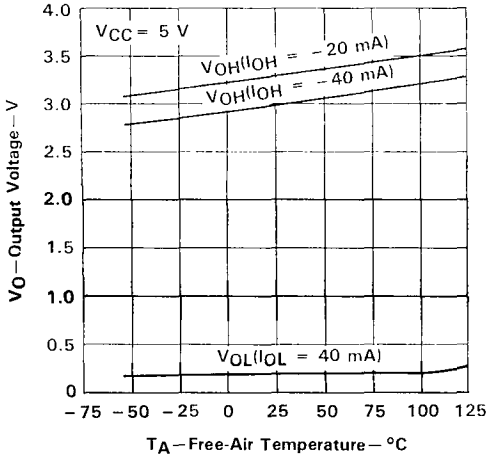


FIGURE 7

PROPAGATION DELAY TIMES
 vs
 FREE-AIR TEMPERATURE

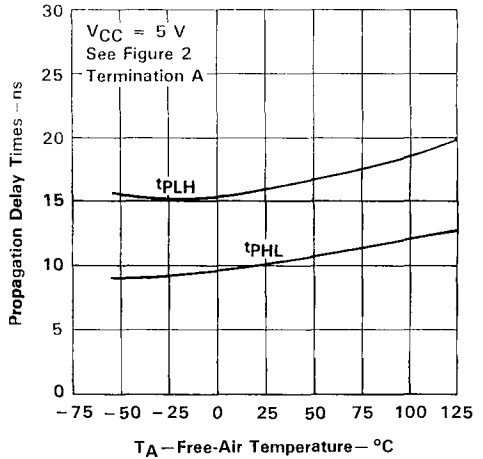


FIGURE 8

SUPPLY CURRENT
 (BOTH DRIVERS)
 vs
 SUPPLY VOLTAGE

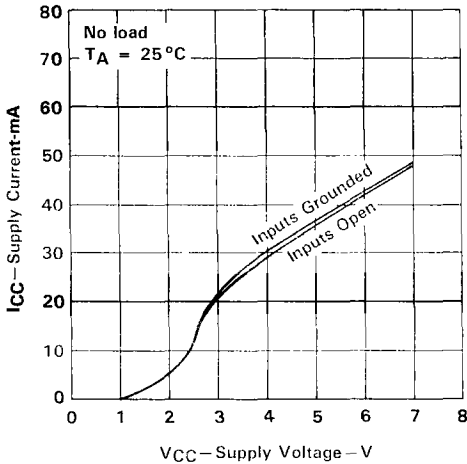


FIGURE 9

SUPPLY CURRENT
 (BOTH DRIVERS)
 vs
 FREE-AIR TEMPERATURE

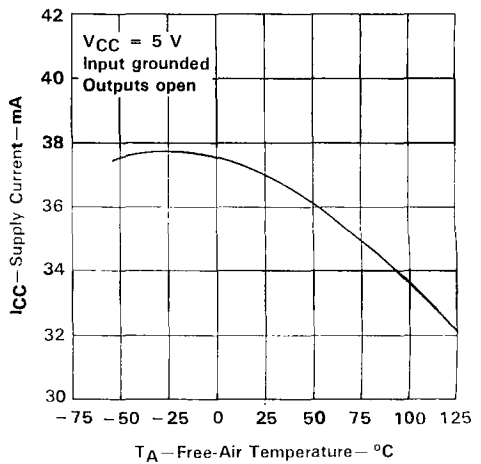


FIGURE 10

†Data for temperatures below 0 °C and above 70 °C are applicable to SN55158 circuits only.

TYPICAL CHARACTERISTICS

SUPPLY CURRENT
(BOTH DRIVERS)
vs
FREQUENCY

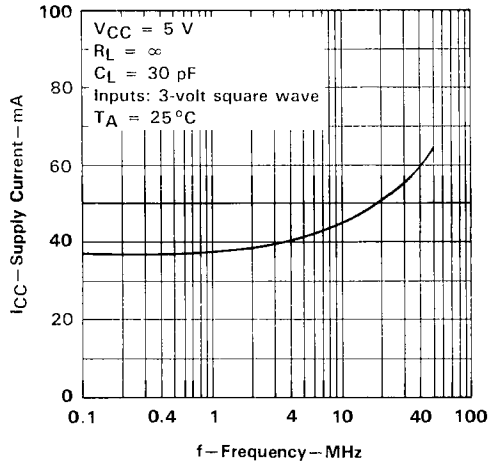


FIGURE 11

SN55173 QUADRUPLE DIFFERENTIAL LINE RECEIVER

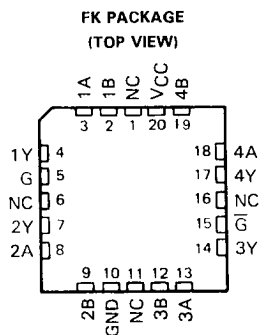
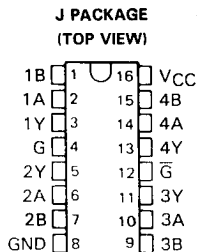
DECEMBER 1988

- Meets EIA Standards RS-422-A, RS-423-A, and RS-485
- Meets CCITT Recommendations V.10, V.11, X.26, and X.27
- Designed for Multipoint Bus Transmission on Long Bus Lines in Noisy Environments
- 3-State Outputs
- Common-Mode Input Voltage Range . . . -12 to 12 V
- Input Sensitivity . . . ± 200 mV
- Input Hysteresis . . . 50 mV Typ
- High Input Impedance . . . 12 k Ω Min
- Operates from Single 5-Volt Supply
- Low Power Requirements
- Plug-In Replacement for AM26LS32

description.

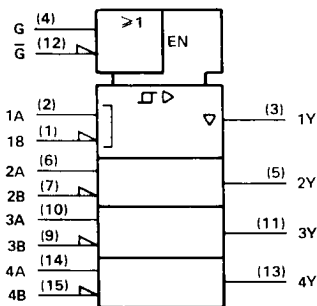
The SN55173 is a monolithic quadruple differential line receiver with three-state outputs. It is designed to meet the requirements of EIA Standards RS-422-A, RS-423-A, and RS-485 and several CCITT recommendations. The device is optimized for balanced multipoint bus transmission at rates up to 10 megabits per second. The four receivers have an ORed pair of enables in common. Either G being high or \bar{G} being low enables all of the receivers. The device features high input impedance, input hysteresis for increased noise immunity, and input sensitivity of ± 200 mV over a common-mode input voltage range of -12 to 12 V. The SN55173 is designed for optimum performance when used with the SN55172 or SN55174 quadruple differential line drivers.

The SN55173 is characterized for operation from -55°C to 125°C.



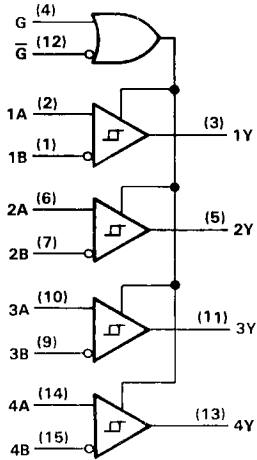
NC—No internal connection

logic symbol



SN55173 QUADRUPLE DIFFERENTIAL LINE RECEIVER

logic diagram (positive logic)

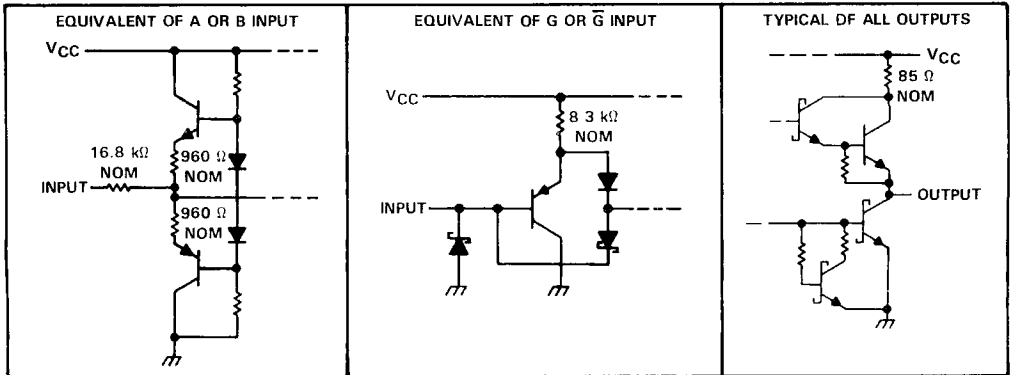


FUNCTION TABLE (EACH RECEIVER)

DIFFERENTIAL A - B	ENABLES		OUTPUT Y
	G	\bar{G}	
$V_{ID} \geq 0.2 \text{ V}$	H	X	H
$V_{ID} \geq 0.2 \text{ V}$	X	L	H
$-0.2 \text{ V} < V_{ID} < 0.2 \text{ V}$	H	X	?
$-0.2 \text{ V} < V_{ID} < 0.2 \text{ V}$	X	L	?
$V_{ID} \leq -0.2 \text{ V}$	H	X	L
$V_{ID} \leq -0.2 \text{ V}$	X	L	L
X	L	H	Z

H = high level
L = low level
X = irrelevant
? = indeterminate
Z = high-impedance (off)

schematics of inputs and outputs



SN55173
QUADRUPLE DIFFERENTIAL LINE RECEIVER

absolute maximum ratings over operating free-air temperature range (unless otherwise noted)

Supply voltage, V_{CC} (see Note 1)	7 V
Input voltage, A or B inputs	± 25 V
Differential input voltage (see Note 2)	± 25 V
Enable input voltage	7 V
Low-level output current	50 mA
Continuous total dissipation at (or below) 25°C free-air temperature (see Note 3)	1375 mW
Operating free-air temperature range	-55°C to 125°C
Storage temperature range	65°C to 150°C
Case temperature for 60 seconds: FK package	260°C
Lead temperature 1,6 mm (1/16 inch) from case for 60 seconds	300°C

- NOTES: 1. All voltage values, except differential input voltage, are with respect to network ground terminal.
 2. Differential-input voltage is measured at the noninverting input with respect to the corresponding inverting input.
 3. For operation above 25°C free-air temperature, derate to 275 mW at 125°C at the rate of 11.0 mW/°C.

recommended operating conditions

	MIN	NOM	MAX	UNIT
Supply voltage, V_{CC}	4.5	5	5.5	V
Non-mode input voltage, V_{IC}			± 12	V
Differential input voltage, V_{ID}			± 12	V
High-level input voltage, V_{IH}	2			V
Low-level input voltage, V_{IL}				V
High-level output current, I_{OH}				μ A
Low-level output current, I_{OL}			16	mA
Operating free-air temperature, T_A	-55		125	°C



SN55173 QUADRUPLE DIFFERENTIAL LINE RECEIVER

electrical characteristics over recommended ranges of common-mode input voltage, supply voltage, and operating free-air temperature (unless otherwise noted)

PARAMETER	TEST CONDITIONS	MIN	TYP [†]	MAX	UNIT
V_{TH} Differential-input high-threshold voltage	$V_O = 2.7\text{ V}$, $I_O = -0.4\text{ mA}$			0.2	V
V_{TL} Differential-input low-threshold voltage	$V_O = 0.5\text{ V}$, $I_O = 16\text{ mA}$	-0.2 [‡]			V
V_{hys} Hysteresis [§]			50		mV
V_{IK} Enable-input clamp voltage	$I_I = -18\text{ mA}$			-1.5	V
V_{OH} High-level output voltage	$V_{ID} = 200\text{ mV}$, $I_{OH} = -400\text{ }\mu\text{A}$		2.5		V
V_{OL} Low-level output voltage	$V_{ID} = -200\text{ mV}$, $I_{OL} = 8\text{ mA}$ $I_{OL} = 16\text{ mA}$			0.45	V
				0.5	
I_{OZ} High-impedance-state output current	$V_O = 0.4\text{ V to }2.4\text{ V}$			± 20	μA
I_I Line input current	Other input at 0 V, See Note 4		$V_I = 12\text{ V}$	1	mA
			$V_I = -7\text{ V}$	-0.8	
I_{IH} High-level enable-input current	$V_{IH} = 2.7\text{ V}$			20	μA
I_{IL} Low-level enable-input current	$V_{IL} = 0.4\text{ V}$			-100	μA
I_{OS} Short-circuit output current [¶]				-15	mA
I_{CC} Supply current	Outputs disabled			70	mA

[†]All typical values are at $V_{CC} = 5\text{ V}$, $T_A = 25^\circ\text{C}$.

[‡]The algebraic convention, in which the less positive (more negative) limit is designated minimum, is used in this data sheet for threshold voltage levels only.

[§]Hysteresis is the difference between the positive-going input threshold voltage, V_{T+} , and the negative-going input threshold voltage, V_{T-} . See Figure 4.

[¶]Not more than one output should be shorted at a time and the duration of the short-circuit should not exceed one second.

NOTE 4: Refer to EIA Standard RS-422-A and RS-423-A for exact conditions.

switching characteristics, $V_{CC} = 5\text{ V}$, $T_A = 25^\circ\text{C}$

PARAMETER	TEST CONDITIONS	MIN	TYP	MAX	UNIT
t_{PLH} Propagation delay time, low-to-high-level output	$V_{ID} = -1.5\text{ V to }1.5\text{ V}$, $C_L = 15\text{ pF}$,		20	35	ns
t_{PHL} Propagation delay time, high-to-low-level output	See Figure 1		22	35	
t_{PZH} Output enable time to high level	$C_L = 15\text{ pF}$, See Figure 2		17	22	ns
t_{PZL} Output enable time to low level	$C_L = 15\text{ pF}$, See Figure 3		20	25	ns
t_{PHZ} Output disable time from high level	$C_L = 5\text{ pF}$, See Figure 2		21	30	ns
t_{PLZ} Output disable time from low level	$C_L = 5\text{ pF}$, See Figure 3		30	40	ns

PARAMETER MEASUREMENT INFORMATION

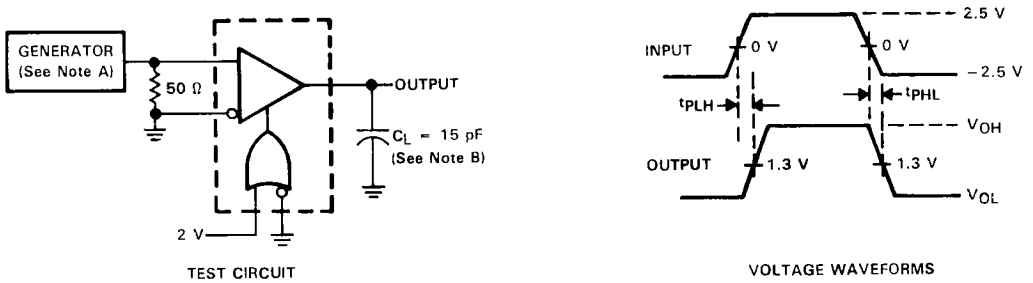


FIGURE 1. t_{PLH} , t_{PHL}

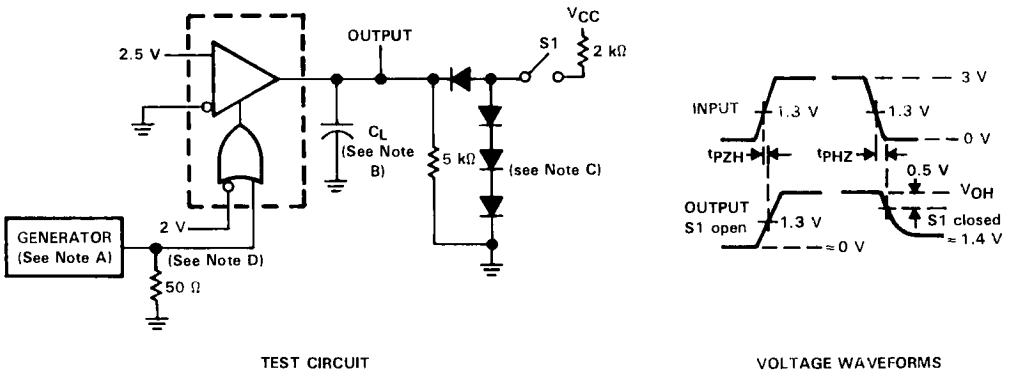
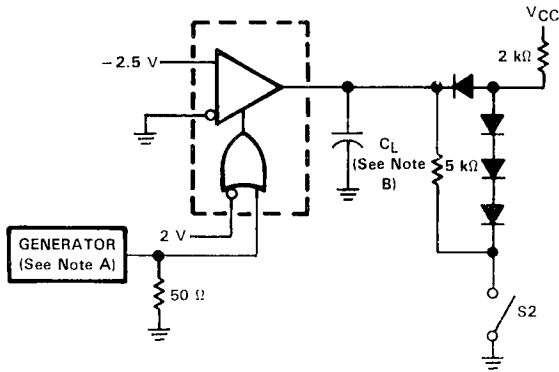


FIGURE 2. t_{PHZ} , t_{PZH}

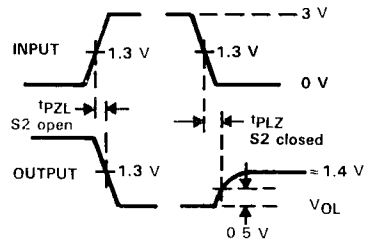
- NOTES: A. The input pulse is supplied by a generator having the following characteristics: $PRR \leq 1$ MHz, duty cycle = 50%, $t_r \leq 6$ ns, $t_f \leq 6$ ns, $Z_{out} = 50 \Omega$.
 B. C_L includes probe and jig capacitance.
 C. All diodes are 1N916 or equivalent.
 D. To test the active-low enable \overline{G} , ground G and apply an inverted input waveform to \overline{G} .

**SN55173
QUADRUPLE DIFFERENTIAL LINE RECEIVER**

PARAMETER MEASUREMENT INFORMATION



TEST CIRCUIT



VOLTAGE WAVEFORMS

FIGURE 3. t_{pZL} , t_{pLZ}

- NOTES: A. The input pulse is supplied by a generator having the following characteristics: PRR \leq 1 MHz, duty cycle = 50%, $t_r \leq$ 6 ns, $t_f \leq$ 6 ns, $Z_{out} = 50 \Omega$.
 B. C_L includes probe and jig capacitance.
 C. All diodes are 1N916 or equivalent.
 D. To test the active-low enable \bar{G} , ground G and apply an inverted input waveform to \bar{G} .

TYPICAL CHARACTERISTICS

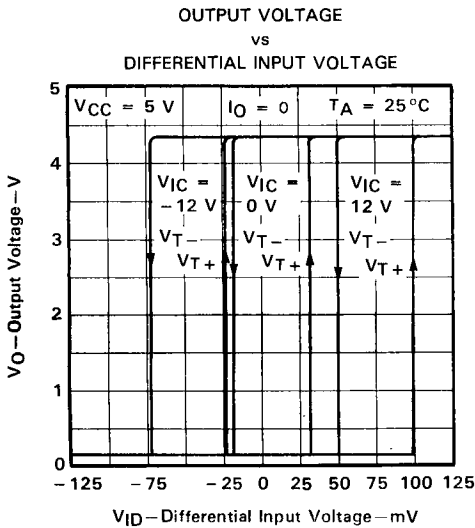


FIGURE 4

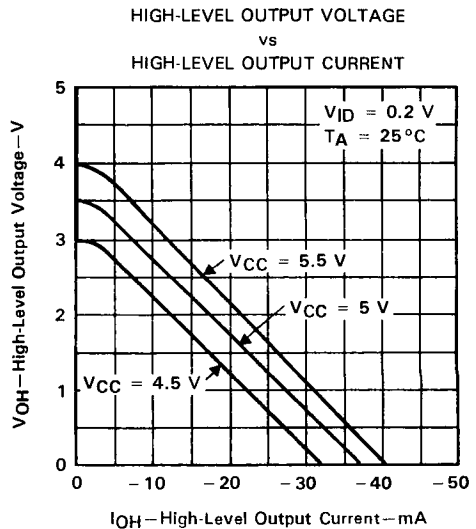


FIGURE 5

TYPICAL CHARACTERISTICS

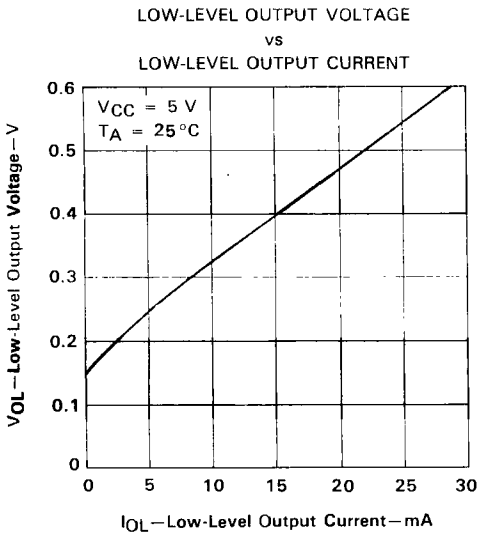


FIGURE 6

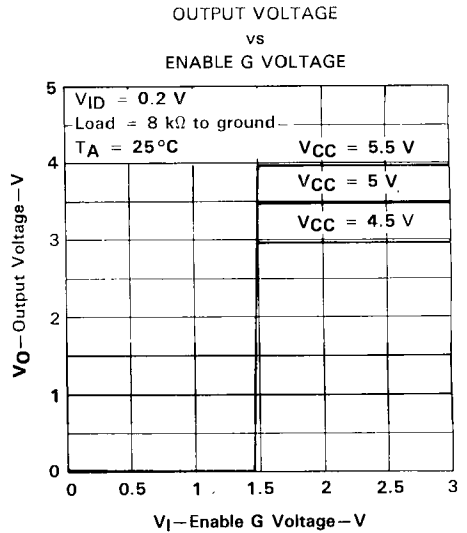


FIGURE 7

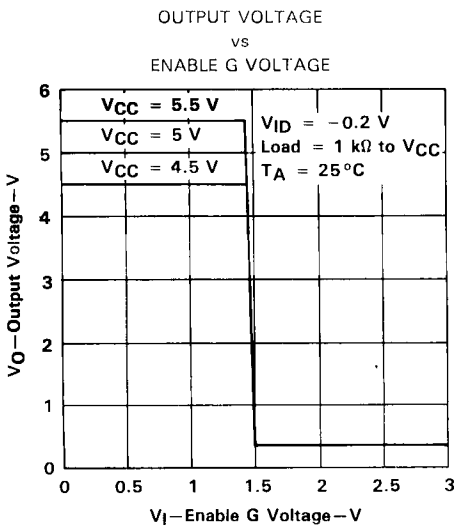


FIGURE 8

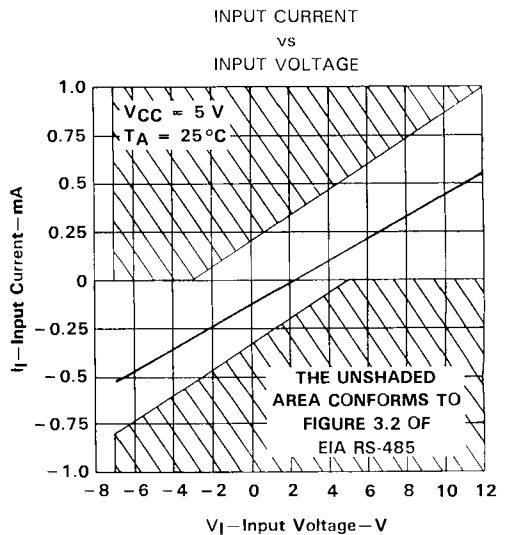


FIGURE 9

SN55182, SN75182 DUAL DIFFERENTIAL LINE RECEIVERS

D1292, OCTOBER 1972—REVISED SEPTEMBER 1986

- Single 5-V Supply
- Differential Line Operation
- Dual Channels
- TTL Compatibility
- ± 15 V Common-Mode Input Voltage Range
- ± 15 V Differential Input Voltage Range
- Individual Channel Strobes
- Built-In Optional Line-Termination Resistor
- Individual Frequency Response Controls
- Designed for Use With Dual Differential Drivers SN55183 and SN75183
- Designed to Be Interchangeable With National Semiconductor DS7820A and DS8820A

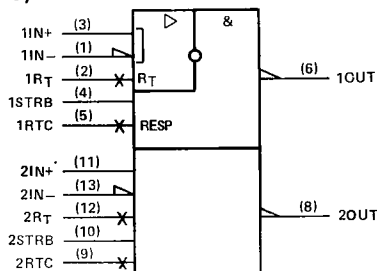
description

The SN55182 and SN75182 dual differential line receivers are designed to sense small differential signals in the presence of large common-mode noise. These devices give TTL-compatible output signals as a function of the polarity of the differential input voltage. The frequency response of each channel may be easily controlled by a single external capacitor to provide immunity to differential noise spikes. The output goes to a high level when the inputs are open-circuited. A strobe input is provided which, when in the low level, disables the receiver and forces the output to a high level.

The receiver is of monolithic single-chip construction, and both halves of the dual circuits use common power supply and ground terminals.

The SN55182 is characterized for operation over the full military temperature range of -55°C to 125°C . The SN75182 is characterized for operation from 0°C to 70°C .

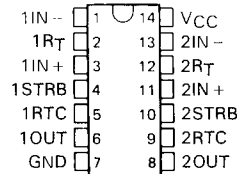
logic symbol†



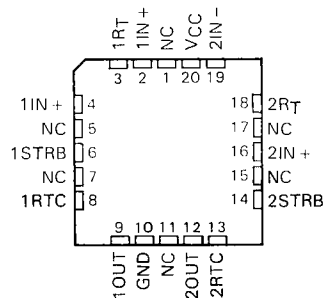
†This symbol is in accordance with ANSI/IEEE Std 91-1984 and IEC Publication 617-12.

Pin numbers shown are for D, J and N packages.

SN55182 . . . J PACKAGE
SN75182 . . . D, J, OR N PACKAGE
(TOP VIEW)

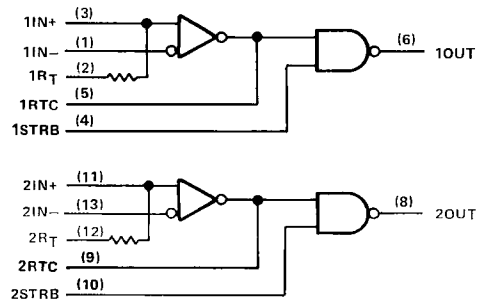


SN55182 . . . FK PACKAGE
(TOP VIEW)



NC No internal connection

logic diagram (positive logic)



PRODUCTION DATA documents contain information on manufacturing and production data. Products conform to the specifications in the terms of Texas Instruments' standard warranty. Production processing does not necessarily include testing of all parameters.

TEXAS
INSTRUMENTS

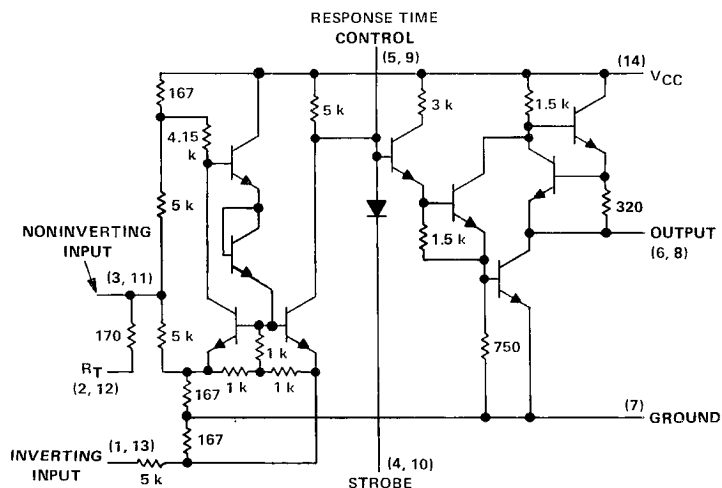
Copyright © 1986, Texas Instruments Incorporated

POST OFFICE BOX 655303 • DALLAS, TEXAS 75285

2-207

SN55182, SN75182 DUAL DIFFERENTIAL LINE RECEIVERS

schematic (each receiver)



FUNCTION TABLE

STROBE	DIFF INPUT	OUTPUT
L	X	H
H	H	H
H	L	L

H = $V_I \geq V_{IH}$ min or V_{ID} more positive than V_{TH} max
 L = $V_I \leq V_{IL}$ max or V_{ID} more negative than V_{TL} max
 X = irrelevant

Resistor values shown are nominal and in ohms.

absolute maximum ratings over operating free-air temperature range (unless otherwise noted)

	SN55182	SN75182	UNIT
Supply voltage, V_{CC1} (see Note 1)	8	8	V
Common-mode input voltage	± 20	± 20	V
Differential input voltage (see Note 2)	± 20	± 20	V
Strobe input voltage	8	8	V
Output sink current	50	50	mA
Continuous total power dissipation (see Note 3)	See Dissipation Rating Table		
Operating free-air temperature range	-55 to 125	0 to 70	$^{\circ}\text{C}$
Storage temperature range	-65 to 150	-65 to 150	$^{\circ}\text{C}$
Lead temperature 1.6 mm (1/16 inch) from case for 10 seconds: D or N package			260 $^{\circ}\text{C}$
Case temperature for 60 seconds: FK package			260 $^{\circ}\text{C}$
Lead temperature 1.6 mm (1/16 inch) from case for 60 seconds: J package	300	300	$^{\circ}\text{C}$

- NOTES: 1. All voltage values, except differential voltages, are with respect to network ground terminal.
 2. Differential voltage values are at the noninverting terminal with respect to the inverting terminal.
 3. In the FK and J packages, SN55182 chips are alloy mounted and SN75182 chips are glass mounted.

DISSIPATION RATING TABLE

PACKAGE	$T_A \leq 25^{\circ}\text{C}$	DERATING FACTOR		$T_A = 70^{\circ}\text{C}$	$T_A = 125^{\circ}\text{C}$
	POWER RATING	ABOVE $T_A = 25^{\circ}\text{C}$		POWER RATING	POWER RATING
D	950 mW	7.6 mW/ $^{\circ}\text{C}$		608 mW	—
FK	1375 mW	11.0 mW/ $^{\circ}\text{C}$		880 mW	275 mW
J (SN55182)	1375 mW	11.0 mW/ $^{\circ}\text{C}$		880 mW	275 mW
J (SN75182)	1025 mW	8.2 mW/ $^{\circ}\text{C}$		656 mW	—
N	1150 mW	9.2 mW/ $^{\circ}\text{C}$		736 mW	—



SN55182, SN75182 DUAL DIFFERENTIAL LINE RECEIVERS

recommended operating conditions

	SN55182			SN75182			UNIT
	MIN	NOM	MAX	MIN	NOM	MAX	
Supply voltage, V_{CC}	4.5	5	5.5	4.5	5	5.5	V
Common-mode input voltage, V_{IC}			± 15			± 15	V
High-level strobe input voltage, $V_{IH(strobe)}$	2.1		5.5	2.1		5.5	V
Low-level strobe input voltage, $V_{IL(strobe)}$	0		0.9	0		0.9	V
High-level output current, I_{QH}			-400			-400	μ A
Low-level output current, I_{QL}			16			16	mA
Operating free-air temperature, T_A	-55		125	0		70	$^{\circ}$ C

electrical characteristics over recommended ranges of V_{CC} , V_{IC} , and operating free-air temperature (unless otherwise noted)

PARAMETER		TEST CONDITIONS [†]		MIN	TYP [‡]	MAX	UNIT	
V_{TH}	Differential input high-threshold voltage	$V_O = 2.5$ V,	$V_{IC} = -3$ V to 3 V			0.5	V	
		$I_{OH} = -400$ μ A	$V_{IC} = -15$ V to 15 V			1		
V_{TL}	Differential input low-threshold voltage	$V_O = 0.4$ V,	$V_{IC} = -3$ V to 3 V			-0.5	V	
		$I_{OL} = 16$ mA	$V_{IC} = -15$ V to 15 V			-1		
V_{OH}	High-level output voltage	$V_{ID} = 1$ V,	$V_{strobe} = 2.1$ V,	2.5	4.2	5.5	V	
		$I_{OH} = -400$ μ A	$V_{strobe} = 0.4$ V,	2.5	4.2	5.5		
V_{OL}	Low-level output voltage	$V_{ID} = -1$ V,	$V_{strobe} = 2.1$ V,		0.25	0.4	V	
		$I_{OL} = 16$ mA						
I_i	Input current	Inverting input	$V_{IC} = 15$ V		3	4.2	mA	
			$V_{IC} = 0$		0	-0.5		
		Noninverting input	$V_{IC} = -15$ V		-3	-4.2		
			$V_{IC} = 15$ V		5	7		
				$V_{IC} = 0$		-1	-1.4	mA
				$V_{IC} = -15$ V		-7	-9.8	
I_{SH}	High-level strobe current		$V_{strobe} = 5.5$ V			5	μ A	
I_{SL}	Low-level strobe current		$V_{strobe} = 0$		-1	-1.4	mA	
r_i	Input resistance	Inverting input		3.6	5		k Ω	
		Noninverting input		1.8	2.5		k Ω	
R_T	Line terminating resistance	$T_A = 25$ $^{\circ}$ C		120	170	250	Ω	
I_{OS}	Short-circuit output current	$V_{CC} = 5.5$ V,	$V_O = 0$	-2.8	-4.5	-6.7	mA	
I_{CC}	Supply current (average per receiver)	$V_{IC} = 15$ V,	$V_{ID} = -1$ V		4.2	6	mA	
		$V_{IC} = 0$,	$V_{ID} = -0.5$ V		6.8	10.2		
		$V_{IC} = -15$ V,	$V_{ID} = -1$ V		9.4	14		

[†]Unless otherwise noted, $V_{strobe} \geq 2.1$ V or open.

[‡]All typical values are at $V_{CC} = 5$ V, $V_{IC} = 0$, and $T_A = 25$ $^{\circ}$ C.

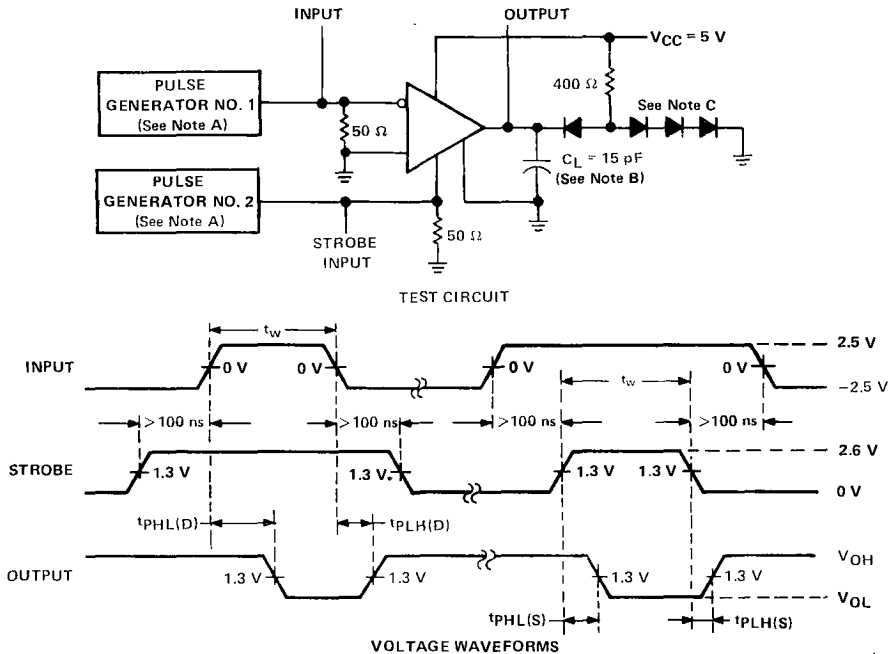
SN55182, SN75182 DUAL DIFFERENTIAL LINE RECEIVERS

switching characteristics, $V_{CC} = 5\text{ V}$, $T_A = 25^\circ\text{C}$

PARAMETER	TEST CONDITIONS	TYP	MAX	UNIT
$t_{PLH}(D)$	Propagation delay time, low-to-high-level output from differential input	18	40	ns
$t_{PHL}(D)$	Propagation delay time, high-to-low-level output from differential input	31	45	ns
$t_{PLH}(S)$	Propagation delay time, low-to-high-level output from strobe input	9	30	ns
$t_{PHL}(S)$	Propagation delay time, high-to-low-level output from strobe input	15	25	ns

$R_L = 400\ \Omega$,
 $C_L = 15\ \text{pF}$,
See Figure 1

PARAMETER MEASUREMENT INFORMATION



- NOTES: A. The pulse generators have the following characteristics: $Z_0 = 50\ \Omega$, $t_r \leq 10\ \text{ns}$, $t_f \leq 10\ \text{ns}$, $t_w = 0.5 \pm 0.1\ \mu\text{s}$, $\text{PRR} \leq 1\ \text{MHz}$.
 B. C_L includes probe and jig capacitance.
 C. All diodes are 1N3064 or equivalent.

FIGURE 1. PROPAGATION DELAY TIMES

TYPICAL CHARACTERISTICS †

DIFFERENTIAL INPUT THRESHOLD VOLTAGE
 vs
 SUPPLY VOLTAGE

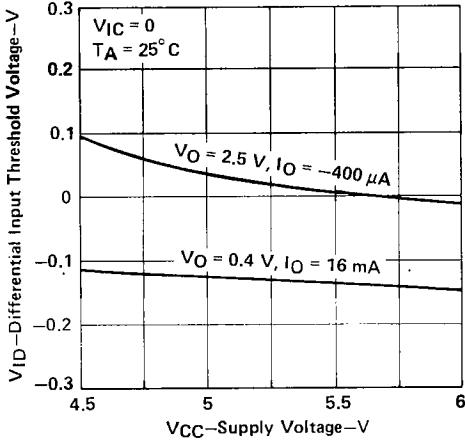


FIGURE 2

DIFFERENTIAL INPUT THRESHOLD VOLTAGE
 vs
 COMMON-MODE VOLTAGE

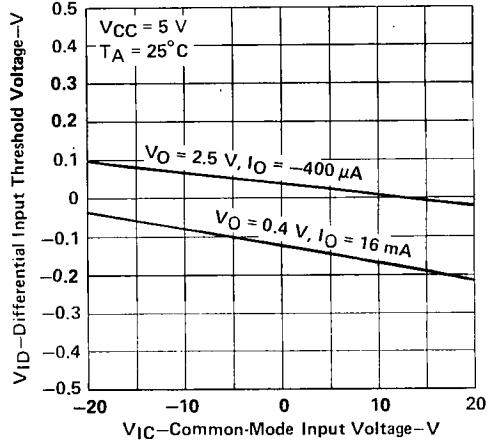


FIGURE 3

DIFFERENTIAL INPUT THRESHOLD VOLTAGE
 vs
 FREE-AIR TEMPERATURE

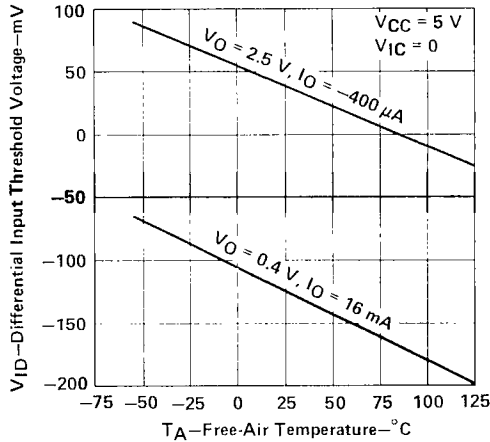


FIGURE 4

†Data for temperatures below 0°C and above 70°C are applicable to SN55182 circuits only.

SN55182, SN75182
DUAL DIFFERENTIAL LINE RECEIVERS

TYPICAL CHARACTERISTICS †

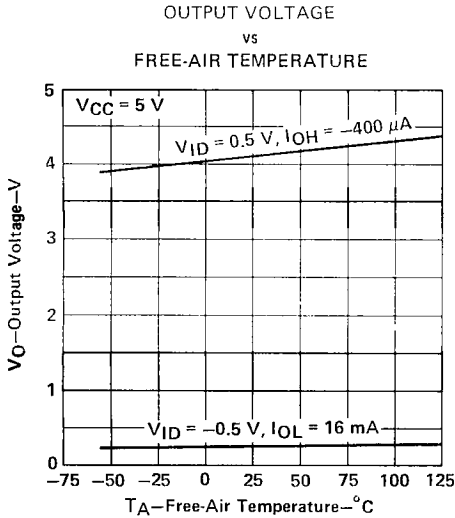


FIGURE 5

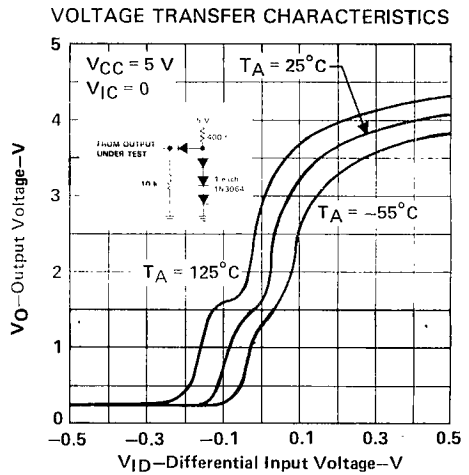


FIGURE 6

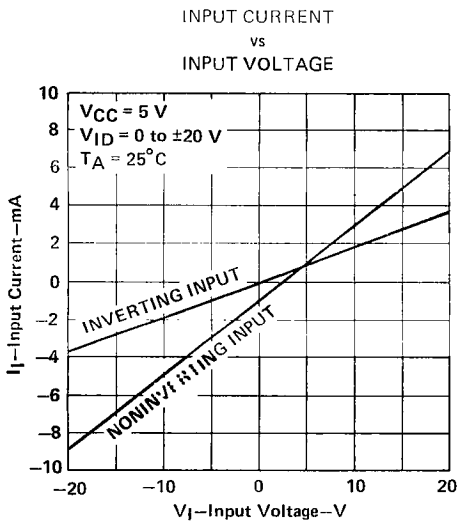


FIGURE 7

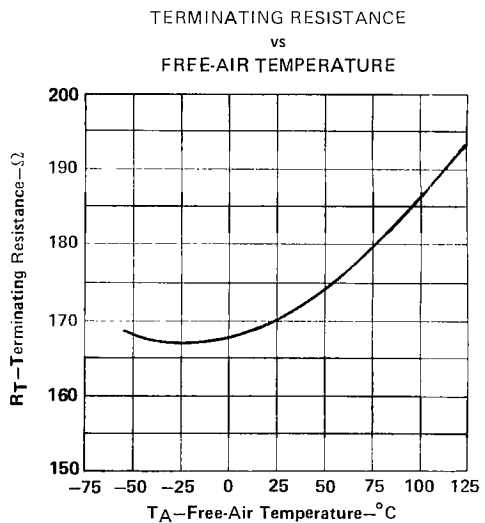


FIGURE 8

†Data for temperatures below 0°C and above 70°C are applicable to SN55182 circuits only.

TYPICAL CHARACTERISTICS†

SUPPLY CURRENT
 (AVERAGE PER RECEIVER)
 vs
 COMMON-MODE INPUT VOLTAGE

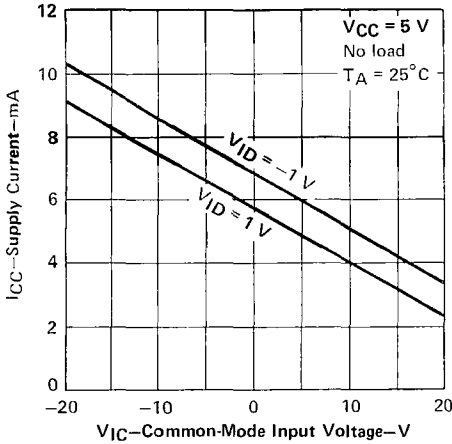


FIGURE 9

POWER DISSIPATION
 (AVERAGE PER RECEIVER)
 vs
 COMMON-MODE INPUT VOLTAGE

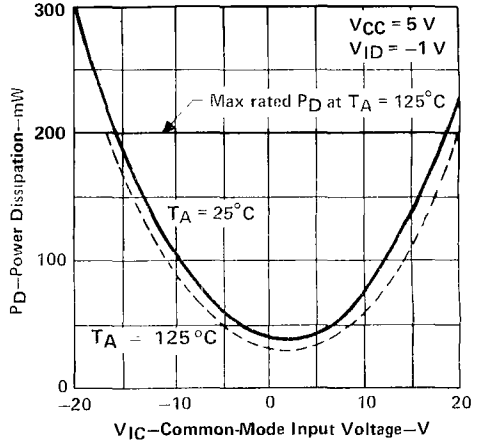


FIGURE 10

NOISE PULSE DURATION
 vs
 RESPONSE TIME-CONTROL CAPACITANCE

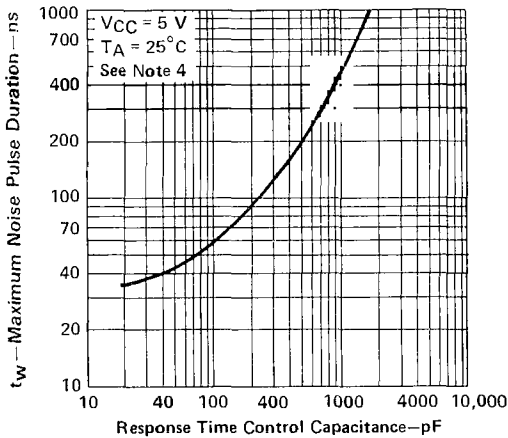
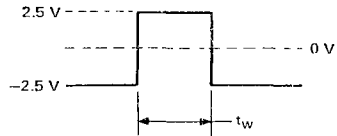


FIGURE 11



INPUT PULSE FOR FIGURE 11

†Data for temperatures below $0^\circ C$ and above $70^\circ C$ are applicable to SN55182 circuits only.

NOTE 4: Figure 11 shows the maximum duration of the illustrated pulse that can be applied differentially without the output changing from the low to high level.

SN55182, SN75182
DUAL DIFFERENTIAL LINE RECEIVERS

TYPICAL CHARACTERISTICS†

PROPAGATION DELAY TIMES FROM
DIFFERENTIAL INPUT
vs
FREE-AIR TEMPERATURE

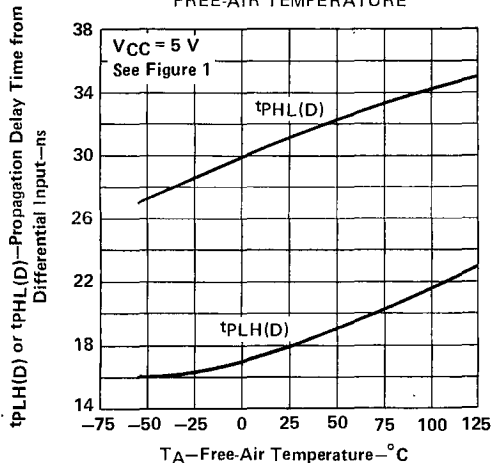


FIGURE 12

PROPAGATION DELAY TIMES FROM STROBE INPUT
vs
FREE-AIR TEMPERATURE

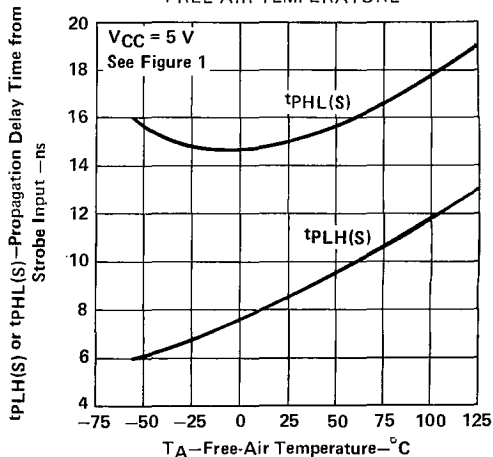
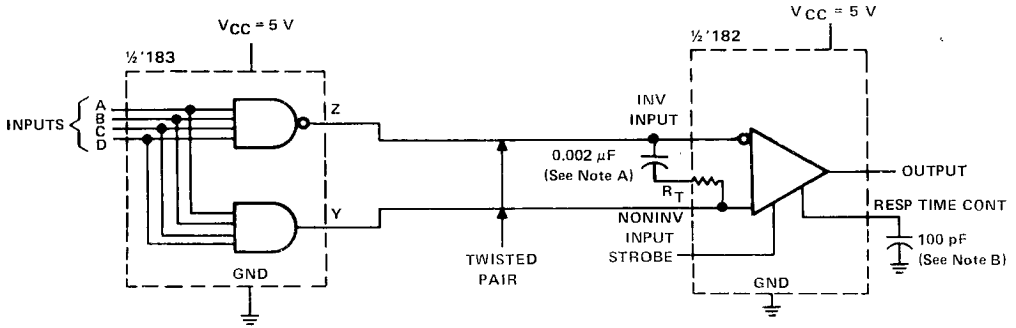


FIGURE 13

†Data for temperatures below 0°C and above 70°C are applicable to SN55182 circuits only.

APPLICATION INFORMATION



NOTES: A. When the inputs are open circuited, the output will be high. A capacitor may be used for dc isolation of the line-terminating resistor. At the frequency of operation, the impedance of the capacitor should be relatively small.

Example: let $f = 5 \text{ MHz}$
 $C = 0.002 \mu\text{F}$

$$Z_C = \frac{1}{2\pi f C} = \frac{1}{2\pi (5 \times 10^6) (0.002 \times 10^{-6})}$$

$$Z_C = 16 \Omega$$

B. Use of a capacitor to control response time is optional.

FIGURE 14. TRANSMISSION OF DIGITAL DATA OVER TWISTED-PAIR LINE

SN55183, SN75183 DUAL DIFFERENTIAL LINE DRIVERS

D1292, OCTOBER 1972—REVISED SEPTEMBER 1986

- Single 5-V Supply
- Differential Line Operation
- Dual Channels
- TTL Compatibility
- Short-Circuit Protection of Outputs
- Output Clamp Diodes to Terminate Line Transients
- High-Current Outputs
- Quad Inputs
- Single-Ended or Differential AND/NAND Outputs
- Designed for Use With Dual Differential Drivers SN55182 and SN75182
- Designed to Be Interchangeable With National Semiconductor DS7830 and DS8830

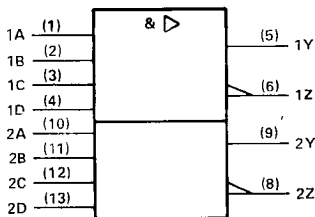
description

The SN55183 and SN75183 dual differential line drivers are designed to provide differential output signals with high-current capability for driving balanced lines, such as twisted-pair, at normal line impedances without high power dissipation. These devices may be used as TTL expander/phase splitters, as the output stages are similar to TTL totem-pole outputs.

The driver is of monolithic single-chip construction, and both halves of the dual circuits use common power supply and ground terminals.

The SN55183 is characterized for operation over the full military temperature range of -55°C to 125°C . The SN75183 is characterized for operation from 0°C to 70°C .

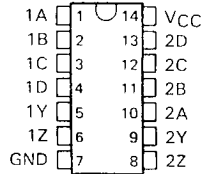
logic symbol†



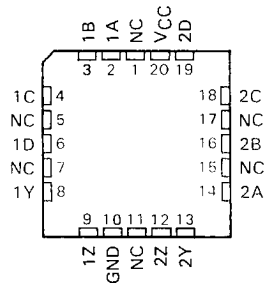
† This symbol is in accordance with ANSI/IEEE Std 91-1984 and IEC Publication 617-12.

Pin numbers shown are for D, J, and N packages.

SN55183 . . . J PACKAGE
SN75183 . . . D, J, OR N PACKAGE
(TOP VIEW)

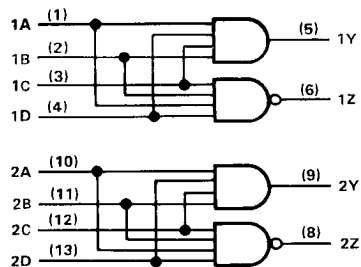


SN55183 . . . FK PACKAGE
(TOP VIEW)



NC—No internal connection

logic diagram (positive logic)



positive logic: $Y = \overline{ABC}$
 $Z = \overline{ABCD}$

PRODUCTION DATA documents contain information current as of publication date. Products conform to specifications per the terms of Texas Instruments standard warranty. Production processing does not necessarily include testing of all parameters.

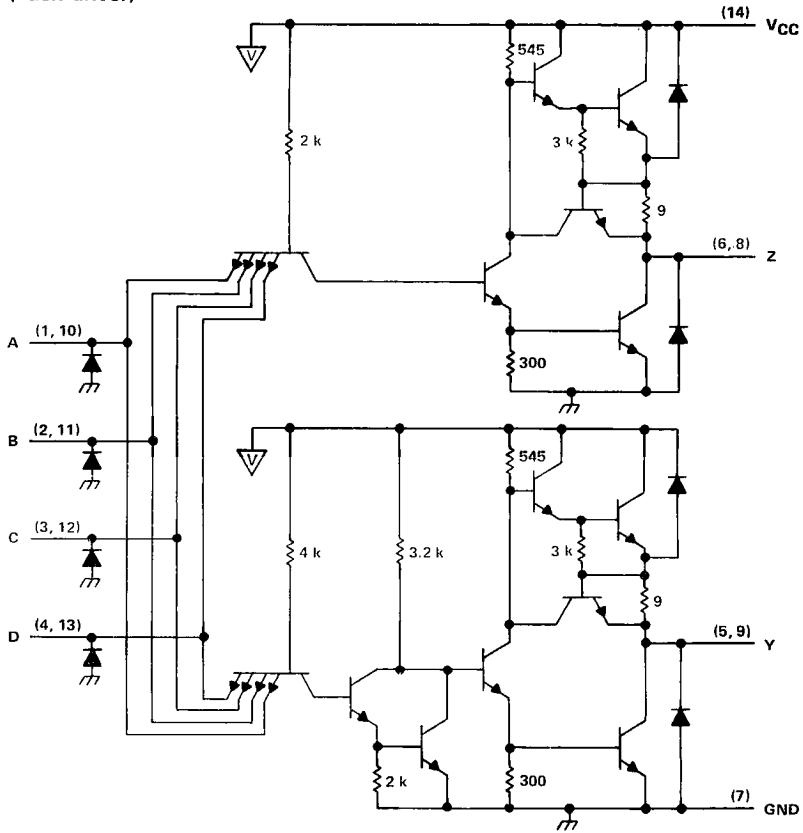
TEXAS
INSTRUMENTS

POST OFFICE BOX 655303 • DALLAS, TEXAS 75265

Copyright © 1986, Texas Instruments Incorporated

**SN55183, SN75183
DUAL DIFFERENTIAL LINE DRIVERS**

schematic (each driver)



Resistor values shown are nominal and in ohms.

SN55183, SN75183 DUAL DIFFERENTIAL LINE DRIVERS

absolute maximum ratings over operating free-air temperature range (unless otherwise noted)

	SN55183	SN75183	UNIT
Supply voltage, V_{CC} (see Note 1)	7	7	V
Input voltage	5.5	5.5	V
Duration of output short-circuit (see Note 2)	1	1	s
Continuous total power dissipation (see Note 3)	See Dissipation Rating Table		
Operating free-air temperature range	-55 to	0 to 70	°C
Storage temperature range	-65 to 150	-65 to 150	°C
Lead temperature, 1,6 mm (1/16 inch) from case for 10 seconds: D or N package		260	°C
Case temperature for 60 seconds: FK package	260		°C
Lead temperature, 1,6 mm (1/16 inch) from case for 60 seconds: J package	300	300	°C

- NOTES: 1. All voltage values, except differential voltages, are with respect to network ground terminal.
 2. Not more than one output should be shorted to ground at a time.
 3. In the FK and J packages, SN55183 chips are alloy mounted and SN75183 chips are glass mounted.

DISSIPATION RATING TABLE

PACKAGE	$T_A \leq 25^\circ\text{C}$	DERATING FACTOR	$T_A = 70^\circ\text{C}$	$T_A = 125^\circ\text{C}$
	POWER RATING	ABOVE $T_A = 25^\circ\text{C}$	POWER RATING	POWER RATING
D	950 mW	7.6 mW/°C	608 mW	—
FK	1375 mW	11.0 mW/°C	880 mW	275 mW
J (SN55183)	1375 mW	11.0 mW/°C	880 mW	275 mW
J (SN75183)	1025 mW	8.2 mW/°C	656 mW	—
N	1150 mW	9.2 mW/°C	736 mW	—

recommended operating conditions

	SN55183			SN75183			UNIT
	MIN	NOM	MAX	MIN	NOM	MAX	
Supply voltage, V_{CC}	4.5	5	5.5	4.75	5	5.25	V
High-level input voltage, V_{IH}	2			2			V
Low-level input voltage, V_{IL}	0.8			0.8			V
High-level output current, I_{OH}	-40			-40			mA
Low-level output current, I_{OL}	40			40			mA
Operating free-air temperature, T_A	-55		125	0		70	°C

SN55183, SN75183

DUAL DIFFERENTIAL LINE DRIVERS

electrical characteristics over recommended ranges of V_{CC} and operating free-air temperature (unless otherwise noted)

PARAMETER			TEST CONDITIONS		MIN	TYP [†]	MAX	UNIT
V _{OH}	High-level output voltage		Y (ANO) OUTPUT	V _{IH} = 2 V,	I _{OH} = -0.8 mA	2.4		V
		V _{IH} = 2 V,		I _{OH} = -40 mA	1.8	3.3		
V _{OL}	Low-level output voltage		V _{IL} = 0.8 V,	I _{OL} = 32 mA	0.2		V	
			V _{IL} = 0.8 V,	I _{OL} = 40 mA	0.22	0.4		
V _{OH}	High-level output voltage	Z (NANO) OUTPUT	V _{IL} = 0.8 V,	I _{OH} = -0.8 mA	2.4		V	
			V _{IL} = 0.8 V,	I _{OH} = -40 mA	1.8	3.3		
V _{OL}	Low-level output voltage		V _{IH} = 2 V,	I _{OL} = 32 mA	0.2		V	
			V _{IH} = 2 V,	I _{OL} = 40 mA	0.22	0.4		
I _{IH}	High-level input current		V _{IH} = 2.4 V					μA
I _I	Input current at maximum input voltage		V _{IH} = 5.5 V					2 mA
I _{IL}	Low-level input current		V _{IL} = 0.4 V					-4.8 mA
I _{OS}	Short-circuit output current [‡]		V _{CC} = 5 V,	T _A = 125°C	-40	-100	-120	mA
I _{CC}	Supply current (average per driver)		V _{CC} = 5 V,	All inputs at 5 V, No load		10	18	mA

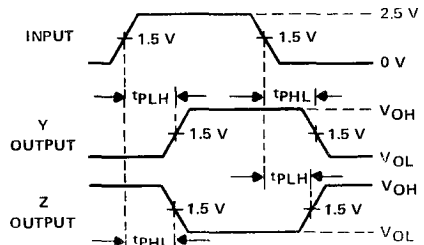
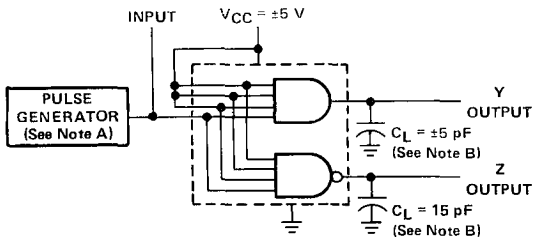
[†]All typical values are at $V_{CC} = 5$ V, $T_A = 25^\circ\text{C}$.

[‡]Not more than one output should be shorted to ground at a time and duration of the short circuit should not exceed one second.

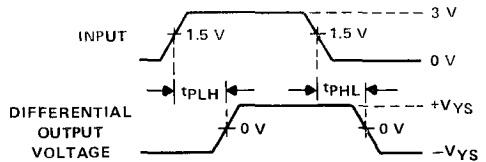
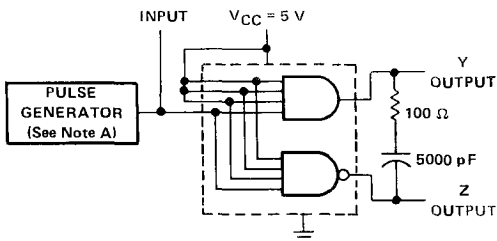
switching characteristics, $V_{CC} = 5$ V, $T_A = 25^\circ\text{C}$

PARAMETER			TEST CONDITIONS	MIN	TYP	MAX	UNIT	
t _{PLH}	Propagation delay time, low-to-high-level Y output			ANO gates	C _L = 15 pF, See Figure 1(a)	8	12	
t _{PHL}	Propagation delay time, high-to-low-level Y output	12	18				ns	
t _{PLH}	Propagation delay time, low-to-high-level Z output	NANO gates	6	12			ns	
t _{PHL}	Propagation delay time, high-to-low-level Z output		6	8			ns	
t _{PLH}	Propagation delay time, low-to-high-level differential output	Y output with respect to Z output	Z _L = 100 Ω in series with 5000 pF, See Figure 1(b)	9		16		ns
t _{PHL}	Propagation delay time high-to-low-level differential output		8	16			ns	

PARAMETER MEASUREMENT INFORMATION



(a) OUTPUTS Y AND Z



(b) DIFFERENTIAL OUTPUT

NOTES: A. The pulse generators have the following characteristics: $Z_0 = 50 \Omega$, $t_r \leq 10 \text{ ns}$, $t_f \leq 10 \text{ ns}$, $t_W = 0.5 \mu\text{s}$, $\text{PRR} \leq 1 \text{ MHz}$.
 B. C_L includes probe and jig capacitance.
 C. Waveforms are monitored on an oscilloscope with $R_{in} \geq 1 \text{ M}\Omega$.

FIGURE 1. PROPAGATION DELAY TIMES

TYPICAL CHARACTERISTICS†

THRESHOLD VOLTAGE
 vs
 FREE-AIR TEMPERATURE

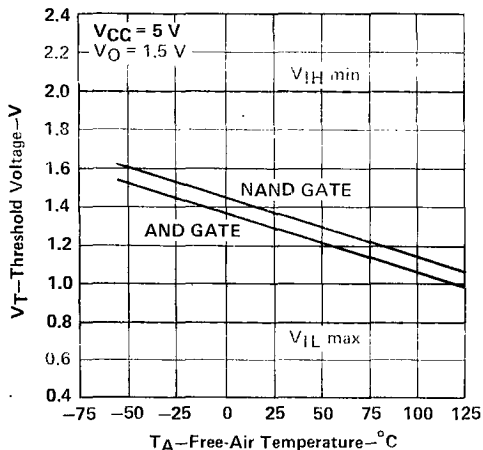


FIGURE 2

HIGH-LEVEL OUTPUT VOLTAGE
 vs
 OUTPUT CURRENT

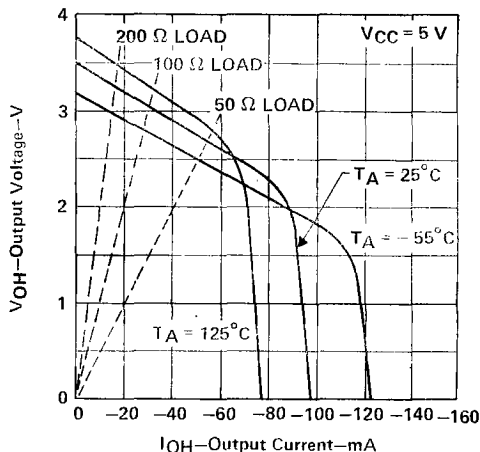


FIGURE 3

DIFFERENTIAL OUTPUT VOLTAGE
 vs
 DIFFERENTIAL OUTPUT CURRENT

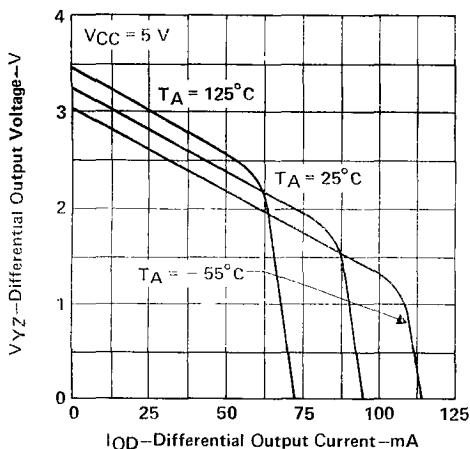


FIGURE 4

LOW-LEVEL OUTPUT VOLTAGE
 vs
 OUTPUT CURRENT

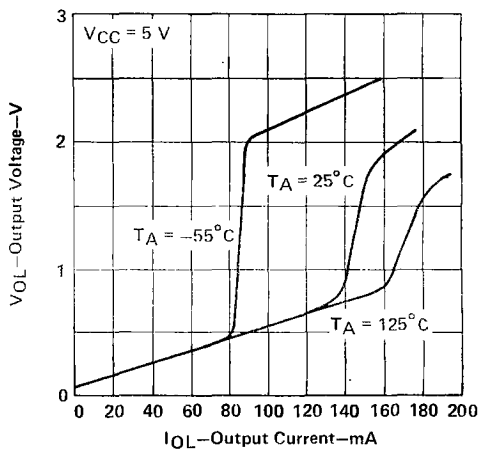


FIGURE 5

†Data for temperatures below 0°C and above 70°C are applicable to SN55183 circuits only.

TYPICAL CHARACTERISTICS†

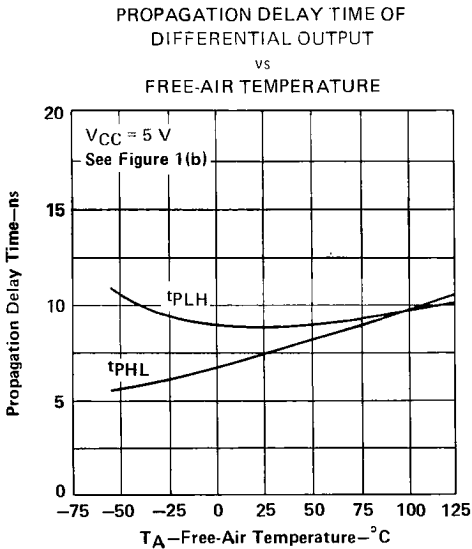


FIGURE 6

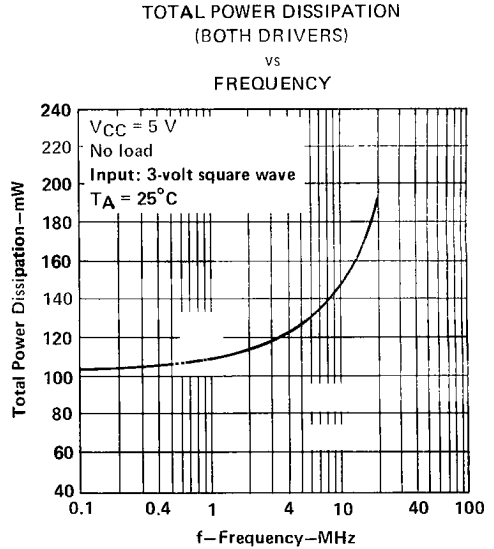
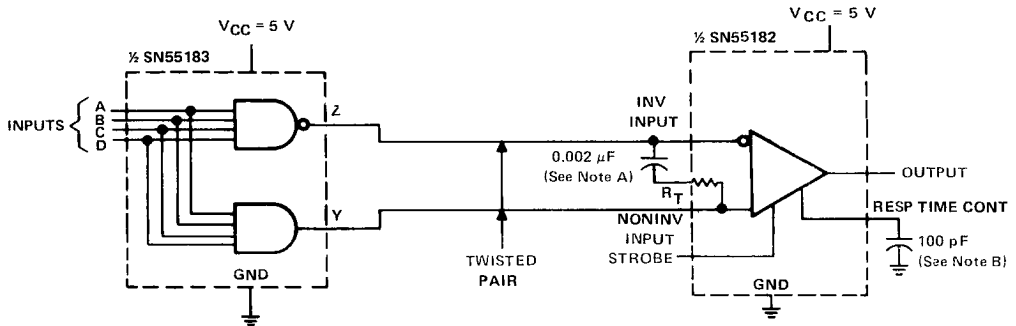


FIGURE 7

†Data for temperatures below 0°C and above 70°C are applicable to SN55183 circuits only.

APPLICATION INFORMATION



NOTES: A. When the inputs are open circuited, the output will be high. A capacitor may be used for dc isolation of the line-terminating resistor. At the frequency of operation, the impedance of the capacitor should be relatively small.

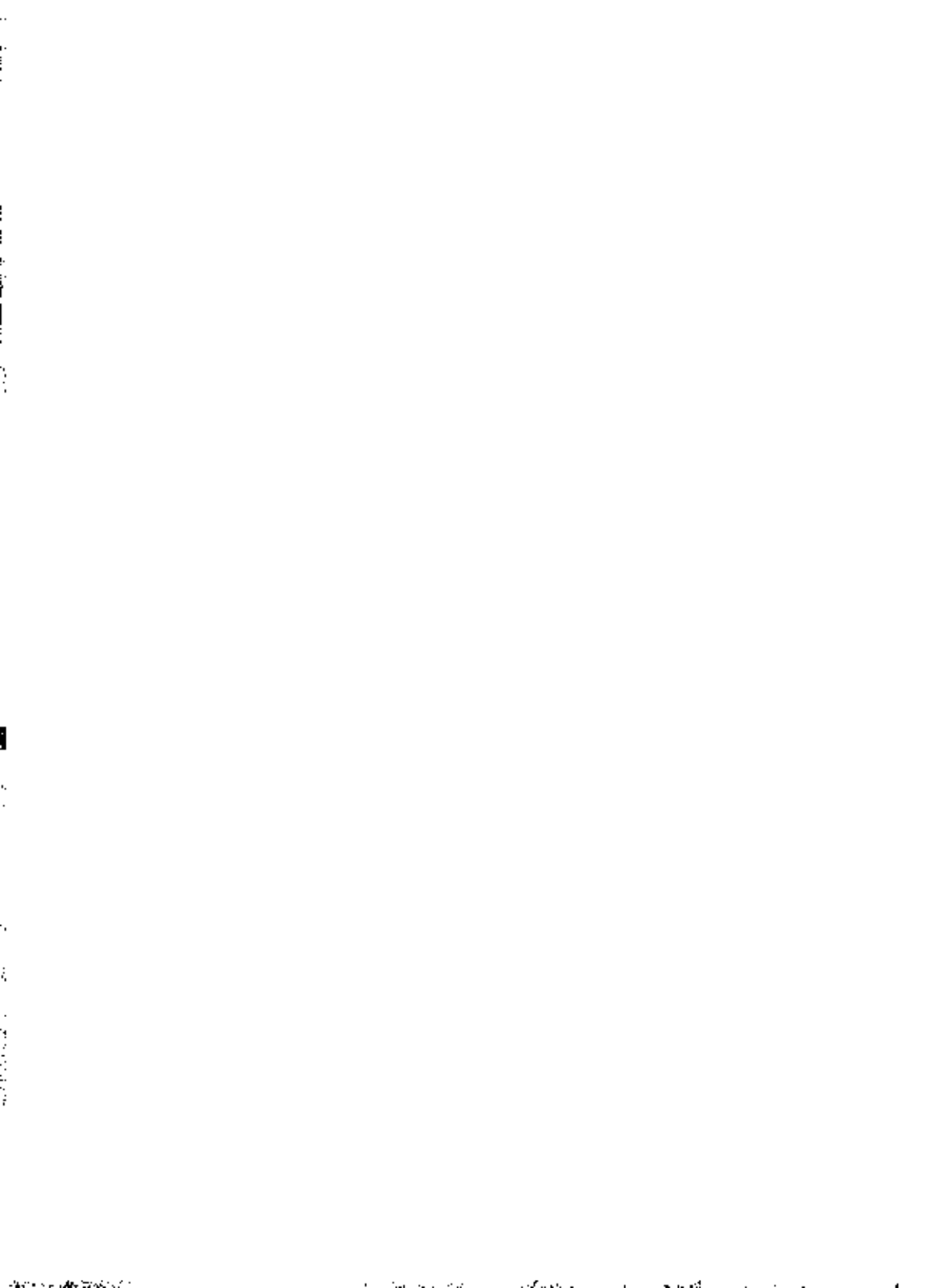
Example: let $f = 5 \text{ MHz}$
 $C = 0.002 \mu\text{F}$

$$Z_C = \frac{1}{2\pi fC} = \frac{1}{2\pi (5 \times 10^6) (0.002 \times 10^{-6})}$$

$$Z_C \approx 16 \Omega$$

B. Use of a capacitor to control response time is optional.

FIGURE 8. TRANSMISSION OF DIGITAL DATA OVER TWISTED-PAIR LINE



SN55188, SN75188 QUADRUPLE LINE DRIVERS

D1323, SEPTEMBER 1983—REVISED SEPTEMBER 1986

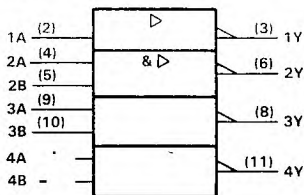
- Meets Specifications of EIA RS-232-C
- Designed to Be Interchangeable With Motorola MC1488
- Current-Limited Output: 10 mA Typ
- Power-Off Output Impedance: 300 Ω Min
- Slew Rate Control by Load Capacitor
- Flexible Supply Voltage Range
- Input Compatible With Most TTL Circuits

description

The SN55188 and SN75188 are monolithic quadruple line drivers designed to interface data terminal equipment with data communications equipment in conformance with EIA Standard RS-232-C using a diode in series with each supply-voltage terminal as shown under typical applications.

The SN55188 is characterized for operation over the full military temperature range of -55°C to 125°C . The SN75188 is characterized for operation from 0°C to 70°C .

logic symbol†



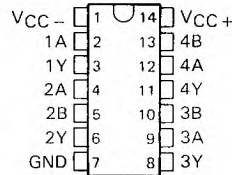
† This symbol is in accordance with ANSI/IEEE Std 91-1984 and IEC Publication 617-12.

FUNCTION TABLE
(DRIVERS 2 THRU 4)

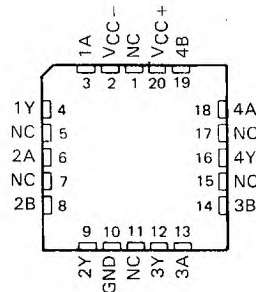
A	B	Y
H	H	L
L	X	H
X	L	H

H = high level,
L = low level,
X = irrelevant

SN55188 . . . J PACKAGE
SN75188 . . . D OR J PACKAGE
(TOP VIEW)

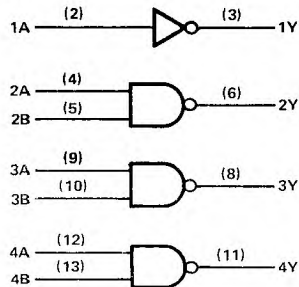


SN55188 . . . FK
CHIP CARRIER PACKAGE
(TOP VIEW)



NC—No internal connection

logic diagram (positive logic)



Positive logic

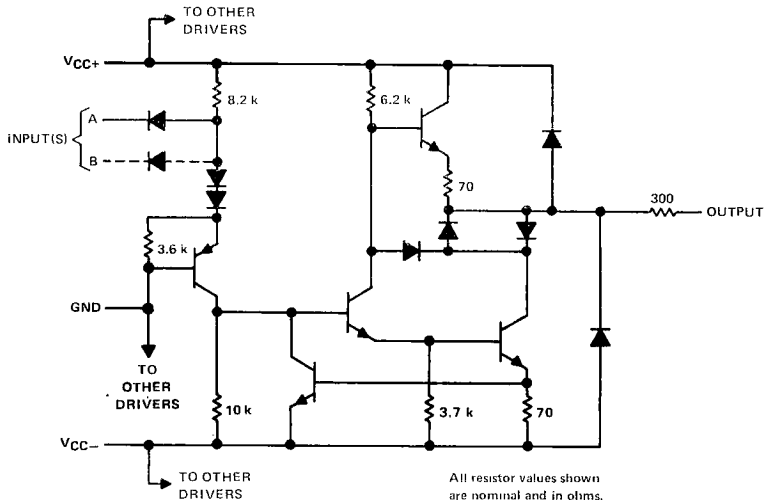
$$Y = \bar{A} \text{ (driver 1)}$$

$$Y = \bar{A}\bar{B} \text{ or } \bar{A} + \bar{B} \text{ (drivers 2 thru 4)}$$

Pin numbers shown are for D and J packages.

SN55188, SN75188 QUADRUPLE LINE DRIVERS

schematic (each driver)



absolute maximum ratings over operating free-air temperature range (unless otherwise noted)

	SN55188	SN75188	UNIT
Supply voltage V_{CC+} , at (or below) 25°C free-air temperature (see Notes 1 and 2)	15	15	V
Supply voltage V_{CC-} , at (or below) 25°C free-air temperature (see Notes 1 and 2)	-15	-15	V
Input voltage range	-15 to 7	-15 to 7	V
Output voltage range	-15 to 15	-15 to 15	V
Continuous total power dissipation (see Note 2)	See Dissipation Rating Table		
Operating free-air temperature range	-55 to 7	0 to 70	°C
Storage temperature range	-65 to 150	-65 to 150	°C
Lead temperature 1,6 mm (1/16 inch) from case for 10 seconds	D or N package	200	°C
Case temperature for 60 seconds	FK package		
Lead temperature 1,6 mm (1/16 inch) from case for 60 seconds	J package	300	°C

NOTES: 1. All voltage values are with respect to the network ground terminal.

2. For operation above 25°C free-air temperature, refer to the maximum supply voltage curve, Figure 6. In the FK and J packages, SN55188 chips are alloy mounted.

DISSIPATION RATING TABLE

PACKAGE	$T_A \leq 25^\circ\text{C}$	DERATING FACTOR ABOVE $T_A = 25^\circ\text{C}$	$T_A = 70^\circ\text{C}$	$T_A = 125^\circ\text{C}$
	POWER RATING		POWER RATING	POWER RATING
D	950 mW	7.6 mW/°C	nW	-
FK	1375 mW	11.0 mW/°C	880 mW	275 mW
J (SN55188)	1375 mW	11.0 mW/°C	880 mW	275 mW
J (SN75188)	1025 mW	8.2 mW/°C	656 mW	-
N	1150 mW	9.2 mW/°C	736 mW	-

SN55188, SN75188
QUADRUPLE LINE DRIVERS

recommended operating conditions

	SN55188			SN75188			UNIT		
	MIN	TYP†	MAX	MIN	NOM	MAX			
Supply voltage, V_{CC+}	7.5	9	15	7.5	9	15	V		
Supply voltage, V_{CC-}	-7.5	-9	-15	-7.5	-9	-15	V		
High-level input voltage, V_{IH}	1.9			1.9			V		
Low-level input voltage, V_{IL}	0.8			0.8			V		
Operating free-air temperature, T_A	-55			125			0	70	°C

electrical characteristics over operating free-air temperature range, $V_{CC+} = 9\text{ V}$, $V_{CC-} = -9\text{ V}$ (unless otherwise noted)

PARAMETER	TEST CONDITIONS		SN55188			SN75188			UNIT		
			MIN	TYP†	MAX	MIN	TYP†	MAX			
V_{OH} High-level output voltage	$V_{IL} = 0.8\text{ V}$, $R_L = 3\text{ k}\Omega$	$V_{CC+} = 9\text{ V}$, $V_{CC-} = -9\text{ V}$	6	7		6	7		V		
		$V_{CC+} = 13.2\text{ V}$, $V_{CC-} = -13.2\text{ V}$	9	10.5		9	10.5				
V_{OL} Low-level output voltage	$V_{IH} = 1.9\text{ V}$, $R_L = 3\text{ k}\Omega$	$V_{CC+} = 9\text{ V}$, $V_{CC-} = -9\text{ V}$		-7	-6		-7	-6	V		
		$V_{CC+} = 13.2\text{ V}$, $V_{CC-} = -13.2\text{ V}$		-10.5	-9		-10.5	-9			
I_{IH} High-level input current	$V_I = 5\text{ V}$				10			10	μA		
I_{IL} Low-level input current	$V_I = 0$			-1	-1.6			-1	-1.6	mA	
$I_{OS(H)}$ Short-circuit output current at high level‡	$V_I = 0.8\text{ V}$, $V_O = 0$		-4.6	-9	-13.5			-6	-9	-12	mA
$I_{OS(L)}$ Short-circuit output current at low level‡	$V_I = 1.9\text{ V}$, $V_O = 0$		4.6	9	13.5			6	9	12	mA
r_o Output resistance, power off	$V_{CC+} = 0$, $V_O = -2\text{ V to }2\text{ V}$	$V_{CC-} = 0$	300			300			Ω		
I_{CC+} Supply current from V_{CC+}	No load	$V_{CC+} = 9\text{ V}$, All inputs at 1.9 V	15			20			mA		
		$V_{CC+} = 9\text{ V}$, All inputs at 0.8 V	4.5			6					
		$V_{CC+} = 12\text{ V}$, All inputs at 1.9 V	19			25					
		$V_{CC+} = 12\text{ V}$, All inputs at 0.8 V	5.5			7					
I_{CC-} Supply current from I_{CC-}	No load	$V_{CC-} = -9\text{ V}$, All inputs at 1.9 V	-13			-17			mA		
		$V_{CC-} = -9\text{ V}$, All inputs at 0.8 V	-0.5			-0.015					
		$V_{CC-} = -12\text{ V}$, All inputs at 1.9 V	-18			-23					
		$V_{CC-} = -12\text{ V}$, All inputs at 0.8 V	-0.5			-0.015					
P_D Total power dissipation	No load	$V_{CC+} = 9\text{ V}$, $V_{CC-} = -9\text{ V}$	333			333			mW		
		$V_{CC+} = 12\text{ V}$, $V_{CC-} = -12\text{ V}$	576			576					
		$V_{CC+} = 9\text{ V}$, $V_{CC-} = -12\text{ V}$	576			576					
		$V_{CC+} = 12\text{ V}$, $V_{CC-} = -9\text{ V}$	576			576					

†All typical values are at $T_A = 25^\circ\text{C}$.

‡Not more than one output should be shorted at a time.

NOTE 3: The algebraic convention in which the less positive (more negative) limit is designated as minimum, is used in this data sheet for logic voltage levels only, e.g., if -6 V is a maximum, the typical value is a more negative voltage.

SN55188, SN75188 QUADRUPLE LINE DRIVERS

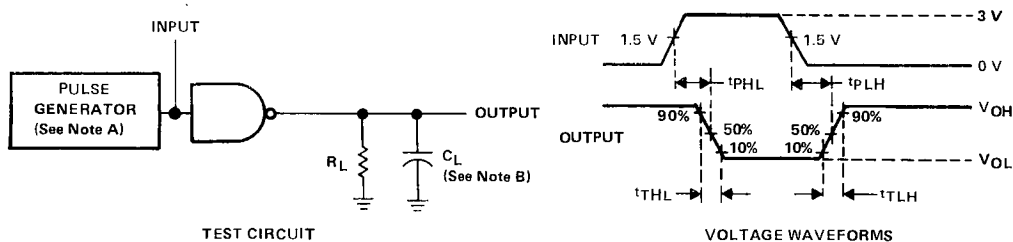
switching characteristics, $V_{CC+} = 9\text{ V}$, $V_{CC-} = -9\text{ V}$, $T_A = 25^\circ\text{C}$

PARAMETER	TEST CONDITIONS	MIN	TYP	MAX	UNIT
t_{PLH} Propagation delay time, low-to-high-level output	$R_L = 3\text{ k}\Omega$, $C_L = 15\text{ pF}$		220	350	ns
t_{PHL} Propagation delay time, high-to-low-level output			100	175	ns
t_{TLH}^{\dagger} Transition time, low-to-high-level output [†]	See Figure 1		55		ns
t_{THL}^{\dagger} Transition time, high-to-low-level output [†]			45		ns
t_{TLH}^{\ddagger} Transition time, low-to-high-level output [‡]	$R_L = 3\text{ k}\Omega$ to $7\text{ k}\Omega$, $C_L = 2500\text{ pF}$		2.5		μs
t_{THL}^{\ddagger} Transition time, high-to-low-level output [‡]	See Figure 1		3.0		μs

[†]Measured between 10% and 90% points of output waveform.

[‡]Measured between +3 V and -3 V points on the output waveform (EIA RS-232-C conditions)

PARAMETER MEASUREMENT INFORMATION



NOTES: A. The pulse generator has the following characteristics: $t_w = 0.5\text{ }\mu\text{s}$, $\text{PRR} \leq 1\text{ MHz}$, $Z_0 = 50\text{ }\Omega$.

B. C_L includes probe and jig capacitance.

FIGURE 1. PROPAGATION AND TRANSITION TIMES

TYPICAL CHARACTERISTICS†

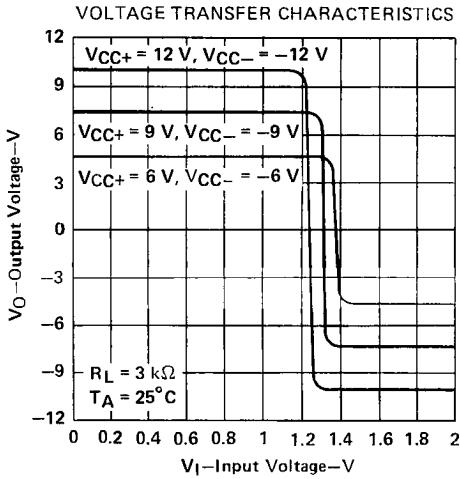


FIGURE 2

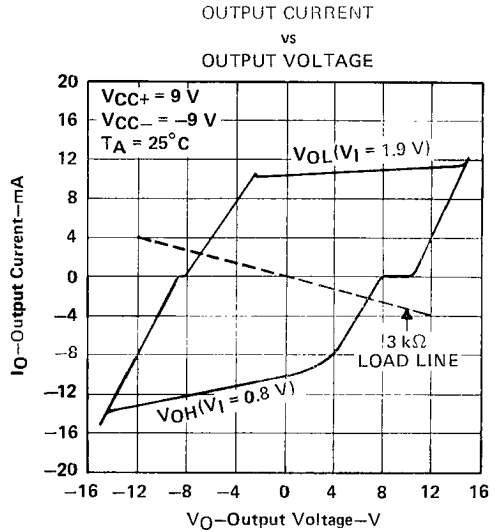


FIGURE 3

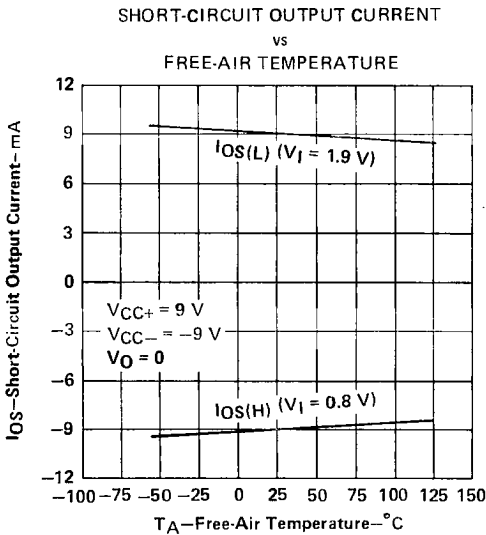


FIGURE 4

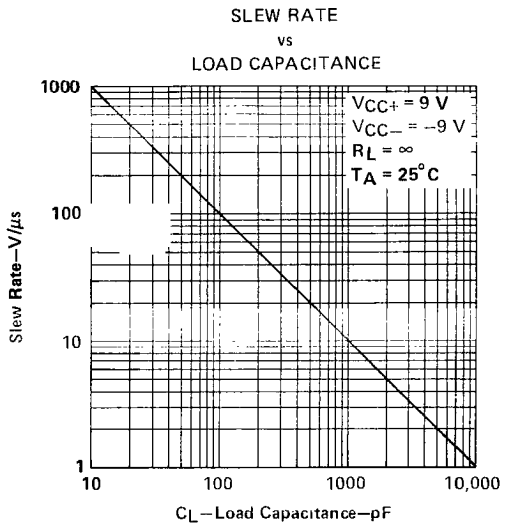


FIGURE 5

†Data for temperatures below 0°C and above 70°C are applicable to SN55188 circuit only.

THERMAL INFORMATION†

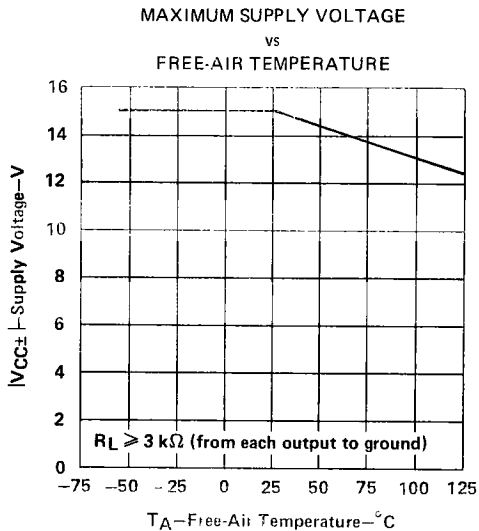


FIGURE 6

APPLICATION INFORMATION

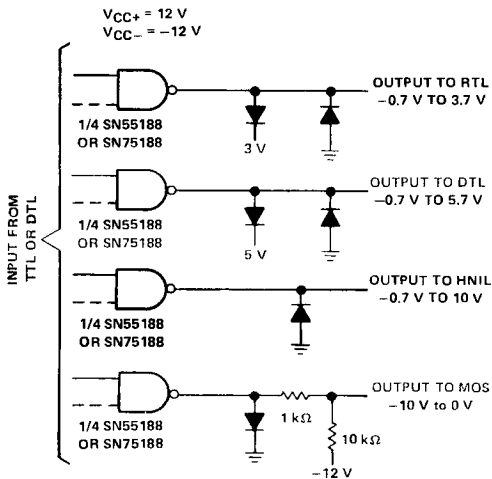


FIGURE 7. LOGIC TRANSLATOR APPLICATIONS

Diodes placed in series with the V_{CC+} and V_{CC-} leads will protect the SN55188/SN75188 in the fault condition in which the device outputs are shorted to ± 15 V and the power supplies are at low voltage and provide low-impedance paths to ground.

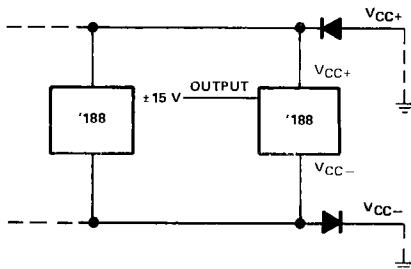


FIGURE 8. POWER SUPPLY PROTECTION TO MEET POWER-OFF FAULT CONDITIONS OF EIA STANDARD RS-232-C

SN55189, SN55189A, SN75189, SN75189A QUADRUPLE LINE RECEIVERS

D1619, SEPTEMBER 1973—REVISED MAY 1990

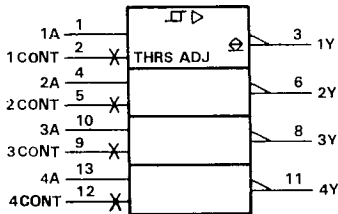
- Input Resistance . . . 3 k Ω to 7 k Ω
- Input Signal Range . . . ± 30 V
- Operates from Single 5-V Supply
- Built-In Input Hysteresis (Double Thresholds)
- Response Control Provides:
 - Input Threshold Shifting
 - Input Noise Filtering
- Satisfies Requirements of EIA RS-232-C
- Fully Interchangeable with Motorola MC1489, MC1489A

description

These devices are monolithic low-power Schottky quadruple line receivers designed to satisfy the requirements of the standard interface between data terminal equipment and data communication equipment as defined by EIA Standard RS-232-C. A separate response control terminal is provided for each receiver. A resistor or a resistor and bias voltage source can be connected between this terminal and ground to shift the input threshold levels. An external capacitor can be connected between this terminal and ground to provide input noise filtering.

The SN55189 and SN55189A are characterized for operation over the full military temperature range of -55°C to 125°C . The SN75189 and SN75189A are characterized for operation from 0°C to 70°C .

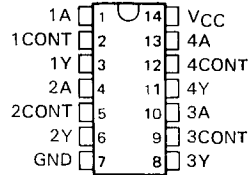
logic symbol†



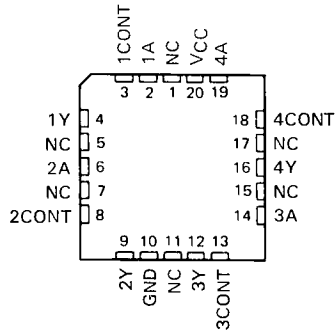
†This symbol is in accordance with ANSI/IEEE Std 91-1984 and IEC Publication 617-12.

Pin numbers shown are for D, J, and N packages.

SN55189, SN55189A . . . J PACKAGE
SN75189, SN75189A . . . D, J, OR N PACKAGE
(TOP VIEW)

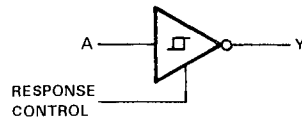


SN55189, SN55189A . . . FK PACKAGE
(TOP VIEW)



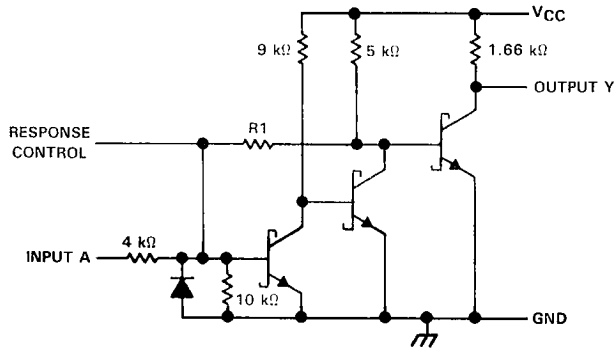
NC—No internal connection

logic diagram (each receiver)



SN55189, SN55189A, SN75189, SN75189A QUADRUPLE LINE RECEIVERS

schematic (each receiver)



	SN55189	SN55189A
	SN75189	SN75189A
R1	8.4 kΩ	1.84 kΩ

Resistor values shown are nominal.

absolute maximum ratings over operating free-air temperature range (unless otherwise noted)

	SN55189 SN55189A	SN75189 SN75189A	UNIT
Supply voltage, V_{CC} (see Note 1)	10	10	V
Input voltage	± 30	± 30	V
Output current	20	20	mA
Continuous total power dissipation (see Note 2)	See Dissipation Rating Table		
Operating temperature range	-55 to 125	0 to 70	$^{\circ}\text{C}$
Storage temperature range	-65 to 150	-65 to	$^{\circ}\text{C}$
Case temperature for 60 seconds: FK package	260		$^{\circ}\text{C}$
Lead temperature 1,6 mm (1/16 inch) from case for 60 seconds: J package	300		$^{\circ}\text{C}$
Lead temperature 1,6 mm (1/16 inch) from case for 10 seconds: D or N package			$^{\circ}\text{C}$

NOTES: 1. All voltage values are with respect to network ground terminals.

2. In the J package, SN55189 and SN55189A chips are either silver glass or alloy mounted and SN75189 and SN75189A chips are glass mounted.

DISSIPATION RATING TABLE

PACKAGE	$T_A \leq 25^{\circ}\text{C}$ POWER RATING	DERATING FACTOR ABOVE $T_A = 25^{\circ}\text{C}$	$T_A = 70^{\circ}\text{C}$ POWER RATING	$T_A = 125^{\circ}\text{C}$ POWER RATING
D	950 mW	7.6 mW/ $^{\circ}\text{C}$	736 mW	N/A
FK	1375 mW	11.0 mW/ $^{\circ}\text{C}$	880 mW	275 mW
J (SN55 _____)	1375 mW	11.0 mW/ $^{\circ}\text{C}$	880 mW	275 mW
J (SN75 _____)	1025 mW	8.2 mW/ $^{\circ}\text{C}$	656 mW	N/A
N	1150 mW	9.2 mW/ $^{\circ}\text{C}$	736 mW	N/A

TEXAS
INSTRUMENTS

POST OFFICE BOX 655303 • DALLAS, TEXAS 75285

SN55189, SN55189A, SN75189, SN75189A QUADRUPLE LINE RECEIVERS

electrical characteristics over operating free-air temperature range, $V_{CC} = 5\text{ V} \pm 1\%$, (unless otherwise noted)

PARAMETER	TEST FIGURE	TEST CONDITIONS†		SN55189			SN75189			UNIT
				MIN	TYP	MAX	MIN	TYP	MAX	
V_{T+} Positive-going threshold voltage	1	'189	$T_A = 25^\circ\text{C}$	1	1.3	1.5	1	1.3	1.5	V
			$T_A = 0^\circ\text{C to } 70^\circ\text{C}$				0.9	1.6		
			$T_A = -55^\circ\text{C to } 125^\circ\text{C}$	0.6	1.9					
		'189A	$T_A = 25^\circ\text{C}$	1.75	1.9	2.25	1.75	1.9	2.25	
			$T_A = 0^\circ\text{C to } 70^\circ\text{C}$				1.55	2.25		
V_{T-} Negative-going threshold voltage	1	'189, '189A	$T_A = 25^\circ\text{C}$	0.75	1.0	1.25	0.75	1.0	1.25	V
			$T_A = 0^\circ\text{C to } 70^\circ\text{C}$				0.65	1.25		
			$T_A = -55^\circ\text{C to } 125^\circ\text{C}$	1.30	2.65					
V_{OH} High-level output voltage	1	$V_I = 0.75\text{ V}$, $I_{OH} = -0.5\text{ mA}$		2.6	4	5	2.6	4	5	V
		Input open, $I_{OH} = -0.5\text{ mA}$		2.6	4	5	2.6	4	5	
V_{OL} Low-level output voltage	1	$V_I = 3\text{ V}$, $I_{OL} = 10\text{ mA}$		0.2		0.45	0.2		0.45	V
I_{IH} High-level input current	2	$V_I = 25\text{ V}$		3.6		8.3	3.6		8.3	mA
		$V_I = 3\text{ V}$		0.43		0.43				
I_{IL} Low-level input current	2	$V_I = -25\text{ V}$		-3.6		-8.3	-3.6		-8.3	mA
		$V_I = -3\text{ V}$		-0.43		-0.43				
I_{OS} Short-circuit output current	3			-3		-3			mA	
I_{CC} Supply current	2	$V_I = 5\text{ V}$, Outputs open		20		26	20		26	mA

† All characteristics are measured with the response control terminal open.

‡ All typical values are at $V_{CC} = 5\text{ V}$, $T_A = 25^\circ\text{C}$.

switching characteristics, $V_{CC} = 5\text{ V}$, $T_A = 25^\circ\text{C}$

PARAMETER		TEST FIGURE	TEST CONDITIONS	MIN	TYP	MAX	UNIT
t_{PLH}	Propagation delay time, low-to-high-level output	4	$C_L = 15\text{ pF}$, $R_L = 3.9\text{ k}\Omega$		25	85	ns
t_{PHL}	Propagation delay time, high-to-low-level output		$C_L = 15\text{ pF}$, $R_L = 390\ \Omega$		25	50	
t_{TLH}	Transition time, low-to-high-level output		$C_L = 15\text{ pF}$, $R_L = 3.9\text{ k}\Omega$		120	175	ns
t_{THL}	Transition time, high-to-low-level output		$C_L = 15\text{ pF}$, $R_L = 390\ \Omega$		10	20	

**SN55189, SN55189A, SN75189, SN55179A
QUADRUPLE LINE RECEIVERS**

PARAMETER MEASUREMENT INFORMATION†

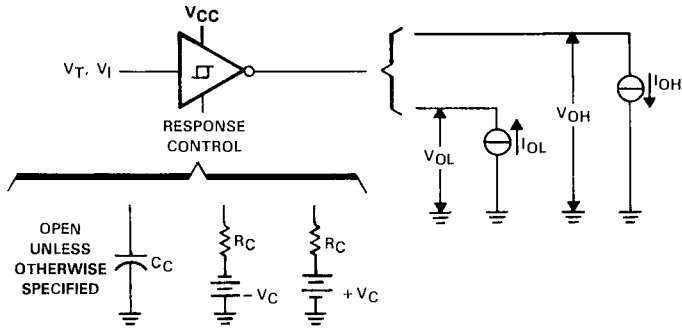
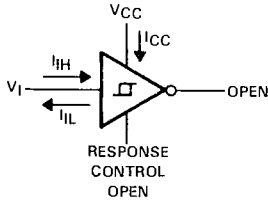


FIGURE 1. $V_{T+}, V_{T-}, V_{OH}, V_{OL}$



I_{CC} is tested for all four receivers simultaneously

FIGURE 2. I_{iH}, I_{iL}, I_{CC}

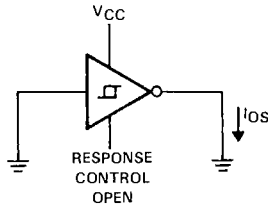
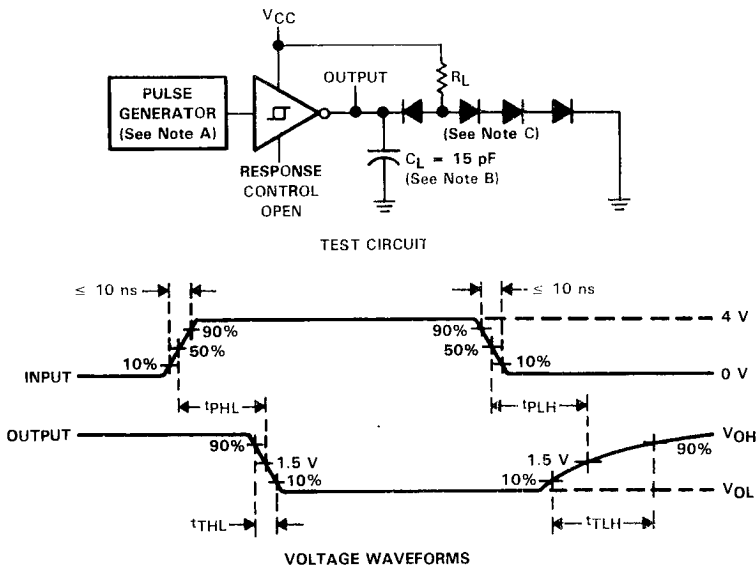


FIGURE 3. I_{os}

†Arrows indicate actual direction of current flow. Current into a terminal is a positive value.

PARAMETER MEASUREMENT INFORMATION



- NOTES: A. The pulse generator has the following characteristics: $Z_0 \approx 50 \Omega$, $\tau_w = 500 \text{ ns}$.
 B. C_L includes probe and jig capacitances.
 C. All diodes are 1N3064 or equivalent.

FIGURE 4. SWITCHING TIMES

SN55189, SN55189A, SN75189, SN75189A
QUADRUPLE LINE RECEIVERS

TYPICAL CHARACTERISTICS

SN55189, SN75189
 OUTPUT VOLTAGE
 vs
 INPUT VOLTAGE

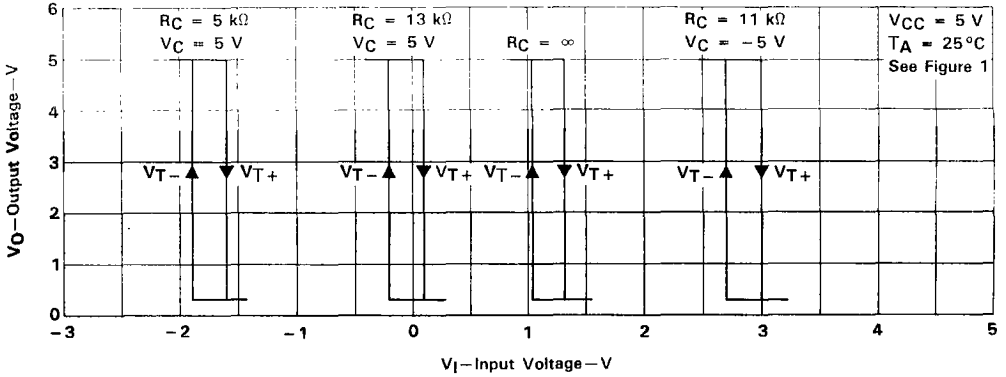


FIGURE 5

SN55189A, SN75189A
 OUTPUT VOLTAGE
 vs
 INPUT VOLTAGE

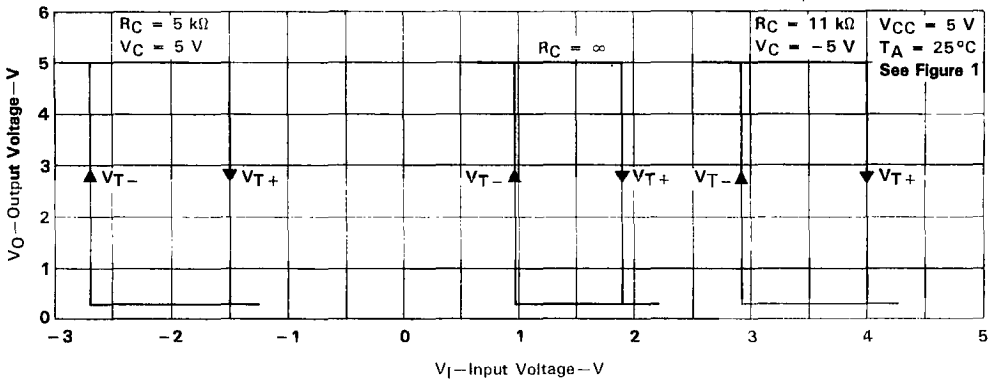


FIGURE 6



TYPICAL CHARACTERISTICS†

INPUT THRESHOLD VOLTAGE
 vs
 FREE-AIR TEMPERATURE

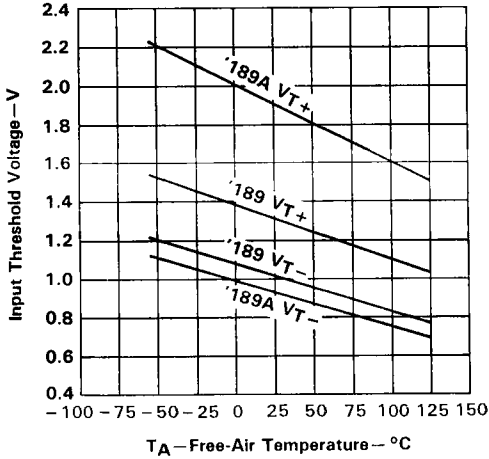


FIGURE 7

INPUT THRESHOLD VOLTAGE
 vs
 SUPPLY VOLTAGE

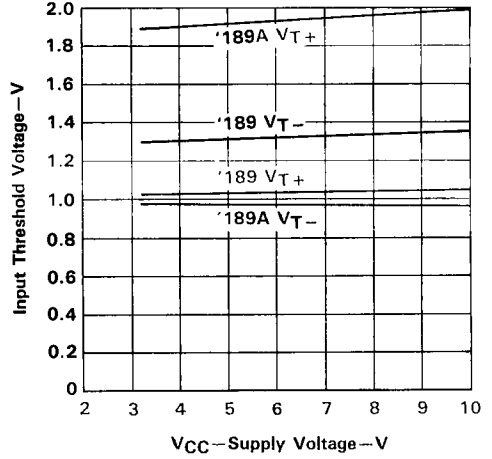
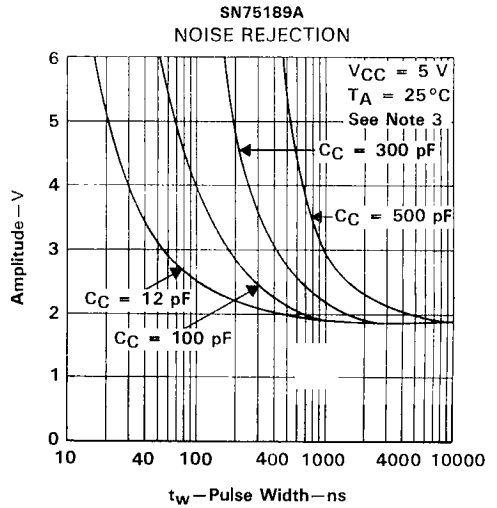
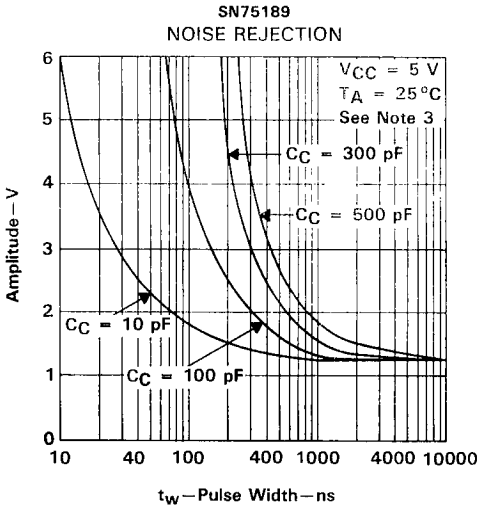


FIGURE 8

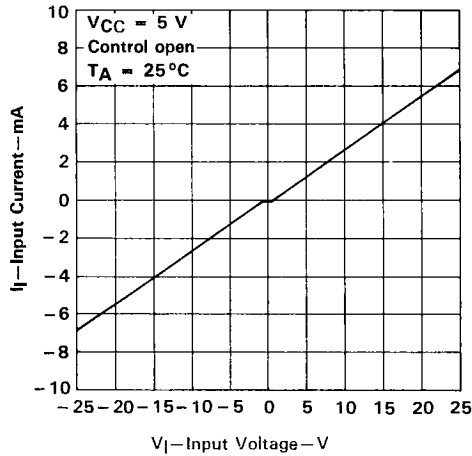
†Data for free-air temperatures below 0°C and above 70°C are applicable to SN55189 and SN55189A circuits only.

SN55189, SN55189A, SN75189, SN75189A
QUADRUPLE LINE RECEIVERS

TYPICAL CHARACTERISTICS



INPUT CURRENT
vs
INPUT VOLTAGE



NOTE 3: This figure shows the maximum amplitude of a positive-going pulse that, starting from zero volts, will not cause a change of the output level.

SN55ALS056, SN55ALS057 TRAPEZOIDAL-WAVEFORM INTERFACE BUS TRANSCEIVERS

D3275, APRIL 1989

SUITABLE FOR IEEE STANDARD 896 APPLICATIONS†

- SN55ALS056 Is an Octal Transceiver
- SN55ALS057 Is a Quad Transceiver
- High-Speed Advanced Low-Power Schottky Circuitry
- Low Power Dissipation . . . 60 mW/Channel Max
- High-Impedance P-N-P Inputs
- BTL™ Logic Level 1-V Bus Swing Reduces Power Consumption
- Trapezoidal Bus Output Waveform Reduces Noise Coupling to Adjacent Lines
- Power-Up/Down Protection (Glitch-Free)
- Open-Collector Driver Outputs Allow Wired-OR Connections

description

The SN55ALS056 is an 8-channel, monolithic, high-speed, Advanced Low-Power Schottky device designed for 2-way data communication in a densely populated backplane. The SN55ALS057 is a 4-channel version with independent driver input (Dn) and receiver output (Rn) pins and a separate driver disable for each driver (En). Both are compatible with Backplane Transceiver Logic (BTL™) technology at significantly reduced power dissipation per channel.

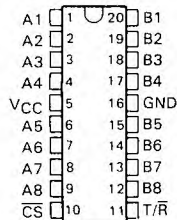
These transceivers feature open-collector driver outputs with a series Schottky diode to reduce capacitive loading to the bus. By using a 2-V pull-up termination on the bus, the output signal swing will be approximately 1 V, which reduces the power necessary to drive the bus load capacitance. The driver outputs generate trapezoidal waveforms that reduce crosstalk between channels. The drivers are capable of driving an equivalent dc load as low as 18.5 Ω. The receivers have internal low-pass filters to further improve noise immunity.

The SN55ALS056 and SN55ALS057 are characterized for operation from -55°C to 125°C.

† The transceivers are suitable for IEEE Standard 896 applications to the extent of the operating conditions and characteristics specified in this data sheet. Certain limits contained in the IEEE specification are not met or cannot be tested over the entire military temperature range. BTL is a trademark of National Semiconductor Corporation.

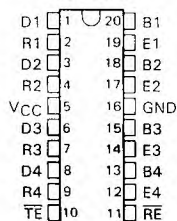
SN55ALS056 . . . J OR W PACKAGE

(TOP VIEW)



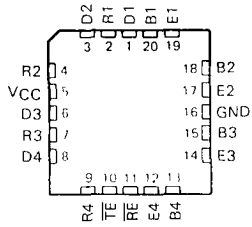
SN55ALS057 . . . J OR W PACKAGE

(TOP VIEW)

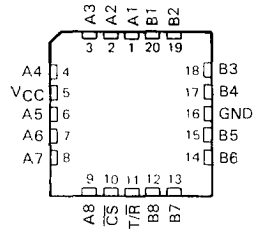


SN55ALS056, SN55ALS057 TRAPEZOIDAL-WAVEFORM INTERFACE BUS TRANSCEIVERS

SN55ALS056 . . . FK PACKAGE
(TOP VIEW)

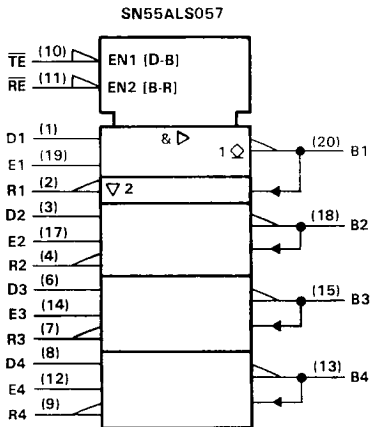
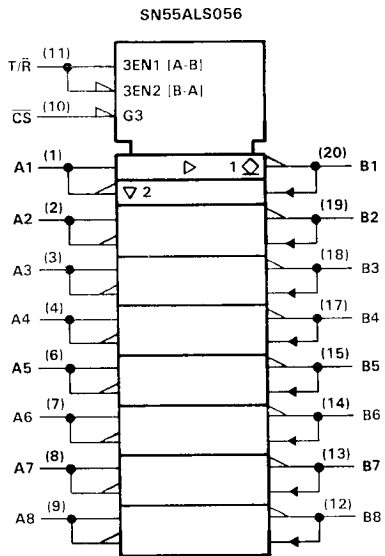


SN55ALS057 . . . FK PACKAGE
(TOP VIEW)



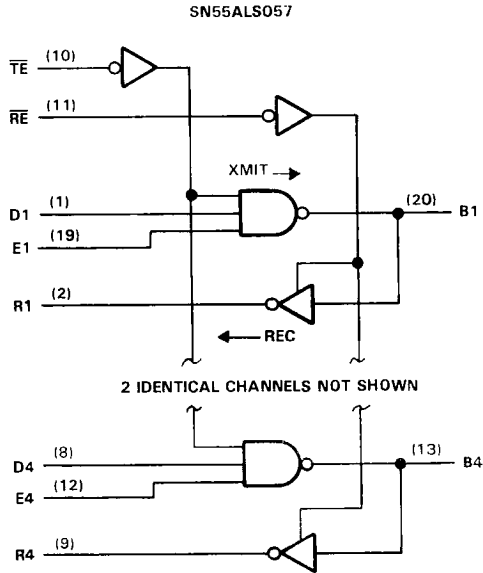
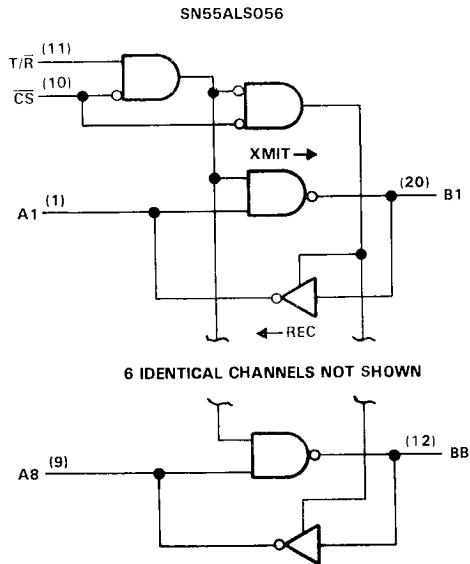
SN55ALS056, SN55ALS057 TRAPEZOIDAL-WAVEFORM INTERFACE BUS TRANSCEIVERS

logic symbols†



†These symbols are in accordance with ANSI/IEEE Std 91-1984 and IEC Publication 617-12.

logic diagrams (positive logic)



SN55ALS056, SN55ALS057 TRAPEZOIDAL-WAVEFORM INTERFACE BUS TRANSCEIVERS

SN55ALS056
FUNCTION TABLE
TRANSMIT/RECEIVE

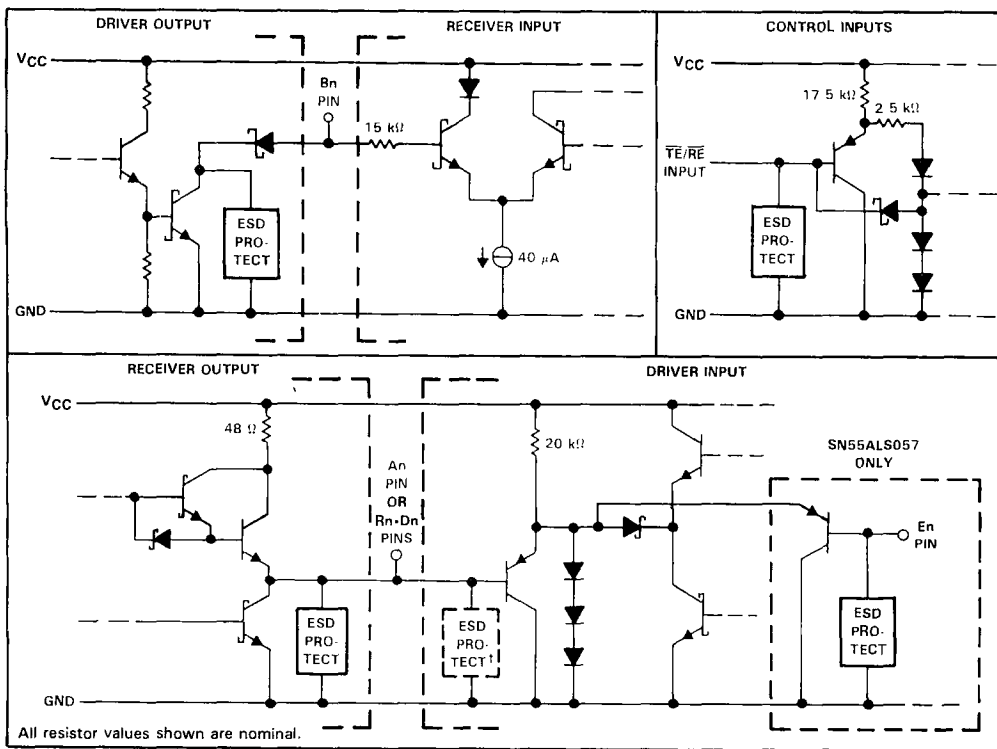
CONTROLS		CHANNELS
\overline{CS}	T/R	A \leftrightarrow B
L	H	T (A \rightarrow B)
L	L	R (B \rightarrow A)
H	X	D

SN55ALS057
FUNCTION TABLE
TRANSMIT/RECEIVE

CONTROLS			CHANNELS	
\overline{TE}	\overline{RE}	En	D \rightarrow B	B \rightarrow R
L	L	L	D	R
L	L	H	T	R
L	H	L	D	D
L	H	H	T	D
H	L	X	D	R
H	H	X	D	D

H = high-level, L = low-level, R = receive, T = transmit, D = disable, X = irrelevant
 Direction of data transmission is from An to Bn for the SN55ALS056 and from Dn to Bn for the SN55ALS057.
 Direction of data reception is from Bn to An for the SN55ALS056 and from Bn to Rn for the SN55ALS057.
 Data transfer is inverting in both directions.

schematics of inputs and outputs



[†]Additional ESD protection is on the SN55ALS057, which has separate receiver output and driver input pins.

SN55ALS056, SN55ALS057
TRAPEZOIDAL-WAVEFORM INTERFACE BUS TRANSCEIVERS

absolute maximum ratings over operating free-air temperature (unless otherwise noted)

Supply voltage, V_{CC} (see Note 1)	6 V
Control input voltage	5.5 V
Driver input voltage	5.5 V
Driver output voltage	2.5 V
Receiver input voltage	2.5 V
Receiver output voltage	5.5 V
Continuous total power dissipation at (or below) 25°C free-air temperature (see Note 2)	1375 mW
Operating free-air temperature range	-55°C to 125°C
Storage temperature range	-65°C to 150°C
Lead temperature 1,6 mm (1/16 inch) from case for 60 seconds	300°C

- NOTES: 1. Voltage values are with respect to network ground terminal.
 2. For operation above 25°C free-air temperature, derate to 275 mW at 125°C at the rate of 11.0 mW/°C.

recommended operating conditions

	MIN	NOM	MAX	UNIT
Supply voltage, V_{CC}	4.5	5	5.5	V
High-level driver and control input voltage, V_{IH}	2			V
Low-level driver and control input voltage, V_{IL}	0.8			V
Bus termination voltage	1.9			V
Operating free-air temperature, T_A	-55		125	°C

SN55ALS056, SN55ALS057 TRAPEZOIDAL-WAVEFORM INTERFACE BUS TRANSCEIVERS

SN55ALS056 electrical characteristics over recommended ranges of operating free-air temperature and supply voltage (unless otherwise noted)

PARAMETER		TEST CONDITIONS	MIN	TYP [†]	MAX	UNIT
V_{IK}	Input clamp voltage at An, $\overline{T/R}$, or \overline{CS}	$V_{CC} = 4.5\text{ V}$, $I_I = -18\text{ mA}$			-1.5	V
V_T	Receiver input threshold at Bn	$V_{CC} = 5\text{ V}$, $T_A = 25^\circ\text{C}$	1.45		1.65	V
		$V_{CC} = 5\text{ V}$, $T_A = -55^\circ\text{C}$ to 125°C	1.4		1.7	
V_{OH}	High-level output voltage at An	$V_{CC} = 4.5$, Bn at 1.2 V, \overline{CS} at 0.8 V, $\overline{T/R}$ at 0.8 V, $I_{OH} = -400\text{ }\mu\text{A}$	2.4			V
V_{OL}	Low-level output voltage	$V_{CC} = 4.5\text{ V}$, Bn at 2 V, \overline{CS} at 0.8 V, $\overline{T/R}$ at 0.8 V, $\overline{T/R}$ at 0.8 V, $I_{OL} = 16\text{ mA}$			0.5	V
	An		$V_{CC} = 4.5\text{ V}$, An at 2 V, \overline{CS} at 0.8 V, $\overline{T/R}$ at 2 V, See Figure 1	0.75	1.2	
I_{IH}	High-level input current	$V_I = V_{CC} = 5.5\text{ V}$ $V_{CC} = 5.5\text{ V}$, $V_I = 2\text{ V}$, An at 0.8 V, $\overline{T/R}$ at 0.8 V			40	μA
	An, $\overline{T/R}$, or \overline{CS}				100	
I_{IL}	Low-level input current at An, $\overline{T/R}$, or \overline{CS}	$V_{CC} = 5.5\text{ V}$, $V_I = 0.4\text{ V}$			-400	μA
I_{OS}	Short-circuit output current at An	$V_{CC} = 5.5\text{ V}$, An at 0 V, Bn at 1.2 V, \overline{CS} at 0.8 V, $\overline{T/R}$ at 0.8 V	-35		-125	μA
I_{CC}	Supply current	$V_{CC} = 5.5\text{ V}$			85	mA
$C_{O(B)}$	Driver output capacitance				4.5	pF

SN55ALS057 electrical characteristics over recommended ranges of operating free-air temperature and supply voltage (unless otherwise noted)

PARAMETER		TEST CONDITIONS	MIN	TYP [†]	MAX	UNIT
V_{IK}	Input clamp voltage at Dn, En, \overline{TE} , or \overline{RE}	$V_{CC} = 4.5\text{ V}$, $I_I = -18\text{ mA}$			-1.5	V
V_T	Receiver input threshold at Bn	$V_{CC} = 5\text{ V}$, $T_A = 25^\circ\text{C}$	1.45		1.65	V
		$V_{CC} = 5\text{ V}$, $T_A = -55^\circ\text{C}$ to 125°C	1.4		1.7	
V_{OH}	High-level output voltage at Rn	$V_{CC} = 4.5$, Bn at 1.2 V, \overline{RE} at 0.8 V, $I_{OH} = -400\text{ }\mu\text{A}$	2.4			V
V_{OL}	Low-level output voltage	$V_{CC} = 4.5\text{ V}$, Bn at 2 V, \overline{RE} at 0.8 V, $I_{OL} = 16\text{ mA}$			0.5	V
	Rn		$V_{CC} = 4.5\text{ V}$, Dn at 2 V, En at 2 V, \overline{TE} at 0.8 V See Figure 1	0.75	1.2	
I_{IH}	High-level input current	$V_I = V_{CC} = 5.5\text{ V}$ $V_{CC} = 5.5\text{ V}$, $V_I = 2\text{ V}$, Dn at 0.8 V, En at 0.8 V, \overline{TE} at 0.8 V			40	μA
	Dn, En, \overline{TE} , or \overline{RE}				100	
I_{IL}	Low-level input current at Dn, En, \overline{TE} , or \overline{RE}	$V_{CC} = 5.5\text{ V}$, $V_I = 0.4\text{ V}$			-400	μA
I_{OS}	Short-circuit output current at Rn	$V_{CC} = 5.5\text{ V}$, Rn at 0 V, Bn at 1.2 V, \overline{RE} at 0.8 V	-35		-125	μA
I_{CC}	Supply current	$V_{CC} = 5.5\text{ V}$			45	mA
$C_{O(B)}$	Driver output capacitance				4.5	pF

[†]All typical values are at $V_{CC} = 5\text{ V}$, $T_A = 25^\circ\text{C}$.



SN55ALS056
TRAPEZOIDAL-WAVEFORM INTERFACE BUS TRANSCEIVERS

switching characteristics over recommended ranges of operating free-air temperature and supply voltage (unless otherwise noted)

receiver

PARAMETER	FROM (INPUT)	TO (OUTPUT)	TEST CONDITIONS	T _A [†]	MIN	TYP	MAX	UNIT
t _{PLH} Propagation delay time, low- to high-level output	Bn	An	\overline{CS} at 0.8 V, V _L = 5 V, See Figure 4	25 °C			20	ns
t _{PHL} Propagation delay time, high- to low-level output				Full range		22		
				2			18	
				Full range			20	
t _{PLZ} Output disable time from low level	\overline{CS}	An	Bn at 2 V, V _L = 5 V, See Figure 5	25 °C			20	ns
t _{PZL} Output enable time to low level				Full range		22		
				25 °C			13	
				Full range			14	
t _{PHZ} Output disable time from high level	\overline{CS}	An	Bn at 0.8 V, V _L = 0, S1 closed, See Figure 5	25 °C			12	ns
t _{PZH} Output enable time to high level				Full range		13		
				25 °C			14	
				Full range			22	
t _{PLZ} Output disable time from low level	T/ \overline{R}	An	\overline{CS} at 0.8 V, V _L = 5 V, See Figure 5	25 °C			17	ns
t _{PZL} Output enable time to low level				Full range		20		
				25 °C			25	
				Full range			40	
t _{PHZ} Output disable time from high level	T/ \overline{R}	An	\overline{CS} at 0.8 V, S1 closed, See Figure 5	25 °C			12	ns
t _{PZH} Output enable time to high level				Full range		13		
				25 °C			15	
				Full range			22	
t _{w(NR)} Receiver noise rejection pulse duration	Bn	An or Rn	V _L = 5 V, S1 closed, See Figure 6	25 °C		4		ns
				Full range		2		

driver

PARAMETER	FROM (INPUT)	TO (OUTPUT)	TEST CONDITIONS	T _A [†]	MIN	TYP [‡]	MAX	UNIT	
t _{PLH} Propagation delay time, low- to high-level output	An	Bn	\overline{CS} at 0.8 V, V _L = 2 V, See Figure 2	25 °C			10	ns	
t _{PHL} Propagation delay time, high- to low-level output				Full range		40			
				25 °C			12		
				Full range			15		
t _{PLH} Propagation delay time, low- to high-level output	\overline{CS}	Bn	An and T/ \overline{R} at 2 V, V _L = 2 V, See Figure 2	25 °C			18	ns	
t _{PHL} Propagation delay time, high- to low-level output				Full range		30			
				25 °C			20		
				Full range			22		
t _{PLH} Propagation delay time, low- to high-level output	T/ \overline{R}	Bn	\overline{CS} at 0.8 V, V _L = 2 V, See Figure 3	25 °C			18	ns	
t _{PHL} Propagation delay time, high- to low-level output				Full range		37			
				25 °C			18		
				Full range			21		
t _{TLH} Transition time, low- to high-level output	An	Bn	\overline{CS} at 0.8 V, V _L = 2 V, See Figure 2	25 °C		1	3	8	ns
t _{THL} Transition time, high- to low-level output				Full range		1	3	10	
				25 °C					
				Full range					

[†]Full range is -55 °C to 125 °C.

[‡]Typical values are at V_{CC} = 5.

SN55ALS056, SN55ALS057 TRAPEZOIDAL-WAVEFORM INTERFACE BUS TRANSCEIVERS

switching characteristics over recommended ranges of operating free-air temperature and supply voltage (unless otherwise noted)

receiver

PARAMETER	FROM (INPUT)	TO (OUTPUT)	TEST CONDITIONS	T _A [†]	MIN	MAX	UNIT
t _{PLH} Propagation delay time, low- to high-level output	Bn	Rn	$\overline{R\overline{E}}$ at 0.8 V, $\overline{T\overline{E}}$ at 2 V, V _L = 5 V, S1 closed, See Figure 4	25°C		20	ns
				Full range		22	
t _{PHL} Propagation delay time, high- to low-level output				25°C		18	
				Full range		20	
t _{PLZ} Output disable time from low level	$\overline{R\overline{E}}$	Rn	Bn at 2 V, V _L = 5 V, S1 closed, See Figure 5	25°C		15	ns
				Full range		17	
t _{PZL} Output enable time to low level				25°C		13	
				Full range		14	
t _{PHZ} Output disable time from high level	$\overline{R\overline{E}}$	Rn	Bn at 0.8 V, $\overline{T\overline{E}}$ at 2 V, V _L = 0, S1 closed, See Figure 5	25°C		12	ns
				Full range		13	
t _{PZH} Output enable time to high-level				25°C		14	
				Full range		15	
t _{w(NR)} Receiver noise rejection pulse duration	Bn	Rn	V _L = 5 V, S1 closed, See Figure 6	25°C	4		ns
				Full range	2		

driver

PARAMETER	FROM (INPUT)	TO (OUTPUT)	TEST CONDITIONS	T _A [†]	MIN	TYP [‡]	MAX	UNIT
t _{PLH} Propagation delay time, low- to high-level output	Dn or En	Bn	$\overline{T\overline{E}}$ at 0.8 V, $\overline{R\overline{E}}$ at 2 V, V _L = 2 V, See Figure 2	25°C			10	ns
				Full range			27	
t _{PHL} Propagation delay time, high- to low-level output				25°C			12	
				Full range			15	
t _{PLH} Propagation delay time, low- to high-level output	TE	Bn	Dn, En, $\overline{R\overline{E}}$ at 2 V, V _L = 2 V, See Figure 2	25°C			10	ns
				Full range			27	
t _{PHL} Propagation delay time, high- to low-level output				25°C			17	
				Full range			19	
t _{TLH} Transition time, low- to high-level output	Dn or En	Bn	$\overline{R\overline{E}}$ at 2 V, V _L = 2 V, See Figure 2	25°C	1	3	8	ns
				Full range	1		33	
t _{THL} Transition time, high- to low-level output				25°C	1	3	10	
				Full range	1		13	

[†]Typical values are at V_{CC} = 5 V.

driver plus receiver

PARAMETER	FROM (INPUT)	TO (OUTPUT)	TEST CONDITIONS	T _A [†]	MIN	MAX	UNIT
t _{PLH} Propagation delay time, low- to high-level output	Dn	Rn	$\overline{R\overline{E}}$ at 0.8 V, $\overline{T\overline{E}}$ at 0.8 V, V _L = 2 V, See Figure 7 (Both loads are used)	25°C		25	ns
				Full range		35	
t _{PHL} Propagation delay time, high- to low-level output				25°C		25	
				Full range		35	

[†]Full range is -55°C to 125°C.

PARAMETER MEASUREMENT INFORMATION

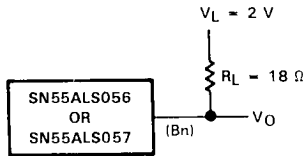
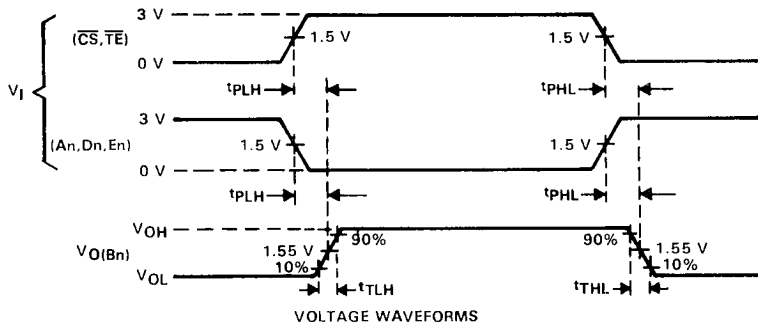
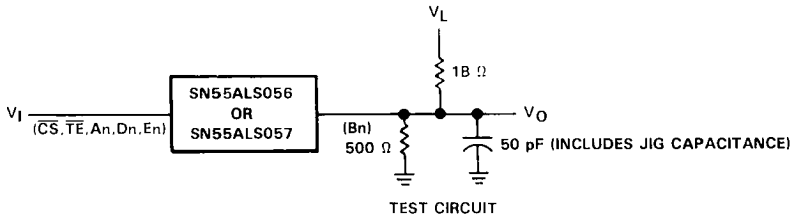


FIGURE 1. TEST CIRCUIT FOR DRIVER LOW-LEVEL OUTPUT VOLTAGE

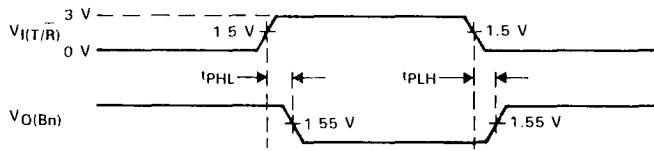
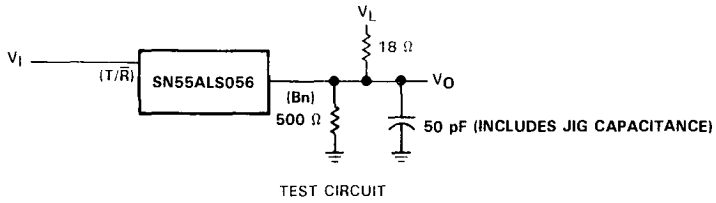


NOTE: $t_r = t_f \leq 5$ ns from 10% to 90%.

FIGURE 2. DRIVER PROPAGATION DELAY TIMES

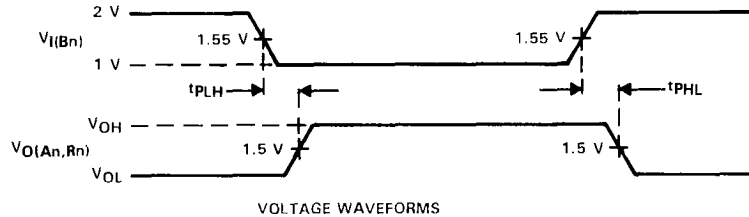
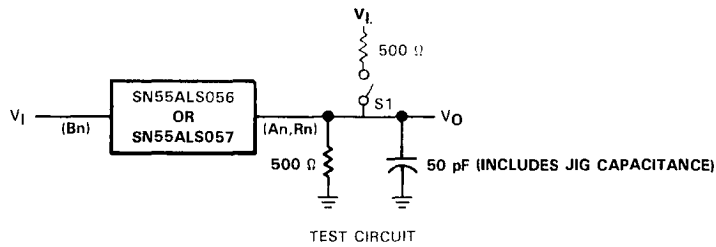
**SN55ALS056, SN55ALS057
TRAPEZOIDAL-WAVEFORM INTERFACE BUS TRANSCEIVERS**

PARAMETER MEASUREMENT INFORMATION



NOTE: $t_r = t_f \leq 5$ ns from 10% to 90%.

FIGURE 3. PROPAGATION DELAY FROM T/R TO Bn

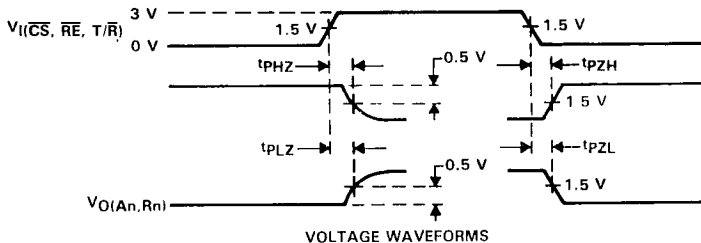
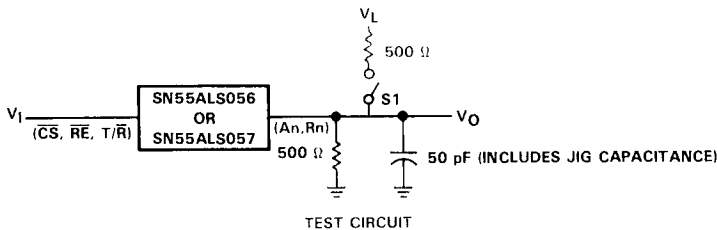


NOTE: $t_r = t_f \leq 10$ ns from 10% to 90%.

FIGURE 4. RECEIVER PROPAGATION DELAY TIMES

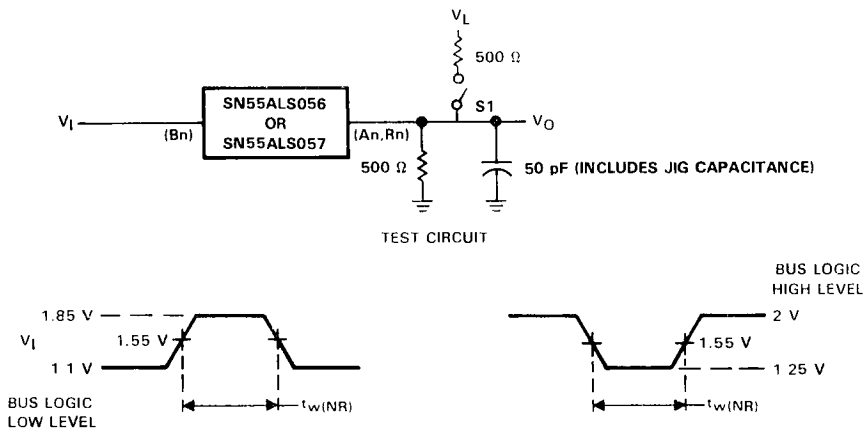
SN55ALS056, SN55ALS057 TRAPEZOIDAL-WAVEFORM INTERFACE BUS TRANSCEIVERS

PARAMETER MEASUREMENT INFORMATION



NOTE: $t_r = t_f \leq 5$ ns from 10% to 90%.

FIGURE 5. PROPAGATION DELAY FROM \overline{CS} OR $\overline{T/R}$ TO A_n OR FROM \overline{RE} TO R_n



t_w is increased until the output voltage fall just reaches 2.0 V. t_w is increased until the output voltage rise just reaches 0.8 V.

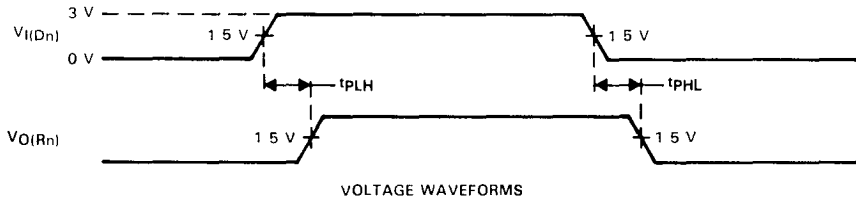
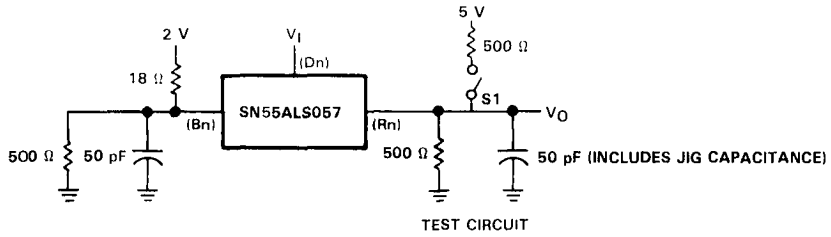
VOLTAGE WAVEFORMS

NOTE: $t_r = t_f \leq 2$ ns from 10% to 90%.

FIGURE 6. RECEIVER NOISE IMMUNITY

**SN55ALS056, SN55ALS057
TRAPEZOIDAL-WAVEFORM INTERFACE BUS TRANSCEIVERS**

PARAMETER MEASUREMENT INFORMATION



NOTE: $t_r = t_f \leq 5$ ns from 10% to 90%.

FIGURE 7. DRIVER PLUS RECEIVER DELAY TIMES

SN55ALS126, SN75ALS126 QUADRUPLE LINE DRIVERS

D2299, FEBRUARY 1986—REVISED OCTOBER 1989

- Meets IBM 360/370 I/O Interface Specification GA22-6974-3 (Also See SN55ALS130 and SN75ALS130)
- Minimum Output Voltage of 3.11 V at $I_{OH} = -60$ mA
- Fault Flag Circuit Output Signals Driver Output Fault
- Fault-Detection Current Limit Circuit Minimizes Power Dissipation During a Fault Condition
- Advanced Low-Power Schottky Circuitry
- Dual Common Enable
- Individual Fault Flags
- Designed to Be an Improved Replacement for the MC3481

description

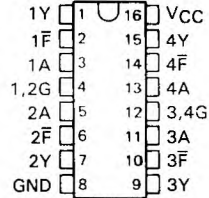
The SN55ALS126 and SN75ALS126 quadruple line drivers are designed to meet the IBM 360/370 I/O specification GA22-6974-3. The output voltage is 3.11 V minimum (at $I_{OH} = -59.3$ mA) over the recommended ranges of supply voltage (4.5 V to 5.95 V) and temperature. Driver outputs use a fault-detection current-limit circuit to allow high drive current but still minimize power dissipation when the output is shorted to ground. The SN55ALS126 and SN75ALS126 are compatible with standard TTL logic and supply voltages.

The SN55ALS126 and SN75ALS126 employ the IMPACT™ process to achieve fast switching speeds and low power dissipation. Fault-flag circuitry is designed to sense and signal a line short on any Y line. Upon detecting an output fault condition, the fault-flag circuit forces the driver output into a low state and signals a fault condition by causing the fault-flag output to go low.

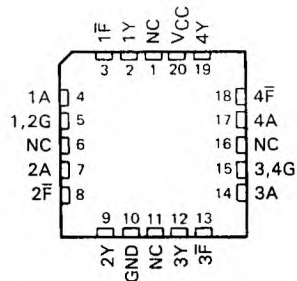
The SN55ALS126 and SN75ALS126 can drive a 50-Ω load as required in the IBM GA22-6974-3 specification or a 90-Ω load as used in many I/O systems. Optimum performance can be achieved when the devices are used with either the SN75125, SN75127, SN75128, or SN75129 line receivers.

The SN55ALS126 is characterized for operation from -55°C to 125°C, and the SN75ALS126 is characterized for operation from 0°C to 70°C.

SN55ALS126, SN75ALS126 . . . J PACKAGE
SN75ALS126 . . . D OR N PACKAGE
(TOP VIEW)



SN55ALS126 . . . FK PACKAGE
(TOP VIEW)



NC—No internal connection

FUNCTION TABLE

INPUTS		OUTPUTS	
G	A	Y	F
L	X	L	H
H	H	H	H
H	H	S	L

H = high level, L = low level,
X = irrelevant, S = shorted to
ground

IMPACT is a trademark of Texas Instruments Incorporated

PRODUCTION DATA documents contain information as of publication date. Products conform to specifications per the terms of Texas Instruments standard warranty. Production processing does not necessarily include testing of all parameters.

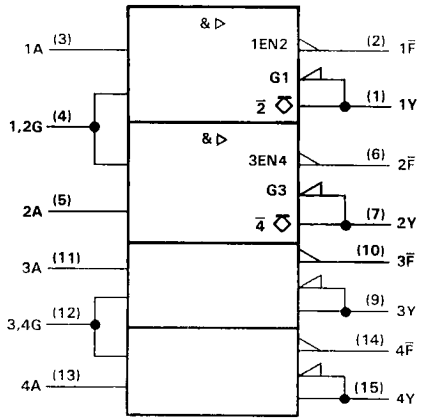
TEXAS
INSTRUMENTS

POST OFFICE BOX 655303 • DALLAS, TEXAS 75265

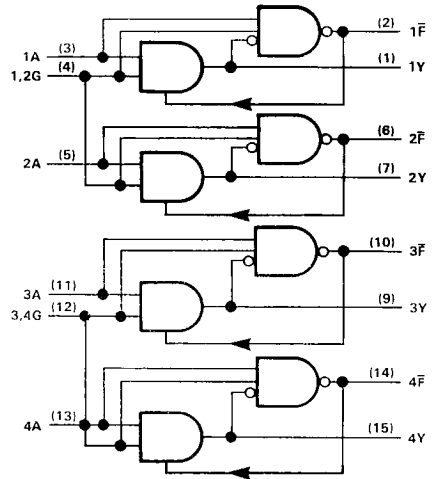
Copyright © 1989, Texas Instruments Incorporated

SN55ALS126, SN75ALS126 QUADRUPLE LINE DRIVERS

logic symbol†



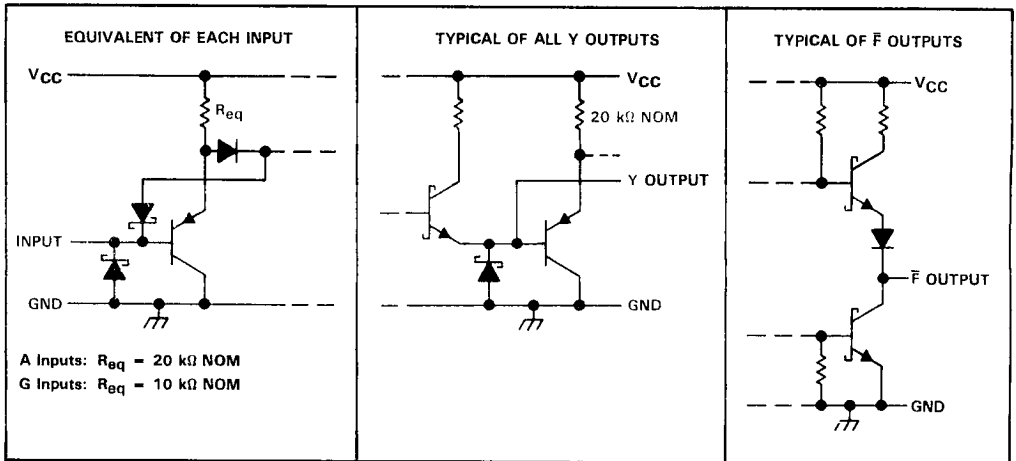
logic diagram (positive logic)



† This symbol is in accordance with ANSI/IEEE Std 91-1984 and IEC Publication 617-12.

Pin numbers shown are for D, J, and N packages.

schematics of inputs and outputs



SN55ALS126, SN75ALS126 QUADRUPLE LINE DRIVERS

absolute maximum ratings over operating free-air temperature range (unless otherwise noted)

Supply voltage, V_{CC}	7 V
Input voltage	7 V
Continuous total dissipation	See Dissipation Rating Table
Operating free-air temperature range: SN55ALS126	-55°C to 125°C
SN75ALS126	0°C to 70°C
Storage temperature range	-65°C to 150°C
Case temperature for 60 seconds: FK package	260°C
Lead temperature 1,6 mm (1/16 inch) from case for 10 seconds: D or N package	260°C
Lead temperature 1,6 mm (1/16 inch) from case for 60 seconds: J package	300°C

DISSIPATION RATING TABLE

PACKAGE	$T_A \leq 25^\circ\text{C}$	DERATING FACTOR	$T_A = 70^\circ\text{C}$	$T_A = 125^\circ\text{C}$
	POWER RATING	ABOVE $T_A = 25^\circ\text{C}$	POWER RATING	POWER RATING
D	950 mW	7.6 mW/°C	608 mW	N/A
FK	1375 mW	11.0 mW/°C	880 mW	275 mW
J (SN55ALS126)	1375 mW	11.0 mW/°C	880 mW	275 mW
J (SN75ALS126)	1025 mW	8.2 mW/°C	656 mW	N/A
N	1150 mW	9.2 mW/°C	736 mW	N/A

recommended operating conditions

	SN55ALS126			SN75ALS126			UNIT
	MIN	NOM	MAX	MIN	NOM	MAX	
Supply voltage, V_{CC}	4.5	5	6.95	4.5	5	5.95	V
High-level input voltage, V_{IH}	2			2			V
Low-level input voltage, V_{IL}	0.8			0.8			V
High-level output current, I_{OH}	-59.3			-59.3			mA
Operating free-air temperature, T_A	-55			70			°C

SN55ALS126, SN75ALS126 QUADRUPLE LINE DRIVERS

electrical characteristics over recommended operating free-air temperature range

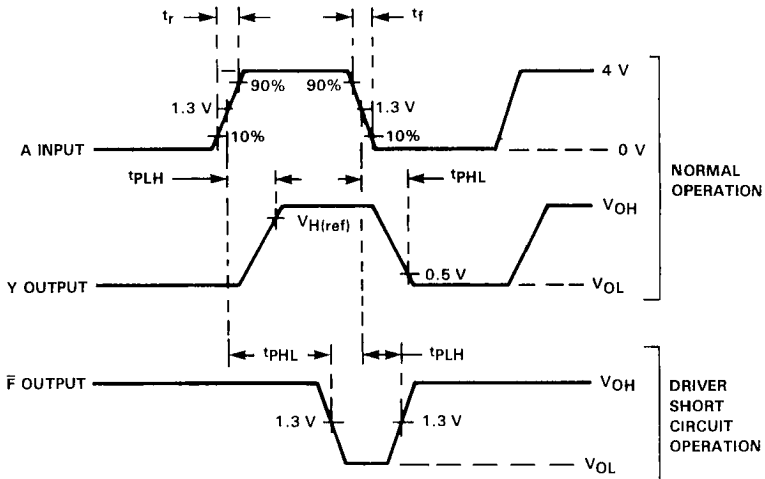
PARAMETER			TEST CONDITIONS	MIN	MAX	UNIT
V_{IK}	Input clamp voltage	A, G	$V_{CC} = 4.5 \text{ V}$, $I_I = -18 \text{ mA}$		-1.5	V
V_{OH}	High-level output voltage	Y	$V_{CC} = 4.5 \text{ V}$, $I_{OH} = -59.3 \text{ mA}$ $V_{IH} = 2 \text{ V}$	3.11		V
		Y	$V_{CC} = 5.25 \text{ V}$, $I_{OH} = -41 \text{ mA}$ $V_{IH} = 2 \text{ V}$	3.9		
		F	$V_{CC} = 4.5 \text{ V}$, $I_{OH} = -400 \mu\text{A}$ $V_{IH} = 2 \text{ V}$	2.5		
V_{OL}	Low-level output voltage	Y	$V_{CC} = 5.5 \text{ V}$, $I_{OL} = -240 \mu\text{A}$, $V_{IL} = 0.8 \text{ V}$		0.15	V
		Y	$V_{CC} = 5.95 \text{ V}$, $I_{OL} = -1 \text{ mA}$, $V_{IL} = 0.8 \text{ V}$		0.15	
		F	$V_{CC} = 4.5 \text{ V}$, $I_{OL} = 8 \text{ mA}$, Y at 0 V		0.5	
$I_{O(off)}$	Off-state output current	Y	$V_{CC} = 4.5 \text{ V}$, $V_I = 0$, $V_O = 3.11 \text{ V}$		100	μA
		Y	$V_{CC} = 0$, $V_I = 0$, $V_O = 3.11 \text{ V}$		200	
I_I	Input current	A	$V_{CC} = 4.5 \text{ V}$, $V_I = 5.5 \text{ V}$		100	μA
		G			400	
I_{IH}	High-level input current	A	$V_{CC} = 4.5 \text{ V}$, $V_I = 2.7 \text{ V}$		20	μA
		G			80	
I_{IL}	Low-level input current	A	$V_{CC} = 5.95 \text{ V}$, $V_I = 0.4 \text{ V}$		-250	μA
		G			-1000	
I_{OS}	Short-circuit output	Y	$V_{CC} = 5.5 \text{ V}$, $V_O = 0$, $V_{IH} = 2.7 \text{ V}$		-5	mA
		F	$V_{CC} = 5.5 \text{ V}$, $V_O = 0$	-15	-100	
		Y	$V_{CC} = 5.95 \text{ V}$, $V_O = 0$, $V_{IH} = 2.7 \text{ V}$		-5	
		F	$V_{CC} = 5.95 \text{ V}$, $V_O = 0$	-15	-110	
I_{CCH}	Supply current, all outputs high		$V_{CC} = 5.5 \text{ V}$, No load, $V_{IH} = 2.7 \text{ V}$		25	mA
			$V_{CC} = 5.95 \text{ V}$, No load, $V_{IH} = 2.7 \text{ V}$		27	
I_{CCL}	Supply current, Y outputs low		$V_{CC} = 5.5 \text{ V}$, No load, $V_{IL} = 0.4 \text{ V}$		45	mA
			$V_{CC} = 5.95 \text{ V}$, No load, $V_{IL} = 0.4 \text{ V}$		47	

switching characteristics over recommended operating free-air temperature range

PARAMETER	FROM	TO	TEST CONDITIONS	MIN	MAX	UNIT
t_{PLH}	A	Y	$V_{CC} = 4.5 \text{ V to } 5.5 \text{ V}$, $R_L = 50 \Omega$, $C_L = 50 \text{ pF}$, $V_{H(ref)} = 3.11 \text{ V}^\dagger$, See Figures 1 and 2		30	ns
t_{PHL}					28	ns
$\frac{t_{PLH}}{t_{PHL}}$					0.3	3
t_{PLH}	A	Y	$V_{CC} = 5.25 \text{ V to } 5.95 \text{ V}$, $R_L = 90 \Omega$, $C_L = 50 \text{ pF}$, $V_{H(ref)} = 3.9 \text{ V}$ See Figures 1 and 2		34	ns
t_{PHL}					34	ns
t_{PLH}	A	F	$V_{CC} = 5 \text{ V}$, $C_L = 15 \text{ pF}$, See Figures 1 and 2		45	ns
t_{PHL}					75	ns

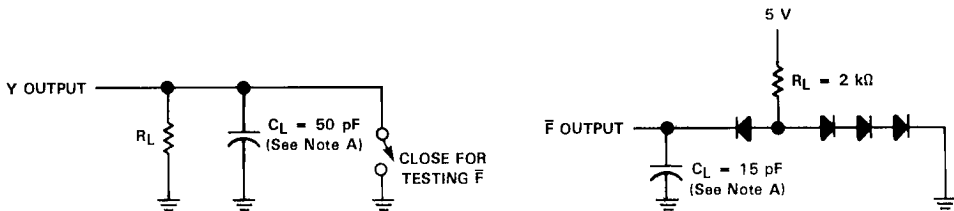
[†] For SN55ALS126 at $T_A = -55^\circ\text{C}$, $V_{H(ref)} = 2.5 \text{ V}$.

PARAMETER MEASUREMENT INFORMATION



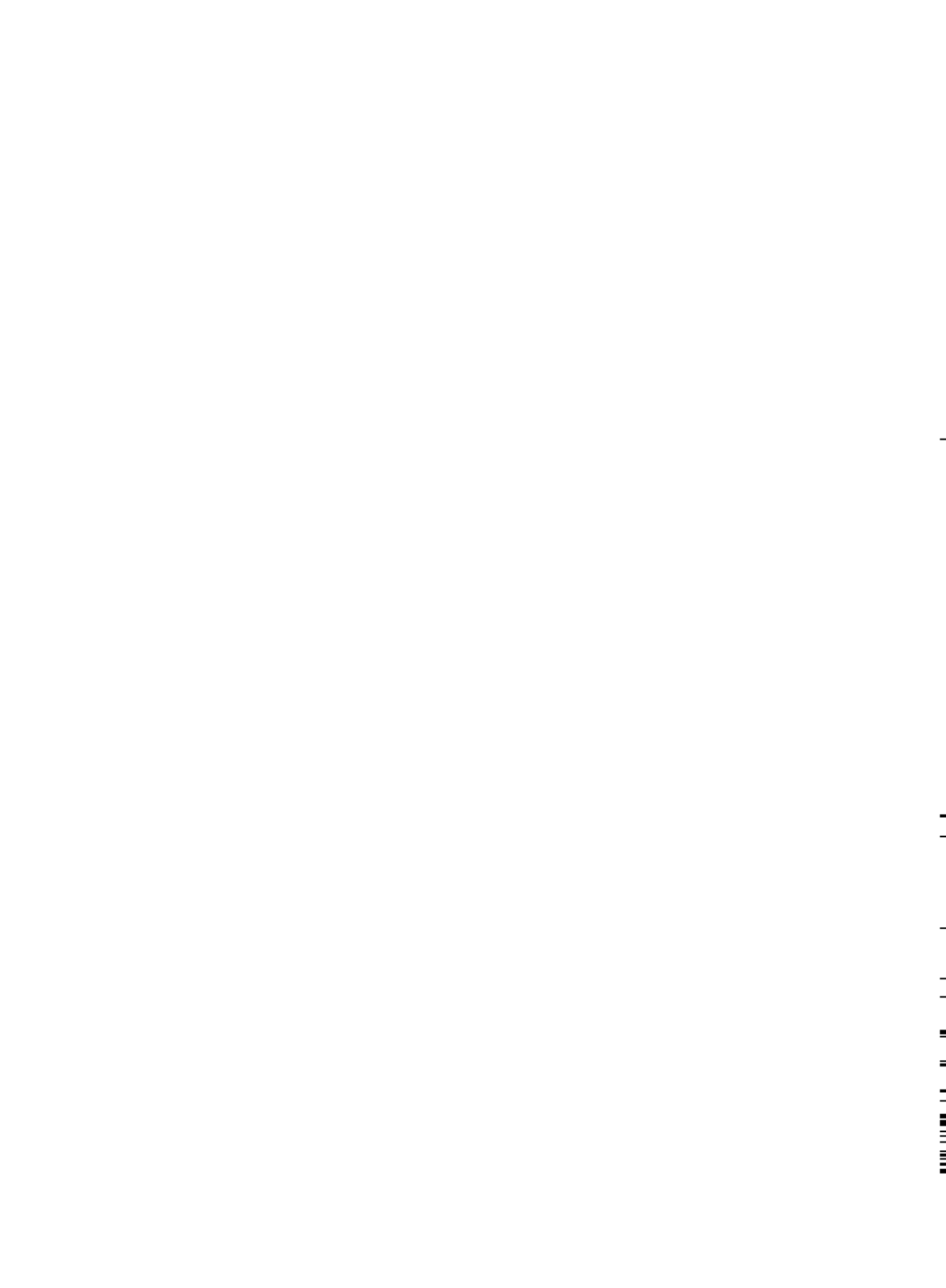
NOTE: The input pulse is supplied by a generator having the following characteristics: PRR \leq 1 MHz, duty cycle \leq 50%, $t_r \leq$ 6 ns, $t_f \leq$ 6 ns, $Z_{out} \approx$ 50 Ω .

FIGURE 1. INPUT AND OUTPUT VOLTAGE WAVEFORMS



NOTE A: C_L includes probe and stray capacitance.

FIGURE 2. SWITCHING CHARACTERISTICS LOAD CIRCUITS



SN55ALS130, SN75ALS130 QUADRUPLE LINE DRIVERS

D2299, FEBRUARY 1986—REVISED AUGUST 1989

- Meets IBM 360/370 I/O Interface Specification GA22-6974-3 (Also see SN55ALS126 and SN75ALS126)
- Minimum Output Voltage of 3.11 V at $I_{OH} = -60$ mA
- Fault-Flag Circuit Output Signals Driver Output Fault
- Fault-Detection Current Limit Circuit Minimizes Power Dissipation During a Fault Condition
- Advanced Low-Power Schottky Circuitry
- Common Enable and Common Fault Flag
- Designed to be an Improved Replacement for the MC3485

description

The SN55ALS130 and SN75ALS130 quadruple line drivers are designed to meet the IBM 360/370 I/O specification GA22-6974-3. The output voltage is 3.11 V minimum (at $I_{OH} = -59.3$ mA) over the recommended ranges of supply voltage (4.5 V to 5.95 V) and temperature. Driver outputs use a fault-detection current-limit circuit to allow high drive current but still minimize power dissipation when the output is shorted to ground. The SN55ALS130 and SN75ALS130 are compatible with standard TTL logic and supply voltages.

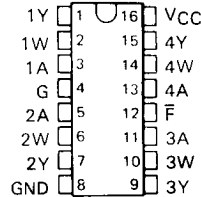
The SN55ALS130 and SN75ALS130 employ the IMPACT™ process to achieve fast switching speeds and low power dissipation. Fault-flag circuitry is designed to sense and signal a line short on any Y line. Upon detecting an output fault condition, the fault-flag circuit forces the driver output into a low state and signals a fault condition by causing the fault-flag output to go low.

The SN55ALS130 and SN75ALS130 can drive a 50- Ω load as required in the IBM GA22-6974-3 specification or a 90- Ω load as used in many I/O systems. Optimum performance can be achieved when the devices are used with either the SN75125, SN75127, SN75128, or SN75129 line receivers.

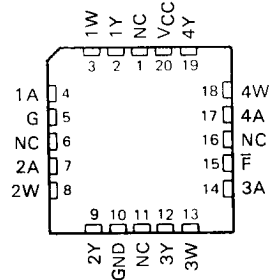
The SN55ALS130 is characterized for operation from -55°C to 125°C . The SN75ALS130 is characterized for operation from 0°C to 70°C .

IMPACT is a trademark of Texas Instruments Incorporated

SN55ALS130 . . . J PACKAGE
SN75ALS130 . . . D, J, OR N PACKAGE
(TOP VIEW)



SN55ALS130 . . . FK PACKAGE
(TOP VIEW)



NC—No internal connection

FUNCTION TABLE

INPUTS	OUTPUTS			
	G [†]	A	Y	F W
L	X	L	H	H
X	L	L	H	H
H	H	H	H	L
H	H	S	L	H

H = high level, L = low level, X = irrelevant, S = shorted to ground

[†]G and F are common to the four drivers. If any of the four Y outputs is shorted, the Fault-Flag will respond.

PRODUCTION DATA documents contain information current as of the date of issue. Products conform to specifications only when used in accordance with the standard warranty. Production processing does not necessarily include testing of all parameters.

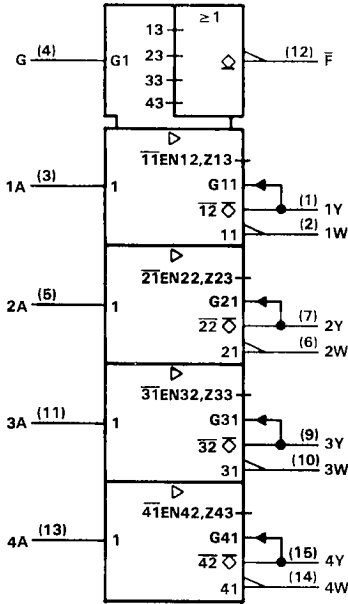
TEXAS
INSTRUMENTS

POST OFFICE BOX 655303 • DALLAS, TEXAS 75265

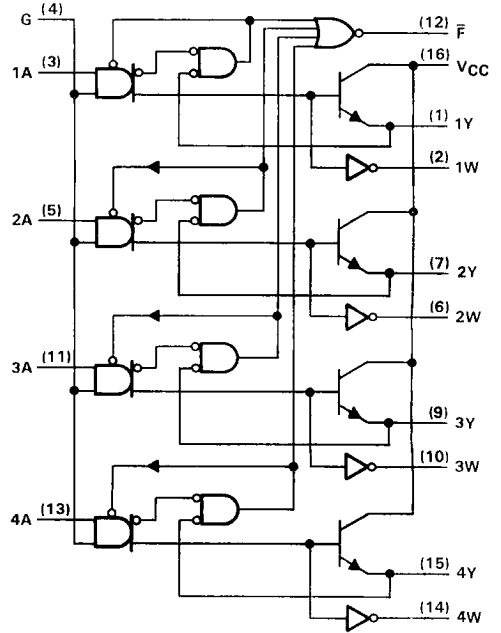
Copyright © 1989, Texas Instruments Incorporated

**SN55ALS130, SN75ALS130
QUADRUPLE LINE DRIVERS**

logic symbol†

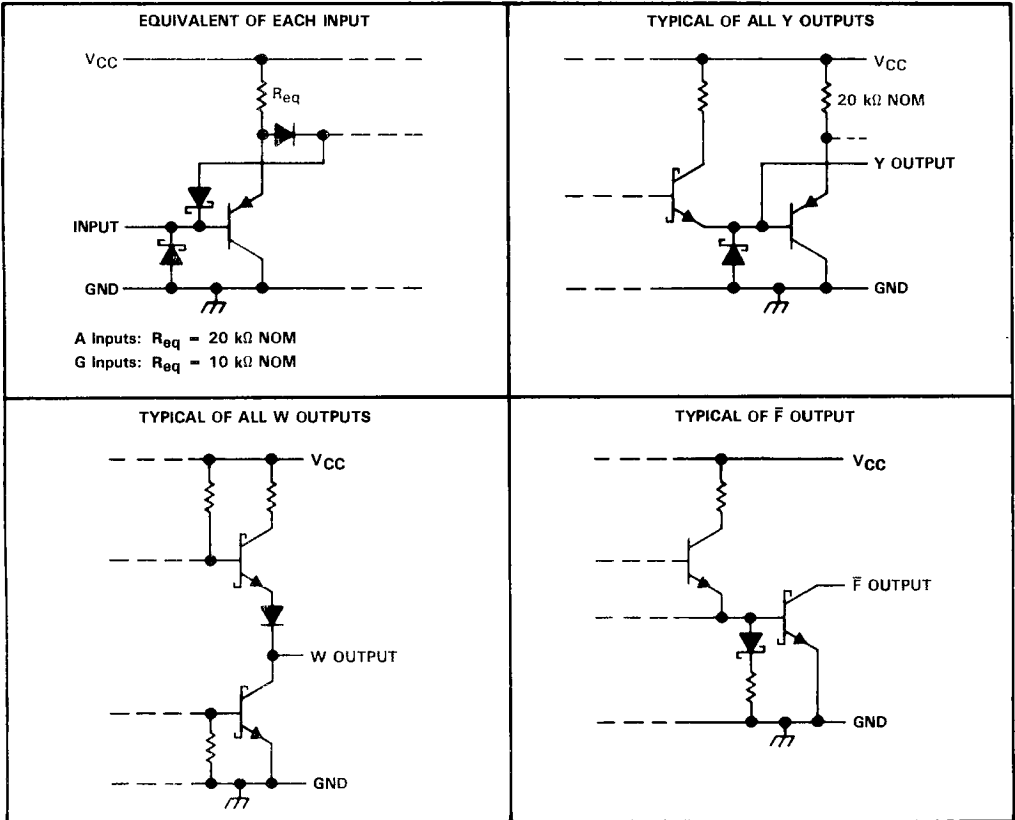


logic diagram (positive logic)



† This symbol is in accordance with ANSI/IEEE Std 91-1984 and IEC Publication 617-12. Pin numbers shown are for D, J, and N packages.

schematics of inputs and outputs



SN55ALS130, SN75ALS130 QUADRUPLE LINE DRIVERS

absolute maximum ratings over operating free-air temperature range (unless otherwise noted)

Supply voltage, V_{CC}	7 V
Input voltage	7 V
Continuous total dissipation	See Dissipation Rating Table
Operating free-air temperature range: SN55ALS130	-55°C to 125°C
SN75ALS130	0°C to 70°C
Storage temperature range	-65°C to 150°C
Case temperature for 60 seconds: FK package	260°C
Lead temperature 1,6 mm (1/16 inch) from case for 10 seconds: D or N package	260°C
Lead temperature 1,6 mm (1/16 inch) from case for 60 seconds: J package	300°C

DISSIPATION RATING TABLE

PACKAGE	$T_A \leq 25^\circ\text{C}$	DERATING FACTOR	$T_A = 70^\circ\text{C}$	$T_A = 125^\circ\text{C}$
	POWER RATING	ABOVE $T_A = 25^\circ\text{C}$	POWER RATING	POWER RATING
D	950 mW	7.6 mW/°C	mW	N/A
FK	1375 mW	11.0 mW/°C	880 mW	275 mW
J (SN55ALS130)	1375 mW	11.0 mW/°C	880 mW	275 mW
J (SN75ALS130)	1025 mW	8.2 mW/°C	656 mW	N/A
N	1150 mW	9.2 mW/°C	736 mW	N/A

recommended operating conditions

	SN55ALS130			SN75ALS130			UNIT
	MIN	TYP	MAX	MIN	TYP	MAX	
Supply voltage, V_{CC}	4.5		5.95	4.5		5.95	V
High-level input voltage, V_{IH}	2			2			V
Low-level input voltage, V_{IL}			0.8			0.8	V
High-level output current, I_{OH}							mA
Operating free-air temperature, T_A	-55			0			°C

electrical characteristics over recommended operating free-air temperature range

PARAMETER		TEST CONDITIONS		MIN	MAX	UNIT
V_{IK}	Input clamp voltage	A, G	$V_{CC} = 4.5\text{ V}$, $I_I = -18\text{ mA}$		-1.5	V
V_{OH}	High-level output voltage	Y	$V_{CC} = 4.5\text{ V}$, $I_{OH} = -59.3\text{ mA}$, $V_{IH} = 2\text{ V}$	3.11		V
		Y	$V_{CC} = 5.25\text{ V}$, $I_{OH} = -41\text{ mA}$, $V_{IH} = 2\text{ V}$	3.9		
		W	$V_{CC} = 4.5\text{ V}$, $I_{OH} = -400\text{ }\mu\text{A}$, $V_{IH} = 2\text{ V}$	2.5		
V_{OL}	Low-level output voltage	Y	$V_{CC} = 5.5\text{ V}$, $I_{OL} = -240\text{ }\mu\text{A}$, $V_{IL} = 0.8\text{ V}$		0.15	V
		Y	$V_{CC} = 5.95\text{ V}$, $I_{OL} = -1\text{ mA}$, $V_{IL} = 0.8\text{ V}$		0.15	
		F	$V_{CC} = 4.5\text{ V}$, $I_{OL} = 8\text{ mA}$, Y at 0 V		0.5	
		W	$V_{CC} = 4.5\text{ V}$, $I_{OL} = 8\text{ mA}$		0.5	
		Y	$V_{CC} = 4.5\text{ V}$, $V_{IL} = 0$, $V_O = 3.11\text{ V}$		100	
$I_{O(off)}$	Off-state output current	Y	$V_{CC} = 0$, $V_{IL} = 0$, $V_O = 3.11\text{ V}$		200	μA
I_{OH}	High-level output current	F	$V_{CC} = 5.95\text{ V}$, $V_{OH} = 5.95\text{ V}$		100	μA
I_I	Input current	A	$V_{CC} = 4.5\text{ V}$, $V_{IH} = 5.5\text{ V}$		100	μA
		G			400	
I_{IH}	High-level input current	A	$V_{CC} = 4.5\text{ V}$, $V_{IH} = 2.7\text{ V}$		20	μA
		G			80	
I_{IL}	Low-level input current	A	$V_{CC} = 5.95\text{ V}$, $V_{IL} = 0.4\text{ V}$		250	μA
		G			-1000	
I_{OS}	Short-circuit output	Y	$V_{CC} = 5.5\text{ V}$, $V_O = 0$, $V_{IH} = 2.7\text{ V}$		-5	mA
		W	$V_{CC} = 5.5\text{ V}$, $V_O = 0$	-15	-100	
		Y	$V_{CC} = 5.95\text{ V}$, $V_O = 0$, $V_{IH} = 2.7\text{ V}$		-5	
		W	$V_{CC} = 5.95\text{ V}$, $V_O = 0$	-15	-110	
I_{CCH}	Supply current, all outputs high		$V_{CC} = 5.5\text{ V}$, No load, $V_{IH} = 2.7\text{ V}$		30	mA
			$V_{CC} = 5.95\text{ V}$, No load, $V_{IH} = 2.7\text{ V}$		32	
I_{CCL}	Supply current, Y outputs low		$V_{CC} = 5.5\text{ V}$, No load, $V_{IL} = 0.4\text{ V}$		45	mA
			$V_{CC} = 5.95\text{ V}$, No load, $V_{IL} = 0.4\text{ V}$		47	

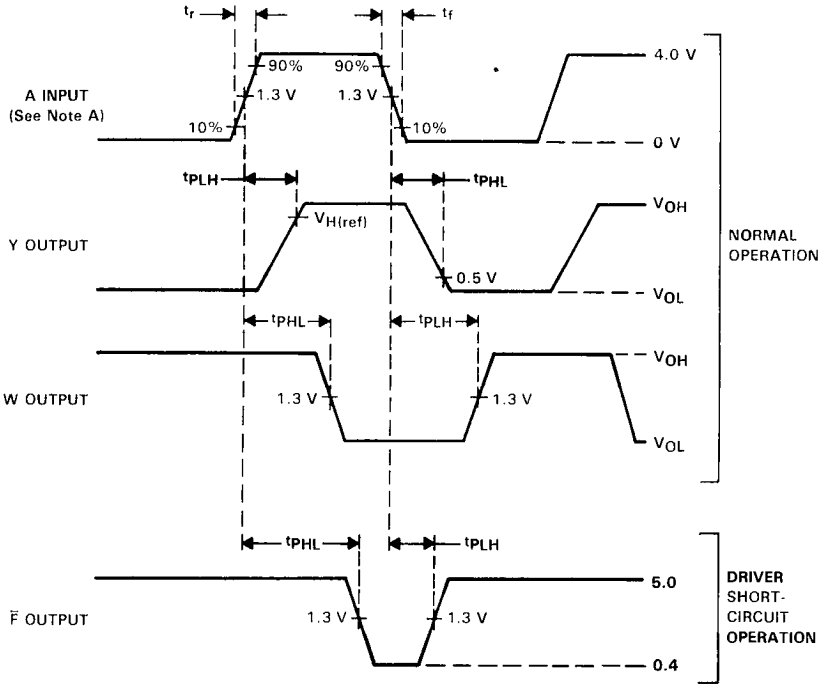
switching characteristics over recommended operating free-air temperature range

PARAMETER	FROM	TO	TEST CONDITIONS	MIN	MAX	UNIT
t_{PLH}	A	Y	$V_{CC} = 4.5\text{ V to } 5.5\text{ V}$, $R_L = 50\text{ }\Omega$, $C_L = 50\text{ pF}$, $V_{H(ref)} = 3.11\text{ V}^{\dagger}$, Input f = 1 MHz, See Figures 1 and 2		30	ns
t_{PHL}					28	ns
$\frac{t_{PLH}}{t_{PHL}}$					0.3	3
t_{PLH}	A	Y	$V_{CC} = 5.25\text{ V to } 5.95\text{ V}$, $R_L = 90\text{ }\Omega$, $C_L = 50\text{ pF}$, $V_{H(ref)} = 3.9\text{ V}$, Input f = 5 MHz, See Figures 1 and 2		34	ns
t_{PHL}					34	ns
t_{PLH}	A	W	$V_{CC} = 5\text{ V}$, $R_L = 2\text{ k}\Omega$, $C_L = 15\text{ pF}$, See Figures 1 and 2		34	ns
t_{PHL}					21	ns
t_{PLH}	A	F	$V_{CC} = 5\text{ V}$, $R_L = 2\text{ k}\Omega$, $C_L = 15\text{ pF}$, See Figures 1 and 2		45	ns
t_{PHL}					75	ns

[†] For SN55ALS130 at $T_A = -55\text{ }^{\circ}\text{C}$, $V_{H(ref)} = 2.5\text{ V}$.

**SN55ALS130, SN75ALS130
QUADRUPLE LINE DRIVERS**

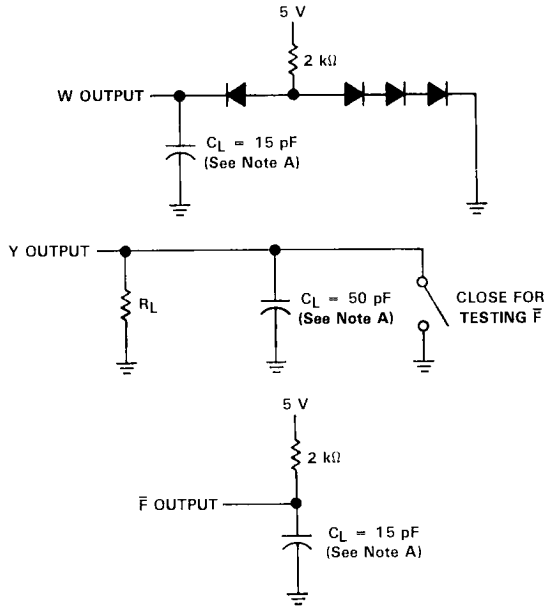
PARAMETER MEASUREMENT INFORMATION



NOTE A: The input pulse is supplied by a generator having the following characteristics: PRR \leq 1 MHz, duty cycle \leq 50%, $t_r \leq$ 6 ns, $t_f \leq$ 6 ns, $Z_{out} \approx$ 50 Ω .

FIGURE 1. INPUT AND OUTPUT VOLTAGE WAVEFORMS

PARAMETER MEASUREMENT INFORMATION



NOTE A: C_L includes probe and stray capacitance.

FIGURE 2. SWITCHING CHARACTERISTICS LOAD CIRCUITS



SN55ALS160 OCTAL GENERAL-PURPOSE INTERFACE BUS TRANSCEIVER

D3276, APRIL 1989

SUITABLE FOR IEEE STANDARD 488-1978 (GPIB)[†]

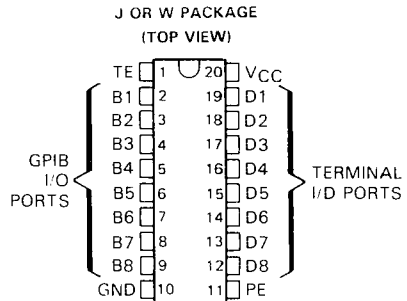
- 8-Channel Bidirectional Transceiver
- High-Speed Advanced Low-Power Schottky Circuitry
- Low Power Dissipation . . . 56 mW Max per Channel
- Fast Propagation Times . . . 20 ns Max
- High-Impedance P-N-P Inputs
- Receiver Hysteresis . . . 550 mV Typ
- Open-Collector Driver Output Option
- No Loading of Bus When Device Is Powered Down ($V_{CC} = 0$)
- Power-Up/Power-Down Protection (Glitch-Free)

description

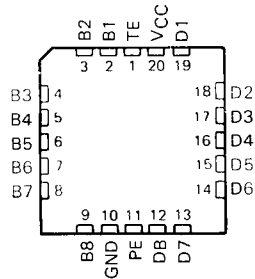
The SN55ALS160 eight-channel general-purpose interface bus transceiver is a monolithic, high-speed, Advanced Low-Power Schottky device designed for two-way data communications over single-ended transmission lines. The transceiver features driver outputs that can be operated in either the passive-pullup or three-state mode. If Talk Enable (TE) is high, these ports have the characteristics of passive-pullup outputs when Pullup Enable (PE) is low and of three-state outputs when PE is high. Taking TE low places these ports in the high-impedance state. The driver outputs are designed to handle loads up to 48 mA of sink current.

An active turn-off feature has been incorporated into the bus-terminating resistors so that the device exhibits a high impedance to the bus when $V_{CC} = 0$. When combined with the SN55ALS161 management bus transceiver, the device provides the complete 16-wire interface for the IEEE 488 bus.

The SN55ALS160 is characterized for operation from -55°C to 125°C .



FK PACKAGE
(TOP VIEW)



FUNCTION TABLES

EACH DRIVER				EACH RECEIVER			
INPUTS			OUTPUT	INPUTS			OUTPUT
D	TE	PE	B	B	TE	PE	D
H	H	H	H	L	L	X	L
L	H	X	L	H	L	X	H
H	X	L	Z [†]	X	H	X	Z
X	L	X	Z [†]				

H = high level, L = low level, X = irrelevant,
Z = high-impedance state.

[†] This is the high-impedance state of a normal 3-state output modified by the internal resistors to V_{CC} and ground.

[†] The transceivers are suitable for IEEE Standard 896 applications to the extent of the operating conditions and characteristics specified in this data sheet. Certain limits contained in the IEEE specification are not met or cannot be tested over the entire military temperature range.

INFORMATION CONTAINED HEREIN IS UNCLASSIFIED EXCEPT WHERE SHOWN OTHERWISE. THIS DOCUMENT IS THE PROPERTY OF TEXAS INSTRUMENTS INCORPORATED. IT IS LOANED TO YOUR ORGANIZATION AND IS NOT TO BE REPRODUCED OR TRANSMITTED IN ANY FORM OR BY ANY MEANS, ELECTRONIC OR MECHANICAL, INCLUDING PHOTOCOPYING, RECORDING, OR BY ANY INFORMATION STORAGE AND RETRIEVAL SYSTEM, WITHOUT PERMISSION IN WRITING FROM TEXAS INSTRUMENTS INCORPORATED. PRODUCTION PROCESSING DOES NOT NECESSARILY INCLUDE TESTING OF ALL PARAMETERS.

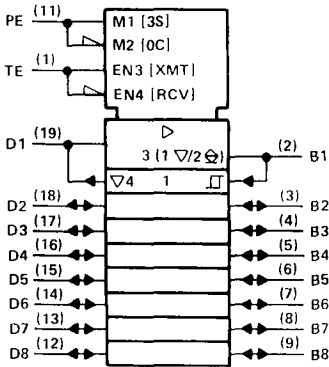


POST OFFICE BOX 655303 • DALLAS, TEXAS 75265

Copyright © 1989, Texas Instruments Incorporated

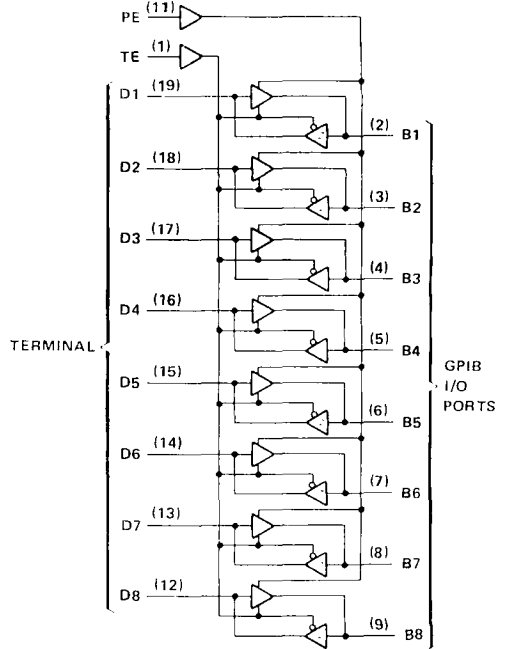
SN55ALS160 OCTAL GENERAL-PURPOSE INTERFACE BUS TRANSCEIVER

logic symbol†

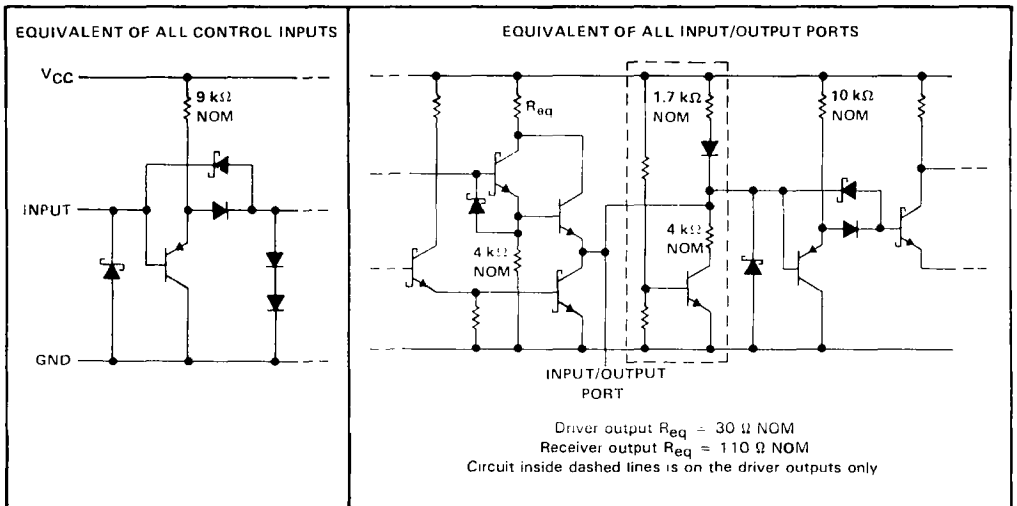


† This symbol is in accordance with ANSI/IEEE Std 91-1984 and IEC Publication 617-12.

logic diagram (positive logic)



schematics of inputs and outputs



SN55ALS160

OCTAL GENERAL-PURPOSE INTERFACE BUS TRANSCEIVER

absolute maximum ratings over operating free-air temperature range (unless otherwise noted)

Supply voltage, V_{CC} (see Note 1)	7 V
Input voltage	5.5 V
Low-level driver output current	100 mA
Low-level output current	50 mA
Continuous total dissipation at (or below) 25°C free-air temperature (see Note 2):	1375 mW
Operating free-air temperature range	-55°C to 125°C
Storage temperature range	-65°C to 150°C
Lead temperature 1,6 mm (1/16 inch) from the case for 60 seconds: J or W package	300°C
Case temperature for 60 seconds: FK package	260°C

- NOTES: 1. All voltage values are with respect to network ground terminal.
 2. For operation above 25°C free-air temperature, derate to 275 mW at 125°C at the rate of 11.0 mW/°C.

recommended operating conditions

		MIN	NOM	MAX	UNIT
Supply voltage, V_{CC}		4.75	5	5.25	V
High-level input voltage, V_{IH}	TE and PE at $T_A = -55^\circ\text{C}$ to 125°C	2			V
	Bus and terminal at $T_A = 25^\circ\text{C}$ or 125°C	2			
	Bus and terminal at $T_A = -55^\circ\text{C}$	2.1			
Low-level input voltage, V_{IL}	TE and PE at $T_A = -55^\circ\text{C}$ to 125°C	0.8			V
	Bus and terminal at $T_A = 25^\circ\text{C}$ or -55°C	0.8			
	Bus and terminal at $T_A = 125^\circ\text{C}$	0.7			
High-level output current, I_{OH}	Bus ports with pullups active ($V_{CC} = 5\text{ V}$)	-5.2			mA
	Terminal ports	-800			μA
Low-level output current, I_{OL}	Bus ports	48			mA
	Terminal ports	16			
Operating free-air temperature, T_A		-55		125	°C

SN55ALS160

OCTAL GENERAL-PURPOSE INTERFACE BUS TRANSCEIVER

electrical characteristics over recommended operating free-air temperature range (unless otherwise noted)

PARAMETER		TEST CONDITIONS		MIN	TYP†	MAX	UNIT
V_{IK}	Input clamp voltage	$V_{CC} = 4.75 \text{ V}$, $I_I = -18 \text{ mA}$			-0.8	-1.5	V
V_{hys}	Hysteresis ($V_{T+} - V_{T-}$)	Bus	$V_{CC} = 5 \text{ V}$, $T_A = 25^\circ\text{C}$	0.4	0.55		V
			$V_{CC} = 5 \text{ V}$, $T_A = 125^\circ\text{C}$	0.25			
			$V_{CC} = 5 \text{ V}$, $T_A = -55^\circ\text{C}$	0.4			
V_{OH}	High-level output voltage	Terminal	$V_{CC} = 4.75 \text{ V}$, $I_{OH} = -800 \mu\text{A}$, TE at 0.8 V	2.7	3.5		V
		Bus	$V_{CC} = 5 \text{ V}$, $I_{OH} = -5.2 \text{ mA}$, PE and TE at 2 V	2.5	3.3		
			$V_{CC} = 4.75 \text{ V}$, $I_{OH} = -5.2 \text{ mA}$, PE and TE at 2 V	2.2			
V_{OL}	Low-level output voltage	Terminal	$V_{CC} = 4.75 \text{ V}$, $I_{OL} = 16 \text{ mA}$, TE at 0.8 V	0.3	0.5		V
		Bus	$V_{CC} = 4.75 \text{ V}$, $I_{OL} = 48 \text{ mA}$, TE at 2 V, $T_A = 25^\circ\text{C}$ or 125°C	0.35	0.5		
			$V_{CC} = 4.75 \text{ V}$, $I_{OL} = 48 \text{ mA}$, TE at 2 V, $T_A = -55^\circ\text{C}$	0.35	0.55		
I_I	Input current at maximum input voltage	Terminal	$V_{CC} = 5.25 \text{ V}$, $V_I = 5.5 \text{ V}$	0.2	100		μA
I_{IH}	High-level input current	Terminal, PE, or TE	$V_{CC} = 5.25 \text{ V}$, $V_I = 2.7 \text{ V}$	0.1	20		μA
I_{IL}	Low-level input current		$V_{CC} = 5.25 \text{ V}$, $V_I = 0.5 \text{ V}$	-30	-100		μA
$V_{I(O)(bus)}$	Voltage at bus port	$V_{CC} = 5 \text{ V}$, Driver disabled	$I_I(bus) = 0$ $I_I(bus) = -12 \text{ mA}$	2.5	3.0	3.7 -1.5	V
$I_{I/O}(bus)$	Current into bus port	Power on	$V_{CC} = 5 \text{ V}$, Driver disabled	$V_I(bus) = -1.5 \text{ V to } 0.4 \text{ V}$	-1.3		mA
				$V_I(bus) = 0.4 \text{ V to } 2.5 \text{ V}$	0	-3.2	
				$V_I(bus) = 2.5 \text{ V to } 3.7 \text{ V}$		2.5	
				$V_I(bus) = 3.7 \text{ V to } 5 \text{ V}$	0	2.5	
				$V_I(bus) = 5 \text{ V to } 5.5 \text{ V}$	0.7	2.5	
	Power off	$V_{CC} = 0$	$V_I(bus) = 0 \text{ to } 2.5 \text{ V}$		40		μA
I_{OS}	Short-circuit output current	Terminal	$V_{CC} = 5.25 \text{ V}$	-15	-35	-75	mA
		Bus		-25	-50	-125	
I_{CC}	Supply current	$V_{CC} = 5.25 \text{ V}$, No load	Terminal outputs low and enabled Bus outputs low and enabled	42	56		mA
$C_{i(O)(bus)}$	Bus-port capacitance	$V_{CC} = 5 \text{ V to } 0$, $V_{I/O} = 0 \text{ to } 2 \text{ V}$, $f = 1 \text{ MHz}$		52	85		

† All typical values are at $V_{CC} = 5 \text{ V}$, $T_A = 25^\circ\text{C}$.

SN55ALS160

OCTAL GENERAL-PURPOSE INTERFACE BUS TRANSCEIVER

switching characteristics at $V_{CC} = 4.75\text{ V}$, 5 V , and 5.25 V and $C_L = 50\text{ pF}$ (unless otherwise noted)

PARAMETER	FROM (INPUT)	TO (OUTPUT)	TEST CONDITIONS	T_A [†]	MIN	TYP [‡]	MAX	UNIT
t_{PLH} Propagation delay time, low- to high-level output	Terminal	Bus	See Figure 1	25°C		10	17	ns
				Full range			20	
t_{PHL} Propagation delay time, high- to low-level output	Terminal	Bus	See Figure 1	25°C		10	14	ns
				Full range			16	
t_{PLH} Propagation delay time, low- to high-level output	Bus	Terminal	See Figure 2	25°C		8	15	ns
				Full range			18	
t_{PHL} Propagation delay time, high- to low-level output	Bus	Terminal	See Figure 2	25°C		8	15	ns
				Full range			18	
t_{PZH} Output enable time to high level	TE	Bus	See Figure 3	25°C		24	30	ns
				Full range			41	
t_{PHZ} Output disable time from high level	TE	Bus	See Figure 3	25°C		9	14	ns
				Full range			16	
t_{PZL} Output enable time to low level	TE	Bus	See Figure 3	2		16	28	ns
				Full range			34	
t_{PLZ} Output disable time from low level	TE	Bus	See Figure 3	25°C		12	19	ns
				Full range			24	
t_{PZH} Output enable time to high level	TE	Terminal	See Figure 4	25°C		24	36	ns
				Full range			50	
t_{PHZ} Output disable time from high level	TE	Terminal	See Figure 4	25°C		10	18	ns
				Full range			23	
t_{PZL} Output enable time to low level	TE	Terminal	See Figure 4	2		15	26	ns
				Full range			30	
t_{PLZ} Output disable time from low level	TE	Terminal	See Figure 4	25°C		15	24	ns
				Full range			31	
t_{en} Output pullup enable time	PE	Bus	See Figure 5	25°C		16	24	ns
				Full range			25	
t_{dis} Output pullup disable time	PE	Bus	See Figure 5	2		9	16	ns
				Full range			20	

[†]Full range is -55°C to 125°C.

[‡]All typical values are at $V_{CC} = 5\text{ V}$.

SN55ALS160
OCTAL GENERAL-PURPOSE INTERFACE BUS TRANSCEIVER

PARAMETER MEASUREMENT INFORMATION

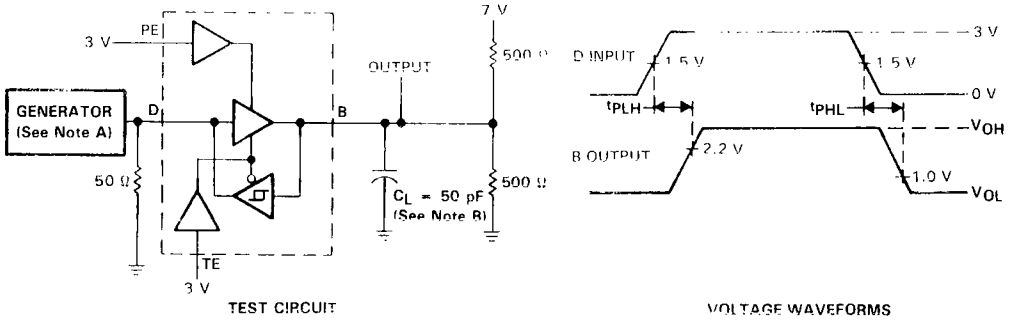


FIGURE 1. TERMINAL-TO-BUS PROPAGATION DELAY TIMES

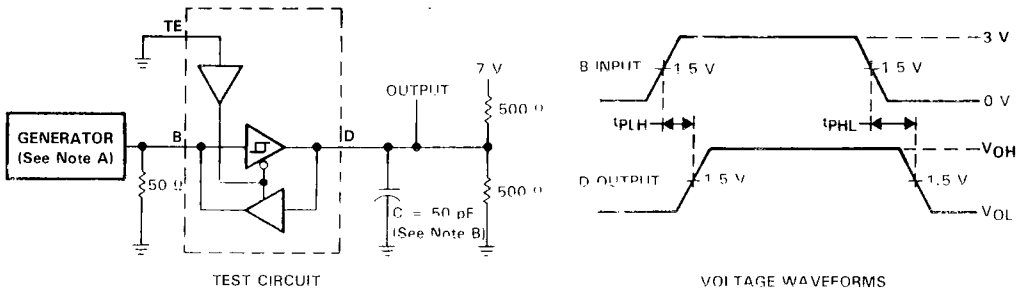


FIGURE 2. BUS-TO-TERMINAL PROPAGATION DELAY TIMES

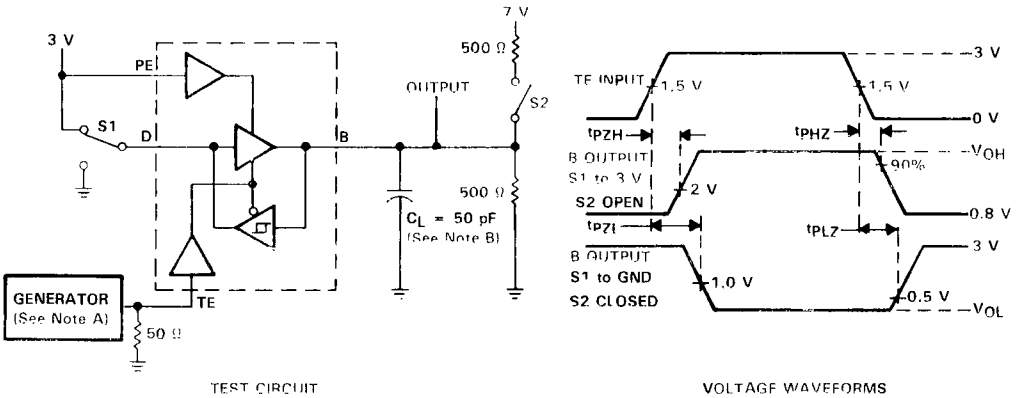


FIGURE 3. TE-TO-BUS ENABLE AND DISABLE TIMES

NOTES: A. The input pulse is supplied by a generator having the following characteristics: PRR \leq MHz, 50% duty cycle, $t_r \leq 6$ ns, $t_f \leq 5$ ns, $Z_o = 50 \Omega$.
 B. C_L includes probe and jig capacitance.

PARAMETER MEASUREMENT INFORMATION

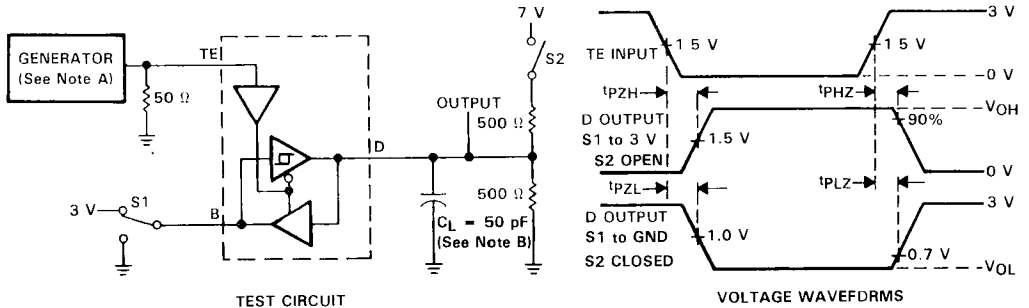


FIGURE 4. TE-TO-TERMINAL ENABLE AND DISABLE TIMES

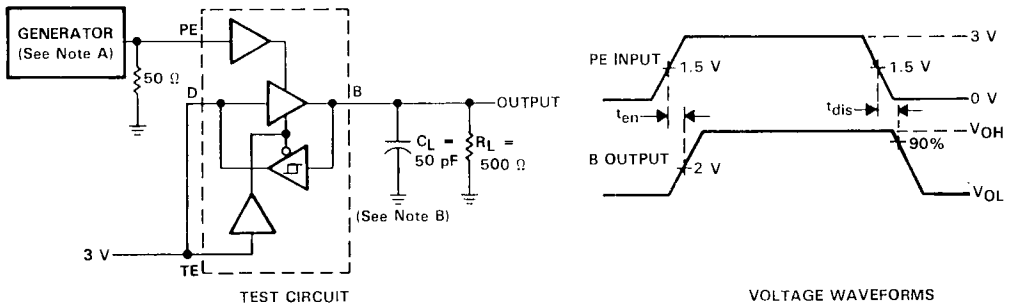


FIGURE 5. PE-TO-BUS PULLUP ENABLE AND DISABLE TIMES

- NOTES: A. The input pulse is supplied by a generator having the following characteristics: PRR \leq MHz, 50% duty cycle, $t_r \leq 6$ ns, $t_f \leq 5$ ns, $Z_0 = 50 \Omega$.
 B. C_L includes probe and jig capacitance.

SN55ALS160
OCTAL GENERAL-PURPOSE INTERFACE BUS TRANSCEIVER

TYPICAL CHARACTERISTICS

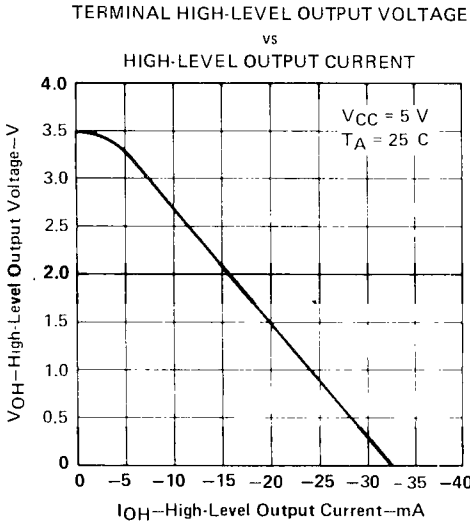


FIGURE 6

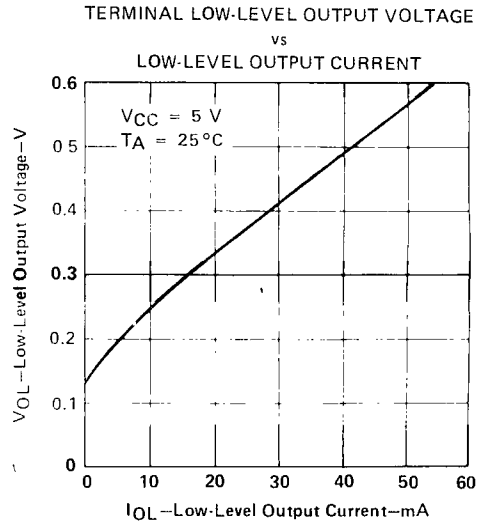


FIGURE 7

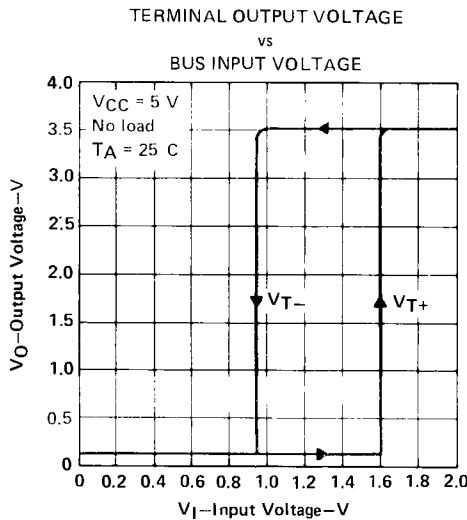
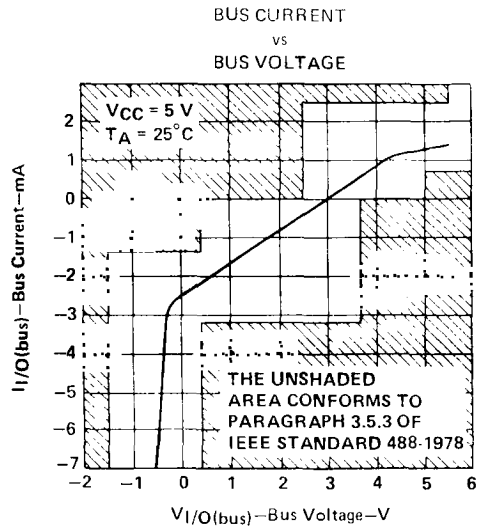
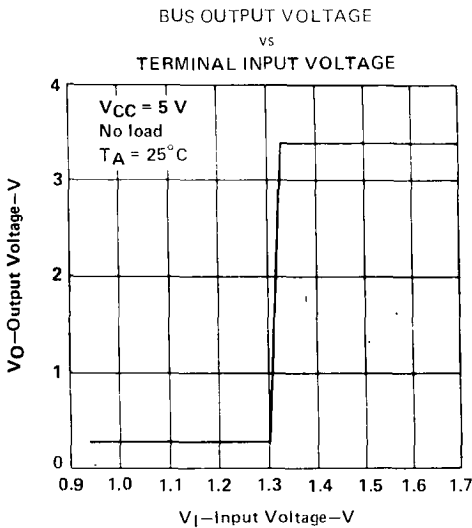
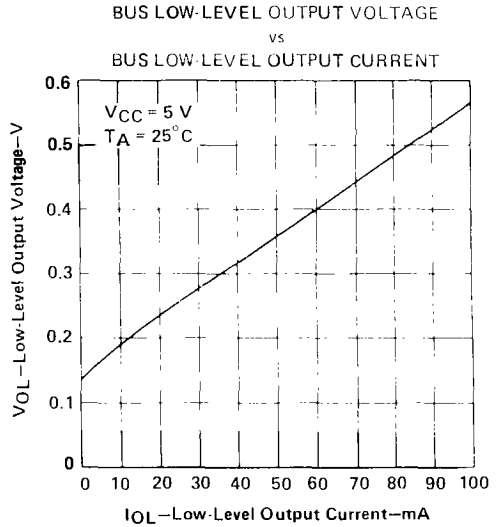
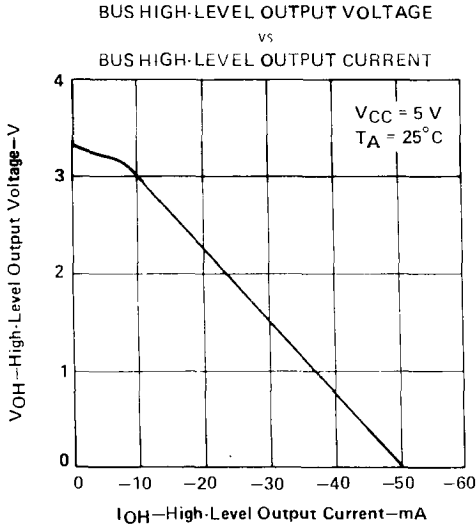
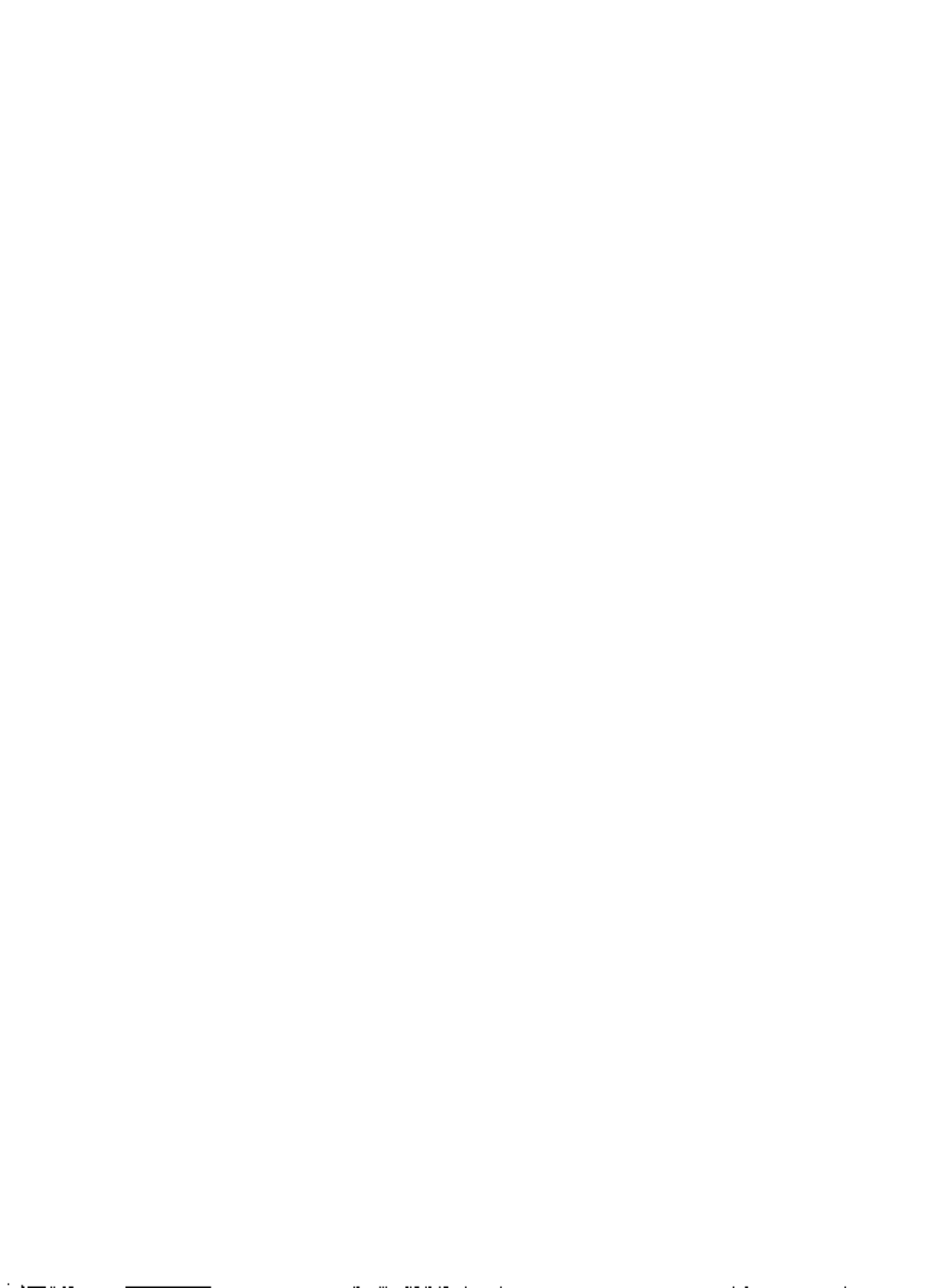


FIGURE 8

TYPICAL CHARACTERISTICS





SN55ALS161 OCTAL GENERAL-PURPOSE INTERFACE BUS TRANSCEIVER

D3277, APRIL 1989

SUITABLE FOR IEEE STANDARD 488-1978 (GPIB) APPLICATIONS†

- 8-Channel Bidirectional Transceiver
- Designed to Implement Control Bus Interface
- Designed for Single Controller
- High-Speed Advanced Low Power Schottky Circuitry
- Low Power Dissipation . . . 59 mW Max per Channel
- Fast Propagation Times . . . 25 ns Max
- High-Impedance P-N-P Inputs
- Receiver Hysteresis . . . 550 mV Typ
- Bus-Terminating Resistors Provided on Driver Outputs
- No Loading of Bus When Device Is Powered Down ($V_{CC} = 0$)
- Power-Up/Power-Down Protection (Glitch-Free)

description

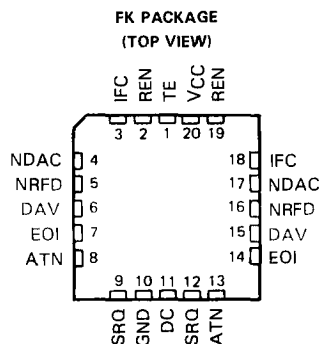
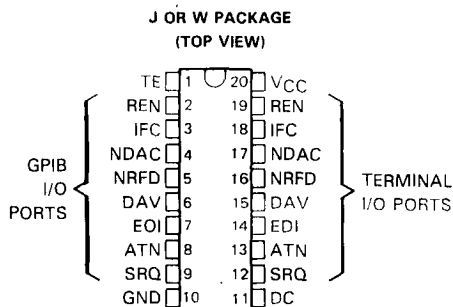
The SN55ALS161 eight-channel general-purpose interface bus transceiver is a monolithic, high-speed, Advanced Low-Power Schottky process device designed to provide the bus-management and data-transfer signals between operating units of a single controller instrumentation system. When combined with the SN55ALS160 octal bus transceiver, the SN55ALS161 provides the complete 16-wire interface for the IEEE 488 bus.†

The SN55ALS161 features eight driver-receiver pairs connected in a front-to-back configuration to form input/output (I/O) ports at both the bus and terminal sides. The direction of data through these driver-receiver pairs is determined by the DC and TE enable signals.

The driver outputs (GPIB I/O ports) feature active bus-terminating resistor circuits designed to provide a high impedance to the bus when $V_{CC} = 0$. The drivers are designed to handle loads up to 48-mA sink current. Each receiver features p-n-p transistor inputs for high input impedance and a hysteresis of 250 mV minimum for increased noise immunity. All receivers have 3-state outputs to present a high impedance to the terminal when disabled.

The SN55ALS161 is characterized for operation from -55°C to 125°C .

† The transceivers are suitable for IEEE Standard 488 applications to the extent of the operating conditions and characteristics specified in this data sheet. Certain limits contained in the IEEE specification are not met or cannot be tested over the entire military temperature range.

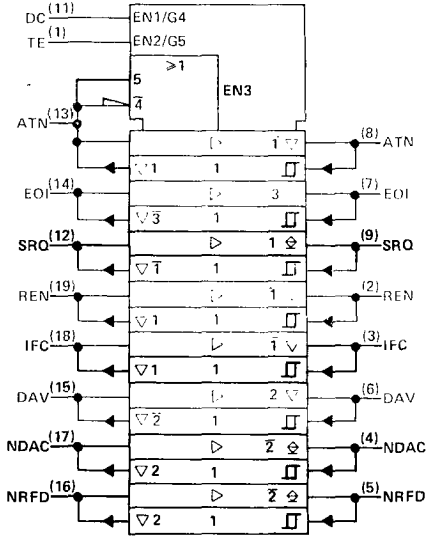


CHANNEL IDENTIFICATION TABLE

NAME	IDENTITY	CLASS
DC	Direction Control	Control
TE	Talk Enable	
ATN	Attention	Bus Management
SRQ	Service Request	
REN	Remote Enable	
IFC	Interface Clear	
EOI	End or Identify	
DAV	Data Valid	Data Transfer
NDAC	Not Data Accepted	
NRFD	Not Ready for Data	

SN55ALS161 OCTAL GENERAL-PURPOSE INTERFACE BUS TRANSCEIVER

logic symbol†

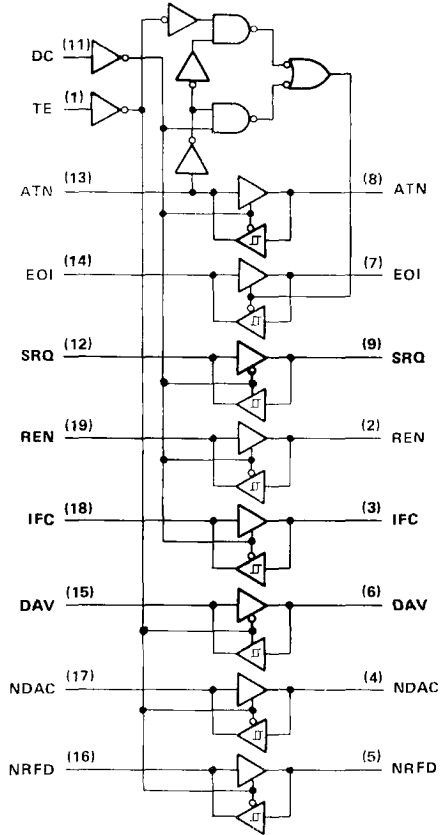


† This symbol is in accordance with ANSI/IEEE Std 91-1984 and IEC Publication 617-12.

▽ Designates 3-state outputs.

⊕ Designates passive-pullup outputs.

logic diagram (positive logic)



RECEIVE/TRANSMIT FUNCTION TABLE

CONTROLS			BUS-MANAGEMENT CHANNELS				DATA-TRANSFER CHANNELS			
DC	TE	ATN†	ATN†	SRQ	REN	IFC	EOI	DAV	NDAC	NRFD
			(Controlled by DC)				(Controlled by TE)			
H	H	H	R	T	R	R	T	T	R	R
H	H	L					R			
L	L	H	T	R	T	T	T	R	T	T
L	L	L								
H	L	X	R	T	R	R	R	R	T	T
L	H	X	T	R	T	T	T	T	R	R

H = high level, L = low level, R = receive, T = transmit, X = irrelevant

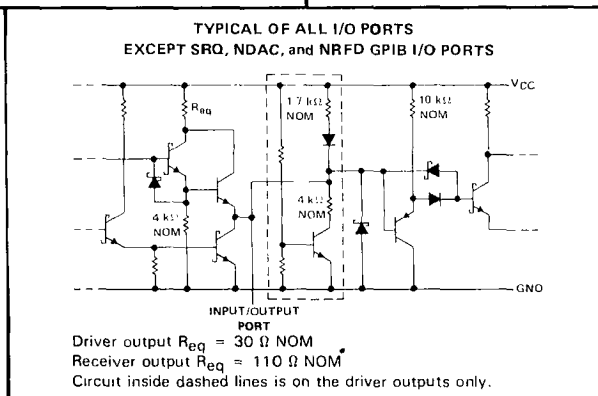
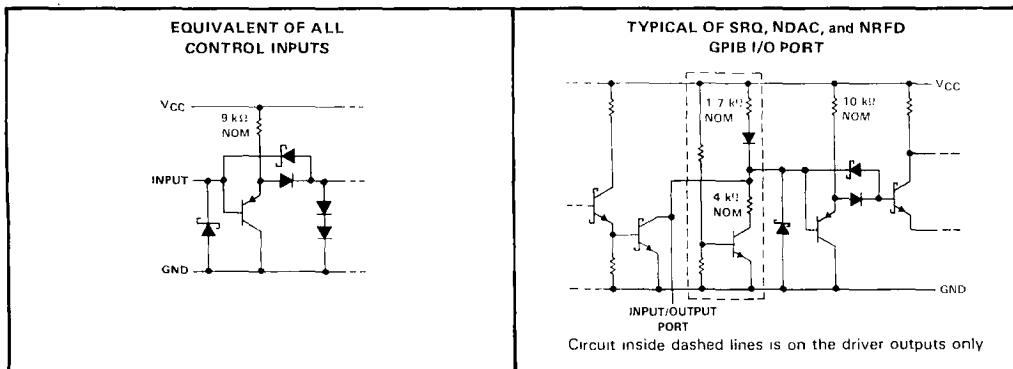
Direction of data transmission is from the terminal side to the bus side, and the direction of data reception is from the bus side to the terminal side. Data transfer is noninverting in both directions.

† ATN is a normal transceiver channel that functions additionally as an internal direction control or talk enable for EOI whenever the DC and TE inputs are in the same state. When DC and TE are in opposite states, the ATN channel functions as an independent transceiver only.

SN55ALS161

OCTAL GENERAL-PURPOSE INTERFACE BUS TRANSCEIVER

schematics of inputs and outputs



absolute maximum ratings over operating free-air temperature (unless otherwise noted)

Supply voltage, V_{CC} (see Note 1)	7 V
Input voltage	5.5 V
Low-level driver output current	100 mA
Continuous total dissipation at (or below) 25°C free-air temperature (see Note 2)	1375 mW
Operating free-air temperature range	-55°C to 125°C
Storage temperature range	-65°C to 150°C
Case temperature for 60 seconds: FK package	260°C
Lead temperature 1,6 mm (1/16 inch) from the case for 60 seconds	300°C

- NOTES: 1. All voltage values are with respect to network ground terminal.
2. For operation above 25°C free-air temperature, derate to 275 mW at 125°C at the rate of 11.0 mW/°C.

SN55ALS161

OCTAL GENERAL-PURPOSE INTERFACE BUS TRANSCEIVER

recommended operating conditions

		MIN	NOM	MAX	UNIT
Supply voltage, V_{CC}		4.75	5	5.25	V
High-level input voltage, V_{IH}	TE and DC at $T_A = -55^\circ\text{C}$ to 125°C	2			V
	Bus and terminal at $T_A = 25^\circ\text{C}$ or 125°C	2			
	Bus and terminal at $T_A = -55^\circ\text{C}$	2.1			
Low-level input voltage, V_{IL}	TE and DC at $T_A = -55^\circ\text{C}$ to 125°C	0.8			V
	Bus and terminal at $T_A = 25^\circ\text{C}$ or -55°C	0.8			
	Bus and terminal at $T_A = -55^\circ\text{C}$	0.7			
High-level output current, I_{OH}	Bus ports with pullups active ($V_{CC} = 5\text{ V}$)	-5.2			mA
	Terminal ports	-800			μA
Low-level output current, I_{OL}	Bus ports	48			mA
	Terminal ports	16			
Operating free-air temperature, T_A		-55		125	$^\circ\text{C}$

electrical characteristics over recommended operating free-air temperature range (unless otherwise noted)

PARAMETER		TEST CONDITIONS		MIN	TYP [†]	MAX	UNIT	
V_{IK}	Input clamp voltage	$V_{CC} = 4.75\text{ V}$, $I_I = -18\text{ mA}$		-0.8	-1.5		V	
V_{hys}	Hysteresis ($V_{T+} - V_{T-}$)	Bus	$V_{CC} = 5\text{ V}$, $T_A = 25^\circ\text{C}$	0.4	0.55		V	
			$V_{CC} = 5\text{ V}$, $T_A = 125^\circ\text{C}$	0.25				
			$V_{CC} = 5\text{ V}$, $T_A = -55^\circ\text{C}$	0.4				
V_{OH}^\ddagger	High-level output voltage	Terminal	$V_{CC} = 4.75\text{ V}$, $I_{OH} = -800\ \mu\text{A}$	2.7	3.5		V	
		Bus	$V_{CC} = 5\text{ V}$, $I_{OH} = -5.2\text{ mA}$	2.5	3.3			
			$V_{CC} = 4.75\text{ V}$, $I_{OH} = -5.2\text{ mA}$	2.2				
V_{OL}	Low-level output voltage	Terminal	$V_{CC} = 4.75\text{ V}$, $I_{OL} = 16\text{ mA}$	0.3	0.5		V	
		Bus	$V_{CC} = 4.75\text{ V}$, $I_{OL} = 48\text{ mA}$, $T_A = 25^\circ\text{C}$ or 125°C	0.35	0.5			
			$V_{CC} = 4.75\text{ V}$, $I_{OL} = 48\text{ mA}$, $T_A = -55^\circ\text{C}$	0.35	0.55			
I_I	Input current at maximum input voltage	Terminal	$V_{CC} = 5.25\text{ V}$, $V_I = 5.5\text{ V}$	0.2	100		μA	
I_{IH}	High-level input current	Terminal and control inputs	$V_{CC} = 5.25\text{ V}$, $V_I = 2.7\text{ V}$	0.1	20		μA	
I_{IL}	Low-level input current	control inputs	$V_{CC} = 5.25\text{ V}$, $V_I = 0.5\text{ V}$	-30	-100		μA	
$V_{I/O}(\text{bus})$	Voltage at bus port	$V_{CC} = 5\text{ V}$, Driver disabled	$I_I(\text{bus}) = 0$ $I_I(\text{bus}) = -12\text{ mA}$	2.5	3.0	3.7	V	
$I_{I/O}(\text{bus})$	Current into bus port	Power on	$V_{CC} = 5\text{ V}$, Driver disabled	$V_I(\text{bus}) = -1.5\text{ V}$ to 0.4 V	-1.3		mA	
				$V_I(\text{bus}) = 0.4\text{ V}$ to 2.5 V	0	-3.2		
				$V_I(\text{bus}) = 2.5\text{ V}$ to 3.7 V		2.5		
				$V_I(\text{bus}) = 3.7\text{ V}$ to 5 V	0	2.5		
				$V_I(\text{bus}) = 5\text{ V}$ to 5.5 V	0.7	2.5		
		Power off	$V_{CC} = 0$	$V_I(\text{bus}) = 0$ to 2.5 V		40	μA	
I_{OS}^\ddagger	Short-circuit output current	Terminal	$V_{CC} = 5.25\text{ V}$		-15	-35	-75	mA
		Bus			-25	-50	-125	
I_{CC}	Supply current	$V_{CC} = 5.25\text{ V}$, No load, TE and DC low		55	90		mA	
$C_{i/O}(\text{bus})$	Bus-port capacitance	$V_{CC} = 5\text{ V}$ to 0 , $V_{I/O} = 0$ to 2 V , $f = 1\text{ MHz}$		30			pF	

[†] All typical values are at $V_{CC} = 5\text{ V}$, $T_A = 25^\circ\text{C}$.

[‡] V_{OH} and I_{OS} apply for three-state outputs only.



SN55ALS161
OCTAL GENERAL-PURPOSE INTERFACE BUS TRANSCEIVER

switching characteristics at $V_{CC} = 4.75\text{ V}$, 5 V , and 5.25 V and $C_L = 50\text{ pF}$ (unless otherwise noted)

PARAMETER	FROM (INPUT)	TO (OUTPUT)	TEST CONDITIONS	T_A †	MIN	TYP‡	MAX	UNIT
t_{PLH} Propagation delay time, low- to high-level output	Terminal	Bus (Except SRQ, NDAC, and NRFD)	See Figure 1	25 °C		10	17	ns
				Full range			20	
t_{PHL} Propagation delay time, high- to low-level output	Terminal	Bus (Except SRQ, NDAC, and NRFD)	See Figure 1	25 °C		10	14	ns
				Full range			16	
t_{PLH} Propagation delay time, low- to high-level output	Terminal	Bus NRFD, SRQ, NDAC	See Figure 2	25 °C			25	ns
				Full range			30	
t_{PHL} Propagation delay time, high- to low-level output	Terminal	Bus NRFD, SRQ, NDAC	See Figure 2	25 °C		10	14	ns
				Full range			16	
t_{PLH} Propagation delay time, low- to high-level output	Bus	Terminal	See Figure 2	2		10	15	ns
				Full range			18	
t_{PHL} Propagation delay time, high- to low-level output	Bus	Terminal	See Figure 2	25 °C		10	15	ns
				Full range			18	
t_{PZH} Output enable time to high level	TE or DC	Bus (ATN, REN, IFC, and DAV)	See Figure 3	25 °C		20	30	ns
				Full range			41	
t_{PHZ} Output disable time from high level	TE or DC	Bus (ATN, REN, IFC, and DAV)	See Figure 3	2		8	14	ns
				Full range			16	
t_{PZL} Output enable time to low level	TE or DC	Bus (ATN, REN, IFC, and DAV)	See Figure 3	2		16	28	ns
				Full range			34	
t_{PLZ} Output disable time from low level	TE or DC	Bus (ATN, REN, IFC, and DAV)	See Figure 3	25 °C		10	19	ns
				Full range			24	
t_{PZH} Output enable time to high level	TE or DC	Bus (EOI)	See Figure 3	25 °C		24	30	ns
				Full range			48	
t_{PHZ} Output disable time from high level	TE or DC	Bus (EOI)	See Figure 3	25 °C		13	19	ns
				Full range			25	
t_{PZL} Output enable time to low level	TE or DC	Bus (EOI)	See Figure 3	25 °C		21	35	ns
				Full range			43	
t_{PLZ} Output disable time from low level	TE or DC	Bus (EOI)	See Figure 3	2		13	20	ns
				Full range			27	
t_{PZH} Output enable time to high level	TE or DC	Terminal	See Figure 4	25 °C		24	36	ns
				Full range			50	
t_{PHZ} Output disable time from high level	TE or DC	Terminal	See Figure 4	25 °C		12	20	ns
				Full range			33	
t_{PZL} Output enable time to low level	TE or DC	Terminal	See Figure 4	25 °C		20	34	ns
				Full range			41	
t_{PLZ} Output disable time from low level	TE or DC	Terminal	See Figure 4	25 °C		13	24	ns
				Full range			35	

†Full range is -55 °C to 125 °C.

‡All typical values are at $V_{CC} = 5\text{ V}$.

SN55ALS161
OCTAL GENERAL-PURPOSE INTERFACE BUS TRANSCEIVER

PARAMETER MEASUREMENT INFORMATION

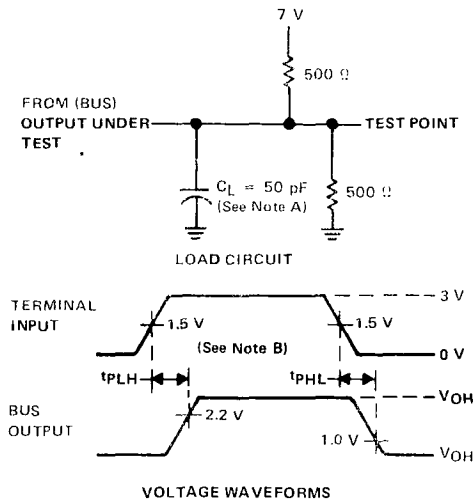


FIGURE 1. TERMINAL-TO-BUS PROPAGATION DELAY TIMES

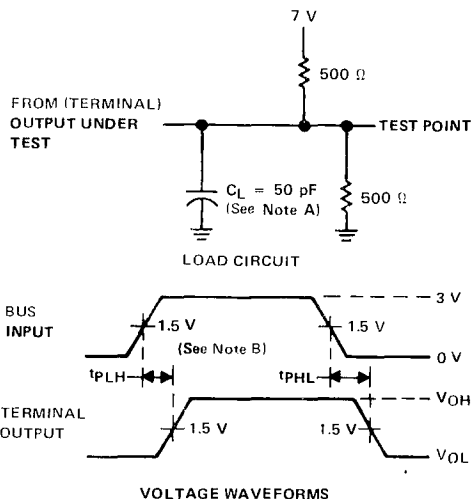


FIGURE 2. BUS-TO-TERMINAL PROPAGATION DELAY TIMES

- NOTES: A. C_L includes probe and jig capacitance.
 B. The input pulse is supplied by a generator having the following characteristics: PRR \leq 1 MHz, 50% duty cycle, $t_r \leq 6$ ns, $t_f \leq 6$ ns, $Z_0 = 50 \Omega$.



PARAMETER MEASUREMENT INFORMATION

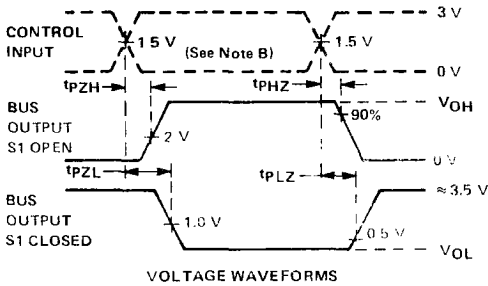
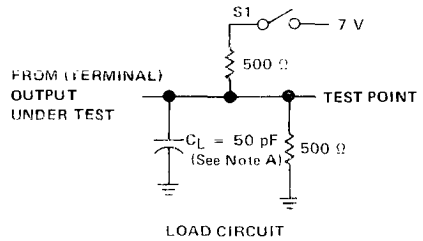
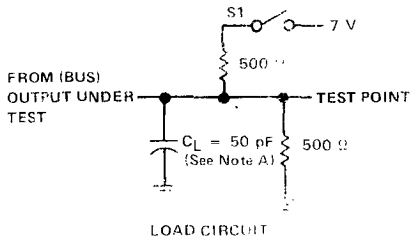


FIGURE 3. BUS ENABLE AND DISABLE TIMES

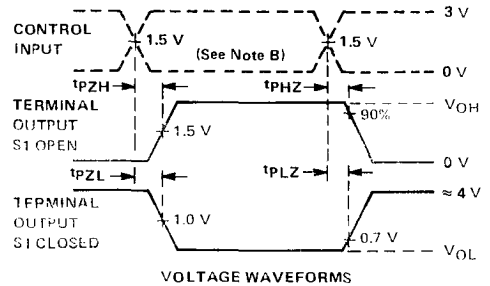


FIGURE 4. TERMINAL ENABLE AND DISABLE TIMES

NOTES: A. C_L includes probe and jig capacitance.

B. The input pulse is supplied by a generator having the following characteristics: PRR $\leq 1 \text{ MHz}$, 50% duty cycle, $t_r \leq 6 \text{ ns}$, $t_f \leq 6 \text{ ns}$, $Z_0 = 50 \Omega$

SN55ALS161
OCTAL GENERAL-PURPOSE INTERFACE BUS TRANSCEIVER

TYPICAL CHARACTERISTICS

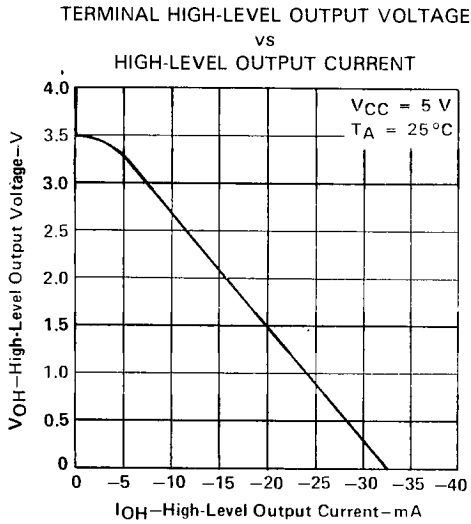


FIGURE 5

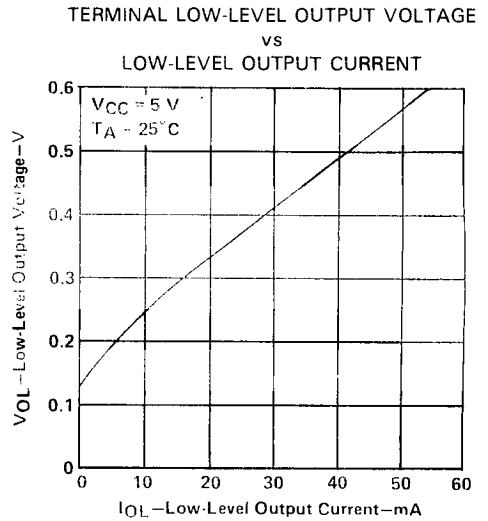


FIGURE 6

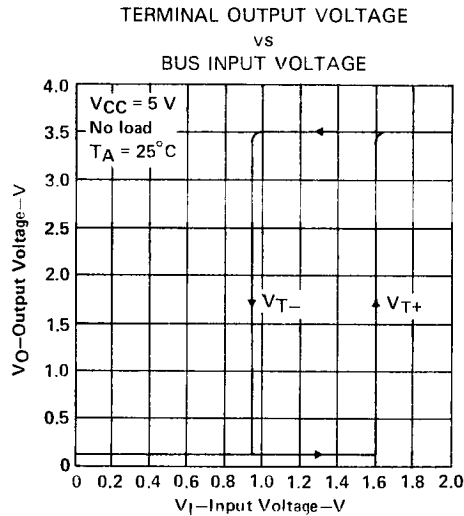


FIGURE 7

TYPICAL CHARACTERISTICS

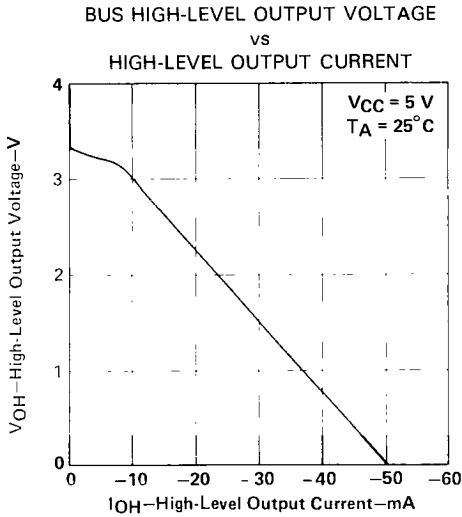


FIGURE 8

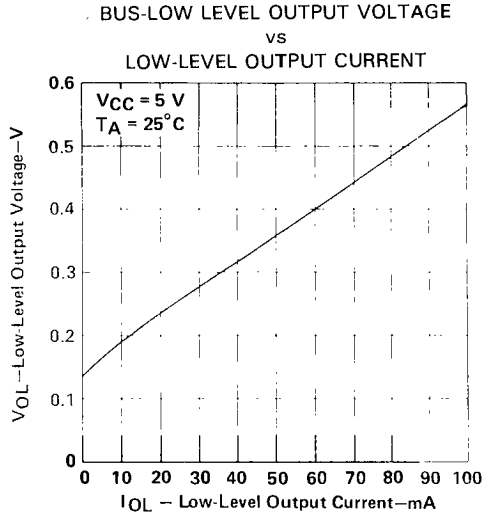


FIGURE 9

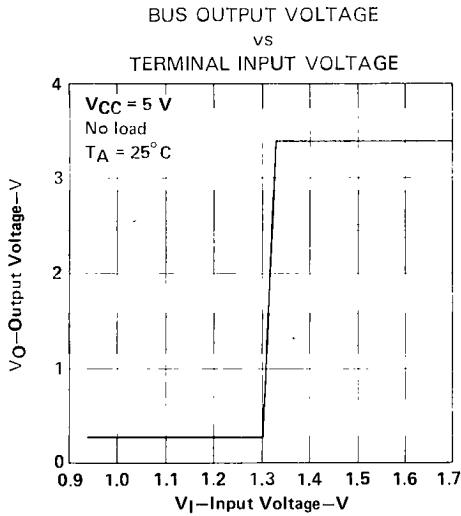


FIGURE 10

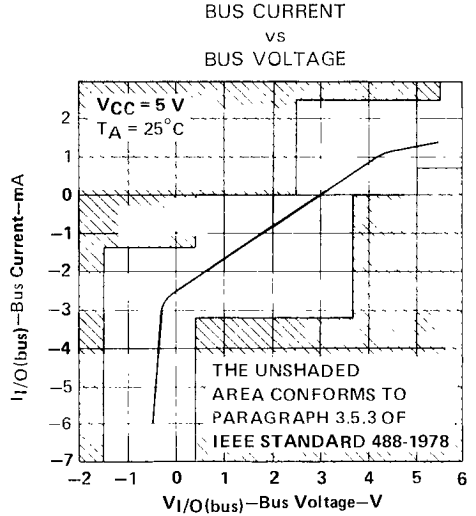


FIGURE 11



SN55ALS192, SN75ALS192 QUADRUPLE DIFFERENTIAL LINE DRIVERS

D2904, JULY 1985 - REVISED JUNE 1986

- Meets EIA Standard RS-422-A
- High-Speed, Low-Power ALS Design
- 3-State TTL Compatible
- Single 5-V Supply Operation
- High Output Impedance in Power-Off Condition
- Complementary Output Enable Inputs
- Improved Replacement for the AM26LS31

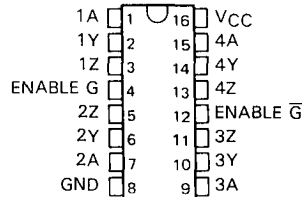
description

These quadruple complementary-output line drivers are designed for data transmission over twisted-pair or parallel-wire transmission lines. They meet the requirements of EIA Standard RS-422-A and are compatible with 3-state TTL circuits. Advanced Low-Power Schottky technology provides high speed without the usual power penalties. Standby supply current is typically only 26 mA, while typical propagation delay time is less than 10 ns.

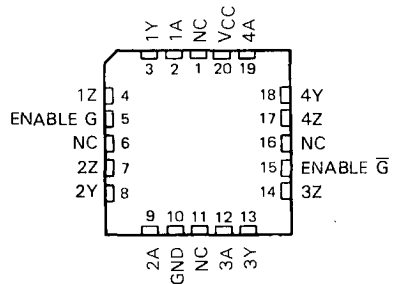
High-impedance inputs maintain input currents low, less than 1 μA for a high level and less than 100 μA for a low level. Complementary control inputs, G and \bar{G} , allow these devices to be enabled at either a high input level or low input level. The SN75ALS192 is capable of data rates in excess of 20 megabits per second and is designed to operate with the SN75ALS193 quadruple line receiver. The SN55ALS192 is also capable of data rates in excess of 20 megabits per second and designed to operate with the SN55ALS193; however, it may be limited to a lower bit rate based on the temperature. Reference should be made to the Dissipation Rating Table and Figure 15.

The SN55ALS192 is characterized for operation over the full military temperature range of -55°C to 125°C . The SN75ALS192 is characterized for operation from 0°C to 70°C .

SN55ALS192 . . . J PACKAGE
SN75ALS192 . . . D, J, OR N PACKAGE
(TOP VIEW)



SN55ALS192 . . . FK PACKAGE
(TOP VIEW)



NC—No internal connection

FUNCTION TABLE (EACH DRIVER)

INPUT A	ENABLES		OUTPUTS	
	G	\bar{G}	Y	Z
H	H	X	H	L
L	H	X	L	H
H	X	L	H	L
L	X	L	L	H
X	L	H	Z	Z

H = high level, L = low level,
Z = high impedance (off),
X = irrelevant

PRODUCTION DATA documents contain information current as of publication date. Please conform to specifications per the terms of Texas Instruments' standard warranty. Production processing does not necessarily include testing of all parameters.

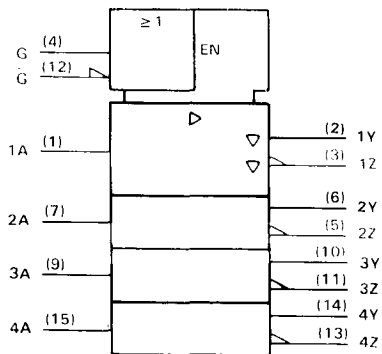
TEXAS
INSTRUMENTS

POST OFFICE BOX 655303 • DALLAS, TEXAS 75265

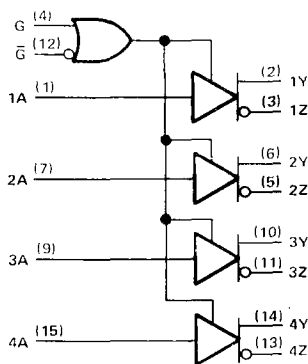
Copyright © 1986, Texas Instruments Incorporated

SN55ALS192, SN75ALS192 QUADRUPLE DIFFERENTIAL LINE DRIVERS

logic symbol†



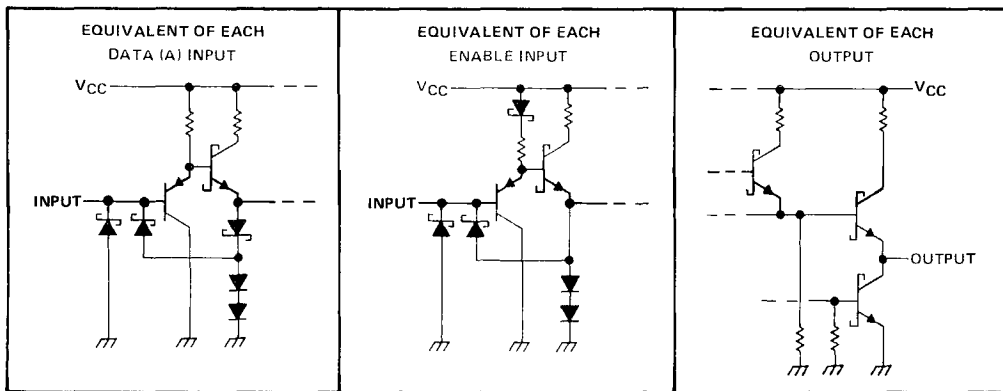
logic diagram (positive logic)



† This symbol is in accordance with ANSI/IEEE Std 91-1984 and IEC Publication 617-12.

Pin numbers shown are for D, J, and N packages.

schematics of inputs and outputs



SN55ALS192, SN75ALS192 QUADRUPLE DIFFERENTIAL LINE DRIVERS

absolute maximum ratings over operating free-air temperature range (unless otherwise noted)

		SN55ALS192	SN75ALS192	UNIT
Supply voltage, V_{CC} (see Note 1)		7	7	V
Input voltage, V_I		7	7	V
Output off-state voltage		6	6	V
Continuous total dissipation at (or below) 25°C free-air temperature (see Note 2)	D package		950	mW
	FK package	1375		
	J package	1375	1025	
	N package		1150	
Operating free-air temperature range		-55 to 125	0 to 70	°C
Storage temperature range		-65 to 150	-65 to 150	°C
Case temperature for 60 seconds	FK package	260		°C
Lead temperature 1,6 mm (1/16 inch) from case for 60 seconds	J package	300	300	
Lead temperature 1,6 mm (1/16 inch) from case for 10 seconds	D or N package		260	°C

- NOTES: 1. All voltage values except differential output voltage V_{OD} are with respect to network ground terminal.
 2. For operation above 25°C free-air temperature, refer to the Dissipation Rating Table. In the J package, SN55ALS192 chips are either alloy or silver glass mounted and SN75ALS192 chips are glass mounted.

DISSIPATION RATING TABLE

PACKAGE	$T_A \leq 25^\circ\text{C}$	DERATING FACTOR	$T_A = 70^\circ\text{C}$	$T_A = 125^\circ\text{C}$
	POWER RATING	ABOVE $T_A = 25^\circ\text{C}$	POWER RATING	POWER RATING
D	950 mW	7.6 mW/°C	nW	
FK or J (SN55ALS192)	1375 mW	11.0 mW/°C	880 mW	275 mW
J (SN75ALS192)	1025 mW	8.2 mW/°C	656 mW	
N	1150 mW	9.2 mW/°C	736 mW	

recommended operating conditions

	SN55ALS192			SN75ALS192			UNIT
	MIN	NOM	MAX	MIN	NOM	MAX	
Supply voltage, V_{CC}	4.5	5	5.5	4.75	5	5.25	V
High level input voltage, V_{IH}	2			2			V
Low-level input voltage, V_{IL}				0.8			V
High-level output current, I_{OH}				-20			mA
Low-level output current, I_{OL}				20			mA
Operating free-air temperature, T_A	-55			125			°C

SN55ALS192, SN75ALS192 QUADRUPLE DIFFERENTIAL LINE DRIVERS

electrical characteristics over recommended operating free-air temperature range (unless otherwise noted)

PARAMETER	TEST CONDITIONS [†]	SN55ALS192		SN75ALS192		UNIT
		MIN	TYP [‡] MAX	MIN	TYP [‡] MAX	
V _{IK}	Input clamp voltage	V _{CC} = MIN, I _I = -18 mA		-1.5		V
V _{OH}	High-level output voltage	V _{CC} = MIN, I _{OH} = -20 mA		2.4	2.5	V
V _{OL}	Low-level output voltage	V _{CC} = MIN, I _{OL} = 20 mA		0.5		V
V _O	Output voltage	V _{CC} = MAX, I _O = 0		0	6	V
V _{OD1}	Differential output voltage	V _{CC} = MIN, I _O = 0		1.5	6	V
V _{OD2}	Differential output voltage	R _L = 100 Ω, See Figure 1		½ V _{OD1} 2	½ V _{OD1} 2	V
Δ V _{OD}	Change in magnitude of differential output voltage [§]	R _L = 100 Ω, See Figure 1		±0.2		V
V _{OC}	Common-mode output voltage [¶]			±3		V
Δ V _{OC}	Change in magnitude of common-mode output voltage [§]			±0.2		V
I _O	Output current with power off	V _{CC} = 0		100	100	μA
		V _O = 6 V V _O = -0.25 V		-100	-100	
I _{OZ}	Off-state (high-impedance state) output current	V _{CC} = MAX		-20	-20	μA
		V _O = 0.5 V V _O = 2.5 V		20	20	
I _I	Input current at maximum input voltage	V _{CC} = MAX, V _I = 7 V		0.1		mA
I _{IH}	High-level input current	V _{CC} = MAX, V _I = 2.7 V		20		μA
I _{IL}	Low-level input current	V _{CC} = MAX, V _I = 0.4 V		-0.2		mA
I _{OS}	Short-circuit output current [#]	V _{CC} = MAX		-30	-150	mA
I _{CC}	Supply current (all drivers)	V _{CC} = MAX, All outputs disabled		26	45	mA

[†]For conditions shown as MIN or MAX, use the appropriate value specified under Recommended Operating Conditions.

[‡]All typical values are at V_{CC} = 5 V and T_A = 25°C.

[§]Δ|V_{OD}| and Δ|V_{OC}| are the changes in magnitude of V_{OD} and V_{OC}, respectively, that occur when the input is changed from a high level to a low level.

[¶]In EIA Standard RS-422A, V_{OC}, which is the average of the two output voltages with respect to ground, is called output offset voltage, V_{OS}.

[#]Not more than one output should be shorted at a time, and duration of the short-circuit should not exceed one second.

switching characteristics, V_{CC} = 5 V, T_A = 25°C (see Figure 2)

PARAMETER	TEST CONDITIONS	MIN	TYP	MAX	UNIT		
t _{pLH}	Propagation delay time, low-to-high-level output	6			13	ns	
t _{pHL}	Propagation delay time, high-to-low-level output	9			14	ns	
	Output-to-output skew	3			6	ns	
t _{pZH}	Output enable time to high level	R _L = 75 Ω			11	15	ns
t _{pZL}	Output enable time to low level	R _L = 180 Ω			16	20	ns
t _{pHZ}	Output disable time from high level	C _L = 10 pF S1 and S2 closed			8	15	ns
t _{pLZ}	Output disable time from low level				18	20	ns

PARAMETER MEASUREMENT INFORMATION

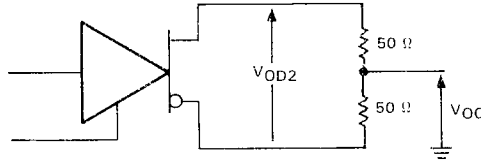
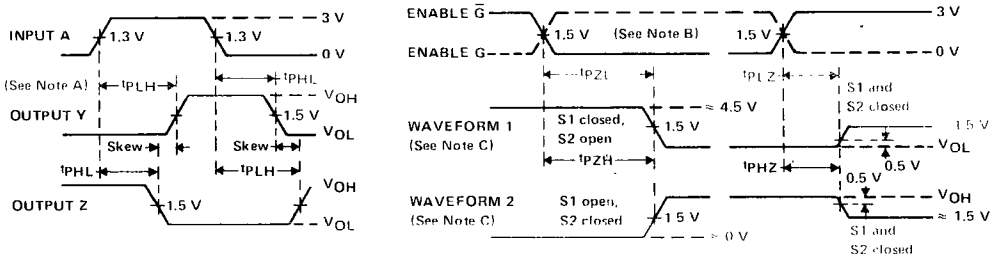


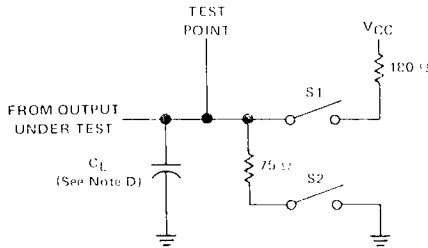
FIGURE 1. DIFFERENTIAL AND COMMON-MODE OUTPUT VOLTAGES



PROPAGATION DELAY TIMES AND SKEW

ENABLE AND DISABLE TIMES

VOLTAGE WAVEFORMS



TEST CIRCUIT

- NOTES: A. When measuring propagation delay times and skew, switches S1 and S2 are open.
 B. Each enable is tested separately.
 C. Waveform 1 is for an output with internal conditions such that the output is low except when disabled by the output control. Waveform 2 is for an output with internal conditions such that the output is high except when disabled by the output control.
 D. C_L includes probe and jig capacitance.
 E. All input pulses are supplied by generators having the following characteristics: PRR \leq 1 MHz, $Z_0 \approx 50 \Omega$, $t_r \leq 15$ ns, and $t_f \leq 6$ ns

FIGURE 2. SWITCHING TIMES

TYPICAL CHARACTERISTICS

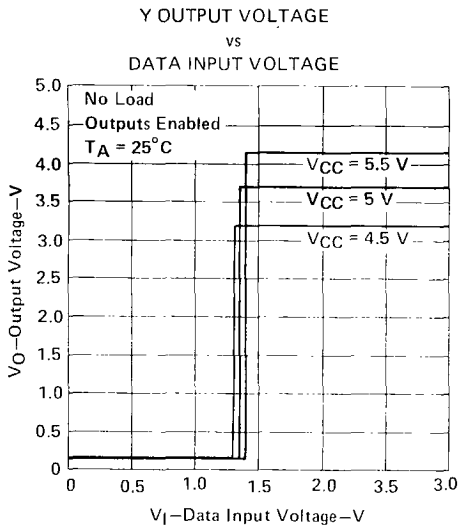


FIGURE 3

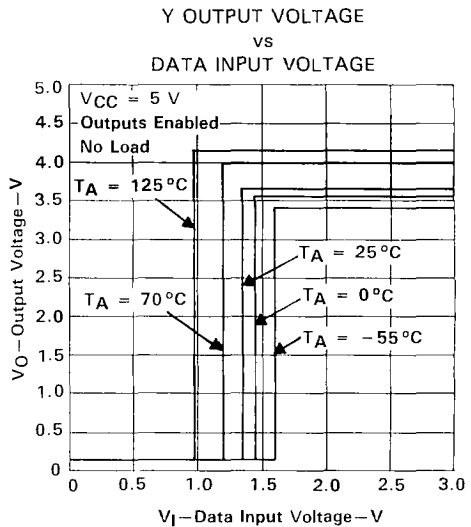


FIGURE 4

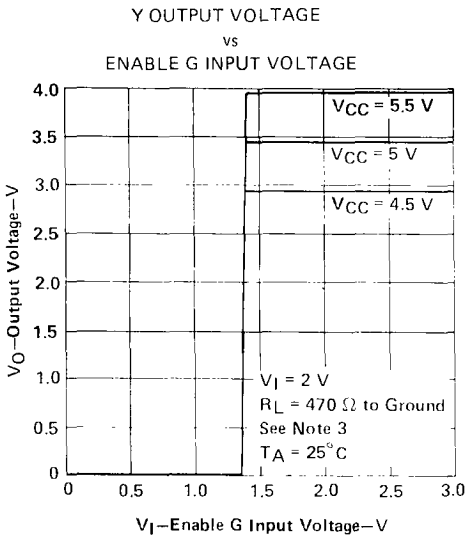


FIGURE 5

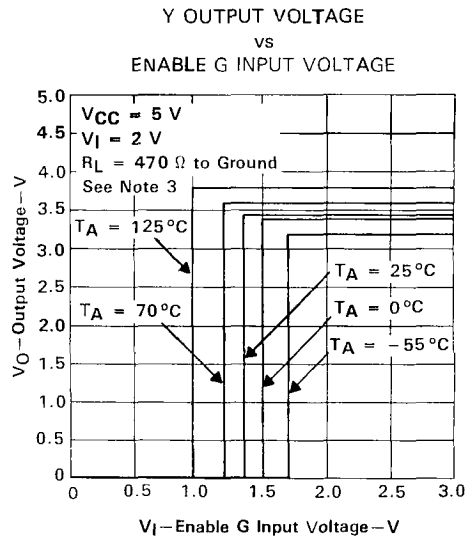


FIGURE 6

NOTE 3: The A input is connected to V_{CC} during the testing of the Y outputs and to ground during the testing of the Z outputs.

TYPICAL CHARACTERISTICS

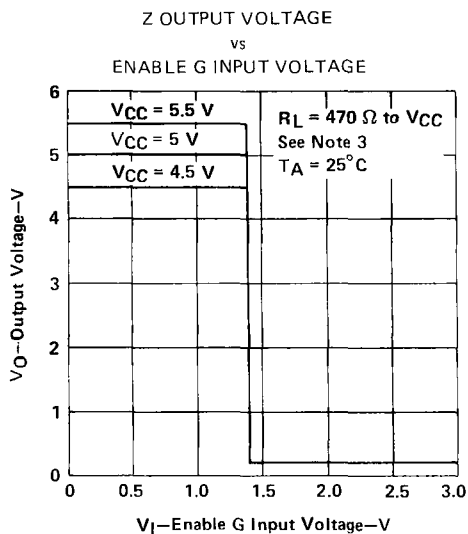


FIGURE 7

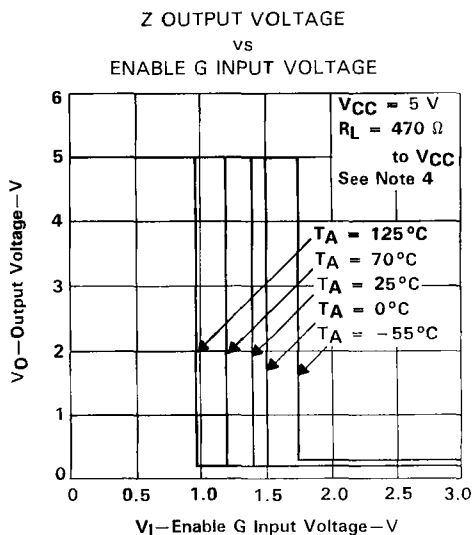


FIGURE 8

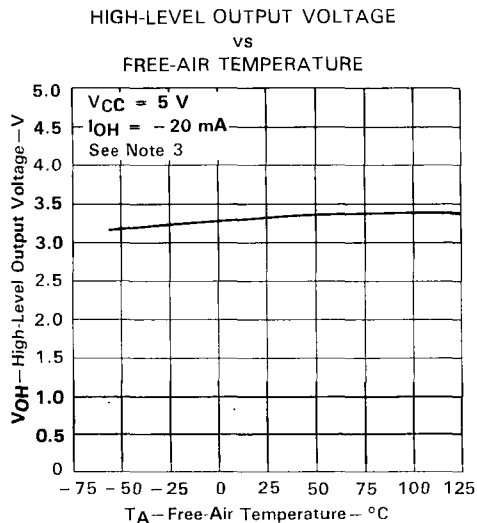


FIGURE 9

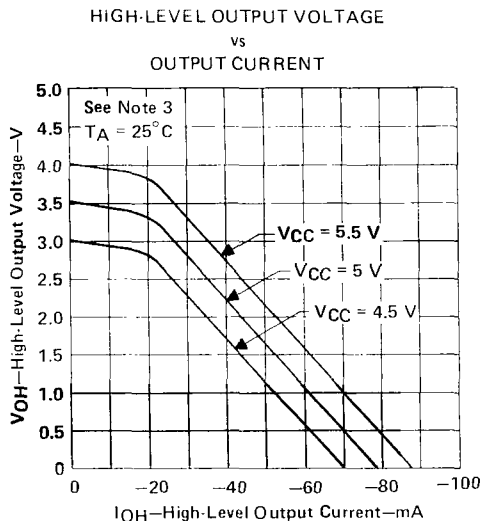
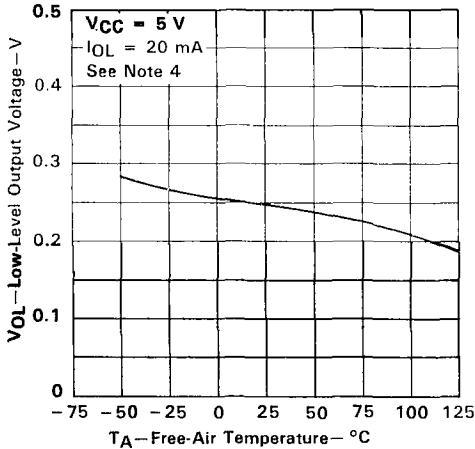


FIGURE 10

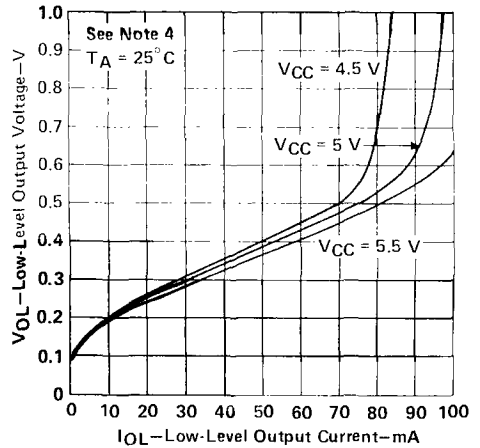
NOTES: 3. The A input is connected to V_{CC} during the testing of the Y outputs and to ground during the testing of the Z outputs.
 4. The A input is connected to ground during the testing of the Y outputs and to V_{CC} during the testing of the Z outputs.

TYPICAL CHARACTERISTICS

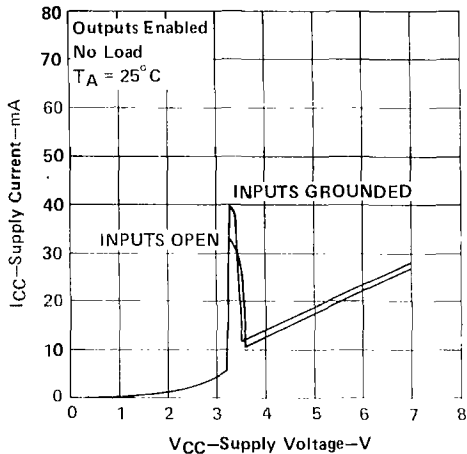
LOW-LEVEL OUTPUT VOLTAGE
 vs
FREE-AIR TEMPERATURE



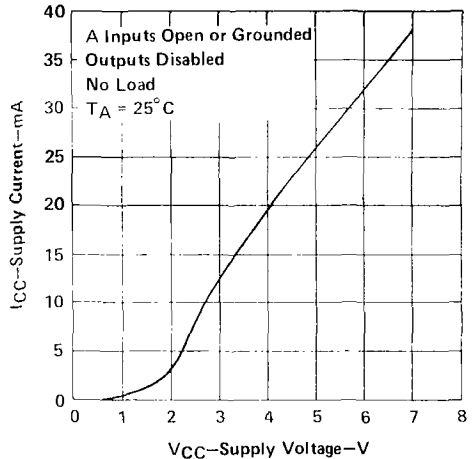
LOW-LEVEL OUTPUT VOLTAGE
 vs
OUTPUT CURRENT



SUPPLY CURRENT
 vs
SUPPLY VOLTAGE



SUPPLY CURRENT
 vs
SUPPLY VOLTAGE



NOTE 4: The A input is connected to ground during the testing of the Y outputs and to V_{CC} during the testing of the Z outputs.

TYPICAL CHARACTERISTICS

SUPPLY CURRENT
vs
FREQUENCY

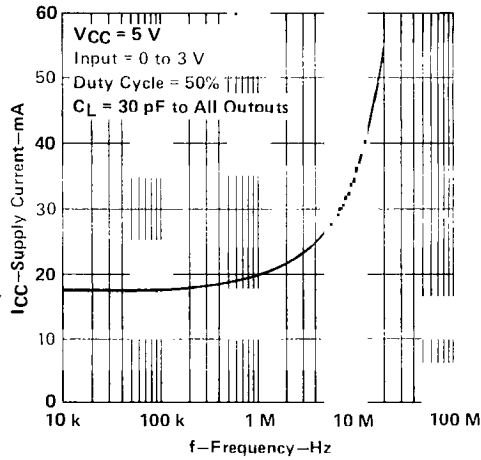


FIGURE 15



SN55ALS194, SN75ALS194 QUADRUPLE DIFFERENTIAL LINE DRIVERS WITH 3-STATE OUTPUTS

D2917, OCTOBER 1985—REVISED OCTOBER 1988

- Meets EIA Standard RS-422-A
- High-Speed ALS Design
- 3-State TTL-Compatible
- Single 5-V Supply Operation
- High Output Impedance in Power-Off Condition
- Two Pairs of Drivers Independently Enabled
- Designed as a Replacement for the MC3487 with Improvements: I_{CC} 50% Lower, Switching Speed 30% Faster, Full-Temperature-Range Version

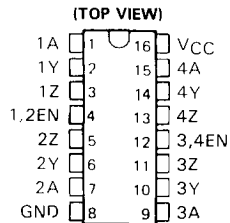
description

These quadruple complementary-output line drivers are designed for data transmission over twisted-pair or parallel-wire transmission lines. They meet the requirements of EIA Standard RS-422-A and are compatible with 3-state TTL circuits. Advanced Low-Power Schottky technology provides high speed without the usual power penalty. Standby supply current is typically only 26 mA, while typical propagation delay time is less than 10 ns and enable/disable times are typically less than 16 ns.

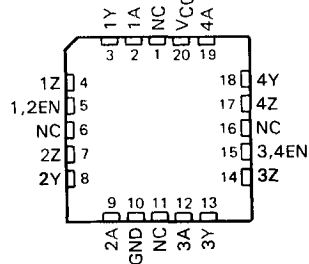
High-impedance inputs keep input currents low, less than $1 \mu\text{A}$ for a high level and less than $100 \mu\text{A}$ for a low level. The driver circuits can be enabled in pairs by separate active-high enable inputs. The SN55ALS194 and SN75ALS194 are capable of data rates in excess of 10 megabits per second and are designed to operate with the SN55ALS195 and SN75ALS195 quadruple line receivers.

The SN55ALS194 is characterized for operation from -55°C to 125°C . The SN75ALS194 is characterized for operation from 0°C to 70°C .

SN55ALS194 . . . J PACKAGE
SN75ALS194 . . . D, J, OR N PACKAGE



SN55ALS194 . . . FK PACKAGE
(TOP VIEW)



NC—No internal connection

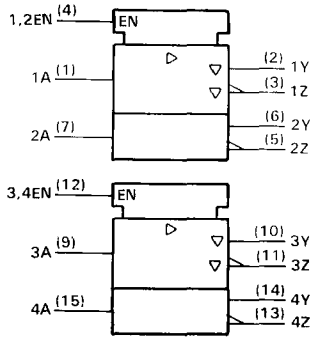
FUNCTION TABLE (EACH DRIVER)

INPUT	OUTPUT ENABLE	OUTPUTS	
		Y	Z
H	H	H	L
L	H	L	H
X	L	High-Impedance	High-Impedance

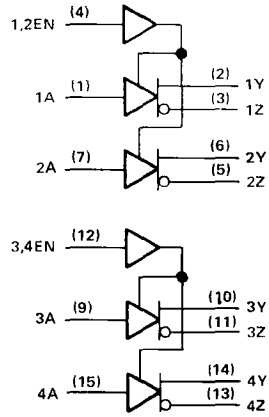
H = TTL high level, L = TTL low level, X = irrelevant

SN55ALS194, SN75ALS194 QUADRUPLE DIFFERENTIAL LINE DRIVERS WITH 3-STATE OUTPUTS

logic symbol†

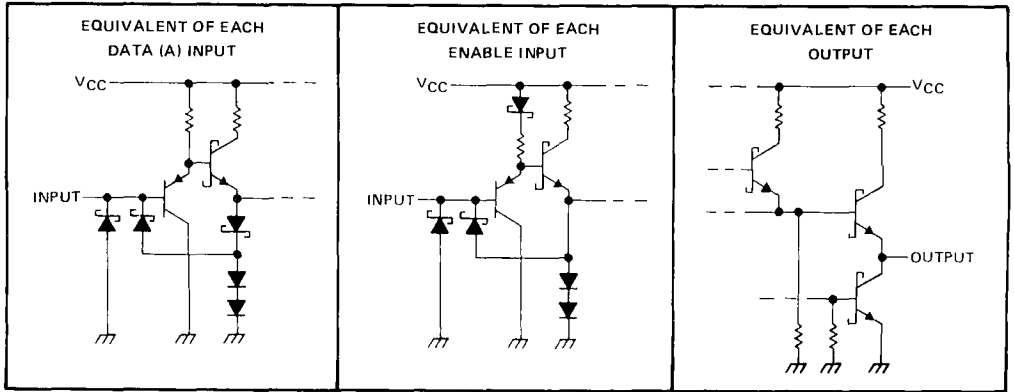


logic diagram (positive logic)



†This symbol is in accordance with ANSI/IEEE Std 91-1984 and IEC Publication 617-12.
Pin numbers shown are for D, J, and N packages.

schematics of inputs and outputs



SN55ALS194, SN75ALS194 QUADRUPLE DIFFERENTIAL LINE DRIVERS WITH 3-STATE OUTPUTS

absolute maximum ratings over operating free-air temperature range (unless otherwise noted)

Supply voltage, V_{CC} (see Note 1)	7 V
Input voltage, V_I	5.5 V
Continuous total dissipation	See Dissipation Rating Table
Operating free-air temperature range: SN55ALS194	-55°C to 125°C
SN75ALS194	0°C to 70°C
Storage temperature range	-65°C to 150°C
Case temperature for 60 seconds: FK package	260°C
Lead temperature 1,6 mm (1/16 inch) from case for 10 seconds: D or N package	260°C
Lead temperature 1,6 mm (1/16 inch) from case for 60 seconds: J package	300°C

NOTE 1: All voltage values are with respect to network ground terminal.

DISSIPATION RATING TABLE

PACKAGE	$T_A \leq 25^\circ\text{C}$	DERATING FACTOR	$T_A = 70^\circ\text{C}$	$T_A = 125^\circ\text{C}$
	POWER RATING	ABOVE $T_A = 25^\circ\text{C}$	POWER RATING	POWER RATING
D	950 mW	7.6 mW/°C	608 mW	N/A
FK	1375 mW	11.0 mW/°C	880 mW	275 mW
J (SN55ALS194)	1375 mW	11.0 mW/°C	880 mW	275 mW
J (SN75ALS194)	1025 mW	8.2 mW/°C	656 mW	N/A
N	1150 mW	9.2 mW/°C	736 mW	N/A

recommended operating conditions

		SN55ALS194			SN75ALS194			UNIT
		MIN	TYP	MAX	MIN	TYP	MAX	
Supply voltage, V_{CC}		4.5	5	5.5	4.75	5	5.25	V
High-level input voltage, V_{IH}	All inputs, $T_A = 25^\circ\text{C}$	2			2			V
	A inputs, $T_A =$ Full range	2			2			
	EN inputs, $T_A =$ Full range	2.1			2			
Low-level input voltage, V_{IL}		0.8			0.8			V
High-level output current, I_{OH}		-20			-20			mA
Low-level output current, I_{OL}	$T_A = 25^\circ\text{C}$	48			48			mA
	$T_A =$ Full range	20			48			
Operating free-air temperature, T_A		-55	125		0	70		°C

SN55ALS194, SN75ALS194 QUADRUPLE DIFFERENTIAL LINE DRIVERS WITH 3-STATE OUTPUTS

electrical characteristics over recommended ranges of supply voltage and operating free-air temperature range (unless otherwise noted)

PARAMETER		TEST CONDITIONS		MIN	TYP†	MAX	UNIT	
V _{IK}	Input clamp voltage	V _{CC} = MIN, I _I = -18 mA				-1.5	V	
V _{OH}	High-level output voltage	V _{CC} = MIN, I _{OH} = -20 mA	SN55ALS194	2.4			V	
			SN75ALS194	2.5				
V _{OL}	Low-level output voltage	V _{CC} = MIN, I _{OL} = MAX				0.5	V	
V _O	Output voltage	I _O = 0		0		6	V	
V _{OD1}	Differential output voltage	I _O = 0		2		6	V	
V _{OD2}	Differential output voltage	R _L = 100 Ω, See Figure 1		½ V _{OD1}			V	
Δ V _{OD}	Change in magnitude of differential output voltage‡					±0.4		V
V _{OC}	Common-mode output voltage					±3		V
Δ V _{OC}	Change in magnitude of common-mode output voltage‡					±0.4		V
I _O	Output current with power off	V _{CC} = 0	V _O = 6 V			100	μA	
			V _O = -0.25 V			-100		
I _{OZ}	High-impedance state output current	V _{CC} = MAX, Output enables at 0.8 V	V _O = 2.7 V			100	μA	
			V _O = 0.5 V			-100		
I _I	Input current at maximum input voltage	V _{CC} = MAX, V _I = 5.5 V				100	μA	
I _{IH}	High-level input current	V _{CC} = MAX, V _I = 2.7 V				50	μA	
I _{IL}	Low-level input current	V _{CC} = MAX, V _I = 0.5 V				-	μA	
I _{OS}	Short-circuit output current [§]	V _{CC} = MAX, V _I = 2 V		-40		-	mA	
I _{CC}	Supply current (all drivers)	V _{CC} = MAX, All outputs disabled			26	45	mA	

† All typical values are at V_{CC} = 5 V, T_A = 25°C.

‡ Δ|V_{OD}| and Δ|V_{OC}| are the changes in magnitude of V_{OD} and V_{OC}, respectively, that occur when the input is changed from a high level to a low level.

§ Not more than one output should be shorted at a time, and duration of the short-circuit should not exceed one second.

switching characteristics, V_{CC} = 5 V, T_A = 25°C

PARAMETER	TEST CONDITIONS	SN55ALS194		SN75ALS194		UNIT
		MIN	MAX	MIN	MAX	
t _{PLH}	Propagation delay time, low-to-high-level output	6	13	6	13	ns
t _{PHL}	Propagation delay time, high-to-low-level output	9	14	9	14	ns
	Output-to-output skew	3.5	6	3.5	6	ns
t _{TD}	Differential-output transition time	8	14	8	14	ns
t _{pZH}	Output enable time to high level	9	12	9	12	ns
t _{pZL}	Output enable time to low level	12	20	12	20	ns
t _{PHZ}	Output disable time from high level	9	15	9	14	ns
t _{PLZ}	Output disable time from low level	12	15	12	15	ns

SN55ALS194, SN75ALS194 QUADRUPLE DIFFERENTIAL LINE DRIVERS WITH 3-STATE OUTPUTS

SYMBOL EQUIVALENTS

DATA SHEET PARAMETER	RS-422-A
V_O	V_{Oa}, V_{Ob}
$ V_{OD1} $	V_o
$ V_{OD2} $	$V_t (R_L = 100 \Omega)$
$\Delta V_{OD} $	$ V_t - \bar{V}_t $
V_{OC}	$ V_{os} $
$\Delta V_{OC} $	$ V_{os} - \bar{V}_{os} $
I_{OS}	$ I_{sa} , I_{sb} $
I_O	$ I_{xa} , I_{xb} $

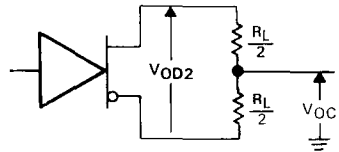


FIGURE 1. DRIVER V_{OD} AND V_{OC}

PARAMETER MEASUREMENT INFORMATION

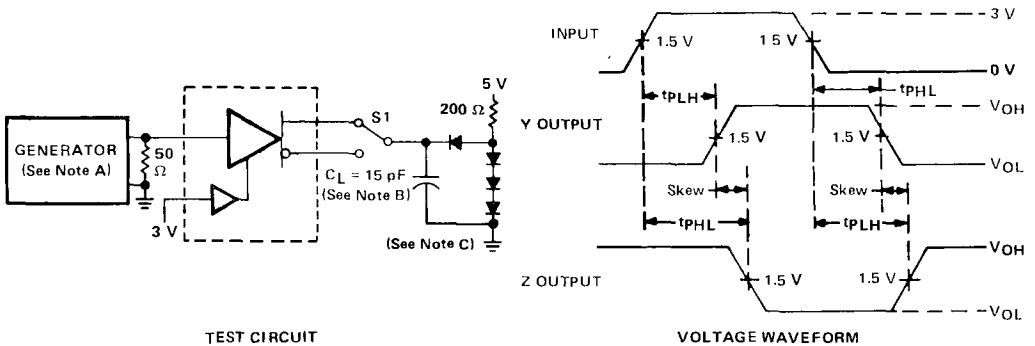


FIGURE 2. PROPAGATION DELAY TIMES

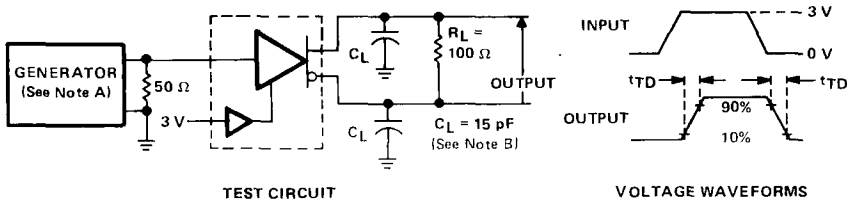
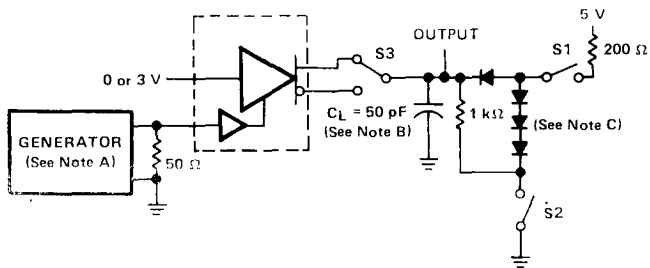


FIGURE 3. DIFFERENTIAL-OUTPUT TRANSITION TIMES

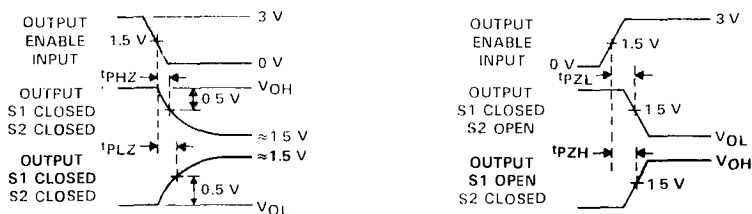
- NOTES: A. The input pulse is supplied by a generator having the following characteristics: $t_r \leq 5$ ns, $t_f \leq 5$ ns, $PRR \leq 1$ MHz, duty cycle $\leq 50\%$, $Z_o \approx 50 \Omega$.
 B. C_L includes probe and stray capacitance.
 C. All diodes are 1N916 or 1N3064.

**SN55ALS194, SN75ALS194
QUADRUPLE DIFFERENTIAL LINE DRIVERS
WITH 3-STATE OUTPUTS**

PARAMETER MEASUREMENT INFORMATION



TEST CIRCUIT



VOLTAGE WAVEFORMS

- NOTES: A. The input pulse is supplied by a generator having the following characteristics: $t_r \leq 5$ ns, $t_f \leq 5$ ns, $PRR \leq 1$ MHz, duty cycle $\leq 50\%$, $Z_o = 50 \Omega$.
 B. C_L includes probe and stray capacitance.
 C. All diodes are 1N916 or 1N3064.

FIGURE 4. DRIVER ENABLE AND DISABLE TIMES

**SN55ALS194, SN75ALS194
QUADRUPLE DIFFERENTIAL LINE DRIVERS
WITH 3-STATE OUTPUTS**

TYPICAL CHARACTERISTICS†

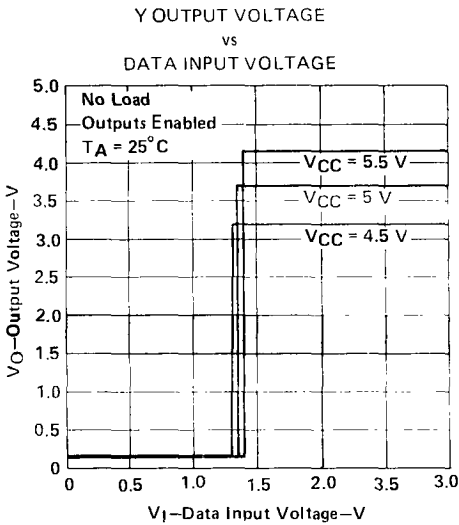


FIGURE 5

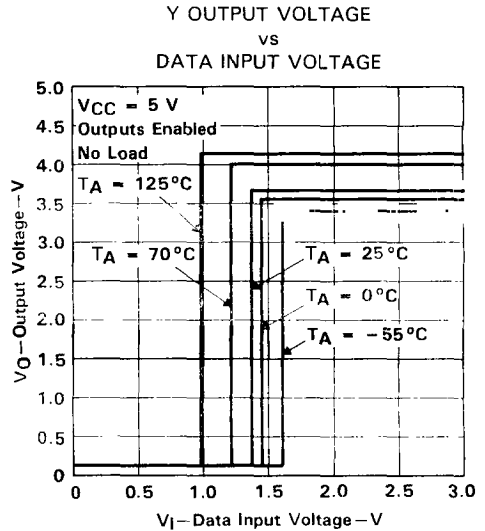


FIGURE 6

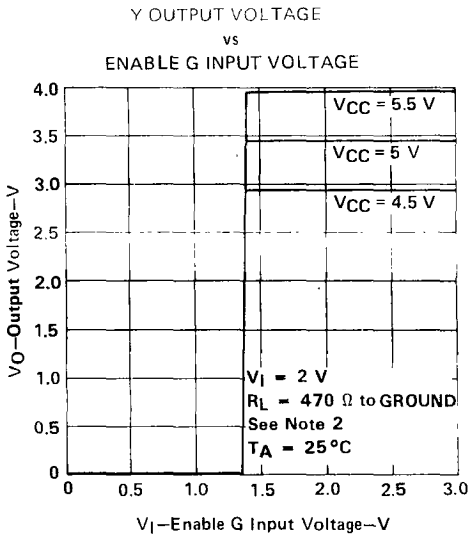


FIGURE 7

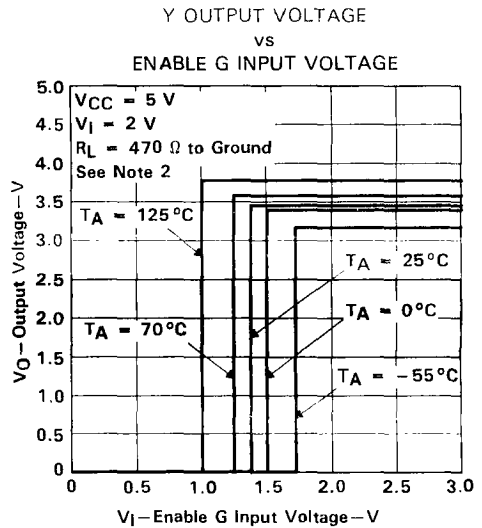


FIGURE 8

†Data for temperatures below 0°C and above 70°C are applicable to SN55ALS194 circuits only.

NOTE 2: The A input is connected to V_{CC} during the testing of the Y outputs and to ground during the testing of the Z outputs.

SN55ALS194, SN75ALS194
QUADRUPLE DIFFERENTIAL LINE DRIVERS
WITH 3-STATE OUTPUTS

TYPICAL CHARACTERISTICS†

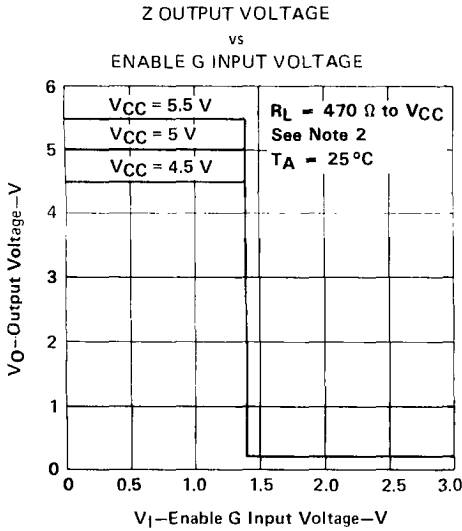


FIGURE 9

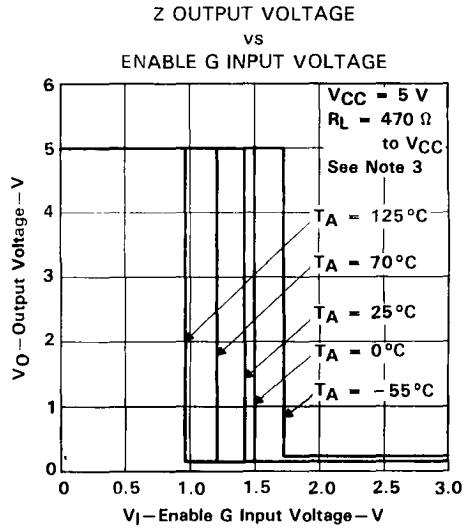


FIGURE 10

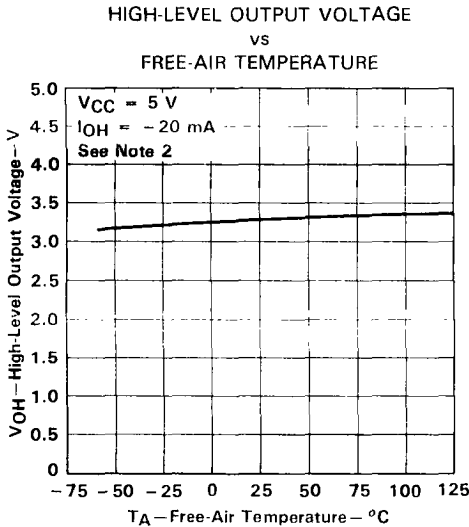


FIGURE 11

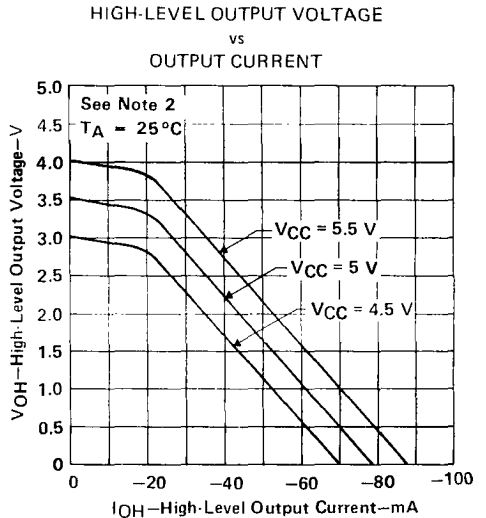


FIGURE 12

†Data for temperatures below 0°C and above 70°C are applicable to the SN55ALS194 circuits only.

NOTES: 2. The A input is connected to V_{CC} during the testing of the Y outputs and to ground during the testing of the Z outputs.

3. The A input is connected to ground during the testing of the Y outputs and to V_{CC} during the testing of the Z outputs.

SN55ALS194, SN75ALS194 QUADRUPLE DIFFERENTIAL LINE DRIVERS WITH 3-STATE OUTPUTS

TYPICAL CHARACTERISTICS†

LOW-LEVEL OUTPUT VOLTAGE
vs
FREE-AIR TEMPERATURE

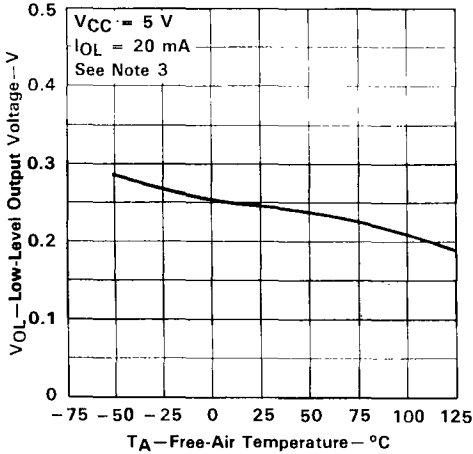


FIGURE 13

LOW-LEVEL OUTPUT VOLTAGE
vs
OUTPUT CURRENT

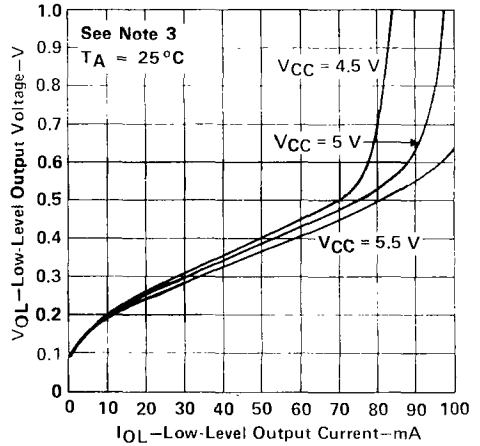


FIGURE 14

SUPPLY CURRENT
vs
SUPPLY VOLTAGE

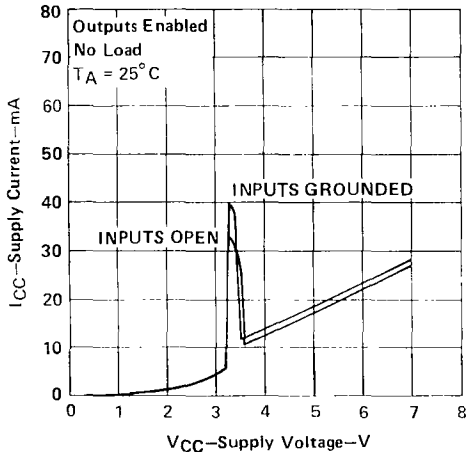


FIGURE 15

SUPPLY CURRENT
vs
SUPPLY VOLTAGE

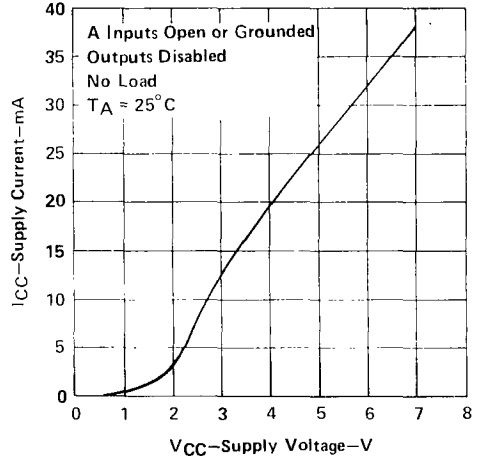


FIGURE 16

† Data for temperatures below 0°C and above 70°C are applicable to the SN55ALS194 circuits only.

NOTE 3: The A input is connected to ground during the testing of the Y outputs and to VCC during the testing of the Z outputs.

**SN55ALS194, SN75ALS194
QUADRUPLE DIFFERENTIAL LINE DRIVERS
WITH 3-STATE OUTPUTS**

TYPICAL CHARACTERISTICS

SUPPLY CURRENT
vs
FREQUENCY

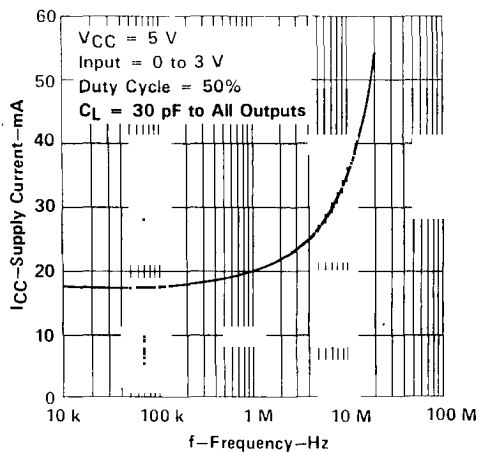


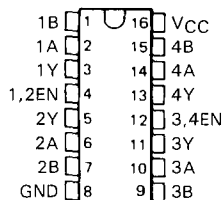
FIGURE 17

SN55ALS195, SN75ALS195 QUADRUPLE DIFFERENTIAL LINE RECEIVERS WITH 3-STATE OUTPUTS

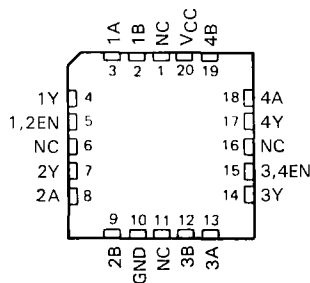
D2928, JUNE 1986—REVISED JUNE 1990

- Meets EIA Standards RS-422-A and RS-423-A
- Meets CCITT Recommendations V.10, V.11, X.26, and X.27
- -7 V to 7 V Common-Mode Range With 200-mV Sensitivity
- 3-State TTL-Compatible Outputs
- High Input Impedance . . . 12 k Ω Min
- Input Hysteresis . . . 120 mV Typ
- Single 5-V Supply Operation
- Low Supply Current Requirement . . . 35 mA Max
- Improved Speed and Power Consumption Compared to MC3486

SN55ALS195, SN75ALS195 . . . J PACKAGE
(TOP VIEW)



SN55ALS195 . . . FK PACKAGE
(TOP VIEW)



NC—No internal connection

description

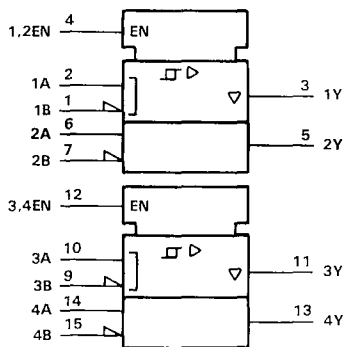
The SN55ALS195 and SN75ALS195 are monolithic quadruple line receivers with 3-state outputs designed using Advanced Low-Power Schottky technology. This technology provides combined improvements in die design, tooling production, and wafer fabrication, which in turn, provide lower power consumption and permit much higher data throughput than other designs. The devices meet the specifications of EIA Standards RS-422-A and RS-423-A. The 3-state outputs permit direct connection to a bus-organized system with a fail-safe design that ensures the outputs will always be high if the inputs are open.

The devices are optimized for balanced multipoint bus transmission at rates up to 20M b/s. The input features high input impedance, input hysteresis for increased noise immunity, and an input sensitivity of ± 200 mV over a common-mode input voltage range of ± 7 V. The devices also feature an active-high enable function for each of two receiver pairs. The SN55ALS195 and SN75ALS195 are designed for optimum performance when used with the SN55ALS194 and SN75ALS194 quadruple differential line drivers.

The SN55ALS195 is characterized for operation from -55°C to 125°C . The SN75ALS195 is characterized for operation from 0°C to 70°C .

SN55ALS195, SN75ALS195 QUADRUPLE DIFFERENTIAL LINE RECEIVERS WITH 3-STATE OUTPUTS

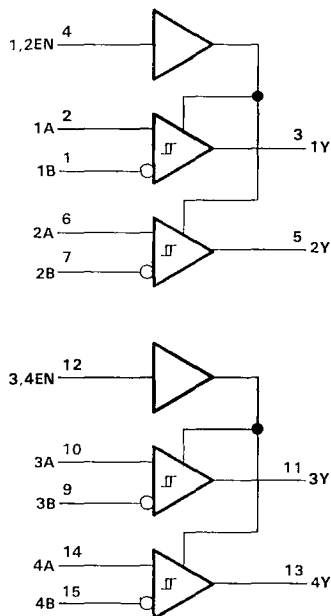
logic symbol†



†This symbol is in accordance with ANSI/IEEE Std 91-1984 and IEC Publication 617-12.

Pin numbers shown are for the J package.

logic diagram



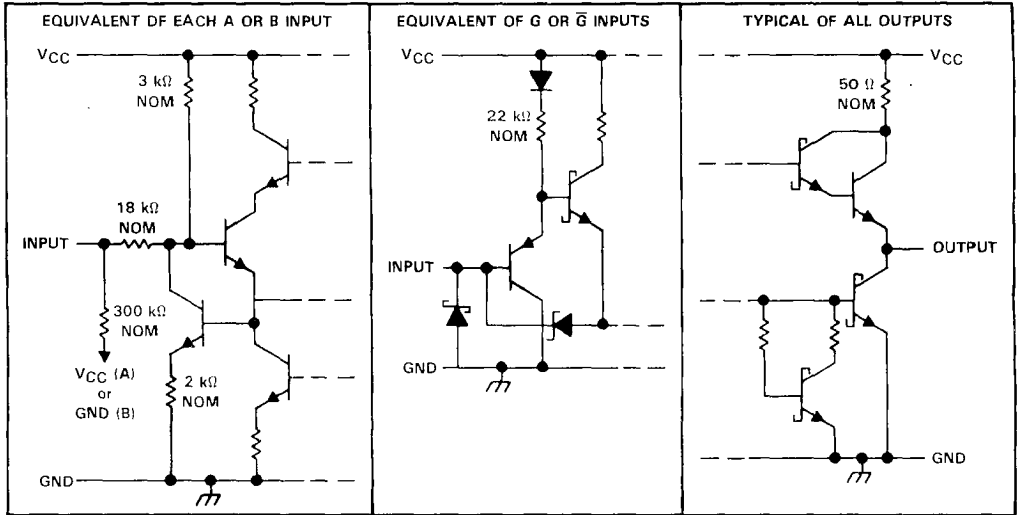
FUNCTION TABLE (EACH RECEIVER)

DIFFERENTIAL INPUTS A-B	ENABLE	OUTPUT Y
$V_{ID} \geq 0.2 \text{ V}$	H	H
$-0.2 \text{ V} < V_{ID} < 0.2 \text{ V}$	H	?
$V_{ID} \leq -0.2 \text{ V}$	H	L
X	L	Z

H = high level, L = low level, X = irrelevant,
? = indeterminate, and Z = high impedance (off)

SN55ALS195, SN75ALS195 QUADRUPLE DIFFERENTIAL LINE RECEIVERS WITH 3-STATE OUTPUTS

schematics of inputs and outputs



absolute maximum ratings over operating free-air temperature range (unless otherwise noted)[†]

Supply voltage, V_{CC} (see Note 1)	7 V
Input voltage, A or B inputs, V_I	± 15 V
Differential input voltage (see Note 2)	± 15 V
Enable input voltage	7 V
Low-level output current	50 mA
Continuous total dissipation	See Dissipation Rating Table
Operating free-air temperature range: SN55ALS195	-55°C to 125°C
SN75ALS195	0°C to 70°C
Storage temperature range	-65°C to 150°C
Case temperature for 60 seconds: FK package	260°C
Lead temperature 1,6 mm (1/16 inch) from case for 60 seconds: J package	300°C

[†]Stresses beyond those listed under "absolute maximum ratings" may cause permanent damage to the device. These are stress ratings only and functional operation of the device at these or any other conditions beyond those indicated under "recommended operating conditions" is not implied. Exposure to absolute-maximum-rated conditions for extended periods may affect device reliability.

NOTES: 1. All voltage values, except differential input voltage, are with respect to network ground terminal.

2. Differential-input voltage is measured at the noninverting input with respect to the corresponding inverting input.

DISSIPATION RATING TABLE

PACKAGE	$T_A \leq 25^\circ\text{C}$ POWER RATING	DERATING FACTOR ABOVE $T_A = 25^\circ\text{C}$	$T_A = 70^\circ\text{C}$ POWER RATING	$T_A = 125^\circ\text{C}$ POWER RATING
FK	1375 mW	11.0 mW/ $^\circ\text{C}$	880 mW	nW
J (SN55ALS195)	1375 mW	11.0 mW/ $^\circ\text{C}$	880 mW	275 mW
J (SN75ALS195)	1025 mW	8.2 mW/ $^\circ\text{C}$	656 mW	N/A

SN55ALS195, SN75ALS195 QUADRUPLE DIFFERENTIAL LINE RECEIVERS WITH 3-STATE OUTPUTS

recommended operating conditions

	SN55ALS195			SN75ALS195			UNIT
	MIN	NOM	MAX	MIN	NOM	MAX	
Supply voltage, V_{CC}	4.5	5	5.5	4.75	5	5.25	V
non-mode input voltage, V_{IC}				±7			V
differential input voltage, V_{ID}				±12			V
High-level input voltage, V_{IH}	2			2			V
Low-level input voltage, V_{IL}				0.8			V
High-level output current, I_{OH}				-400			μA
Low-level output current, I_{OL}				16			mA
Operating free-air temperature, T_A	-55			125			0 70 °C

electrical characteristics over recommended ranges of common-mode input voltage, supply voltage, and operating free-air temperature (unless otherwise noted)

PARAMETER	TEST CONDITIONS†		MIN	TYP‡	MAX	UNIT
V_{T+} Positive-going threshold voltage					200	mV
V_{T-} Negative-going threshold voltage			-200§			mV
V_{hys} Hysteresis¶			120			mV
V_{IK} Enable-input clamp voltage	$V_{CC} = \text{MIN},$	$I_I = -18 \text{ mA}$			-1.5	V
V_{OH} High-level output voltage	$V_{CC} = \text{MIN},$ $I_{OH} = -400 \text{ } \mu\text{A},$	$V_{ID} = 200 \text{ mV},$ See Figure 1	2.5	3.6		V
V_{OL} Low-level output voltage	$V_{CC} = \text{MIN},$ $V_{ID} = -200 \text{ mV},$ See Figure 1	$I_{OL} = 8 \text{ mA}$			0.45	V
		$I_{OL} = 16 \text{ mA}$			0.5	
I_{OZ} High-impedance state output current	$V_{CC} = \text{MAX},$ $V_{ID} = -3 \text{ V},$	$V_{IL} = 0.8 \text{ V},$ $V_O = 2.7 \text{ V}$			20	μA
	$V_{CC} = \text{MAX},$ $V_{ID} = 3 \text{ V},$	$V_{IL} = 0.8 \text{ V},$ $V_O = 0.5 \text{ V}$			-20	
I_I Line input current	Other input at 0 V, See Note 3	$V_{CC} = \text{MAX}, V_I = 15 \text{ V}$ $V_{CC} = \text{MIN}, V_I = -15 \text{ V}$			0.7 1.2 -1.0 -1.7	mA
I_{IH} High-level enable-input current	$V_{CC} = \text{MAX}$	$V_{IH} = 2.7 \text{ V}$			20	μA
		$V_{IH} = 5.25 \text{ V}$			100	
I_{IL} Low-level enable-input current	$V_{CC} = \text{MAX},$	$V_{IL} = 0.4 \text{ V}$			-100	μA
Input resistance			12	18		kΩ
I_{OS} Short-circuit output current	$V_{CC} = \text{MAX},$ $V_O = 0,$	$V_{ID} = 3 \text{ V},$ See Note 4	-15	-78	-130	mA
I_{CC} Supply current	$V_{CC} = \text{MAX},$ Outputs disabled				22 35	mA

†For conditions shown as MIN or MAX, use the appropriate values specified under recommended operating conditions.

‡All typical values are at $V_{CC} = 5 \text{ V}, T_A = 25^\circ\text{C}.$

§The algebraic convention, in which the less positive limit is designated minimum, is used in this data sheet for threshold voltage levels only.

¶Hysteresis is the difference between the positive-going input threshold voltage, $V_{T+},$ and the negative-going input threshold voltage, $V_{T-}.$

NOTES: 3. Refer to EIA Standard RS-422-A and RS-423-A for exact conditions.

4. Not more than one output should be shorted at a time and the duration of the short circuit should not exceed one second.

SN55ALS195, SN75ALS195 QUADRUPLE DIFFERENTIAL LINE RECEIVERS WITH 3-STATE OUTPUTS

switching characteristics, $V_{CC} = 5\text{ V}$, $T_A = 25^\circ\text{C}$

PARAMETER	TEST CONDITIONS	MIN	TYP	MAX	UNIT
t_{PLH} Propagation delay time, low- to high-level output	$V_{ID} = 0\text{ V to } 3\text{ V}$, $C_L = 15\text{ pF}$,		15	22	ns
t_{PHL} Propagation delay time, high- to low-level output	See Figure 2		15	22	ns
t_{PZH} Output enable time to high level	$C_L = 15\text{ pF}$, See Figure 3		13	25	ns
t_{PZL} Output enable time to low level			10	25	ns
t_{PHZ} Output disable time from high level	$C_L = 15\text{ pF}$, See Figure 3		19	25	ns
t_{PLZ} Output disable time from low level			17	22	ns

PARAMETER MEASUREMENT INFORMATION

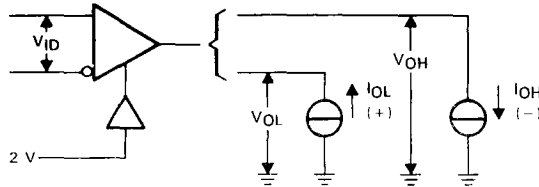
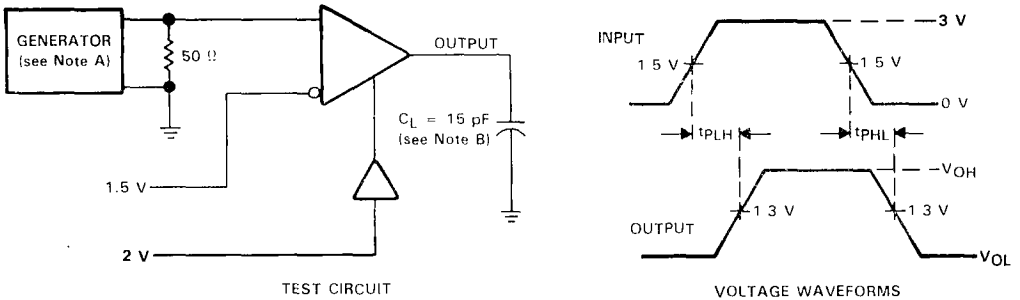


FIGURE 1. V_{OH} , V_{OL}

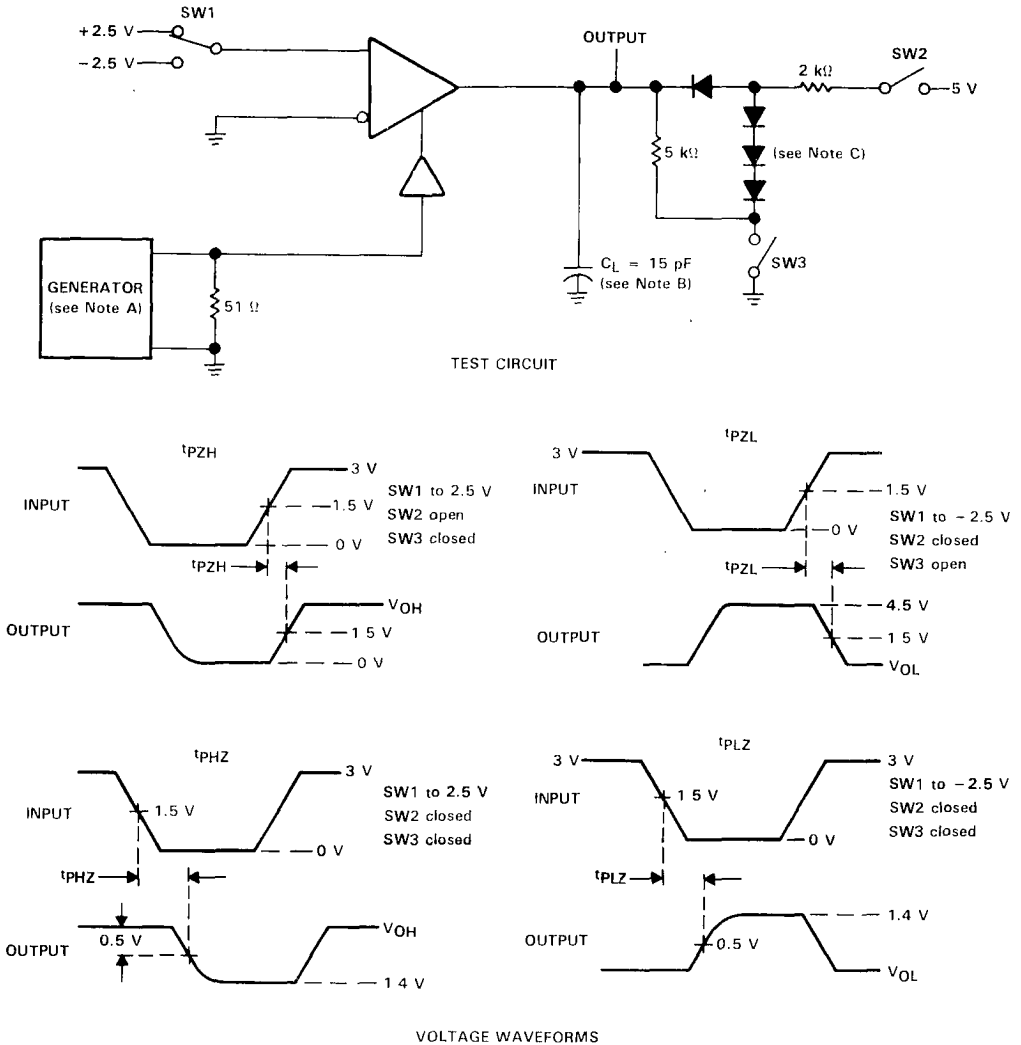


- NOTES: A. The input pulse is supplied by a generator having the following characteristics: $PRR \leq 1\text{ MHz}$, duty cycle $\leq 50\%$, $Z_{out} = 50\ \Omega$, $t_r \leq 6\text{ ns}$, $t_f \leq 6\text{ ns}$.
 B. C_L includes probe and jig capacitance.

FIGURE 2. PROPAGATION DELAY TIMES

SN55ALS195, SN75ALS195
QUADRUPLE DIFFERENTIAL LINE RECEIVERS
WITH 3-STATE OUTPUTS

PARAMETER MEASUREMENT INFORMATION



- NOTES:** A. The input pulse is supplied by a generator having the following characteristics: PRR ≤ 1 MHz, duty cycle ≤ 50%, Z_{out} = 50 Ω, t_r ≤ 6 ns, t_f ≤ 6 ns.
 B. C_L includes probe and jig capacitance.
 C. All diodes are 1N3064 or equivalent.

FIGURE 3. ENABLE AND DISABLE TIMES

SN55ALS195, SN75ALS195
QUADRUPLE DIFFERENTIAL LINE RECEIVERS
WITH 3-STATE OUTPUTS

TYPICAL CHARACTERISTICS†

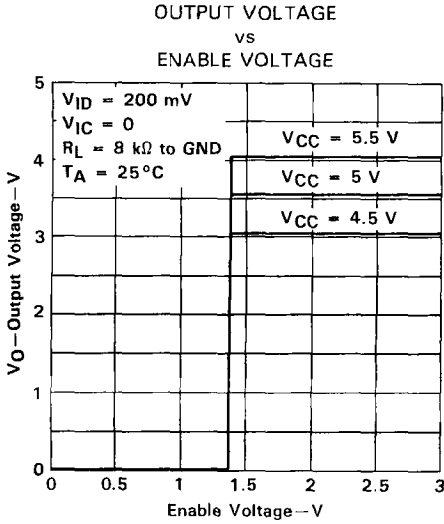


FIGURE 4

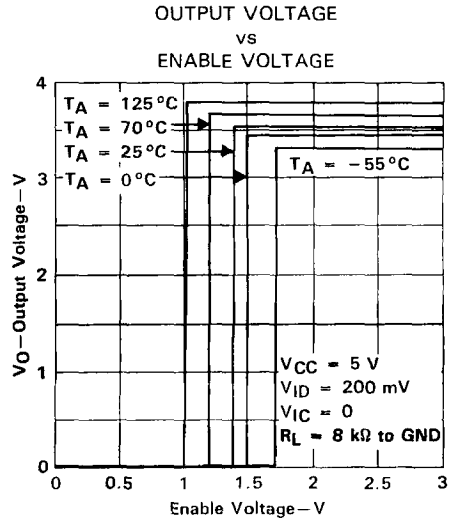


FIGURE 5

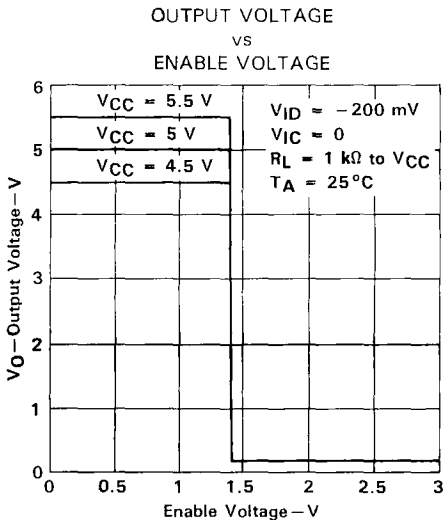


FIGURE 6

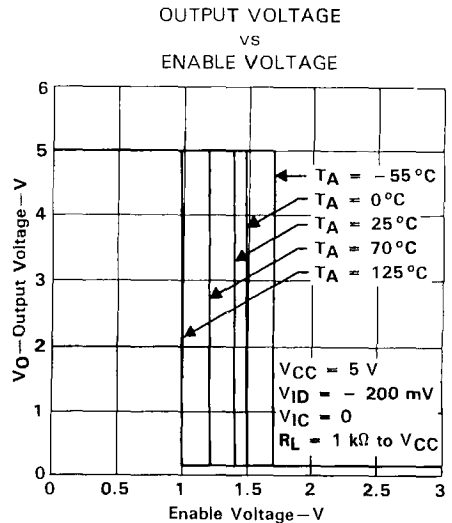


FIGURE 7

†Data for temperatures below 0°C and above 70°C, and below 4.75 V and above 5.25 V, are applicable to SN55ALS195 circuits only.

**SN55ALS195, SN75ALS195
QUADRUPLE DIFFERENTIAL LINE RECEIVERS
WITH 3-STATE OUTPUTS**

TYPICAL CHARACTERISTICS†

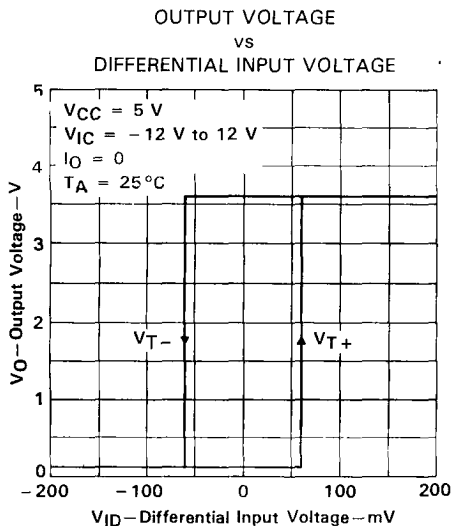


FIGURE 8

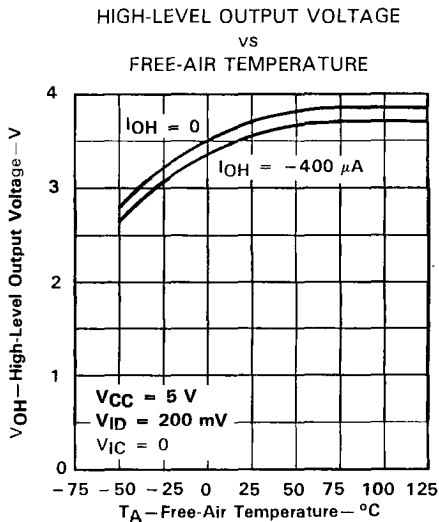


FIGURE 9

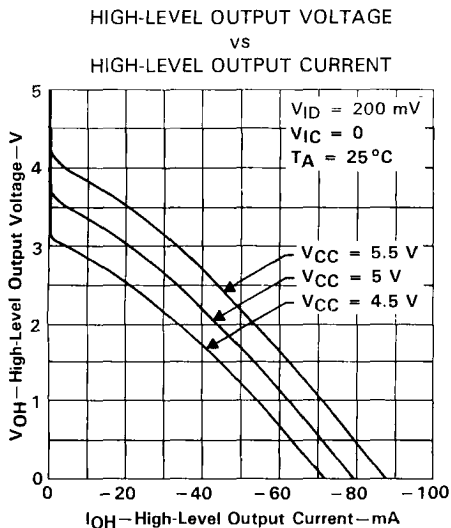


FIGURE 10

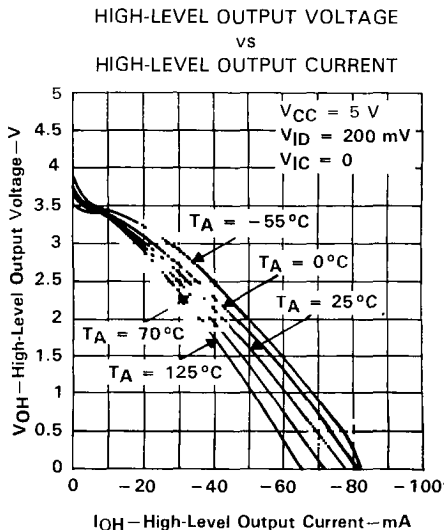


FIGURE 11

†Data for temperatures below 0°C and above 70°C, and below 4.75 V and above 5.25 V, are applicable to SN55ALS195 circuits only.

SN55ALS195, SN75ALS195
QUADRUPLE DIFFERENTIAL LINE RECEIVERS
WITH 3-STATE OUTPUTS

TYPICAL CHARACTERISTICS†

LOW-LEVEL OUTPUT VOLTAGE
 vs
 FREE-AIR TEMPERATURE

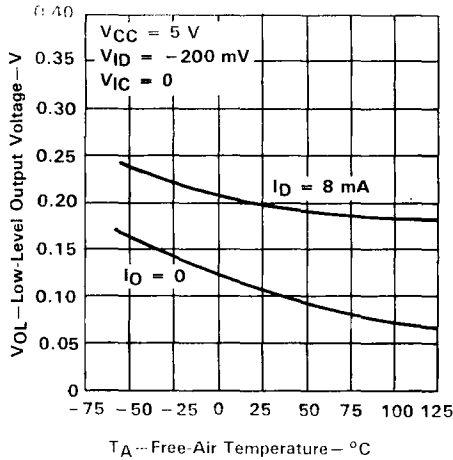


FIGURE 12

LOW-LEVEL OUTPUT VOLTAGE
 vs
 LOW-LEVEL OUTPUT CURRENT

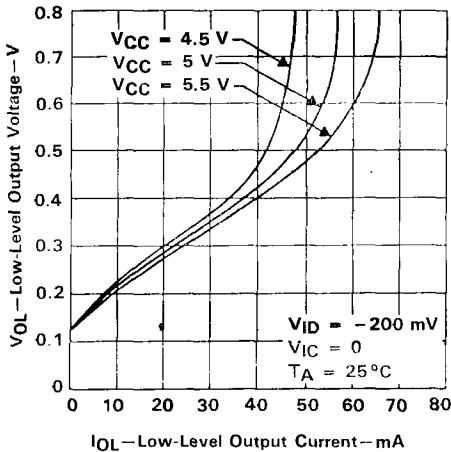


FIGURE 13

LOW-LEVEL OUTPUT VOLTAGE
 vs
 LOW-LEVEL OUTPUT CURRENT

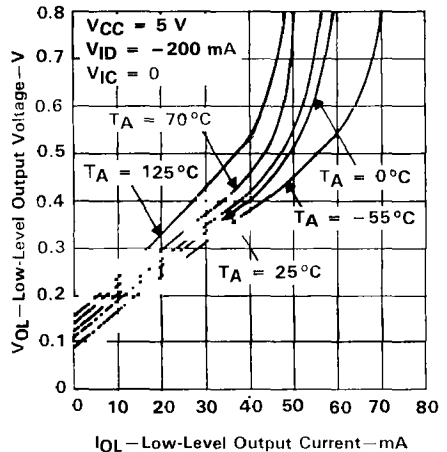
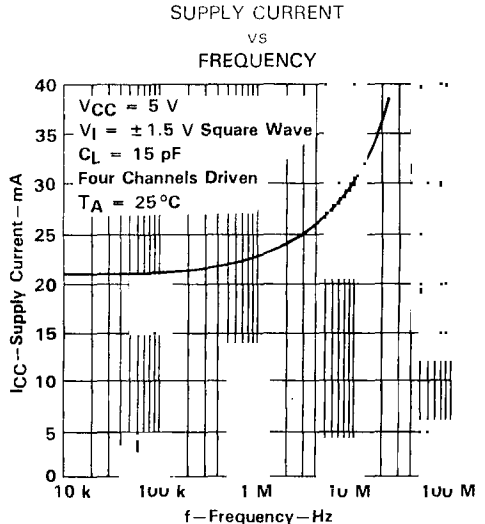
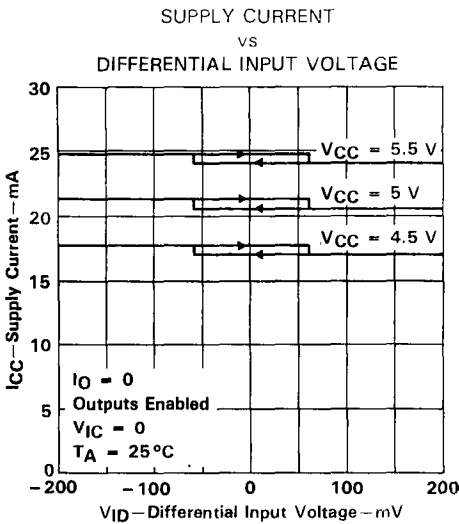
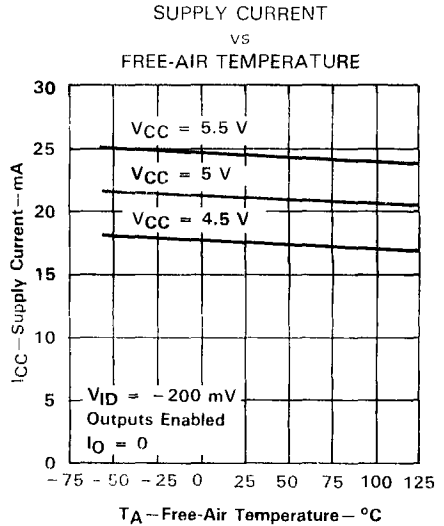
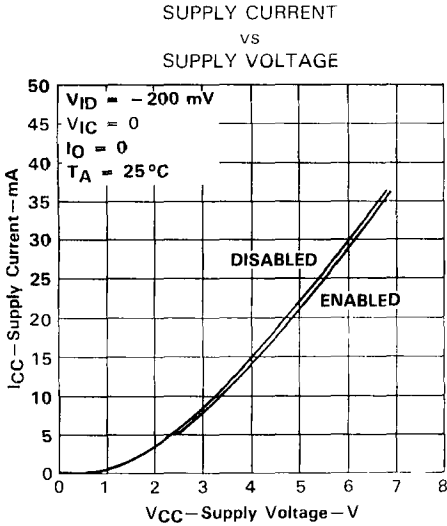


FIGURE 14

†Data for temperatures below 0 °C and above 70 °C, and below 4.75 V and above 5.25 V, are applicable to SN55ALS195 circuits only.

**SN55ALS195, SN75ALS195
QUADRUPLE DIFFERENTIAL LINE RECEIVERS
WITH 3-STATE OUTPUTS**

TYPICAL CHARACTERISTICS†



†Data for temperatures below 0°C and above 70°C, and below 4.75 V and above 5.25 V, are applicable to SN55ALS195 circuits only.



SN55ALS195, SN75ALS195
QUADRUPLE DIFFERENTIAL LINE RECEIVERS
WITH 3-STATE OUTPUTS

TYPICAL CHARACTERISTICS†

INPUT RESISTANCE
 vs
 FREE-AIR TEMPERATURE

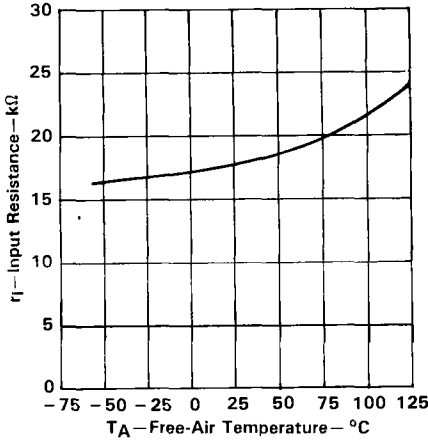


FIGURE 19

INPUT CURRENT
 vs
 INPUT VOLTAGE

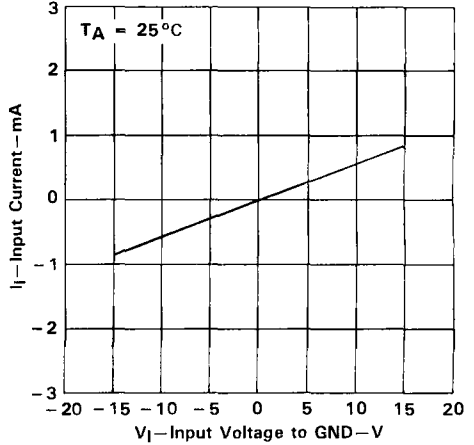


FIGURE 20

SWITCHING CHARACTERISTICS
 vs
 FREE-AIR TEMPERATURE

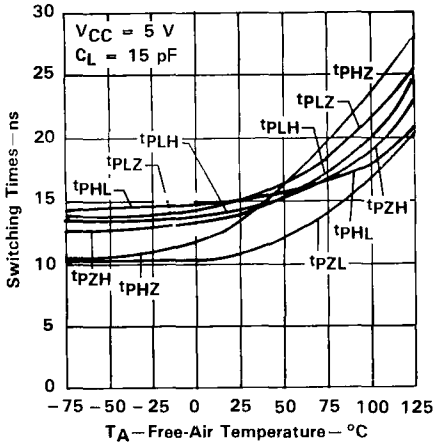


FIGURE 21

PROPAGATION DELAY TIME
 vs
 SUPPLY VOLTAGE

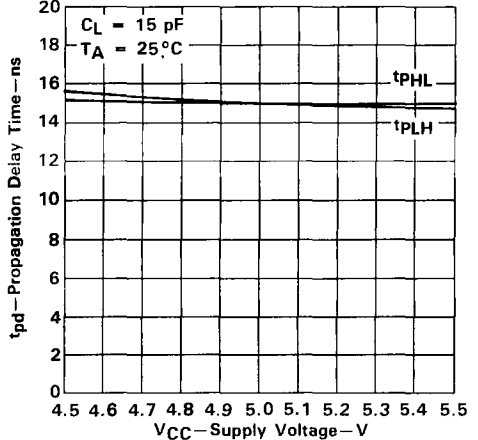


FIGURE 22

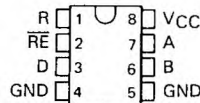
†Data for temperatures below 0°C and above 70°C, and below 4.75 V and above 5.25 V, are applicable to SN55ALS195 circuits only.

SN65076B, SN75076B DIFFERENTIAL BUS TRANSCIEVERS

D3407, JANUARY 1990

- Bidirectional Transceiver
- Designed for Multipoint Transmission in Noisy Environments Such as Automotive Applications
- 3-State Driver and Receiver Outputs
- Individual Driver and Receiver Enables
- Wide Positive and Negative Input/Output Bus Voltage Ranges
- Driver Output Capability. . . ± 10 mA Max
- Thermal Shutdown Protection
- Driver Positive and Negative Current Limiting
- Receiver Input Impedance . . . $12\text{ k}\Omega$ Min
- Receiver Input Sensitivity . . . ± 200 mV
- Receiver Input Hysteresis . . . 50 mV Typ
- Operates from Single 5-V Supply
- Low Power Requirements

D OR P PACKAGE
(TOP VIEW)



FUNCTION TABLE
(DRIVER)

INPUT D	OUTPUTS	
	A	B
H	H	L
L	L [†]	H [†]

[†]These levels assume that the open-collector outputs (A) and the open-emitter outputs (B) are connected to a pullup and pull-down resistor, respectively.

FUNCTION TABLE (RECEIVER)

DIFFERENTIAL INPUTS A - B	ENABLE $\overline{\text{RE}}$	OUTPUT R
$V_{\text{ID}} \geq 0.2\text{ V}$	L	L
$-0.2\text{ V} < V_{\text{ID}} < 0.2\text{ V}$	L	?
$V_{\text{ID}} \leq -0.2\text{ V}$	L	H
X	H	Z

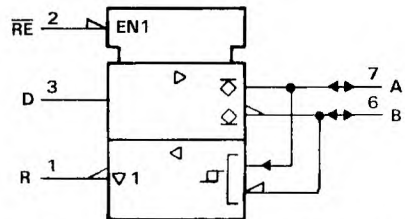
H = high level, L = low level, ? = indeterminate,
X = irrelevant, Z = high impedance (off)

description

The SN65076B and SN75076B differential bus transceivers are monolithic integrated circuits designed for bidirectional data communication on multipoint bus transmission lines. They are designed for noisy environments, where a low-impedance termination to ground is required.

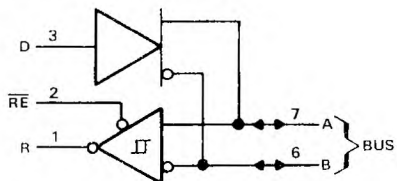
The SN65076B and SN75076B combine a differential line driver and a differential input line receiver, both of which operate from a single 5-V power supply. The receiver has an active-low enable. The driver differential outputs and the receiver differential inputs are connected internally to form differential input/output (I/O) bus ports that are designed to offer minimum loading to the bus whenever the driver is disabled or $V_{\text{CC}} = 0$. These ports feature wide positive and negative common-mode voltage ranges making the device suitable for party-line applications.

logic symbol[†]



[†]This symbol is in accordance with ANSI/IEEE Std 91-1984 and IEC Publication 617-12.

logic diagram (positive logic)

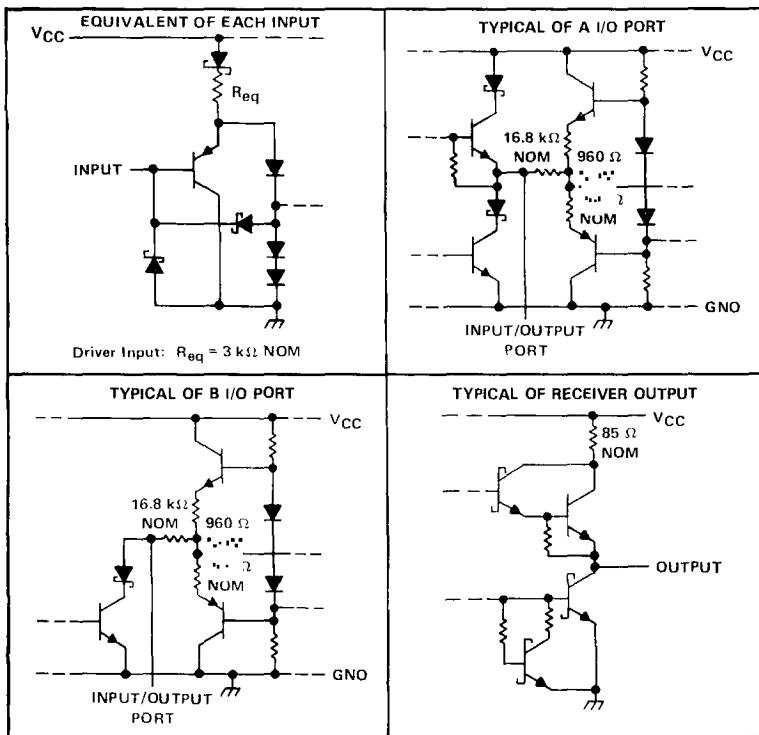


SN65076B, SN75076B DIFFERENTIAL BUS TRANSCEIVERS

description (continued)

The driver is designed to handle loads up to 10 mA of sink and source current. The driver features positive- and negative-current limiting and thermal shutdown for protection from line fault conditions. Thermal shutdown is designed to occur at a junction temperature of approximately 150°C in the P package and 170°C in the D package. The receiver features a minimum input impedance of 12 kΩ, an input sensitivity of ±200 mV, and a typical input hysteresis of 50 mV.

The SN65076B is characterized for operation from -40°C to 105°C and the SN75076B is characterized for operation from 0°C to 70°C.



SN65076B, SN75076B DIFFERENTIAL BUS TRANSCEIVERS

absolute maximum ratings over operating free-air temperature range (unless otherwise noted)

Supply voltage, V_{CC} (see Note 1)	7 V
Voltage at any bus terminal	-10 V to 15 V
Enable input voltage	5.5 V
Continuous total power dissipation (see Note 2)	See Dissipation Rating Table
Operating free-air temperature range: SN65076B	-40°C to 105°C
SN75076B	0°C to 70°C
Storage temperature range	-65°C to 150°C
Lead temperature 1,6 mm (1/16 inch) from the case for 10 seconds	260°C

NOTES: 1. All voltage values, except differential input/output bus voltage, are with respect to network ground terminal.

DISSIPATION RATING TABLE

PACKAGE	$T_A \leq 25^\circ\text{C}$	DERATING FACTOR	$T_A = 70^\circ\text{C}$	$T_A = 105^\circ\text{C}$
	POWER RATING	ABOVE $T_A = 25^\circ\text{C}$	POWER RATING	POWER RATING
D	725 mW	5.8 mW/°C	464 mW	261 mW
P	1100 mW	8.8 mW/°C	702 mW	396 mW

recommended operating conditions

		MIN	TYP	MAX	UNIT
Supply voltage, V_{CC}		4.75	5	5.25	V
Voltage at any bus terminal (separately or common mode), V_I or V_{IC}		12			V
		-7			
High-level input voltage, V_{IH}	D and \overline{RE}	2			V
Low-level input voltage, V_{IL}	D and \overline{RE}	0.8			V
Differential input voltage, V_{ID} (see Note 2)		±12			V
High-level output current, I_{OH}	Driver (A)	-10			mA
	Receiver	-400			µA
Low-level output current, I_{OL}	Driver (B)	10			mA
	Receiver	8			mA
Operating free-air temperature, T_A	S ⁺ 6B	-40			°C
	S ⁻ 6B	0			

NOTE 2: Differential input/output bus voltage is measured at the noninverting terminal A with respect to the inverting terminal B.

SN65076B, SN75076B
DIFFERENTIAL BUS TRANSCEIVERS

DRIVER SECTION

driver electrical characteristics over recommended ranges of supply voltage and operating free-air temperature (unless otherwise noted)

PARAMETER	TEST CONDITIONS	MIN	TYP [†]	MAX	UNIT
V _{IK}	Input clamp voltage	I _I = -18 mA		-1.5	V
V _O	Output voltage	V _I = 2 V, I _O = 0		0	V
V _{OD1}	Differential output voltage	I _O = 0		1.5	V
V _{OD2}	Differential output voltage	See Figure 1		1.5	V
I _O	Output current	V _I = 0.8 V	V _O = 12 V	1	mA
			V _O = -7 V	-0.8	
I _{IH}	High-level input current	V _I = 2.4 V		20	μA
I _{IL}	Low-level input current	V _I = 0.4 V		-	μA
I _{OS}	Short-circuit output current	V _O = -7 V		-	mA
		V _O = 0		-150	
		V _O = V _{CC}		-	
		V _O = 12 V		-	
I _{CC}	Supply current (total package)	No load		30	mA

[†]All typical values are at V_{CC} = 5 V and T_A = 25°C.

driver switching characteristics, V_{CC} = 5 V, T_A = 25°C

PARAMETER	TEST CONDITIONS	MIN	TYP	MAX	UNIT
t _{on}	Differential-output turn-on time	See Figure 3		60	ns
t _{off}	Differential-output turn-off time			75	ns



RECEIVER SECTION

receiver electrical characteristics over recommended ranges of common-mode input voltage, supply voltage, and operating free-air temperature (unless otherwise noted)

PARAMETER		TEST CONDITIONS	MIN	TYP [†]	MAX	UNIT
V _{TH}	Differential-input high-threshold voltage	V _O = 2.7 V, I _O = -0.4 mA			0.2	V
V _{TL}	Differential-input low-threshold voltage	V _O = 0.5 V, I _O = 8 mA	-0.2 [‡]			V
V _{hys}	Hysteresis [§]			50		mV
V _{IK}	Enable-input clamp voltage	I _I = -18 mA			-1.5	V
V _{OH}	High-level output voltage	V _{ID} = -200 mV, I _{OH} = -400 μA, See Figure 2		2.7		V
V _{OL}	Low-level output voltage	V _{ID} = -200 mV, I _{OL} = 8 mA, See Figure 2			0.45	V
I _{OZ}	High-impedance-state output current	V _O = 0.4 V to 2.4 V			±20	μA
I _I	Line input current	Other input = 0 V, V _I = 12 V See Note 3 V _I = -7 V			1	mA
I _{IH}	High-level enable-input current	V _{IH} = 2.7 V			20	μA
I _{IL}	Low-level enable-input current	V _{IL} = 0.4 V			-100	μA
r _i	Input resistance			12		kΩ
I _{OS}	Short-circuit output current		-15		-85	mA
I _{CC}	Supply current (total package)	No load			30	mA

[†]All typical values are at V_{CC} = 5 V, T_A = 25°C.

[‡]The algebraic convention, in which the less-positive (more-negative) limit is designated minimum, is used in this data sheet for threshold voltage levels only.

[§]Hysteresis is the difference between the positive-going input threshold voltage, V_{T+}, and the negative-going input threshold voltage, V_{T-}.

NOTE 3: This applies for both power on and power off.

receiver switching characteristics, V_{CC} = 5 V, T_A = 25°C

PARAMETER		TEST CONDITIONS	MIN	TYP	MAX	UNIT
t _{PLH}	Propagation delay time, low-to-high-level output	V _{ID} = 0 to 3 V,		21	35	ns
t _{PHL}	Propagation delay time, high-to-low-level output	C _L = 15 pF, See Figure 4		23	35	ns
t _{PZH}	Output enable time to high level	C _L = 15 pF, See Figure 5		10	20	ns
t _{PZL}	Output enable time to low level			12	20	ns
t _{PHZ}	Output disable time from high level	C _L = 15 pF, See Figure 5		20	35	ns
t _{PLZ}	Output disable time from low level			17	25	ns

PARAMETER MEASUREMENT INFORMATION

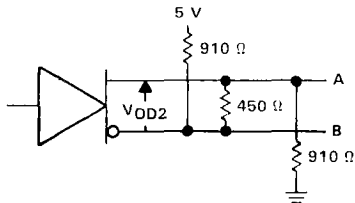


FIGURE 1. DRIVER VOD2

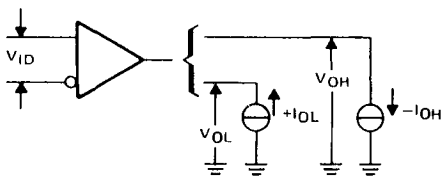
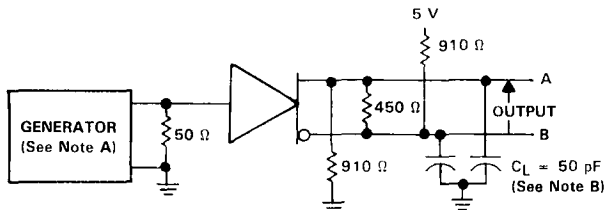
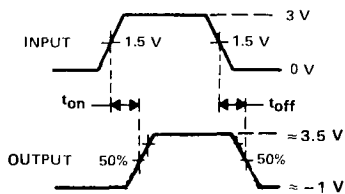


FIGURE 2. RECEIVER VOH AND VOL

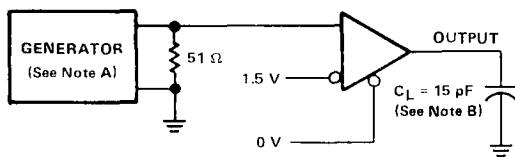


TEST CIRCUIT

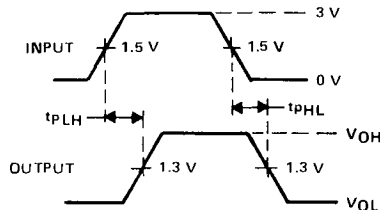


VOLTAGE WAVEFORMS

FIGURE 3. DRIVER DIFFERENTIAL-OUTPUT DELAY TIMES



TEST CIRCUIT



VOLTAGE WAVEFORMS

FIGURE 4. RECEIVER PROPAGATION DELAY TIMES

NOTES: A. The input pulse is supplied by a generator having the following characteristics: PRR \leq 500 kHz, 50% duty cycle, $t_r \leq$ 6 ns, $t_f \leq$ 6 ns, $Z_{out} \approx$ 50 Ω .
 B. C_L includes probe and jig capacitance.

PARAMETER MEASUREMENT INFORMATION

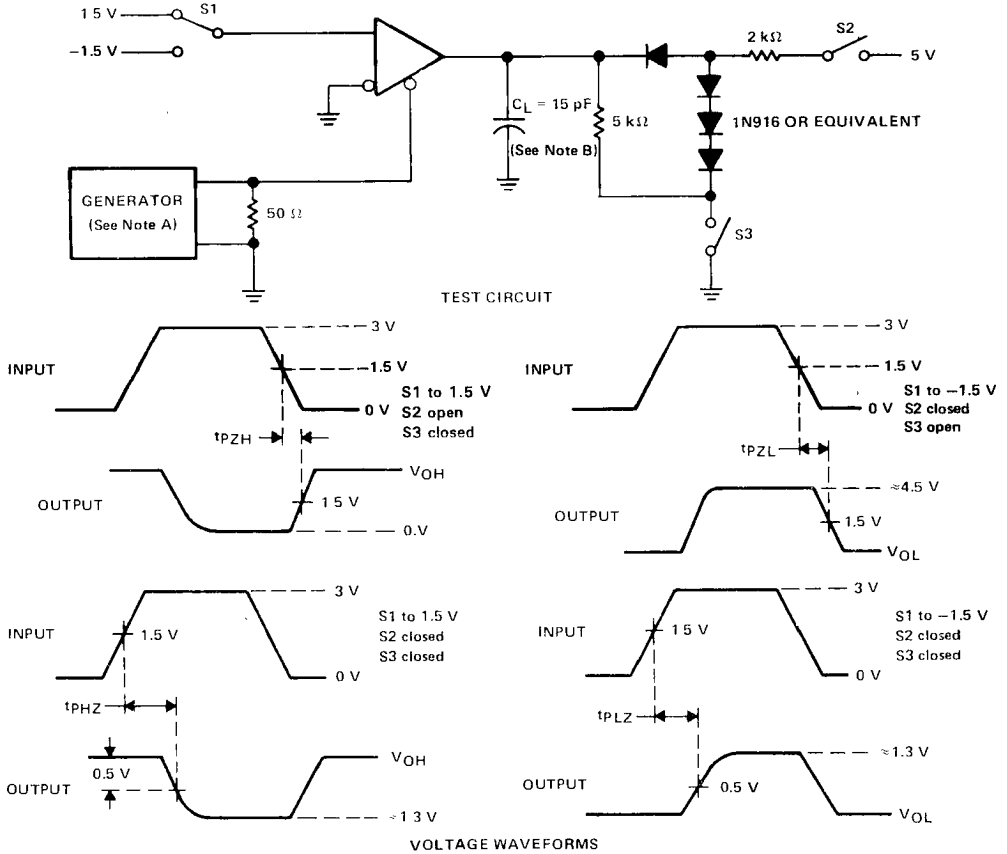


FIGURE 5. RECEIVER OUTPUT ENABLE AND DISABLE TIMES

- NOTES: A. The input pulse is supplied by a generator having the following characteristics: PRR \leq 500 kHz, 50% duty cycle, $t_r \leq$ 6 ns, $t_f \leq$ 6 ns, $Z_{out} = 50 \Omega$.
B. C_L includes probe and jig capacitance

SN65076B, SN75076B
DIFFERENTIAL BUS TRANSCEIVERS

TYPICAL CHARACTERISTICS

RECEIVER HIGH-LEVEL OUTPUT VOLTAGE
 vs
 HIGH-LEVEL OUTPUT CURRENT

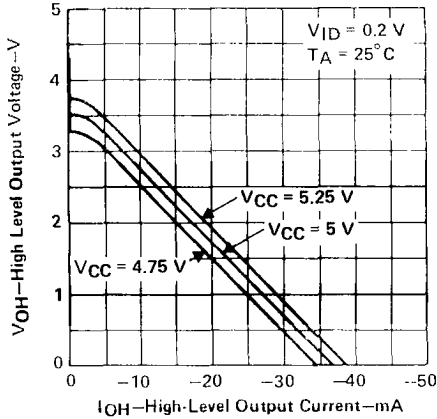


FIGURE 6

RECEIVER HIGH-LEVEL OUTPUT
 vs
 FREE-AIR TEMPERATURE

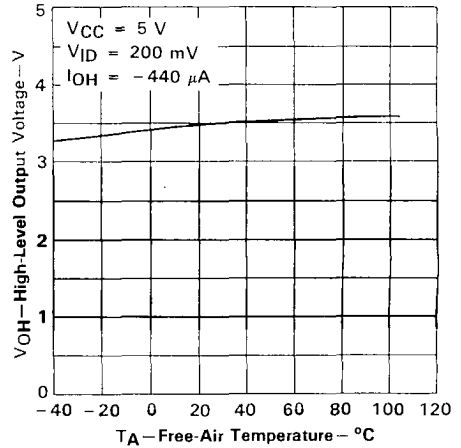


FIGURE 7

RECEIVER LOW-LEVEL OUTPUT VOLTAGE
 vs
 RECEIVER LOW-LEVEL OUTPUT CURRENT

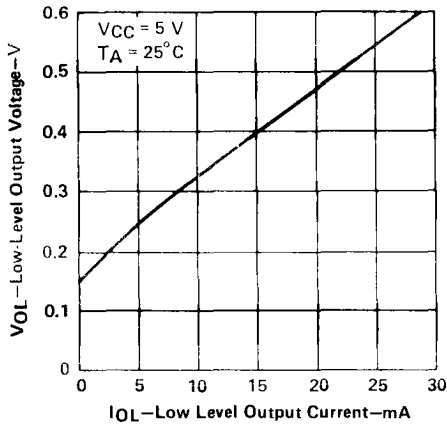


FIGURE 8

RECEIVER LOW-LEVEL OUTPUT VOLTAGE
 vs
 FREE-AIR TEMPERATURE

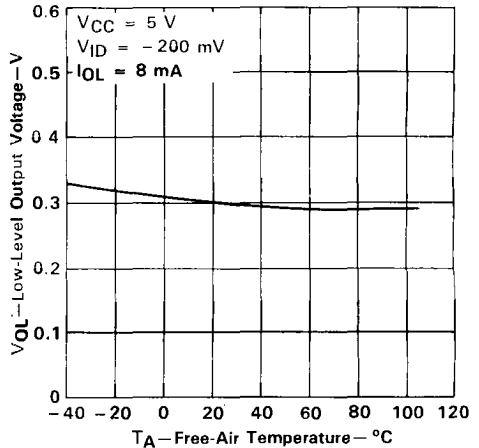


FIGURE 9

TYPICAL CHARACTERISTICS

RECEIVER OUTPUT VOLTAGE
vs
ENABLE VOLTAGE

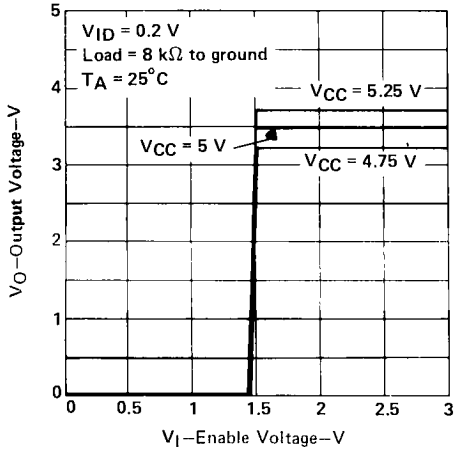


FIGURE 10

RECEIVER OUTPUT VOLTAGE
vs
ENABLE VOLTAGE

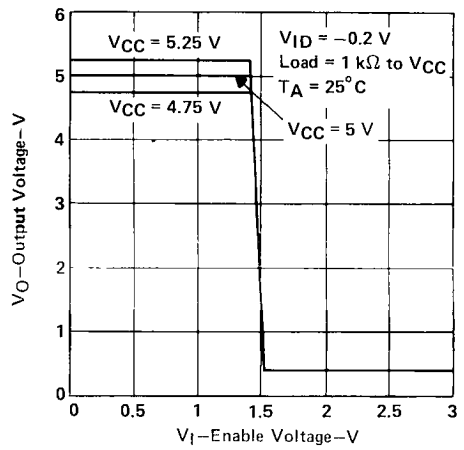


FIGURE 11

TYPICAL APPLICATION

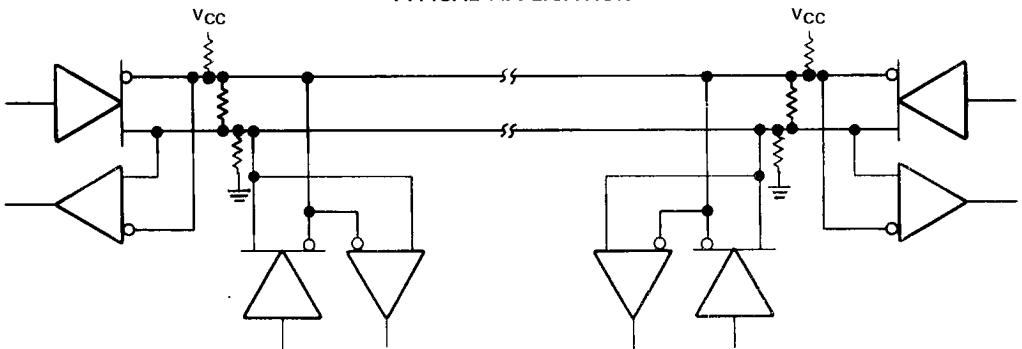


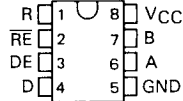
FIGURE 12. TYPICAL APPLICATION CIRCUIT

SN65176B, SN75176B DIFFERENTIAL BUS TRANSCEIVERS

D2619, JULY 1985—REVISED SEPTEMBER 1989

- Bidirectional Transceiver
- Meets EIA Standards RS-422-A and RS-485 and CCITT Recommendations V.11 and X.27
- Designed for Multipoint Transmission on Long Bus Lines in Noisy Environments
- 3-State Driver and Receiver Outputs
- Individual Driver and Receiver Enables
- Wide Positive and Negative Input/Output Bus Voltage Ranges
- Driver Output Capability. . . ± 60 mA Max
- Thermal Shutdown Protection
- Driver Positive and Negative Current Limiting
- Receiver Input Impedance . . . $12\text{ k}\Omega$ Min
- Receiver Input Sensitivity . . . ± 200 mV
- Receiver Input Hysteresis . . . 50 mV Typ
- Operates from Single 5-V Supply
- Low Power Requirements

D, JG, OR P PACKAGE
(TOP VIEW)



FUNCTION TABLE (DRIVER)

INPUT O	ENABLE DE	OUTPUTS	
		A	B
H	H	H	L
L	H	L	H
X	L	Z	Z

FUNCTION TABLE (RECEIVER)

DIFFERENTIAL INPUTS A - B	ENABLE $\overline{\text{RE}}$	OUTPUT R
$V_{ID} \geq 0.2\text{ V}$	L	H
$-0.2\text{ V} < V_{ID} < 0.2\text{ V}$	L	?
$V_{ID} < -0.2\text{ V}$	L	L
X	H	Z

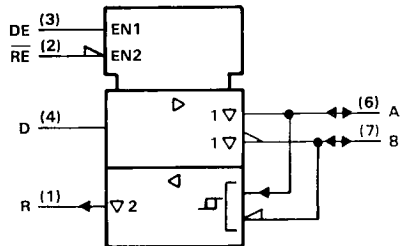
H = high level, L = low level, ? = indeterminate,
X = irrelevant, Z = high impedance (off)

description

The SN65176B and SN75176B differential bus transceivers are monolithic integrated circuits designed for bidirectional data communication on multipoint bus transmission lines. They are designed for balanced transmission lines and meet EIA Standard RS-422-A and RS-485 and CCITT Recommendations V.11 and X.27.

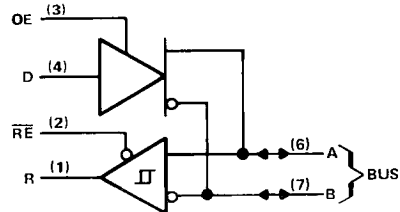
The SN65176B and SN75176B combine a 3-state differential line driver and a differential input line receiver both of which operate from a single 5-V power supply. The driver and receiver have active-high and active-low enables, respectively, that can be externally connected together to function as a direction control. The driver differential outputs and the receiver differential inputs are connected internally to form differential input/output (I/O) bus ports that are designed to offer minimum loading to the bus whenever the driver is disabled or $V_{CC} = 0$. These ports feature wide positive and negative common-mode voltage ranges making the device suitable for party-line applications.

logic symbol†



†This symbol is in accordance with ANSI/IEEE Std 91-1984 and IEC Publication 617-12.

logic diagram (positive logic)



PRODUCTION DATA documents contain information current as of publication date. Products conform to specifications per the terms of Texas Instruments standard warranty. Production processing does not necessarily include testing of all parameters.

TEXAS
INSTRUMENTS

POST OFFICE BOX 655303 • DALLAS, TEXAS 75285

Copyright © 1989, Texas Instruments Incorporated

SN65176B, SN75176B

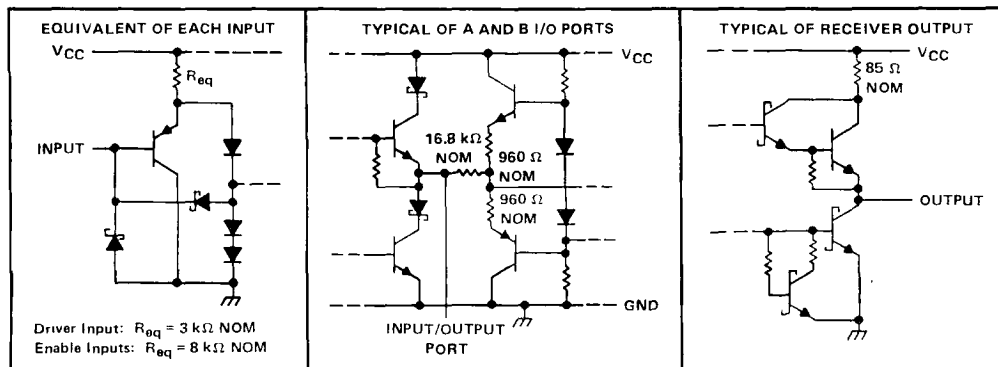
DIFFERENTIAL BUS TRANSCEIVERS

The driver is designed to handle loads up to 60 mA of sink or source current. The driver features positive- and negative-current limiting and thermal shutdown for protection from line fault conditions. Thermal shutdown is designed to occur at a junction temperature of approximately 150°C. The receiver features a minimum input impedance of 12 kΩ, an input sensitivity of ±200 mV, and a typical input hysteresis of 50 mV.

The SN65176B and SN75176B can be used in transmission line applications employing the SN75172 and SN75174 quadruple differential line drivers and SN75173 and SN75175 quadruple differential line receivers.

The SN65176B is characterized for operation from -40°C to 105°C and the SN75176B is characterized for operation from 0°C to 70°C.

schematics of inputs and outputs



SN65176B, SN75176B DIFFERENTIAL BUS TRANSCEIVERS

absolute maximum ratings over operating free-air temperature range (unless otherwise noted)

Supply voltage, V_{CC} (see Note 1)	7 V
Voltage at any bus terminal	-10 V to 15 V
Enable input voltage	5.5 V
Continuous total power dissipation (see Note 2)	See Dissipation Rating Table
Operating free-air temperature range: SN65176B	-40°C to 105°C
SN75176B	0°C to 70°C
Storage temperature range	-65°C to 150°C
Lead temperature 1,6 mm (1/16 inch) from the case for 10 seconds: D or P package	260°C
Lead temperature 1,6 mm (1/16 inch) from case for 60 seconds: JG package	300°C

- NOTES: 1. All voltage values, except differential input/output bus voltage, are with respect to network ground terminal.
 2. In the JG package, the chips are glass mounted.

DISSIPATION RATING TABLE

PACKAGE	$T_A = 25^\circ\text{C}$	DERATING FACTOR	$T_A = 70^\circ\text{C}$	$T_A = 105^\circ\text{C}$
	POWER RATING	ABOVE $T_A = 25^\circ\text{C}$	POWER RATING	POWER RATING
D	725 mW	5.8 mW/°C	464 mW	297 mW
JG	825 mW	6.6 mW/°C	528 mW	297 mW
P	1100 mW	8.8 mW/°C	702 mW	396 mW

recommended operating conditions

		MIN	TYP	MAX	UNIT	
Supply voltage, V_{CC}		4.75	5	5.25	V	
Voltage at any bus terminal (separately or common model), V_I or V_{IC}				12	V	
				-7		
High-level input voltage, V_{IH}	D, DE, and RE	2			V	
Low-level input voltage, V_{IL}	D, DE, and RE			0.8	V	
Differential input voltage, V_{ID} (see Note 3)				±12	V	
High-level output current, I_{OH}	Driver			-60	mA	
	Receiver			-400	µA	
Low-level output current, I_{OL}	Driver			60	mA	
	Receiver			8		
Operating free-air temperature, T_A	SN65176B			-40	105	°C
	SN75176B			0	70	

NOTE 3: Differential-input/output bus voltage is measured at the noninverting terminal A with respect to the inverting terminal B.



SN65176B, SN75176B DIFFERENTIAL BUS TRANSCEIVERS

DRIVER SECTION

driver electrical characteristics over recommended ranges of supply voltage and operating free-air temperature (unless otherwise noted)

PARAMETER		TEST CONDITIONS [†]		MIN	TYP [‡]	MAX	UNIT
V_{IK}	Input clamp voltage	$I_I = -18 \text{ mA}$				-1.5	V
V_O	Output voltage	$I_O = 0$		0		6	V
$ V_{OD1} $	Differential output voltage	$I_O = 0$		1.5		6	V
$ V_{OD2} $	Differential output voltage	$R_L = 100 \Omega$, See Figure 1		$\frac{1}{2} V_{OD1}$			
				2			V
V_{OD3}	Differential output voltage	$R_L = 54 \Omega$, See Figure 1		1.5	2.5	5	V
				See Note 4		1.5	
$\Delta V_{OD} $	Change in magnitude of differential output voltage [§]	$R_L = 54 \Omega$ or 100Ω , See Figure 1				± 0.2	V
V_{OC}	Common-mode output voltage					+3 -1	V
$\Delta V_{OC} $	Change in magnitude of common-mode output voltage [§]					± 0.2	V
I_O	Output current	Output disabled, See Note 5	$V_O = 12 \text{ V}$ $V_O = -7 \text{ V}$			1 -0.8	mA
I_{IH}	High-level input current	$V_I = 2.4 \text{ V}$				20	μA
I_{IL}	Low-level input current	$V_I = 0.4 \text{ V}$				-400	μA
I_{OS}	Short-circuit output current	$V_O = -7 \text{ V}$				-250	mA
		$V_O = 0$				-150	
		$V_O = V_{CC}$				250	
		$V_O = 12 \text{ V}$				250	
I_{CC}	Supply current (total package)	No load	Outputs enabled		42	55	mA
			Outputs disabled		26	35	

[†] The power-off measurement in EIA Standard RS-422-A applies to disabled outputs only and is not applied to combined inputs and outputs.

[‡] All typical values are at $V_{CC} = 5 \text{ V}$ and $T_A = 25^\circ\text{C}$.

[§] $\Delta|V_{OD}|$ and $\Delta|V_{OC}|$ are the changes in magnitude of V_{OD} and V_{OC} respectively, that occur when the input is changed from a high level to a low level.

NOTES: 4. See EIA Standard RS-485 Figure 3.5, Test Termination Measurement 2.

5. This applies for both power on and off; refer to EIA Standard RS-485 for exact conditions. The RS-422-A limit does not apply for a combined driver and receiver terminal.

driver switching characteristics, $V_{CC} = 5 \text{ V}$, $T_A = 25^\circ\text{C}$

PARAMETER		TEST CONDITIONS		MIN	TYP	MAX	UNIT
t_{DD}	Differential-output delay time	$R_L = 54 \Omega$, See Figure 3			15	22	ns
t_{TD}	Differential-output transition time				20	30	ns
t_{PZH}	Output enable time to high level	$R_L = 110 \Omega$, See Figure 4		85	120	ns	
t_{PZL}	Output enable time to low level	$R_L = 110 \Omega$, See Figure 5		40	60	ns	
t_{PHZ}	Output disable time from high level	$R_L = 110 \Omega$, See Figure 4		150	250	ns	
t_{PLZ}	Output disable time from low level	$R_L = 110 \Omega$, See Figure 5		20	30	ns	

SYMBOL EQUIVALENTS

DATA SHEET PARAMETER	RS-422-A	RS-485
V_O	V_{Oa}, V_{Ob}	V_{Oa}, V_{Ob}
$ V_{OD1} $	V_O	V_O
$ V_{OD2} $	$V_t (R_L = 100 \Omega)$	$V_t (R_L = 54 \Omega)$
$ V_{OD3} $		V_t (Test Termination Measurement 2)
$\Delta V_{OD} $	$ V_t - \bar{V}_t $	$ V_t - \bar{V}_t $
V_{OC}	$ V_{os} $	$ V_{os} $
$\Delta V_{OC} $	$ V_{os} - \bar{V}_{os} $	$ V_{os} - \bar{V}_{os} $
I_{OS}	$ I_{sa} , I_{sb} $	
I_O	$ I_{xa} , I_{xb} $	I_{ia}, I_{ib}

RECEIVER SECTION

receiver electrical characteristics over recommended ranges of common-mode input voltage, supply voltage, and operating free-air temperature (unless otherwise noted)

PARAMETER	TEST CONDITIONS	MIN	TYP [†]	MAX	UNIT	
V_{TH} Differential-input high-threshold voltage	$V_O = 2.7 V, I_O = -0.4 mA$			0.2	V	
V_{TL} Differential-input low-threshold voltage	$V_O = 0.5 V, I_O = 8 mA$	-0.2 [‡]			V	
V_{hys} Hysteresis [§]			50		mV	
V_{IK} Enable-input clamp voltage	$I_I = -18 mA$			-1.5	V	
V_{OH} High-level output voltage	$V_{ID} = -200 mV, I_{OH} = -400 \mu A,$ See Figure 2		2.7		V	
V_{OL} Low-level output voltage	$V_{ID} = -200 mV, I_{OL} = 8 mA,$ See Figure 2			0.45	V	
I_{OZ} High-impedance-state output current	$V_O = 0.4 V$ to 2.4 V			± 20	μA	
I_I Line input current	Other input = 0 V, $V_I = 12 V$ See Note 6 $V_I = -7 V$			1 -0.8	mA	
I_{IH} High-level enable-input current	$V_{IH} = 2.7 V$			20	μA	
I_{IL} Low-level enable-input current	$V_{IL} = 0.4 V$			-100	μA	
r_i Input resistance			12		k Ω	
I_{OS} Short-circuit output current			-15	-85	mA	
I_{CC} Supply current (total package)	No load	Outputs enabled		42	55	mA
		Outputs disabled		26	35	

[†] All typical values are at $V_{CC} = 5 V, T_A = 25^\circ C$.

[‡] The algebraic convention, in which the less-positive (more-negative) limit is designated minimum, is used in this data sheet for common-mode input voltage and threshold voltage levels only.

[§] Hysteresis is the difference between the positive-going input threshold voltage, V_{T+} , and the negative-going input threshold voltage, V_{T-} . See Figure 4.

NOTE 6: This applies for both power on and power off. Refer to EIA Standard RS-485 for exact conditions.

receiver switching characteristics, $V_{CC} = 5 V, T_A = 25^\circ C$

PARAMETER	IF-T CONDITIONS	MIN	TYP	MAX	UNIT
tp_{LH} Propagation delay time, low-to-high-level output	$V_{ID} = \sim$ to 3 V,		21	35	ns
tp_{HL} Propagation delay time, high-to-low-level output	$C_L = 15 pF,$ See Figure 6		23	35	ns
tp_{ZH} Output enable time to high level	$C_L = 15 pF,$ See Figure 7		10	20	ns
tp_{ZL} Output enable time to low level			12	20	ns
tp_{HZ} Output disable time from high level	$C_L = 15 pF,$ See Figure 7		20	35	ns
tp_{LZ} Output disable time from low level			17	25	ns

**SN65176B, SN75176B
DIFFERENTIAL BUS TRANSCEIVERS**

PARAMETER MEASUREMENT INFORMATION

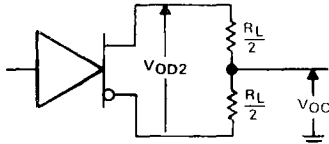


FIGURE 1. DRIVER V_{OD} AND V_{OC}

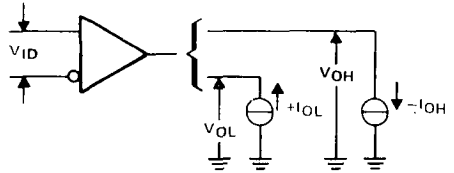
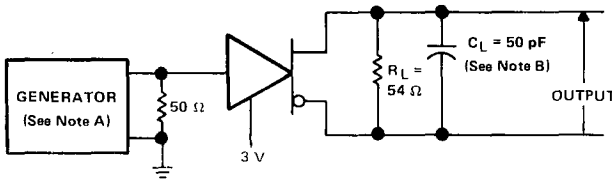
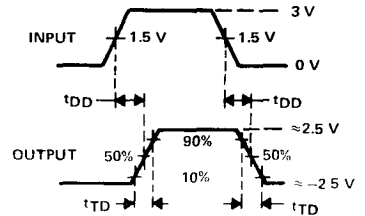


FIGURE 2. RECEIVER V_{OH} AND V_{OL}

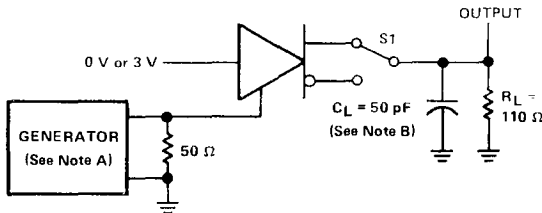


TEST CIRCUIT

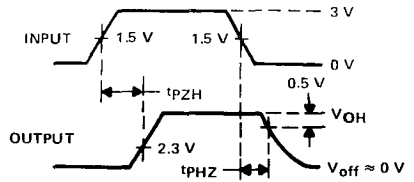


VOLTAGE WAVEFORMS

FIGURE 3. DRIVER DIFFERENTIAL-OUTPUT DELAY AND TRANSITION TIMES

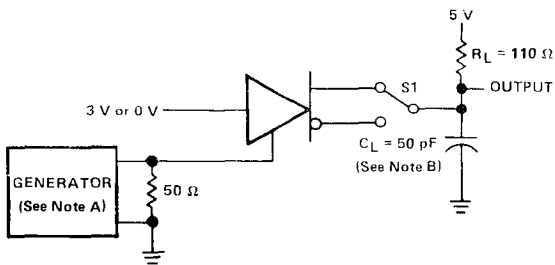


TEST CIRCUIT

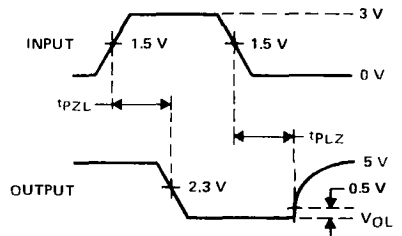


VOLTAGE WAVEFORMS

FIGURE 4. DRIVER ENABLE AND DISABLE TIMES



TEST CIRCUIT



VOLTAGE WAVEFORMS

FIGURE 5. DRIVER ENABLE AND DISABLE TIMES

NOTES: A. The input pulse is supplied by a generator having the following characteristics: PRR \leq 1 MHz, 50% duty cycle, $t_r \leq$ 6 ns, $t_f \leq$ 6 ns, $Z_{out} = 50 \Omega$.
B. C_L includes probe and jig capacitance.

PARAMETER MEASUREMENT INFORMATION

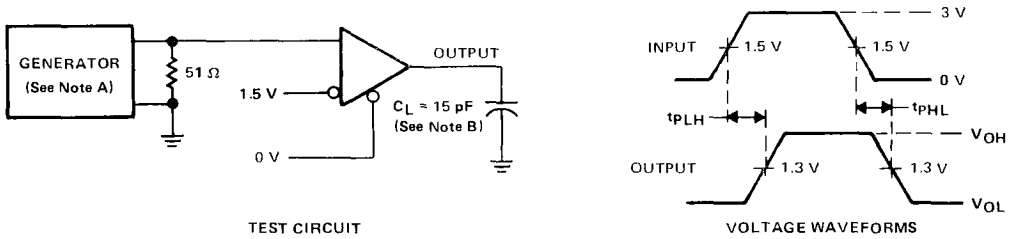


FIGURE 6. RECEIVER PROPAGATION DELAY TIMES

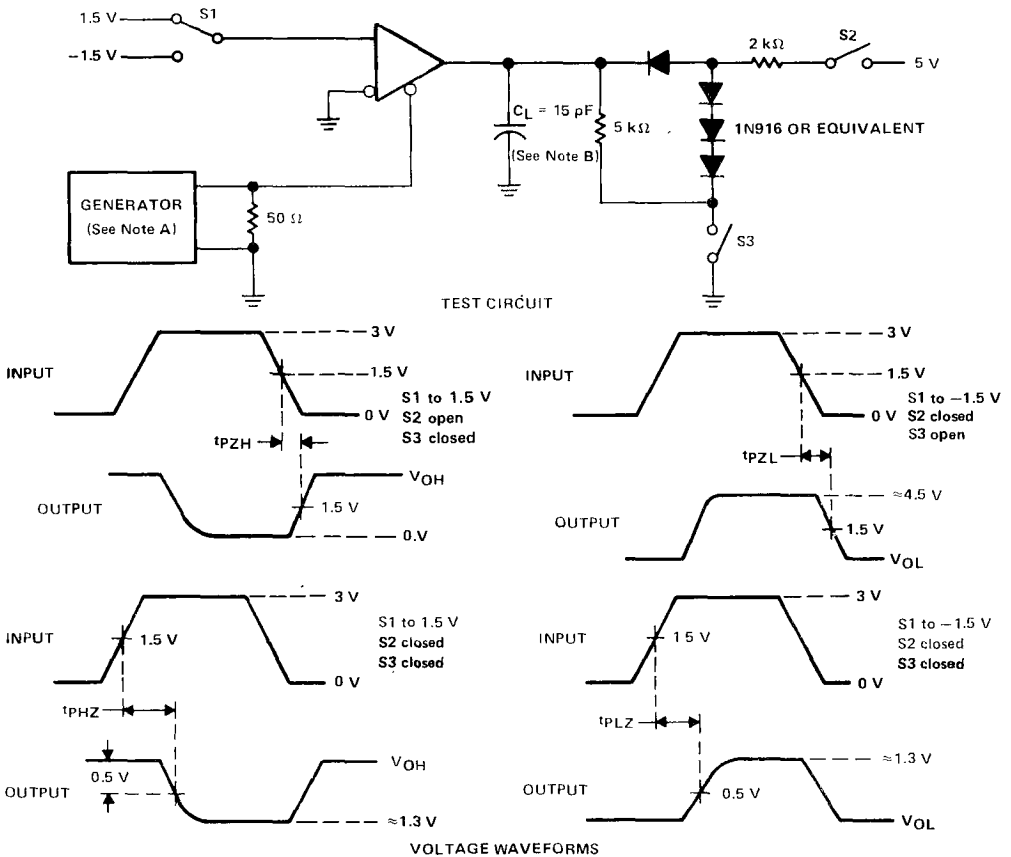


FIGURE 7. RECEIVER OUTPUT ENABLE AND DISABLE TIMES

- NOTES: A. The input pulse is supplied by a generator having the following characteristics: PRR \leq 1 MHz, 50% duty cycle, $t_r \leq$ 6 ns, $t_f \leq$ 6 ns, $Z_{out} = 50 \Omega$.
B. C_L includes probe and jig capacitance.

TYPICAL CHARACTERISTICS

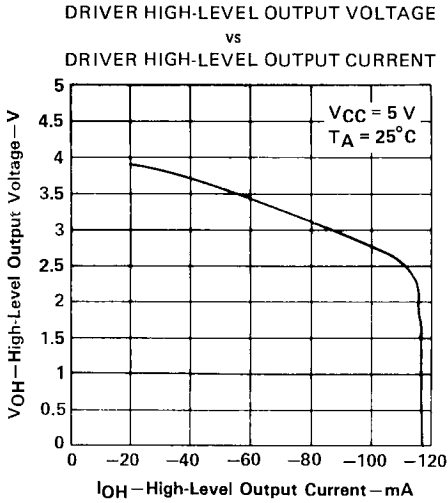


FIGURE 8

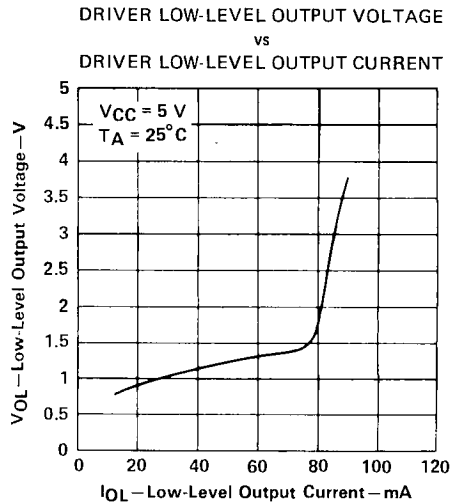


FIGURE 9

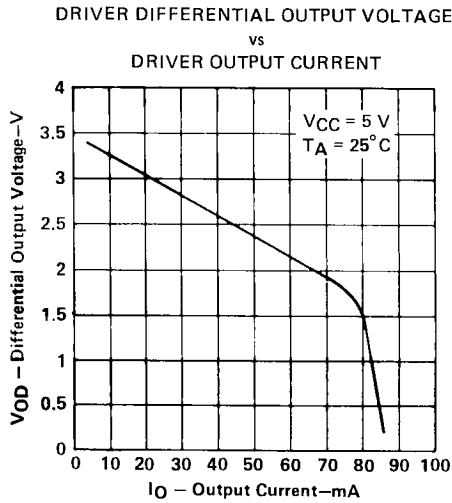


FIGURE 10

TYPICAL CHARACTERISTICS

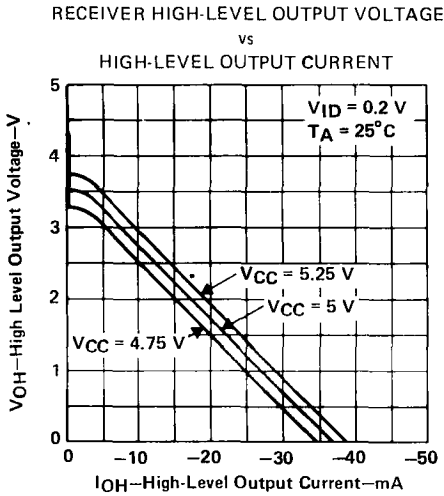


FIGURE 11

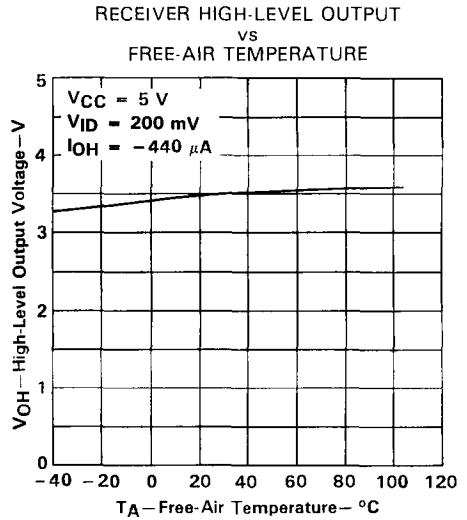


FIGURE 12

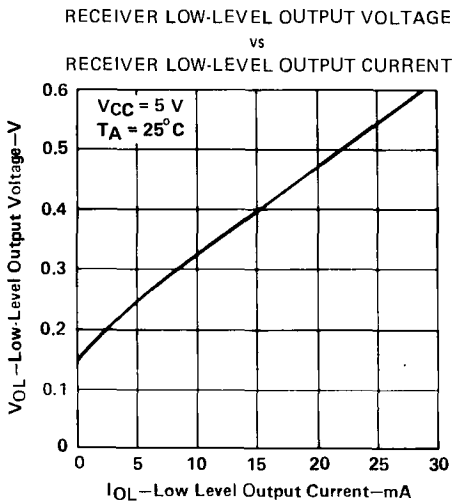


FIGURE 13

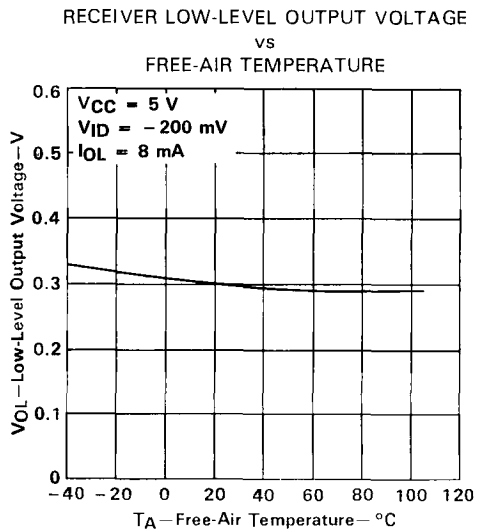


FIGURE 14

TYPICAL CHARACTERISTICS

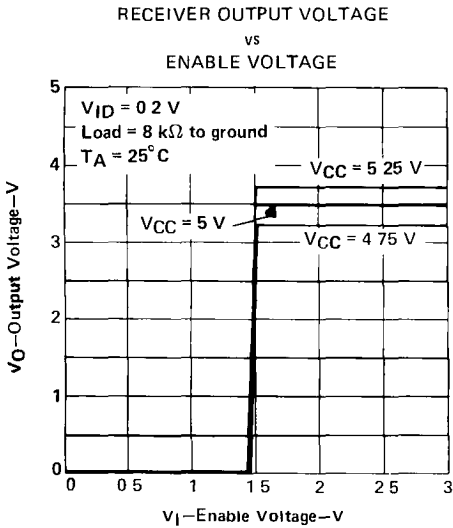


FIGURE 15

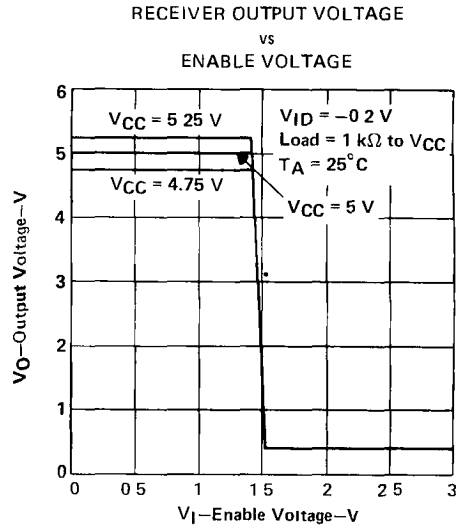


FIGURE 16

TYPICAL APPLICATION

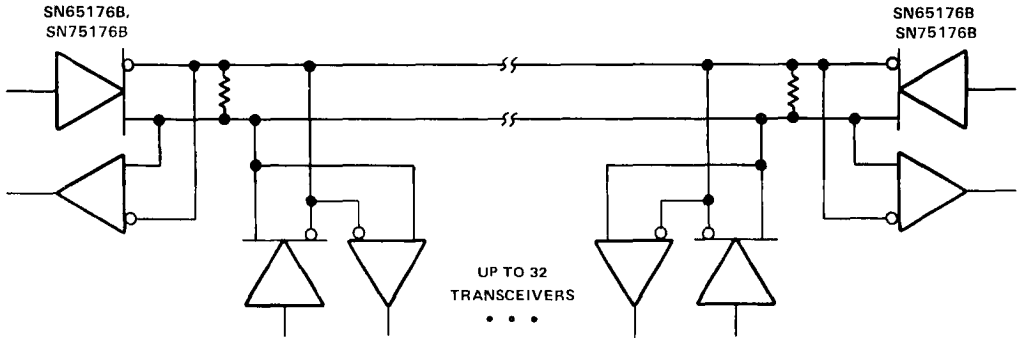


FIGURE 17 TYPICAL APPLICATION CIRCUIT

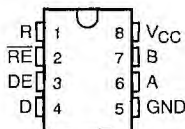
NOTE The line should be terminated at both ends in its characteristic impedance. Stub lengths off the main line should be kept as short as possible.

SN65ALS176, SN75ALS176, SN75ALS176A, SN75ALS176B DIFFERENTIAL BUS TRANSCEIVERS

D3042, AUGUST 1987—REVISED MAY 1990

- Meets EIA Standards RS-422A and RS-485, CCITT Recommendations V.11 and X.27, and ISO 8482:1987(E)
- Designed and Tested for Data Rates up to 35 MBaud
- SN65ALS176 Operating Temperature – 40°C to 85°C
- Three Skew Limits Available:
 'ALS176 ... 10 ns
 'ALS176A ... 7.5 ns
 'ALS176B ... 5 ns
- Designed for Multipoint Transmission on Long Bus Lines in Noisy Environments
- Low Supply Current Requirements
30 mA Max
- Wide Positive and Negative Input/Output Bus Voltage Ranges
- Thermal Shutdown Protection
- Driver Positive and Negative Current Limiting
- Receiver Input Hysteresis
- Glitch-Free Power-Up and Power-Down Protection
- Receiver Open-Circuit Fail-Safe Design

D OR P PACKAGE
(TOP VIEW)



FUNCTION TABLE (DRIVER)

INPUT D	ENABLE DE	OUTPUTS	
		A	B
H	H	H	L
L	H	L	H
X	L	Z	Z

FUNCTION TABLE (RECEIVER)

DIFFERENTIAL INPUTS A-B	ENABLE RE	OUTPUT R
$V_{ID} \geq 0.2 \text{ V}$	L	H
$-0.2 \text{ V} < V_{ID} < 0.2 \text{ V}$	L	?
$V_{ID} \leq -0.2 \text{ V}$	L	L
X	H	Z

H = high level, L = low level, ? = indeterminate,
X = irrelevant, Z = high impedance (off)

AVAILABLE OPTIONS

TA	$t_{pmax} - t_{pmin}$ $t_{sk}(1)^\ddagger$	PACKAGE	
		SMALL OUTLINE (D)†	PLASTIC DIP (P)
0°C	10	SN75ALS176D	SN75ALS176P
to	7.5	SN75ALS176AD	SN75ALS176AP
70°C	5	SN75ALS176BD	SN75ALS176BP
-40°C	10	SN65ALS176D	SN65ALS176P
to			
85°C			

† The D package is available taped and reeled. Add the suffix R to the device type, (e.g., SN75ALS176DR).

‡ $t_{sk}(1)$ is the greater of 1) the difference between the maximum and minimum specified values of t_{pLH} of (TDDH), and 2) the difference between the maximum and minimum specified values of t_{pHL} (or TDDL). This is the maximum range that the driver or receiver delay time will vary over temperature, V_{CC} , and device-to-device.

description

The SN65ALS176 and SN75ALS176 series Differential Bus Transceivers are monolithic integrated circuits designed for bidirectional data communication on multipoint bus transmission lines. They are designed for balanced transmission lines and meet EIA Standards RS-422-A and RS-485, CCITT recommendations V.11 and X.27, and ISO 8482:1987(E).

The SN65ALS176 and SN75ALS176 series combine a 3-state differential line driver and a differential input line receiver both of which operate from a single 5-V power supply. The driver and receiver have active-high and active-low enables, respectively, which can be externally connected together to function as a direction control. The driver differential outputs and the receiver differential inputs are connected internally to form a differential input/output (I/O) bus port that is designed to offer minimum loading to the bus whenever the driver is disabled or $V_{CC} = 0$. This port features wide positive and negative common-mode voltage ranges making the device suitable for party-line applications.

The SN65ALS176 is characterized for operation from –40°C to 85°C and the SN75ALS176 series is characterized for operation from 0°C to 70°C.

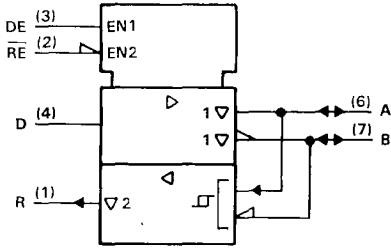
PRODUCTION DATA documents contain information current as of publication date. Products conform to specifications unless otherwise indicated. Texas Instruments standard warranty applies. Processing does not necessarily include testing of all parameters.

**TEXAS
INSTRUMENTS**

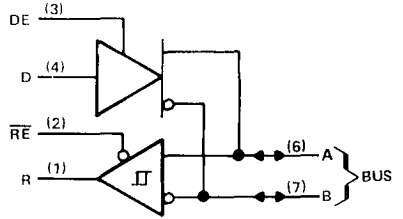
Copyright © 1990, Texas Instruments Incorporated

SN65ALS176, SN75ALS176, SN75ALS176A, SN75ALS176B DIFFERENTIAL BUS TRANSCEIVERS

logic symbol†

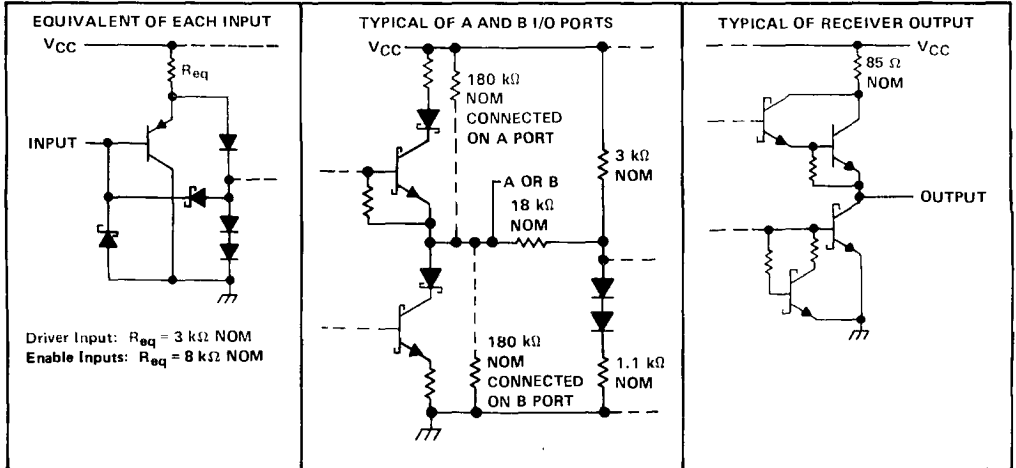


logic diagram (positive logic)



† This symbol is in accordance with ANSI/IEEE Std 91-1984 and IEC Publication 617-12.

schematics of inputs and outputs



SN65ALS176, SN75ALS176, SN75ALS176A, SN75ALS176B DIFFERENTIAL BUS TRANSCEIVERS

absolute maximum ratings over operating free-air temperature range (unless otherwise noted)

Supply voltage, V_{CC} (see Note 1)	7 V
Voltage at any bus terminal	– 10 V to 15 V
Enable input voltage	5.5 V
Continuous total power dissipation	See Dissipation Rating Table
Operating free-air temperature range, T_A : SN65ALS176	– 40°C to 85°C
SN75ALS176 Series	0°C to 70°C
Storage temperature range	– 65°C to 150°C
Lead temperature 1,6 mm (1/16 inch) from case for 10 seconds	260°C

NOTE 1: All voltage values, except differential I/O bus voltage, are with respect to network ground terminal.

DISSIPATION RATING TABLE

PACKAGE	$T_A = 25^\circ\text{C}$	DERATING FACTOR	$T_A = 70^\circ\text{C}$	$T_A = 85^\circ\text{C}$
	POWER RATING	ABOVE $T_A = 25^\circ\text{C}$	POWER RATING	POWER RATING
D	725 mW	5.8 mW/°C	464 mW	377 mW
P	1000 mW	8.0 mW/°C	640 mW	520 mW

recommended operating conditions

		MIN	TYP	MAX	UNIT
Supply voltage, V_{CC}		4.75	5	5.25	V
Voltage at any bus terminal (separately or common mode), V_I or V_O				12	V
				–7	
High-level input voltage, V_{IH}	D, DE, and \overline{RE}	2			V
Low-level input voltage, V_{IL}	D, DE, and \overline{RE}			0.8	V
Differential input voltage, V_{ID} (see Note 2)				±12	V
High-level output current, I_{OH}	Driver			– 60	mA
	Receiver			– 400	µA
Low-level output current, I_{OL}	Driver			60	mA
	Receiver			8	
Operating free-air temperature, T_A	SN65ALS176	– 40		85	°C
	SN75ALS176	0		70	

NOTE 2: Differential-input/output bus voltage is measured at the noninverting terminal A with respect to the inverting terminal B.

SN65ALS176, SN75ALS176, SN75ALS176A, SN75ALS176B DIFFERENTIAL BUS TRANSCEIVERS

DRIVER SECTION

driver electrical characteristics over recommended ranges of supply voltage and operating free-air temperature range (unless otherwise noted)

PARAMETER		TEST CONDITIONS†		MIN.	TYP‡	MAX	UNIT	
V_{IK}	Input clamp voltage	$I_I = -18$ mA				-1.5	V	
V_O	Output voltage	$I_O = 0$		0		6	V	
$ V_{OD1} $	Differential output voltage	$I_O = 0$		1.5		6	V	
$ V_{OD2} $	Differential output voltage	$R_L = 100 \Omega$,	See Figure 1	$1/2 V_{OD1}$				
		$R_L = 54 \Omega$,	See Figure 1	1.5	2.5	5	V	
V_{OD3}	Differential output voltage	$V_{test} = -7$ V to 12 V, See Figure 2		1.5		5	V	
$\Delta V_{OD} $	Change in magnitude of differential output voltage §	$R_L = 54 \Omega$ or 100 Ω , See Figure 1				± 0.2	V	
V_{OC}	Common-mode output voltage					3	-1	V
$\Delta V_{OC} $	Change in magnitude of common-mode output voltage §							± 0.2
I_O	Output current	Output disabled, See Note 3	$V_O = 12$ V			1	mA	
			$V_O = -7$ V			-0.8		
I_{IH}	High-level input current	$V_I = 2.4$ V				20	μ A	
I_{IL}	Low-level input current	$V_I = 0.4$ V				-400	μ A	
I_{OS}	Short-circuit output current ¶	$V_O = -6$ V	SN65ALS176			-250	mA	
		$V_O = -7$ V	SN75ALS176					
		$V_O = 0$	All			-150		
		$V_O = V_{CC}$	All			250		
		$V_O = 12$ V	SN75ALS176					
I_{CC}	Supply current	No load	Outputs enabled		23	30	mA	
			Outputs disabled		19	26		

† The power-off measurement in EIA Standard RS-422-A applies to disabled outputs only and is not applied to combined inputs and outputs.

‡ All typical values are at $V_{CC} = 5$ V and $T_A = 25^\circ\text{C}$.

§ $\Delta |V_{OD}|$ and $\Delta |V_{OC}|$ are the changes in magnitude of V_{OD} and V_{OC} respectively, that occur when the input is changed from a high level to a low level.

¶ Duration of the short circuit should not exceed one second.

NOTE 3: This applies for both power on and off; refer to EIA standard RS-485 for exact conditions. The RS-422-A limit does not apply for a combined driver and receiver terminal.

SN65ALS176, SN75ALS176, SN75ALS176A, SN75ALS176B DIFFERENTIAL BUS TRANSCEIVERS

driver switching characteristics over recommended ranges of supply voltage and operating free-air temperature

SN65ALS176

PARAMETER		TEST CONDITIONS	MIN	TYP†	MAX	UNIT
t _{DD}	Differential output delay time				15	ns
t _{sk(p)}	Pulse skew (t _{DDL} - t _{DDH})	R _L = 54 Ω, C _L = 50 pF, See Figure 3		0	2	ns
t _{TD}	Differential output transition time			8		ns
t _{PZH}	Output enable time to high level	R _L = 110 Ω, C _L = 50 pF, See Figure 4			80	ns
t _{PZL}	Output enable time to low level	R _L = 110 Ω, C _L = 50 pF, See Figure 5			30	ns
t _{PHZ}	Output disable time from high level	R _L = 110 Ω, C _L = 50 pF, See Figure 4			50	ns
t _{PLZ}	Output disable time from low level	R _L = 110 Ω, C _L = 50 pF, See Figure 5			30	ns

SN75ALS176, SN75ALS176A, SN75ALS176B

PARAMETER		TEST CONDITIONS	MIN	TYP†	MAX	UNIT	
t _{DD}	Differential output delay time	R _L = 54 Ω, C _L = 50 pF, See Figure 3	'ALS176	3	8	13	ns
			'ALS176A	4	7	11.5	
			'ALS176B	5	8	10	
t _{sk(p)}	Pulse skew (t _{DDL} - t _{DDH})			0	2	ns	
t _{TD}	Differential output transition time			8		ns	
t _{PZH}	Output enable time to high level	R _L = 110 Ω, C _L = 50 pF, See Figure 4			23	50	ns
t _{PZL}	Output enable time to low level	R _L = 110 Ω, C _L = 50 pF, See Figure 5			14	20	ns
t _{PHZ}	Output disable time from high level	R _L = 110 Ω, C _L = 50 pF, See Figure 4			20	35	ns
t _{PLZ}	Output disable time from low level	R _L = 110 Ω, C _L = 50 pF, See Figure 5			8	17	ns

† All typical values are at V_{CC} = 5 V, T_A = 25°C.

SYMBOL EQUIVALENTS

DATA SHEET PARAMETER	RS-422-A	RS-485
V _O	V _{Oa} , V _{Ob}	V _{Oa} , V _{Ob}
V _{OD1}	V _O	V _O
V _{OD2}	V _t (R _L = 100 Ω)	V _t (R _L = 54 Ω)
V _{OD3}		V _t (Test Termination Measurement 2)
Δ V _{OD}	V _t - V _t	V _t - V _t
V _{OC}	V _{Os}	V _{Os}
Δ V _{OC}	V _{Os} - V _{Os}	V _{Os} - V _{Os}
I _{OS}	I _{sa} , I _{sb}	
I _O	I _{xa} , I _{xb}	I _{ia} , I _{ib}

SN65ALS176, SN75ALS176, SN75ALS176A, SN75ALS176B DIFFERENTIAL BUS TRANSCEIVERS

RECEIVER SECTION

receiver electrical characteristics over recommended ranges of common-mode input voltage, supply voltage, and operating free-air temperature (unless otherwise noted)

PARAMETER		TEST CONDITIONS	MIN	TYP†	MAX	UNIT
V _{TH}	Differential-input high-threshold voltage	V _O = 2.7 V, I _O = -0.4 mA			0.2	V
V _{TL}	Differential-input low-threshold voltage	V _O = 0.5 V, I _O = 8 mA	-0.2‡			V
V _{hys}	Hysteresis§			60		mV
V _{IK}	Enable-input clamp voltage	I _I = -18 mA			-1.5	V
V _{OH}	High-level output voltage	V _{ID} = -200 mV, I _{OH} = -400 µA, See Figure 6		2.7		V
V _{OL}	Low-level output voltage	V _{ID} = -200 mV, I _{OL} = 8 mA, See Figure 6			0.45	V
I _{OZ}	High-impedance-state output current	V _O = 0.4 V to 2.4 V			±20	µA
I _I	Line input current	Other input = 0 V, V _I = 12 V See Note 4			1	mA
		V _I = 7 V			-0.8	
I _{IH}	High-level enable-input current	V _{IH} = 2.7 V			20	µA
I _{IL}	Low-level enable-input current	V _{IL} = 0.4 V			-100	µA
r _i	Input resistance			12	20	kΩ
I _{OS}	Short-circuit output current	V _{ID} = 200 mV, V _O = 0		-15	-85	mA
I _{CC}	Supply current	No load				mA
		Outputs enabled			23	
		Outputs disabled			19	26

† All typical values are at V_{CC} = 5 V, T_A = 25°C.

‡ The algebraic convention, in which the less-positive (more-negative) limit is designated minimum, is used in this data sheet for common-mode input voltage and threshold voltage levels only.

§ Hysteresis is the difference between the positive-going input threshold voltage, V_{T+}, and the negative-going input threshold voltage, V_{T-}. See Figure 4.

NOTE 4: This applies for both power on and power off. Refer to EIA Standard RS-485 for exact conditions.

receiver switching characteristics over recommended ranges of supply voltage and operating free-air temperature

SN65ALS176

PARAMETER	TEST CONDITIONS	MIN	TYP†	MAX	UNIT	
t _{pd}	Propagation delay	V _{ID} = -1.5 V to 1.5 V, C _L = 15 pF, See Figure 7		25	ns	
t _{sk(p)}	Pulse skew (t _{PHL} - t _{PLH})			0	2	ns
t _{PZH}	Output enable time to high level			11	18	ns
t _{PZL}	Output enable time to low level			11	18	ns
t _{PHZ}	Output disable time from high level		C _L = 15 pF, See Figure 8		50	ns
t _{PLZ}	Output disable time from low level				30	ns

SN75ALS176, SN75ALS176A, SN75ALS176B

PARAMETER		TEST CONDITIONS	MIN	TYP†	MAX	UNIT
t _{pd}	Propagation time	V _{ID} = -1.5 V to 1.5 V, C _L = 15 pF, See Figure 7		9	14	19
			'ALS176A	10.5	14	18
			'ALS176B	11.5	13	16.5
t _{sk(p)}	Pulse skew (t _{PHL} - t _{PLH})			0	2	ns
t _{PZH}	Output enable time to high level	C _L = 15 pF, See Figure 8		7	14	ns
t _{PZL}	Output enable time to low level			20	35	ns
t _{PHZ}	Output disable time from high level			20	35	ns
t _{PLZ}	Output disable time from low level			8	17	ns

† All typical values are at V_{CC} = 5 V, T_A = 25°C.



SN65ALS176, SN75ALS176, SN75ALS176A, SN75ALS176B DIFFERENTIAL BUS TRANSCEIVERS

PARAMETER MEASUREMENT INFORMATION

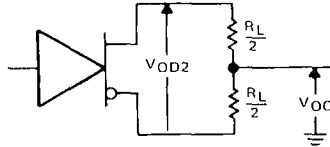


FIGURE 1. DRIVER V_{OD} AND V_{OC}

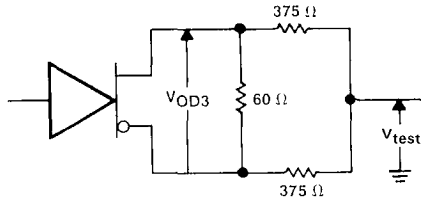
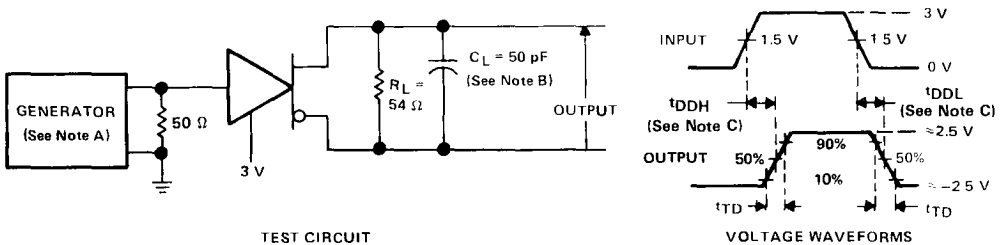


FIGURE 2. DRIVER V_{OD3}



- NOTES: A. The input pulse is supplied by a generator having the following characteristics: PRR \leq 1 MHz, 50% duty cycle, $t_r \leq$ 6 ns, $t_f \leq$ 6 ns, $Z_0 = 50 \Omega$.
 B. C_L includes probe and jig capacitance.
 C. $t_{DD} = t_{DDH}$ or t_{DDL}

FIGURE 3. DRIVER DIFFERENTIAL-OUTPUT DELAY AND TRANSITION TIMES

SN65ALS176, SN75ALS176, SN75ALS176A, SN75ALS176B
DIFFERENTIAL BUS TRANSCEIVERS

PARAMETER MEASUREMENT INFORMATION

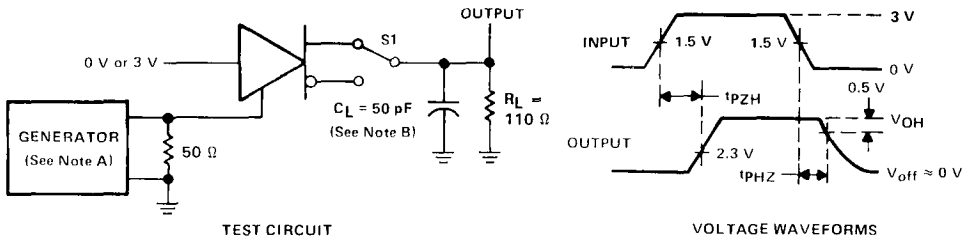


FIGURE 4. DRIVER ENABLE AND DISABLE TIMES

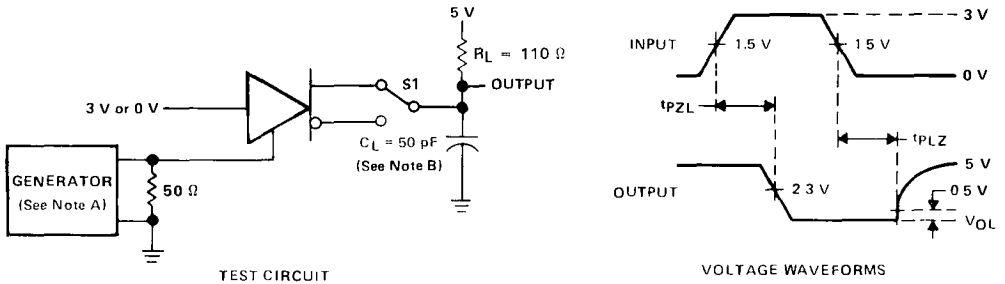


FIGURE 5. DRIVER ENABLE AND DISABLE TIMES

NOTES: A. The input pulse is supplied by a generator having the following characteristics: PRR \leq 1 MHz, 50% duty cycle, $t_r \leq$ 6 ns, $t_f \leq$ 6 ns, $Z_0 = 50 \Omega$.
 B. C_L includes probe and jig capacitance.

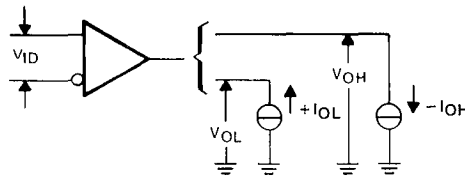


FIGURE 6. RECEIVER V_{OH} AND V_{OL}

SN65ALS176, SN75ALS176, SN75ALS176A, SN75ALS176B DIFFERENTIAL BUS TRANSCEIVERS

PARAMETER MEASUREMENT INFORMATION

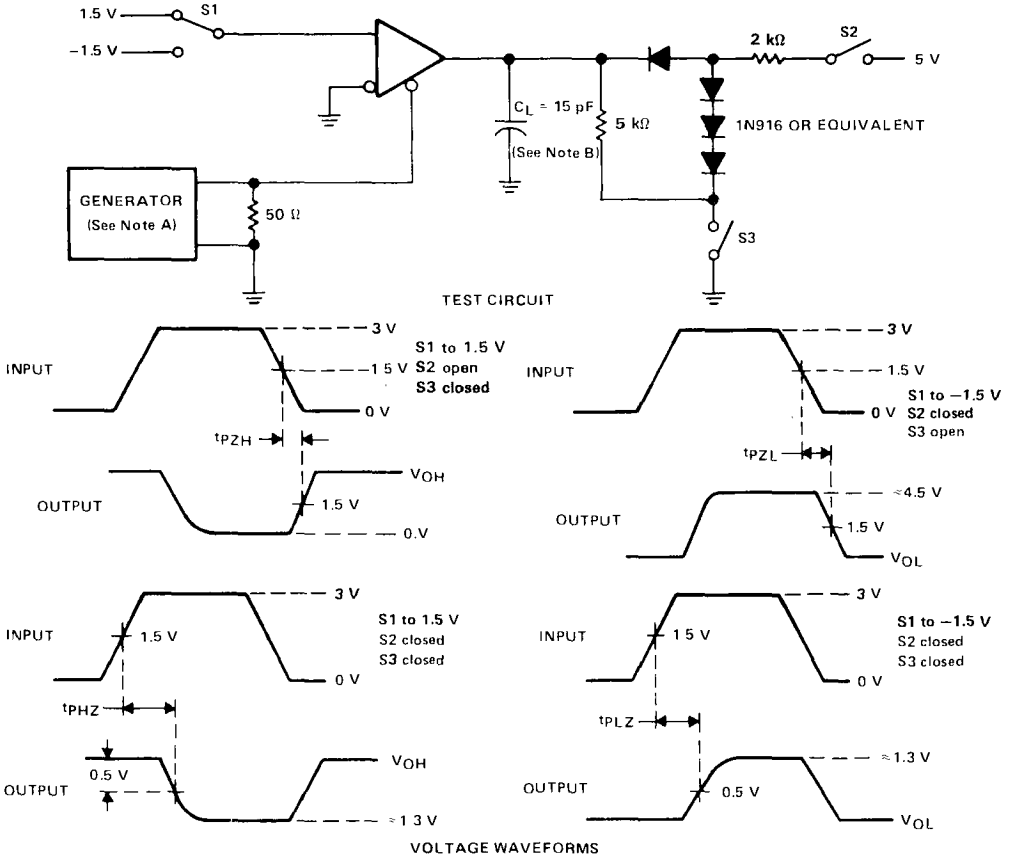
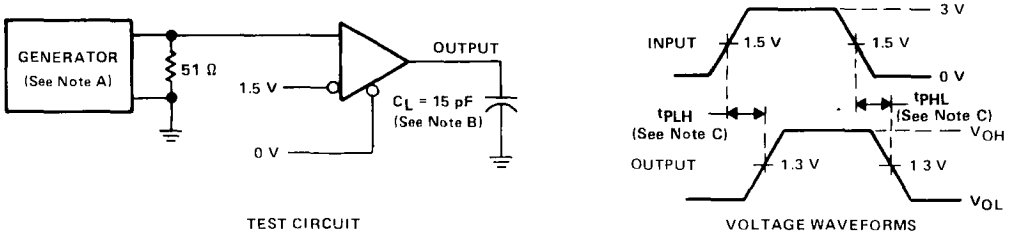


FIGURE 8. RECEIVER OUTPUT ENABLE AND DISABLE TIMES

NOTES: A. The input pulse is supplied by a generator having the following characteristics: PRR \leq 1 MHz, 50% duty cycle, $t_r \leq$ 6 ns, $t_f \leq$ 6 ns, $Z_0 = 50 \Omega$.

B. C_L includes probe and jig capacitance.

C. $t_{pd} = t_{PLH}$ or t_{PHL}

SN65ALS176, SN75ALS176, SN75ALS176A, SN75ALS176B
DIFFERENTIAL BUS TRANSCEIVERS

TYPICAL CHARACTERISTICS

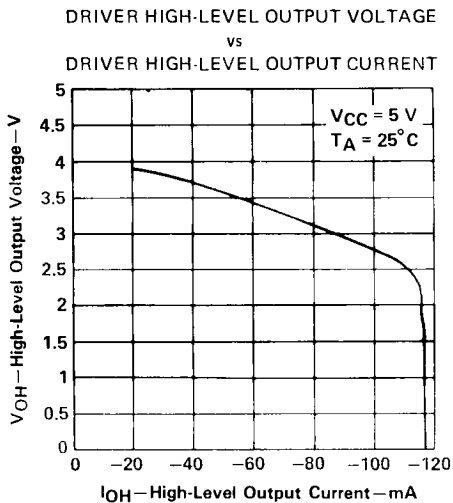


FIGURE 9

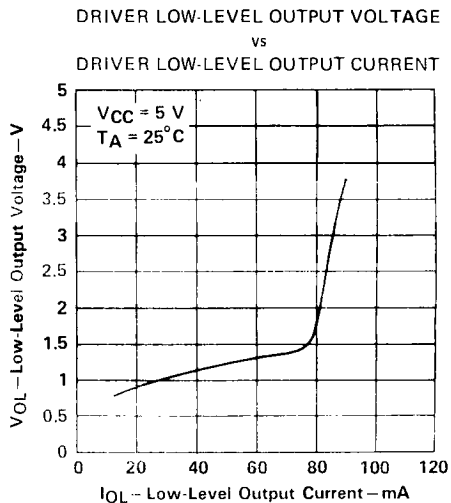


FIGURE 10

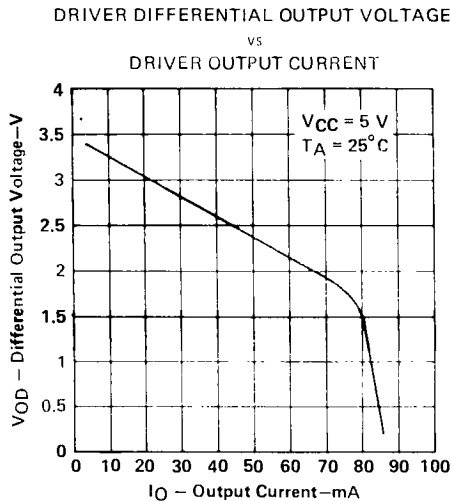


FIGURE 11

TYPICAL CHARACTERISTICS

RECEIVER HIGH-LEVEL OUTPUT VOLTAGE
vs
HIGH-LEVEL OUTPUT CURRENT

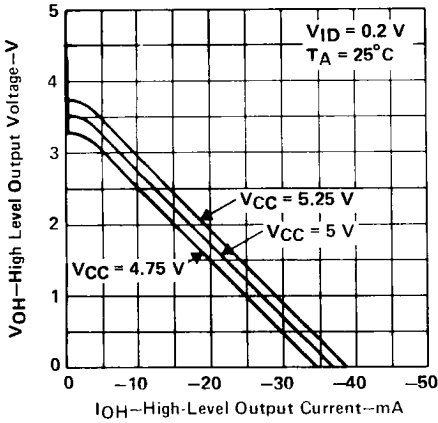


FIGURE 12

RECEIVER HIGH-LEVEL OUTPUT
vs
FREE-AIR TEMPERATURE

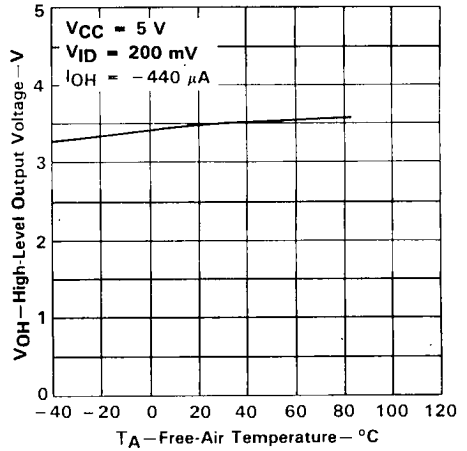


FIGURE 13

RECEIVER LOW-LEVEL OUTPUT VOLTAGE
vs
RECEIVER LOW-LEVEL OUTPUT CURRENT

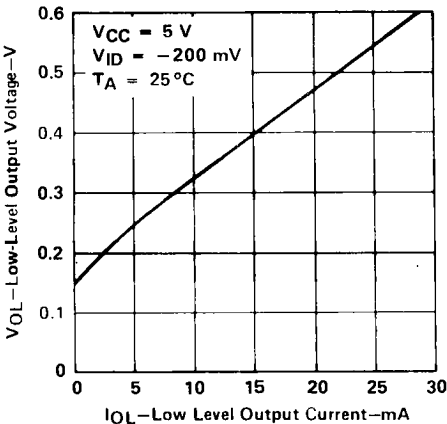


FIGURE 14

RECEIVER LOW-LEVEL OUTPUT VOLTAGE
vs
FREE-AIR TEMPERATURE

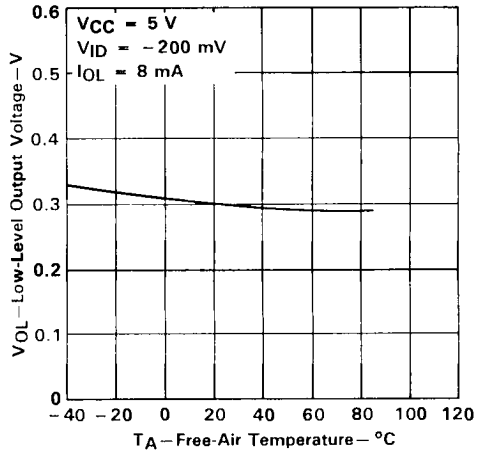


FIGURE 15

SN65ALS176, SN75ALS176, SN75ALS176A, SN75ALS176B
DIFFERENTIAL BUS TRANSCEIVERS

TYPICAL CHARACTERISTICS

RECEIVER OUTPUT VOLTAGE
 vs
 ENABLE VOLTAGE

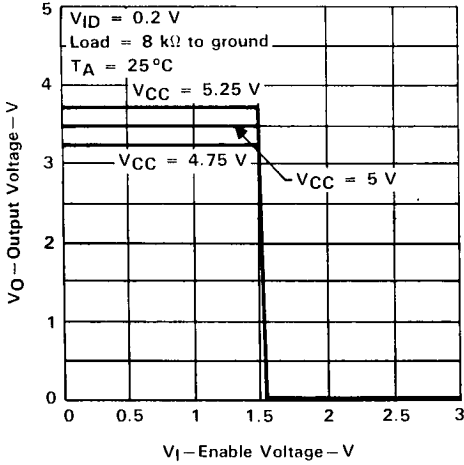


FIGURE 16

RECEIVER OUTPUT VOLTAGE
 vs
 ENABLE VOLTAGE

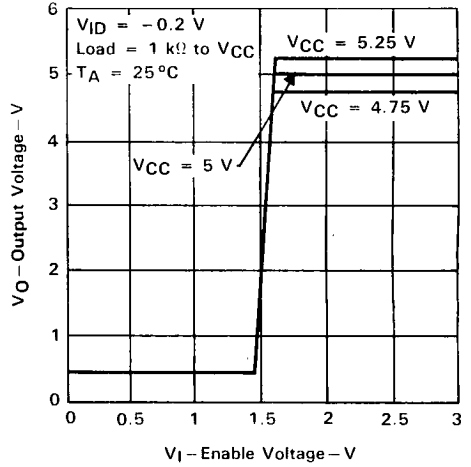


FIGURE 17

APPLICATION INFORMATION

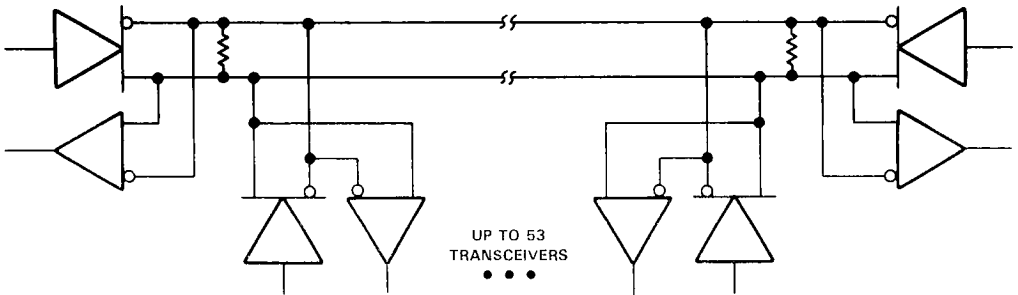


FIGURE 18. TYPICAL APPLICATION CIRCUIT

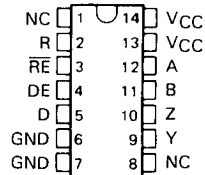
NOTE: The line should be terminated at both ends in its characteristic impedance. Stub lengths off the main line should be kept as short as possible.

SN65ALS180, SN75ALS180 DIFFERENTIAL DRIVER AND RECEIVER PAIRS

D3043, AUGUST 1987 - REVISED DECEMBER 1989

- Meets EIA Standards RS-422-A and RS-485 and CCITT Recommendations V.11 and X.27
- High-Speed Advanced Low-Power Schottky Circuitry
- Designed for 25-MBaud Operation in Both Serial and Parallel Applications
- Low Skew between Devices . . . 6 ns Max
- Low Supply Current Requirements
30 mA Max
- Individual Driver and Receiver I/O pins with Dual V_{CC} and Dual GND
- Wide Positive and Negative Input/Output Bus Voltage Ranges
- Driver Output Capacity . . . ±60 mA
- Thermal Shutdown Protection
- Driver Positive and Negative Current Limiting
- Receiver Input Impedances . . . 12 kΩ Min
- Receiver Input Sensitivity . . . ±200 mV Max
- Receiver Input Hysteresis . . . 60 mV Typ
- Operates from a Single 5-V Supply
- Glitch-Free Power-Up and Power-Down Protection

D OR N PACKAGE
(TOP VIEW)



NC - No internal connection

FUNCTION TABLE (DRIVER)

INPUT D	ENABLE DE	OUTPUTS	
		Y	Z
H	H	H	L
L	H	L	H
X	L	Z	Z

FUNCTION TABLE (RECEIVER)

DIFFERENTIAL INPUTS A - B	ENABLE RE	OUTPUT
		R
$V_{ID} \geq 0.2 V$	L	H
$-0.2 V < V_{ID} < 0.2 V$	L	?
$V_{ID} \leq -0.2 V$	L	L
X	H	Z

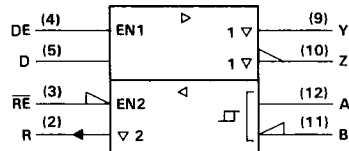
H = high level, L = low level, ? = indeterminate,
X = irrelevant, Z = high impedance (off)

description

The SN65ALS180 and SN75ALS180 Differential Driver and Receiver Pairs are monolithic integrated circuits designed for bidirectional data communication on multipoint bus transmission lines. They are designed for balanced transmission lines and meet EIA Standards RS-422-A and RS-485 and CCITT recommendations V.11 and X.27.

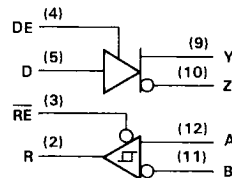
The SN65ALS180 and SN75ALS180 combine a 3-state differential line driver and a differential input line receiver both of which operate from a single 5-V power supply. The driver and receiver have active-high and active-low enables, respectively, which can be externally connected together to function as a direction control. The driver differential outputs and the receiver differential inputs are connected to separate pins for greater flexibility and are designed to offer

logic symbol†



† This symbol is in accordance with ANSI/IEEE Std 91-1984 and IEC Publication 617-12.

logic diagram (positive logic)



Documents contain information
Products conform to
standard warranty. Production processing does not
necessarily include testing of all parameters.

TEXAS
INSTRUMENTS

POST OFFICE BOX 655303 • DALLAS, TEXAS 75265

Copyright © 1989, Texas Instruments Incorporated

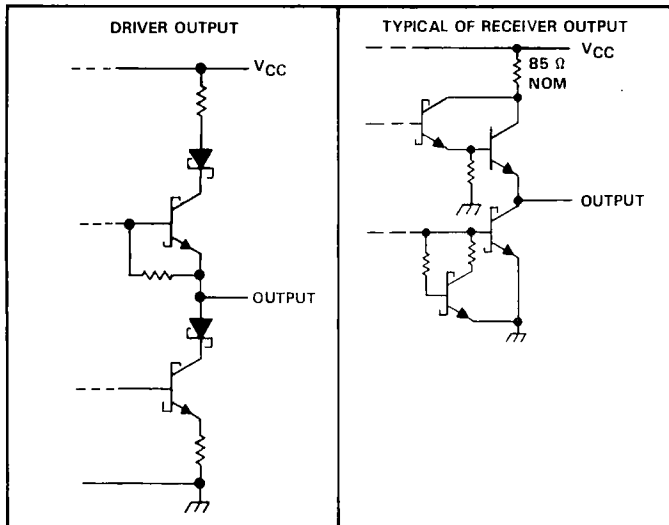
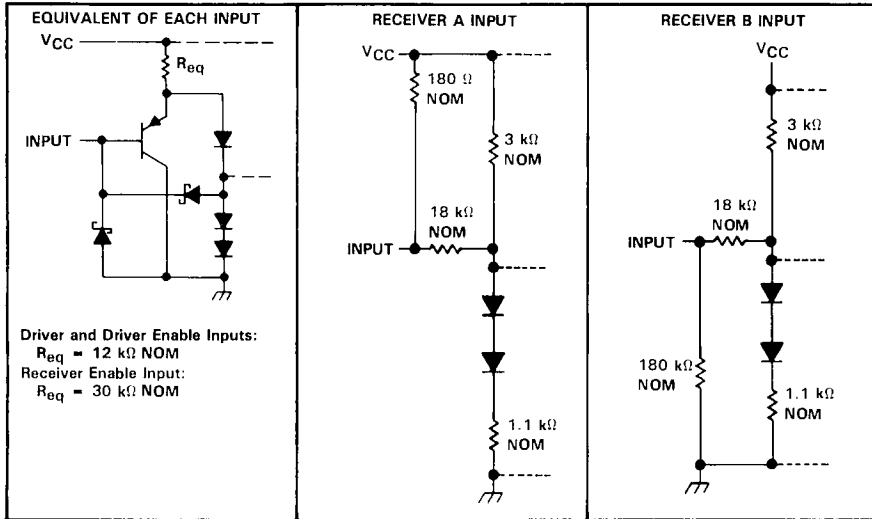
2-349

SN65ALS180, SN75ALS180 DIFFERENTIAL DRIVER AND RECEIVER PAIRS

minimum loading to the bus when the driver is disabled or $V_{CC} = 0$. These ports feature wide positive and negative common-mode voltage ranges making the device suitable for party-line applications.

The SN65ALS180 is characterized for operation from -40°C to 85°C and the SN75ALS180 is characterized for operation from 0°C to 70°C .

schematics of inputs and outputs



SN65ALS180, SN75ALS180 DIFFERENTIAL DRIVER AND RECEIVER PAIRS

absolute maximum ratings over operating free-air temperature range (unless otherwise noted)

Supply voltage, V_{CC} (see Note 1)	7 V
Voltage at any bus terminal	-10 V to 15 V
Enable input voltage	5.5 V
Continuous total power dissipation	See Dissipation Rating Table
Operating free-air temperature range, T_A : SN65ALS180	-40°C to 85°C
SN75ALS180	0°C to 70°C
Storage temperature range	-65°C to 150°C
Lead temperature 1,6 mm (1/16 inch) from case for 10 seconds	260°C

NOTE 1: All voltage values, except differential I/O bus voltage, are with respect to network ground terminal.

DISSIPATION RATING TABLE

PACKAGE	$T_A \leq 25^\circ\text{C}$ POWER RATING	DERATING FACTOR ABOVE $T_A = 25^\circ\text{C}$	$T_A = 70^\circ\text{C}$ POWER RATING	$T_A = 85^\circ\text{C}$ POWER RATING
D	950 mW	7.6 mW/°C	608 mW	494 mW
N	1150 mW	9.2 mW/°C	736 mW	598 mW

recommended operating conditions

		MIN	TYP	MAX	UNIT
Supply voltage, V_{CC}		4.75	5	5.25	V
Voltage at any bus terminal (separately or common mode), V_I or V_{IC}				12 -7	V
High-level input voltage, V_{IH}	D, DE, and RE	2			V
Low-level input voltage, V_{IL}	D, DE, and RE			0.8	V
Differential input voltage, V_{ID} (see Note 2)				±12	V
High-level output current, I_{OH}	Driver			-60	mA
	Receiver			-400	µA
Low-level output current, I_{OL}	Driver			60	mA
	Receiver			8	mA
Operating free-air temperature, T_A		SN65ALS180	-40	85	°C
		SN75ALS180	0	70	

NOTE 2: Differential input/output bus voltage is measured at the noninverting terminal A/Y with respect to the inverting terminal B/Z.

SN65ALS180, SN75ALS180 DIFFERENTIAL DRIVER AND RECEIVER PAIRS

DRIVER SECTION

driver electrical characteristics over recommended ranges of supply voltage and operating free-air temperature (unless otherwise noted)

PARAMETER		TEST CONDITIONS†		MIN	TYP‡	MAX	UNIT	
V_{IK}	Input clamp voltage	$I_I = -18 \text{ mA}$				-1.5	V	
V_O	Output voltage	$I_O = 0$		0		6	V	
$ V_{OD1} $	Differential output voltage	$I_O = 0$		1.5		6	V	
$ V_{OD2} $	Differential output voltage	$R_L = 100 \Omega$, See Figure 1		$1/2 V_{OD1}$				
				2			V	
V_{OD3}	Differential output voltage	$R_L = 54 \Omega$, See Figure 1		1.5	2.5	5	V	
				$V_{test} = -7 \text{ V to } 12 \text{ V}$, See Figure 2		1.5		5
$\Delta V_{OD} $	Change in magnitude of differential output voltage§					± 0.2	V	
V_{OC}	Common-mode output voltage	$R_L = 54 \Omega$ or 100Ω , See Figure 1				+3 -1	V	
$\Delta V_{OC} $	Change in magnitude of common-mode output voltage§					± 0.2	V	
I_O	Output current	Output disabled, See Note 3		$V_O = 12 \text{ V}$		1	mA	
				$V_O = -7 \text{ V}$		-0.8		
I_{IH}	High-level input current	$V_I = 2.4 \text{ V}$				20	μA	
I_{IL}	Low-level input current	$V_I = 0.4 \text{ V}$				-400	μA	
I_{OS}	Short-circuit output current¶			$V_O = -7 \text{ V}$	SN75ALS180	-250	mA	
				$V_O = -6 \text{ V}$	SN65ALS180			
				$V_O = 0$	All	-150		
				$V_O = V_{CC}$	All			
				$V_O = 8 \text{ V}$	SN65ALS180	250		
I_{CC}	Supply current	No load		Outputs enabled		23	30	mA
				Outputs disabled		19	26	

† The power-off measurement in EIA Standard RS-422-A applies to disabled outputs only and is not applied to combined inputs and outputs.

§ $\Delta |V_{OD}|$ and $\Delta |V_{OC}|$ are the changes in magnitude of V_{OD} and V_{OC} respectively, that occur when the input is changed from a high level to a low level.

¶ Duration of the short circuit should not exceed one second.

NOTE 3: This applies for both power on and off; refer to EIA Standard RS-485 for exact conditions. The RS-422-A limit does not apply for a combined driver and receiver terminal.

driver switching characteristics over recommended ranges of supply voltage and operating free-air temperature

PARAMETER		TEST CONDITIONS		MIN	TYP‡	MAX	UNIT
t_{DD}	Differential-output delay time	$R_L = 54 \Omega$, See Figure 3	$C_L = 50 \text{ pF}$,	3	8	13	ns
	Skew ($ t_{DDH} - t_{DDL} $)				1	6	ns
t_{TD}	Differential output transition time			3	8	13	ns
t_{PZH}	Output enable time to high level	$R_L = 110 \Omega$,	See Figure 4		23	50	ns
t_{PZL}	Output enable time to low level	$R_L = 110 \Omega$,	See Figure 5		19	24	ns
t_{PHZ}	Output disable time from high level	$R_L = 110 \Omega$,	See Figure 4		8	13	ns
t_{PLZ}	Output disable time from low level	$R_L = 110 \Omega$,	See Figure 5		8	13	ns

‡ All typical values are at $V_{CC} = 5 \text{ V}$ and $T_A = 25^\circ\text{C}$.

SN65ALS180, SN75ALS180 DIFFERENTIAL DRIVER AND RECEIVER PAIRS

SYMBOL EQUIVALENTS

DATA SHEET PARAMETER	RS-422-A	RS-485
V_O	V_{Oa}, V_{Ob}	V_{Oa}, V_{Ob}
$ V_{OD1} $	V_O	V_O
$ V_{OD2} $	$V_t (R_L = 100 \Omega)$	$V_t (R_L = 54 \Omega)$
$ V_{OD3} $		V_t (Test Termination Measurement 2)
V_{tst}		V_{tst}
$\Delta V_{OD} $	$ V_t - \bar{V}_t $	$ V_t - \bar{V}_t $
V_{OC}	$ V_{OS} $	$ V_{OS} $
$\Delta V_{OC} $	$ V_{OS} - \bar{V}_{OS} $	$ V_{OS} - \bar{V}_{OS} $
I_{OS}	$ I_{sa} , I_{sb} $	
I_O	$ I_{xa} , I_{xb} $	I_{ia}, I_{ib}

RECEIVER SECTION

receiver electrical characteristics over recommended ranges of common-mode input voltage, supply voltage, and operating free-air temperature (unless otherwise noted)

PARAMETER		TEST CONDITIONS		MIN	TYP†	MAX	UNIT
V_{TH}	Differential-input high-threshold voltage	$V_O = 2.7 \text{ V}$,	$I_O = -0.4 \text{ mA}$			0.2	V
V_{TL}	Differential-input low-threshold voltage	$V_O = 0.5 \text{ V}$,	$I_O = 8 \text{ mA}$	-0.2‡			V
V_{hys}	Hysteresis§				60		mV
V_{IK}	Enable-input clamp voltage	$I_I = -18 \text{ mA}$				-1.5	V
V_{OH}	High-level output voltage	$V_{ID} = 200 \text{ mV}$, See Figure 6	$I_{OH} = -400 \mu\text{A}$,	2.7			V
V_{OL}	Low-level output voltage	$V_{ID} = -200 \text{ mV}$, See Figure 6	$I_{OL} = 8 \text{ mA}$,			0.45	V
I_{OZ}	High-impedance-state output current	$V_O = 0.4 \text{ V to } 2.4 \text{ V}$				±20	μA
I_I	Line input current	Other input = 0 V, See Note 4	$V_I = 12 \text{ V}$ $V_I = -7 \text{ V}$			1 -0.8	mA
I_{IH}	High-level enable-input current	$V_{IH} = 2.7 \text{ V}$				20	μA
I_{IL}	Low-level enable-input current	$V_{IL} = 0.4 \text{ V}$				-100	μA
r_i	Input resistance			12			kΩ
I_{OS}	Short-circuit output current	$V_{ID} = 200 \text{ mV}$,	$V_O = 0$	-15		-85	mA
I_{CC}	Supply current	No load	Outputs enabled Outputs disabled		23 19	30 26	mA

† All typical values are at $V_{CC} = 5 \text{ V}$, $T_A = 25^\circ\text{C}$.

‡ The algebraic convention, in which the less-positive (more-negative) limit is designated minimum, is used in this data sheet for common-mode input voltage and threshold voltage levels only.

§ Hysteresis is the difference between the positive-going input threshold voltage, V_{T+} , and the negative-going input threshold voltage, V_{T-} . See Figure 4.

NOTE 4: This applies for both power on and power off. Refer to EIA Standard RS-485 for exact conditions.

SN65ALS180, SN75ALS180 DIFFERENTIAL DRIVER AND RECEIVER PAIRS

receiver switching characteristics over recommended ranges of supply voltage and operating free-air temperature

PARAMETER	TEST CONDITIONS	MIN	TYP†	MAX	UNIT
t_{PLH} Propagation delay time, low-to-high-level output	$V_{ID} = -1.5\text{ V to }1.5\text{ V}$, See Figure 7, $C_L = 15\text{ pF}$	9	14	19	ns
t_{PHL} Propagation delay time, high-to-low-level output .. ($ t_{PLH} - t_{PHL} $)		9	14	19	ns
t_{PZH} Output enable time to high level	$C_L = 15\text{ pF}$, See Figure 8	2	6	ns	
t_{PZL} Output enable time to low level		7	14	ns	
t_{PHZ} Output disable time from high level		7	14	ns	
t_{PLZ} Output disable time from low level		20	35	ns	
		8	17	ns	

† All typical values are at $V_{CC} = 5\text{ V}$, $T_A = 25^\circ\text{C}$.

PARAMETER MEASUREMENT INFORMATION

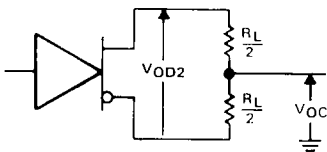


FIGURE 1. DRIVER V_{OD} AND V_{OC}

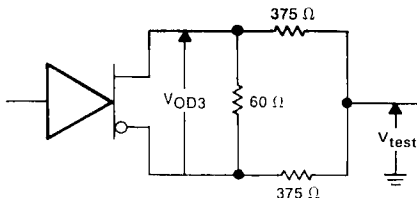


FIGURE 2. DRIVER V_{OD3}

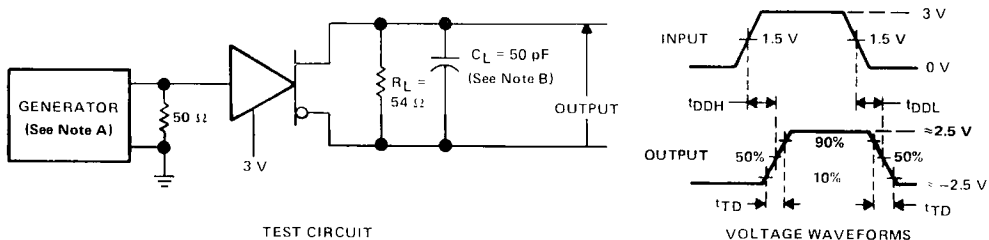


FIGURE 3. DRIVER DIFFERENTIAL-OUTPUT DELAY AND TRANSITION TIMES

NOTES: A. The input pulse is supplied by a generator having the following characteristics: $PRR \leq 1\text{ MHz}$, 50% duty cycle, $t_r \leq 6\text{ ns}$, $t_f \leq 6\text{ ns}$, $Z_{out} = 50\ \Omega$.
B. C_L includes probe and jig capacitance.

PARAMETER MEASUREMENT INFORMATION

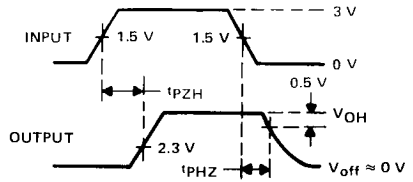
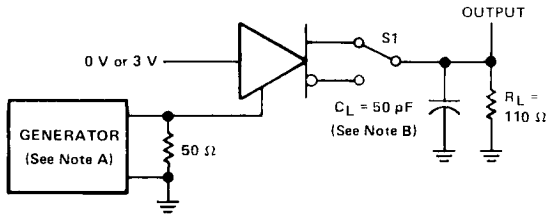


FIGURE 4. DRIVER ENABLE AND DISABLE TIMES

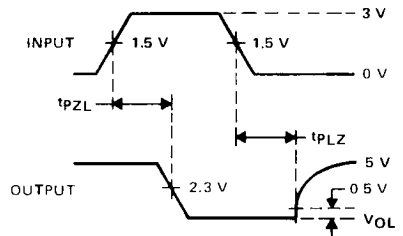
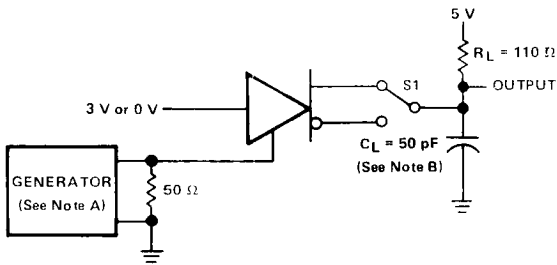


FIGURE 5. DRIVER ENABLE AND DISABLE TIMES

- NOTES: A. The input pulse is supplied by a generator having the following characteristics: PRR \leq 1 MHz, 50% duty cycle, $t_r \leq$ 6 ns, $t_f \leq$ 6 ns, $Z_{out} = 50 \Omega$.
B. C_L includes probe and jig capacitance.

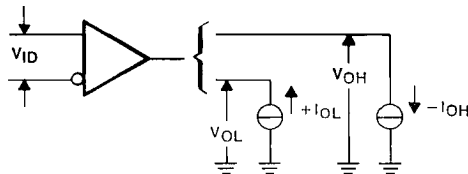
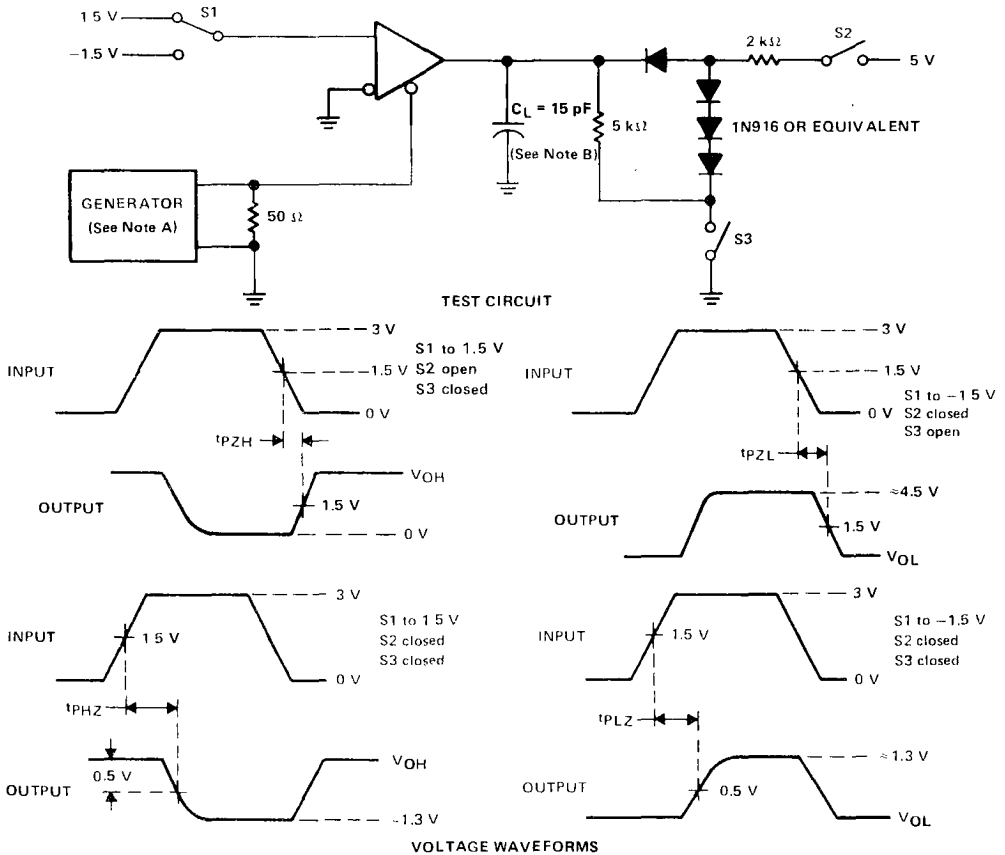
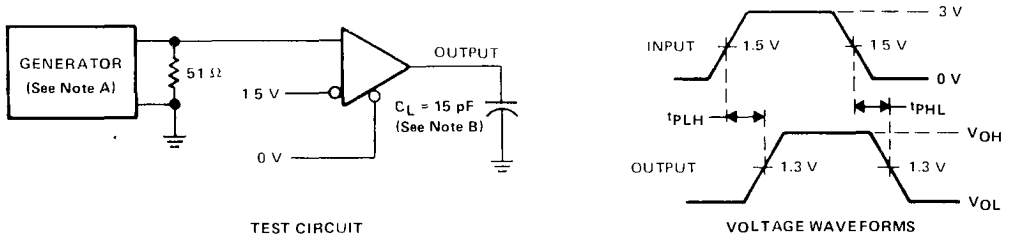


FIGURE 6. RECEIVER V_{OH} AND V_{OL}

SN65ALS180, SN75ALS180 DIFFERENTIAL DRIVER AND RECEIVER PAIRS

PARAMETER MEASUREMENT INFORMATION



NOTES: A. The input pulse is supplied by a generator having the following characteristics: PRR \leq 1 MHz, 50% duty cycle, $t_r \leq$ 6 ns, $t_f \leq$ 6 ns, $Z_{out} = 5 \Omega$.
 B. C_L includes probe and jig capacitance.

TYPICAL CHARACTERISTICS

DRIVER HIGH-LEVEL OUTPUT VOLTAGE
vs
DRIVER HIGH-LEVEL OUTPUT CURRENT

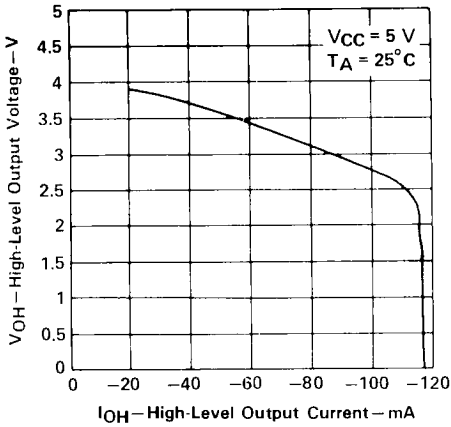


FIGURE 9

DRIVER LOW-LEVEL OUTPUT VOLTAGE
vs
DRIVER LOW-LEVEL OUTPUT CURRENT

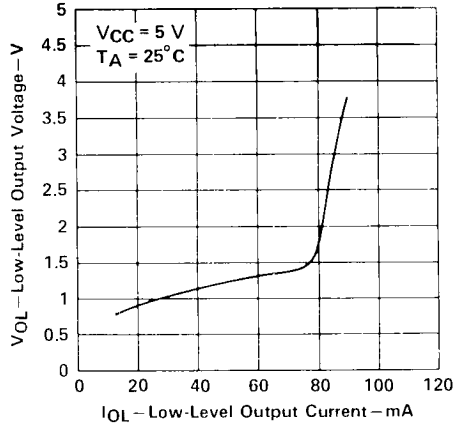


FIGURE 10

DRIVER DIFFERENTIAL OUTPUT VOLTAGE
vs

DRIVER OUTPUT CURRENT

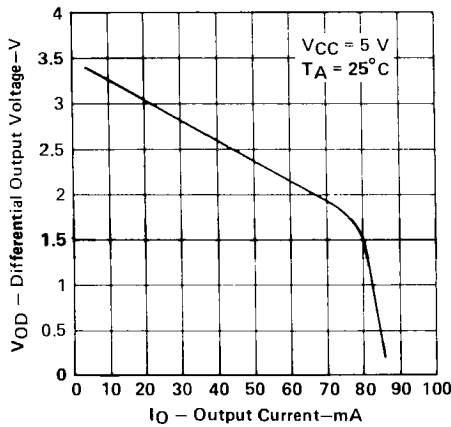


FIGURE 11

SN65ALS180, SN75ALS180 DIFFERENTIAL DRIVER AND RECEIVER PAIRS

TYPICAL CHARACTERISTICS

RECEIVER HIGH-LEVEL OUTPUT VOLTAGE
vs
HIGH-LEVEL OUTPUT CURRENT

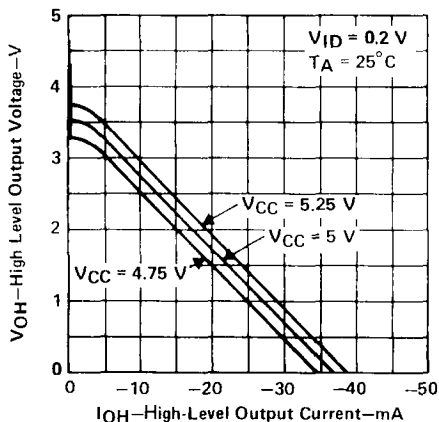


FIGURE 12

RECEIVER HIGH-LEVEL OUTPUT
vs
FREE-AIR TEMPERATURE

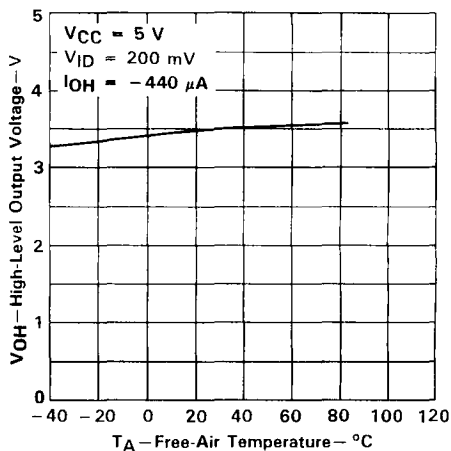


FIGURE 13

RECEIVER LOW-LEVEL OUTPUT VOLTAGE
vs
RECEIVER LOW-LEVEL OUTPUT CURRENT

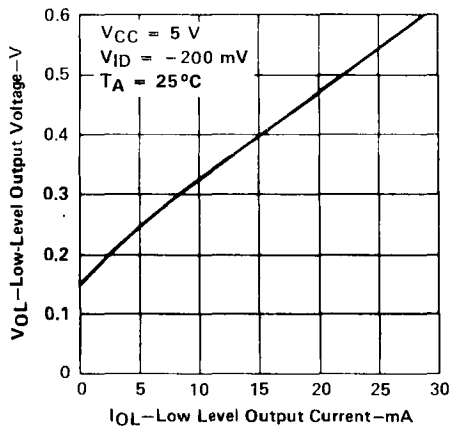


FIGURE 14

RECEIVER LOW-LEVEL OUTPUT VOLTAGE
vs
FREE-AIR TEMPERATURE

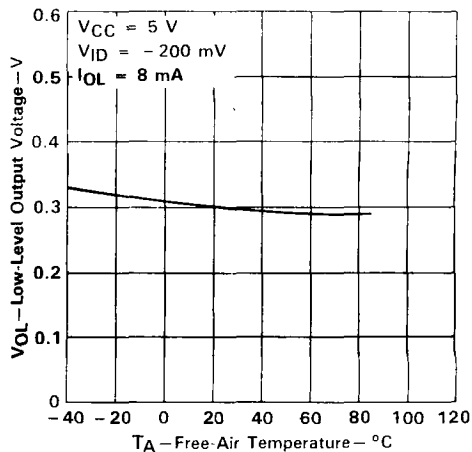


FIGURE 15

TYPICAL CHARACTERISTICS

RECEIVER OUTPUT VOLTAGE
vs
ENABLE VOLTAGE

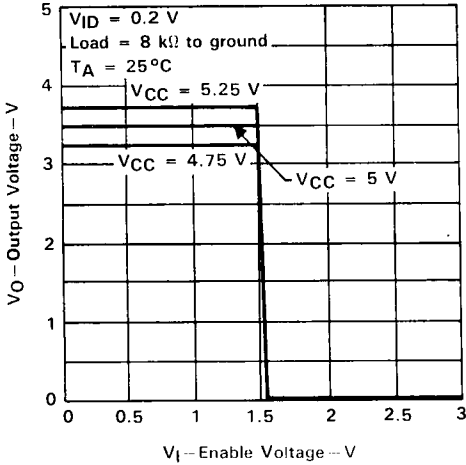


FIGURE 16

RECEIVER OUTPUT VOLTAGE
vs
ENABLE VOLTAGE

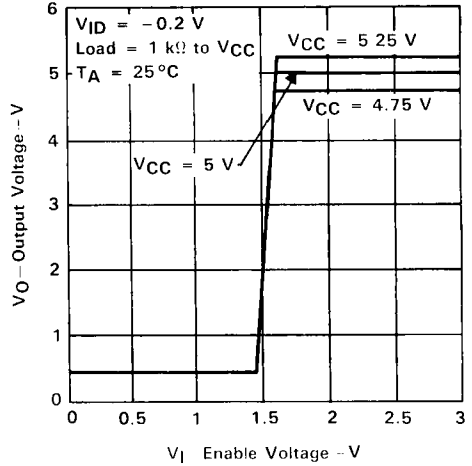
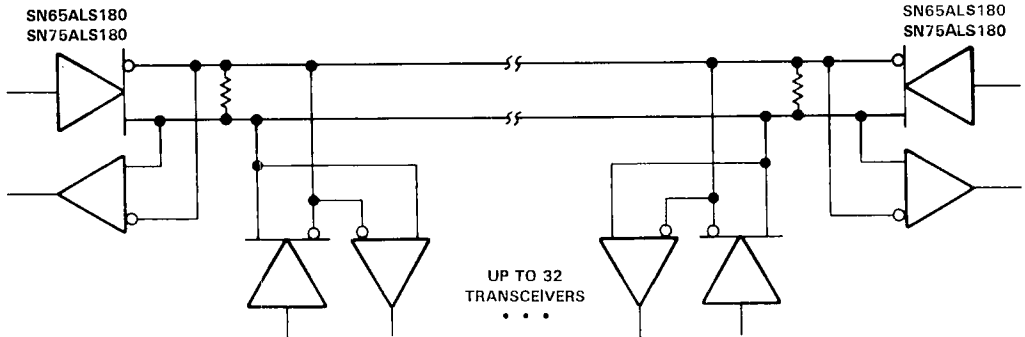


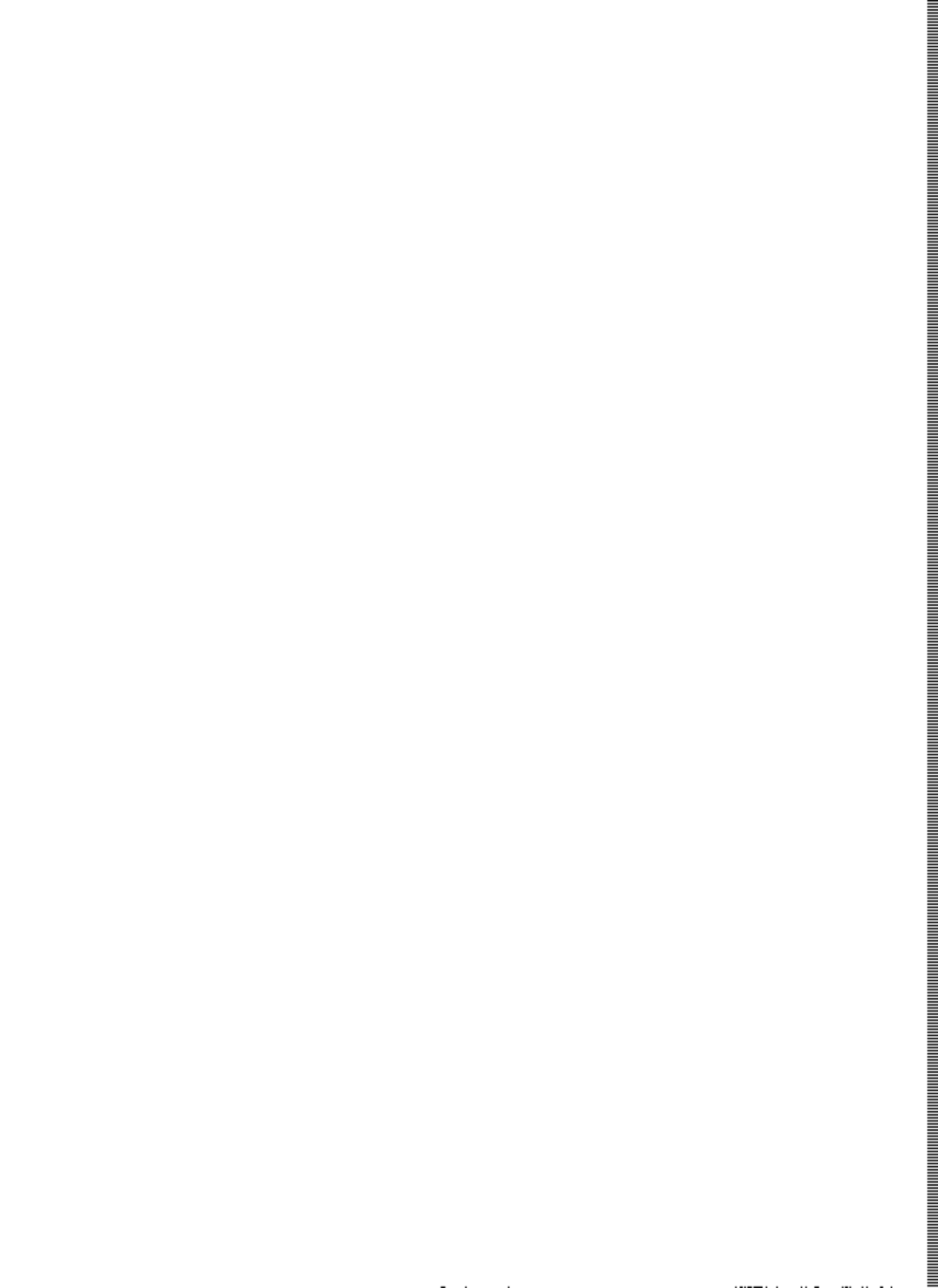
FIGURE 17

APPLICATION INFORMATION



NOTE: The line should be terminated at both ends in its characteristic impedance. Stub lengths off the main line should be kept as short as possible.

FIGURE 18. TYPICAL APPLICATION CIRCUIT



SN65C185, SN75C185 LOW-POWER MULTIPLE DRIVERS AND RECEIVERS

D3325, AUGUST 1989 – REVISED JULY 1990

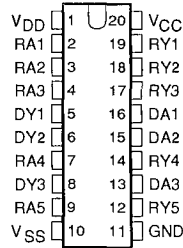
- Meets Standard EIA-232-D (Revision of RS-232-C)
- Single Chip With Easy Interface Between UART and Serial Port Connector
- Less than 8-mW Power Consumption
- Wide Driver Supply Voltage . . . 4.5 V to 13.2 V
- Driver Output Slew Rate Limited to 30 V/ μ s Max
- Receiver Input Hysteresis . . . 800 mV Typ
- Push-Pull Receiver Outputs
- On-Chip Receiver 1- μ s Noise Filter
- ESD Protection Exceeds 1000 V Per MIL-STD-883C, Method 3015

description

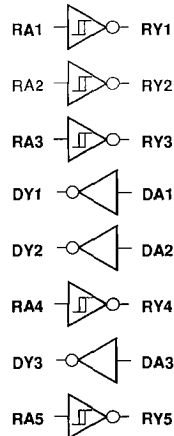
The SN65C185 and SN75C185 are low-power BIMOS devices containing three independent drivers and five receivers that are used to interface data terminal equipment (DTE) with data circuit-terminating equipment (DCE). The SN65C185 and SN75C185 will typically replace one SN75188 and two SN75189 devices. These devices have been designed to conform to Standards ANSI/EIA-232-D-1986, which supersedes RS-232-C. The three drivers and five receivers of the SN65C185 and SN75C185 are similar to those of the SN75C188 quadruple drivers and SN75C189A quadruple receivers, respectively. The drivers have a controlled output slew rate that is limited to a maximum of 30 V/ μ s and the receivers have filters that reject input noise pulses that are shorter than 1 μ s. Both these features eliminate the need for external components.

The SN65C185 and SN75C185 have been designed using low-power techniques in a Bi-MOS technology. In most applications the receivers contained in these devices will interface to single inputs of peripheral devices such as ACEs, UARTs, or microprocessors. By using sampling, such peripheral devices are usually insensitive to the transition times of the input signals. If this is not the case, or for other uses, it is recommended that the SN65C185 and SN75C185 receiver outputs be buffered by single Schmitt input gates or single gates of the HCMOS, ALS, or 74F logic families.

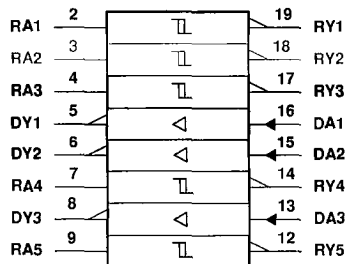
DW OR N PACKAGE
(TOP VIEW)



logic diagram (positive logic)



logic symbol†



†This symbol in accordance with ANSI/IEEE Std 91-1984 and IEC Publication 617-122.

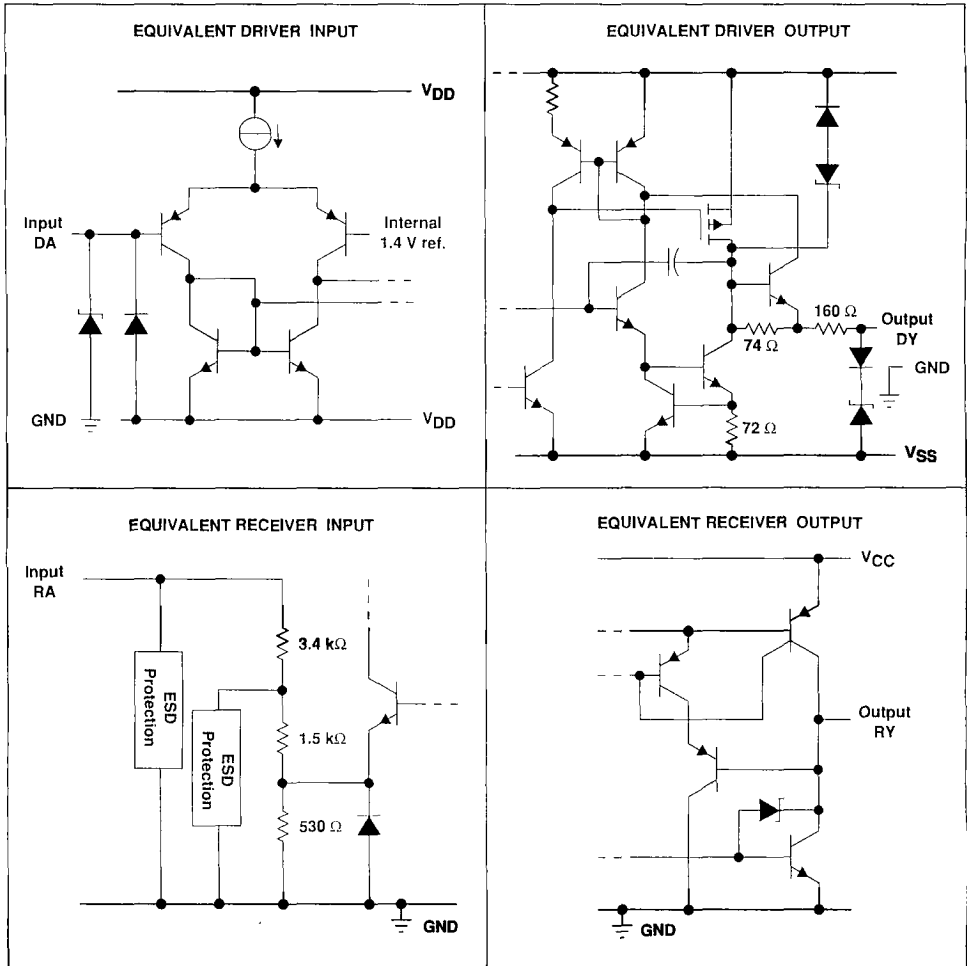
© 1990, Texas Instruments Incorporated
 This document contains information that is the property of Texas Instruments Corporation. Its disclosure to other parties without the written consent of Texas Instruments Corporation is strictly prohibited. Production processing does not necessarily include testing of all parameters.

SN65C185, SN75C185 LOW-POWER MULTIPLE DRIVERS AND RECEIVERS

description (continued)

The SN65C185 is characterized for operation from -40°C to 85°C . The SN75C185 is characterized for operation from 0°C to 70°C .

equivalent schematics of inputs and outputs



All resistor values are nominal.

SN65C185, SN75C185 LOW-POWER MULTIPLE DRIVERS AND RECEIVERS

absolute maximum ratings over operating free-air temperature range (unless otherwise noted)

Supply voltage, V_{DD} (see Note 1)	13.5 V
Supply voltage, V_{SS}	-13.5 V
Supply voltage, V_{CC}	7 V
Input voltage range, Driver	V_{SS} to V_{DD}
Receiver	-30 V to 30 V
Output voltage range, Driver	$V_{SS} - 6$ V to $V_{DD} + 6$ V
Receiver	-0.3 V to $V_{CC} + 0.3$ V
Continuous total dissipation	See Dissipation Rating Table
Operating free-air temperature range, T_A : SN65C185	-40°C to 85°C
SN75C185	0°C to 70°C
Storage temperature range	-65°C to 150°C
Lead temperature 1,6 mm (1/16 inch) from case for 10 seconds	260°C

NOTE 1: All voltages are with respect to the network ground terminal.

DISSIPATION RATING TABLE

PACKAGE	$T_A \leq 25^\circ\text{C}$	DERATING FACTOR	$T_A = 85^\circ\text{C}$
	POWER RATING	ABOVE $T_A = 25^\circ\text{C}$	POWER RATING
DW	1125 mW	9.0 mW/°C	585 mW
N	1150 mW	9.2 mW/°C	598 mW

recommended operating conditions

		MIN	NOM	MAX	UNIT
Supply voltage, V_{DD}		4.5	12	13.2	V
Supply voltage, V_{SS}		-4.5	-12	-13.2	V
Supply voltage, V_{CC}		4.5	5	6	V
Input voltage, V_I (see Note 2)	Driver	$V_{SS} + 2$		V_{DD}	V
	Receiver	-25		25	
High-level input voltage, V_{IH}	Driver	2			V
Low-level input voltage, V_{IL}		0.8			
High-level output current, I_{OH}	Receiver	-1			mA
Low-level output current, I_{OL}		3.2			
Operating free-air temperature, T_A	SN65C185	-40		85	°C
	SN75C185	0		70	

NOTE 2: The algebraic convention, where the more positive (less negative) limit is designated as maximum, is used in this data sheet for logic levels only, e.g., if -10 V is a maximum, the typical value is a more negative voltage.

SN65C185, SN75C185 LOW-POWER MULTIPLE DRIVERS AND RECEIVERS

SUPPLY CURRENTS

PARAMETER	TEST CONDITIONS	MIN	TYP	MAX	UNIT
I_{DD} Supply current from V_{DD}	No load,	$V_{DD} = 5\text{ V}$, $V_{SS} = -5\text{ V}$	115		μA
	All inputs at 2 V or 0.8 V	$V_{DD} = 12\text{ V}$, $V_{SS} = -12\text{ V}$	115	200	
I_{SS} Supply current from V_{SS}	No load,	$V_{DD} = 5\text{ V}$, $V_{SS} = -5\text{ V}$	-115	-200	μA
	All inputs at 2 V or 0.8 V	$V_{DD} = 12\text{ V}$, $V_{SS} = -12\text{ V}$	-115	-200	
I_{CC} Supply current from V_{CC}	No load,	$V_{DD} = 5\text{ V}$, $V_{SS} = -5\text{ V}$		750	μA
	All inputs at 0 or 5 V	$V_{DD} = 12\text{ V}$, $V_{SS} = -12\text{ V}$		750	

DRIVER SECTION

driver electrical characteristics over operating free-air temperature range, $V_{DD} = 12\text{ V}$, $V_{SS} = -12\text{ V}$, $V_{CC} = 5\text{ V} \pm 10\%$ (unless otherwise noted)

PARAMETER	TEST CONDITIONS	MIN	TYP [†]	MAX	UNIT
V_{OH} High-level output voltage	$V_{IL} = 0.8\text{ V}$, $R_L = 3\text{ k}\Omega$, See Figure 1	$V_{DD} = 5\text{ V}$, $V_{SS} = -5\text{ V}$	4	4.5	V
		$V_{DD} = 12\text{ V}$, $V_{SS} = -12\text{ V}$	10	10.8	
V_{OL} Low-level output voltage (see Note 2)	$V_{IH} = 0.8\text{ V}$, $R_L = 3\text{ k}\Omega$, See Figure 1	$V_{DD} = 5\text{ V}$, $V_{SS} = -5\text{ V}$	-4.4	-4	V
		$V_{DD} = 12\text{ V}$, $V_{SS} = -12\text{ V}$	-10.7	-10	
I_{IH} High-level input current	$V_I = 5\text{ V}$, See Figure 2			1	μA
I_{IL} Low-level input current	$V_I = 0$, See Figure 2			-1	μA
$I_{OS(H)}$ High-level short circuit output current (see Note 3)	$V_I = 0.8\text{ V}$, $V_O = 0$ or $V_O = V_{SS}$, See Figure 1	-4.5	-12	-19.5	mA
$I_{OS(L)}$ Low-level short circuit output current (see Note 3)	$V_I = 2\text{ V}$, $V_O = 0$ or $V_O = V_{DD}$, See Figure 1	4.5	12	19.5	mA
r_o Output resistance	$V_{DD} = V_{SS} = V_{CC} = 0$, $V_O = -2\text{ V}$ to 2 V , See Note 4	300	400		Ω

[†]All typical values are at $T_A = 25^\circ\text{C}$.

NOTES: 2. The algebraic convention, where the more positive (less negative) limit is designated as maximum, is used in this data sheet for logic levels only, e.g., if -10 V is a maximum, the typical value is a more negative voltage.

- Not more than one output should be shorted at one time.
- Test conditions are those specified by EIA-232-D.

driver switching characteristics, $V_{DD} = 12\text{ V}$, $V_{SS} = -12\text{ V}$, $V_{CC} = 5\text{ V} \pm 10\%$, $T_A = 25^\circ\text{C}$

PARAMETER	TEST CONDITIONS	MIN	TYP	MAX	UNIT	
t_{PLH} Propagation delay time, low-to-high-level output (see Note 5)	$R_L = 3\text{ k}\Omega$ to $7\text{ k}\Omega$, $C_L = 15\text{ pF}$, See Figure 3		1.2	3	μs	
t_{PHL} Propagation delay time, high-to-low-level output (see Note 5)			2.5	3.5	μs	
t_{TLH} Transition time, low-to-high-level output			0.53	2	3.2	μs
t_{THL} Transition time, high-to-low-level output			0.53	2	3.2	μs
t_{TLH} Transition time, low-to-high-level output (see Note 6)		$R_L = 3\text{ k}\Omega$ to $7\text{ k}\Omega$, $C_L = 2500\text{ pF}$, See Figure 3		1.0	3	μs
t_{THL} Transition time, high-to-low-level output (see Note 6)	See Figure 3		1.0	3	μs	
SR Output slew rate (see Note 6)	$R_L = 3\text{ k}\Omega$ to $7\text{ k}\Omega$, $C_L = 15\text{ pF}$, See Figure 3	4	10	30	V/ μs	

NOTES: 5. t_{PHL} and t_{PLH} include the additional time due to on-chip slew rate and is measured at the 50% points.

- Measured between 3-V and -3 V points of output waveform (EIA-232-D conditions), all unused inputs tied either high or low.

SN65C185, SN75C185 LOW-POWER MULTIPLE DRIVERS AND RECEIVERS

RECEIVER SECTION

receiver electrical characteristics over operating free-air temperature range, $V_{DD} = 12\text{ V}$, $V_{SS} = -12\text{ V}$, $V_{CC} = 5\text{ V} \pm 10\%$ (unless otherwise noted)

PARAMETER		TEST CONDITIONS	MIN	TYP†	MAX	UNIT
V_{T+}	Positive-going threshold voltage	See Figure 5	1.6	2.1	2.55	V
V_{T-}	Negative-going threshold voltage	See Figure 5	0.65	1	1.25	V
V_{hys}	Input hysteresis (see Note 7)		600	1000		mV
V_{OH}	High-level output voltage	$V_I = 0.75\text{ V}$, $I_{OH} = -20\text{ }\mu\text{A}$, See Figure 5 and Note 8	3.5			V
		$V_I = 0.75\text{ V}$, $I_{OH} = -1\text{ mA}$, See Figure 5	$V_{CC} = 4.5\text{ V}$	2.8	4.4	
			$V_{CC} = 5\text{ V}$	3.8	4.9	
			$V_{CC} = 5.5\text{ V}$	4.3	5.4	
V_{OL}	Low-level output voltage	$V_I = 3\text{ V}$, $I_{OL} = 3.2\text{ mA}$, See Figure 5		0.17	0.4	V
I_{IH}	High-level input current	$V_I = 3\text{ V}$	0.43	0.55	1	mA
		$V_I = 25\text{ V}$	3.6	4.6	8.3	
I_{IL}	Low-level input current	$V_I = -3\text{ V}$	-0.43	-0.55	-1	mA
		$V_I = -25\text{ V}$	-3.6	-5.0	-8.3	
$I_{OS(H)}$	Short-circuit output current at high-level	$V_I = 0.75$, $V_O = 0$, See Figure 4		-8	-15	mA
$I_{OS(L)}$	Short-circuit output current at low-level	$V_I = V_{CC}$, $V_O = V_{CC}$, See Figure 4		13	25	μA

†All typical values are at $T_A = 25^\circ\text{C}$.

NOTES: 7. Hysteresis is the difference between the positive-going input threshold voltage, V_{T+} , and the negative-going input threshold voltage, V_{T-} .

8. If the inputs are left unconnected, the receiver interprets this as an input low, and the receiver outputs will remain in the high state.

receiver switching characteristics, $V_{DD} = 12\text{ V}$, $V_{SS} = -12\text{ V}$, $V_{CC} = 5\text{ V} \pm 10\%$, $T_A = 25^\circ\text{C}$ (unless otherwise noted)

PARAMETER		TEST CONDITIONS		MIN	TYP	MAX	UNIT
t_{PLH}	Propagation delay time, low-to-high-level output	$R_L = 5\text{ k}\Omega$, See Figure 6	$C_L = 50\text{ pF}$,		3	4	μs
t_{PHL}	Propagation delay time, high-to-low-level output				3	4	μs
t_{TLH}	Transition time, low-to-high-level output				300	450	ns
t_{THL}	Transition time, high-to-low-level output				100	300	ns
$t_{w(N)}$	Pulse duration of longest pulse rejected as noise (see Note 9)			$R_L = 5\text{ k}\Omega$, See Figure 6	$C_L = 50\text{ pF}$,	1	

NOTE 9: The intent of this specification is that any input pulse of less than $1\text{ }\mu\text{s}$ will have no effect on the output, and any pulse duration of greater than $4\text{ }\mu\text{s}$ will cause the output to change state twice. Reaction to a pulse duration between $1\text{ }\mu\text{s}$ and $4\text{ }\mu\text{s}$ is uncertain.

PARAMETER MEASUREMENT INFORMATION

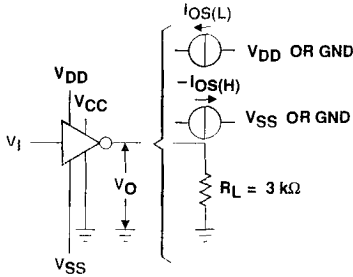


Figure 1. Driver Test Circuit for V_{OH} , V_{OL} , $I_{OS(H)}$, and $I_{OS(L)}$

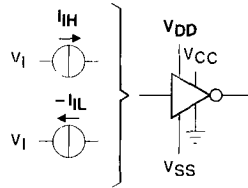
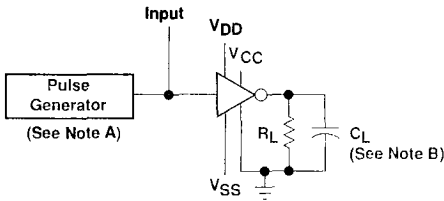
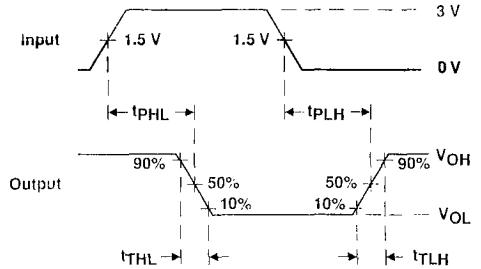


Figure 2. Driver Test Circuit for I_{iH} and I_{iL}



(a) DRIVER TEST CIRCUIT



(b) DRIVER VOLTAGE WAVEFORMS

NOTES: A. The pulse generator has the following characteristics: $t_w = 25\ \mu\text{s}$, $\text{PRR} = 20\ \text{kHz}$, $Z_0 = 50\ \Omega$, $t_r = t_f < 50\ \text{ns}$.
 B. C_L includes probe and jig capacitance.

Figure 3. Driver Propagation and Transition Times

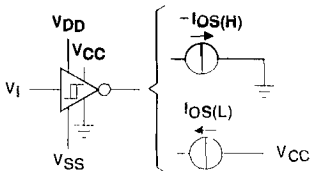


Figure 4. Receiver Test Circuit for $I_{OS(H)}$ and $I_{OS(L)}$

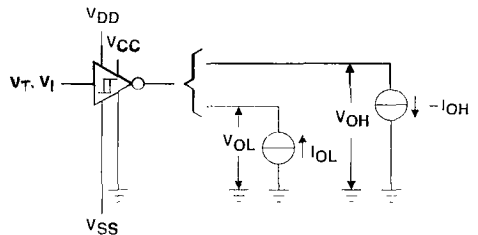
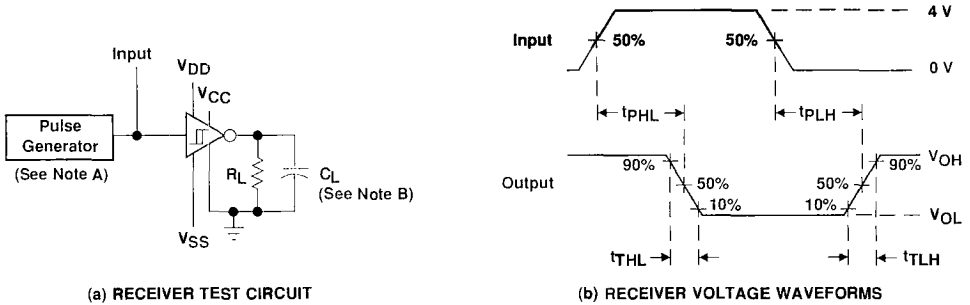


Figure 5. Receiver Test Circuit for V_T , V_{OH} , and V_{OL}

PARAMETER MEASUREMENT INFORMATION



NOTES: A. The pulse generator has the following characteristics: $t_w = 25 \mu s$, $PRR = 20 \text{ kHz}$, $Z_o = 50 \Omega$, $t_r = t_f < 50 \text{ ns}$.
 B. C_L includes probe and jig capacitance.

Figure 6. Receiver Propagation and Transition Times

APPLICATION INFORMATION

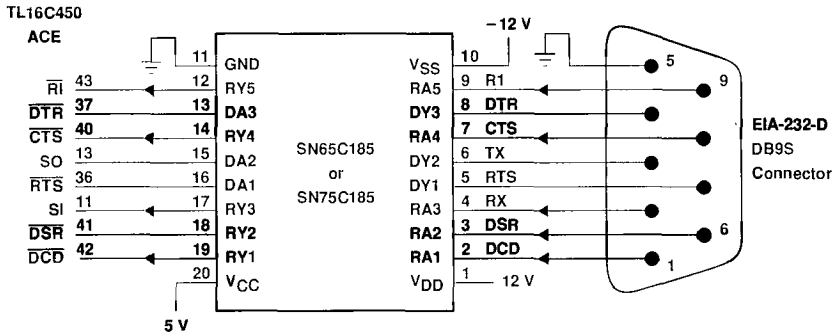
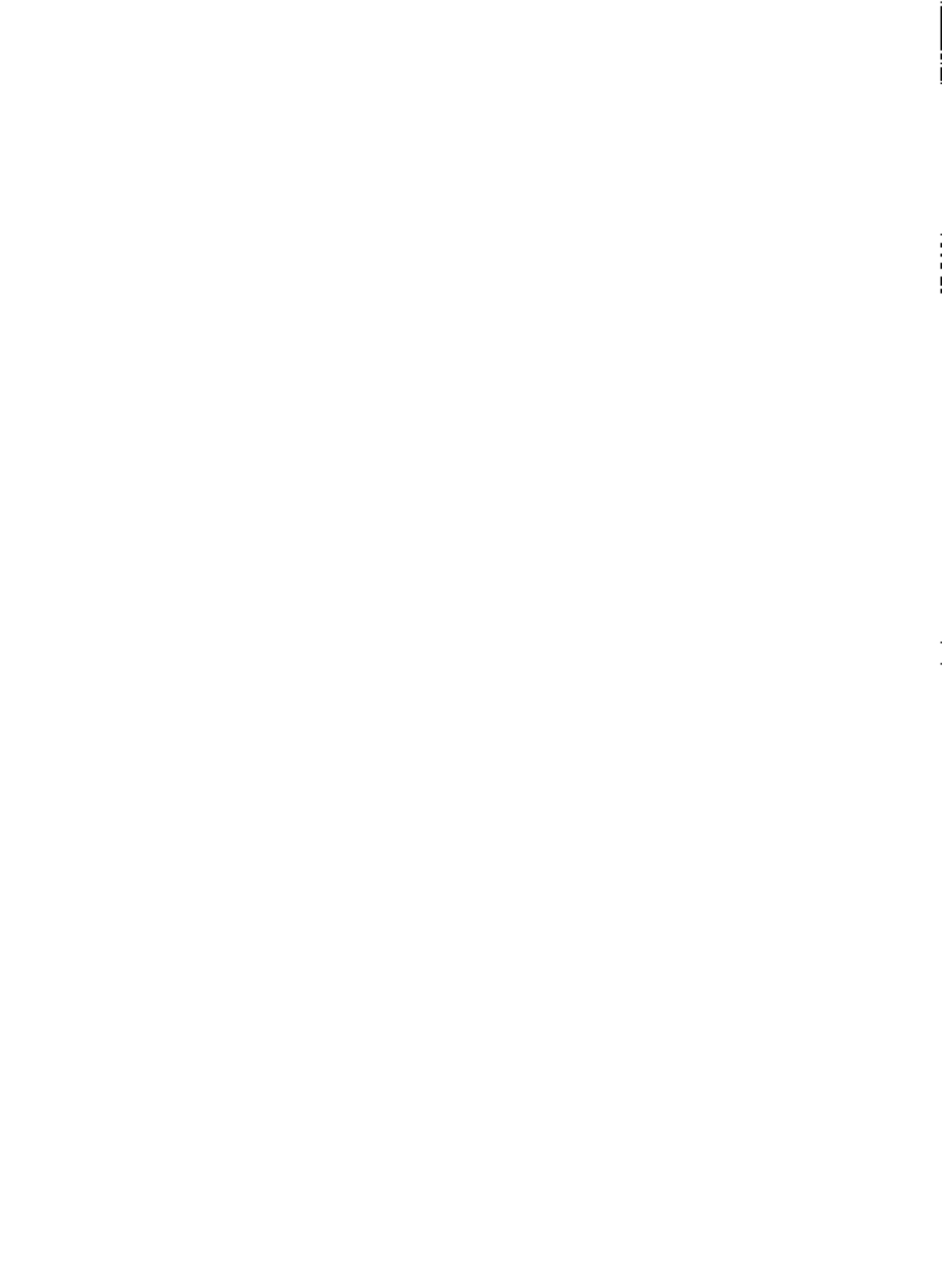


Figure 7. Typical Connection

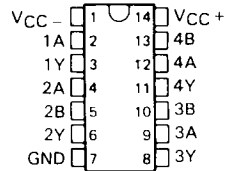


SN65C188, SN75C188 QUADRUPLE LOW-POWER LINE DRIVER

D3075, JANUARY 1988—REVISED MAY 1990

- BiMOS Technology With TTL and CMOS Compatibility
- Meets Standard EIA-232-D (Revision of RS-232-C)
- Very Low Quiescent Current: 95 μ A Typ
 $V_{CC\pm} = \pm 12$ V
- Current-Limited Output: 10 mA Typ
- CMOS- and TTL-Compatible Inputs
- On-Chip Slew Rate Limited to 30 V/ μ s max
- Flexible Supply Voltage Range
- Characterized at $V_{CC} \pm$ of ± 4.5 V and ± 15 V
- Functionally Interchangeable With Texas Instruments SN75188, Motorola MC1488, and National Semiconductor DS14C88
- ESD Protection Exceeds 2000 V Per MIL-Std-883C Method 3015

D, DB, OR N PACKAGE
(TOP VIEW)



FUNCTION TABLES

DRIVER 1

A	Y
H	L
L	H

DRIVERS 2 THRU 4

A	B	Y
H	H	L
L	X	H
X	L	H

H = High Level L = Low Level X = Don't Care

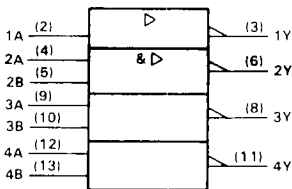
description

The SN65C188 and SN75C188 are monolithic, low-power, quadruple line drivers that interface data terminal equipment with data communications equipment. These devices are designed to conform to Standard ANSI/EIA-232-D-1986, which supercedes RS-232-C.

An external diode in series with each supply-voltage terminal is needed to protect the SN65C188 and SN75C188 under certain fault conditions to comply with EIA-232-D (refer to Application Information).

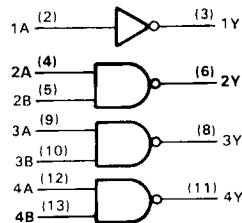
The SN65C188 is characterized for operation from -40°C to 85°C . The SN75C188 is characterized for operation from 0°C to 70°C .

logic symbol†



† This symbol is in accordance with ANSI/IEEE Std. 91-1984 and IEC Publication 617-12.

logic diagram (positive logic)



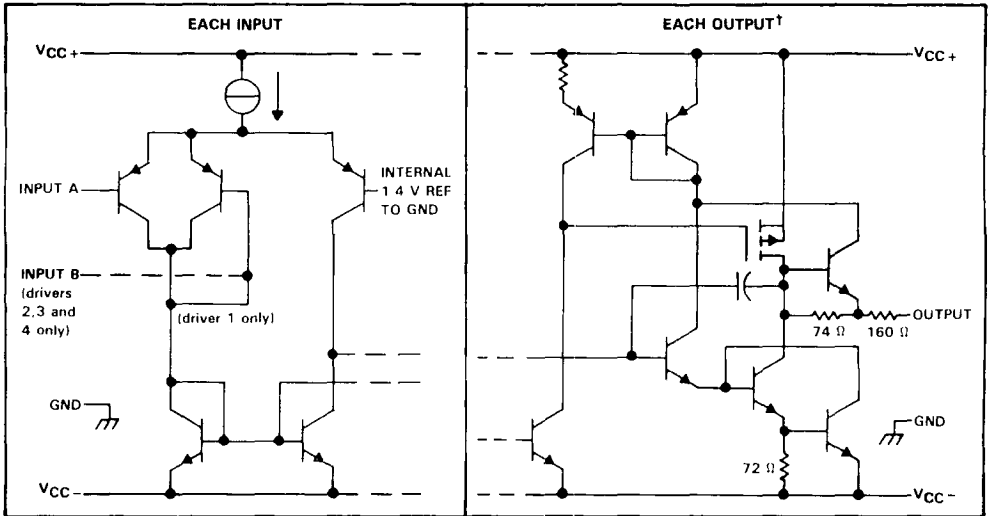
positive logic

$Y = \bar{A}$ (driver 1)

$Y = \bar{A}\bar{B}$ or $\bar{A} + \bar{B}$ (drivers 2 thru 4)

SN65C188, SN75C188 QUADRUPLE LOW-POWER LINE DRIVER

schematics of inputs and outputs



†All resistor values shown are nominal.

absolute maximum ratings over operating free-air temperature range (unless otherwise noted)

Supply voltage, V_{CC+} (see Note 1)	15 V
Supply voltage, V_{CC-} (see Note 1)	-15 V
Input voltage range, V_I	V_{CC-} to V_{CC+}
Output voltage range, V_O	$V_{CC-} - 6 V$ to $V_{CC+} + 6 V$
Continuous total power dissipation	See Dissipation Rating Table
Operating free-air temperature range, T_A : SN65C188	-40°C to 85°C
SN75C188	0°C to 70°C
Storage temperature range	-65°C to 150°C
Lead temperature 1, 6 mm (1/16 in.) from case for 10 seconds	260°C

NOTE 1: All voltage values are with respect to the network ground terminal.

DISSIPATION RATING TABLE

PACKAGE	$T_A \leq 25^\circ\text{C}$ POWER RATING	DERATING FACTOR ABOVE $T_A = 25^\circ\text{C}$	$T_A = 85^\circ\text{C}$ POWER RATING
D	950 mW	7.6 mW/°C	494 mW
DB	525 mW	4.2 mW/°C	273 mW
N	1150 mW	9.2 mW/°C	598 mW

SN65C188, SN75C188
QUADRUPLE LOW-POWER LINE DRIVER

recommended operating conditions

		MIN	NOM	MAX	UNIT
Supply voltage, V_{CC+}		4.5	12	15	V
Supply voltage, V_{CC-}		-4.5	-12	-15	V
Input voltage, V_I		$V_{CC-} + 2$		V_{CC+}	V
High-level input voltage, V_{IH}		2			V
Low-level input voltage, V_{IL}		0.8			V
Operating free-air temperature, T_A	SN65C188	-40	85		°C
	SN75C188	0	70		

electrical characteristics over operating free-air temperature range, $V_{CC+} = 12\text{ V}$, $V_{CC-} = -12\text{ V}$ (unless otherwise noted)

PARAMETER		TEST CONDITIONS		MIN	TYP†	MAX	UNIT
V_{OH}	High-level output voltage	$V_{IL} = 0.8\text{ V}$, $R_L = 3\text{ k}\Omega$	$V_{CC+} = 5\text{ V}$, $V_{CC-} = -5\text{ V}$	4			V
			$V_{CC+} = 12\text{ V}$, $V_{CC-} = -12\text{ V}$	10			
V_{OL}	Low-level output voltage (see Note 2)	$V_{IH} = 2\text{ V}$, $R_L = 3\text{ k}\Omega$	$V_{CC+} = 5\text{ V}$, $V_{CC-} = -5\text{ V}$			-4	V
			$V_{CC+} = 12\text{ V}$, $V_{CC-} = -12\text{ V}$			-10	
I_{IH}	High-level input current	$V_I = 5\text{ V}$				10	μA
I_{IL}	Low-level input current	$V_I = 0$				-10	μA
$I_{OS(H)}$	Short-circuit output current at high level‡	$V_I = 0.8\text{ V}$, $V_O = 0$ or V_{CC-}		-5.5	-10	-19.5	mA
$I_{OS(L)}$	Short-circuit output current at low level‡	$V_I = 2\text{ V}$, $V_O = 0$ or V_{CC+}		5.5	10	19.5	mA
r_o	Output resistance, power off	$V_{CC+} = 0$, $V_{CC-} = 0$, $V_O = -2\text{ V}$ to 2 V		300			Ω
I_{CC+}	Supply current from V_{CC+}	$V_{CC+} = 5\text{ V}$, $V_{CC-} = -5\text{ V}$, No load	All inputs at 2 V or 0.8 V		90	160	μA
		$V_{CC+} = 12\text{ V}$, $V_{CC-} = -12\text{ V}$, No load	All inputs at 2 V or 0.8 V		95	160	
I_{CC-}	Supply current from V_{CC-}	$V_{CC+} = 5\text{ V}$, $V_{CC-} = -5\text{ V}$, No load	All inputs at 2 V or 0.8 V		-90	-160	μA
		$V_{CC+} = 12\text{ V}$, $V_{CC-} = -12\text{ V}$, No load	All inputs at 2 V or 0.8 V		-95	-160	

†All typical values are at $T_A = 25^\circ\text{C}$.

‡Not more than one output should be shorted at one time.

NOTE 2: The algebraic convention, in which the more positive (less negative) limit is designated as maximum, is used in this data sheet for logic levels only, e.g., if a -4 V is a maximum, the typical value is a more negative voltage.

SN65C188, SN75C188
QUADRUPLE LOW-POWER LINE DRIVER

switching characteristics, $V_{CC+} = 12\text{ V}$, $V_{CC-} = -12\text{ V}$, $T_A = 25^\circ\text{C}$

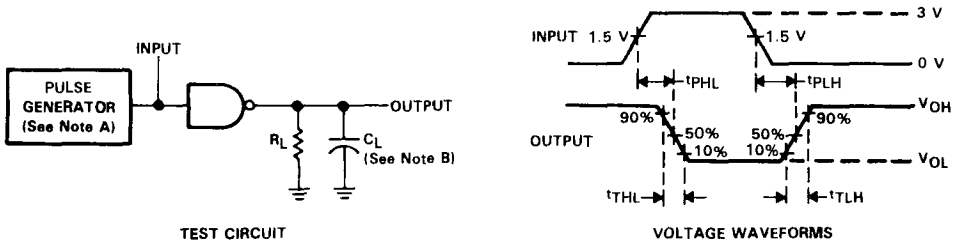
PARAMETER	TEST CONDITIONS	MIN	TYP	MAX	UNIT
t_{PLH} Propagation delay time, low-to-high level output [†]	$R_L = 3\text{ k}\Omega$, $C_L = 15\text{ pF}$,			3	μs
t_{PHL} Propagation delay time, high-to-low level output [†]	See Figure 1			3.5	μs
t_{TLH} Transition time, low-to-high-level output [‡]		0.53		3.2	μs
t_{THL} Transition time, high-to-low-level output [‡]		0.53		3.2	μs
t_{TLH} Transition time, low-to-high-level output [§]	$R_L = 3\text{ k}\Omega$ to $7\text{ k}\Omega$, $C_L = 2500\text{ pF}$,		1.5	3	μs
t_{THL} Transition time, high-to-low-level output [§]	See Figure 1		1.5	3	μs
SR Output slew rate [§]	$R_L = 3\text{ k}\Omega$ to $7\text{ k}\Omega$, $C_L = 15\text{ pF}$	6	15	30	$\text{V}/\mu\text{s}$

[†]Measured at the 50% level.

[‡]Measured between the 10% and 90% points on the output waveform.

[§]Measured between the 3 V and -3 V points on the output waveform (EIA-232-D conditions), all unused inputs tied either high or low.

PARAMETER MEASUREMENT INFORMATION



NOTES: A. The pulse generator has the following characteristics: $t_w = 25\ \mu\text{s}$, $\text{PRR} = 20\ \text{kHz}$, $Z_o = 50\ \Omega$, $t_r = t_f \leq 50\ \text{ns}$.
 B. C_L includes probe and jig capacitance.

FIGURE 1. PROPAGATION AND TRANSITION TIMES

TYPICAL CHARACTERISTICS

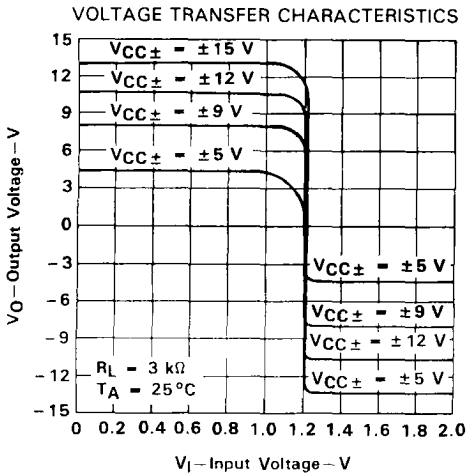


FIGURE 2

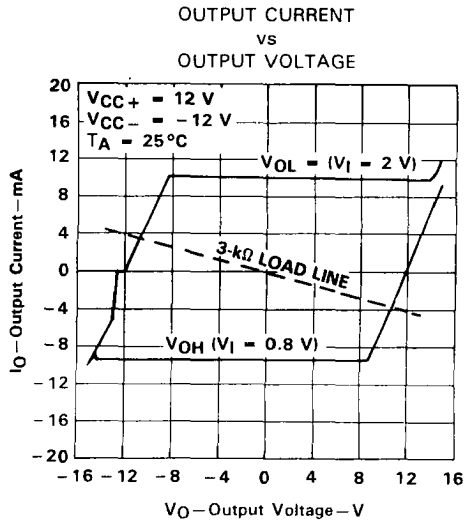


FIGURE 3

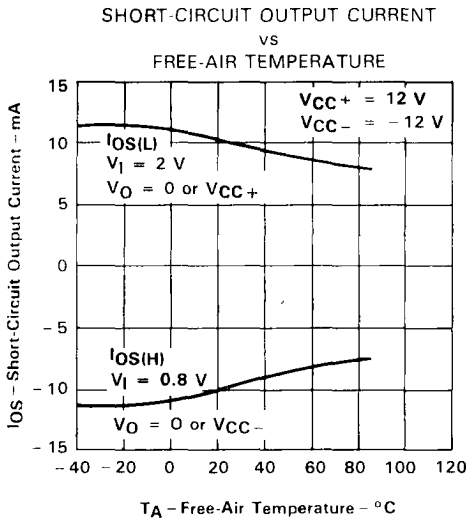


FIGURE 4

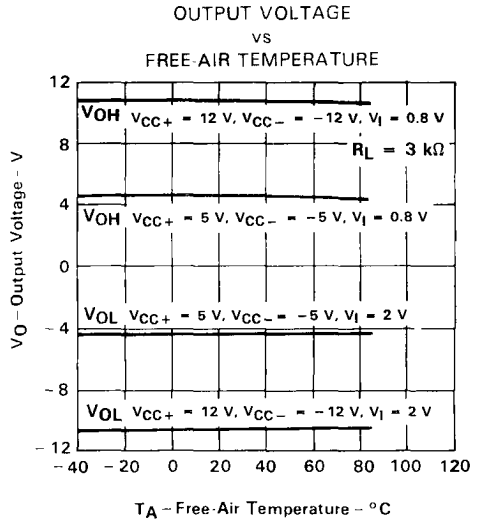


FIGURE 5

SN65C188, SN75C188
QUADRUPLE LOW-POWER LINE DRIVER

TYPICAL CHARACTERISTICS

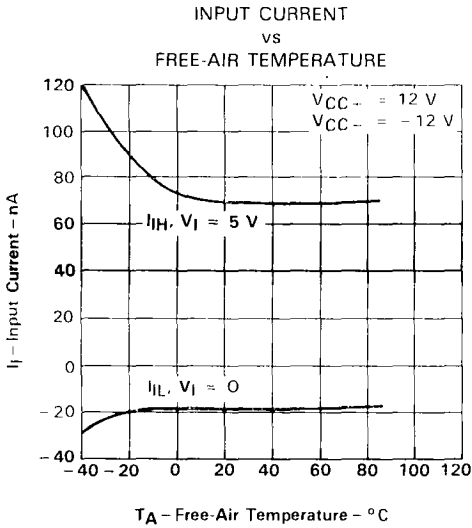


FIGURE 6

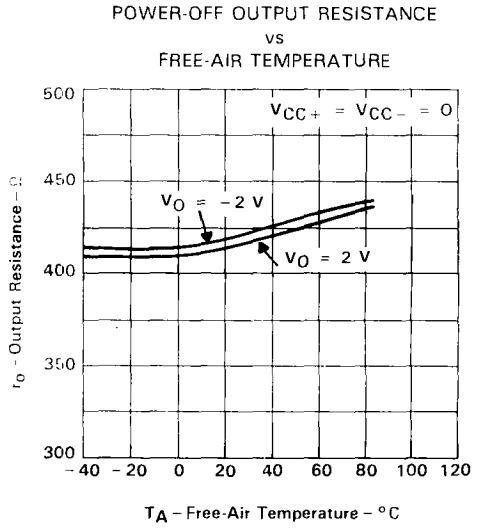


FIGURE 7

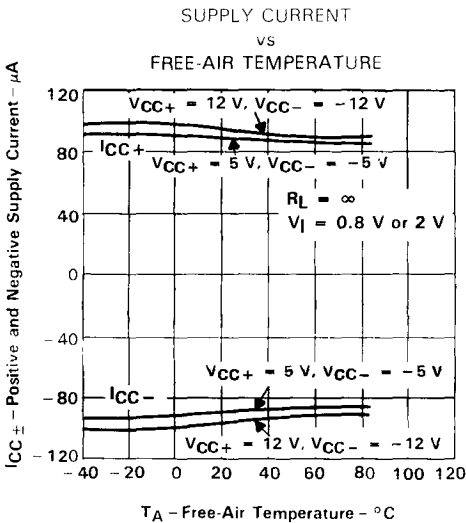


FIGURE 8

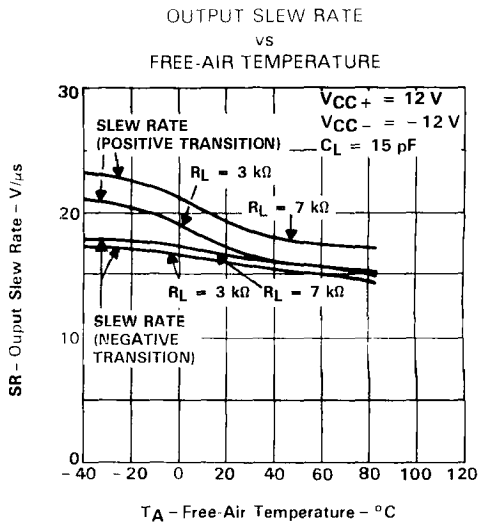


FIGURE 9



TYPICAL CHARACTERISTICS

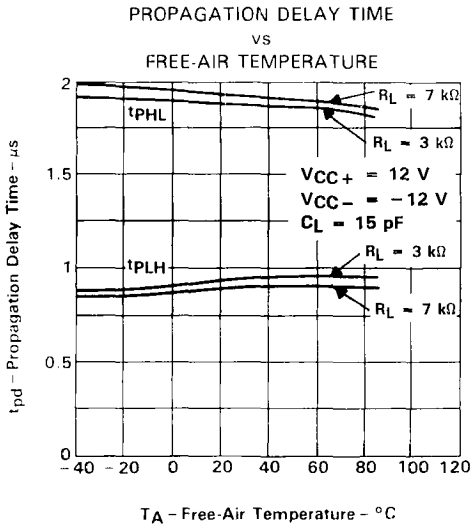


FIGURE 10

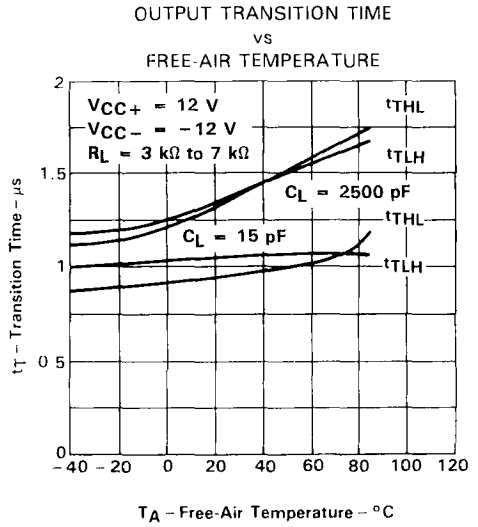


FIGURE 11

SN65C188, SN75C188
QUADRUPLE LOW-POWER LINE DRIVER

APPLICATION INFORMATION

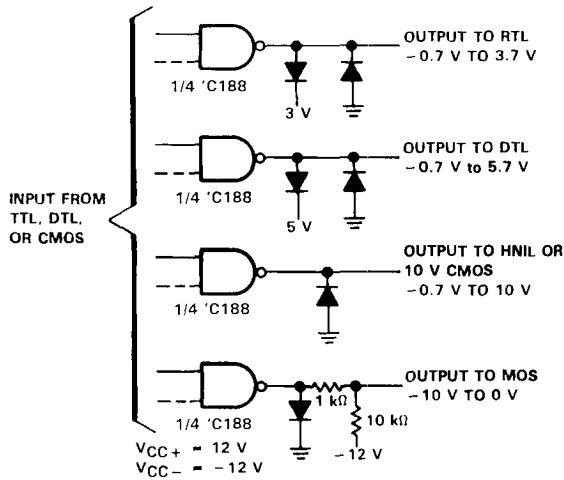
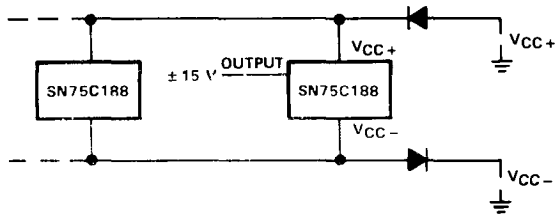


FIGURE 12. LOGIC TRANSLATOR APPLICATIONS

APPLICATION INFORMATION



NOTE: External diodes placed in series with the V_{CC+} and V_{CC-} leads will protect the SN75C188 in the fault condition where the device outputs are shorted to ±15 V and the power supplies are at low voltage and provide low-impedance paths to ground

FIGURE 13. POWER SUPPLY PROTECTION TO MEET POWER-OFF
FAULT CONDITIONS OF STANDARD EIA-232-D

SN65C1154, SN75C1154 QUADRUPLE LOW-POWER DRIVERS/RECEIVERS

D3230, DECEMBER 1988—REVISED MAY 1990

- Meets Standard EIA-232-D (Revision of RS-232-C)
- Very Low Power Consumption . . . 5 mW Typ
- Wide Driver Supply Voltage . . . ± 4.5 V to ± 15 V
- Driver Output Slew Rate Limited to 30 V/ μ s Max
- Receiver Input Hysteresis . . . 1000 mV Typ
- Push-Pull Receiver Outputs
- On-Chip Receiver 1- μ s Noise Filter
- ESD Protection Exceeds 2000 V Per MIL-Std-883C Method 3015

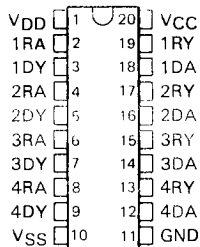
description

The SN65C1154 and SN75C1154 are low-power Bi-MOS devices containing 4 independent drivers and receivers that are used to interface data terminal equipment (DTE) with data circuit-terminating equipment (DCE). This device has been designed to conform to Standards ANSI/EIA-232-D-1986 (which supersedes RS-232-C). The drivers and receivers of the SN65C1154 and SN75C1154 are similar to those of the SN75C188 quadruple driver and SN75C189A quadruple receiver, respectively. The drivers have a controlled output slew rate that is limited to a maximum of 30 V/ μ s and the receivers have filters that reject input noise pulses of shorter than 1 μ s. Both these features eliminate the need for external components.

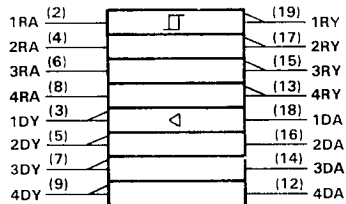
The SN65C1154 and SN75C1154 have been designed using low-power techniques in a Bi-MOS technology. In most applications, the receivers contained in these devices interface to single inputs of peripheral devices such as ACEs, UARTs, or microprocessors. By using sampling, such peripheral devices are usually insensitive to the transition times of the input signals. If this is not the case, or for other uses, it is recommended that the SN65C1154 and SN75C1154 receiver outputs be buffered by single Schmitt input gates or single gates of the HCMOS, ALS, or 74F logic families.

The SN65C1154 is characterized for operation from -40°C to 85°C . The SN75C1154 is characterized for operation from 0°C to 70°C .

DW OR N PACKAGE
(TOP VIEW)



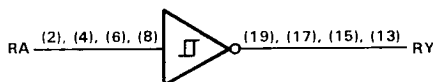
logic symbol†



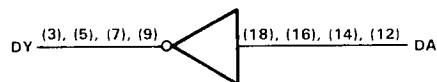
† This symbol is in accordance with ANSI/IEEE Std 91-1984 and IEC Publication 617-12.

logic diagram (positive logic)

typical of each receiver

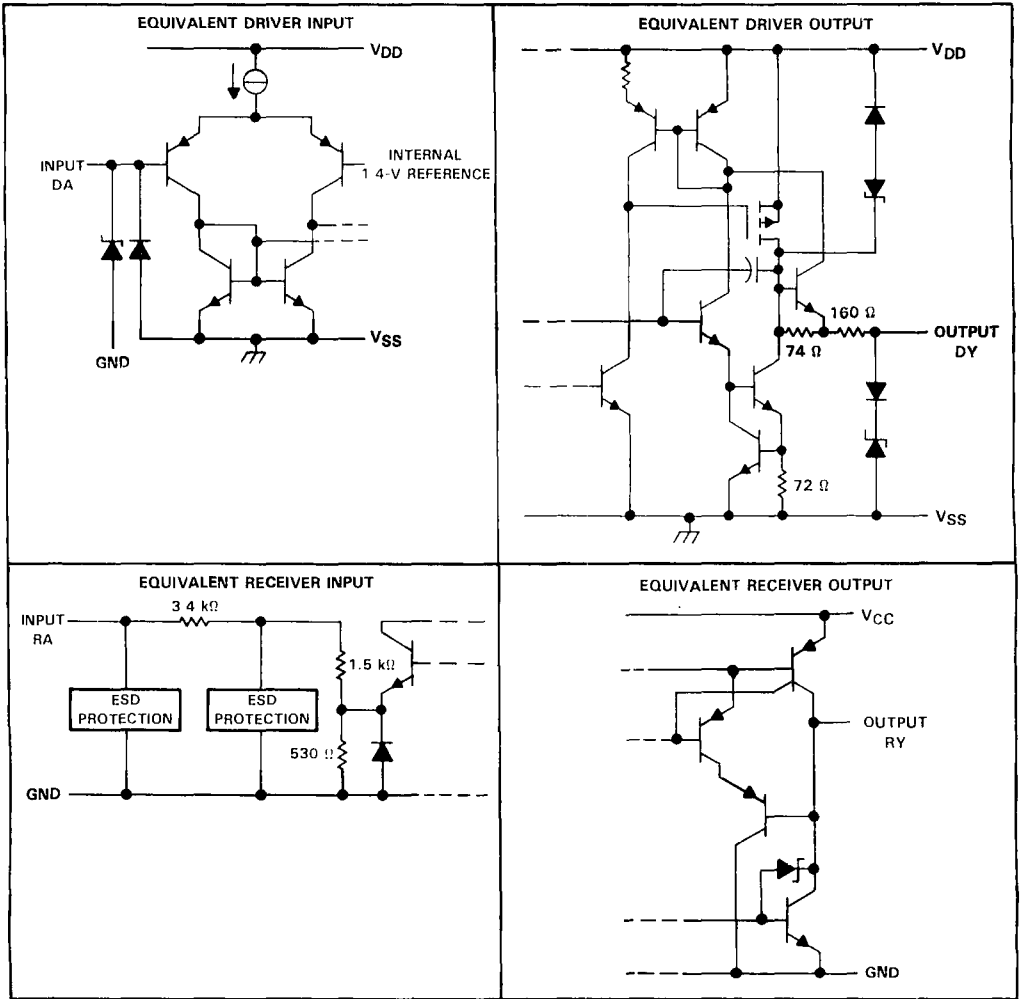


typical of each driver



SN65C1154, SN75C1154
QUADRUPLE LOW-POWER DRIVERS/RECEIVERS

schematics of inputs and outputs



All resistor values shown are nominal.

SN65C1154, SN75C1154 QUADRUPLE LOW-POWER DRIVERS/RECEIVERS

absolute maximum ratings over operating free-air temperature range (unless otherwise noted)

Supply voltage, V_{DD} (see Note 1)	15 V
Supply voltage, V_{SS}	-15 V
Supply voltage, V_{CC}	7 V
Input voltage range: Driver	V_{SS} to V_{DD}
Receiver	-30 V to 30 V
Output voltage range: Driver	($V_{SS} - 6$ V) to ($V_{DD} + 6$ V)
Receiver	-0.3 V to ($V_{CC} + 0.3$ V)
Continuous total power dissipation	See Dissipation Rating Table
Operating free-air temperature range: SN65C1154	-40°C to 85°C
SN75C1154	0°C to 70°C
Storage temperature range	-65°C to 150°C
Lead temperature 1,6 mm (1/16 inch) from case for 10 seconds	260°C

NOTE 1: All voltages are with respect to the network ground terminal.

DISSIPATION RATING TABLE

PACKAGE	$T_A \leq 25^\circ\text{C}$	DERATING FACTOR	$T_A = 85^\circ\text{C}$
	POWER RATING	ABOVE $T_A = 25^\circ\text{C}$	POWER RATING
DW	1125 mW	9.0 mW/°C	585 mW
N	1150 mW	9.2 mW/°C	598 mW

recommended operating conditions

		MIN	NOM	MAX	UNIT
Supply voltage, V_{DD}		4.5	12	15	V
Supply voltage, V_{SS}		-4.5	-12	-15	V
Supply voltage, V_{CC}		4.5	5	6	V
Input voltage, V_I	Driver	$V_{SS} + 2$		V_{DD}	V
	Receiver	± 25			
High-level input voltage, V_{IH}	Driver	2			V
Low-level input voltage, V_{IL}		0.8			
High-level output current, I_{OH}	Receiver	-1			mA
Low-level output current, I_{OL}		3.2			
Operating free-air temperature, T_A	•••	154		85	°C
	•••	54		0	

SN65C1154, SN75C1154 QUADRUPLE LOW-POWER DRIVERS/RECEIVERS

driver section

electrical characteristics over operating free-air temperature range, $V_{DD} = 12\text{ V}$, $V_{SS} = -12\text{ V}$, $V_{CC} = 5\text{ V} \pm 10\%$ (unless otherwise noted)

PARAMETER	TEST CONDITIONS	MIN	TYP [†]	MAX	UNIT
V_{OH} High-level output voltage	$V_{IL} = 0.8\text{ V}$, $R_L = 3\text{ k}\Omega$, See Figure 1	$V_{DD} = 5\text{ V}$, $V_{SS} = -5\text{ V}$	4	4.5	V
		$V_{DD} = 12\text{ V}$, $V_{SS} = -12\text{ V}$	10	10.8	
V_{OL} Low-level output voltage (See Note 2)	$V_{IH} = 2\text{ V}$, $R_L = 3\text{ k}\Omega$, See Figure 1	$V_{DD} = 5\text{ V}$, $V_{SS} = -5\text{ V}$	-4.4	-4	V
		$V_{DD} = 12\text{ V}$, $V_{SS} = -12\text{ V}$	-10.7	-10	
I_{IH} High-level input current	$V_I = 5\text{ V}$, See Figure 2			1	μA
I_{IL} Low-level input current	$V_I = 0$, See Figure 2			-1	μA
I_{OSH} High-level short circuit output current [‡]	$V_I = 0.8\text{ V}$, $V_O = 0$ or V_{SS} , See Figure 1	-7.5	-12	-19.5	mA
I_{OSL} Low-level short circuit output current [‡]	$V_I = 2\text{ V}$, $V_O = 0$ or V_{DD} , See Figure 1	7.5	12	19.5	mA
I_{DD} Supply current from V_{DD}	No load, All inputs at 2 V or 0.8 V	$V_{DD} = 5\text{ V}$, $V_{SS} = -5\text{ V}$	115		μA
		$V_{DD} = 12\text{ V}$, $V_{SS} = -12\text{ V}$	115		
I_{SS} Supply current from V_{SS}	No load, All inputs at 2 V or 0.8 V	$V_{DD} = 5\text{ V}$, $V_{SS} = -5\text{ V}$	-115		μA
		$V_{DD} = 12\text{ V}$, $V_{SS} = -12\text{ V}$	-115	-250	
r_o Output resistance	$V_{DD} = V_{SS} = V_{CC} = 0$, $V_O = -2\text{ V}$ to 2 V, See Note 3	300	400		Ω

[†]All typical values are at $T_A = 25^\circ\text{C}$.

[‡]Not more than one output should be shorted at one time.

NOTES: 2. The algebraic convention, where the more positive (less negative) limit is designated as maximum, is used in this data sheet for logic levels only.

3. Test conditions are those specified by EIA-232-D.

switching characteristics at $T_A = 25^\circ\text{C}$, $V_{DD} = 12\text{ V}$, $V_{SS} = -12\text{ V}$, $V_{CC} = 5\text{ V} \pm 10\%$

PARAMETER	TEST CONDITIONS	MIN	TYP	MAX	UNIT	
t_{PLH} Propagation delay time, low-to-high level output [§]	$R_L = 3$ to $7\text{ k}\Omega$, $C_L = 15\text{ pF}$, See Figure 3		1.2	3	μs	
t_{PHL} Propagation delay time, high-to-low level output [§]			2.5	3.5	μs	
t_{TLH} Transition time, low-to-high level output [¶]			0.53	2	3.2	μs
t_{THL} Transition time, high-to-low level output [¶]			0.53	2	3.2	μs
t_{TLH} Transition time, low-to-high level output [#]	$R_L = 3$ to $7\text{ k}\Omega$, $C_L = 2500\text{ pF}$, See Figure 3		1	2	μs	
t_{THL} Transition time, high-to-low level output [#]			1	2	μs	
SR Output slew rate	$R_L = 3$ to $7\text{ k}\Omega$, $C_L = 150\text{ pF}$, See Figure 3	4	10	30	$\text{V}/\mu\text{s}$	

[§] t_{PHL} and t_{PLH} include the additional time due to on-chip slew rate and are measured at the 50% points.

[¶]Measured between 10% and 90% points of output waveform.

[#]Measured between 3 V and -3 V points of output waveform (EIA-232-D conditions) with all unused inputs tied either high or low.

receiver section

electrical characteristics over operating free-air temperature range, $V_{DD} = 12\text{ V}$, $V_{SS} = -12\text{ V}$, $V_{CC} = 5\text{ V} \pm 10\%$ (unless otherwise noted)

PARAMETER	TEST CONDITIONS	MIN	TYP [†]	MAX	UNIT
V_{T+} Positive-going threshold voltage	See Figure 5	1.7	2.1	2.55	V
V_{T-} Negative-going threshold voltage	See Figure 5	0.65	1	1.25	V
V_{hys} Input hysteresis [‡]		600	1000		mV
V_{OH} High-level output voltage	$V_I = 0.75\text{ V}$, $I_{OH} = -20\text{ }\mu\text{A}$, See Figure 5 and Note 4 $V_I = 0.75\text{ V}$, $I_{OH} = -1\text{ mA}$, See Figure 5	$V_{CC} = 4.5\text{ V}$	3.5		V
		$V_{CC} = 5\text{ V}$	2.8	4.4	
		$V_{CC} = 5.5\text{ V}$	3.8	4.9	
			4.3	5.4	
V_{OL} Low-level output voltage	$V_I = 3\text{ V}$, $I_{OL} = 3.2\text{ mA}$, See Figure 5		0.17	0.4	V
I_{IH} High-level input current	$V_I = 25\text{ V}$	3.6	4.6	8.3	mA
	$V_I = 3\text{ V}$	0.43	0.55	1	
I_{IL} Low-level input current	$V_I = -25\text{ V}$	-3.6	-5	-8.3	
	$V_I = -3\text{ V}$	-0.43	-0.55	-1	
I_{OSH} Short-circuit output at high level	$V_I = 0.75\text{ V}$, $V_O = 0$, See Figure 4		-8	-15	mA
I_{OSL} Short-circuit output current at low level	$V_I = V_{CC}$, $V_O = V_{CC}$, See Figure 4		13	25	mA
I_{CC} Supply current from V_{CC}	No load, All inputs at 0 or 5 V	$V_{DD} = 5\text{ V}$, $V_{SS} = -5\text{ V}$	400	600	μA
		$V_{DD} = 12\text{ V}$, $V_{SS} = -12\text{ V}$	400	600	

[†]All typical values are at $T_A = 25^\circ\text{C}$.

[‡]Hysteresis is the difference between the positive-going input threshold voltage, V_{T+} , and the negative-going input threshold voltage, V_{T-} .
NOTE 4: If the inputs are left unconnected, the receiver interprets this as an input low and the receiver outputs will remain in the high state.

switching characteristics at $T_A = 25^\circ\text{C}$, $V_{DD} = 12\text{ V}$, $V_{SS} = -12\text{ V}$, $V_{CC} = 5\text{ V} \pm 10\%$ (unless otherwise noted)

PARAMETER	TEST CONDITIONS	MIN	TYP	MAX	UNIT
t_{PLH} Propagation delay time, low-to-high level output	$C_L = 50\text{ pF}$, $R_L = 5\text{ k}\Omega$, See Figure 6		3	4	μs
t_{PHL} Propagation delay time, high-to-low level output			3	4	μs
t_{TLH} Transition time, low-to-high level output [§]			300	450	ns
t_{THL} Transition time, high-to-low level output [§]				100	300
$t_{w(N)}$ Duration of longest pulse rejected as noise [¶]	$C_L = 50\text{ pF}$, $R_L = 5\text{ k}\Omega$	1		4	μs

[§]Measured between 10% and 90% points of output waveforms.

[¶]The receiver ignores any positive- or negative-going pulse that is less than the minimum value of $t_{w(N)}$ and accepts any positive- or negative-going pulse greater than the maximum of $t_{w(N)}$.

SN65C1154, SN75C1154
QUADRUPLE LOW-POWER DRIVERS/RECEIVERS

PARAMETER MEASUREMENT INFORMATION

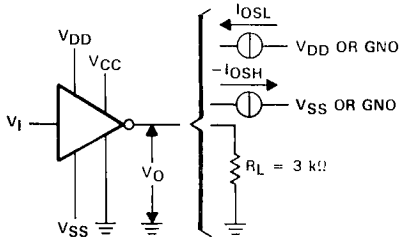


FIGURE 1. DRIVER TEST CIRCUIT, V_{OH}, V_{OL}, I_{OSL}, I_{OSH}

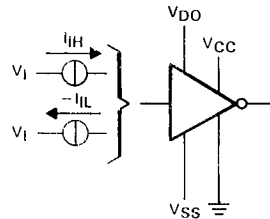
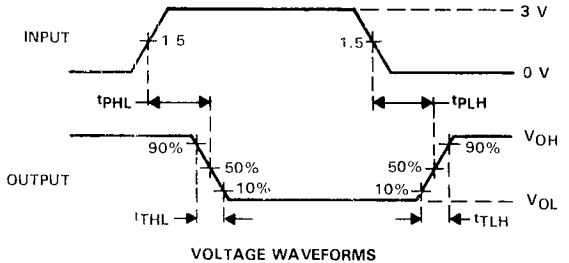
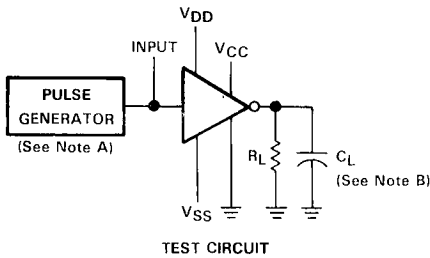


FIGURE 2. DRIVER TEST CIRCUIT, I_{IL}, I_{IH}



NOTES: A. The pulse generator has the following characteristics: $t_w = 25 \mu s$, $PRR = 20 \text{ kHz}$, $Z_o = 50 \Omega$, $t_r = t_f < 50 \text{ ns}$.
 B. C_L includes probe and jig capacitance.

FIGURE 3. DRIVER PROPAGATION AND TRANSITION TIMES

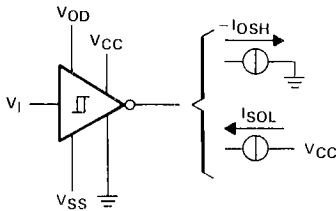


FIGURE 4. RECEIVER TEST CIRCUIT, I_{OSH}, I_{OSL}

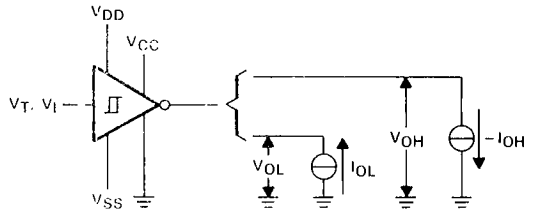
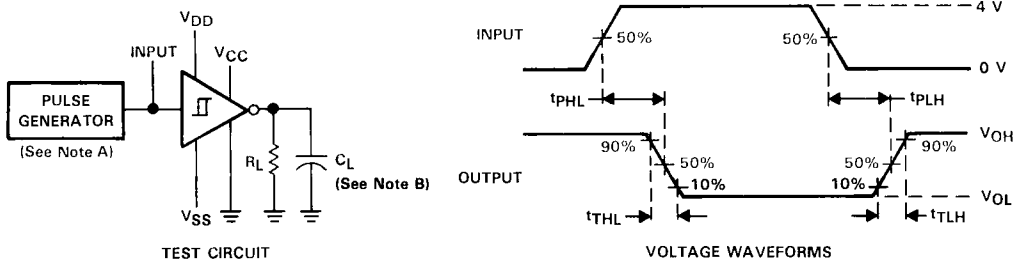


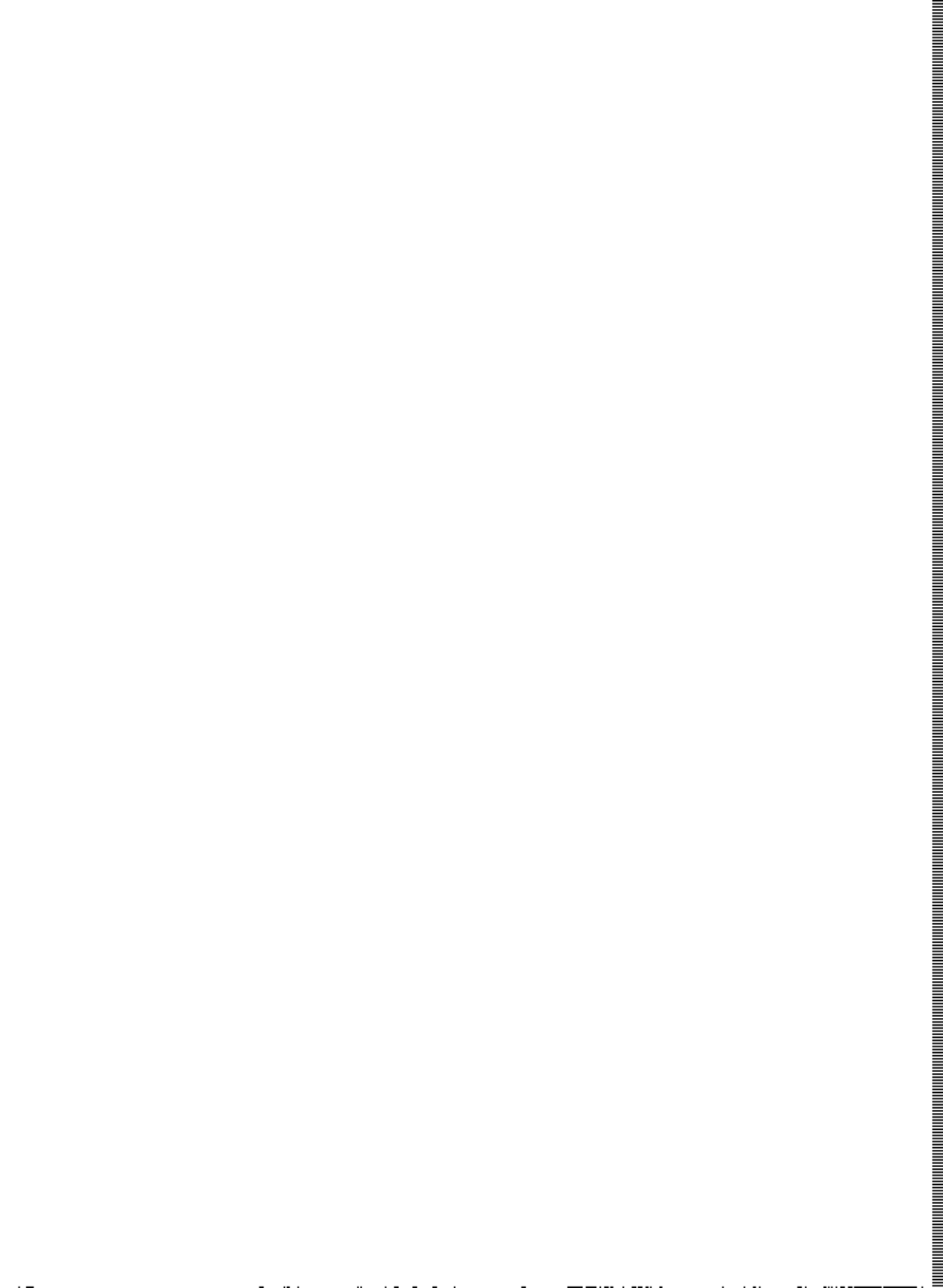
FIGURE 5. RECEIVER TEST CIRCUIT, V_T, V_{OL}, V_{OH}

PARAMETER MEASUREMENT INFORMATION



NOTES: A. The pulse generator has the following characteristics: $t_w = 25 \mu\text{s}$, $\text{PRR} = 20 \text{ kHz}$, $Z_o = 50 \Omega$, $t_r = t_f < 50 \text{ ns}$.
 B. C_L includes probe and jig capacitance.

FIGURE 6. RECEIVER PROPAGATION AND TRANSITION TIMES



SN65C1406, SN75C1406 TRIPLE LOW-POWER DRIVERS/RECEIVERS

D3425, MAY 1990

- Meets Standard EIA-232-D (Revision of RS-232-C)
- Very Low Power Consumption . . . 5 mW Typ
- Wide Driver Supply Voltage . . . ± 4.5 V to ± 15 V
- Driver Output Slew Rate Limited to 30 V/ μ s Max
- Receiver Input Hysteresis . . . 1000 mV Typ
- Push-Pull Receiver Outputs
- On-Chip Receiver 1- μ s Noise Filter
- Functionally Interchangeable with Motorola MC145406
- ESD Protection Exceeds 2000 V Per MIL-Std-883C Method 3015

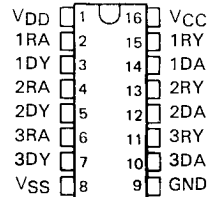
description

The SN65C1406 and SN75C1406 are low-power BI-MOS devices containing three independent drivers and receivers that are used to interface data terminal equipment (DTE) with data circuit-terminating equipment (DCE). This device is designed to conform to Standards ANSI/EIA-232-D-1986 (which supersedes RS-232-C). The drivers and receivers of the SN65C1406 and SN75C1406 are similar to those of the SN75C188 quadruple driver and SN75C189A quadruple receiver, respectively. The drivers have a controlled output slew rate that is limited to a maximum of 30 V/ μ s and the receivers have filters that reject input noise pulses of shorter than 1 μ s. Both these features eliminate the need for external components.

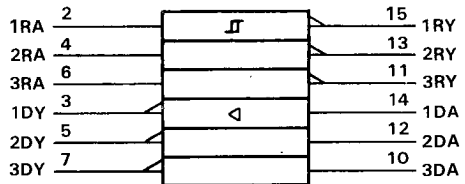
The SN65C1406 and SN75C1406 have been designed using low-power techniques in a BI-MOS technology. In most applications, the receivers contained in these devices interface to single inputs of peripheral devices such as ACEs, UARTs, or microprocessors. By using sampling, such peripheral devices are usually insensitive to the transition times of the input signals. If this is not the case, or for other uses, it is recommended that the SN65C1406 and SN75C1406 receiver outputs be buffered by single Schmitt input gates or single gates of the HCMOS, ALS, or 74F logic families.

The SN65C1406 is characterized for operation from -40°C to 85°C . The SN75C1406 is characterized for operation from 0°C to 70°C .

D OR N PACKAGE (TOP VIEW)



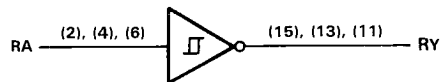
logic symbol†



†This symbol is in accordance with ANSI/IEEE Std 91-1984 and IEC Publication 617-12.

logic diagram (positive logic)

typical of each receiver

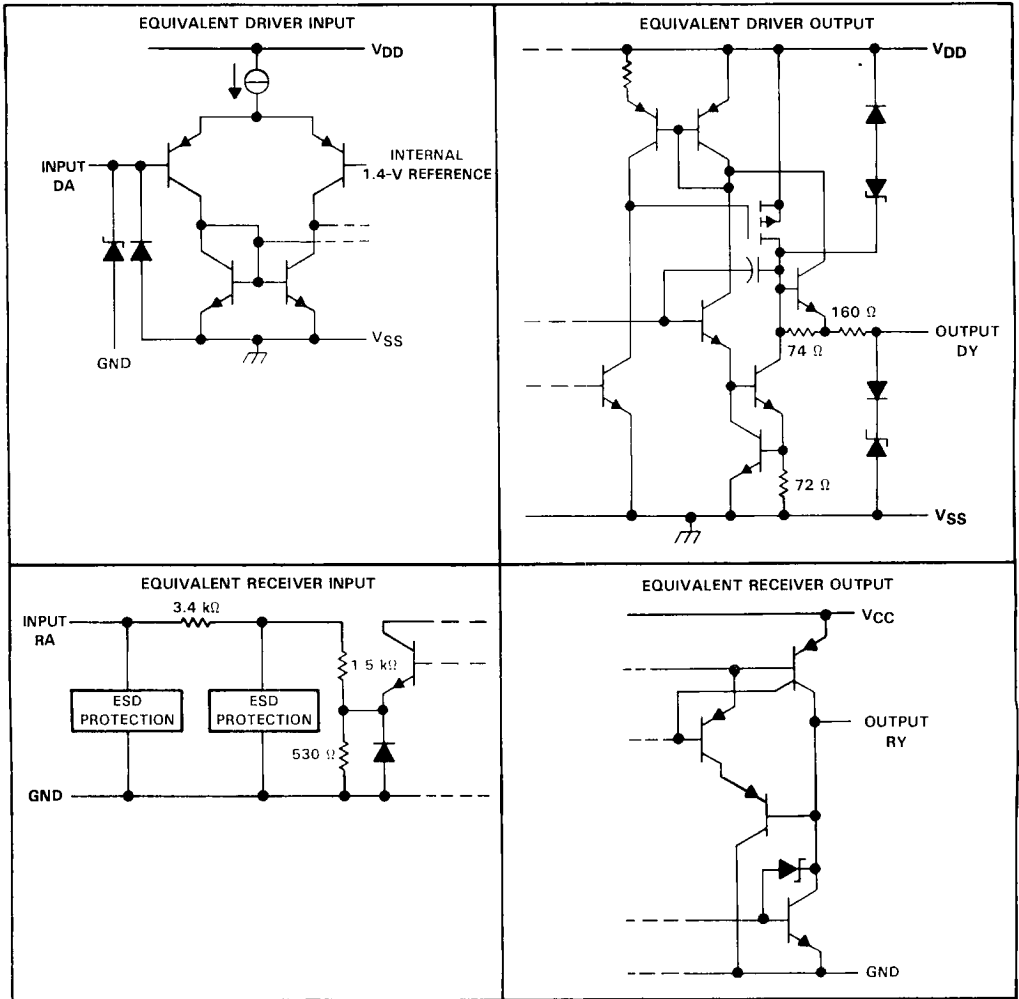


typical of each driver



SN65C1406, SN75C1406
TRIPLE LOW-POWER DRIVERS/RECEIVERS

schematics of inputs and outputs



All resistor values shown are nominal

SN65C1406, SN75C1406 TRIPLE LOW-POWER DRIVERS/RECEIVERS

absolute maximum ratings over operating free-air temperature range (unless otherwise noted)

Supply voltage, V_{DD} (see Note 1)	15 V
Supply voltage, V_{SS}	-15 V
Supply voltage, V_{CC}	7 V
Input voltage range: Driver	V_{SS} to V_{DD}
Receiver	-30 V to 30 V
Output voltage range: Driver	($V_{SS} - 6$ V) to ($V_{DD} + 6$ V)
Receiver	-0.3 V to ($V_{CC} + 0.3$ V)
Continuous total power dissipation	See Dissipation Rating Table
Operating free-air temperature range: SN65C1406	-40°C to 85°C
SN75C1406	0°C to 70°C
Storage temperature range	-65°C to 150°C
Lead temperature 1,6 mm (1/16 inch) from case for 10 seconds	260°C

NOTE 1: All voltages are with respect to the network ground terminal.

DISSIPATION RATING TABLE

PACKAGE	$T_A \leq 25^\circ\text{C}$	DERATING FACTOR	
	POWER RATING	ABOVE $T_A = 25^\circ\text{C}$	
		$T_A = 85^\circ\text{C}$	
		POWER RATING	
D	950 mW	7.6 mW/°C	
N	1150 mW	9.2 mW/°C	

recommended operating conditions

		MIN	NOM	MAX	UNIT
Supply voltage, V_{DD}		4.5	12	15	V
Supply voltage, V_{SS}		-4.5	-12	-15	V
Supply voltage, V_{CC}		4.5	5	6	V
Input voltage, V_I	Driver	$V_{SS} + 2$		V_{DD}	V
	Receiver			± 25	
High-level input voltage, V_{IH}	Driver	2			V
Low-level input voltage, V_{IL}				0.8	
High-level output current, I_{OH}	Receiver			-1	mA
Low-level output current, I_{OL}				3.2	
Operating free-air temperature, T_A	SN65C1	-40		85	°C
	SN75C1	0		70	

SN65C1406, SN75C1406

TRIPLE LOW-POWER DRIVERS/RECEIVERS

driver section

electrical characteristics over operating free-air temperature range, $V_{DD} = 12\text{ V}$, $V_{SS} = -12\text{ V}$, $V_{CC} = 5\text{ V} \pm 10\%$ (unless otherwise noted)

PARAMETER	TEST CONDITIONS	MIN	TYP [†]	MAX	UNIT
V_{OH} High-level output voltage	$V_{IL} = 0.8\text{ V}$, $R_L = 3\text{ k}\Omega$, See Figure 1	$V_{DD} = 5\text{ V}$, $V_{SS} = -5\text{ V}$	4	4.5	V
		$V_{DD} = 12\text{ V}$, $V_{SS} = -12\text{ V}$	10	10.8	
V_{OL} Low-level output voltage (See Note 2)	$V_{IH} = 2\text{ V}$, $R_L = 3\text{ k}\Omega$, See Figure 1	$V_{DD} = 5\text{ V}$, $V_{SS} = -5\text{ V}$	-4.4	-4	V
		$V_{DD} = 12\text{ V}$, $V_{SS} = -12\text{ V}$	-10.7	-10	
I_{IH} High-level input current	$V_I = 5\text{ V}$, See Figure 2			1	μA
I_{IL} Low-level input current	$V_I = 0$, See Figure 2			-1	μA
I_{OSH} High-level short circuit output current [‡]	$V_I = 0.8\text{ V}$, $V_D = 0$ or V_{SS} , See Figure 1	-7.5	-12	-19.5	mA
I_{OSL} Low-level short circuit output current [‡]	$V_I = 2\text{ V}$, $V_O = 0$ or V_{DD} , See Figure 1	7.5	12	19.5	mA
I_{DD} Supply current from V_{DD}	No load, All inputs at 2 V or 0.8 V	$V_{DD} = 5\text{ V}$, $V_{SS} = -5\text{ V}$	115	.	μA
		$V_{DD} = 12\text{ V}$, $V_{SS} = -12\text{ V}$	115	.	
I_{SS} Supply current from V_{SS}	No load, All inputs at 2 V or 0.8 V	$V_{DD} = 5\text{ V}$, $V_{SS} = -5\text{ V}$	-115	-250	μA
		$V_{DD} = 12\text{ V}$, $V_{SS} = -12\text{ V}$	-115	-250	
r_o Output resistance	$V_{DD} = V_{SS} = V_{CC} = 0$, $V_O = -2\text{ V}$ to 2 V , See Note 3	300	400		Ω

[†]All typical values are at $T_A = 25^\circ\text{C}$.

[‡]Not more than one output should be shorted at one time.

NOTES: 2. The algebraic convention, where the more positive (less negative) limit is designated as maximum, is used in this data sheet for logic levels only.

3. Test conditions are those specified by EIA-232-D.

switching characteristics at $T_A = 25^\circ\text{C}$, $V_{DD} = 12\text{ V}$, $V_{SS} = -12\text{ V}$, $V_{CC} = 5\text{ V} \pm 10\%$

PARAMETER	TEST CONDITIONS	MIN	TYP	MAX	UNIT	
t_{PLH} Propagation delay time, low-to-high level output [§]	$R_L = 3$ to $7\text{ k}\Omega$, $C_L = 15\text{ pF}$, See Figure 3		1.2	3	μs	
t_{PHL} Propagation delay time, high-to-low level output [§]			2.5	3.5	μs	
t_{TLH} Transition time, low-to-high level output [¶]			0.53	2	3.2	μs
t_{THL} Transition time, high-to-low level output [¶]	$R_L = 3$ to $7\text{ k}\Omega$, $C_L = 2500\text{ pF}$, See Figure 3		0.53	2	3.2	μs
t_{TLH} Transition time, low-to-high level output [#]				1	2	μs
t_{THL} Transition time, high-to-low level output [#]				1	2	μs
SR Output slew rate	$R_L = 3$ to $7\text{ k}\Omega$, $C_L = 150\text{ pF}$, See Figure 3	4	10	30	$\text{V}/\mu\text{s}$	

[§] t_{PHL} and t_{PLH} include the additional time due to on-chip slew rate and are measured at the 50% points.

[¶]Measured between 10% and 90% points of output waveform.

[#]Measured between 3 V and -3 V points of output waveform (EIA-232-D conditions) with all unused inputs tied either high or low.

receiver section

electrical characteristics over operating free-air temperature range, $V_{DD} = 12\text{ V}$, $V_{SS} = -12\text{ V}$, $V_{CC} = 5\text{ V} \pm 10\%$ (unless otherwise noted)

PARAMETER		TEST CONDITIONS	MIN	TYP [†]	MAX	UNIT
V_{T+}	Positive-going threshold voltage	See Figure 5	1.7	2.1	2.55	V
V_{T-}	Negative-going threshold voltage	See Figure 5	0.65	1	1.25	V
V_{hys}	Input hysteresis [‡]		600	1000		mV
V_{OH}	High-level output voltage	$V_I = 0.75\text{ V}$, $I_{OH} = -20\text{ }\mu\text{A}$, See Figure 5 and Note 4	3.5			V
		$V_I = 0.75\text{ V}$, $I_{OH} = -1\text{ mA}$, See Figure 5	$V_{CC} = 4.5\text{ V}$	2.8	4.4	
			$V_{CC} = 5\text{ V}$	3.8	4.9	
			$V_{CC} = 5.5\text{ V}$	4.3	5.4	
V_{OL}	Low-level output voltage	$V_I = 3\text{ V}$, $I_{OL} = 3.2\text{ mA}$, See Figure 5		0.17	0.4	V
I_{IH}	High-level input current	$V_I = 25\text{ V}$	3.6	4.6	8.3	mA
		$V_I = 3\text{ V}$	0.43	0.55	1	
I_{IL}	Low-level input current	$V_I = -25\text{ V}$	-3.6	-5	-8.3	mA
		$V_I = -3\text{ V}$	-0.43	-0.55	-1	
I_{OSH}	Short-circuit output at high level	$V_I = 0.75\text{ V}$, $V_O = 0$, See Figure 4		-8	-15	mA
I_{OSL}	Short-circuit output current at low level	$V_I = V_{CC}$, $V_O = V_{CC}$, See Figure 4		13	25	mA
I_{CC}	Supply current from V_{CC}	No load, All inputs at 0 or 5 V	$V_{DD} = 5\text{ V}$, $V_{SS} = -5\text{ V}$		450	μA
			$V_{DD} = 12\text{ V}$, $V_{SS} = -12\text{ V}$		450	

[†]All typical values are at $T_A = 25^\circ\text{C}$.

[‡]Hysteresis is the difference between the positive-going input threshold voltage, V_{T+} , and the negative-going input threshold voltage, V_{T-} .

NOTE 4: If the inputs are left unconnected, the receiver interprets this as an input low and the receiver outputs will remain in the high state.

switching characteristics at $T_A = 25^\circ\text{C}$, $V_{DD} = 12\text{ V}$, $V_{SS} = -12\text{ V}$, $V_{CC} = 5\text{ V} \pm 10\%$ (unless otherwise noted)

PARAMETER		TEST CONDITIONS	MIN	TYP	MAX	UNIT
t_{PLH}	Propagation delay time, low-to-high level output	$C_L = 50\text{ pF}$, $R_L = 5\text{ k}\Omega$, See Figure 6		3	4	μs
t_{PHL}	Propagation delay time, high-to-low level output			3	4	μs
t_{TLH}	Transition time, low-to-high level output [§]			300	450	ns
t_{THL}	Transition time, high-to-low level output [§]			100	300	ns
$t_{w(N)}$	Duration of longest pulse rejected as noise [¶]	$C_L = 50\text{ pF}$, $R_L = 5\text{ k}\Omega$	1		4	μs

[§]Measured between 10% and 90% points of output waveforms.

[¶]The receiver ignores any positive- or negative-going pulse that is less than the minimum value of $t_{w(N)}$ and accepts any positive- or negative-going pulse greater than the maximum of $t_{w(N)}$.

PARAMETER MEASUREMENT INFORMATION

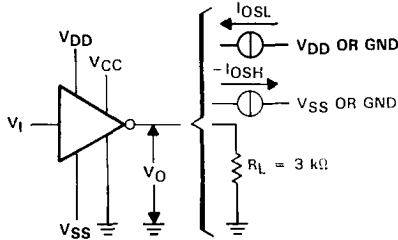


FIGURE 1. DRIVER TEST CIRCUIT, V_{OH}, V_{OL}, I_{OSL}, I_{OSH}

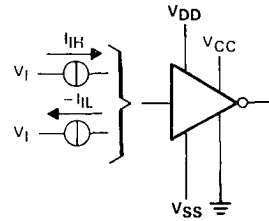
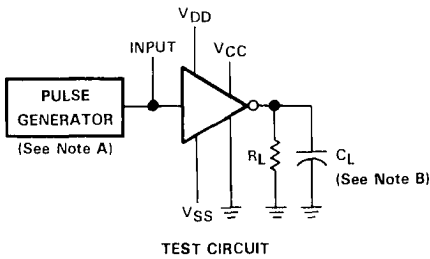
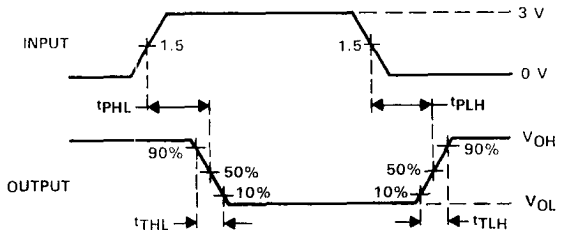


FIGURE 2. DRIVER TEST CIRCUIT, I_{IL}, I_{IH}



TEST CIRCUIT



VOLTAGE WAVEFORMS

NOTES: A. The pulse generator has the following characteristics: $t_w = 25 \mu s$, $PRR = 20 \text{ kHz}$, $Z_o = 50 \Omega$, $t_r = t_f < 50 \text{ ns}$.
 B. C_L includes probe and jig capacitance.

FIGURE 3. DRIVER PROPAGATION AND TRANSITION TIMES

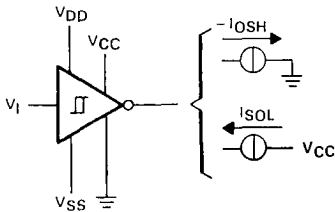


FIGURE 4. RECEIVER TEST CIRCUIT, I_{OSH}, I_{OSL}

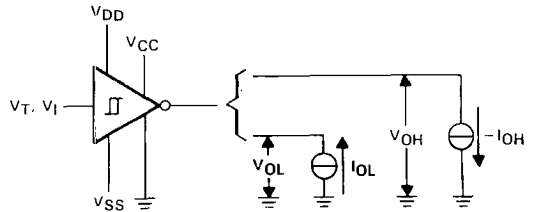
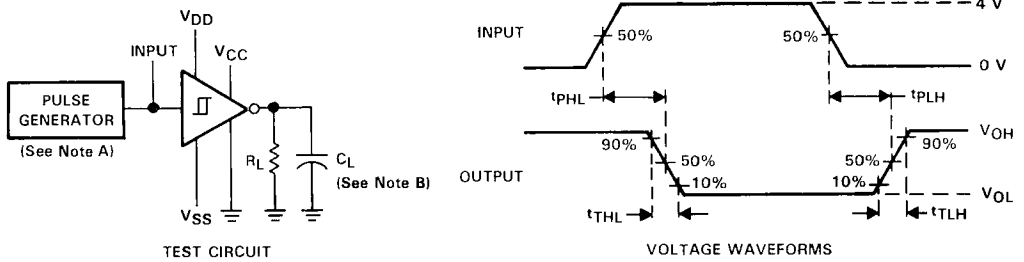


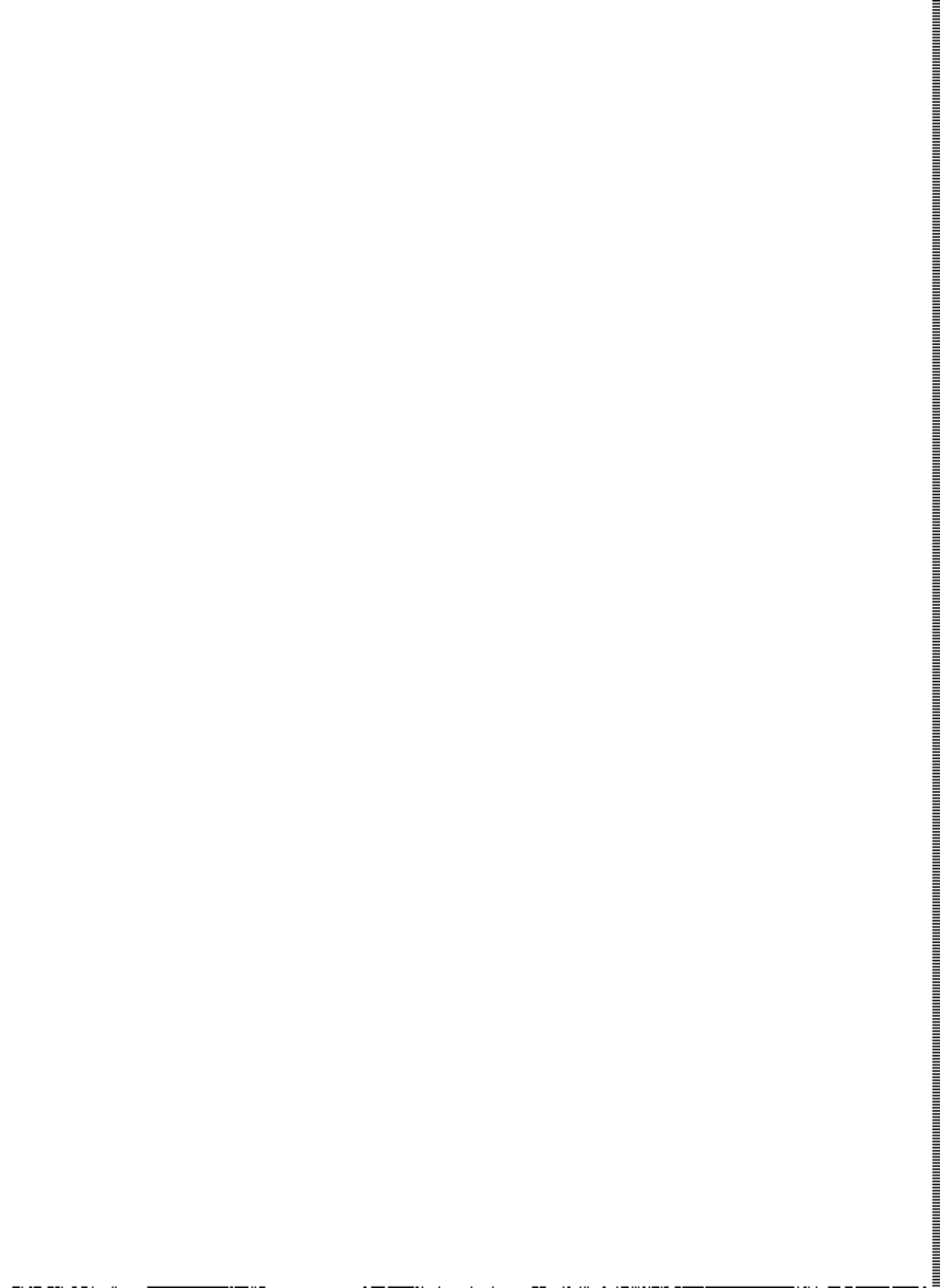
FIGURE 5. RECEIVER TEST CIRCUIT, V_T, V_{OL}, V_{OH}

PARAMETER MEASUREMENT INFORMATION



NOTES: A. The pulse generator has the following characteristics: $t_w = 25 \mu s$, $PRR = 20 \text{ kHz}$, $Z_o = 50 \Omega$, $t_r = t_f < 50 \text{ ns}$.
B. C_L includes probe and jig capacitance.

FIGURE 6. RECEIVER PROPAGATION AND TRANSITION TIMES

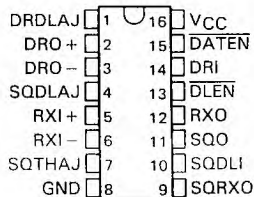


SN75061 DRIVER/RECEIVER PAIR WITH SQUELCH

D2959, JANUARY 1987 - REVISED JULY 1990

- IEEE 802.3 1BASE5 Driver and Receiver
- On-Chip Receiver Squelch with Adjustable Threshold
- Adjustable Squelch Delay
- Direct TTL-Level Squelch Output
- Squelch Circuit Allows for External Noise Filtering
- Two Driver-Enable Options
- On-Chip Start-of-Idle Detection and Disable
- Driver Provides 2 V Minimum into a 50-Ω Differential Load to Allow for Use with Doubly-Terminated Lines and Multipoint Architectures
- On-Chip Driver Slew-Rate Control for Very Closely Matched Output Rise and Fall Times

N PACKAGE
(TOP VIEW)



NAME	PIN NUMBER	DESCRIPTION
\overline{D}	15	Driver Data Enable. When low, places driver outputs in an active state. When high, the driver outputs are in a high-impedance state if \overline{DLEN} is also high.
\overline{DLEN}	13	Driver Delay Enable. When this signal is low and \overline{DATEN} is high, the driver outputs are active for a period of time set by DRDLAJ after a positive-going transition on DRI. If there is no active data on DRI, the outputs are in a high-impedance state.
DRDLAJ	1	Driver Delay Adjust is a connection for the external R-C combination that determines the duration of the driver output active state after a positive transition on DRI when \overline{DLEN} is low and \overline{DATEN} is high.
	14	Driver Data Input
	2	Noninverting Driver Output
DRO -	3	Inverting Driver Output
GND	8	Ground. Common for all voltages
RXI +	5	Noninverting Receiver Input
RXI -	6	Inverting Receiver Input
RXO	12	Main Receiver Output
SQDLAJ	4	Squelch Delay Adjust is a connection for an external R-C combination that determines the duration of the receiver unsquelch after a negative-going transition on SQDLI.
SQDLI	10	Squelch Delay Input is the input to the one-shot that controls the duration of the receiver unsquelch period. The main receiver output remains unsquelched as long as SQDLI is held high. Timing of the unsquelch period begins on the high-to-low transition of SQDLI.
SQO	11	Squelch Output is high while the receiver is squelched.
SQRXO	9	Squelch Receiver Output is high only when the differential receiver input exceeds the threshold set by SQTHAJ.
SQTHAJ	7	Squelch Receiver Threshold Adjust. The voltage at this input determines the threshold of the squelch receiver in a ratio of -2, SQTHAJ to threshold. If left open, the squelch receiver threshold defaults to -600 mV.
VCC	16	Supply voltage input

PRODUCTION DATA documents contain information current as of publication date. Products conform to specifications per the terms of Texas Instruments standard warranty. Production processing does not necessarily include testing of all parameters.



POST OFFICE BOX 655303 • DALLAS, TEXAS 75265

Copyright © 1990, Texas Instruments Incorporated

SN75061 DRIVER/RECEIVER PAIR WITH SQUELCH

FUNCTION TABLES

DRIVER				
INPUTS			OUTPUTS	
DRI	DATEN	DLEN	DRO+	DRO-
L	L	X	L	H
H	L	X	H	L
X	H	H	Z	Z
H	H	L	H [†]	L [†]
L	H	L	L [‡]	H [‡]

CONDITION	INPUTS		OUTPUTS	
	RXI+	RXI-	RXO	SQO
No active signal [†]	X	X	H	H
Active signal [†]	L	H	L	L
	H	L	H	L

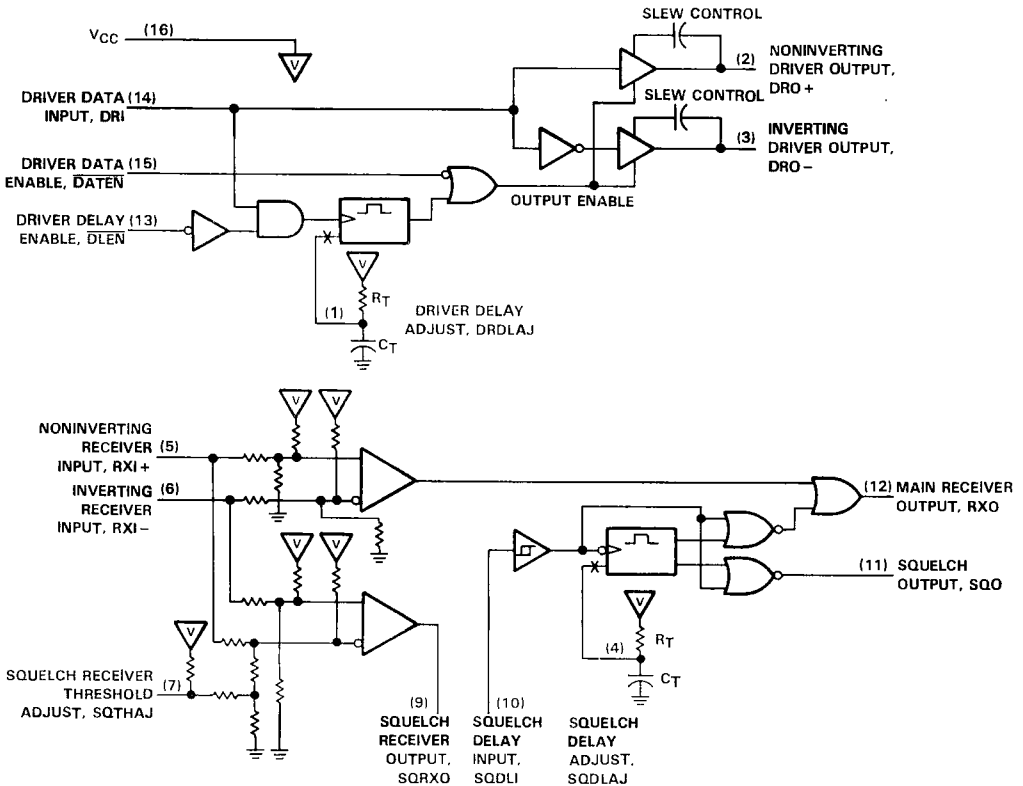
[†]This condition is valid during the time period set by Driver Delay Adjust following a rising transition on Driver In. Following this, if no subsequent positive transition occurs on Driver In, the outputs will go to the high impedance state.

[‡]This condition is valid if it occurs within the enable time set by Driver Delay Adjust after a rising transition on Driver In. Otherwise the outputs will be in the high-impedance state.

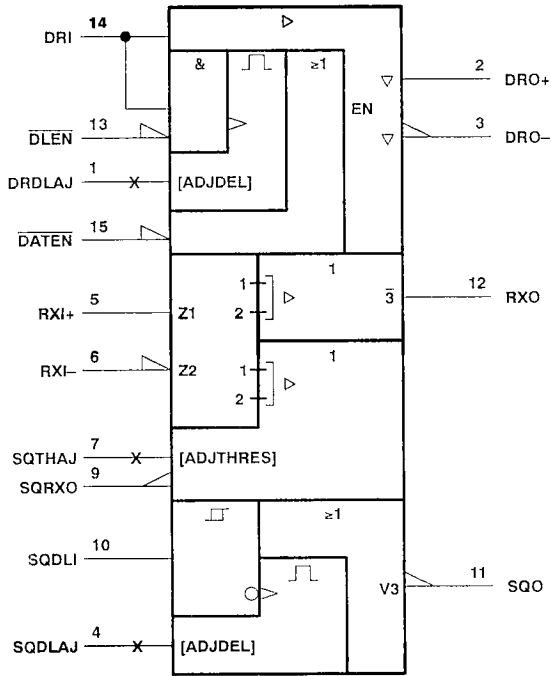
[§]Pins 9 and 10 are tied together.

[¶]An active signal is one that has an amplitude greater than the threshold level set by Squelch Threshold Adjust.

logic diagram (positive logic)



logic symbol†



†This symbol is in accordance with ANSI/IEEE Std 91-1984 and IEC Publication 617-12.

description

The SN75061 is a single-channel driver/receiver pair designed for use in IEEE 802.3, 1BASE5 applications as well as other general data communications circuits. The SN75061 offers the system designer both a driver and a receiver that are easily configured for use with a variety of controllers and data encoder/decoders.

The receiver features a full analog squelch circuit with an adjustable threshold and a programmable squelch delay. Internal nodes of the squelch circuitry are brought out to external connections to allow for the insertion of noise filtering circuitry of the designer's choice.

As with the receiver, the driver offers the user a variety of implementation options. Driver enabling may be controlled directly by an external logic input, or by use of an on-chip one-shot that is retriggered as long as data is being sent to the driver. The driver will then automatically go to the high-impedance state when end-of-packet occurs. The driver features internal slew-rate control for optimal matching of rise and fall times allowing for reduction of driver-induced jitter.

receiver

The SN75061 receiver implements full analog squelch functions by integrating both a separate, parallel squelch receiver with an externally programmable threshold, and a programmable one-shot. The output of the squelch receiver and the input to the high-level dc-triggered one-shot are brought out to external connections. These pins can be shorted for direct implementation, or used for the insertion of noise-filtering

SN75061 DRIVER/RECEIVER PAIR WITH SQUELCH

circuitry of the implementer's design. The receiver one-shot can be effectively bypassed by applying a high logic level to Squelch Delay In. The squelch threshold may be set externally by applying an external voltage set to a level that is -2 times the desired threshold voltage. If Squelch Threshold Adjust is left open, the squelch receiver will default to its internal preset value of -600 mV. The receiver also outputs a high logic "squelch" signal when there is no active data present at the receiver inputs. When no data is present on the transmission line, the receiver output assumes a high level. The "unsquelch" duration is set externally with an R-C combination at Squelch Delay Adjust.

driver

The driver offers the user a variety of implementation options. Driver enabling may be controlled directly by an active-low external logic input on Data Enable, or by use of another on-chip one-shot that retriggers with positive-going transitions on the driver input line. If no positive transition occurs within the pulse duration set by an external R-C combination, the one-shot times out and the driver is automatically put into a high-impedance state. When operating in the delay-enable mode, the 2-bit-time high-level start-of-idle pulse prescribed by IEEE 802.3 1BASE5 causes the one-shot to time out and automatically place the driver outputs in the high-impedance state. This delay time is also adjustable for use in other applications.

The driver implements an output slew-rate control that is internally set for nominally 40 mV/ns. (This is roughly a 100-ns peak-to-peak differential transition time.) The driver outputs are capable of driving a 50- Ω differential load with a minimum output level of 2 V. Short-circuit output current is greater than 100 mA.

absolute maximum ratings over operating free-air temperature range (unless otherwise noted)

Supply voltage, V_{CC}	7 V
Input voltage (any logic input)	7 V
Receiver differential input voltage	± 25 V
Receiver input voltage	± 15 V
Driver output voltage	-0.5 V to 15 V
Continuous total dissipation at (or below) 25°C free-air temperature (see Note 1)	1150 mW
Operating free-air temperature range	0°C to 70°C
Storage temperature range	-65°C to 150°C
Lead temperature 1,6 mm (1/16 inch) from case for 10 seconds	260°C

NOTE 1: For operation above 25°C free-air temperature, derate to 736 mW at 70°C at the rate of 9.2 mW/°C.

recommended operating conditions

	MIN	NOM	MAX	UNIT
Supply voltage, V_{CC}	4.75	5	5.25	V
Driver high-level input voltage, V_{IH}	2			V
Driver low-level input voltage, V_{IL}			0.8	V
Driver high-level output current, I_{OH}			-150	mA
Driver low-level output current, I_{OL}			150	mA
Receiver common-mode input voltage, V_{IC} (see Note 2)	-2.5		5	V
External timing resistance, R_{ext}		5	260	k Ω
External timing capacitance, C_{ext}		No restriction		
Operating free-air temperature, T_A	0		70	°C

NOTE 2: The algebraic convention, in which the less positive (more negative) limit is designated as minimum, is used in this data sheet for common-mode input voltage V_{IC} and threshold levels V_{TH} and V_{TL} .



electrical characteristics over recommended operating free-air and supply voltage range (unless otherwise noted)

driver

PARAMETER	TEST CONDITIONS	MIN	TYP†	MAX	UNIT
V _{IK} Input clamp voltage	I _I = -18 mA			-1.5	V
V _{OD} Differential-output voltage	R _L = 50 Ω	2	2.4	3.3	V
	R _L = 115 Ω			3.65	
ΔV _{OD} Change in differential-output voltage for a change in logic input state				50	mV
I _{IH} High-level input current	V _I = 2.4 V			20	μA
I _{IL} Low-level input current	V _I = 0.5 V			-35	μA
I _{OS} Short-circuit output current	V _O = 0 or 6 V, V _I = 0.8 V or 2.5 V	±100		±300	mA
I _{OZ} High-impedance output current	V _{CC} = 5.25 V			100	μA
		V _{OC} = 10 V			
				-100	

receiver

PARAMETER	TEST CONDITIONS	MIN	TYP†	MAX	UNIT	
V _{IK} Input clamp voltage, squelch delay	I _I = -18 mA			-1.5	V	
V _{TH} Differential-input high-threshold voltage	V _O = 2.7 V, I _O = -0.4 mA			50	mV	
V _{TL} Differential-input low-threshold voltage (see Note 2)	V _O = 0.5 V, I _O = 16 mA	-50			mV	
V _{hys} Hysteresis (V _{TH} - V _{TL})			50		mV	
V _{IC} Common-mode input voltage				5	V	
V _{OH} High-level output voltage	RX0	V _{CC} = 4.75 V, SQDLAJ at 0.8 V, I _{OH} = -400 μA,			V	
	SQ0		2.7	3.5		
	SQRX0		2.7	4.65		
V _{OL} Low-level output voltage	RX0	V _{CC} = 4.75 V, SQDLAJ at 2 V, I _{OL} = 8 mA, I _{OL} = 16 mA, I _{OL} = 8 mA, I _{OL} = 8 mA, I _{OL} = 16 mA			V	
	SQ0		0.45	0.5		
			0.35	0.5		
	SQRX0		0.45	0.5		
I _{IH} High-level input current	SQDLI	V _I = 2.4 V			20 μA	
I _{IL} Low-level input current		V _I = 0.5 V			-35 μA	
I _{OS} Short-circuit output current	R _{X0} . . . 0	V _{CC} = 5.25 V, V _O = 0		-15	-85	mA
		V _{CC} = 5 V, V _O = 0		-15	-100	
r _i Input resistance				10	kΩ	
V _{TL(sq)} Squelch preset threshold voltage	V _{CC} = 5 V, SQTHAJ OPEN,	V _{IC} = 1.5 V to 3.5 V	-525	-600	-675	mV
		V _{IC} = -2.5 V to 1.5 V or 3.5 V to 5 V	-500		-700	mV
Ratio of Squelch Threshold Adjust input voltage to actual squelch threshold voltage	SQTHAJ at 200 mV to 4 V		-1.9	-2.1		

driver and receiver

I _{CC} Supply current	V _{CC} = 5.25 V, Driver outputs disabled, No loads			70	mA
--------------------------------	---	--	--	----	----

† All typical values are at V_{CC} = 5 V, T_A = 25°C.

NOTE 2: The algebraic convention, in which the less-positive (more negative) limit is designated as minimum, is used in this data sheet for common-mode input voltage V_{IC} and threshold levels V_{TH} and V_{TL}.

SN75061 DRIVER/RECEIVER PAIR WITH SQUELCH

switching characteristics, $V_{CC} = 5\text{ V}$, $T_A = 25^\circ\text{C}$

driver

PARAMETER		TEST CONDITIONS	MIN	TYP	MAX	UNIT
SR	Differential-output slew rate	$V_O = -2\text{ V to } 2\text{ V}$, $R_L = 100\ \Omega$ (differential), See Figure 1	28	40	52	mV/ns
t_{DD}	Differential-output delay time (t_{DD+} and t_{DD-})	$C_1 = 15\text{ pF}$, $R_L = 100\ \Omega$ (differential), See Figure 2			160	ns
$t_{DD+} - t_{DD-}$	Differential-output delay time difference	$R_L = 100\ \Omega$ (differential), See Figure 2			5	ns
t_{PHZ}	Disable time from $\overline{\text{DATEN}}$	See Figures 3, 4, and 5				ns
t_{PLZ}						ns
t_{PZH}	Enable time from $\overline{\text{DATEN}}$					ns
t_{PZL}						290
t_{PZH}	Enable time from $\overline{\text{DLEN}}$					250
$t_{w(\text{en})}$	Enable duration time (with $\overline{\text{DLEN}}$ low)	$C_{\text{ext}} = 100\text{ pF}$, $R_{\text{ext}} = 62\text{ k}\Omega$, See Figure 6	2	2.5	3	μs

receiver

PARAMETER		TEST CONDITIONS	MIN	TYP	MAX	UNIT
$t_{\text{en}(\text{RX})}$	Receiver enable time	Squelch off, See Figure 7		117		ns
t_{PLH}	Propagation delay time, low-to-high-level output	Squelch off, See Figure 8		20	35	ns
t_{PHL}	Propagation delay time, high-to-low-level output	Squelch off, See Figure 8		22	35	ns
t_{unsq}	Unsquench duration time	$C_{\text{ext}} = 50\text{ pF}$, $R_{\text{ext}} = 51\text{ k}\Omega$, See Figure 9	1	1.2	1.45	μs
		$C_{\text{ext}} = 15\text{ pF}$, $R_{\text{ext}} = 6.8\text{ k}\Omega$, See Figure 9				180

PARAMETER MEASUREMENT INFORMATION

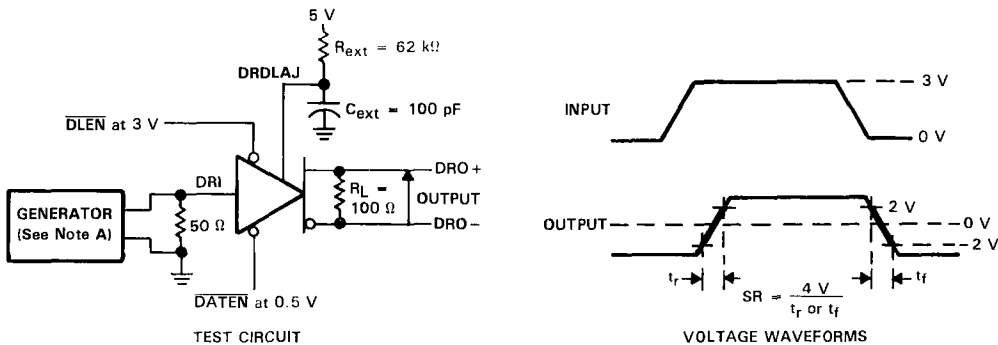


FIGURE 1. DRIVER SLEW RATE MEASUREMENTS

NOTE A: The input pulse is supplied by a generator having the following characteristics: $\text{PRR} \leq 1\text{ MHz}$, $\text{Duty Cycle} \leq 50\%$, $t_r \leq 6\text{ ns}$, $t_f \leq 6\text{ ns}$, $Z_{\text{out}} = 50\ \Omega$.

PARAMETER MEASUREMENT INFORMATION

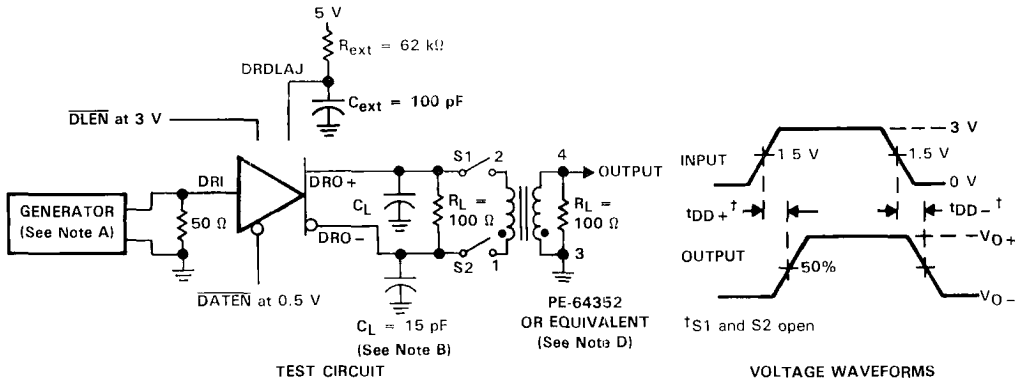


FIGURE 2. DRIVER DIFFERENTIAL DELAY TIMES

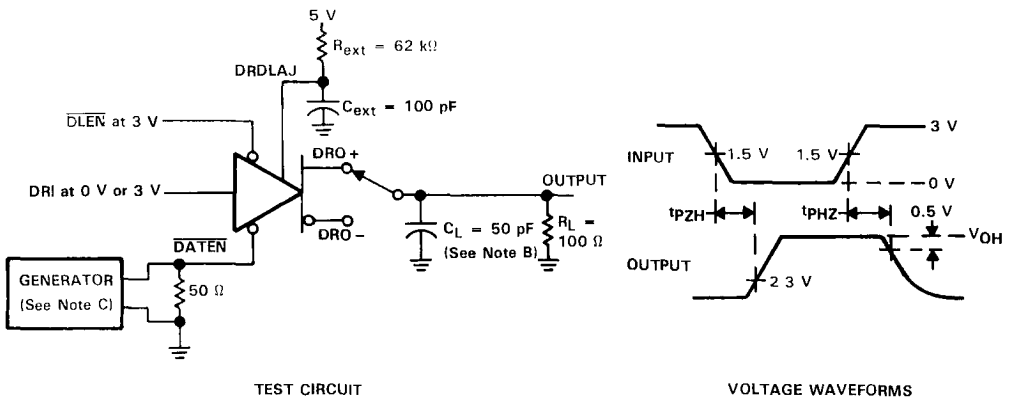


FIGURE 3. DRIVER ENABLE AND DISABLE TIMES

- NOTES: A. The input pulse is supplied by a generator having the following characteristics: PRR \leq 1 MHz, Duty Cycle \leq 50%, $t_r \leq$ 6 ns, $t_f \leq$ 6 ns, $Z_{out} = 50 \Omega$.
- B. C_L includes probe and jig capacitance.
- C. The input pulse is supplied by a generator having the following characteristics: PRR \leq 500 kHz, Duty Cycle \leq 50%, $t_r \leq$ 6 ns, $t_f \leq$ 6 ns, $Z_{out} = 50 \Omega$.
- D. When measuring differential-output delay time difference, switches S1 and S2 are closed. (Isolation transformer from Pulse Engineering P/N PE-64352).

PARAMETER MEASUREMENT INFORMATION

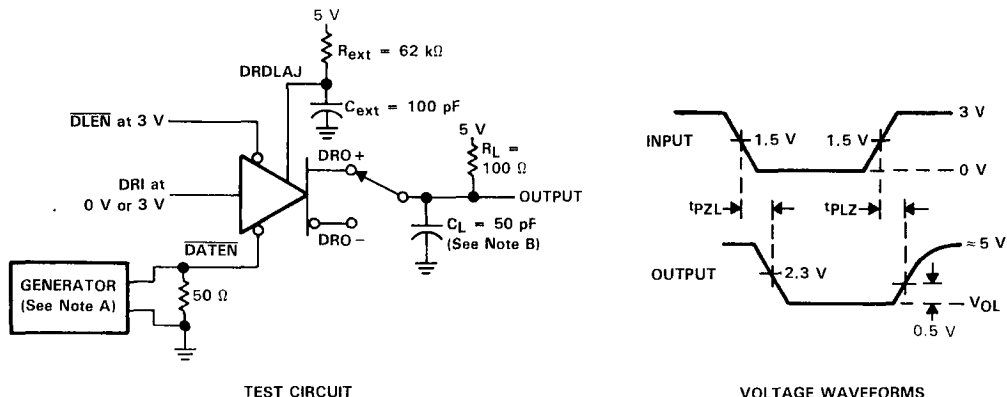


FIGURE 4. DRIVER ENABLE AND DISABLE TIMES

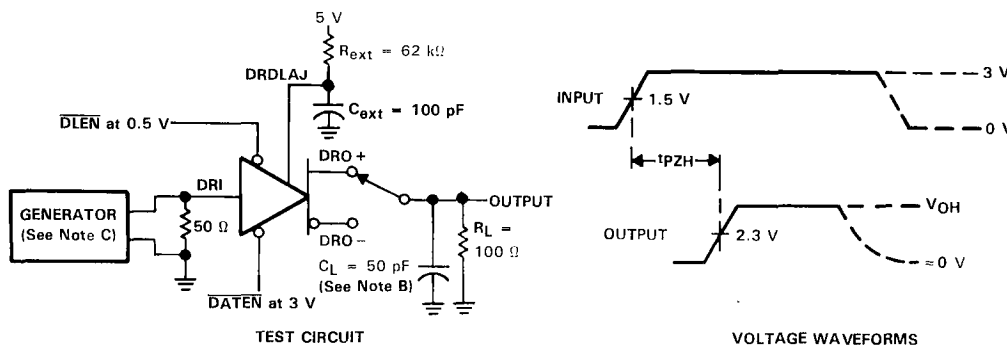


FIGURE 5. ENABLE TIMES FROM DELAY ENABLE

- NOTES:** A. The input pulse is supplied by a generator having the following characteristics: PRR \leq 200 kHz, Duty Cycle \leq 50%, $t_r \leq$ 6 ns, $t_f \leq$ 6 ns, $Z_{out} = 50 \Omega$.
 B. C_L includes probe and jig capacitance.
 C. The input pulse is supplied by a generator having the following characteristics: PRR \leq 1 MHz, Duty Cycle \leq 50%, $t_r \leq$ 6 ns, $t_f \leq$ 6 ns, $Z_{out} = 50 \Omega$.

PARAMETER MEASUREMENT INFORMATION

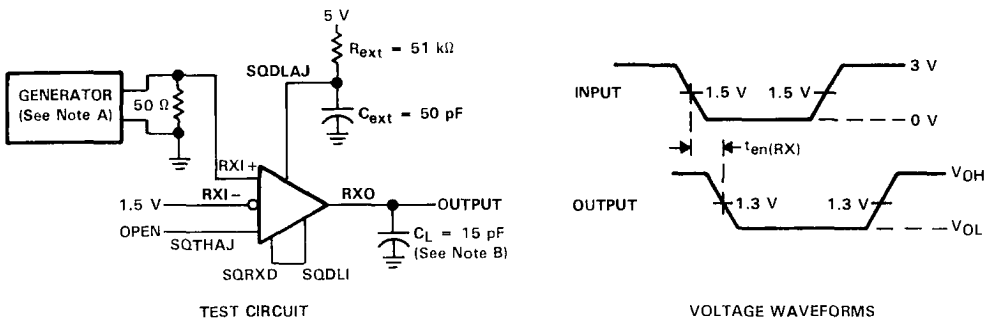
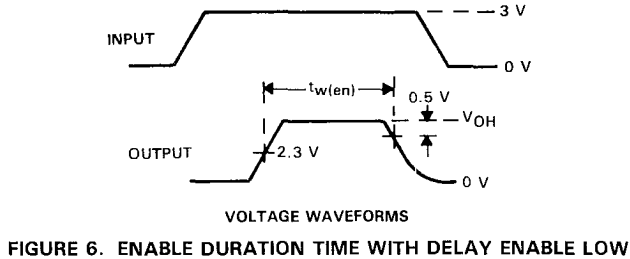
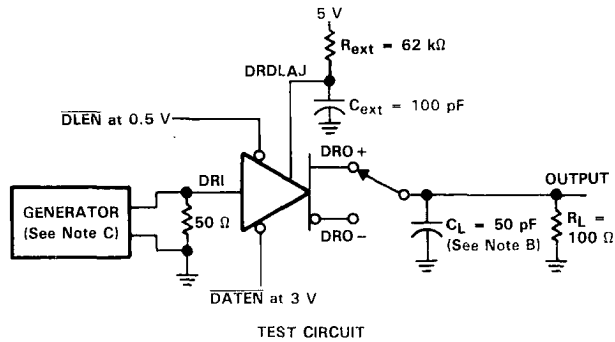


FIGURE 7. RECEIVER ENABLE (UNSQUELCH) TIMES

- NOTES: A. The input pulse is supplied by a generator having the following characteristics: $PRR \leq 500$ kHz, Duty Cycle $\leq 50\%$, $t_r \leq 6$ ns, $t_f \leq 6$ ns, $Z_{out} = 50 \Omega$.
 B. C_L includes probe and jig capacitance.
 C. The input pulse is supplied by a generator having the following characteristics: $PRR \leq 200$ kHz, Duty Cycle $\leq 50\%$, $t_r \leq 6$ ns, $t_f \leq 6$ ns, $Z_{out} = 50 \Omega$.

**SN75061
DRIVER/RECEIVER PAIR WITH SQUELCH**

PARAMETER MEASUREMENT INFORMATION

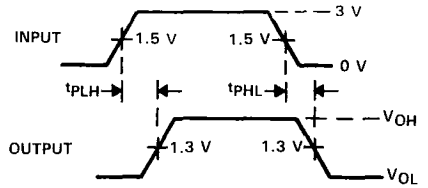
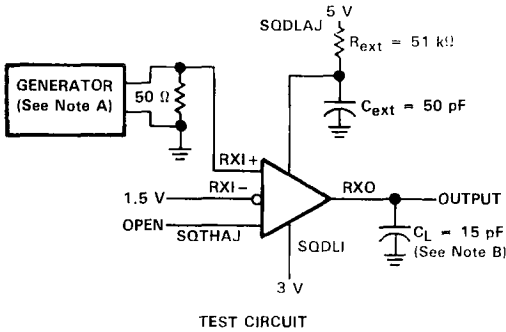


FIGURE 8. RECEIVER PROPAGATION DELAY TIMES

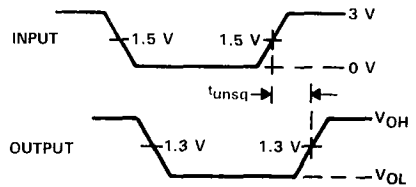
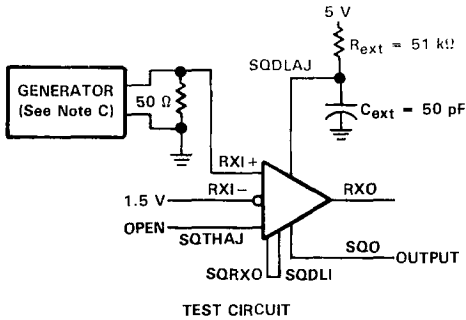


FIGURE 9. UNSQUELCH DURATION TIME

- NOTES: A. The input pulse is supplied by a generator having the following characteristics: PRR \leq 1 MHz, Duty Cycle \leq 50%, $t_r \leq$ 6 ns, $t_f \leq$ 6 ns, $Z_{out} = 50 \Omega$.
 B. C_L includes probe and jig capacitance.
 C. The input pulse is supplied by a generator having the following characteristics: PRR \leq 100 kHz, Duty Cycle \leq 50%, $t_r \leq$ 6 ns, $t_f \leq$ 6 ns, $Z_{out} = 50 \Omega$

- Meets IBM System 360 Input/Output Interface Specifications
- Operates from Single 5-V Supply
- TTL Compatible
- 3.11-V Output at $I_{OH} = -59.3 \text{ mA}$
- Uncommitted Emitter-Follower Output Structure for Party-Line Operation
- Short-Circuit Protection
- AND-OR Logic Configuration
- Designed for Use With Triple Line Receiver SN75124
- Designed to Be Interchangeable With Signetics N8T23

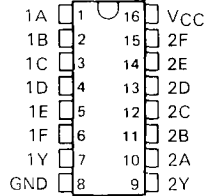
description

The SN75123 dual line driver is specifically designed to meet the input/output interface specifications for IBM System 360. It is also compatible with standard TTL logic and supply voltage levels.

The low-impedance emitter-follower outputs of the SN75123 will drive terminated lines such as coaxial cable or twisted pair. Having the outputs uncommitted allows wired-OR logic to be performed in party-line applications. Output short-circuit protection is provided by an internal clamping network that turns on when the output voltage drops below approximately 1.5 V. All the inputs are in conventional TTL configuration and the gating can be used during power-up and power-down sequences to ensure that no noise is introduced to the line.

The SN75123 is characterized for operation from 0°C to 70°C.

D, J, OR N PACKAGE
(TOP VIEW)

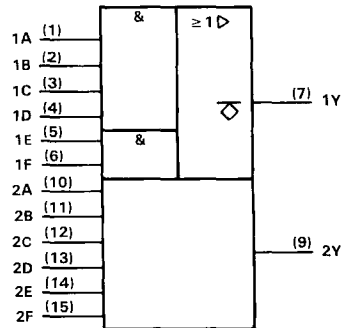


FUNCTION TABLE

INPUTS						OUTPUT
A	B	C	D	E	F	Y
H	H	H	H	X	X	H
X	X	X	X	H	H	H
All other input combinations						L

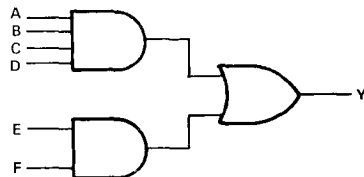
H = high level
L = low level
X = irrelevant

logic symbol†



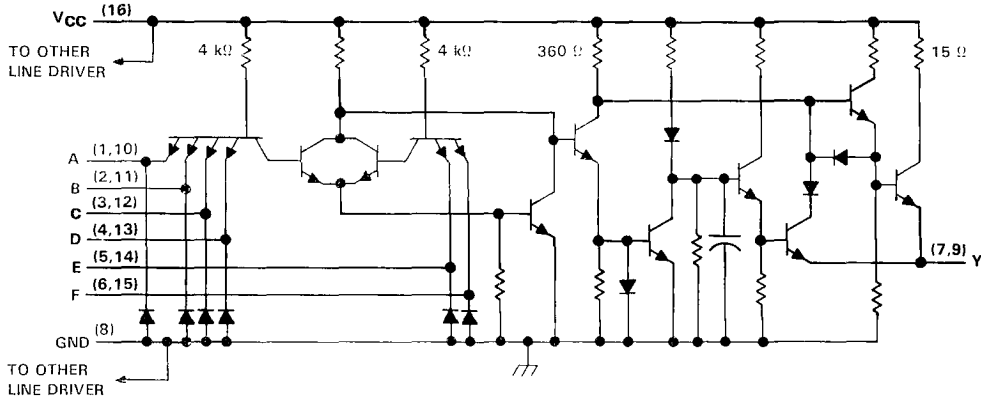
†This symbol is in accordance with ANSI/IEEE Std 91-1984 and IEC Publication 617-12.

logic diagram, each driver (positive logic)



SN75123 DUAL LINE DRIVER

schematic (each driver)



Resistor values shown are nominal.

absolute maximum ratings over operating free-air temperature range (unless otherwise noted)

Supply voltage, V_{CC} (see Note 1)	7 V
Input voltage	5.5 V
Output voltage	7 V
Continuous total dissipation at (or below) 25°C free-air temperature (see Note 2):	
D package	950 mW
J package	1025 mW
N package	1150 mW
Operating free-air temperature range	0°C to 70°C
Storage temperature range	-65°C to 150°C
Lead temperature 1,6 mm (1/16 inch) from case for 10 seconds: D or N package	260°C
Lead temperature 1,6 mm (1/16 inch) from case for 60 seconds: J package	300°C

- NOTES: 1. All voltage values, except differential input voltage, are with respect to network ground terminal.
 2. For operation above 25°C free-air temperature, derate the D package to 608 mW at 70°C at the rate of 7.6 mW/°C, the J package to 656 mW at 70°C at the rate of 8.2 mW/°C, and the N package to 736 mW at 70°C at the rate of 9.2 mW/°C. In the J package, SN75123 chips are glass mounted.

recommended operating conditions

	MIN	NOM	MAX	UNIT
Supply voltage, V_{CC}	4.75	5	5.25	V
High-level input voltage, V_{IH}	2			V
Low-level input voltage, V_{IL}			0.8	V
High-level output current, I_{OH}			-100	mA
Operating free-air temperature, T_A	0		70	°C



electrical characteristics, $V_{CC} = 4.75 \text{ V to } 5.25 \text{ V}$, $T_A = 0^\circ\text{C to } 70^\circ\text{C}$ (unless otherwise noted)

PARAMETER	TEST CONDITIONS	MIN.	TYP.	MAX.
V_{IK} Input clamp voltage	$V_{CC} = 5 \text{ V}$, $I_I = -12 \text{ mA}$		-1.5	V
$V_{(BR)}$ Input breakdown voltage	$V_{CC} = 5 \text{ V}$, $I_I = 10 \text{ mA}$	5.5		V
V_{OH} High-level output voltage	$V_{CC} = 5 \text{ V}$, $V_{IH} = 2 \text{ V}$, $I_{OH} = -59.3 \text{ mA}$, See Note 3,	$T_A = 25^\circ\text{C}$	3.11	V
		$T_A = 0^\circ\text{C to } 70^\circ\text{C}$	2.9	
I_{OH} High-level output current	$V_{CC} = 5 \text{ V}$, $V_{IH} = 4.5 \text{ V}$, $T_A = 25^\circ\text{C}$, See Note 3	-100	-250	mA
V_{OL} Low-level output voltage	$V_{IL} = 0.8 \text{ V}$, $I_{OL} = -240 \mu\text{A}$, See Note 3		0.15	V
$I_{O(off)}$ Off-state output current	$V_{CC} = 0$, $V_O = 3 \text{ V}$		40	μA
I_{IH} High-level input current	$V_I = 4.5 \text{ V}$		40	μA
I_{IL} Low-level input current	$V_I = 0.4 \text{ V}$	-0.1	-1.6	mA
I_{OS} Short-circuit output current†	$V_{CC} = 5 \text{ V}$, $T_A = 25^\circ\text{C}$		-30	mA
I_{CCH} Supply current, outputs high	$V_{CC} = 5.25 \text{ V}$, All inputs at 2 V, Outputs open		28	mA
	$V_{CC} = 5.25 \text{ V}$, All inputs at 0.8 V, Outputs open		60	mA

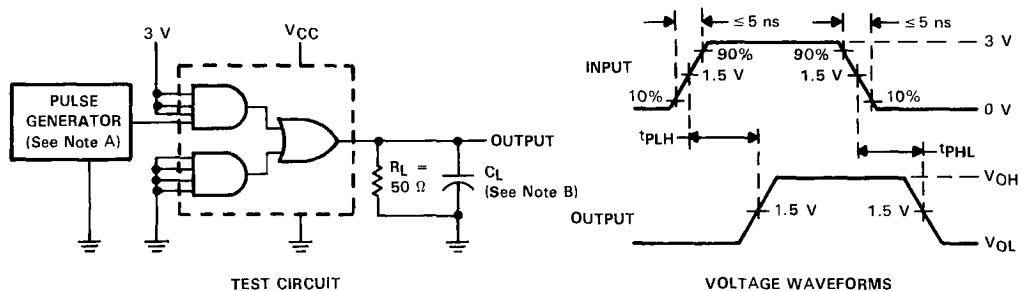
†Not more than one output should be shorted at a time.

NOTE 3: The output voltage and current limits are valid for any appropriate combination of high and low inputs specified by the function table for the desired output.

switching characteristics, $V_{CC} = 5 \text{ V}$, $T_A = 25^\circ\text{C}$

PARAMETER	TEST CONDITIONS	MIN	TYP	MAX
t_{PLH} Propagation delay time, low-to-high-level output	$R_L = 50 \Omega$, $C_L = 15 \text{ pF}$,		12	ns
t_{PHL} Propagation delay time, high-to-low-level output	See Figure 1		12	
t_{PLH} Propagation delay time, low-to-high-level output	$R_L = 50 \Omega$, $C_L = 100 \text{ pF}$,		20	ns
t_{PHL} Propagation delay time, high-to-low-level output	See Figure 1		15	

PARAMETER MEASUREMENT INFORMATION



NOTES: A. The pulse generator has the following characteristics: $Z_0 = 50 \Omega$; $t_w = 200 \text{ ns}$, duty cycle = 50%.
B. C_L Includes probe and jig capacitance.

FIGURE 1. SN75123 SWITCHING TIMES

TYPICAL CHARACTERISTICS

OUTPUT CURRENT
 vs
 OUTPUT VOLTAGE

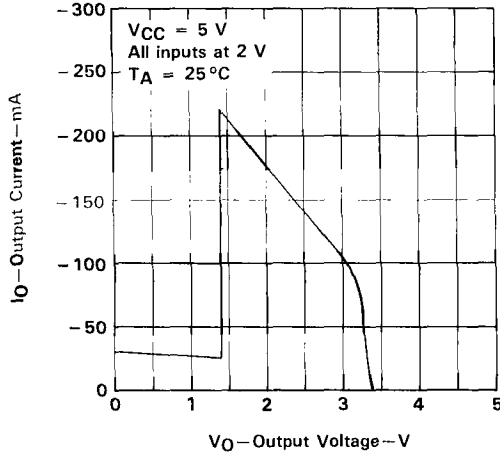


FIGURE 2

APPLICATION INFORMATION

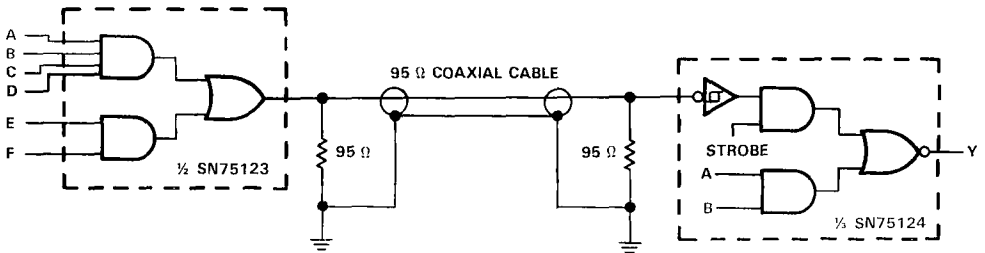


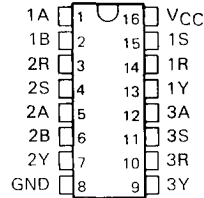
FIGURE 3. UNBALANCED LINE COMMUNICATION USING '123 AND '124

SN75124 TRIPLE LINE RECEIVER

D1322, SEPTEMBER 1973—REVISED SEPTEMBER 1989

- Meets IBM System 360 Input/Output Interface Specifications
- Operates from Single 5-V Supply
- TTL Compatible
- Built-In Input Threshold Hysteresis
- High Speed . . . Typical Propagation Delay Time = 20 ns
- Independent Channel Strobes
- Input Gating Increases Application Flexibility
- Designed for Use with Dual Line Driver SN75123
- Designed to Be Interchangeable with Signetics N8T24

D, J, OR N PACKAGE
(TOP VIEW)



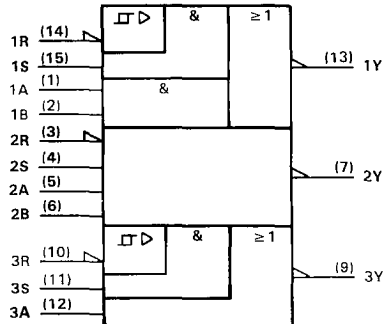
description

The SN75124 triple line receiver is specifically designed to meet the input/output interface specifications for IBM System 360. It is also compatible with standard TTL logic and supply voltage levels.

The SN75124 has receiver inputs with built-in hysteresis to provide increased noise margin for single-ended systems. An open line will affect the receiver input as would a low-level input voltage and the receiver input can withstand a level of -0.15 V with power on or off. The other inputs are in TTL configuration. The S input must be high to enable the receiver input. Two of the line receivers have A and B inputs that, if both are high, will hold the output low. The third receiver has only an A input that, if high, will hold the output low.

The SN75124 is characterized for operation from 0°C to 70°C .

logic symbol†



† This symbol is in accordance with ANSI/IEEE Std 91-1984 and IEC Publication 617-12.

FUNCTION TABLE

INPUTS				OUTPUT
A	B [†]	R	S	Y
H	H	X	X	L
X	X	L	H	L
L	X	H	X	H
L	X	X	L	H
X	L	H	X	H
X	L	X	L	H

† B input and last two lines of the function table are applicable to receivers 1 and 2 only.

AVAILABLE OPTIONS

T _A	PACKAGE		
	SMALL OUTLINE (D)	CERAMIC DIP (J)	PLASTIC DIP (N)
0°C to 70°C	SN75124D	SN75124J	SN75124N

The D package is available taped and reeled. Add the suffix R to the device type (i.e., SN75124DR).

ALL DATA documents contain information regarding publication date. Products conform to specifications per the terms of Texas Instruments standard warranty. Production processing does not necessarily include testing of all parameters.

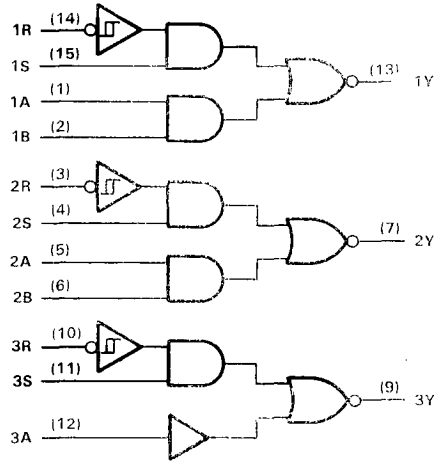


Copyright © 1989, Texas Instruments Incorporated

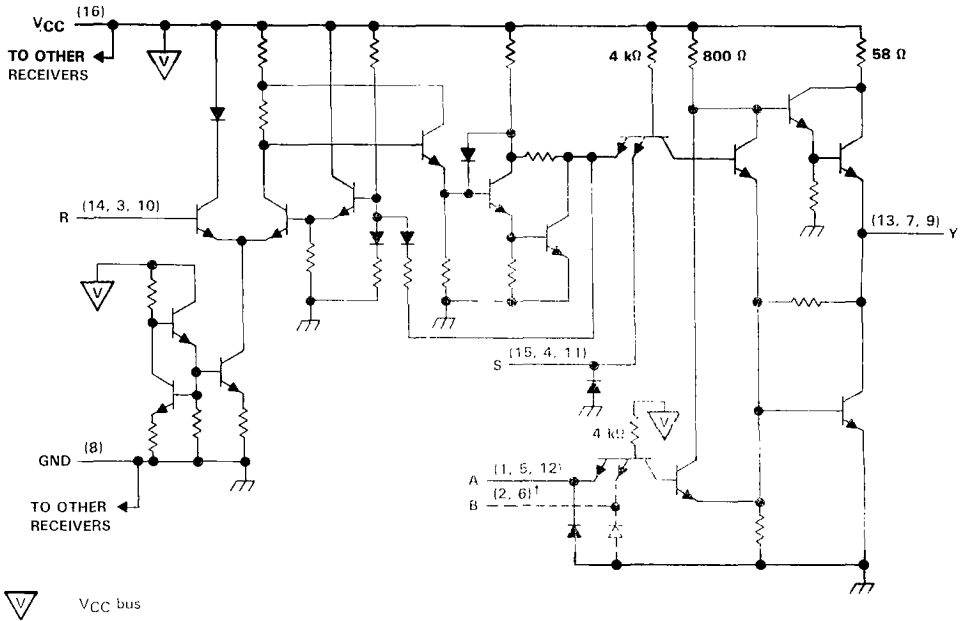
POST OFFICE BOX 655303 • DALLAS, TEXAS 75285

SN75124 TRIPLE LINE RECEIVER

logic diagram (positive logic)



schematic (each receiver)



[†]B input is provided on receivers 1 and 2 only.
Resistor values shown are nominal.

absolute maximum ratings over operating free-air temperature range (unless otherwise noted)

Supply voltage, V_{CC} (see Note 1)	7 V
Input voltage: R input with V_{CC} applied	7 V
R input with V_{CC} not applied	6 V
A, B, or S input	5.5 V
Output voltage	7 V
Output current	± 100 mA
Continuous total dissipation	See Dissipation Rating Table
Operating free-air temperature range	0°C to 70°C
Storage temperature range	-65°C to 150°C
Lead temperature 1,6 mm (1/16 inch) from case for 60 seconds: J package	300°C
Lead temperature 1,6 mm (1/16 inch) from case for 10 seconds: D or N package	260°C

NOTE 1: Voltage values are with respect to network ground terminal.

DISSIPATION RATING TABLE

PACKAGE	$T_A \leq 25^{\circ}\text{C}$	DERATING FACTOR	$T_A = 70^{\circ}\text{C}$
	POWER RATING	ABOVE $T_A = 25^{\circ}\text{C}$	POWER RATING
D	950 mW	7.6 mW/ $^{\circ}\text{C}$	608 mW
J	1025 mW	8.2 mW/ $^{\circ}\text{C}$	656 mW
N	1150 mW	9.2 mW/ $^{\circ}\text{C}$	736 mW

recommended operating conditions

		MIN	NOM	MAX	UNIT
Supply voltage, V_{CC}		4.75	5	5.25	V
High-level input voltage, V_{IH}	A, B, or S	2			V
	R	1.7			
Low-level input voltage, V_{IL}	A, B, or S	0.8			V
	R	0.7			
High-level output current, I_{OH}		-800			μA
Low-level output current, I_{OL}		16			mA
Operating free-air temperature, T_A		0		70	$^{\circ}\text{C}$

SN75124 TRIPLE LINE RECEIVER

electrical characteristics, $V_{CC} = 4.75 \text{ V to } 5.25 \text{ V}$, $T_A = 0^\circ\text{C to } 70^\circ\text{C}$ (unless otherwise noted)

PARAMETER		TEST CONDITIONS	MIN	TYP	MAX	UNIT	
V_{hys}	Hysteresis ($V_{T+} - V_{T-}$)	R	$V_{CC} = 5 \text{ V}$,	$T_A = 25^\circ\text{C}$	0.2	0.5	V
V_{IK}	Input clamp voltage	A,B, or S	$V_{CC} = 5 \text{ V}$,	$I_I = -12 \text{ mA}$		-1.5	V
$V_{(BR)}$	Input breakdown voltage	A,B, or S	$V_{CC} = 5 \text{ V}$,	$I_I = 10 \text{ mA}$	5.5		V
V_{OH}	High-level output voltage		$V_{IH} = V_{IH \text{ min.}}$, $V_{IL} = V_{IL \text{ max.}}$, $I_{OH} = -800 \mu\text{A}$, See Note 2		2.6		V
V_{OL}	Low-level output voltage		$V_{IH} = V_{IH \text{ min.}}$, $V_{IL} = V_{IL \text{ max.}}$, $I_{OL} = 16 \text{ mA}$, See Note 2			0.4	V
I_I	Input current at maximum input voltage	R	$V_I = 7 \text{ V}$		5		mA
			$V_I = 6 \text{ V}$, $V_{CC} = 0$		5		
I_{IH}	High-level input current	A,B, or S	$V_I = 4.5 \text{ V}$		40		μA
		R	$V_I = 3.11 \text{ V}$		170		
I_{IL}	Low-level input current	A,B, or S	$V_I = 0.4 \text{ V}$, $V_{IR} = 0 \text{ V}$		-0.1	-1.6	mA
I_{OS}	Short-circuit output current†		$V_{CC} = 5 \text{ V}$, $T_A = \text{---}$		-50	-100	mA
I_{CC}	Supply current		All inputs = 0.8 V		72		mA
			All inputs = 2 V		100		

†Typical value is at $V_{CC} = 5 \text{ V}$, $T_A = 25^\circ\text{C}$.

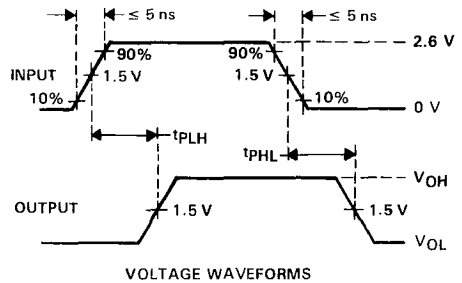
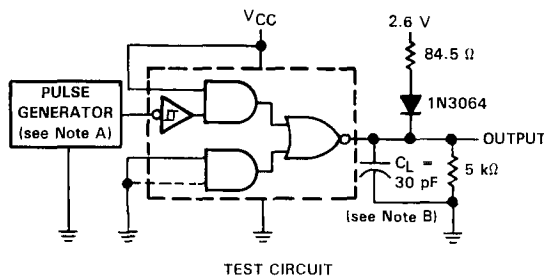
‡Not more than one output should be shorted at a time, and duration of the short circuit should not exceed one second.

NOTE 2: The output voltage and current limits are characterized for any appropriate combination of high and low inputs specified by the function table for the desired output.

switching characteristics, $V_{CC} = 5 \text{ V}$, $T_A = 25^\circ\text{C}$

PARAMETER	TEST CONDITIONS	MIN	TYP	MAX	UNIT
t_{PLH}	Propagation delay time, low-to-high-level output from R input		20	30	ns
t_{PHL}	Propagation delay time, high-to-low-level output from R input		20	30	

PARAMETER MEASUREMENT INFORMATION



NOTES: A. The pulse generator has the following characteristics: $Z_{out} = 50 \Omega$, $PRR \leq 5 \text{ MHz}$, duty cycle = 50%.
B. C_L includes probe and jig capacitance.

FIGURE 1. SN75124 SWITCHING TIMES

TYPICAL CHARACTERISTICS

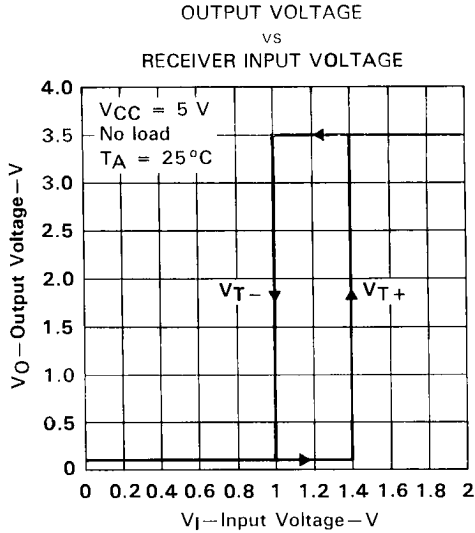


FIGURE 2

TYPICAL APPLICATION DATA

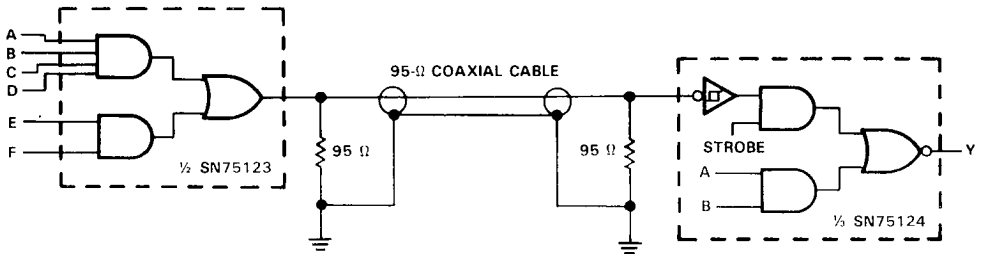


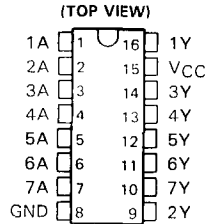
FIGURE 3. UNBALANCED LINE COMMUNICATION USING SN75123 AND SN75124

SN75125, SN75127 SEVEN-CHANNEL LINE RECEIVERS

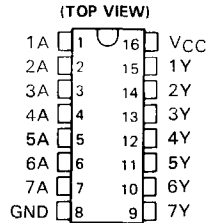
D2239, JANUARY 1977 - REVISED SEPTEMBER 1986

- Meets IBM 360/370 I/O Specification
- Input Resistance . . . 7 kΩ to 20 kΩ
- Output Compatible with TTL
- Schottky-Clamped Transistors
- Operates from Single 5-V Supply
- High Speed . . . Low Propagation Delay
- Ratio Specification for Propagation Delay Time, Low-to-High/High-to-Low
- Seven Channels in One 16-Pin Package
- Standard V_{CC} and Ground Positioning on SN75127

SN75125 . . . D, J, OR N PACKAGE



SN75127 . . . D, J, OR N PACKAGE

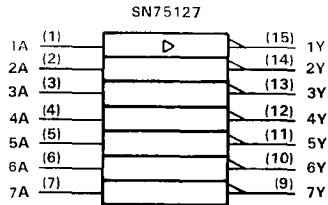
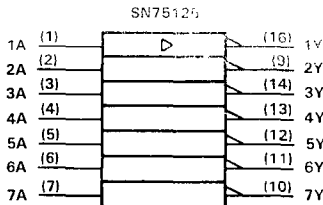


description

The SN75125 and SN75127 are monolithic seven-channel line receivers designed to satisfy the requirements of the IBM System 360/370 input/output interface specifications. Special low-power design and Schottky-clamped transistors allow for low supply-current requirements while maintaining fast switching speeds and high-current TTL outputs.

The SN75125 and SN75127 are characterized for operation from 0°C to 70°C.

logic symbols†



† These symbols are in accordance with ANSI/IEEE Std 91-1984 and IEC Publication 617-12.

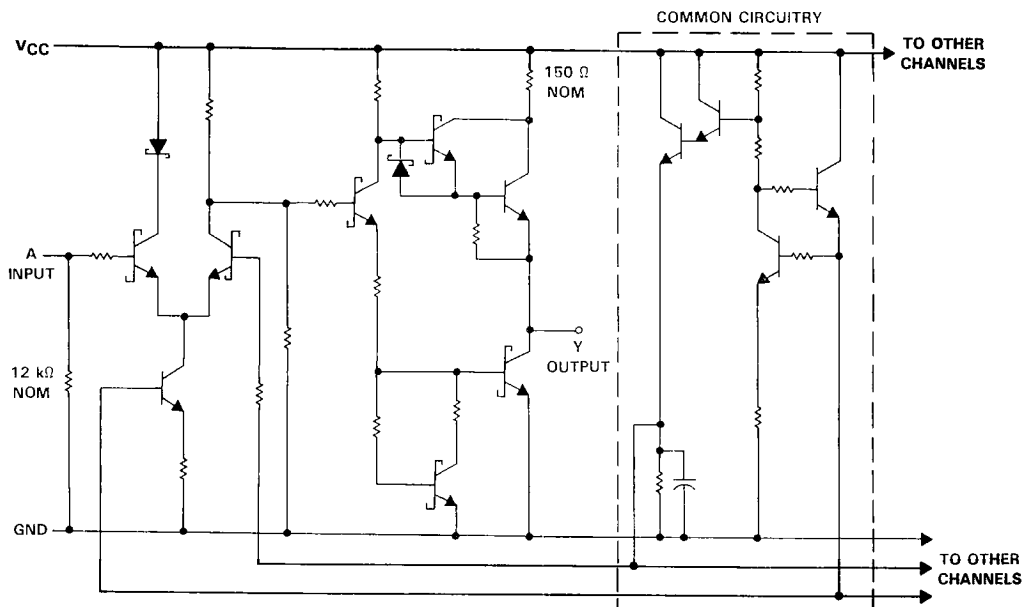
PRODUCTION DATA documents contain information current as of publication date. Products conform to specifications per the terms of Texas Instruments standard warranty. Production processing does not necessarily include testing of all parameters.



Copyright © 1986, Texas Instruments Incorporated

SN75125, SN75127 SEVEN-CHANNEL LINE RECEIVERS

schematic (each receiver)



absolute maximum ratings over operating free-air temperature range (unless otherwise noted)

Supply voltage, V_{CC} (see Note 1)	7 V
Input voltage range: SN75125	-0.15 V to 7 V
SN75127	-2 V to 7 V
Continuous total power dissipation (see Note 2)	See Dissipation Rating Table
Operating free-air temperature range	0°C to 70°C
Storage temperature range	-65°C to 150°C
Lead temperature 1,6 mm (1/16 inch) from case for 60 seconds: J package	300°C
Lead temperature 1,6 mm (1/16 inch) from case for 10 seconds: D or N package	260°C

- NOTES: 1. All voltage values are with respect to network ground terminal.
2. In the J package, SN75125 and SN75127 chips are glass mounted.

DISSIPATION RATING TABLE

PACKAGE	$T_A \leq 25^\circ\text{C}$ POWER RATING	DERATING FACTOR ABOVE $T_A = 25^\circ\text{C}$	$T_A = 70^\circ\text{C}$ POWER RATING
D	950 mW	7.6 mW/°C	608 mW
J	1025 mW	8.2 mW/°C	656 mW
N	1150 mW	9.2 mW/°C	736 mW

SN75125, SN75127
SEVEN-CHANNEL LINE RECEIVERS

recommended operating conditions

	MIN	NOM	MAX	UNIT
Supply voltage, V_{CC}	4.5	5	5.5	V
High-level input voltage, V_{IH}	1.7			V
Low-level input voltage, V_{IL}			0.7	V
High-level output current, I_{OH}			-0.4	mA
Low-level output current, I_{OL}			16	mA
Operating free-air temperature, T_A	0		70	°C

electrical characteristics over recommended operating free-air temperature range (unless otherwise noted)

PARAMETER	TEST CONDITIONS	MIN	TYP [†]	MAX	UNIT
V_{OH} High-level output voltage	$V_{CC} = 4.5$ V, $V_{IL} = 0.7$ V, $I_{OH} = -0.4$ mA	2.4	3.1		V
V_{OL} Low-level output voltage	$V_{CC} = 4.5$ V, $V_{IH} = 1.7$ V, $I_{OL} = 16$ mA		0.4	0.5	V
I_{IH} High-level input current	$V_{CC} = 5.5$ V, $V_I = 3.11$ V		0.3	0.42	mA
I_{IL} Low-level input current	$V_{CC} = 5.5$ V, $V_I = 0.15$ V			30	μA
I_{OS} Short-circuit output current [‡]	$V_{CC} = 5.5$ V, $V_O = 0$	-18		-60	mA
r_i Input resistance	$V_{CC} = 4.5$ V, 0 V, or open, $\Delta V_I = 0.15$ V to 4.15 V	7		20	kΩ
I_{CC} Supply current	$V_{CC} = 5.5$ V, $I_{OH} = -0.4$ mA, All inputs at 0.7 V		15	25	mA
	$V_{CC} = 5.5$ V, $I_{OL} = 16$ mA, All inputs at 4 V		28	47	mA

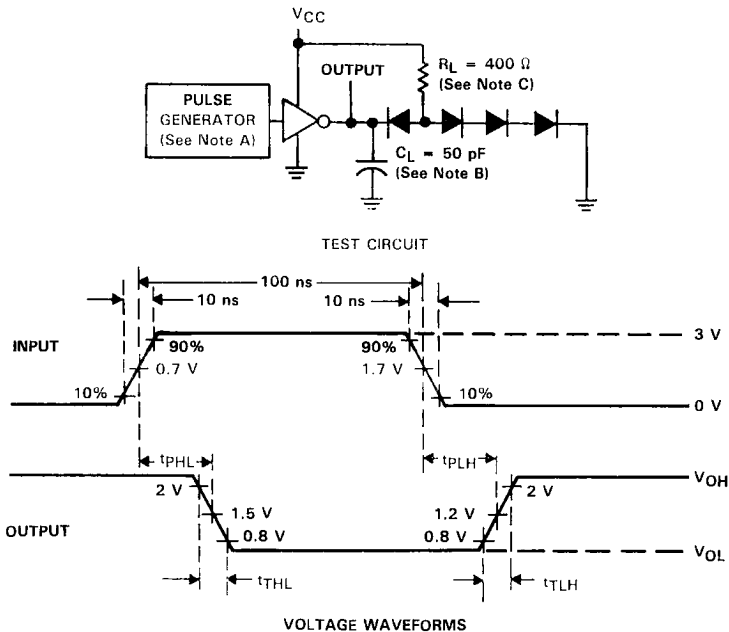
[†]All typical values are at $V_{CC} = 5$ V, $T_A = 25^\circ\text{C}$.

[‡]Not more than one output should be shorted at a time.

switching characteristics, $V_{CC} = 5$ V, $T_A = 25^\circ\text{C}$

PARAMETER	TEST CONDITIONS	MIN	TYP	MAX	UNIT
t_{PLH} Propagation delay time, low-to-high-level output	$R_L = 400$ Ω, $C_L = 50$ pF, See Figure 1	7	14	25	ns
t_{PHL} Propagation delay time, high-to-low-level output		10	18	30	ns
$\frac{t_{PLH}}{t_{PHL}}$ Ratio of propagation delay times		0.5	0.8	1.3	
t_{TLH} Transition time, low-to-high-level output		1	7	12	ns
t_{THL} Transition time, high-to-low-level output		1	3	12	ns

PARAMETER MEASUREMENT INFORMATION



- NOTES: A. The pulse generator has the following characteristics: $Z_o \approx 50 \Omega$, $PRR \leq 5 \text{ MHz}$.
 B. C_L includes probe and jig capacitance.
 C. All diodes are 1N3064 or equivalent.

FIGURE 1

TYPICAL CHARACTERISTICS

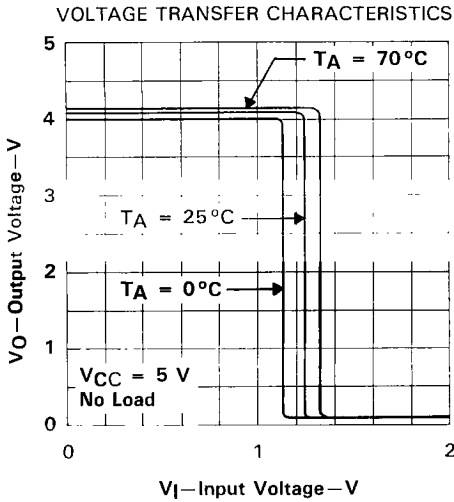


FIGURE 2

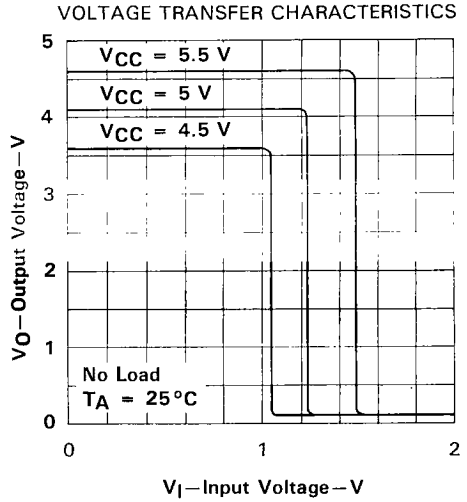


FIGURE 3

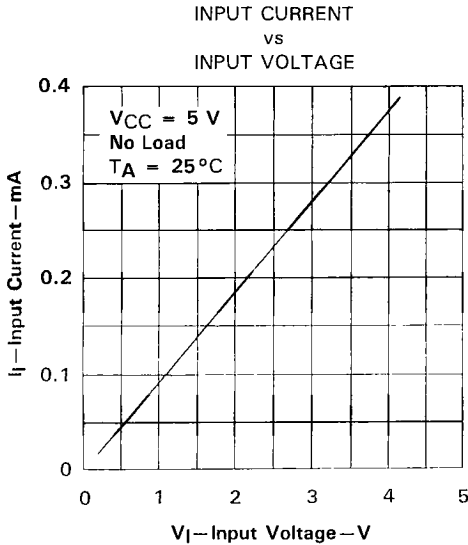


FIGURE 4

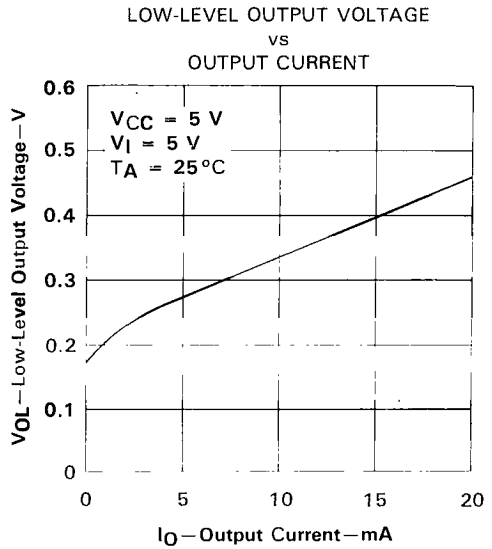


FIGURE 5

TYPICAL CHARACTERISTICS

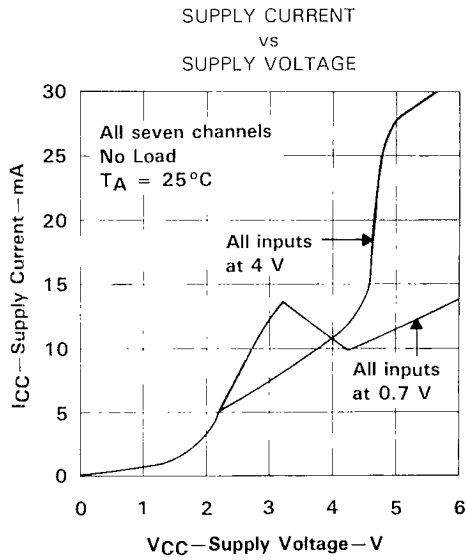
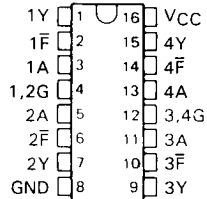


FIGURE 6

- Meets IBM 360/370 I/O Interface Specification GA22-6974-3 (Also See SN55ALS126 and SN75ALS126)
- Minimum Output Voltage of 3.11 V at $I_{OH} = -60$ mA
- Fault-Flag Circuit Output Signals Driver Output Fault
- Fault-Detection Current-Limit Circuit Minimizes Power Dissipation During a Fault Condition
- Dual Common Enable
- Individual Fault Flags
- Designed to Replace the MC3481

**D, J, OR N PACKAGE
(TOP VIEW)**



FUNCTION TABLE

INPUTS		OUTPUTS	
G	A	Y	F
L	X	L	H
H	H	H	H
H	L	S	L

H = high level, L = low level,
X = irrelevant, S = shorted to ground

description

The SN75126 quadruple line driver is designed to meet the IBM 360/370 I/O specification GA22-6974-3. The output voltage is 3.11 V minimum (at $I_{OH} = -59.3$ mA) over the recommended ranges of supply voltage (4.5 V to 5.95 V) and temperature. Driver outputs use a fault-detection current-limit circuit to allow high drive current but still minimize power dissipation when the output is shorted to ground. The SN75126 is compatible with standard TTL logic and supply voltages.

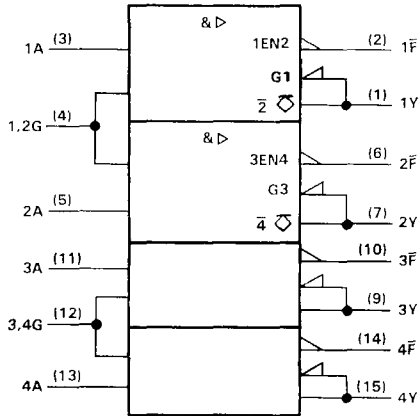
Fault-flag circuitry is designed to sense and signal a line short on any Y line. Upon detecting an output fault condition, the fault-flag circuit forces the driver output into a low state and signals a fault condition by causing the fault-flag output to go low.

The SN75126 can drive a 50-Ω load as required in the IBM GA22-6974-3 specification or a 90-Ω load as used in many I/O systems. Optimum performance can be achieved when the device is used with either the SN75125, SN75127, SN75128, or SN75129 line receivers.

The SN75126 is characterized for operation from 0°C to 70°C.

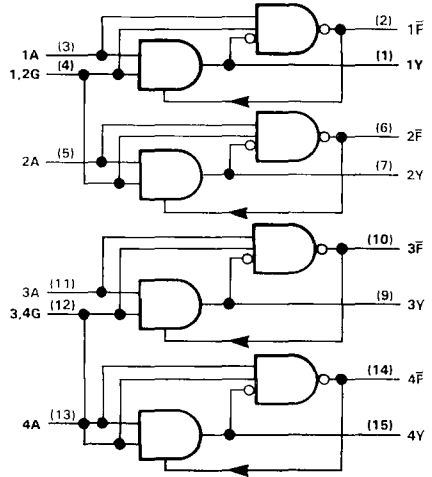
SN75126 QUADRUPLE LINE DRIVER

logic symbol†

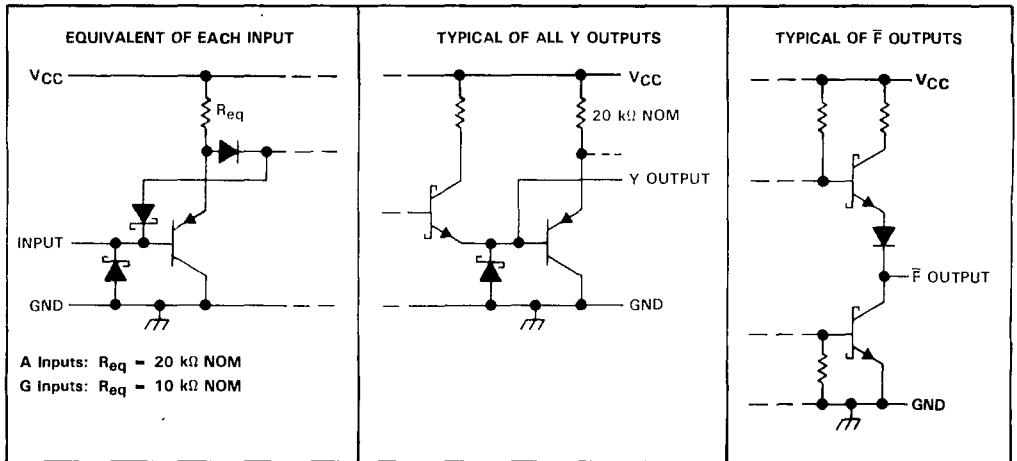


† This symbol is in accordance with ANSI/IEEE Std 91-1984 and IEC Publication 617-12.

logic diagram (positive logic)



schematics of inputs and outputs



absolute maximum ratings over operating free-air temperature range (unless otherwise noted)

Supply voltage, V_{CC}	7 V
Input voltage	7 V
Continuous total power dissipation	See Dissipation Rating Table
Operating free-air temperature range, T_A	0°C to 70°C
Storage temperature range	-65°C to 150°C
Lead temperature 1,6 mm (1/16 inch) from case for 10 seconds: D or N package	260°C
Lead temperature 1,6 mm (1/16 inch) from case for 60 seconds: J package	300°C

DISSIPATION RATING TABLE

PACKAGE	$T_A \leq 25^\circ\text{C}$	DERATING FACTOR	$T_A = 70^\circ\text{C}$
	POWER RATING	ABOVE $T_A = 25^\circ\text{C}$	POWER RATING
D	950 mW	7.6 mW/°C	608 mW
J	1025 mW	8.2 mW/°C	656 mW
N	1150 mW	9.2 mW/°C	736 mW

recommended operating conditions

	MIN	NOM	MAX	UNIT
Supply voltage, V_{CC}	4.5	5	5.95	V
High-level input voltage, V_{IH}	2			V
Low-level input voltage, V_{IL}			0.8	V
High-level output current, I_{OH}			-59.3	mA
Operating free-air temperature, T_A	0		70	°C

SN75126 QUADRUPLE LINE DRIVER

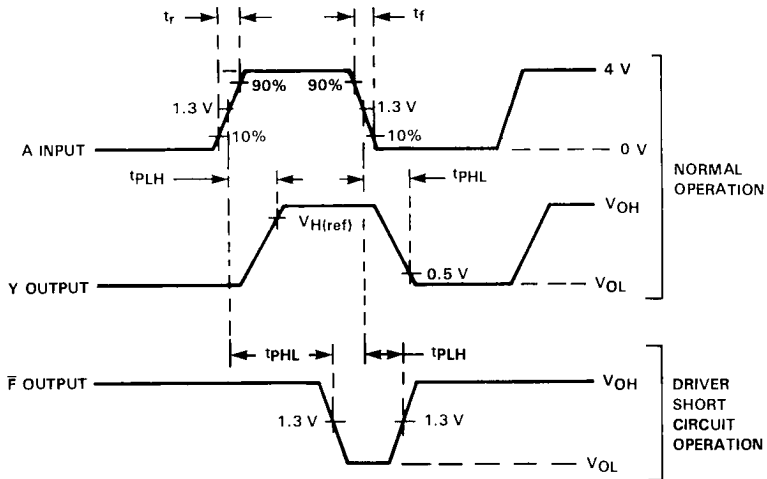
electrical characteristics over recommended operating free-air temperature range

PARAMETER		TEST CONDITIONS		MIN	MAX	UNIT
V _{IK}	Input clamp voltage	A, G	V _{CC} = 4.5 V, I _I = -18 mA		-1.5	V
V _{OH}	High-level output voltage	Y	V _{CC} = 4.5 V, I _{OH} = -59.3 mA, V _{IH} = 2 V	3.11		V
		Y	V _{CC} = 5.25 V, I _{OH} = -41 mA, V _{IH} = 2 V	3.9		
		F	V _{CC} = 4.5 V, I _{OH} = -400 μA, V _{IH} = 2 V	2.5		
V _{OL}	Low-level output voltage	Y	V _{CC} = 5.5 V, I _{OL} = -240 μA, V _{IL} = 0.8 V		0.15	V
		Y	V _{CC} = 5.95 V, I _{OL} = -1 mA, V _{IL} = 0.8 V		0.15	
		F	V _{CC} = 4.5 V, I _{OL} = 8 mA, Y at 0 V, V _{IH} = 2 V		0.5	
I _{O(off)}	Off-state output current	Y	V _{CC} = 4.5 V, V _I = 0, V _O = 3.11 V			μA
		Y	V _{CC} = 0, V _I = 0, V _O = 3.11 V			
I _I	Input current	A	V _{CC} = 4.5 V, V _I = 5.5 V		100	μA
		G			200	
I _{IH}	High-level input current	A	V _{CC} = 4.5 V, V _I = 2.7 V		20	μA
		G			40	
I _{IL}	Low-level input current	A	V _{CC} = 5.95 V, V _I = 0.4 V		-250	μA
		G			-500	
I _{OS}	Short-circuit output current	Y	V _{CC} = 5.5 V, V _O = 0, V _{IH} = 2.7 V		-5	mA
		F	V _{CC} = 5.5 V, V _O = 0	-15	-100	
		Y	V _{CC} = 5.95 V, V _O = 0, V _{IH} = 2.7 V		-5	
		F	V _{CC} = 5.95 V, V _O = 0	-15	-110	
I _{CCH}	Supply current, all outputs high		V _{CC} = 5.5 V, No load, V _{IH} = 2 V		70	mA
			V _{CC} = 5.95 V, No load, V _{IH} = 2 V		80	
I _{CCL}	Supply current, Y outputs low		V _{CC} = 5.5 V, No load, V _{IL} = 0.8 V		55	mA
			V _{CC} = 5.95 V, No load, V _{IL} = 0.8 V		70	

switching characteristics at T_A = 25 °C

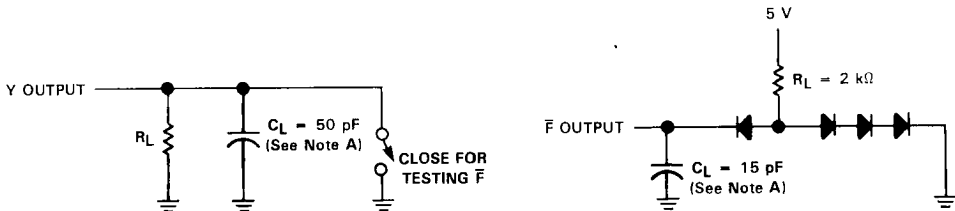
PARAMETER	FROM	TO	TEST CONDITIONS	MIN	MAX	UNIT
t _{PLH}	A	Y	V _{CC} = 4.5 V to 5.5 V, R _L = 50 Ω, C _L = 50 pF, V _{H(ref)} = 3.11 V, See Figures 1 and 2		40	ns
t _{PHL}					37	ns
t _{PLH} t _{PHL}					0.3	3
t _{PLH}	A	Y	V _{CC} = 5.25 V to 5.95 V, R _L = 90 Ω, C _L = 50 pF, V _{H(ref)} = 3.9 V, See Figures 1 and 2		45	ns
t _{PHL}					45	ns
t _{PLH}	A	F	V _{CC} = 5 V, R _L = 2 kΩ, C _L = 15 pF, See Figures 1 and 2		60	ns
t _{PHL}					100	ns

PARAMETER MEASUREMENT INFORMATION



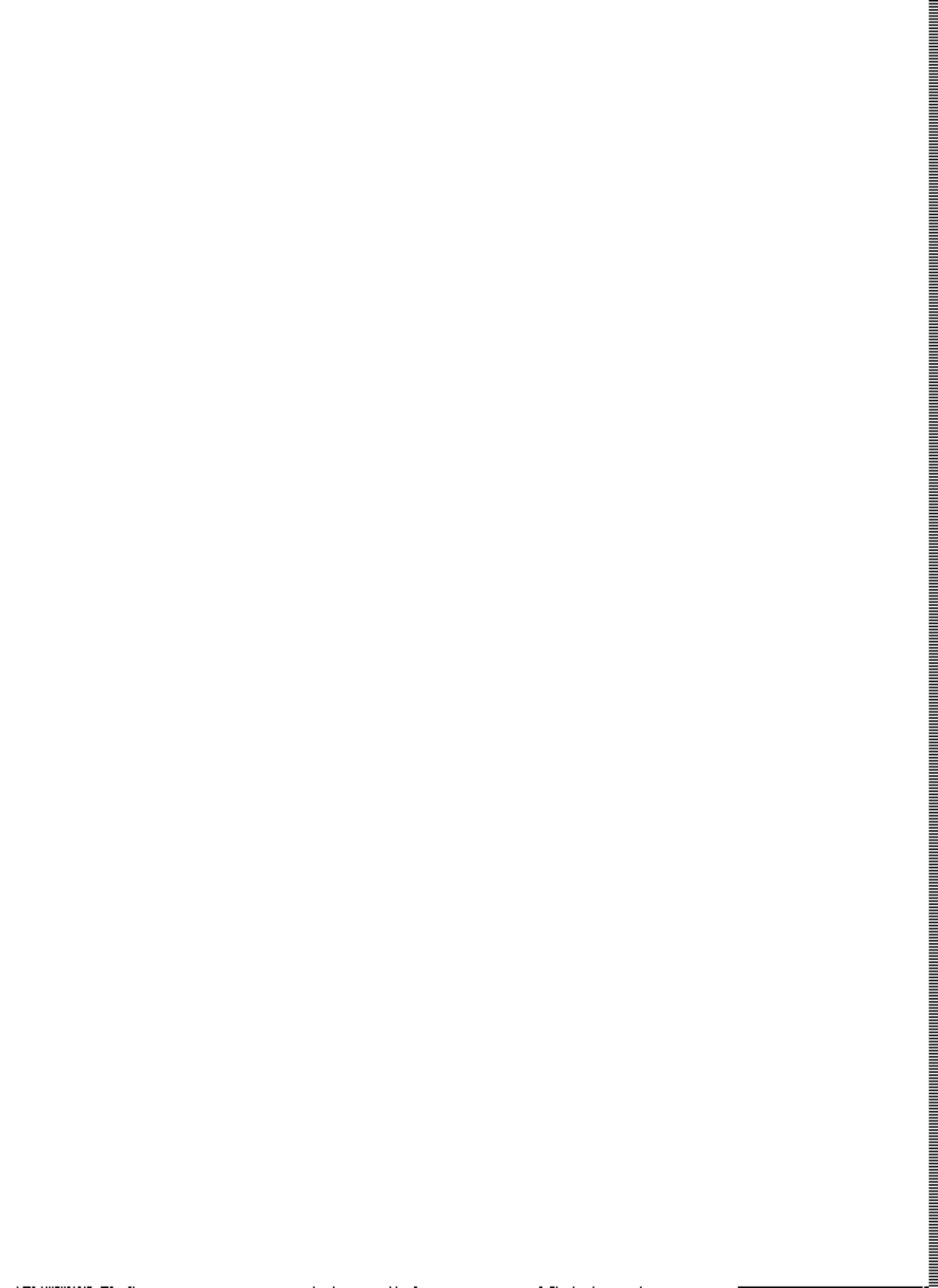
NOTE: The input pulse is supplied by a generator having the following characteristics: PRR \leq 1 MHz, duty cycle \leq 50%, $t_r \leq$ 6 ns, $t_f \leq$ 6 ns, $Z_{out} \approx$ 50 Ω .

FIGURE 1. INPUT AND OUTPUT VOLTAGE WAVEFORMS



NOTE A: C_L includes probe and stray capacitance.

FIGURE 2. SWITCHING CHARACTERISTICS LOAD CIRCUITS



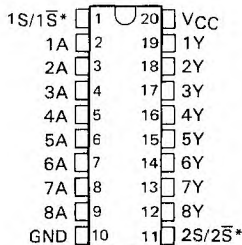
SN75128, SN75129 EIGHT-CHANNEL LINE RECEIVERS

D2305, JANUARY 1977—REVISED SEPTEMBER 1986

- Meets IBM 360/370 I/O Specification
- Input Resistance . . . 7 k Ω to 20 k Ω
- Output Compatible With TTL
- Schottky-Clamped Transistors
- Operates From a Single 5-Volt Supply
- High Speed . . . Low Propagation Delay
- Ratio Specification . . . tPLH/tTHL
- Common Strobe for Each Group of Four Receivers
- SN75128 . . . Active-High Strobes
SN75129 . . . Active-Low Strobes

DW. J, OR N PACKAGE

(TOP VIEW)



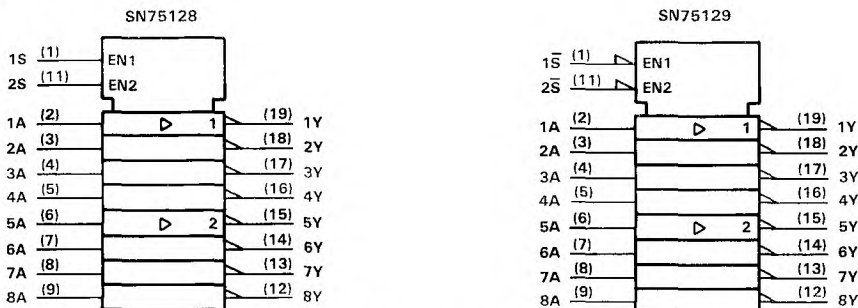
*S and \bar{S} for SN75128 and SN75129, respectively

description

The SN75128 and SN75129 are eight-channel line receivers designed to satisfy the requirements of the input-output interface specification for IBM 360/370. Both devices feature common strobes for each group of four devices. The SN75128 has active-high strobes; the SN75129 has active-low strobes. Special low-power design and Schottky-diode-clamped transistors allow low supply-current requirements while maintaining fast switching speeds and high-current TTL outputs.

The SN75128 and SN75129 are characterized for operation from 0°C to 70°C.

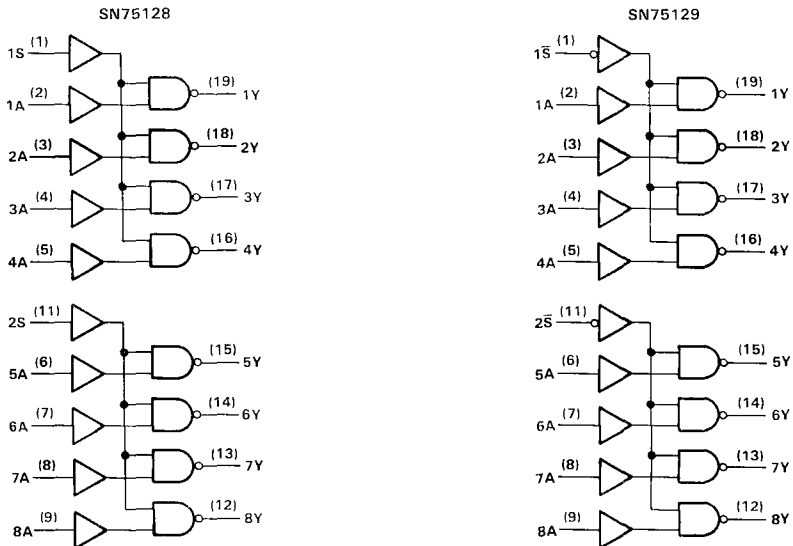
logic symbols†



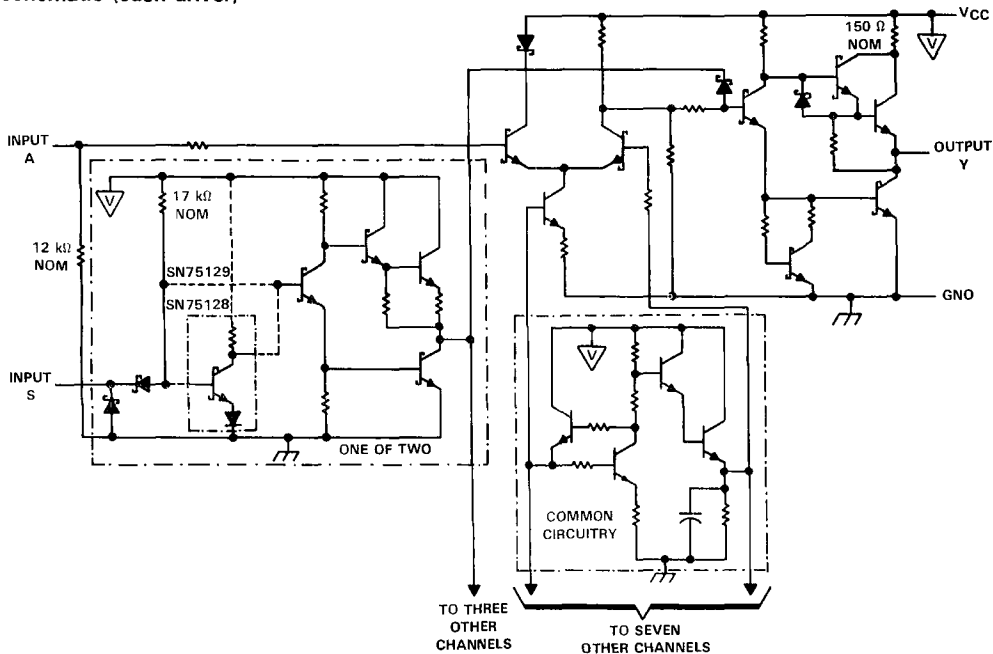
† These symbols are in accordance with ANSI/IEEE Std 91-1984 and IEC Publication 617-12.

SN75128, SN75129 EIGHT-CHANNEL LINE RECEIVERS

logic diagrams (positive logic)



schematic (each driver)



SN75128, SN75129 EIGHT-CHANNEL LINE RECEIVERS

absolute maximum ratings over operating free-air temperature range (unless otherwise noted)

Supply voltage, V_{CC} (see Note 1)	7 V
A input voltage range	-0.15 V to 7 V
Strobe input voltage	7 V
Continuous total power dissipation	See Dissipation Rating Table
Operating free-air temperature range	0°C to 70°C
Storage temperature range	-65°C to 150°C
Lead temperature 1,6 mm (1/16 inch) from case for 10 seconds: DW or N package	260°C
Lead temperature 1,6 mm (1/16 inch) from case for 60 seconds: J package	300°C

NOTE 1: All voltage values are with respect to network ground terminal.

DISSIPATION RATING TABLE

PACKAGE	$T_A \leq 25^\circ\text{C}$	DERATING FACTOR	$T_A = 70^\circ\text{C}$
	POWER RATING	ABOVE $T_A = 25^\circ\text{C}$	POWER RATING
DW	1125 mW	9.0 mW/°C	720 mW
J	1025 mW	8.2 mW/°C	656 mW
N	1150 mW	9.2 mW/°C	736 mW

recommended operating conditions

		MIN	NOM	MAX	UNIT
Supply voltage, V_{CC}		4.5	5	5.5	V
High-level input voltage, V_{IH}	A	1.7			V
	S	2			
Low-level input voltage, V_{IL}	A	0.7			V
	S	0.7			
High-level output current, I_{OH}		-0.4			mA
Low-level output current, I_{OL}		16			mA
Operating free-air temperature, T_A		0	70		°C

electrical characteristics over recommended operating free-air temperature range (unless otherwise noted)

PARAMETER		TEST CONDITIONS		MIN	TYP†	MAX	UNIT
V_{OH}	High-level output voltage	$V_{CC} = 4.5\text{ V}$, $V_{IL} = 0.7\text{ V}$, $I_{OH} = -0.4\text{ mA}$		2.4	3.1		V
V_{OL}	Low-level output voltage	$V_{CC} = 4.5\text{ V}$, $V_{IH} = 1.7\text{ V}$, $I_{OL} = 16\text{ mA}$		0.4		0.5	V
V_{IK}	Input clamp voltage	S	$V_{CC} = 4.5\text{ V}$, $I_I = -18\text{ mA}$			-1.5	V
I_{IH}	High-level input current	A	$V_{CC} = 5.5\text{ V}$, $V_I = 3.11\text{ V}$	0.3	0.42		mA
		S	$V_{CC} = 5.5\text{ V}$, $V_I = 2.7\text{ V}$			20	μA
I_{IL}	Low-level input current	A	$V_{CC} = 5.5\text{ V}$, $V_I = 0.15\text{ V}$			30	μA
		S	$V_{CC} = 5.5\text{ V}$, $V_I = 0.4\text{ V}$			-0.4	mA
I_{OS}	Short-circuit output current†	$V_{CC} = 5.5\text{ V}$, $V_O = 0$		-18			mA
r_i	Input resistance	$V_{CC} = 4.5\text{ V}$, 0, or open; $\Delta V_I = 0.15\text{ V}$ to 4.15 V		7			kΩ
I_{CC}	Supply current	SN75128	$V_{CC} = 5.5\text{ V}$, Strobe at 2.4 V, All A inputs at 0.7 V	19		31	mA
		SN75129	$V_{CC} = 5.5\text{ V}$, Strobe at 0.4 V, All A inputs at 0.7 V	19		31	
		SN75128	$V_{CC} = 5.5\text{ V}$, Strobe at 2.4 V, All A inputs at 4 V	32		53	
		SN75129	$V_{CC} = 5.5\text{ V}$, Strobe at 0.4 V, All A inputs at 4 V	32		53	

†All typical values are at $V_{CC} = 5\text{ V}$, $T_A = 25^\circ\text{C}$.

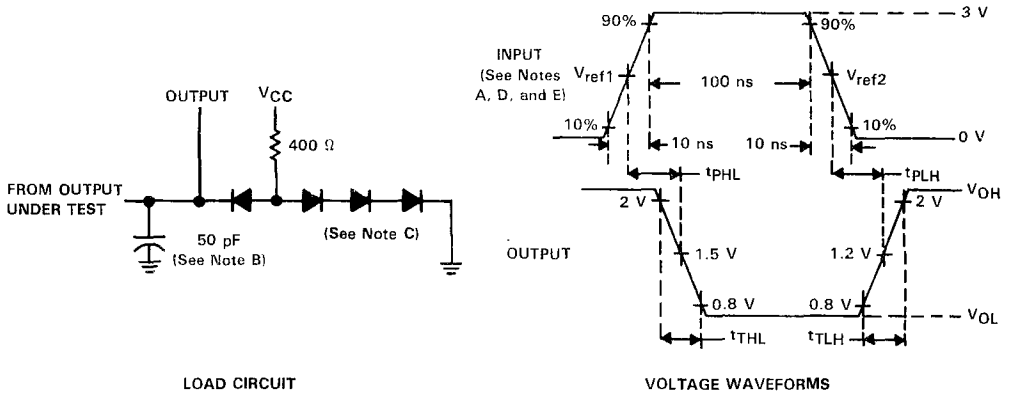
‡Not more than one output should be shorted at a time.

SN75128, SN75129 EIGHT-CHANNEL LINE RECEIVERS

switching characteristics, $V_{CC} = 5\text{ V}$, $T_A = 25^\circ\text{C}$

PARAMETER	FROM	TEST CONDITIONS	MIN			MAX			UNIT
			MIN	1 σ P	MAX	MIN	1 σ P	MAX	
t_{PLH} Propagation delay time, low-to-high-level output	A	$R_L = 400\ \Omega$, $C_L = 50\ \text{pF}$, See Figure 1	7	14	25	7	14	25	ns
t_{PHL} Propagation delay time, high-to-low-level output	A		10	18	30	10	18	30	ns
t_{PLH} Propagation delay time, low-to-high-level output	S		26	40		20	35		ns
t_{PHL} Propagation delay time, high-to-low-level output	S		22	35		16	30		ns
$\frac{t_{PLH}}{t_{PHL}}$ Ratio of propagation delay times	A		0.5	0.8	1.3	0.5	0.8	1.3	
t_{TLH} Transition time, low-to-high-level output			1	7	12	1	7	12	ns
t_{THL} Transition time, high-to-low-level output			1	3	12	1	3	12	ns

PARAMETER MEASUREMENT INFORMATION



- NOTES: A. Input pulses are supplied by a generator having the following characteristics: $Z_0 = 50\ \Omega$, $PRR \leq 5\ \text{MHz}$.
 B. Includes probe and jig capacitance.
 C. All diodes are 1N3064 or equivalent.
 D. The strobe inputs of SN75129 are in-phase with the output.
 E. $V_{ref1} = 0.7\ \text{V}$ and $V_{ref2} = 1.7\ \text{V}$ for testing data (A) inputs, $V_{ref1} = V_{ref2} = 1.3\ \text{V}$ for strobe inputs.

FIGURE 1

TYPICAL CHARACTERISTICS

VOLTAGE TRANSFER CHARACTERISTICS

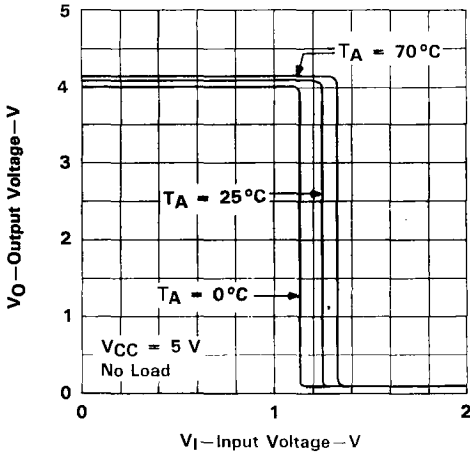


FIGURE 2

VOLTAGE TRANSFER CHARACTERISTICS FROM A INPUTS

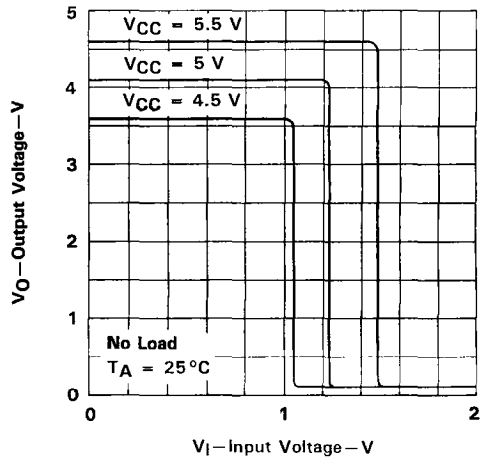


FIGURE 3

INPUT CURRENT
vs
INPUT VOLTAGE

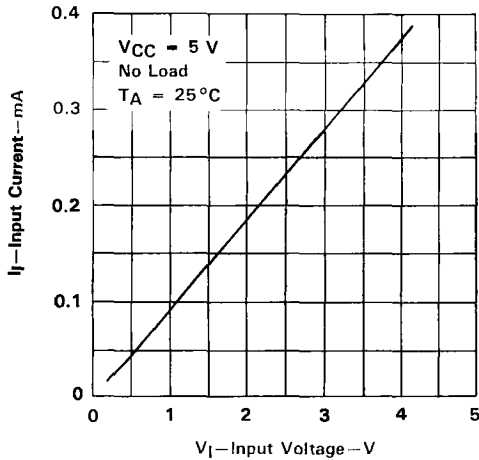


FIGURE 4

LOW-LEVEL OUTPUT VOLTAGE
vs
OUTPUT CURRENT

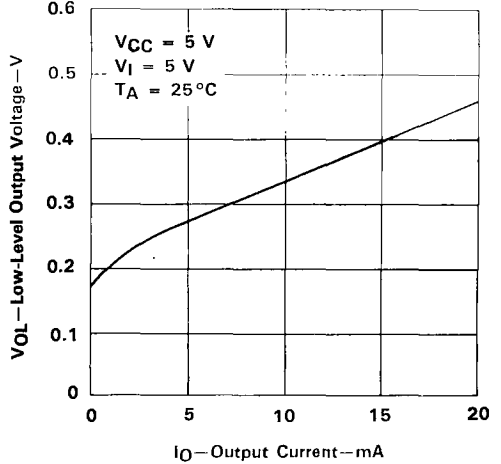
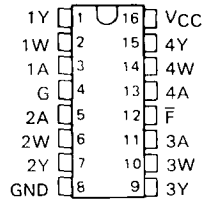


FIGURE 5

- Meets IBM 360/370 I/O Interface Specification GA22-6974-3 (Also see SN75ALS130)
- Minimum Output Voltage of 3.11 V at $I_{OH} = -60$ mA
- Fault-Flag Circuit Output Signals Driver Output Fault
- Fault-Detection Current-Limit Circuit Minimizes Power Dissipation During a Fault Condition
- Common Enable and Common Fault Flag
- Designed to Be an Improved Replacement for the MC3485

D, J, OR N PACKAGE
(TOP VIEW)



FUNCTION TABLE

G†	INPUTS				OUTPUTS			
	A	Y	F	W	A	Y	F	W
L	X	L	H	H	L	H	H	H
X	L	L	H	H	L	H	H	H
H	H	H	H	L	L	H	H	L
H	H	S	L	H	L	L	L	H

H = high level, L = low level, X = irrelevant, S = shorted to ground

†G and F are common to the four drivers. If any of the four Y outputs is shorted, the Fault-Flag will respond.

description

The SN75130 quadruple line driver is designed to meet the IBM 360/370 I/O specification GA22-6974-3. The output voltage is 3.11 V minimum (at $I_{OH} = -59.3$ mA) over the recommended ranges of supply voltage (4.5 V to 5.5 V) and temperature (0°C to 70°C). Driver outputs use a fault-detection current-limit circuit to allow high drive current but still minimize power dissipation when the output is shorted to ground. The SN75130 is compatible with standard TTL logic and supply voltages.

Fault-flag circuitry is designed to sense and signal a line short on any Y line. Upon detecting an output fault condition, the fault-flag circuit forces the driver output into the off (low) state and signals a fault condition by causing the fault-flag output to go low.

The SN75130 can drive a 50-Ω load as required in the IBM GA22-6974-3 specification or a 90-Ω load as used in many I/O systems. Optimum performance can be achieved when the device is used with either the SN75125, SN75127, SN75128, or SN75129 line receivers.

The SN75130 is characterized for operation from 0°C to 70°C.

IMPACT is a trademark of Texas Instruments Incorporated

PRODUCTION DATA documents contain information current as of publication date. Products conform to specifications per the terms of Texas Instruments standard warranty. Production processing does not necessarily include testing of all parameters.

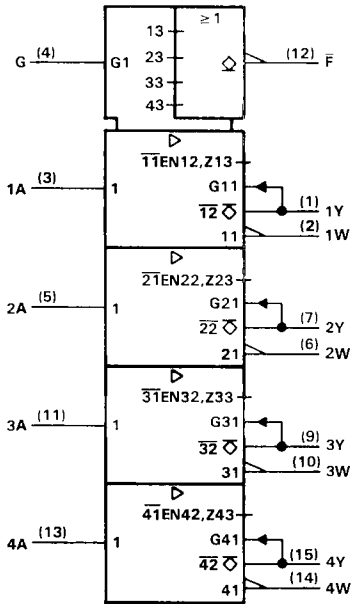


POST OFFICE BOX 655303 • DALLAS, TEXAS 75265

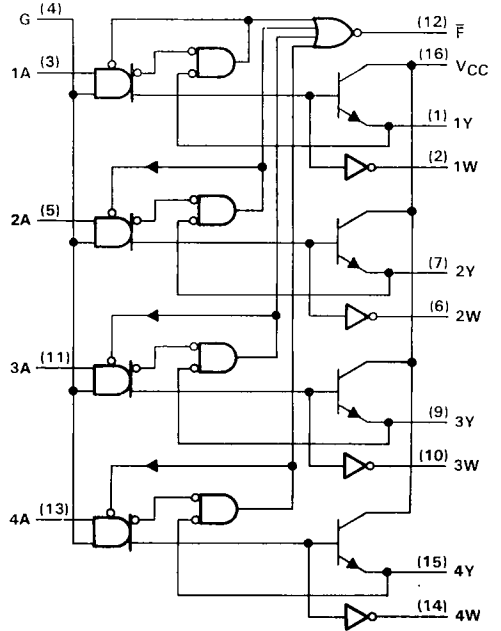
Copyright © 1990, Texas Instruments Incorporated

SN75130 QUADRUPLE LINE DRIVER

logic symbol†

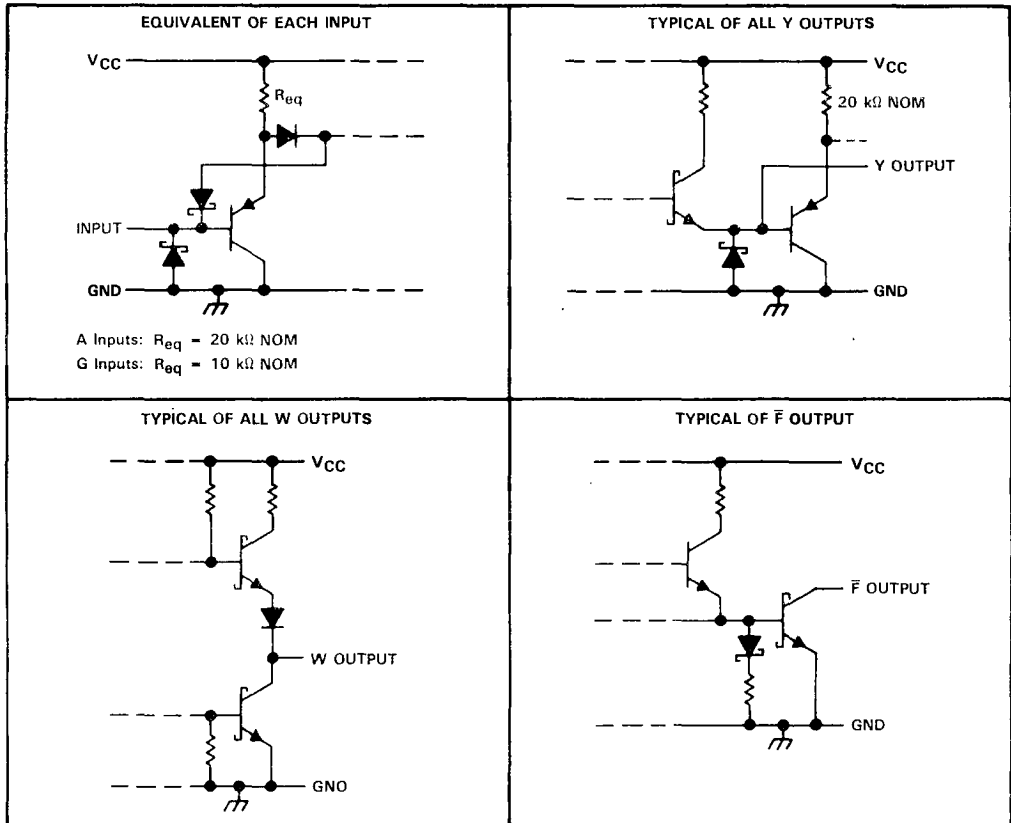


logic diagram (positive logic)



† This symbol is in accordance with ANSI/IEEE Std 91-1984 and IEC Publication 617-12

schematics of inputs and outputs



SN75130 QUADRUPLE LINE DRIVER

absolute maximum ratings over operating free-air temperature range (unless otherwise noted)

Supply voltage, V_{CC}	7 V
Input voltage	7 V
Continuous total dissipation at (or below): D package	950 mW
J package	1025 mW
N package	1150 mW
Operating free-air temperature range, T_A	0°C to 70°C
Storage temperature range	-65°C to 150°C
Lead temperature 1,6 mm (1/16 inch) from case for 10 seconds: D or N package	260°C
Lead temperature 1,6 mm (1/16 inch) from case for 60 seconds: J package	300°C

NOTE 1: For operation above 15°C free-air temperature, derate D package to 608 mW at 70°C at the rate of 7.6 mW/°C, the J package to 656 mW at 70°C at the rate of 8.2 mW/°C, and the N package to 736 mW at 70°C at the rate of 9.2 mW/°C.

recommended operating conditions

	MIN	NOM	MAX	UNIT
Supply voltage, V_{CC}	4.5	5	5.95	V
High-level input voltage, V_{IH}	2			V
Low-level input voltage, V_{IL}			0.8	V
High-level output current, I_{OH}			-	mA
Operating free-air temperature, T_A	0		∞	°C

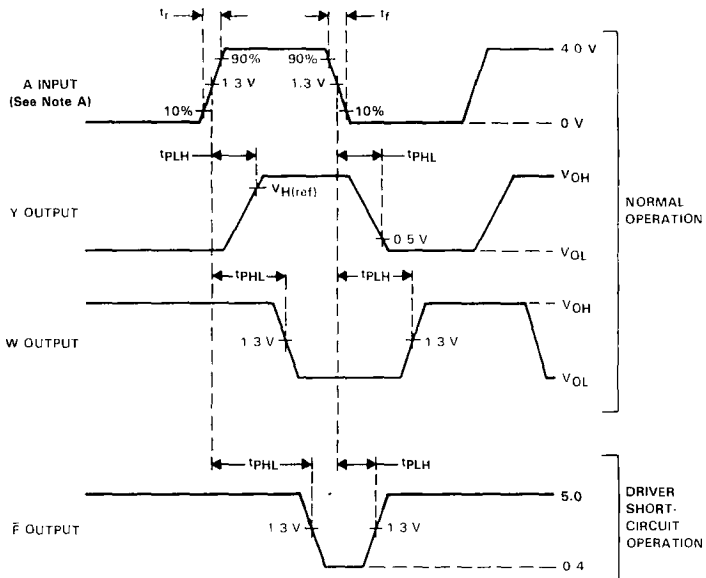
electrical characteristics over recommended operating free-air temperature range

PARAMETER		TEST CONDITIONS		MIN	MAX	UNIT
V_{IK}	Input clamp voltage	A, G	$I_I = -18$ mA		-1.5	V
V_{OH}	High-level output voltage	Y	$V_{CC} = 4.5$ V, $I_{OH} = -59.3$ mA, $V_{IH} = 2$ V	3.11		V
		Y	$V_{CC} = 5.25$ V, $I_{OH} = -41$ mA, $V_{IH} = 2$ V	3.9		
		W	$V_{CC} = 4.5$ V, $I_{OH} = -400$ μ A, $V_{IH} = 2$ V	2.5		
V_{OL}	Low-level output voltage	Y	$V_{CC} = 5.5$ V, $I_{OL} = -240$ μ A, $V_{IL} = 0.8$ V		0.15	V
		Y	$V_{CC} = 5.95$ V, $I_{OL} = -1$ mA, $V_{IL} = 0.8$ V		0.15	
		F	$V_{CC} = 4.5$ V, $I_{OL} = 8$ mA, Y at 0 V		0.5	
		W	$V_{CC} = 4.5$ V, $I_{OL} = 8$ mA		0.5	
$I_{O(off)}$	Off-state output current	Y	$V_{CC} = 4.5$ V, $V_{IL} = 0$, $V_O = 3.11$ V		100	μ A
		Y	$V_{CC} = 0$, $V_{IL} = 0$, $V_O = 3.11$ V		-	
I_{OH}	High-level output current	F	$V_{CC} = 5.95$ V, $V_{OH} = 5.95$ V		∞	μ A
I_I	Input current	A	$V_{CC} = 4.5$ V, $V_{IH} = 5.5$ V		100	μ A
		G	$V_{CC} = 4.5$ V, $V_{IH} = 5.5$ V		400	
I_{IH}	High-level input current	A	$V_{CC} = 4.5$ V, $V_{IH} = 2.7$ V		20	μ A
		G	$V_{CC} = 4.5$ V, $V_{IH} = 2.7$ V		80	
I_{IL}	Low-level input current	A	$V_{CC} = 5.95$ V, $V_{IL} = 0.4$ V		-	μ A
		G	$V_{CC} = 5.95$ V, $V_{IL} = 0.4$ V		-1000	
I_{OS}	Short-circuit output	Y	$V_{CC} = 5.5$ V, $V_O = 0$		-5	mA
		W	$V_{CC} = 5.5$ V, $V_O = 0$	-15	-100	
		Y	$V_{CC} = 5.95$ V, $V_O = 0$		-5	
		W	$V_{CC} = 5.95$ V, $V_O = 0$	-15	-110	
I_{CCH}	Supply current, all outputs, high		$V_{CC} = 5.5$ V, $V_I = 2$ V		75	mA
			$V_{CC} = 5.95$ V, $V_I = 2$ V		85	
I_{CCL}	Supply current, Y outputs low		$V_{CC} = 5.5$ V, $V_I = 0.8$ V		55	mA
			$V_{CC} = 5.95$ V, $V_I = 0.8$ V		70	

switching characteristics over recommended operating free-air temperature range

PARAMETER	FROM	TO	TEST CONDITIONS	MIN	MAX	UNIT
t_{PLH} Propagation delay time, low-to-high-level output	A	Y	$V_{CC} = 4.5\text{ V to }5.5\text{ V},$ $R_L = 50\ \Omega, \quad C_L = 50\text{ pF},$ $V_{H(ref)} = 3.11\text{ V}, \quad \text{input } f = 1\text{ MHz},$ See Figures 1 and 2		40	ns
t_{PHL} Propagation delay time, high-to-low-level output					37	ns
$\frac{t_{PLH}}{t_{PHL}}$ Ratio of propagation delay times				0.3	3	
t_{PLH} Propagation delay time, low-to-high-level output	A	Y	$V_{CC} = 5.25\text{ V to }5.95\text{ V},$ $R_L = 90\ \Omega, \quad C_L = 50\text{ pF},$ $V_{H(ref)} = 3.9\text{ V}, \quad \text{input } f = 5\text{ MHz},$ See Figures 1 and 2		45	ns
t_{PHL} Propagation delay time, high-to-low-level output					45	ns
t_{PLH} Propagation delay time, low-to-high-level output	A	W	$V_{CC} = 5\text{ V}, \quad R_L = 2\text{ k}\Omega,$ $C_L = 15\text{ pF},$ See Figures 1 and 2		45	ns
t_{PHL} Propagation delay time, high-to-low-level output					28	ns
t_{PLH} Propagation delay time, low-to-high-level output	A	\bar{F}	$V_{CC} = 5\text{ V}, \quad R_L = 2\text{ k}\Omega,$ $C_L = 15\text{ pF},$ See Figures 1 and 2		60	ns
t_{PHL} Propagation delay time, high-to-low-level output					100	ns

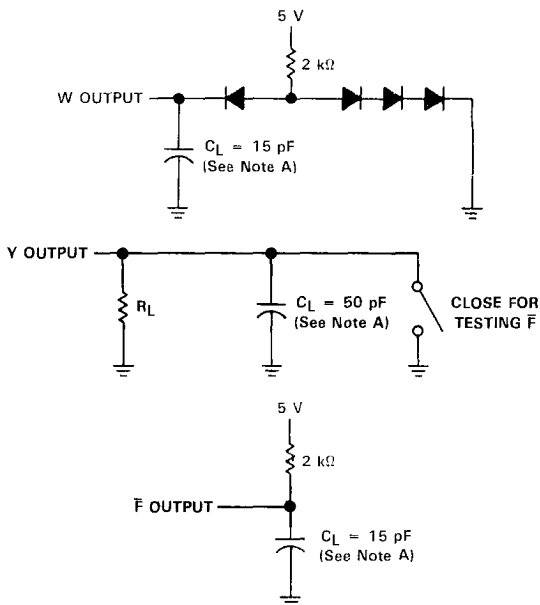
PARAMETER MEASUREMENT INFORMATION



NOTE A: The input pulse is supplied by a generator having the following characteristics: PRR = 1 MHz, duty cycle = 50%. $t_r \leq 6\text{ ns}$, $t_f \leq 6\text{ ns}$, $Z_{out} = 50\ \Omega$.

FIGURE 1. INPUT AND OUTPUT VOLTAGE WAVEFORMS

PARAMETER MEASUREMENT INFORMATION



NOTE A: C_L includes probe and stray capacitance.

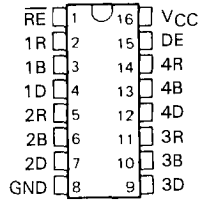
FIGURE 2. SWITCHING CHARACTERISTICS LOAD CIRCUITS

SN75136 QUADRUPLE BUS TRANSCEIVER WITH 3-STATE OUTPUTS

D2291, JANUARY 1977—REVISED SEPTEMBER 1986

- P-N-P Inputs for Minimal Input Loading (200 μ A Maximum)
- High-Speed Schottky Circuitry
- 3-State Outputs for Driver and Receiver
- Party-Line (Data-Bus) Operation
- Single 5-V Supply
- Driver Has 40-mA Current Sink Capability
- Designed to Be Functionally Interchangeable with Signetics N8T26, also Called 8T26

D, J, OR N PACKAGE
(TOP VIEW)



description

The SN75136 is a quadruple transceiver utilizing Schottky-diode-clamped transistors. Both the driver and receiver have 3-state outputs. With p-n-p inputs, the input loading is reduced to a maximum input current of 200 μ A.

The SN75136 is characterized for operation from 0°C to 70°C.

FUNCTION TABLE (DRIVER)

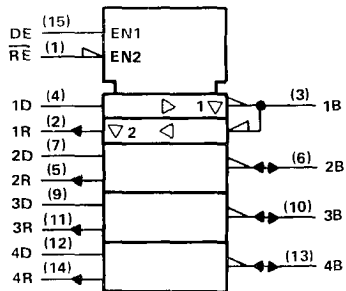
INPUTS		OUTPUT
D	DE	B
L	H	H
H	H	L
X	L	Z

FUNCTION TABLE (RECEIVER)

INPUTS		OUTPUT
B	RE	R
L	L	H
H	L	L
X	H	Z

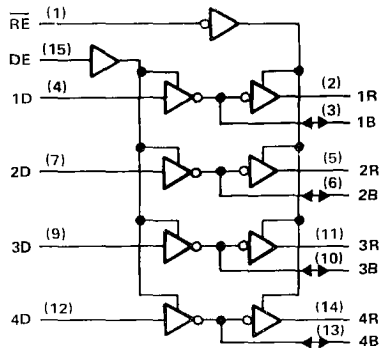
H = high level
L = low level
X = irrelevant
Z = high impedance

logic symbol†



† This symbol is in accordance with ANSI/IEEE Std 91-1984 and IEC Publication 617-12.

logic diagram (positive logic)



PRODUCTION DATA documents contain information current as of publication date. Products conform to specifications per the terms of Texas Instruments standard warranty. Production processing does not necessarily include testing of all parameters.

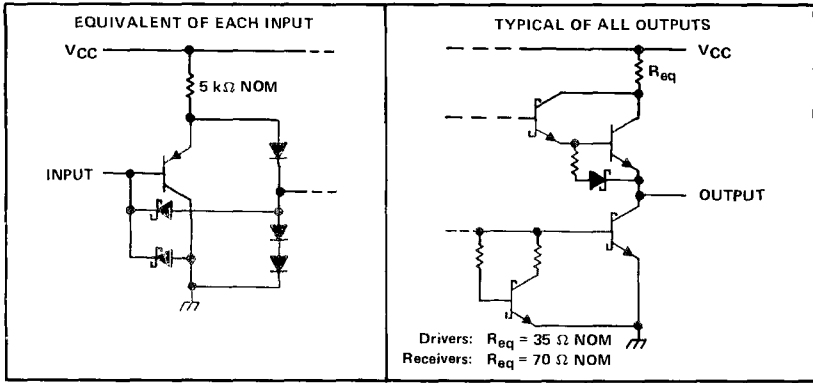


POST OFFICE BOX 655303 • DALLAS, TEXAS 75265

Copyright © 1986, Texas Instruments Incorporated

**SN75136
QUADRUPLE BUS TRANSCEIVER
WITH 3-STATE OUTPUTS**

schematics of inputs and outputs



absolute maximum ratings over operating free-air temperature range (unless otherwise noted)

Supply voltage, V_{CC} (see Note 1)	7 V
Input voltage	5.5 V
Continuous total power dissipation	See Dissipation Rating Table
Operating free-air temperature range	0°C to 70°C
Storage temperature range	-65°C to 150°C
Lead temperature 1,6 mm (1/16 inch) from case for 60 seconds: J package	300°C
Lead temperature 1,6 mm (1/16 inch) from case for 10 seconds: D or N package	260°C

NOTE 1: Voltage values are with respect to network ground terminal.

DISSIPATION RATING TABLE

PACKAGE	$T_A \leq 25^\circ\text{C}$	DERATING FACTOR	$T_A = 70^\circ\text{C}$
	POWER RATING	ABOVE $T_A = 25^\circ\text{C}$	POWER RATING
D	950 mW	7.6 mW/°C	mW
J	1025 mW	8.2 mW/°C	656 mW
N	1150 mW	9.2 mW/°C	736 mW

recommended operating conditions

		MIN	NOM	MAX	UNIT
Supply voltage, V_{CC}		4.75	5	5.25	V
High-level input voltage, V_{IH}	B, D, DE, \overline{RE}	2			V
Low-level input voltage, V_{IL}	B, D, DE, \overline{RE}			0.85	V
High-level output current, I_{OH}	Driver, B			-10	mA
	Receiver, R			-2	
Low-level output current, I_{OL}	Driver, B			40	mA
	Receiver, R			16	
Operating free-air temperature, T_A		0		70	°C



SN75136
**QUADRUPLE BUS TRANSCEIVER
 WITH 3-STATE OUTPUTS**

electrical characteristics over recommended operating free-air temperature and supply voltage range (unless otherwise noted)

PARAMETER		TEST CONDITIONS		MIN	TYP [†]	MAX	UNIT
V _{IK}	Input clamp voltage	B,D,DE,RE	I _I = -5 mA			-1	V
V _{OH}	High-level output voltage	B	V _{IH} = 2 V, V _{IL} = 0.85 V, I _{OH} = -10 mA	2.6	3.1		V
		R	V _{IL} = 0.85 V, I _{OH} = -2 mA	2.6	3.1		
V _{OL}	Low-level output voltage	B	V _{IH} = 2 V, I _{OL} = 40 mA			0.5	V
		R	V _{IH} = 2 V, V _{IL} = 0.85 V, I _{OL} = 16 mA			0.5	
I _{OZ}	Off-state (high-impedance state) output current	B,R	DE at 0.85 V, RE at 2 V, V _O = 2.6 V				μA
		R	RE at 2 V, V _O = 0.5 V			-	
I _{IH}	High-level input current	D,DE,RE	V _I = 5.25 V			25	μA
I _{IL}	Low-level input current	B,D,DE,RE	V _I = 0.4 V			-200	μA
I _{OS}	Short-circuit output current [‡]	B	V _{CC} = 5.25 V	-50		-150	mA
		R		-30		-75	
I _{CC}	Supply current		V _{CC} = 5.25 V, No load			87	mA

switching characteristics, V_{CC} = 5 V, T_A = 25°C

PARAMETER		FROM	TO	TEST CONDITIONS	MIN	TYP	MAX	UNIT
t _{PLH}	Propagation delay time, low-to-high-level output	B	R	C _L = 30 pF, See Figure 1		8	18	ns
t _{PHL}	Propagation delay time, high-to-low-level output					7	14	
t _{PLH}	Propagation delay time, low-to-high-level output	D	B	C _L = 300 pF, See Figure 2		11	20	ns
t _{PHL}	Propagation delay time, high-to-low-level output					16	24	
t _{PLZ}	Output disable time from low level	RE	R	C _L = 30 pF, See Figure 3		16	24	ns
t _{PZL}	Output enable time to low level					15	30	
t _{PLZ}	Output disable time from low level	DE	B	C _L = 300 pF, See Figure 4		9	24	ns
t _{PZL}	Output enable time to low level					31	38	

[†]All typical values are at T_A = 25°C and V_{CC} = 5 V.

[‡]Only one output should be shorted to ground at a time, and duration of the short circuit should not exceed one second.

**SN75136
 QUADRUPLE BUS TRANSCEIVER
 WITH 3-STATE OUTPUTS**

PARAMETER MEASUREMENT INFORMATION

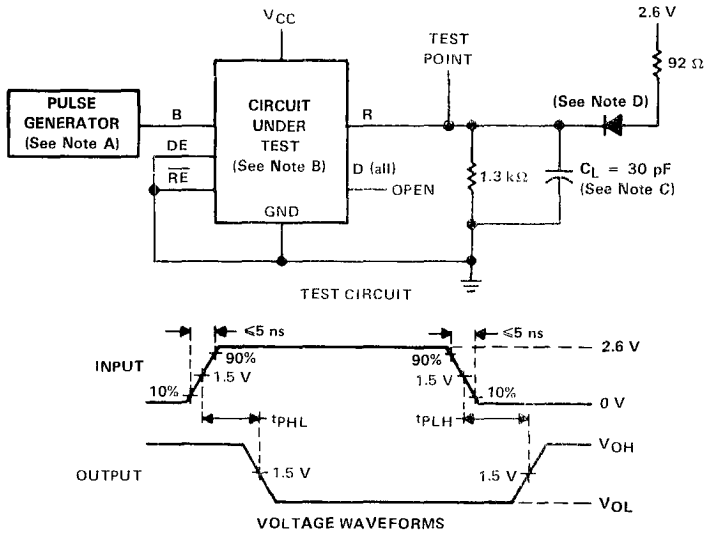


FIGURE 1. PROPAGATION DELAY TIMES FROM BUS TO RECEIVER OUTPUT

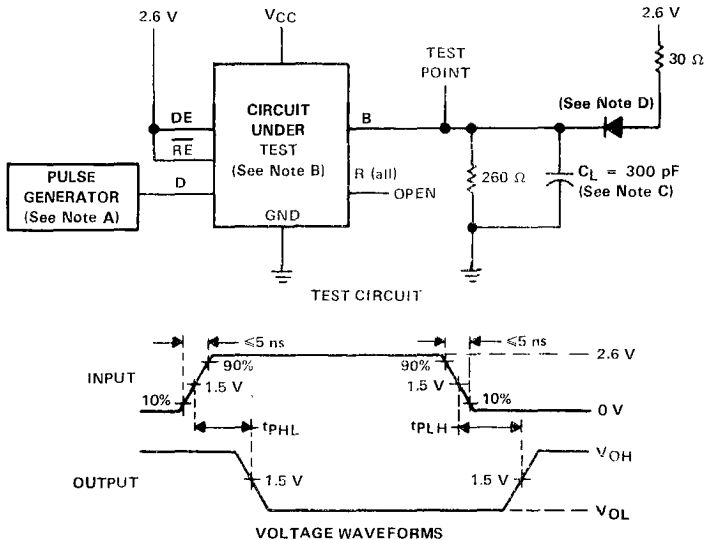
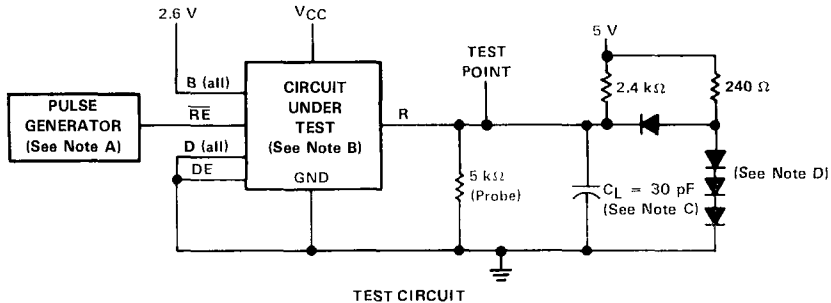


FIGURE 2. PROPAGATION DELAY TIMES FROM DRIVER INPUT TO BUS

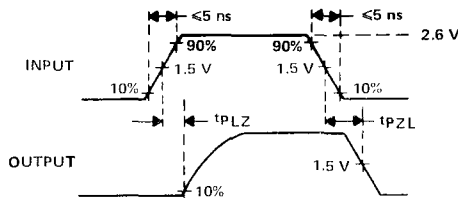
- NOTES: A. The pulse generator in Figures 1 and 2 has the following characteristics: $PRR \leq 10\text{ MHz}$, duty cycle = 50%, $Z_o \approx 50\ \Omega$.
 B. All inputs and outputs not shown are open.
 C. C_L includes probe and jig capacitance
 D. All diodes are 1N916 or 1N3064.



PARAMETER MEASUREMENT INFORMATION

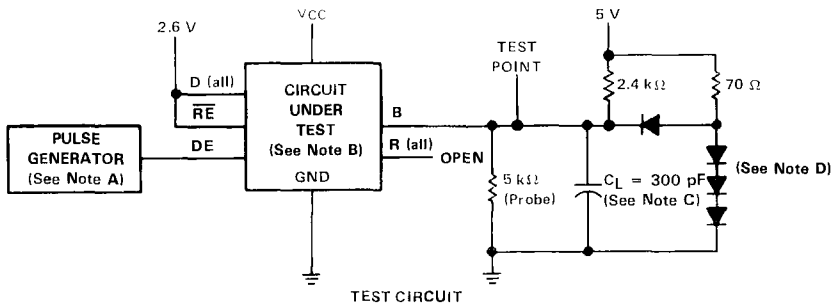


TEST CIRCUIT

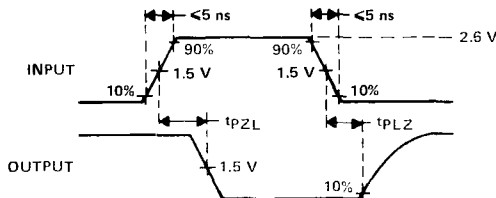


VOLTAGE WAVEFORMS

FIGURE 3. RECEIVER ENABLE AND DISABLE TIMES



TEST CIRCUIT



VOLTAGE WAVEFORMS

FIGURE 4. DRIVER ENABLE AND DISABLE TIMES

- NOTES: A. The pulse generator in Figures 3 and 4 has the following characteristics: PRR \leq 5 MHz, duty cycle = 50%, $Z_0 \approx 50 \Omega$.
 B. All inputs and outputs now shown are open.
 C. C_L includes probe and jig capacitance.
 D. All diodes are 1N916 or 1N3064.

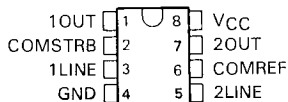
SN75140, SN75141 DUAL LINE RECEIVERS

D2155, JANUARY 1977—REVISED OCTOBER 1986

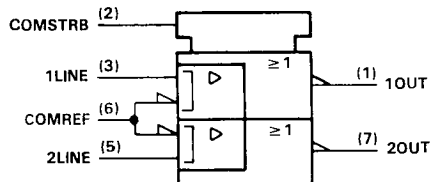
- Single 5-V Supply
- ± 100 mV Sensitivity
- For Application As:
 - Single-Ended Line Receiver
 - Gated Oscillator
 - Level Comparator
- Adjustable Reference Voltage
- TTL Outputs
- TTL-Compatible Strobe
- Designed for Party-Line (Data-Bus) Applications
- Common Reference Pin
- Common Strobe
- '141 Has Diode-Protected Input Stage for Power-Off Condition

D, JG, OR P PACKAGE

(TOP VIEW)

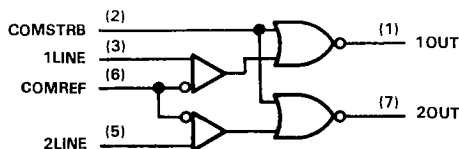


logic symbol†



† This symbol is in accordance with ANSI/IEEE Std 91-1984 and IEC Publication 617-12.

logic diagram (positive logic)



FUNCTION TABLE

I · · H R I · · I · E R)

LINE INPUTS	COMMON STROBE	OUTPUT
$\leq V_{ref} - 100$ mV	L	H
$\geq V_{ref} + 100$ mV	X	L
X	H	L

H = high level, L = low level, X = irrelevant

description

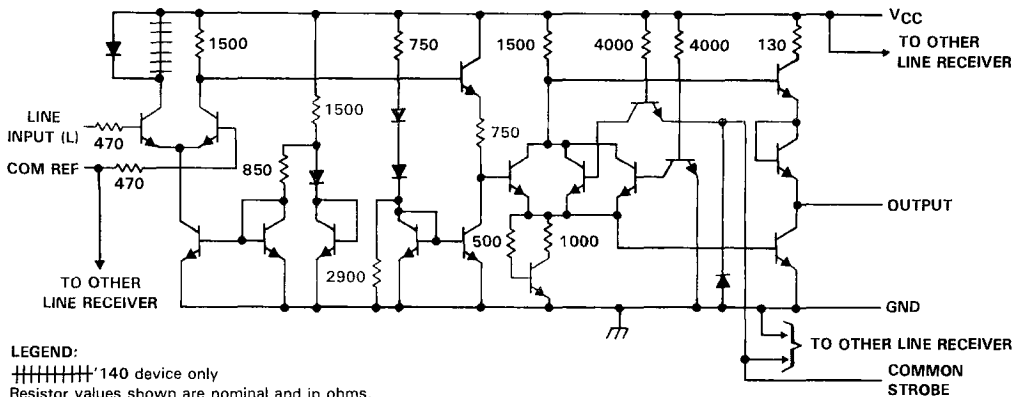
Each of these devices consists of a dual single-ended line receiver with TTL-compatible strobes and outputs. The reference voltage (switching threshold) is applied externally and can be adjusted from 1.5 V to 3.5 V, making it possible to optimize noise immunity for a given system design. Due to their low input current (less than 100 μ A), they are ideally suited for party-line (bus-organized) systems.

The '140 has a common reference voltage pin and a common strobe. The '141 is the same as the '140 except that the input stage is diode protected.

The SN75140 and SN75141 are characterized for operation from 0°C to 70°C.

SN75140, SN75141 DUAL LINE RECEIVERS

schematic (each receiver)



absolute maximum ratings over operating free-air temperature range (unless otherwise noted)

Supply voltage, V_{CC} (see Note 1)	7 V
Reference input voltage, V_{ref}	5.5 V
Line input voltage range with respect to ground	-2 V to 5.5 V
Line input voltage with respect to V_{ref}	± 5 V
Strobe input voltage	5.5 V
Continuous total power dissipation	See Dissipation Rating Table
Operating free-air temperature range	0°C to 70°C
Storage temperature range	-65°C to 150°C
Lead temperature 1,6 mm (1/16 inch) from case for 60 seconds: JG package	300°C
Lead temperature 1,6 mm (1/16 inch) from case for 10 seconds: D or P package	260°C

NOTE 1: Unless otherwise specified, voltage values are with respect to network terminal.

DISSIPATION RATING TABLE

PACKAGE	$T_A \leq 25^\circ\text{C}$	DERATING FACTOR	
	POWER RATING	ABOVE $T_A = 25^\circ\text{C}$	
D	725 mW	5.8 mW/°C	464 mW
JG	1050 mW	8.4 mW/°C	672 mW
P	1000 mW	8.0 mW/°C	640 mW

recommended operating conditions

	MIN	NOM	MAX	UNIT
Supply voltage, V_{CC}	4.5	5	5.5	V
Reference input voltage, V_{ref}	1.5		3.5	V
High-level line input voltage, $V_{IH(L)}$	$V_{ref} + 0.1$		$V_{CC} - 1$	V
Low-level line input voltage, $V_{IL(L)}$	0		$V_{ref} - 0.1$	V
High-level strobe input voltage, $V_{IH(S)}$	2		5.5	V
Low-level strobe input voltage, $V_{IL(S)}$	0		0.8	V



electrical characteristics over recommended operating free-air temperature range, $V_{CC} = 5 V \pm 10\%$, $V_{ref} = 1.5 V$ to $3.5 V$ (unless otherwise noted)

PARAMETER		TEST CONDITIONS	MIN	TYP [†]	MAX	UNIT	
$V_{IK(S)}$	Strobe input clamp voltage	$I_{I(S)} = -12 \text{ mA}$			-1.5	V	
V_{OH}	High-level output voltage	$V_{IL(L)} = V_{ref} - 100 \text{ mV}$, $V_{IL(S)} = 0.8 \text{ V}$, $I_{OH} = -400 \mu\text{A}$	2.4			V	
V_{OL}	Low-level output voltage	$V_{IH(L)} = V_{ref} + 100 \text{ mV}$, $V_{IL(S)} = 0.8 \text{ V}$, $I_{OL} = 16 \text{ mA}$			0.4	V	
		$V_{IL(L)} = V_{ref} - 100 \text{ mV}$, $V_{IH(S)} = 2 \text{ V}$, $I_{OL} = 16 \text{ mA}$			0.4		
$I_{I(S)}$	Strobe input current at maximum input voltage	$V_{I(S)} = 5.5 \text{ V}$			1	mA	
					2		
I_{IH}	High-level input current	Strobe			40	μA	
			Com strb				80
		Line input	$V_{I(L)} = 3.5 \text{ V}$, $V_{ref} = 1.5 \text{ V}$		35		100
			Reference		35		100
		Com ref	$V_{I(L)} = 0$, $V_{ref} = 3.5 \text{ V}$		70		200
I_{IL}	Low-level input current	Strobe			-1.6	mA	
			Com strb	$V_{I(S)} = 0.4 \text{ V}$			-3.2
		Line input	$V_{I(L)} = 0$, $V_{ref} = 1.5 \text{ V}$			-10	μA
			Reference			-10	
		Com ref	$V_{I(L)} = 1.5 \text{ V}$, $V_{ref} = 0$			-20	
I_{OS}	Short-circuit output current [‡]	$V_{CC} = 5.5 \text{ V}$	-18		-55	mA	
I_{CCH}	Supply current, output high	$V_{I(S)} = 0$, $V_{I(L)} = V_{ref} - 100 \text{ mV}$		18	30	mA	
I_{CCL}	Supply current, output low	$V_{I(S)} = 0$, $V_{I(L)} = V_{ref} + 100 \text{ mV}$		20	35	mA	

[†] All typical values are at $V_{CC} = 5 \text{ V}$, $T_A = 25^\circ\text{C}$.

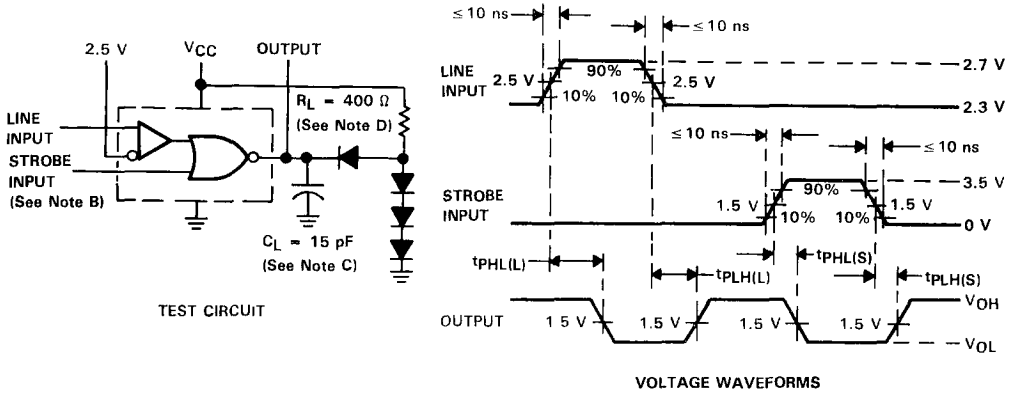
[‡] Only one output should be shorted at a time.

switching characteristics, $V_{CC} = 5 \text{ V}$, $V_{ref} = 2.5 \text{ V}$, $T_A = 25^\circ\text{C}$

PARAMETER		TEST CONDITIONS	MIN	TYP	MAX	UNIT
$t_{PLH(L)}$	Propagation delay time, low-to-high-level output from line input	$C_L = 15 \text{ pF}$, $R_L = 400 \Omega$, See Figure 1		22	35	ns
$t_{PHL(L)}$	Propagation delay time, high-to-low-level output from line input			22	30	
$t_{PLH(S)}$	Propagation delay time, low-to-high-level output from strobe input			12	22	ns
$t_{PHL(S)}$	Propagation delay time, high-to-low-level output from strobe input			8	15	

**SN75140, SN75141
DUAL LINE RECEIVERS**

PARAMETER MEASUREMENT INFORMATION



- NOTES: A. Input pulses are supplied by generators having the following characteristics: PRR $\leq 1 \text{ MHz}$, duty cycle $\leq 50\%$, $Z_0 = 50 \Omega$.
 B. Unused strobes are to be grounded.
 C. C_L includes probe and jig capacitance.
 D. All diodes are 1N3064.

FIGURE 1

TYPICAL CHARACTERISTICS

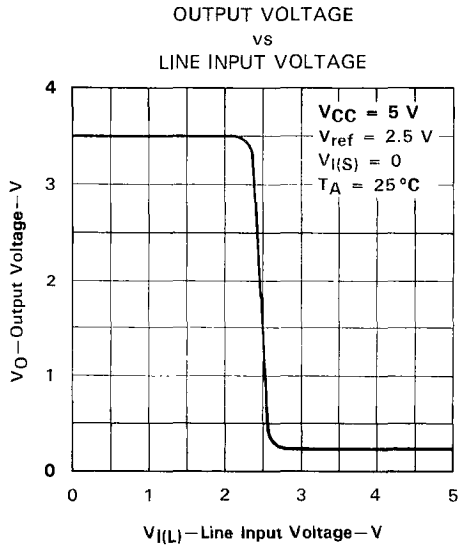
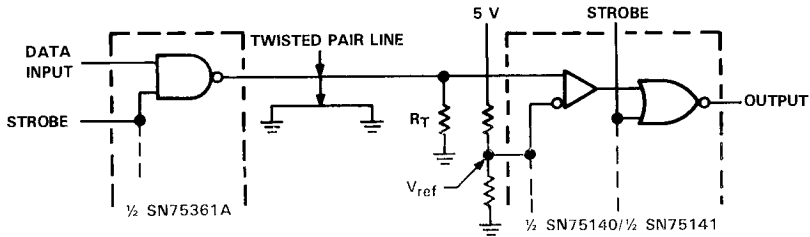


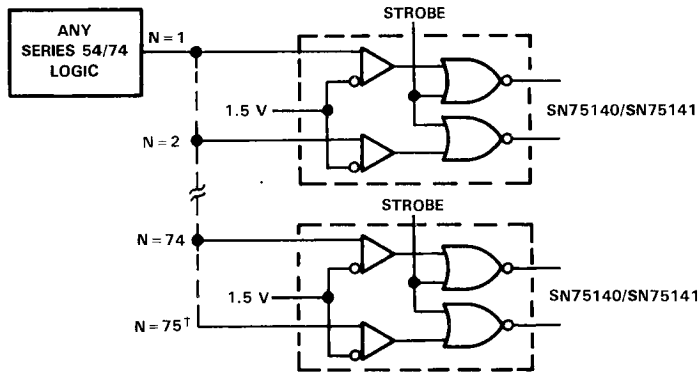
FIGURE 2

APPLICATION INFORMATION

line receiver

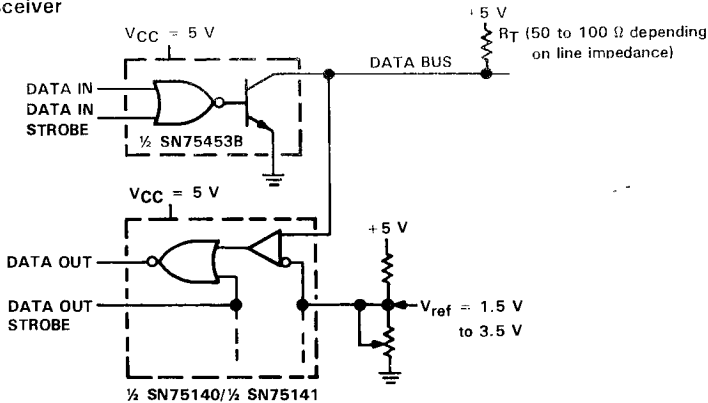


high fan-out from standard TTL gate



† Although most Series 54/74 circuits have a 2.4-V output at 400 μ A, they are typically capable of maintaining a 2.4-V output level under a load of 7.5 mA.

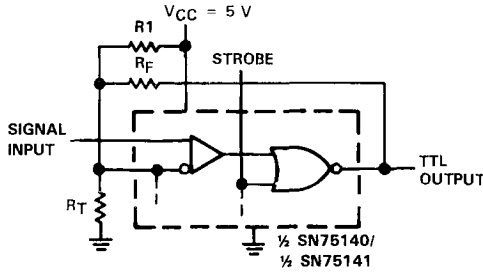
dual bus transceiver



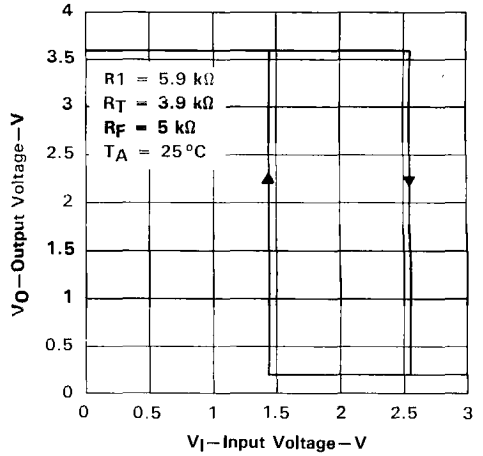
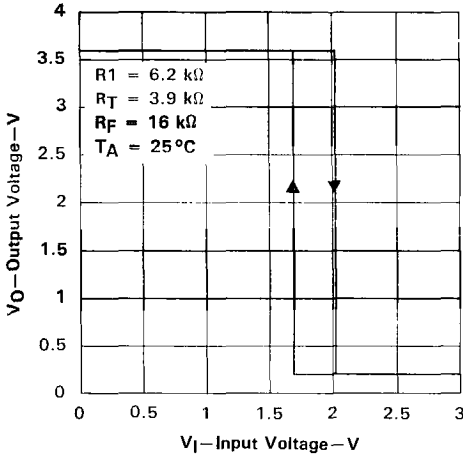
Using this arrangement, as many as 100 transceivers can be connected to a single data bus. The adjustable reference voltage feature allows the noise margin to be optimized for a given system. The complete dual bus transceiver (SN75453B driver and SN75140 receiver) can be assembled in approximately the same space required by a single 16-pin package and only one power supply is required (+5 V). Data In and Data Out terminals are TTL compatible.

APPLICATION INFORMATION

Schmitt trigger



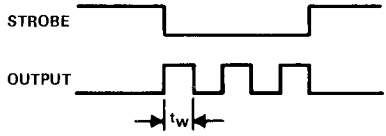
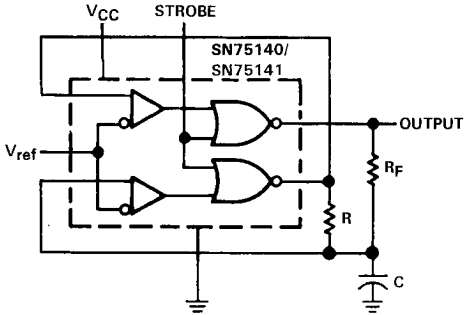
EXAMPLES OF TRANSFER CHARACTERISTICS



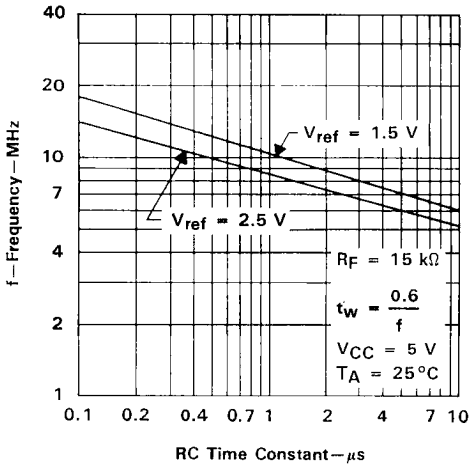
Slowly changing input levels from data lines, optical detectors, and other types of transducers may be converted to standard TTL signals with this Schmitt trigger circuit. R₁, R_F, and R_T may be adjusted for the desired hysteresis and trigger levels.

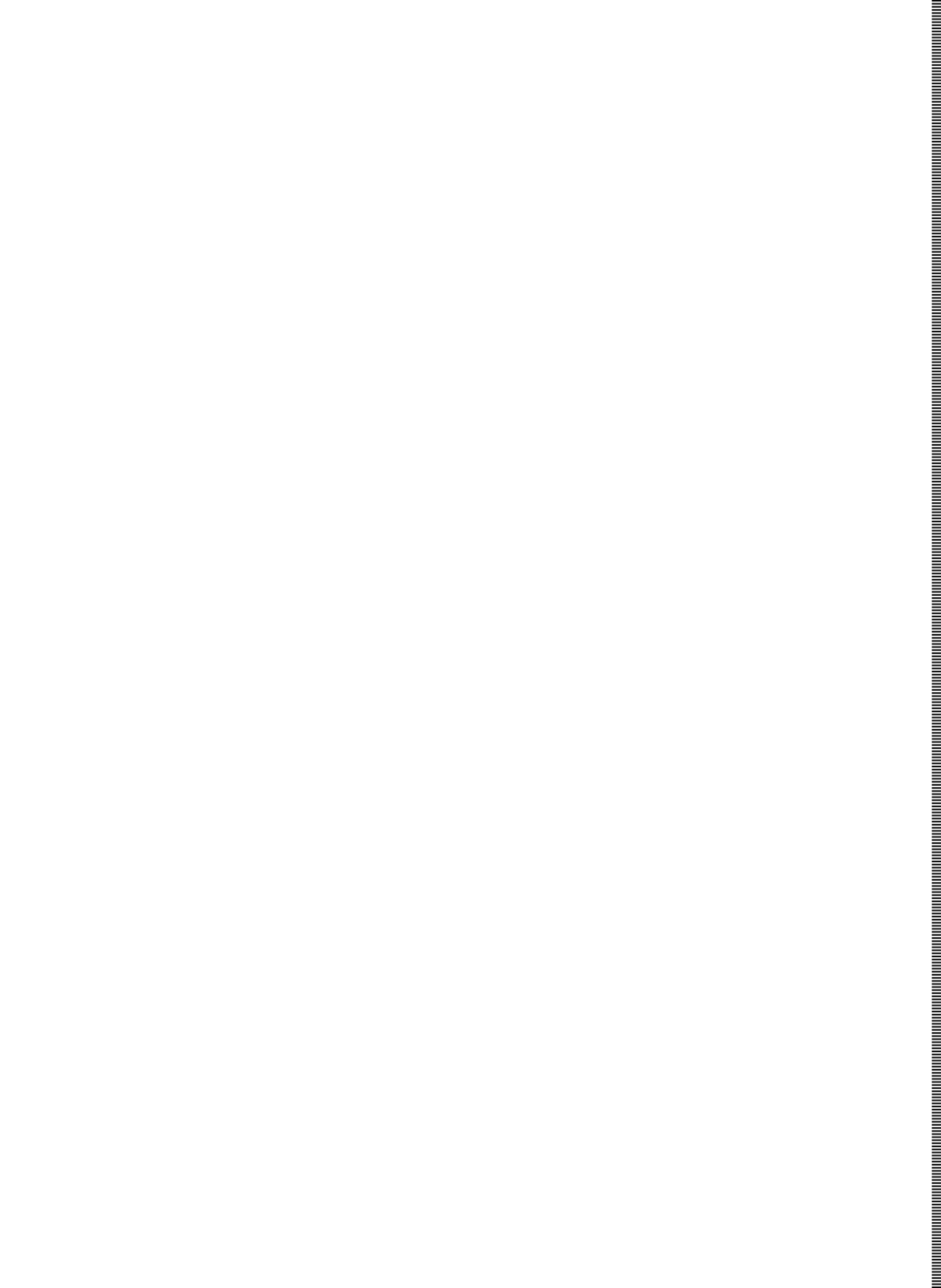
APPLICATION INFORMATION

gated oscillator



OSCILLATOR FREQUENCY
vs
RC TIME CONSTANT



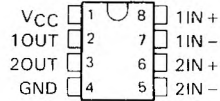


SN75146 DUAL DIFFERENTIAL LINE RECEIVER

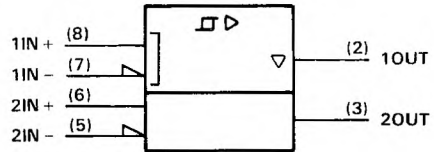
D2609, FEBRUARY 1986

- Meets EIA Standards RS-422-A and RS-423-A
- Meets EIA Standards RS-232 and CCITT V.28 with External Components
- Meets Federal Standards 1020 and 1030
- Built-in 5-MHz Low-Pass Filter
- Operates from Single 5-V Power Supply
- Wide Common-Mode Voltage Range
- High Input Impedance
- TTL-Compatible Outputs
- 8-Pin Dual-In-Line Package
- Pinout Compatible with the μ A9637 and μ A9639

D, JG, OR P PACKAGE
(TOP VIEW)



logic symbol[†]



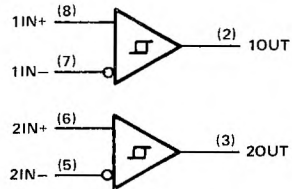
[†] This symbol is in accordance with ANSI/IEEE Std 91-1984 and IEC Publication 617-12.

description

The SN75146 is a dual differential line receiver designed to meet EIA standards RS-422-A and RS-423-A. The receiver is designed to have a constant impedance with input voltages of ± 3 volts to ± 25 volts allowing it to meet the requirements of EIA standard RS-232-C and CCITT recommendation V.28 with the addition of an external bias resistor. This receiver is designed for low-speed operation below 355 kilohertz, and has a built-in 5-megahertz low-pass filter to attenuate high-frequency noise. The inputs are compatible with either a single-ended or a differential line system and the outputs are TTL compatible. This device operates from a single 5-volt power supply and is supplied in both the 8-pin dual-in-line and small outline packages.

The SN75146 is characterized for operation from 0°C to 70°C.

logic diagram



PRODUCTION DATA documents contain information as of publication date. Products conform to specifications per the terms of Texas Instruments standard warranty. Production processing does not necessarily include testing of all parameters.

TEXAS
INSTRUMENTS

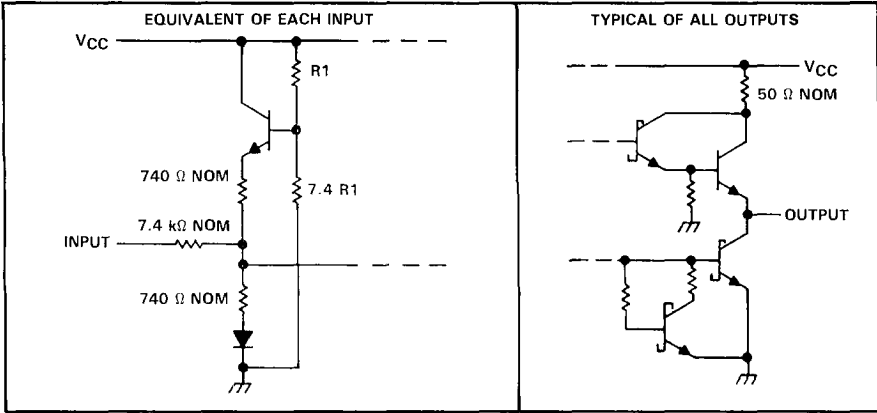
POST OFFICE BOX 655303 • DALLAS, TEXAS 75265

Copyright © 1986, Texas Instruments Incorporated

2-453

SN75146 DUAL DIFFERENTIAL LINE RECEIVER

schematics of inputs and outputs



absolute maximum ratings over operating free-air temperature range (unless otherwise noted)

Supply voltage, V_{CC} (see Note 1)	-0.5 V to 7 V
Input voltage	± 25 V
Differential input voltage (see Note 2)	± 25 V
Output voltage (see Note 1)	-0.5 V to 5.5 V
Low-level output current	50 mA
Continuous total dissipation at (or below) 25°C free-air temperature (see Note 3):	
D package	725 mW
JG package	825 mW
P package	1000 mW
Operating free-air temperature range	0°C to 70°C
Storage temperature range	-65°C to 150°C
Lead temperature 1,6 mm (1/16 inch) from case for 60 seconds: JG package	300°C
Lead temperature 1,6 mm (1/16 inch) from case for 10 seconds: D and P package	260°C

- NOTES: 1. All voltage values, except differential input voltage, are with respect to the network ground terminal.
 2. Differential input voltage is measured at the noninverting input with respect to the corresponding inverting input.
 3. For operation above 25°C free-air temperature, derate the JG package to 528 mW at 70°C at the rate of 6.6 mW/°C, the D package to 464 mW at 70°C at the rate of 5.8 mW/°C, and the P package to 640 mW at 70°C at the rate of 8 mW/°C. The SN75146 chips are glass mounted in the JG package.

recommended operating conditions

	MIN	NOM	MAX	UNIT
Supply voltage, V_{CC}	4.75	5	5.25	V
Common-mode input voltage, V_{IC}			± 7	V
Operating free-air temperature, T_A	0	25	70	°C

electrical characteristics over recommended ranges of supply voltage, common-mode input voltage, and operating free-air temperature (unless otherwise noted)

PARAMETER	TEST CONDITIONS	MIN	TYP [†]	MAX	UNIT
V_T Threshold voltage (V_{T+} and V_{T-})	See Note 4	-0.2 [‡]		0.2	V
V_{Hys} Hysteresis ($V_{T+} - V_{T-}$)		70			mV
V_{IB} Input bias voltage	$I_I = 0$	2		2.4	V
V_{OH} High-level output voltage	$V_{ID} = 0.2$ V, $I_O = -1$ mA	2.5	3.5		V
V_{OL} Low-level output voltage	$V_{ID} = -0.2$ V, $I_O = 20$ mA		0.35	0.5	V
r_i Input resistance	See Note 5, $V_I = 3$ V to 25 V or $V_I = -3$ V to -25 V	6	7.8	9.5	k Ω
I_I Input current	$V_{CC} = 0$ to 5.5 V, See Note 6, $V_I = 10$ V		1.1	3.25	mA
	$V_I = -10$ V		-1.6	-3.25	mA
I_{OS} Short-circuit output current ⁵	$V_O = 0$, $V_{ID} = 0.2$ V	-40	-75	-100	mA
I_{CC} Supply current	$V_{ID} = -0.5$ V, No load		35	50	mA

[†] All typical values are at $V_{CC} = 5$ V, $T_A = 25^\circ\text{C}$.

[‡] The algebraic convention, in which the less positive (more negative) limit is designated as minimum, is used in this data sheet for threshold levels only.

⁵ Only one output should be shorted at a time, and duration of the short-circuit should not exceed one second.

NOTES: 4. The expanded threshold parameter is tested with a 500- Ω resistor in series with each input.

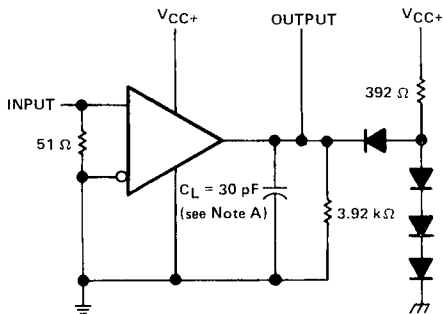
5. r_i is defined by $\Delta V_I / \Delta I_I$.

6. The input not under test is grounded.

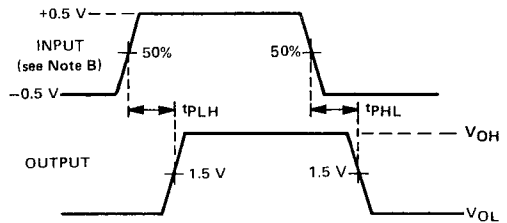
switching characteristics, $V_{CC} = 5$ V, $T_A = 25^\circ\text{C}$

PARAMETER	TEST CONDITION	MIN	TYP	MAX	UNIT
t_{PLH} Propagation delay time, low-to-high-level output	$C_L = 30$ pF, See Figure 1	100	150		ns
t_{PHL} Propagation delay time, high-to-low-level output		100	150		ns

PARAMETER MEASUREMENT INFORMATION



TEST CIRCUIT



VOLTAGE WAVEFORM

NOTES: A. C_L includes probe and jig capacitance.

B. The input pulse is supplied by a generator having the following characteristics: $t_r \leq 5$ ns, $t_f \leq 5$ ns, $PRR \leq 300$ kHz, duty cycle = 50%.

FIGURE 1. TRANSITION TIMES

SN75146
DUAL DIFFERENTIAL LINE RECEIVER

TYPICAL CHARACTERISTICS

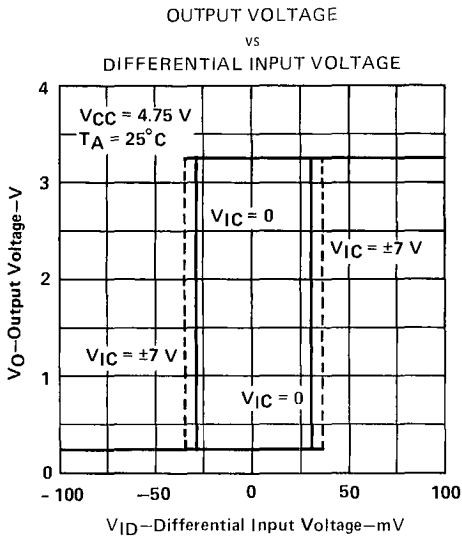


FIGURE 2

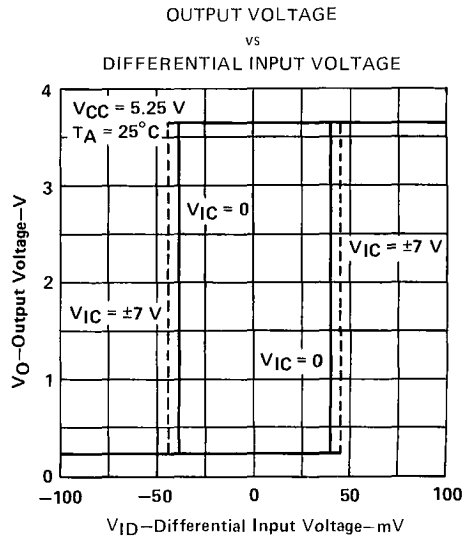
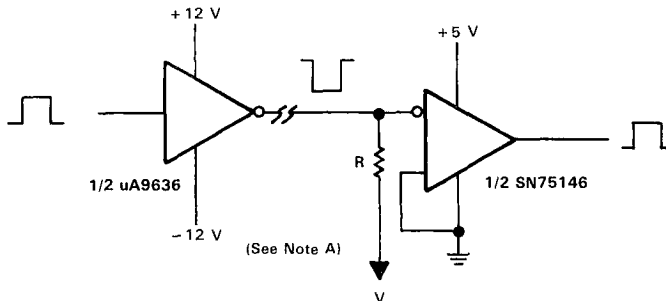


FIGURE 3

TYPICAL APPLICATION DATA



NOTE A: In order to meet the input-impedance and open-circuit-input voltage requirements of RS-232-C and CCITT V.28 and guarantee open-circuit-input failsafe operation, R and V are selected to satisfy the following equations:

$$V = -1.1 - 3.3 \frac{R}{r_i} \text{ volts}$$

$$3 \text{ k}\Omega \leq \frac{R(r_f)}{R + r_i} \leq 7 \text{ k}\Omega$$

FIGURE 4. RS-232-C SYSTEM APPLICATIONS

TYPICAL APPLICATION DATA

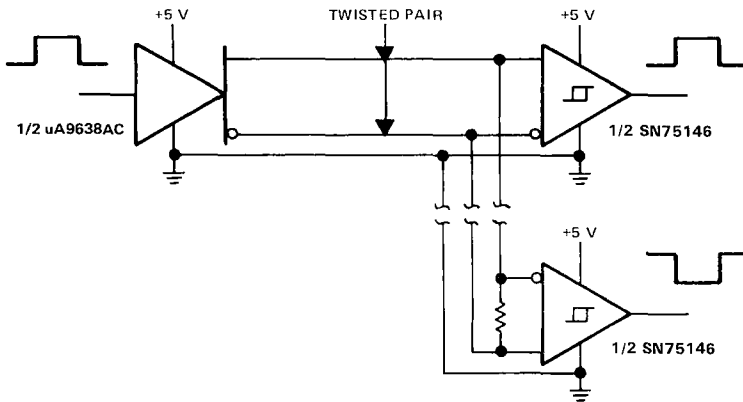


FIGURE 5. RS-422-A SYSTEM APPLICATIONS

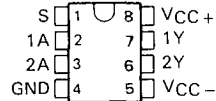


SN75150 DUAL LINE DRIVER

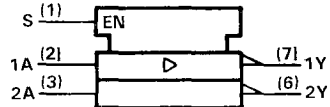
D951, JANUARY 1971—REVISED MAY 1990

- Satisfies Requirement of EIA Standard RS-232-C
- Withstands Sustained Output Short-Circuit to any Low-Impedance Voltage Between -25 V and 25 V
- 2- μ s Max Transition Time Through the 3 V to -3 V Transition Region Under Full 2500-pF Load
- Inputs Compatible With Most TTL Families
- Common Strobe Input
- Inverting Output
- Slew Rate Can Be Controlled With an External Capacitor at the Output
- Standard Supply Voltages . . . ± 12 V

D, JG, OR P PACKAGE
(TOP VIEW)



logic symbol†



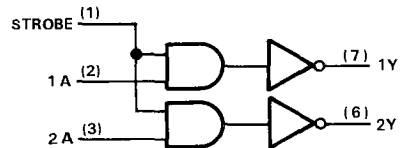
† This symbol is in accordance with ANSI/IEEE Std 91-1984 and IEC publication 617-12.

description

The SN75150 is a monolithic dual line driver designed to satisfy the requirements of the standard interface between data terminal equipment and data communication equipment as defined by EIA standard RS-232-C. A rate of 20,000 bits per second can be transmitted with a full 2500-pF load. Other applications are in data-transmission systems using relatively short single lines, in level translators, and for driving MOS devices. The logic input is compatible with most TTL families. Operation is from 12-V and -12-V power supplies.

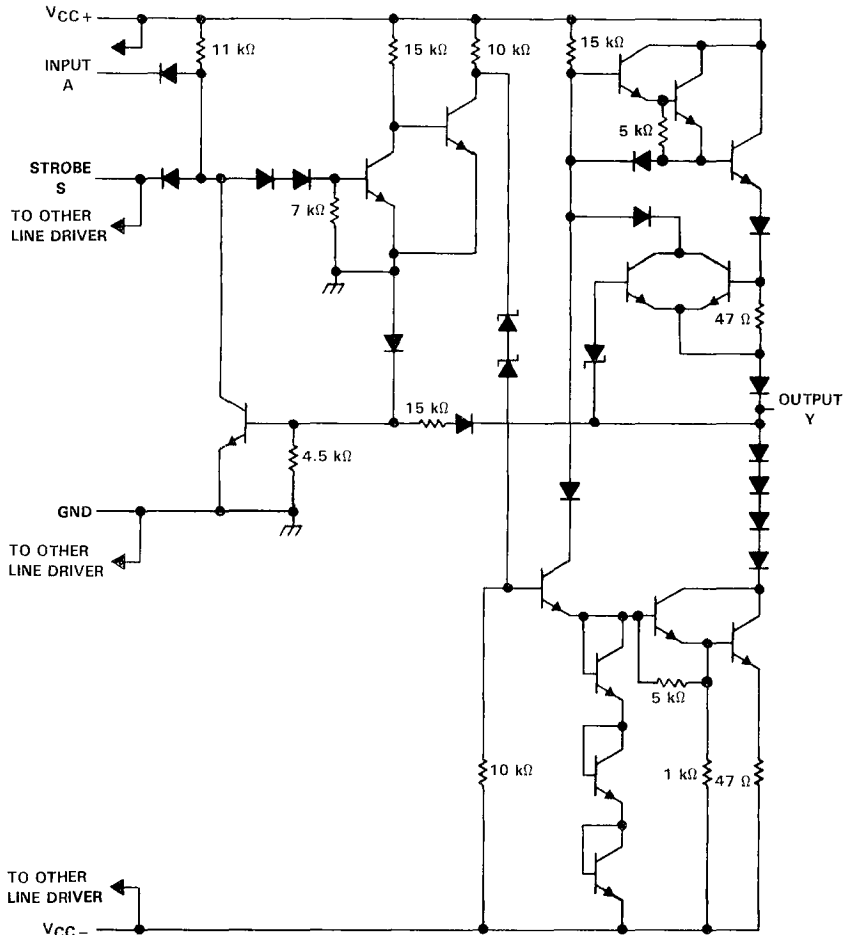
The SN75150 is characterized for operation from 0°C to 70°C.

logic diagram (positive logic)



SN75150 DUAL LINE DRIVER

schematic (each line driver)



Resistor values shown are nominal.

absolute maximum ratings over operating free-air temperature range (unless otherwise noted)

Supply voltage, V_{CC+} (see Note 1)	15 V
Supply voltage, V_{CC-}	- 15 V
Input voltage	15 V
Applied output voltage	± 25 V
Continuous total power dissipation	See Dissipation Rating Table
Operating free-air temperature range	0°C to 70°C
Storage temperature range	- 65°C to 150°C
Lead temperature 1,6 mm (1/16 inch) from case for 10 seconds: D or P package	260°C
Lead temperature 1,6 mm (1/16 inch) from case for 60 seconds: JG package	300°C

NOTE 1: Voltage values are with respect to network ground terminal.

DISSIPATION RATING TABLE

PACKAGE	$T_A \leq 25^\circ\text{C}$	DERATING FACTOR	$T_A = 70^\circ\text{C}$
	POWER RATING	ABOVE $T_A = 25^\circ\text{C}$	POWER RATING
D	725 mW	5.8 mW/°C	464 mW
JG	825 mW	6.6 mW/°C	528 mW
P	1000 mW	8.0 mW/°C	640 mW

recommended operating conditions

	MIN	NOM	MAX	UNIT
Supply voltage, V_{CC+}	10.8	12	13.2	V
Supply voltage, V_{CC-}	- 10.8	- 12	- 13.2	V
High-level input voltage, V_{IH}	2		5.5	V
Low-level input voltage, V_{IL}	0		0.8	V
Applied output voltage, V_O			± 15	V
Operating free-air temperature, T_A	0		70	°C

SN75150
DUAL LINE DRIVER

electrical characteristics over recommended operating free-air temperature range (unless otherwise noted)

PARAMETER		TEST CONDITIONS		MIN	TYP [†]	MAX	UNIT	
V _{OH}	High-level output voltage	V _{CC+} = 10.8 V, V _{IL} = 0.8 V,	V _{CC-} = -13.2 V, R _L = 3 kΩ to 7 kΩ	5	8		V	
V _{OL}	Low-level output voltage (see Note 2)	V _{CC+} = 10.8 V, V _{IH} = 2 V,	V _{CC-} = -10.8 V, R _L = 3 kΩ to 7 kΩ		-8	-5	V	
I _{IH}	High-level input current	V _{CC+} = 13.2 V, V _{CC-} = -13.2 V, V _I = 2.4 V	Data input		1	10	μA	
			Strobe input		2	20		
I _{IL}	Low-level input current	V _{CC+} = 13.2 V, V _{CC-} = -13.2 V, V _I = 0.4 V	Data input		-1	-1.6	mA	
			Strobe input		-2	-3.2		
I _{OS}	Short-circuit output current [‡]	V _{CC+} = 13.2 V, V _{CC-} = -13.2 V	V _O = 25 V		2	8	mA	
			V _O = -25 V		-3	-8		
			V _O = 0, V _I = 3 V		10	15		30
			V _O = 0, V _I = 0		-10	-15		-30
I _{CCH+}	Supply current from V _{CC+} , high-level output	V _{CC+} = 13.2 V, V _I = 0, T _A = 25 °C	V _{CC-} = -13.2 V, R _L = 3 kΩ,		10	22	mA	
I _{CCH-}	Supply current from V _{CC-} , high-level output				-1	-10		
I _{CCL+}	Supply current from V _{CC+} , low-level output	V _{CC+} = 13.2 V, V _I = 3 V, T _A = 25 °C	V _{CC-} = -13.2 V, R _L = 3 kΩ,		8	17	mA	
I _{CCL-}	Supply current from V _{CC-} , low-level output				-9	-20		

[†] All typical values are at V_{CC+} = 12 V, V_{CC-} = -12 V, T_A = 25 °C.

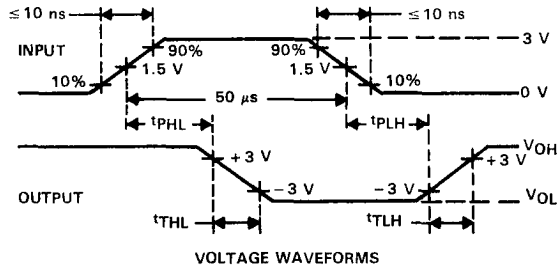
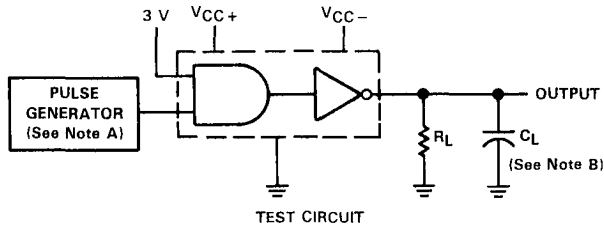
[‡] Not more than one output should be shorted at a time.

NOTE 2: The algebraic convention, in which the less positive (more negative) limit is designated as minimum, is used in this data sheet for logic levels only, e.g., when -5 V is the maximum, the typical value is a more negative voltage.

switching characteristics, V_{CC+} = 12 V, V_{CC-} = -12 V, T_A = 25 °C (see Figure 1)

PARAMETER		TEST CONDITIONS		MIN	TYP	MAX	UNIT
t _{TLH}	Transition time, low-to-high-level output	C _L = 2500 pF, R _L = 3 kΩ to 7 kΩ		0.2	1.4	2	μs
t _{THL}	Transition time, high-to-low-level output			0.2	1.5	2	μs
t _{TLH}	Transition time, low-to-high-level output	C _L = 15 pF, R _L = 7 kΩ			40		ns
t _{THL}	Transition time, high-to-low-level output				20		ns
t _{P LH}	Propagation delay time, low-to-high-level output	C _L = 15 pF, R _L = 7 kΩ			60		ns
t _{P HL}	Propagation delay time, high-to-low-level output				45		ns

PARAMETER MEASUREMENT INFORMATION



- NOTES: A. The pulse generator has the following characteristics: duty cycle $\leq 50\%$, $Z_0 = 50 \Omega$.
 B. C_L includes probe and jig capacitance.

FIGURE 1. SWITCHING CHARACTERISTICS

TYPICAL CHARACTERISTICS

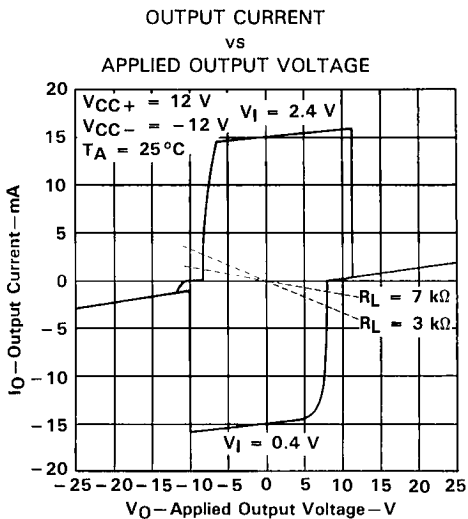


FIGURE 2

APPLICATION INFORMATION

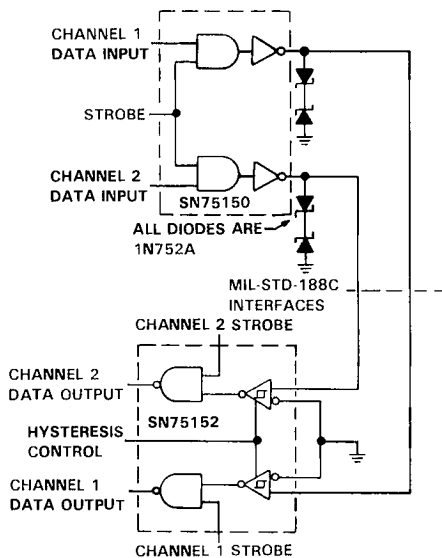


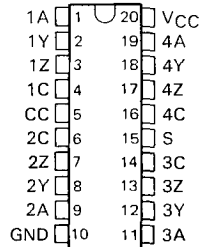
FIGURE 3. DUAL-CHANNEL SINGLE-ENDED INTERFACE CIRCUIT MEETING MIL-STD-188C, PARAGRAPH 7.2.

SN75151, SN75153 QUAD DIFFERENTIAL LINE DRIVERS WITH 3-STATE OUTPUTS

D2453, DECEMBER 1978—REVISED OCTOBER 1986

- Meets EIA Standard RS-422-A
- High-Impedance Output State for Party-Line Operation
- High Output Impedance in Power-Off Condition
- Low Input Current to Minimize Loading
- Single 5-V Supply
- 40-mA Sink- and Source-Current Capability
- High-Speed Schottky Circuitry
- Low Power Requirements

SN75151
DW, J, OR N PACKAGE
(TOP VIEW)

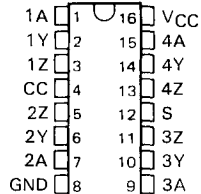


description

These line drivers are designed to provide differential signals with high current capability on balanced lines. These circuits provide strobe and enable inputs to control all four drivers, and the SN75151 provides an additional enable input for each driver. The output circuits have active pull-up and pull-down and are capable of sinking or sourcing 40 milliamperes.

The SN75151 and SN75153 meet all requirements of EIA Standard RS-422-A and Federal Standard 1020. They are characterized for operation from 0°C to 70°C.

SN75153
J OR N DUAL-IN-LINE PACKAGE
(TOP VIEW)



FUNCTION TABLES

SN75151

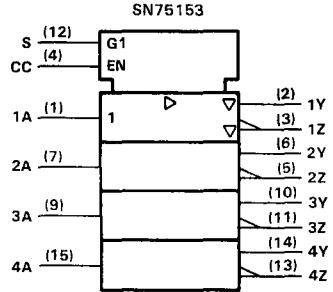
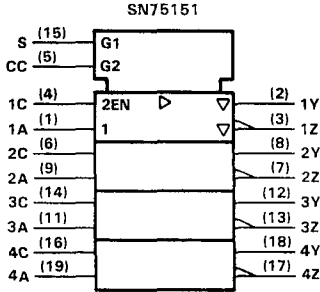
INPUTS				OUTPUTS	
ENABLE	ENABLE	STROBE	DATA	Y	Z
CC	C	S	A		
L	X	X	X	Z	Z
X	L	X	X	Z	Z
H	H	L	X	L	H
H	H	X	L	L	H
H	H	H	H	H	L

SN75153

INPUTS			OUTPUTS	
ENABLE	STROBE	DATA	Y	Z
CC	S	A		
L	X	X	Z	Z
H	L	X	L	H
H	X	L	L	H
H	H	H	H	L

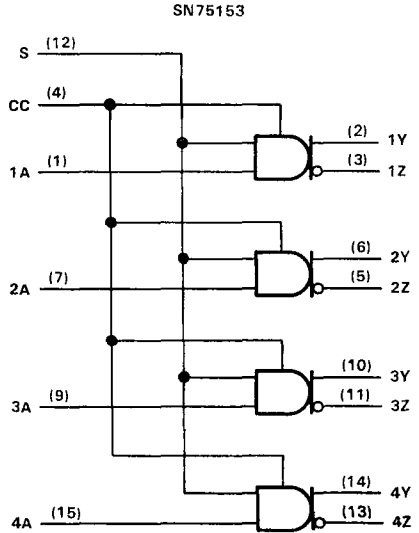
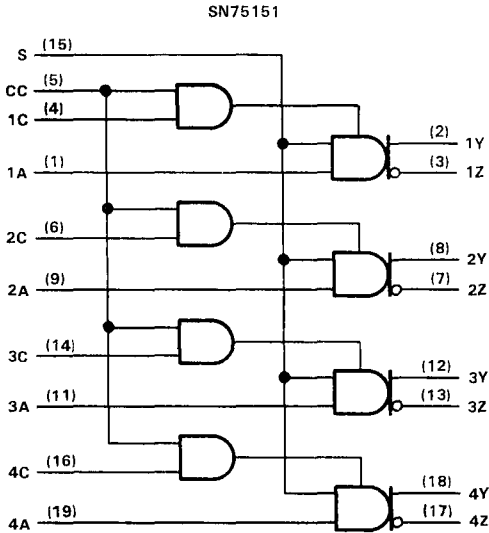
SN75151, SN75153 QUAD DIFFERENTIAL LINE DRIVERS WITH 3-STATE OUTPUTS

logic symbols †



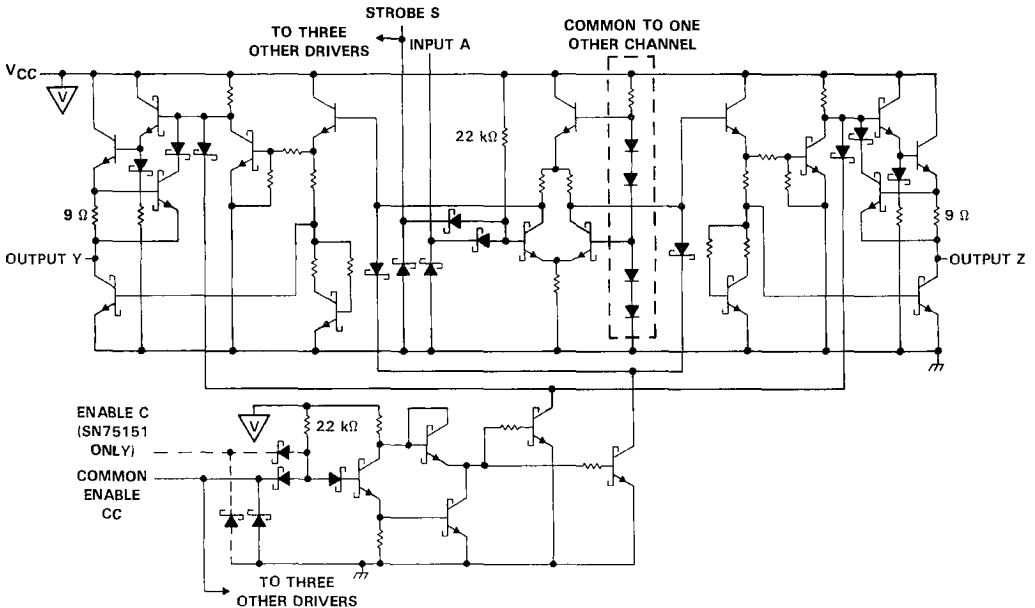
†These symbols are in accordance with ANSI/IEEE Std 91-1984 and IEC Publication 617-12.

logic diagrams (positive logic)



SN75151, SN75153 QUAD DIFFERENTIAL LINE DRIVERS WITH 3-STATE OUTPUTS

schematic



All resistor values shown are nominal.

absolute maximum ratings over operating free-air temperature range (unless otherwise noted)

Supply voltage, V_{CC} (see Note 1)	7 V
Input voltage	5.5 V
Continuous total dissipation at (or below) 25°C free-air temperature (see Note 2):	
DW package	1125 mW
J package	1025 mW
N package	1150 mW
Operating free-air temperature range	0°C to 70°C
Storage temperature range	-65°C to 150°C
Lead temperature 1,6 mm (1/16 inch) from case for 60 seconds: J package	300°C
Lead temperature 1,6 mm (1/16 inch) from case for 10 seconds: DW or N package	260°C

- NOTES: 1. All voltage values, except differential output voltage V_{OD} , are with respect to network ground terminal.
 2. For operation above 25°C free-air temperature, derate the DW package at the rate of 9 mW/°C, the J package at the rate of 8.2 mW/°C, and the N package at the rate of 9.2 mW/°C. In the J package, the chips are glass mounted.

SN75151, SN75153 QUAD DIFFERENTIAL LINE DRIVERS WITH 3-STATE OUTPUTS

recommended operating conditions

	MIN	NOM	MAX	UNIT
Supply voltage, V_{CC}	4.75	5	5.25	V
High-level input voltage, V_{IH}	2			V
Low-level input voltage, V_{IL}	0.8			V
Common-mode output voltage, V_{OC}	-0.25	6		V
High-level output current, I_{OH}	-40			mA
Low-level output current, I_{OL}	40			mA
Operating free-air temperature, T_A	0	70		°C

electrical characteristics over recommended operating free-air temperature range (unless otherwise noted)

PARAMETER	TEST CONDITIONS†		MIN	TYP‡	MAX	UNIT	
V_{IK} Input clamp voltage	$V_{CC} = \text{MIN},$ $I_I = -12 \text{ mA}$	CC, S			-2	V	
		All others	-0.9	-1.5			
V_{OH} High-level output voltage	$V_{CC} = \text{MIN},$ $V_{IL} = \text{MAX},$ $V_{IH} = 2 \text{ V}$	$I_{OH} = -20 \text{ mA}$	2.5			V	
		$I_{OH} = -40 \text{ mA}$	2.4				
V_{OL} Low-level output voltage	$V_{CC} = \text{MIN},$ $V_{IH} = 2 \text{ V},$	$V_{IL} = \text{MAX},$ $I_{OL} = 40 \text{ mA}$			0.5	V	
$ V_{OD1} $ Differential output voltage	$V_{CC} = \text{MAX},$	$I_O = 0$	3.4		$2V_{OD2}$	V	
$ V_{OD2} $ Differential output voltage	$V_{CC} = \text{MIN}$	$R_L = 100 \Omega,$ See Figure 1	2	2.8		V	
$\Delta V_{OD} $ Change in magnitude of differential output voltage§	$V_{CC} = \text{MIN}$		± 0.01	± 0.4		V	
V_{OC} Common-mode output voltage¶	$V_{CC} = \text{MAX}$		1.8	3		V	
	$V_{CC} = \text{MIN}$		1.6	3			
$\Delta V_{OC} $ Change in magnitude of common-mode output voltage§	$V_{CC} = \text{MIN or MAX}$	± 0.02		± 0.4		V	
I_{OZ} Off-state (high-impedance-state) output current	$V_{CC} = \text{MAX},$ Enable at 0.8 V	$V_O = 0.5 \text{ V}$			-20	μA	
		$V_O = 2.5 \text{ V}$			20		
		$V_O = V_{CC}$			20		
I_O Output current with power off	$V_{CC} = 0$	$V_O = 6 \text{ V}$	0.1		$10n$	μA	
		$V_O = -0.25 \text{ V}$	-0.1				
		$V_O = -0.25 \text{ V to } 6 \text{ V}$	\pm				
I_i Input current at maximum input voltage	$V_{CC} = \text{MAX},$	$V_I = 5.5 \text{ V}$			0.1	mA	
I_{IH} High-level input current	$V_{CC} = \text{MAX},$ $V_I = 2.4 \text{ V}$	C('151), A			20	μA	
		CC, S			80		
I_{IL} Low-level input current	$V_{CC} = \text{MAX},$ $V_I = 0.4 \text{ V}$	C('151), A			-0.36	mA	
		CC, S			-1.6		
I_{OS} Short-circuit output current#	$V_{CC} = \text{MAX}$			-50	-90	-150	mA
I_{CC} Supply current (both drivers)	$V_{CC} = \text{MAX},$ No load	Outputs disabled		30	60	mA	
		Outputs enabled		60	80		

† For conditions shown as MIN or MAX, use the appropriate value specified under recommended operating conditions.

‡ All typical values are at $T_A = 25^\circ\text{C}$ and $V_{CC} = 5 \text{ V}$ except for V_{OC} , for which V_{CC} is as stated under test conditions.

§ $\Delta|V_{OD}|$ and $\Delta|V_{OC}|$ are the changes in magnitudes of V_{OD} and V_{OC} , respectively, that occur when the input is changed from a high level to a low level.

¶ In EIA Standard RS-422-A, V_{OC} , which is the average of the two output voltages with respect to ground, is called output offset voltage, V_{OS} .

Only one output should be shorted at a time, and duration of the short-circuit should not exceed one second.

SN75151, SN75153
QUAD DIFFERENTIAL LINE DRIVERS WITH 3-STATE OUTPUTS

switching characteristics, $V_{CC} = 5\text{ V}$, $T_A = 0^\circ\text{C}$ to 70°C (unless otherwise noted)

PARAMETER	TEST CONDITIONS	MIN	TYP†	MAX	UNIT
t_{PLH} Propagation delay time, low-to-high-level output	$C_L = 30\text{ pF}$, $R_L = 100\ \Omega$, See Figure 2,		15	30	ns
t_{PHL} Propagation delay time, high-to-low-level output	Termination A		15	30	ns
t_{PLH} Propagation delay time, low-to-high-level output	$C_L = 30\text{ pF}$, See Figure 2, Termination B		13	25	ns
t_{PHL} Propagation delay time, high-to-low-level output			13	25	ns
t_{TLH} Transition time, low-to-high-level output	$C_L = 30\text{ pF}$, $R_L = 100\ \Omega$, See Figure 2,		12	20	ns
t_{THL} Transition time, high-to-low-level output	Termination A		12	20	ns
t_{PZH} Output enable time to high level	$C_L = 30\text{ pF}$, $R_L = 60\ \Omega$, See Figure 3		18	35	ns
t_{PZL} Output enable time to low level	$C_L = 30\text{ pF}$, $R_L = 111\ \Omega$, See Figure 4		20	35	ns
t_{PHZ} Output disable time from high level	$C_L = 30\text{ pF}$, $R_L = 60\ \Omega$, See Figure 3		19	30	ns
t_{PLZ} Output disable time from low level	$C_L = 30\text{ pF}$, $R_L = 111\ \Omega$, See Figure 4		13	30	ns
Overshoot factor	$R_L = 100\ \Omega$, See Figure 2, Termination C			10	%

†All typical values are at $T_A = 25^\circ\text{C}$.

PARAMETER MEASUREMENT INFORMATION

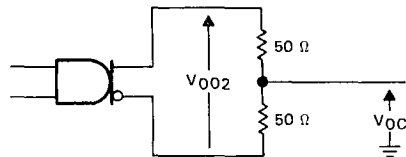
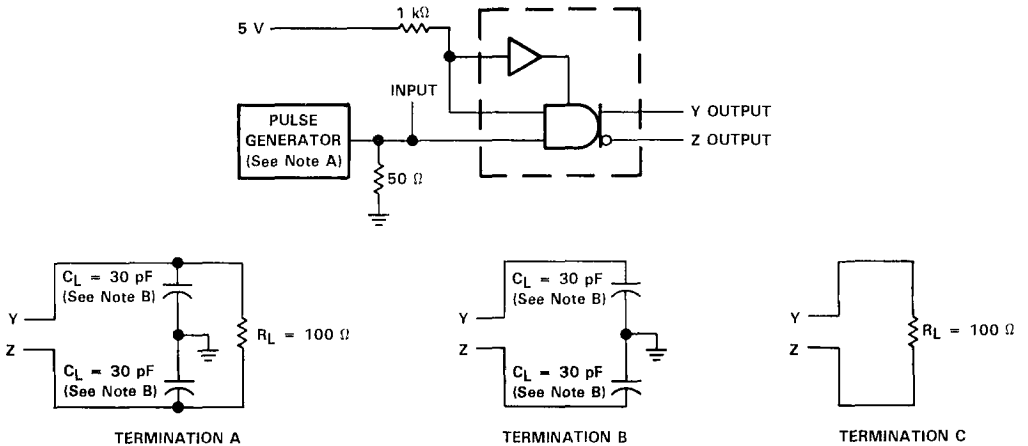


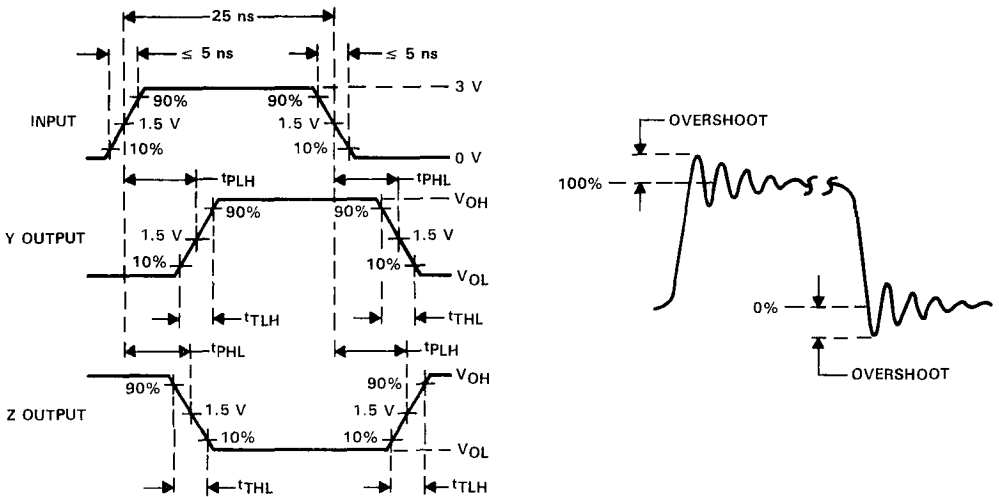
FIGURE 1. DIFFERENTIAL AND COMMON-MODE OUTPUT VOLTAGES

**SN75151, SN75153
QUAD DIFFERENTIAL LINE DRIVERS WITH 3-STATE OUTPUTS**

PARAMETER MEASUREMENT INFORMATION



TEST CIRCUITS



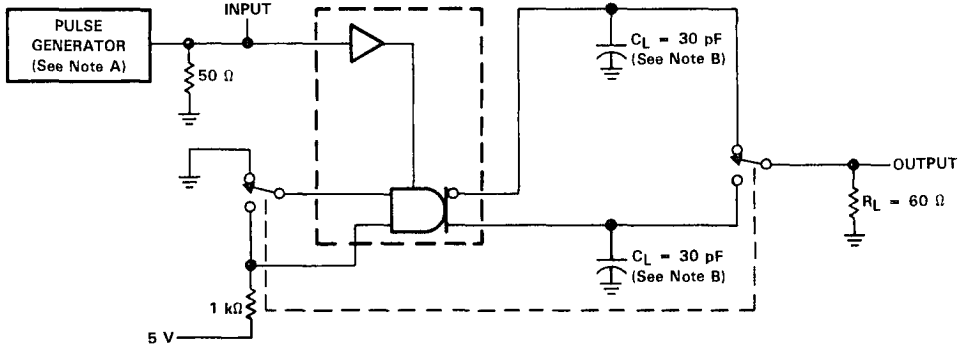
VOLTAGE WAVEFORMS

NOTES: A. The pulse generator has the following characteristics: $Z_{out} = 50 \Omega$, $PRR \le 10\text{ MHz}$.
B. C_L includes probe and jig capacitance.

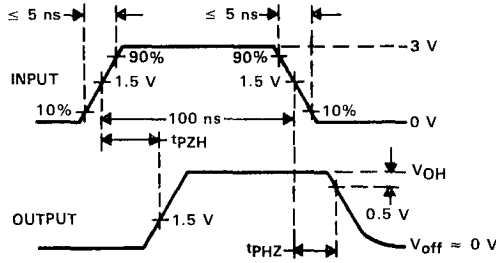
FIGURE 2. t_{PLH} , t_{PHL} , t_{TLH} , t_{TLH} , AND OVERSHOOT FACTOR

SN75151, SN75153
QUAD DIFFERENTIAL LINE DRIVERS WITH 3-STATE OUTPUTS

PARAMETER MEASUREMENT INFORMATION



TEST CIRCUIT



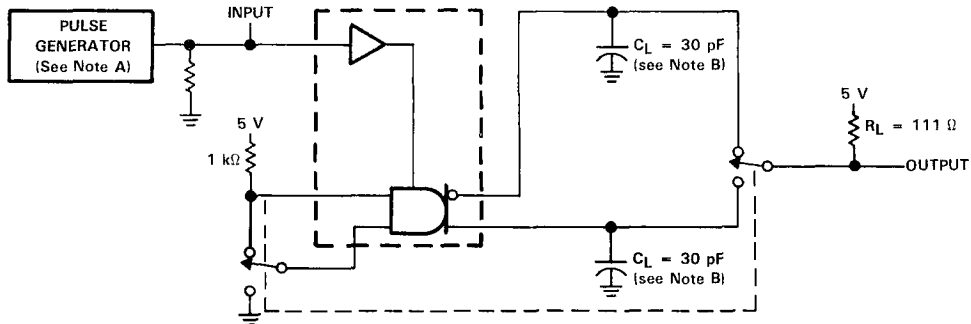
VOLTAGE WAVEFORMS

FIGURE 3. t_{pZH} AND t_{pHZ}

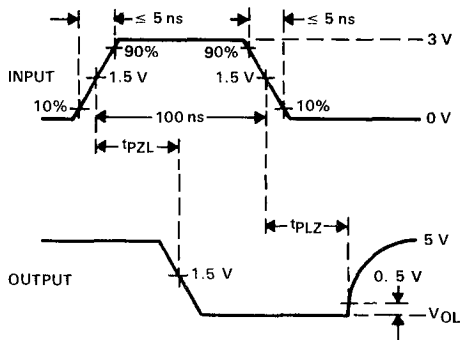
- NOTES: A. The pulse generators have the following characteristics: $Z_{out} = 50\ \Omega$, $PRR \leq 500\text{ kHz}$.
 B. C_L includes probe and jig capacitance.

**SN75151, SN75153
QUAD DIFFERENTIAL LINE DRIVERS WITH 3-STATE OUTPUTS**

PARAMETER MEASUREMENT INFORMATION



TEST CIRCUIT



VOLTAGE WAVEFORMS

FIGURE 4. tpLZ AND tPLZ

NOTES: A. The pulse generators have the following characteristics: $Z_{out} = 50 \Omega$, $PRR \leq 500 \text{ kHz}$.
B. C_L includes probe and jig capacitance.

TYPICAL CHARACTERISTICS

Y OUTPUT VOLTAGE
 vs
 DATA INPUT VOLTAGE

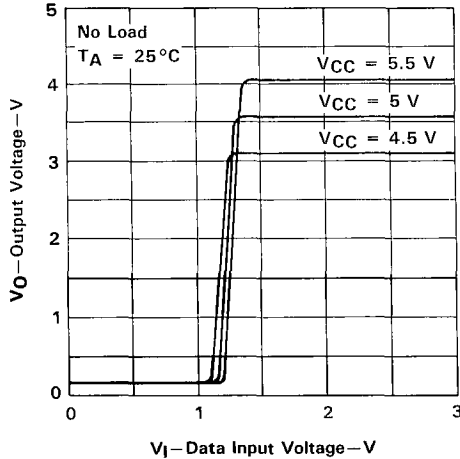


FIGURE 5

Y OR Z OUTPUT VOLTAGE
 vs
 ENABLE INPUT VOLTAGE

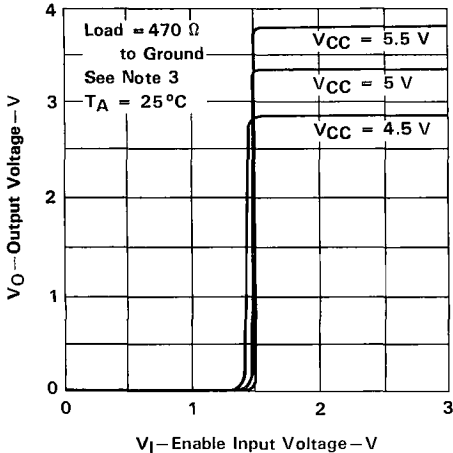


FIGURE 6

Y OR Z OUTPUT VOLTAGE
 vs
 ENABLE INPUT VOLTAGE

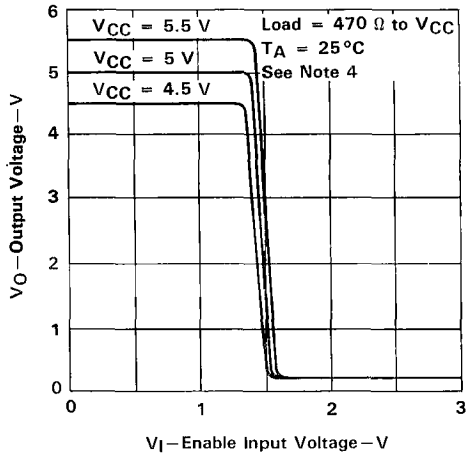


FIGURE 7

- NOTES: 3. The A input is connected to V_{CC} during the testing of the Y outputs and to ground during testing of the Z outputs.
 4. The A input is connected to ground during the testing of the Y outputs and to V_{CC} during the testing of the Z outputs.

SN75151, SN75153 QUAD DIFFERENTIAL LINE DRIVERS WITH 3-STATE OUTPUTS

TYPICAL CHARACTERISTICS

HIGH-LEVEL OUTPUT VOLTAGE
vs
FREE-AIR TEMPERATURE

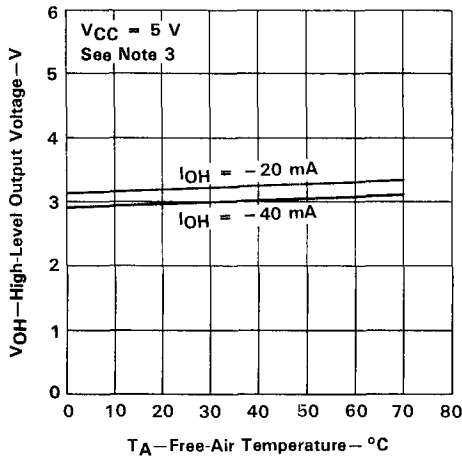


FIGURE 8

HIGH-LEVEL OUTPUT VOLTAGE
vs
OUTPUT CURRENT

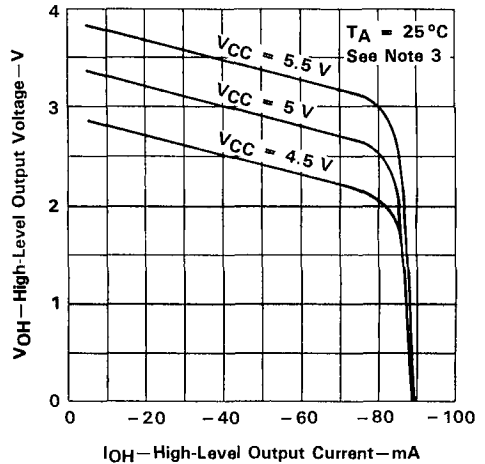


FIGURE 9

LOW-LEVEL OUTPUT VOLTAGE
vs
FREE-AIR TEMPERATURE

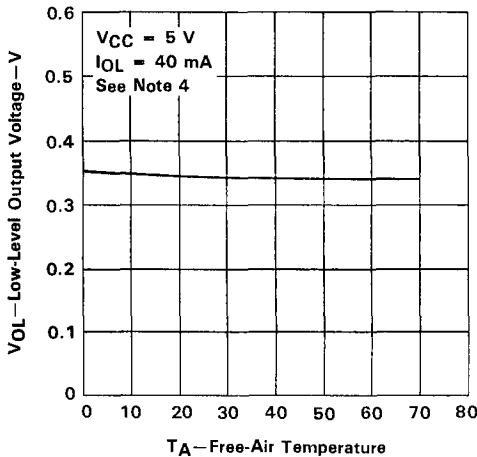


FIGURE 10

LOW-LEVEL OUTPUT VOLTAGE
vs
OUTPUT CURRENT

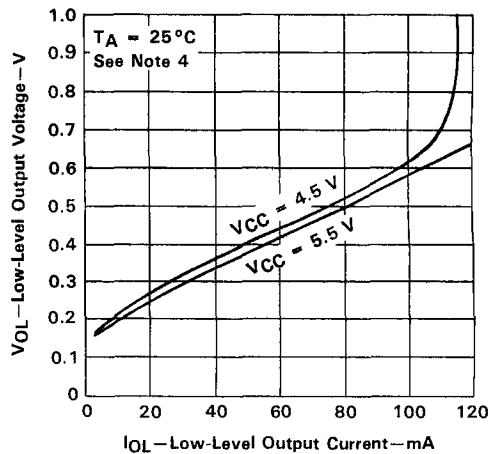


FIGURE 11

- NOTES: 3. The A input is connected to V_{CC} during the testing of the Y outputs and to ground during testing of the Z outputs.
4. The A input is connected to ground during the testing of the Y outputs and to V_{CC} during the testing of the Z inputs.

SN75151, SN75153
QUAD DIFFERENTIAL LINE DRIVERS WITH 3-STATE OUTPUTS

TYPICAL CHARACTERISTICS

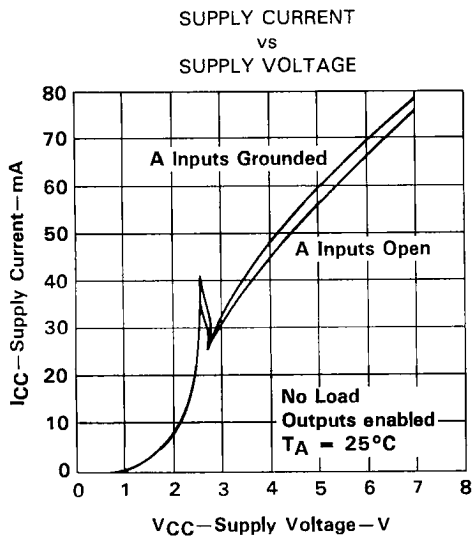


FIGURE 12

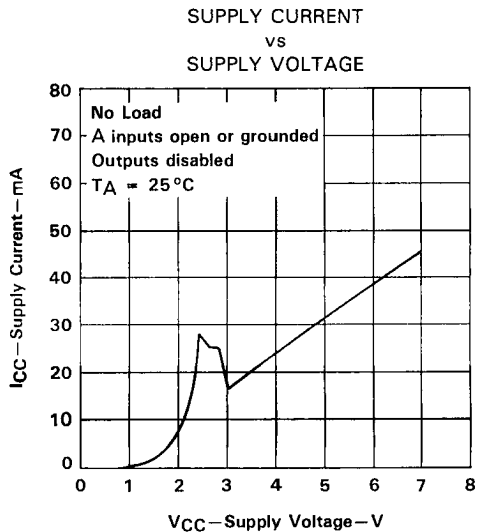


FIGURE 13

- NOTES: 3. The A input is connected to V_{CC} during the testing of the Y outputs and to ground during testing of the Z outputs.
 4. The A input is connected to ground during the testing of the Y outputs and to V_{CC} during the testing of the Z inputs.

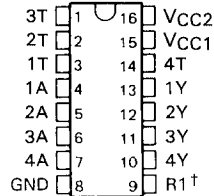
SN75154 QUADRUPLE LINE RECEIVER

D899, NOVEMBER 1970—REVISED MAY 1990

- Satisfies Requirements of EIA Standard RS-232-C
- Input Resistance . . . 3 k Ω to 7 k Ω over Full RS-232-C Voltage Range
- Input Threshold Adjustable to Meet "Fail-Safe" Requirements Without Using External Components
- Built-In Hysteresis for Increased Noise Immunity
- Inverting Output Compatible With TTL
- Output With Active Pull-Up for Symmetrical Switching Speeds
- Standard Supply Voltages . . . 5 V or 12 V

D, J, OR N PACKAGE

(TOP VIEW)



[†]For function of R1, see schematic

description

The SN75154 is a monolithic Low-Power Schottky line receiver designed to satisfy the requirements of the standard interface between data terminal equipment and data communication equipment as defined by EIA standard RS-232-C. Other applications are for relatively short, single-line, point-to-point data transmission and for level translators. Operation is normally from a single 5-V supply; however, a built-in option allows operation from a 12-V supply without the use of additional components. The output is compatible with most TTL circuits when either supply voltage is used.

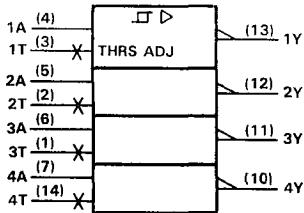
In normal operation, the threshold-control terminals are connected to the VCC1 terminal, even if power is being supplied via the alternate VCC2 terminal. This provides a wide hysteresis loop, which is the difference between the positive-going and negative-going threshold voltages. See typical characteristics. In this mode of operation, if the input voltage goes to zero, the output voltage will remain at the low or high level as determined by the previous input.

For fail-safe operation, the threshold-control terminals are open. This reduces the hysteresis loop by causing the negative-going threshold voltage to be above zero. The positive-going threshold voltage remains above zero as it is unaffected by the disposition of the threshold terminals. In the fail-safe mode, if the input voltage goes to zero or an open-circuit condition, the output will go to the high level regardless of the previous input condition.

The SN75154 is characterized for operation from 0°C to 70°C.

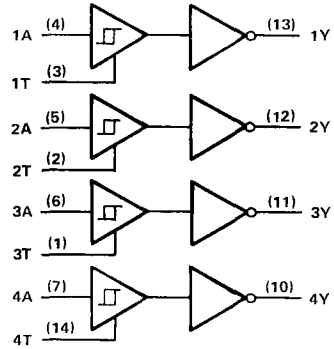
SN75154 QUADRUPLE LINE RECEIVER

logic symbol†

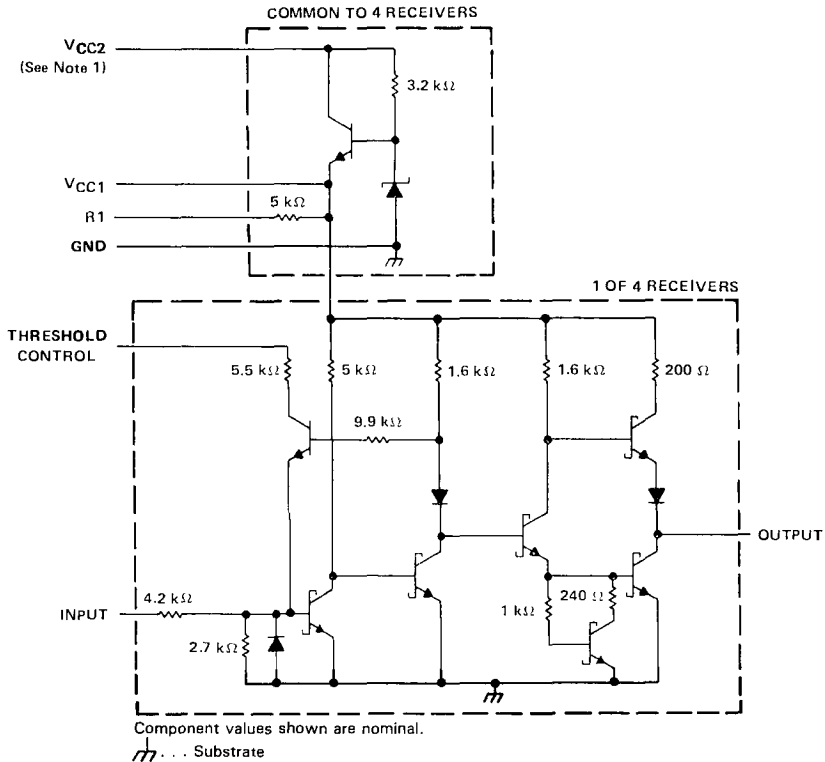


† This symbol is in accordance with ANSI/IEEE Std 91-1984 and IEC Publication 617-12.

logic diagram



schematic



NOTE 1: When V_{CC1} is used, V_{CC2} may be left open or shorted to V_{CC1} . When V_{CC2} is used, V_{CC1} must be left open or connected to the threshold control pins.

absolute maximum ratings over operating free-air temperature range (unless otherwise noted)

Normal supply voltage, V_{CC1} (see Note 2)	7 V
Alternate supply voltage, V_{CC2}	14 V
Input voltage	± 25 V
Continuous total power dissipation	See Dissipation Rating Table
Operating free-air temperature range	0°C to 70°C
Storage temperature range	-65°C to 150°C
Lead temperature 1,6 mm (1/16 inch) from case for 60 seconds: J package	300°C
Lead temperature 1,6 mm (1/16 inch) from case for 10 seconds: D or N package	260°C

DISSIPATION RATING TABLE

PACKAGE	$T_A \leq 25^{\circ}\text{C}$	OPERATING FACTOR	$T_A = 70^{\circ}\text{C}$
	POWER RATING	ABOVE $T_A = 25^{\circ}\text{C}$	POWER RATING
D	950 mW	$7.6 \text{ mW}/^{\circ}\text{C}$	608 mW
J	1025 mW	$8.2 \text{ mW}/^{\circ}\text{C}$	656 mW
N	1150 mW	$9.2 \text{ mW}/^{\circ}\text{C}$	736 mW

recommended operating conditions

	MIN	NOM	MAX	UNIT
Normal supply voltage, V_{CC1}	4.5	5	5.5	V
Alternate supply voltage, V_{CC2}	10.8	12	13.2	V
High-level input voltage, V_{IH} (see Note 3)	3		15	V
Low-level input voltage, V_{IL} (see Note 3)	-15		-3	V
High-level output current, I_{OH}			-400	μA
Low-level output current, I_{OL}			16	mA
Operating free-air temperature, T_A	0		70	$^{\circ}\text{C}$

- NOTES: 2. Voltage values are with respect to network ground terminal.
 3. The algebraic convention, where the less positive (more negative) limit is designated as minimum, is used in this data sheet for logic and threshold levels only, e.g., when 0 V is the maximum, the minimum limit is a more negative voltage.

SN75154 QUADRUPLE LINE RECEIVER

electrical characteristics over recommended operating free-air temperature range (unless otherwise noted)

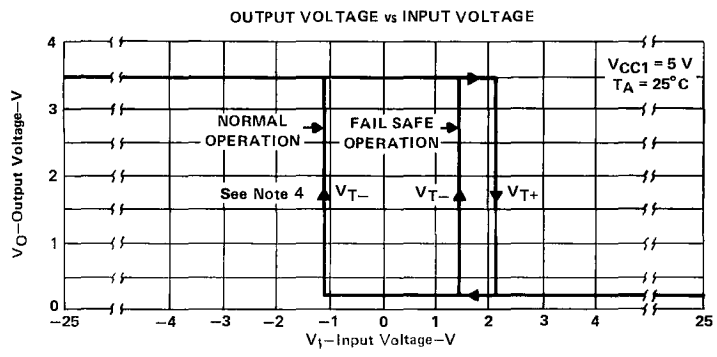
PARAMETER		TEST FIGURE	TEST CONDITIONS	MIN	TYP [†]	MAX	UNIT
V _{T+}	Positive-going threshold voltage	Normal operation		0.8	2.2	3	V
		Fail-safe operation		0.8	2.2	3	
V _{T-}	Negative-going threshold voltage	Normal operation		-3	-1.1	0	V
		Fail-safe operation		0.8	1.4	3	
V _{hys}	Hysteresis (V _{T+} - V _{T-})	Normal operation		0.8	3.3	6	V
		Fail-safe operation		0	0.8	2.2	
V _{OH}	High-level output voltage	1	I _{OH} = -400 μA	2.4	3.5		V
V _{OL}	Low-level output voltage	1	I _{OL} = 16 mA		0.29	0.4	V
r _i	Input resistance	2	ΔV _I = -25 V to -14 V	3	5	7	kΩ
			ΔV _I = -14 V to -3 V	3	5	7	
			ΔV _I = -3 V to 3 V	3	6	8	
			ΔV _I = 3 V to 14 V	3	5	7	
V _{I(open)}	Open-circuit input voltage	3	I _I = 0	0	0.2	2	V
I _{OS}	Short-circuit output current [†]	4	V _{CC1} = 5.5 V, V _I = -5 V	-10	-20	-40	mA
I _{CC1}	Supply current from V _{CC1}	5	V _{CC1} = 5.5 V, T _A = 25°C	20	35		mA
I _{CC2}	Supply current from V _{CC2}		V _{CC2} = 13.2 V, T _A = 25°C	23	40		

[†]Not more than one output should be shorted at a time.
[‡]All typical values are at V_{CC1} = 5 V, T_A = 25°C.

switching characteristics, V_{CC1} = 5 V, T_A = 25°C, N = 10

PARAMETER		TEST FIGURE	TEST CONDITIONS	MIN	TYP	MAX	UNIT
t _{pLH}	Propagation delay time, low-to-high-level output	6	C _L = 50 pF, R _L = 390 Ω		11		ns
t _{pHL}	Propagation delay time, high-to-low-level output				8		ns
t _{TLH}	Transition time, low-to-high-level output				7		ns
t _{THL}	Transition time, high-to-low-level output				2.2		ns

TYPICAL CHARACTERISTICS



NOTE 4: For normal operation, the threshold controls are connected to V_{CC1}. For fail-safe operation, the threshold controls are open.

PARAMETER MEASUREMENT INFORMATION

d-c test circuits†

TEST TABLE

TEST	MEASURE	A	T	Y	V _{CC1} (PIN 15)	V _{CC2} (PIN 16)
Open-circuit input (fail safe)	V _{OH}	Open	Open	I _{OH}	4.5 V	Open
	V _{OH}	Open	Open	I _{OH}	Open	10.8 V
V _{T+} min, V _{T-} min (fail safe)	V _{OH}	0.8 V	Open	I _{OH}	5.5 V	Open
	V _{OH}	0.8 V	Open	I _{OH}	Open	13.2 V
V _{T+} min (normal)	V _{OH}	Note A	Pin 15	I _{OH}	5.5 V and T	Open
	V _{OH}	Note A	Pin 15	I _{OH}	T	13.2 V
V _{IL} max, V _{T-} min (normal)	V _{OH}	-3 V	Pin 15	I _{OH}	5.5 V and T	Open
	V _{OH}	-3 V	Pin 15	I _{OH}	T	13.2 V
V _{IH} min, V _{T+} max, V _{T-} max (fail safe)	V _{OL}	3 V	Open	I _{OL}	4.5 V	Open
	V _{OL}	3 V	Open	I _{OL}	Open	10.8 V
V _{IH} min, V _{T+} max (normal)	V _{OL}	3 V	Pin 15	I _{OL}	4.5 V and T	Open
	V _{OL}	3 V	Pin 15	I _{OL}	T	10.8 V
V _{T-} max (normal)	V _{OL}	Note B	Pin 15	I _{OL}	5.5 V and T	Open
	V _{OL}	Note B	Pin 15	I _{OL}	T	13.2 V

NOTES: A. Momentarily apply -5 V, then 0.8 V.
 B. Momentarily apply 5 V, then ground.

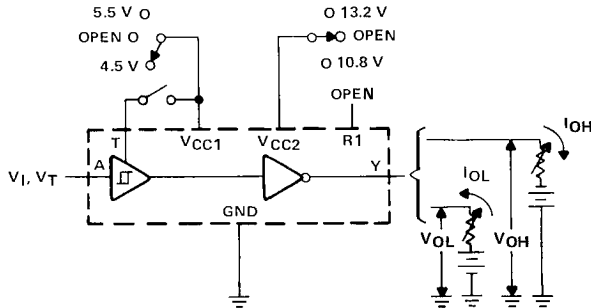


FIGURE 1. V_{IH}, V_{IL}, V_{T+}, V_{T-}, V_{OH}, V_{OL}

†Arrows indicate actual direction of current flow. Current into a terminal is a positive value.

**SN75154
QUADRUPLE LINE RECEIVER**

PARAMETER MEASUREMENT INFORMATION

d-c test circuits† (continued)

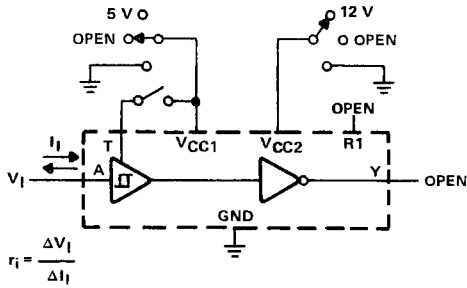


FIGURE 2. r_i

TEST TABLE

T	V _{CC1} (PIN 15)	V _{CC2} (PIN 16)
Open	5 V	Open
Open	.	Open
Open	Open	Open
Pin 15	T and 5 V	Open
GND	GND	Open
Open	Open	12 V
Open	Open	GND
Pin 15	T	12 V
Pin 15	T	.
Pin 15	T	Open

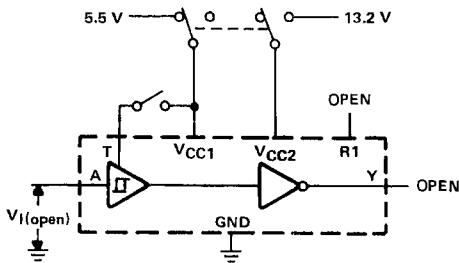
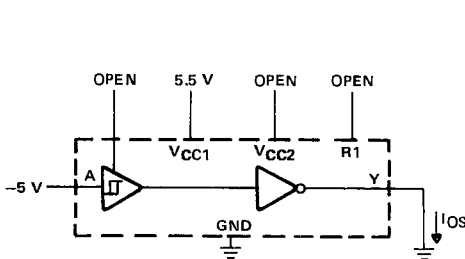


FIGURE 3. $V_i(\text{open})$

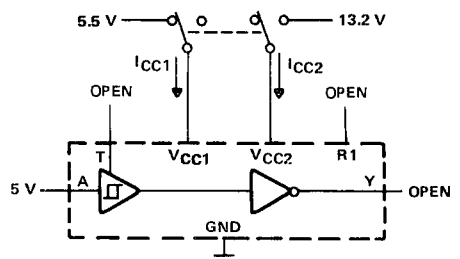
TEST TABLE

T	V _{CC1} (PIN 15)	V _{CC2} (PIN 16)
Open	5.5 V	Open
Pin 15	5.5 V	Open
Open	Open	13.2 V
Pin 15	T	13.2 V



Each output is tested separately.

FIGURE 4. I_{OS}

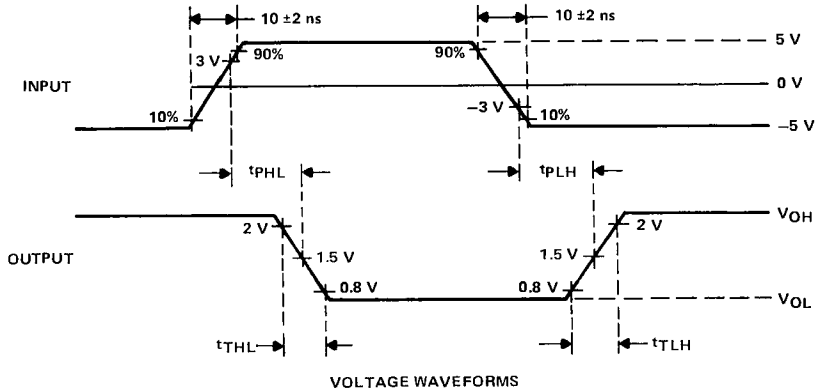
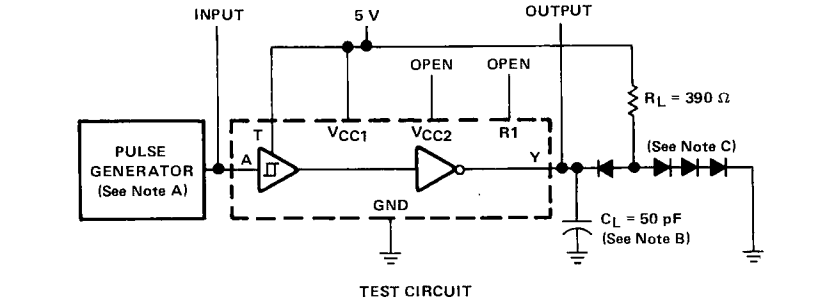


All four line receivers are tested simultaneously.

FIGURE 5. I_{CC}

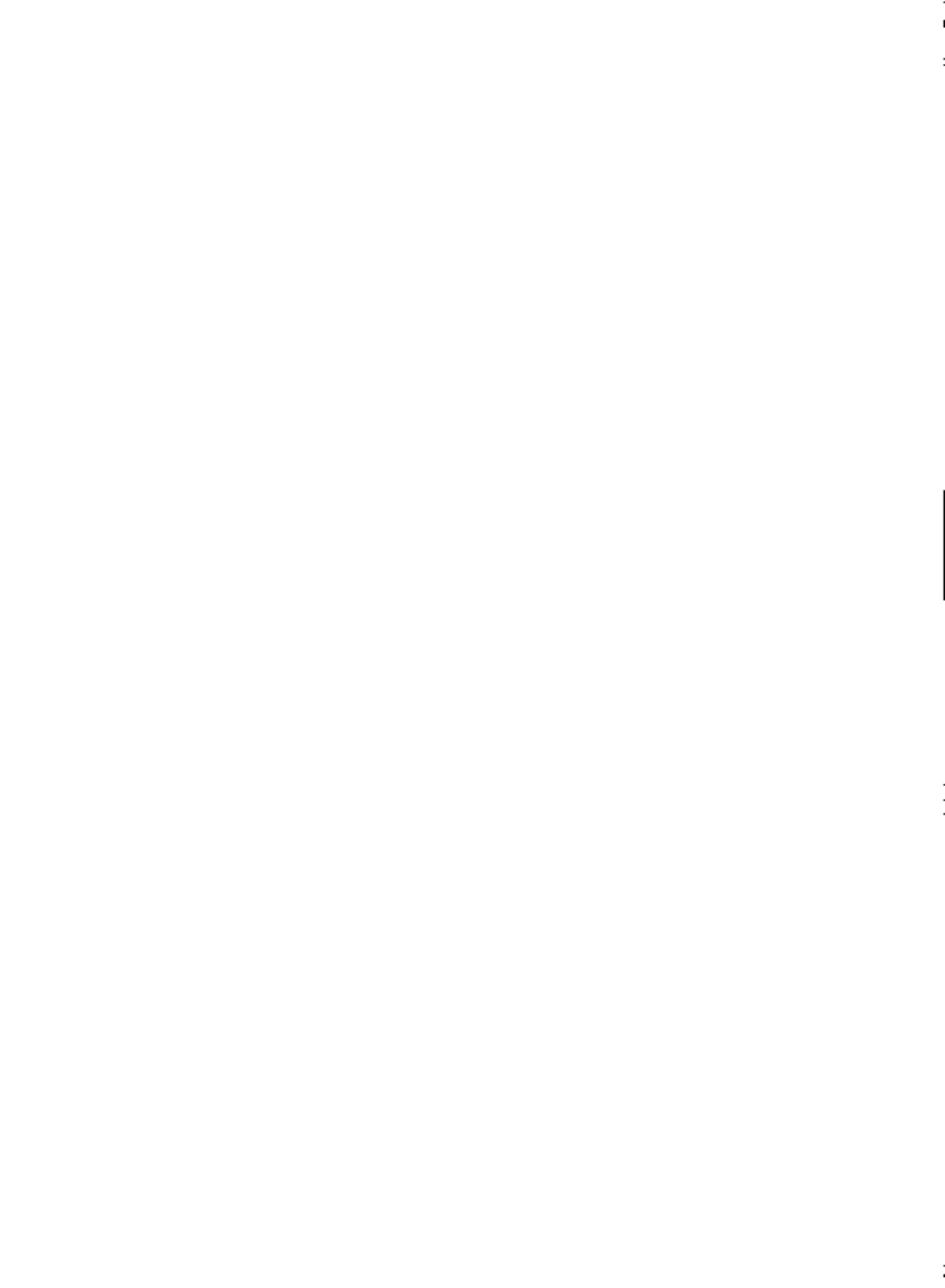
†Arrows indicate actual direction of current flow. Current into a terminal is a positive value.

PARAMETER MEASUREMENT INFORMATION



- NOTES: A. The pulse generator has the following characteristics: $Z_o = 50 \Omega$, $t_w \leq 200 \text{ ns}$, duty cycle $\leq 20\%$.
 B. C_L includes probe and jig capacitance.
 C. All diodes are 1N3064.

FIGURE 6. SWITCHING TIMES



SN75155 LINE DRIVER AND RECEIVER

D2951, JULY 1986—REVISED AUGUST 1989

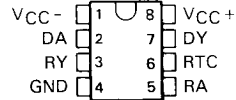
- Meets EIA Standard RS-232-C
- 10-mA Current Limited Output
- Wide Range of Supply Voltage . . . $V_{CC} = 4.5\text{ V to }15\text{ V}$
- Low Power . . . 130 mW
- Built-In 5-V Regulator
- Response Control Provides:
 - Input Threshold Shifting
 - Input Noise Filtering
- Power-Off Output Resistance . . . 300 Ω Typ
- Driver Input TTL Compatible

description

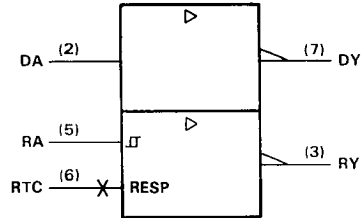
The SN75155 is a monolithic line driver and receiver that is designed to satisfy the requirements of the standard interface between data terminal equipment and data communication equipment as defined by EIA standard RS-232-C. A Response Control input is provided for the receiver. A resistor or a resistor and a bias voltage can be connected between the response control input and ground to provide noise filtering. The driver used is similar to the SN75188. The receiver used is similar to the SN75189A.

The SN75155 is characterized for operation from 0°C to 70°C.

D, JG, OR P PACKAGE
(TOP VIEW)

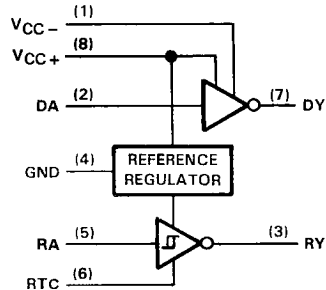


logic symbol†



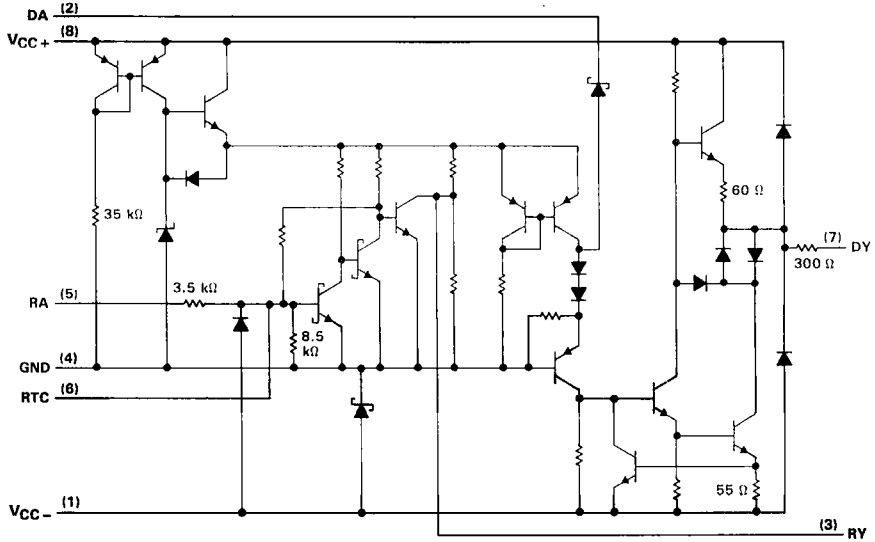
†This symbol is in accordance with ANSI/IEEE Std 91-1984 and IEC Publication 617-12.

logic diagram



SN75155 LINE DRIVER AND RECEIVER

schematic



All resistor values shown are nominal.

absolute maximum ratings over operating free-air temperature range (unless otherwise noted)

Supply voltage, V_{CC+} (see Note 1)	15 V
Supply voltage, V_{CC-} (see Note 1)	-15 V
Input voltage range: Driver	-15 V to 15 V
Receiver	-30 V to 30 V
Output voltage range (Driver)	-15 V to 15 V
Continuous total power dissipation	See Dissipation Rating Table
Operating free-air temperature range	0°C to 70°C
Storage temperature range	-65°C to 150°C
Lead temperature 1,6 mm (1/16 inch) from case for 60 seconds: JG package	300°C
Lead temperature 1,6 mm (1/16 inch) from case for 10 seconds: D or P package	260°C

OTE: 1. All voltage values are with respect to network ground terminal.

DISSIPATION RATING TABLE

PACKAGE†	$T_A \leq 25^\circ\text{C}$ POWER RATING	DERATING FACTOR ABOVE $T_A = 25^\circ\text{C}$	$T_A = 70^\circ\text{C}$ POWER RATING
D	725 mW	5.8 mW/°C	464 mW
JG	825 mW	6.6 mW/°C	528 mW
P	1000 mW	8.0 mW/°C	640 mW

†In the JG package, SN75155 chips are glass mounted.

recommended operating conditions

	MIN	NOM	MAX	UNIT
Supply voltage, V_{CC+}	4.5	12	15	V
Supply voltage, V_{CC-}	-4.5	-12	-15	V
Input voltage, driver, $V_{I(D)}$			±15	V
Input voltage, receiver, $V_{I(R)}$	-25		25	V
High-level input voltage, driver, V_{IH}	2			V
Low-level input voltage, driver, V_{IL}			0.8	V
Response control current			±5.5	mA
Output current, receiver, $I_{O(R)}$			24	mA
Operating free-air temperature, T_A	0		70	°C

electrical characteristics over recommended operating free-air temperature range (unless otherwise noted)

total device

PARAMETERS	TEST CONDITIONS			MIN	TYP [†]	MAX	UNIT
I_{CCH+} High-level supply current	$V_{CC+} = 5\text{ V}$, $V_{CC-} = -5\text{ V}$,	$V_{I(D)} = 2\text{ V}$,		6.3	8.1		mA
	$V_{CC+} = 9\text{ V}$, $V_{CC-} = -9\text{ V}$,	$V_{I(R)} = 2.3\text{ V}$,		9.1	11.9		
	$V_{CC+} = 12\text{ V}$, $V_{CC-} = -12\text{ V}$,	Output open		10.4	14		
I_{CCL+} Low-level supply current	$V_{CC+} = 5\text{ V}$, $V_{CC-} = -5\text{ V}$,	$V_{I(D)} = 0.8\text{ V}$,		2.5	3.4		mA
	$V_{CC+} = 9\text{ V}$, $V_{CC-} = -9\text{ V}$,	$V_{I(R)} = 0.6\text{ V}$,		3.7	5.1		
	$V_{CC+} = 12\text{ V}$, $V_{CC-} = -12\text{ V}$,	Output open		4.1	5.6		
I_{CC+} Supply current	$V_{CC+} = 5\text{ V}$, $V_{CC-} = 0$,	$V_{I(R)} = 2.3\text{ V}$,		4.8	6.4		mA
	$V_{CC+} = 9\text{ V}$, $V_{CC-} = 0$,	$V_{I(D)} = 0$		6.7	9.1		
I_{CCH-} High-level supply current	$V_{CC+} = 5\text{ V}$, $V_{CC-} = -5\text{ V}$,	$V_{I(D)} = 2\text{ V}$,		-2.4	-3.1		mA
	$V_{CC+} = 9\text{ V}$, $V_{CC-} = -9\text{ V}$,	$V_{I(R)} = 2.3\text{ V}$,		-3.9	-4.9		
	$V_{CC+} = 12\text{ V}$, $V_{CC-} = -12\text{ V}$,	Output open		-4.8	-6.1		
I_{CCL-} Low-level supply current	$V_{CC+} = 5\text{ V}$, $V_{CC-} = -5\text{ V}$,	$V_{I(D)} = 0.8\text{ V}$,		-0.2	-0.35		mA
	$V_{CC+} = 9\text{ V}$, $V_{CC-} = -9\text{ V}$,	$V_{I(R)} = 0.6\text{ V}$,		-0.25	-0.4		
	$V_{CC+} = 12\text{ V}$, $V_{CC-} = -12\text{ V}$,	Output open		-0.27	-0.45		

[†]All typical values are at $T_A = 25^\circ\text{C}$.

SN75155
LINE DRIVER AND RECEIVER

electrical characteristics over recommended operating free-air temperature range, $V_{CC+} = 12\text{ V}$, $V_{CC-} = -12\text{ V}$ (unless otherwise noted)

driver section

PARAMETER	CONDITIONS	MIN	TYP†	MAX	UNIT
VOH High-level output voltage	$V_{IL} = 0.8\text{ V}$, $R_L = 3\text{ k}\Omega$	$V_{CC+} = 5\text{ V}$, $V_{CC-} = -5\text{ V}$	3.2	3.7	V
		$V_{CC+} = 9\text{ V}$, $V_{CC-} = -9\text{ V}$	6.5	7.2	
		$V_{CC+} = 12\text{ V}$, $V_{CC-} = -12\text{ V}$	8.9	9.8	
VOL Low-level output voltage (see Note 2)	$V_{IH} = 2\text{ V}$, $R_L = 3\text{ k}\Omega$	$V_{CC+} = 5\text{ V}$, $V_{CC-} = -5\text{ V}$	-3.6	-3.2	V
		$V_{CC+} = 9\text{ V}$, $V_{CC-} = -9\text{ V}$	-7.1	-6.4	
		$V_{CC+} = 12\text{ V}$, $V_{CC-} = -12\text{ V}$	-9.7	-8.8	
I _{IH} High-level input current	$V_I = 7\text{ V}$			5	μA
I _{IL} Low-level input current	$V_I = 0$		-0.73	-1.2	mA
I _{OSH} High-level short-circuit output current	$V_I = 0.8\text{ V}$, $V_O = 0$	-7	-12	-14.5	mA
I _{OSL} Low-level short-circuit output current	$V_I = 2\text{ V}$, $V_O = 0$	6.5	11.5	15	mA
R _O Output resistance with power off	$V_O = -2\text{ V to } 2\text{ V}$		300		Ω

receiver section (see Figure 1)

PARAMETER	TEST CONDITIONS	MIN	TYP†	MAX	UNIT	
V _{T+} Positive-going threshold voltage		1.2	1.9	2.3	V	
V _{T-} Negative-going threshold voltage		0.6	0.95	1.2	V	
V _{hys} Hysteresis		0.6			V	
VOH High-level output voltage	$V_I = 0.6\text{ V}$, $I_{OH} = 10\text{ }\mu\text{A}$	$V_{CC+} = 5\text{ V}$, $V_{CC-} = -5\text{ V}$	3.7	4.1	4.5	V
		$V_{CC+} = 12\text{ V}$, $V_{CC-} = -12\text{ V}$	4.4	4.7	5.2	
	$V_I = 0.6\text{ V}$, $I_{OH} = 0.4\text{ mA}$	$V_{CC+} = 5\text{ V}$, $V_{CC-} = -5\text{ V}$	3.1	3.4	3.8	
		$V_{CC+} = 12\text{ V}$, $V_{CC-} = -12\text{ V}$	3.6	4	4.5	
VOL Low-level output voltage	$V_I = 2.3\text{ V}$, $I_{OL} = 24\text{ mA}$		0.2	0.3	V	
I _{IH} High-level input current	$V_I = 25\text{ V}$		3.6	10	mA	
	$V_I = 3\text{ V}$	0.43		1	mA	
I _{IL} Low-level input current	$V_I = -25\text{ V}$	-3.6		-10	mA	
	$V_I = -3\text{ V}$	-0.43	-0.67	-1	mA	
I _{OS} Short-circuit output current	$V_I = 0.6\text{ V}$		-2.8	-3.7	mA	

†All typical values are at $T_A = 25^\circ\text{C}$.

NOTE 2: The algebraic limit system, in which the more positive (less negative) limit is designated as maximum, is used in this data sheet for logic voltage levels only, e.g., if -8.8 V is the maximum, the typical value is a more negative value.

switching characteristics over recommended operating free-air temperature range, $V_{CC+} = 5\text{ V}$, $V_{CC-} = -5\text{ V}$, $C_L = 50\text{ pF}$ (unless otherwise noted)

driver section (see Figure 2)

PARAMETER	TEST CONDITIONS	MIN	TYP†	MAX	UNIT
t_{PLH} Propagation delay time, low-to-high-level output	$R_L = 3\text{ k}\Omega$		250	480	ns
t_{PHL} Propagation delay time high-to-low-level output			80	150	
t_r Output rise time	$R_L = 3\text{ k}\Omega$		67	180	ns
	$R_L = 3\text{ k}\Omega$ to $7\text{ k}\Omega$, $C_L = 2500\text{ pF}$		2.4	3	
t_f Output fall time	$R_L = 3\text{ k}\Omega$		48	160	ns
	$R_L = 3\text{ k}\Omega$ to $7\text{ k}\Omega$, $C_L = 2500\text{ pF}$		1.9	3	

receiver section (see Figure 3)

PARAMETER	TEST CONDITIONS	MIN	TYP†	MAX	UNIT
t_{PLH} Propagation delay time, low-to-high-level output	$R_L = 400\ \Omega$		175	245	ns
t_{PHL} Propagation delay time, high-to-low-level output			37	100	
t_r Output rise time	$R_L = 400\ \Omega$		255	360	ns
t_f Output fall time	$R_L = 400\ \Omega$		25	50	ns

†All typical values are at $T_A = 25^\circ\text{C}$.

PARAMETER MEASUREMENT INFORMATION

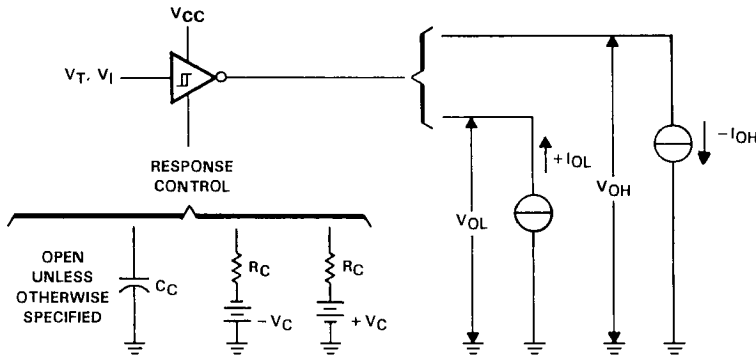
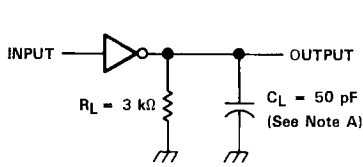
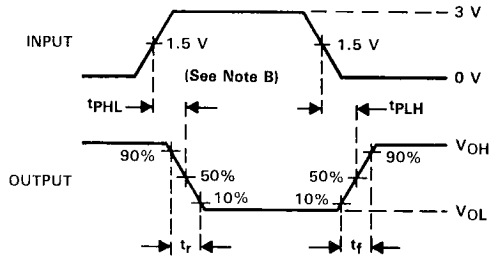


FIGURE 1. RECEIVER SECTION TEST CIRCUIT (V_{T+} , V_{T-} , V_{OH} , V_{OL})

PARAMETER MEASUREMENT INFORMATION



TEST CIRCUIT

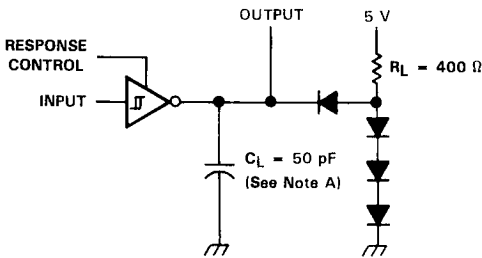


VOLTAGE WAVEFORMS

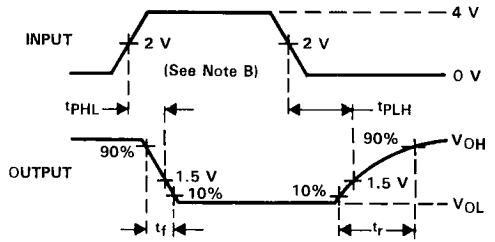
NOTES: A. C_L includes probe and jig capacitance.

B. The input waveform is supplied by a generator with the following characteristics: $Z_{out} = 50 \Omega$, $t_w = 1 \mu s$, $t_r \leq 10 ns$, $t_f \leq 10 ns$.

FIGURE 2. DRIVER SECTION SWITCHING TEST CIRCUIT AND VOLTAGE WAVEFORMS



TEST CIRCUIT



VOLTAGE WAVEFORMS

NOTES: A. C_L includes probe and jig capacitance.

B. The input waveform is supplied by a generator with the following characteristics: $Z_{out} = 50 \Omega$, $t_w = 1 \mu s$, $t_r \leq 10 ns$, $t_f \leq 10 ns$.

FIGURE 3. RECEIVER SECTION SWITCHING TEST CIRCUIT AND VOLTAGE WAVEFORMS

TYPICAL CHARACTERISTICS
(DRIVER)

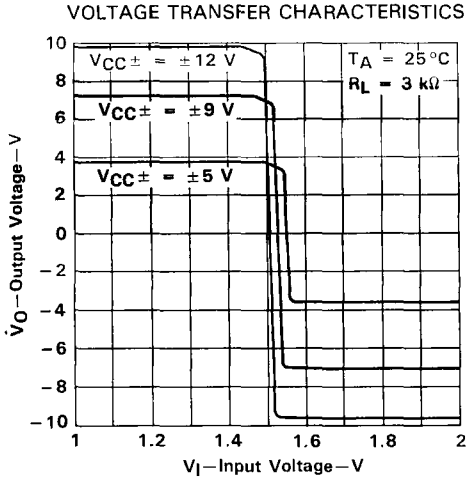


FIGURE 4

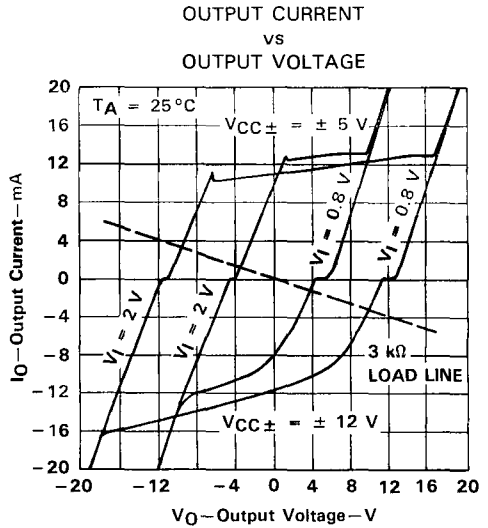


FIGURE 5

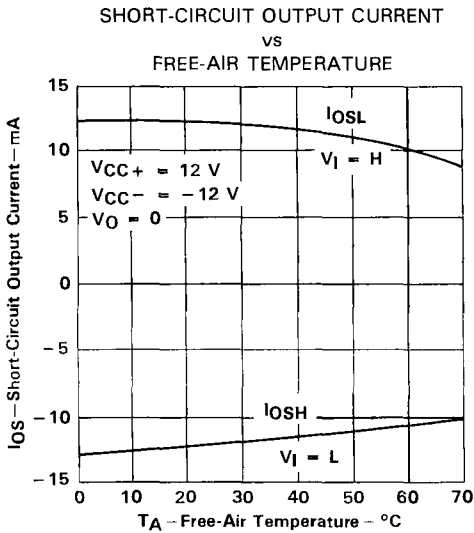


FIGURE 6

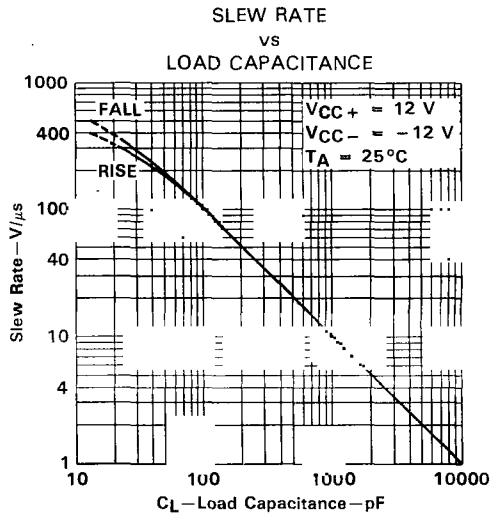


FIGURE 7

TYPICAL CHARACTERISTICS
 (RECEIVER)

OUTPUT VOLTAGE
 vs
 INPUT VOLTAGE

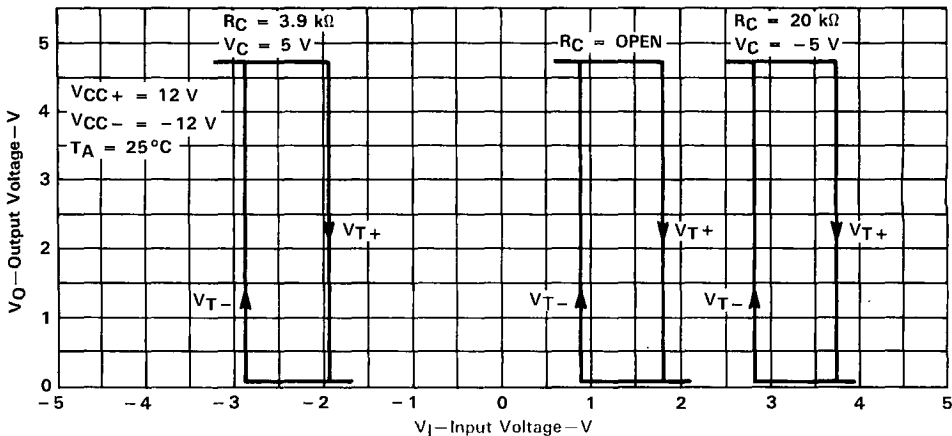


FIGURE 8

OUTPUT VOLTAGE
 vs
 INPUT VOLTAGE

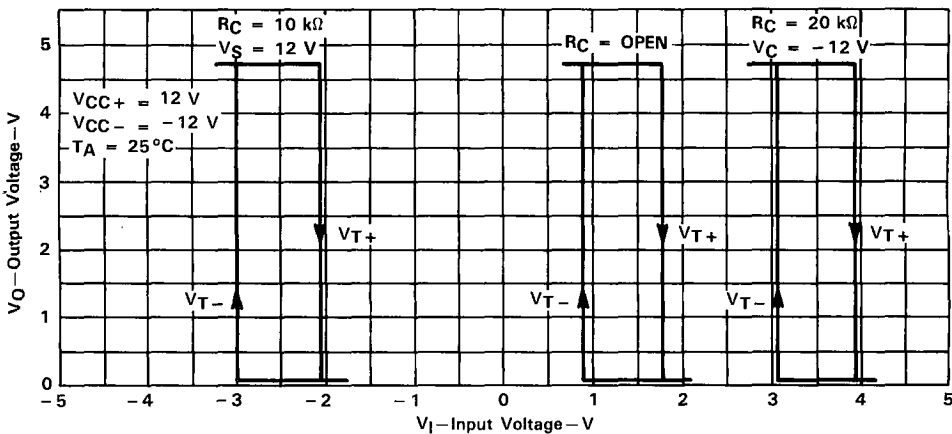


FIGURE 9

TYPICAL CHARACTERISTICS
(RECEIVER)

INPUT THRESHOLD VOLTAGE
vs
FREE-AIR TEMPERATURE

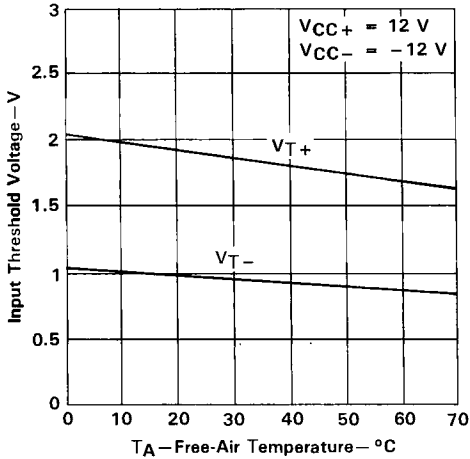


FIGURE 10

INPUT CURRENT
vs
INPUT VOLTAGE

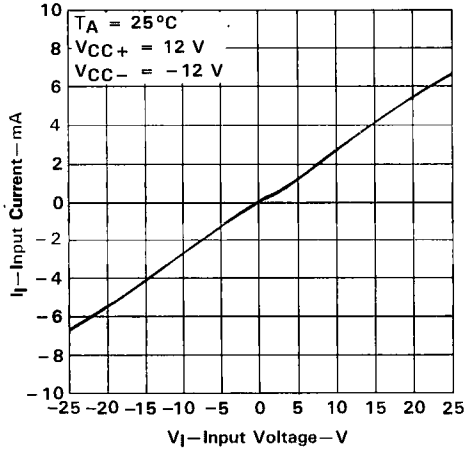


FIGURE 11

NOISE REJECTION

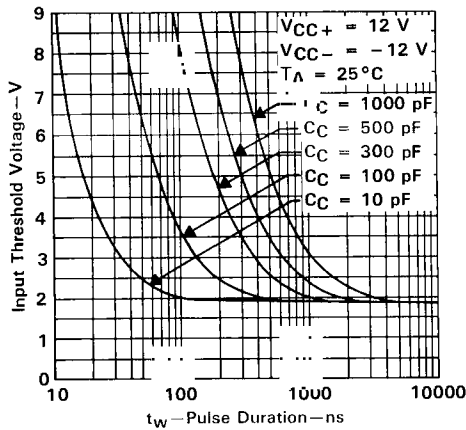
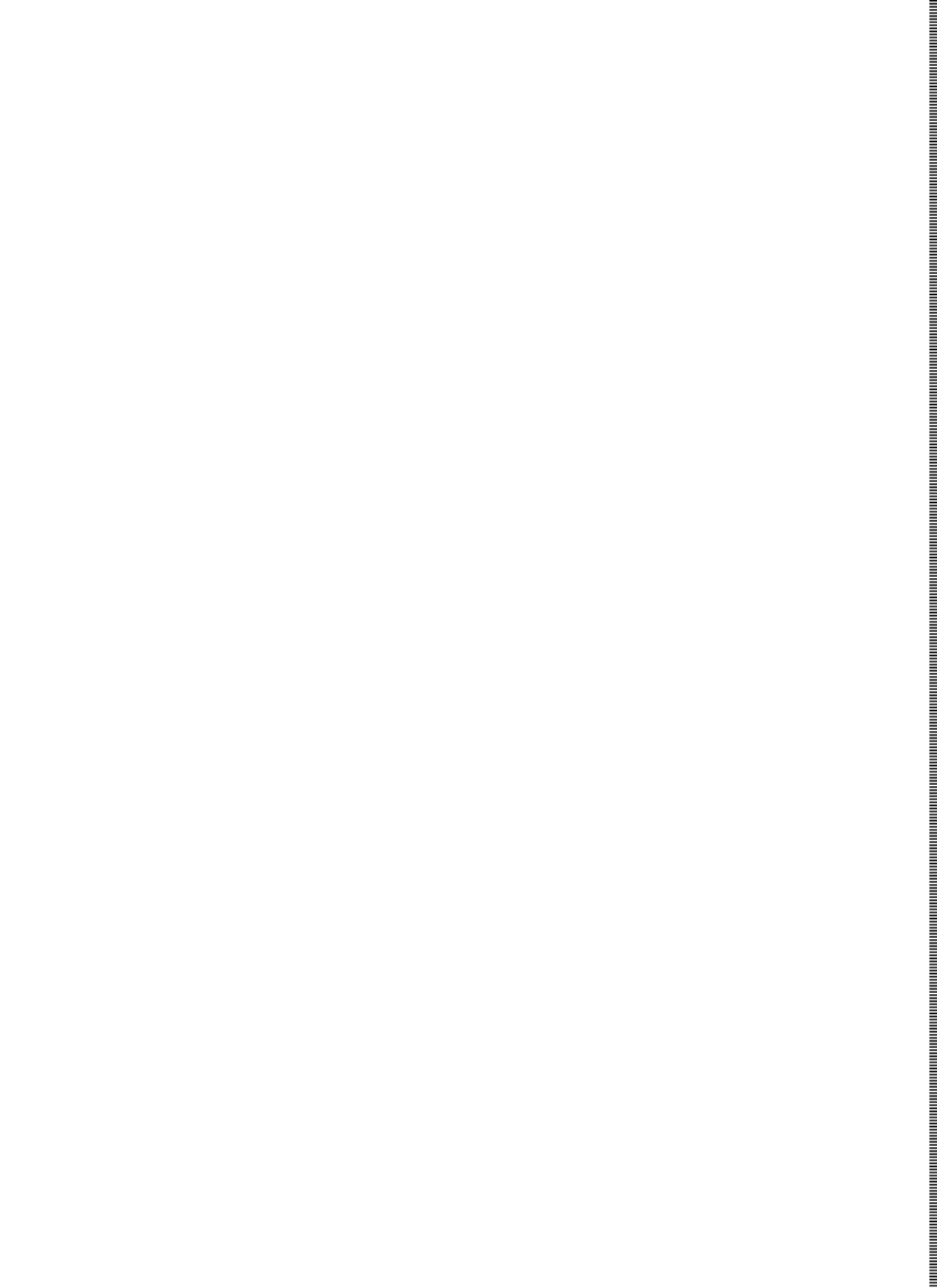


FIGURE 12

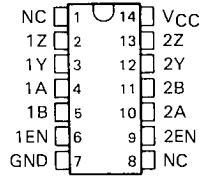


SN75159 DUAL DIFFERENTIAL LINE DRIVER WITH 3-STATE OUTPUTS

D2325, JANUARY 1977—REVISED SEPTEMBER 1986

- Meets EIA Standard RS-422-A
- Single 5-V Supply
- Balanced Line Operation
- TTL-Compatible
- High-Impedance Output State for Party-Line Applications
- High-Current Active-Pull-Up Outputs
- Short-Circuit Protection
- Dual Channels
- Clamp Diodes at Inputs

D, J, OR N PACKAGE
(TOP VIEW)



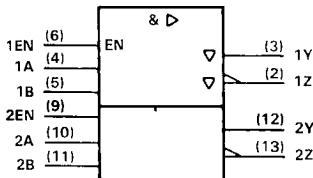
NC—No internal connection

description

The SN75159 dual differential line driver with three-state outputs is designed to provide all the features of the SN75158 line driver with the added feature of driver output controls. There is an individual control for each driver. When the output control is low, the associated outputs are in a high-impedance state and the outputs can neither drive nor load the bus. This permits many devices to be connected together on the same transmission line for party-line applications.

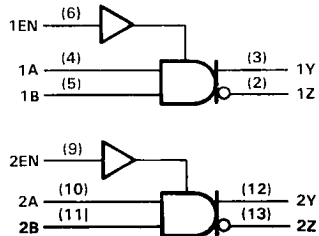
The SN75159 is characterized for operation from 0°C to 70°C.

logic symbol†



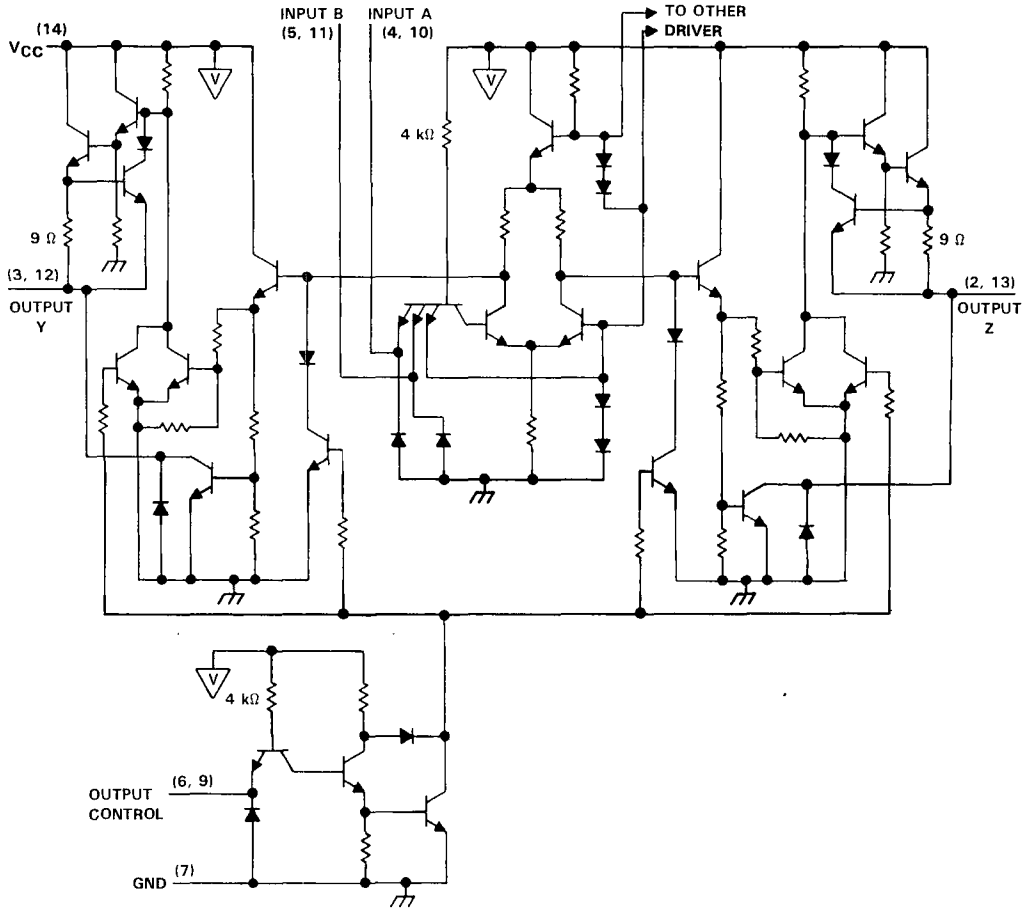
† This symbol is in accordance with ANSI/IEEE Std 91-1984 and IEC Publication 617-12.


logic diagram (positive logic)



**SN75159
DUAL DIFFERENTIAL LINE DRIVER
WITH 3-STATE OUTPUTS**

schematic (each driver)



 ... VCC bus

Resistor values shown are nominal.

SN75159 DUAL DIFFERENTIAL LINE DRIVER WITH 3-STATE OUTPUTS

absolute maximum ratings over operating free-air temperature range (unless otherwise noted)

Supply voltage, V_{CC} (see Note 1)	7 V
Input voltage	5.5 V
Off-state voltage applied to open-collector outputs	12 V
Continuous total dissipation at (or below) 25°C free-air temperature (see Note 2):	
D package	950 mW
J package	1025 mW
N package	1150 mW
Operating free-air temperature range	0°C to 70°C
Storage temperature range	-65°C to 150°C
Lead temperature 1,6 mm (1/16 inch) from case for 60 seconds: J package	300°C
Lead temperature 1,6 mm (1/16 inch) from case for 10 seconds: D or N package	260°C

- NOTES: 1. All voltage values except differential output voltage V_{OD} are with respect to the network ground terminal. V_{OD} is at the Y output with respect to the Z output.
2. For operation above 25°C free-air temperature, derate the D package to 608 mW at 70°C at the rate of 7.6 mW/°C, the J package to 656 mW at 70°C at the rate of 8.2 mW/°C, and the N package to 736 mW at 70°C at the rate of 9.2 mW/°C. In the J package, SN75159 chips are glass mounted.

recommended operating conditions

	MIN.	NOM	MAX	UNIT
Supply voltage, V_{CC}	4.5	5	5.25	V
High-level input voltage, V_{IH}	2			V
Low-level input voltage, V_{IL}			0.8	V
High-level output voltage, I_{OH}			-40	mA
Low-level output current, I_{OL}		40		mA
Operating free-air temperature, T_A	0		70	°C



SN75159
DUAL DIFFERENTIAL LINE DRIVER
WITH 3-STATE OUTPUTS

electrical characteristics over operating free-air temperature range (unless otherwise noted)

PARAMETER		TEST CONDITIONS		MIN	TYP [†]	MAX	UNIT	
V _{IK}	Input clamp voltage	V _{CC} = 4.75 V, I _I = -12 mA		-0.9	-1.5		V	
V _{OH}	High-level output voltage	V _{CC} = 4.75 V, V _{IL} = 0.8 V, V _{IH} = 2 V, I _{OH} = -40 mA		2.4	3.0		V	
V _{OL}	Low-level output voltage	V _{CC} = 4.75 V, V _{IL} = 0.8 V, V _{IH} = 2 V, I _{OL} = 40 mA		0.25	0.4		V	
V _{OK}	Output clamp voltage	V _{CC} = 5.25 V, I _O = -40 mA		-1.1	-1.5		V	
V _O	Output voltage	V _{CC} = 4.75 V to 5.25 V, I _O = 0		0		6	V	
V _{OD1}	Differential output voltage	V _{CC} = 5.25 V, I _O = 0			3.5	2V _{OD2}	V	
V _{OD2}	Differential output voltage	V _{CC} = 4.75 V		2	3.0		V	
Δ V _{OD}	Change in magnitude of differential output voltage [‡]	V _{CC} = 4.75 V	R _L = 100 Ω, See Figure 1	±0.02		±0.4	V	
V _{OC}	Common-mode output voltage [§]	V _{CC} = 5.25 V		1.8		3		V
		V _{CC} = 4.75 V		1.5		3		
Δ V _{OC}	Change in magnitude of common-mode output voltage [‡]	V _{CC} = 4.75 V to 5.25 V			±0.01		±0.4	V
I _O	Output current with power off	V _{CC} = 0	V _O = 6 V		0.1	100	μA	
			V _O = -0.25 V		-0.1	-100		
			V _O = -0.25 V to 6 V			±100		
I _{OZ}	Off-state (high impedance-state) output current	V _{CC} = 5.25 V, Output controls at 0.8 V	T _A = 25°C, V _O = 0 to V _{CC}			±10	μA	
				V _O = 0				-20
			T _A = 70°C	V _O = 0.4 V				±20
				V _O = 2.4 V				±20
			V _O = V _{CC}			20		
I _I	Input current at maximum input voltage	V _{CC} = 5.25 V, V _I = 5.5 V				1	mA	
I _{IH}	High-level input current	V _{CC} = 5.25 V, V _I = 2.4 V				40	μA	
I _{IL}	Low-level input current	V _{CC} = 5.25 V, V _I = 0.4 V				-1	-1.6	mA
I _{OS}	Short-circuit output current [¶]	V _{CC} = 5.25 V		-40	-90	-150	mA	
I _{CC}	Supply current (both drivers)	V _{CC} = 5.25 V, Inputs grounded, No load, T _A = 25°C			47	65	mA	

[†] All typical values are at V_{CC} = 5 V and T_A = 25°C except for V_{OC}, for which V_{CC} is as stated under test conditions.

[‡] Δ|V_{OD}| and Δ|V_{OC}| are the changes in magnitudes of V_{OD} and V_{OC}, respectively, that occur when the input is changed from a high level to a low level.

[§] In EIA Standard RS-422-A, V_{OC}, which is the average of the two output voltages with respect to ground, is called output offset voltage, V_{OS}.

[¶] Only one output should be shorted at a time, and duration of the short-circuit should not exceed one second.

SN75159
DUAL DIFFERENTIAL LINE DRIVER
WITH 3-STATE OUTPUTS

switching characteristics over operating free-air temperature range, $V_{CC} = 5\text{ V}$ (unless otherwise noted)

PARAMETER	TEST CONDITIONS	MIN	TYP†	MAX	UNIT
t_{PLH} Propagation delay time, low-to-high-level output	$C_L = 30\text{ pF}$, $R_L = 100\ \Omega$, See Figure 2, Termination A		16	25	ns
t_{PHL} Propagation delay time, high-to-low-level output	Termination A		11	20	ns
t_{PLH} Propagation delay time, low-to-high-level output	$C_L = 15\text{ pF}$, See Figure 2, Termination B		13	20	ns
t_{PHL} Propagation delay time, high-to-low-level output	Termination B		9	15	ns
t_{TLH} Transition time, low-to-high-level output	$C_L = 30\text{ pF}$, $R_L = 100\ \Omega$, See Figure 2, Termination A		4	20	ns
t_{THL} Transition time, high-to-low-level output	Termination A		4	20	ns
t_{PZH} Output enable time to high level	$C_L = 30\text{ pF}$, $R_L = 100\ \Omega$, See Figure 3		7	20	ns
t_{PZL} Output enable time to low level	$C_L = 30\text{ pF}$, $R_L = 100\ \Omega$, See Figure 4		14	40	ns
t_{PHZ} Output disable time from high level	$C_L = 30\text{ pF}$, $R_L = 180\ \Omega$, See Figure 3		10	30	ns
t_{PLZ} Output disable time from low level	$C_L = 30\text{ pF}$, $R_L = 250\ \Omega$, See Figure 4		17	35	ns
Overshoot factor	$R_L = 100\ \Omega$, See Figure 2, Termination C			10	%

† All typical values are at $T_A = 25^\circ\text{C}$.

SYMBOL EQUIVALENTS

DATA SHEET PARAMETER	RS-422-A
V_O	V_{Oa}, V_{Ob}
$ V_{OD1} $	V_O
$ V_{OD2} $	V_t
$\Delta V_{OD} $	$ V_t - V_t $
V_{OC}	$ V_{Os} $
$\Delta V_{OC} $	$ V_{Os} - \bar{V}_{Os} $
I_{OS}	$ I_{sa} , I_{sb} $
I_O	$ I_{xa} , I_{xb} $

PARAMETER MEASUREMENT INFORMATION

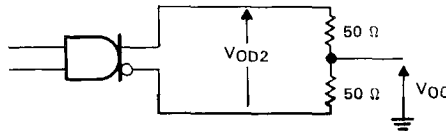
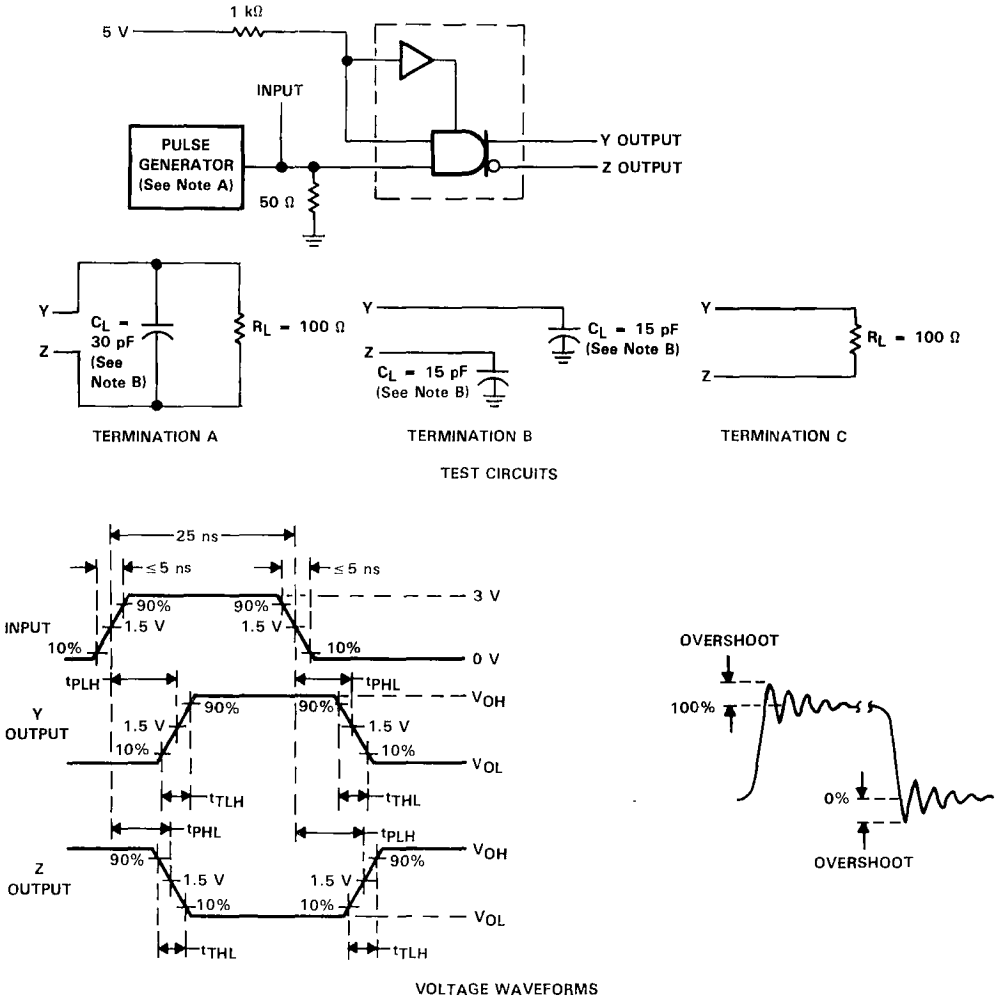


FIGURE 1. DIFFERENTIAL AND COMMON-MODE OUTPUT VOLTAGES

**SN75159
DUAL DIFFERENTIAL LINE DRIVER
WITH 3-STATE OUTPUTS**

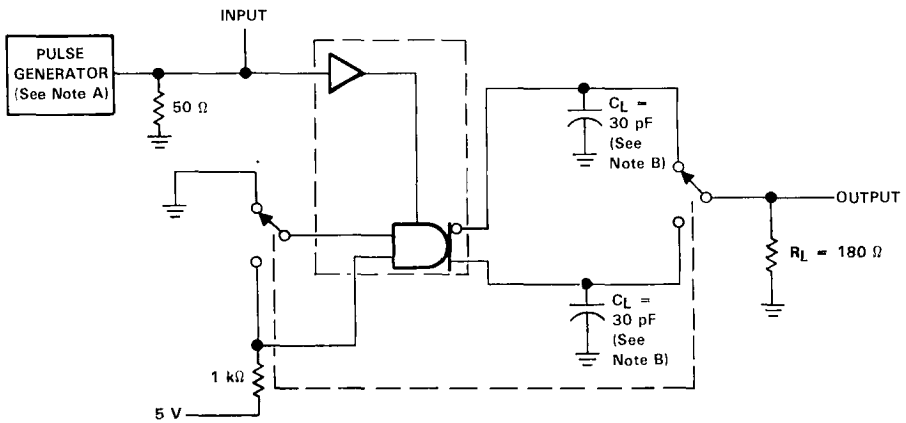
PARAMETER MEASUREMENT INFORMATION



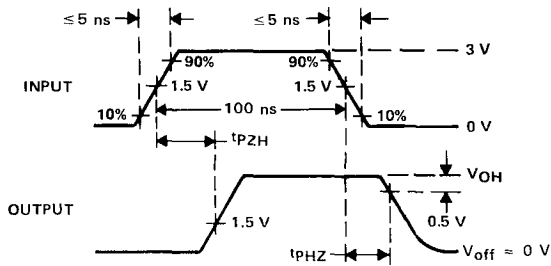
NOTES: A. The pulse generator has the following characteristics: $Z_{out} = 50 \Omega$, $PRR \leq 10 \text{ MHz}$.
 B. C_L includes probe and jig capacitance.

FIGURE 2. t_{PLH} , t_{PHL} , t_{TLH} , t_{THL} , AND OVERSHOOT FACTOR

PARAMETER MEASUREMENT INFORMATION



TEST CIRCUIT



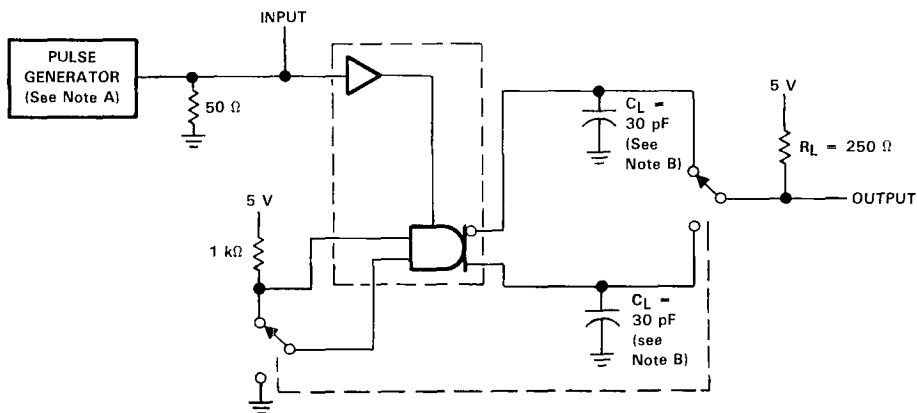
VOLTAGE WAVEFORMS

- NOTES: A. The pulse generator has the following characteristics: $Z_{out} = 50 \Omega$, $PRR \leq 500$ kHz.
 B. C_L includes probe and jig capacitance.

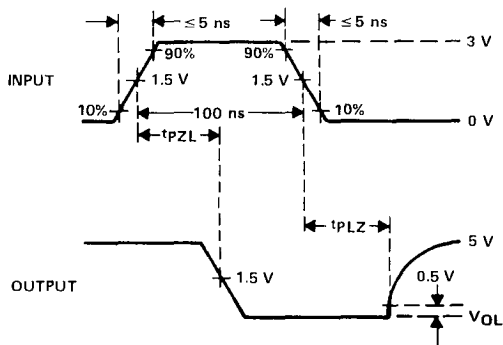
FIGURE 3. t_{pZH} AND t_{pHZ}

**SN75159
DUAL DIFFERENTIAL LINE DRIVER
WITH 3-STATE OUTPUTS**

PARAMETER MEASUREMENT INFORMATION



TEST CIRCUIT



VOLTAGE WAVEFORMS

NOTES: A. The pulse generator has the following characteristics: $Z_{out} = 50\ \Omega$, $PRR \leq 500\text{ kHz}$.
C. C_L includes probe and jig capacitance.

FIGURE 4. t_{pZL} AND t_{pLZ}

TYPICAL CHARACTERISTICS

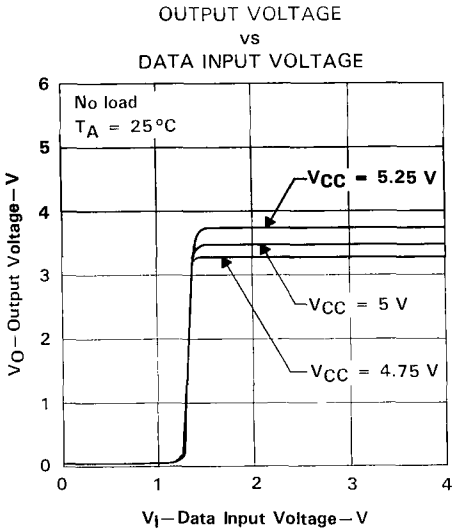


FIGURE 5

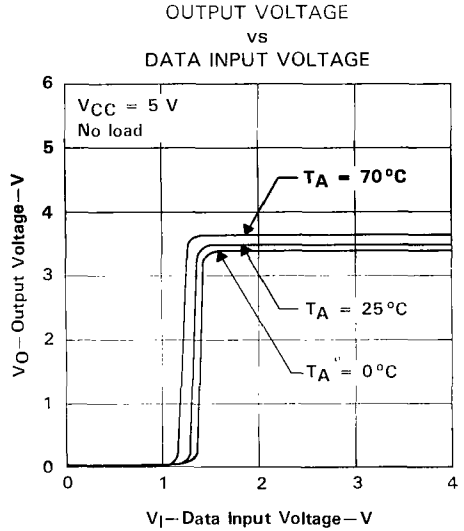


FIGURE 6

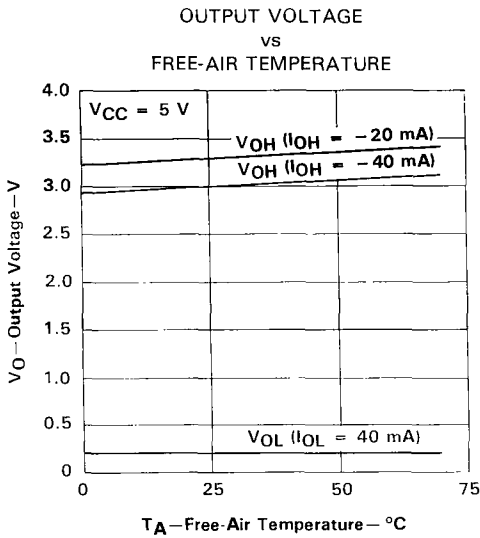


FIGURE 7

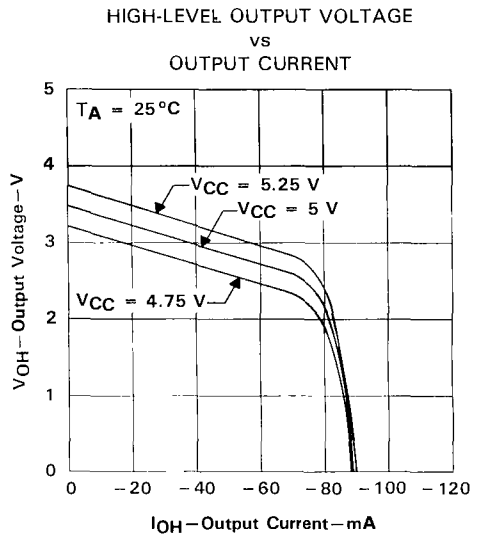


FIGURE 8

**SN75159
DUAL DIFFERENTIAL LINE DRIVER
WITH 3-STATE OUTPUTS**

TYPICAL CHARACTERISTICS

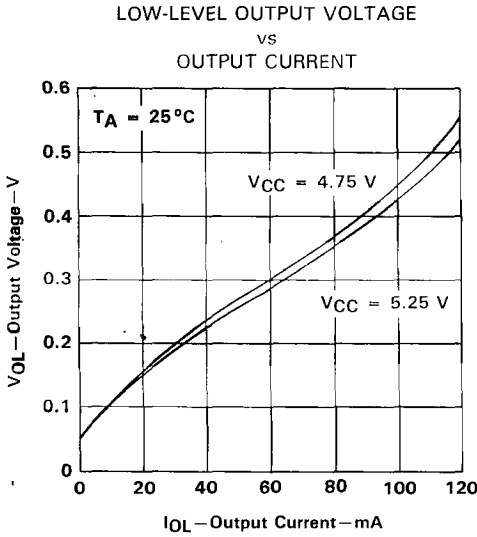


FIGURE 9

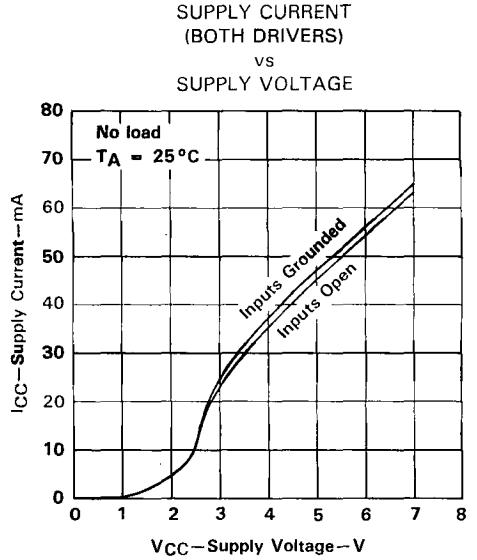


FIGURE 10

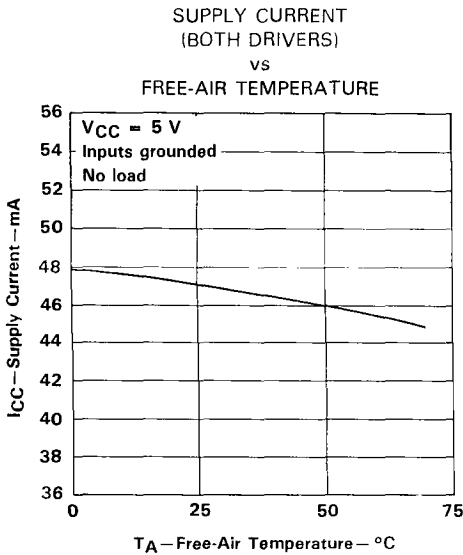


FIGURE 11

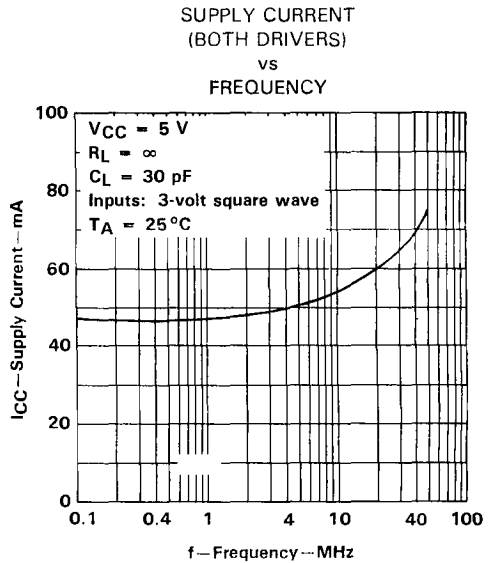


FIGURE 12

TYPICAL CHARACTERISTICS

PROPAGATION DELAY TIMES
 FROM DATA INPUTS
 VS
 FREE-AIR TEMPERATURE

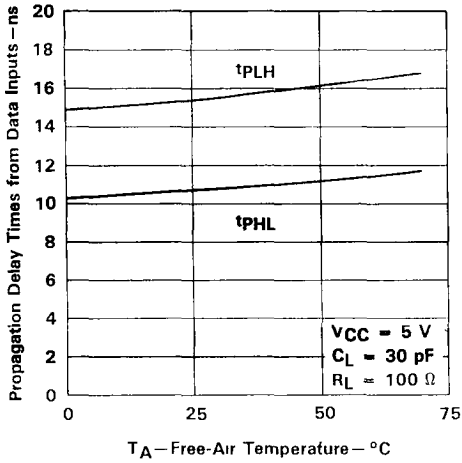


FIGURE 13

OUTPUT ENABLE AND DISABLE TIMES
 VS
 FREE-AIR TEMPERATURE

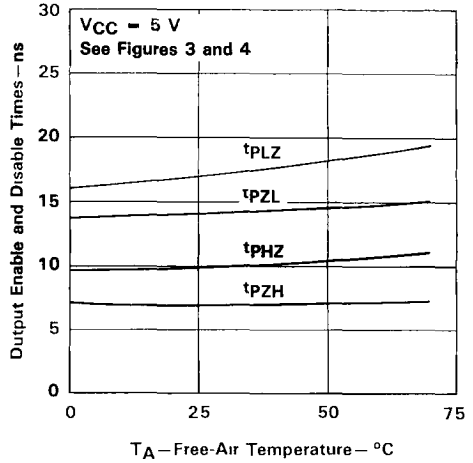


FIGURE 14



SN75160B OCTAL GENERAL-PURPOSE INTERFACE BUS TRANSCEIVER

D2525, OC* 1985

MEETS IEEE STANDARD 488-1978 (GPIB)

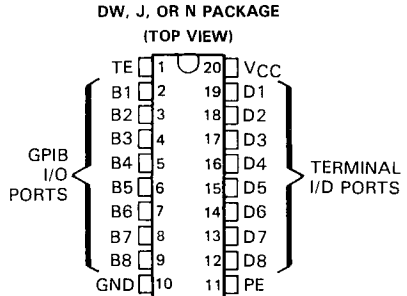
- 8-Channel Bidirectional Transceiver
- Power-Up/Power-Down Protection (Glitch-Free)
- High-Speed, Low-Power Schottky Circuitry
- Low-Power Dissipation . . . 72 mW Max Per Channel
- Fast Propagation Times . . . 22 ns Max
- High-Impedance P-N-P Inputs
- Receiver Hysteresis . . . 650 mV Typ
- Open-Collector Driver Output Option
- No Loading of Bus When Device Is Powered Down ($V_{CC} = 0$)

description

The SN75160B 8-channel general-purpose interface bus transceiver is a monolithic, high-speed, low-power Schottky device designed for two-way data communications over single-ended transmission lines. It is designed to meet the requirements of IEEE Standard 488-1978. The transceiver features driver outputs that can be operated in either the passive-pullup or 3-state mode. If Talk Enable (TE) is high, these ports have the characteristics of passive-pullup outputs when Pullup Enable (PE) is low, and of 3-state outputs when PE is high. Taking TE low places these ports in the high-impedance state. The driver outputs are designed to handle loads up to 48 mA of sink current.

Output glitches during power-up and power-down are eliminated by an internal circuit that disables both the bus and receiver outputs. The outputs do not load the bus when $V_{CC} = 0$. When combined with the SN75161B or SN75162B management bus transceivers, the pair provides the complete 16-wire interface for the IEEE 488 bus.

The SN75160B is characterized for operation from 0°C to 70°C.



FUNCTION TABLES

EACH DRIVER

INPUTS			OUTPUT
D	TE	PE	B
H	H	H	H
L	H	X	L
H	X	L	Z [†]
X	L	X	Z [†]

EACH RECEIVER

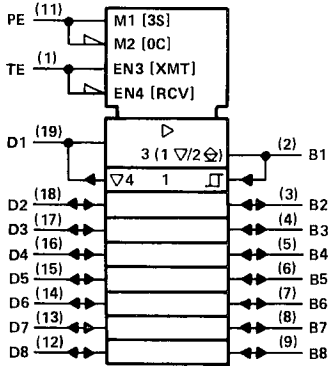
INPUTS			OUTPUT
B	IE	FE	D
L	L	X	L
H	L	X	H
X	H	X	Z

H = high level, L = low level, X = irrelevant, Z = High-impedance state.

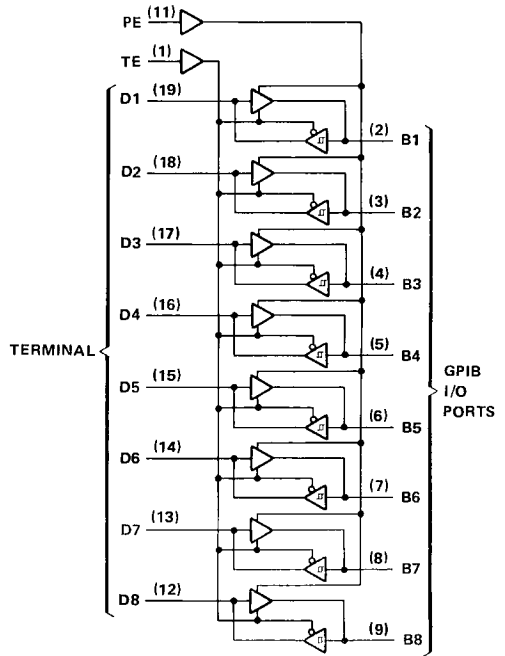
[†] This is the high-impedance state of a normal 3-state output modified by the internal resistors to V_{CC} and ground.

SN75160B OCTAL GENERAL-PURPOSE INTERFACE BUS TRANSCEIVER

logic symbol†

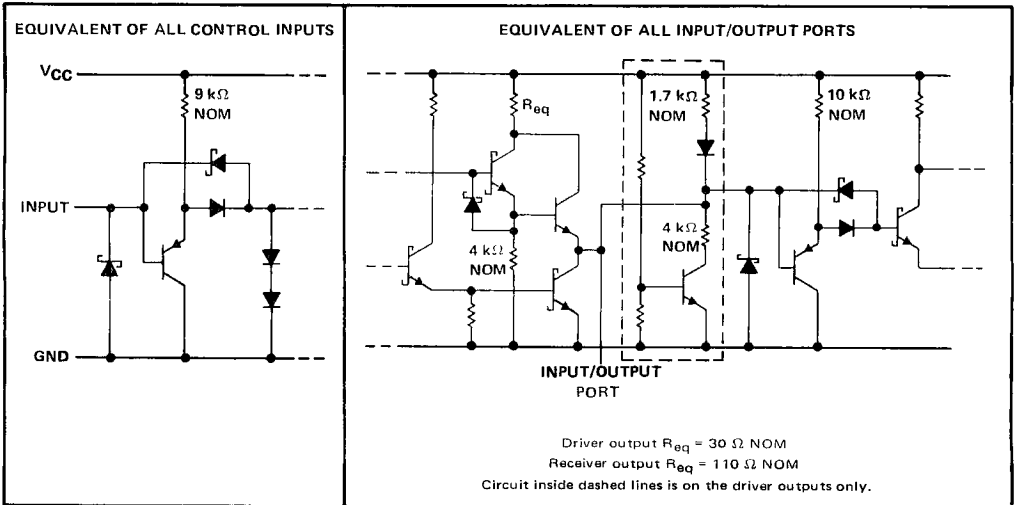


logic diagram (positive logic)



† This symbol is in accordance with ANSI/IEEE Std 91-1984 and IEC Publication 617-12.
 ▽ Designates 3-state outputs.
 ⊕ Designates passive-pullup outputs.

schematics of inputs and outputs



SN75160B OCTAL GENERAL-PURPOSE INTERFACE BUS TRANSCEIVER

absolute maximum ratings over operating free-air temperature range (unless otherwise noted)

Supply voltage, V_{CC} (see Note 1)	7 V
Input voltage	5.5 V
Low-level driver output current	100 mA
Continuous total power dissipation (see Note 2)	See Dissipation Rating Table
Operating free-air temperature range	0°C to 70°C
Storage temperature range	-65°C to 150°C
Lead temperature 1,6 mm (1/16 inch) from the case for 60 seconds: J package	300°C
Lead temperature 1,6 mm (1/16 inch) from the case for 10 seconds: DW or N package	260°C

- NOTES: 1. All voltage values are with respect to network ground terminal.
 2. In the J package, SN75160B chips are alloy mounted.

DISSIPATION RATING TABLE

PACKAGE	$T_A \leq 25^\circ\text{C}$	DERATING FACTOR	$T_A = 70^\circ\text{C}$
	POWER RATING	ABOVE $T_A = 25^\circ\text{C}$	POWER RATING
DW	1125 mW	9.0 mW/°C	720 mW
J	1375 mW	11.0 mW/°C	880 mW
N	1150 mW	9.2 mW/°C	736 mW

recommended operating conditions

		MIN	NOM	MAX	UNIT
Supply voltage, V_{CC}		4.75	5	5.25	V
High-level input voltage, V_{IH}		2			V
Low-level input voltage, V_{IL}		0.8			V
High-level output current, I_{OH}	Bus ports with pull-ups active	-5.2			mA
	Terminal ports	-			μA
Low-level output current, I_{DL}	Bus ports	40			mA
	Terminal ports	16			mA
Operating free-air temperature, T_A		0	70		°C

electrical characteristics over recommended ranges of supply voltage and operating free-air temperature (unless otherwise noted)

PARAMETER		TEST CONDITIONS		MIN	TYP [†]	MAX	UNIT
V _{IK}	Input clamp voltage		I _I = -18 mA	-0.8	-1.5		V
V _{hys}	Hysteresis (V _{T+} - V _{T-})	Bus		0.4	0.65		V
V _{OH}	High-level output voltage	Terminal	I _{OH} = -800 μA, TE at 0.8 V	2.7	3.5		V
		Bus	I _{OH} = -5.2 mA, PE and TE at 2 V	2.5	3.3		
V _{OL}	Low-level output voltage	Terminal	I _{OL} = 16 mA, TE at 0.8 V	0.3	0.5		V
		Bus	I _{OL} = 48 mA, TE at 2 V	0.35	0.5		
I _I	Input current at maximum input voltage	Terminal	V _I = 5.5 V	0.2	100		μA
I _{IH}	High-level input current	Terminal	V _I = 2.7 V	0.1	20		μA
I _{IL}	Low-level input current	Terminal	V _I = 0.5 V	-10	-100		μA
V _{I/O(bus)}	Voltage at bus port	Driver disabled	I _{I(bus)} = 0	2.5	3.0	3.7	V
			I _{I(bus)} = -12 mA			-1.5	
I _{I/O(bus)}	Current into bus port	Power on	Driver disabled	V _{I(bus)} = -1.5 V to 0.4 V	-1.3		mA
				V _{I(bus)} = 0.4 V to 2.5 V	0	-3.2	
				V _{I(bus)} = 2.5 V to 3.7 V		+2.5	
				V _{I(bus)} = 3.7 V to 5 V	0	2.5	
				V _{I(bus)} = 5 V to 5.5 V	0.7	2.5	
		Power off	V _{CC} = 0, V _{I(bus)} = 0 to 2.5 V		-40	μA	
I _{OS}	Short-circuit output current	Terminal		-15	-35	-75	mA
		Bus		-25	-50	-125	
I _{CC}	Supply current	No load	Receivers low and enabled	70	90		mA
			Drivers low and enabled	85	110		
C _{i/o(bus)}	Bus-port capacitance		V _{CC} = 5 V to 0, V _{I/O} = 0 to 2 V, f = 1 MHz	30			pF

[†]All typical values are at V_{CC} = 5 V, T_A = 25°C.

switching characteristics, V_{CC} = 5 V, C_L = 15 pF, T_A = 25°C (unless otherwise noted)

PARAMETER		FROM	TO	TEST CONDITIONS	MIN	TYP	MAX	UNIT
t _{PLH}	Propagation delay time, low-to-high-level output	Terminal	Bus	C _L = 30 pF, See Figure 1	14	20		ns
t _{PHL}	Propagation delay time, high-to-low-level output				14	20		
t _{PLH}	Propagation delay time, low-to-high-level output	Bus	Terminal	C _L = 30 pF, See Figure 2	10	20		ns
t _{PHL}	Propagation delay time, high-to-low-level output				15	22		
t _{pZH}	Output enable time to high level	TE	Bus	See Figure 3	25	35		ns
t _{PHZ}	Output disable time from high level				13	22		
t _{pZL}	Output enable time to low level				22	35		
t _{PLZ}	Output disable time from low level				22	32		
t _{pZH}	Output enable time to high level	TE	Terminal	See Figure 4	20	30		ns
t _{PHZ}	Output disable time from high level				12	20		
t _{pZL}	Output enable time to low level				23	32		
t _{PLZ}	Output disable time from low level				19	30		
t _{en}	Output pull-up enable time	PE	Bus	See Figure 5	15	22		ns
t _{dis}	Output pull-up disable time				13	20		

PARAMETER MEASUREMENT INFORMATION

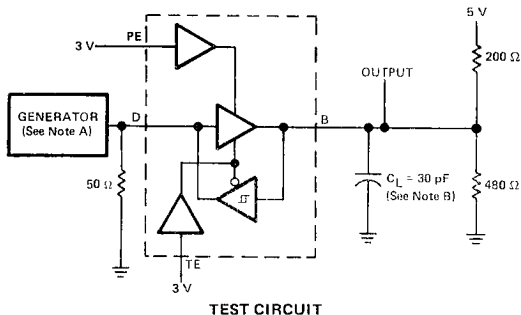
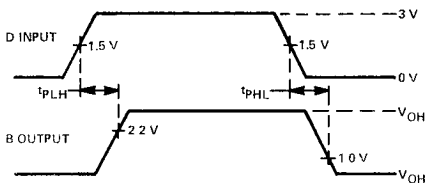


FIGURE 1. TERMINAL-TO-BUS PROPAGATION DELAY TIMES



VOLTAGE WAVEFORMS

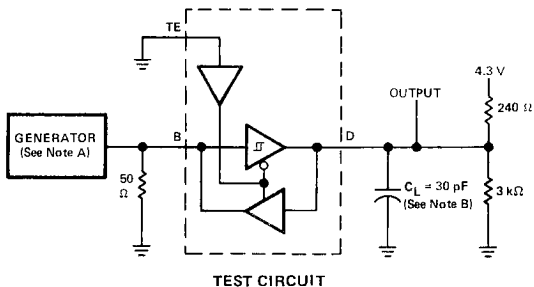
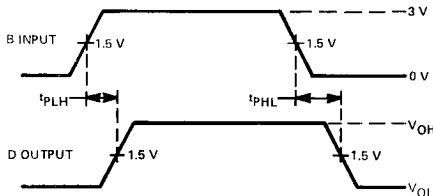


FIGURE 2. BUS-TO-TERMINAL PROPAGATION DELAY TIMES



VOLTAGE WAVEFORMS

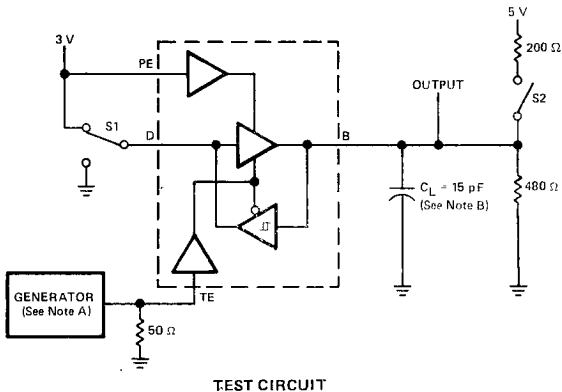
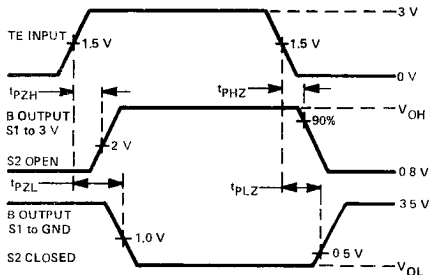


FIGURE 3. TE-TO-BUS ENABLE AND DISABLE TIMES



VOLTAGE WAVEFORMS

- NOTES: A. The input pulse is supplied by a generator having the following characteristics: PRR \leq 1 MHz, 50% duty cycle, $t_r \leq$ 6 ns, $t_f \leq$ ns, $Z_o = 50 \Omega$.
B. C_L includes probe and jig capacitance.

**SN75160B
OCTAL GENERAL-PURPOSE INTERFACE BUS TRANSCEIVER**

PARAMETER MEASUREMENT INFORMATION

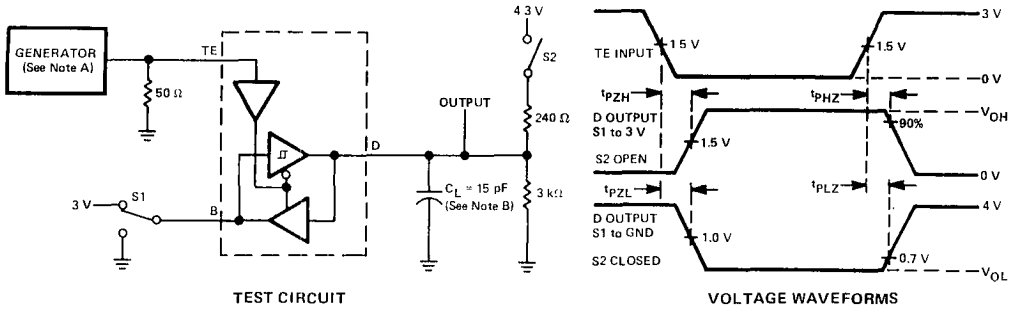


FIGURE 4. TE-TO-TERMINAL ENABLE AND DISABLE TIMES

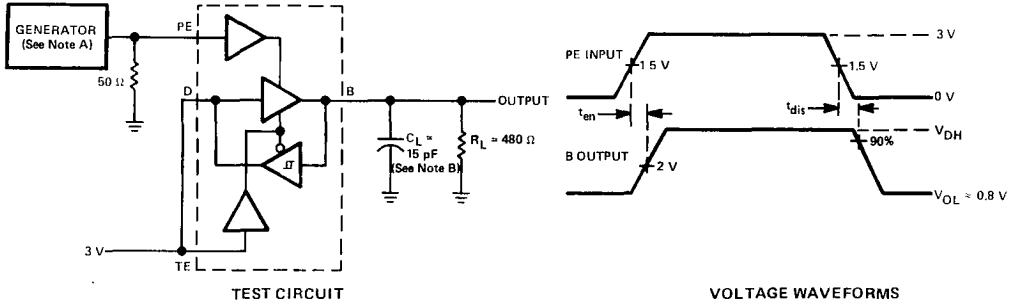


FIGURE 5. PE-TO-BUS PULLUP ENABLE AND DISABLE TIMES

- NOTES: A. The input pulse is supplied by a generator having the following characteristics: PRR \leq 1 MHz, 50% duty cycle, $t_r \leq$ 6 ns, $t_f \leq$ ns, $Z_0 = 50 \Omega$.
- B. C_L includes probe and jig capacitance.

TYPICAL CHARACTERISTICS

TERMINAL HIGH-LEVEL OUTPUT VOLTAGE
 vs
 HIGH-LEVEL OUTPUT CURRENT

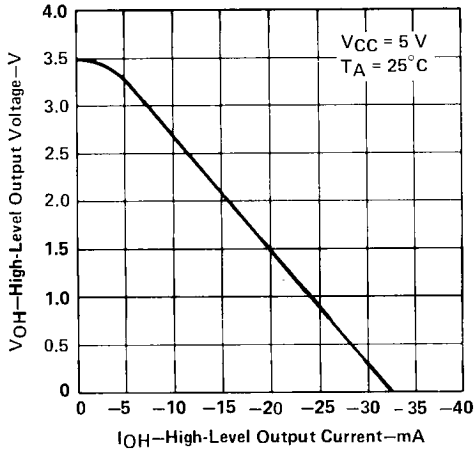


FIGURE 6

TERMINAL LOW-LEVEL OUTPUT VOLTAGE
 vs
 LOW-LEVEL OUTPUT CURRENT

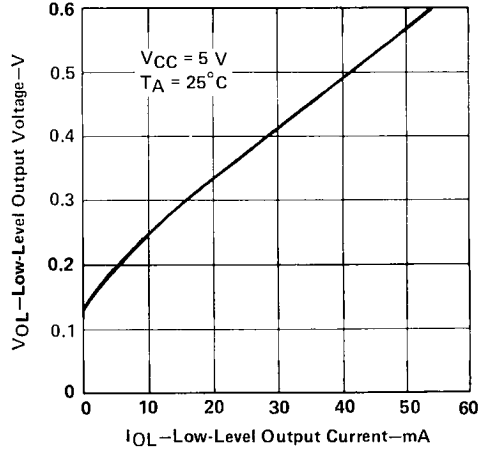


FIGURE 7

TERMINAL OUTPUT VOLTAGE
 vs
 BUS INPUT VOLTAGE

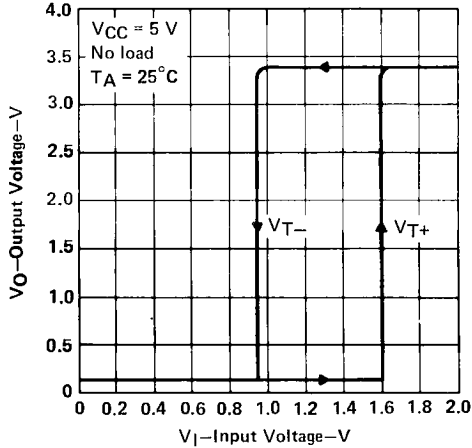


FIGURE 8

SN75160B
OCTAL GENERAL-PURPOSE INTERFACE BUS TRANSCEIVER

TYPICAL CHARACTERISTICS

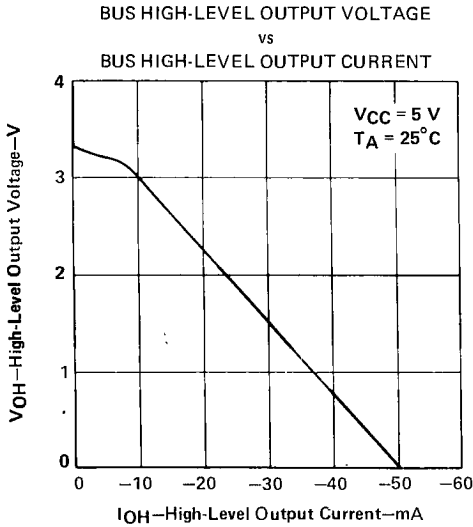


FIGURE 9

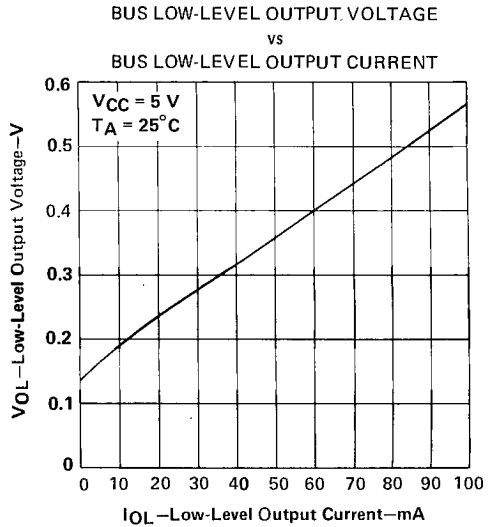


FIGURE 10

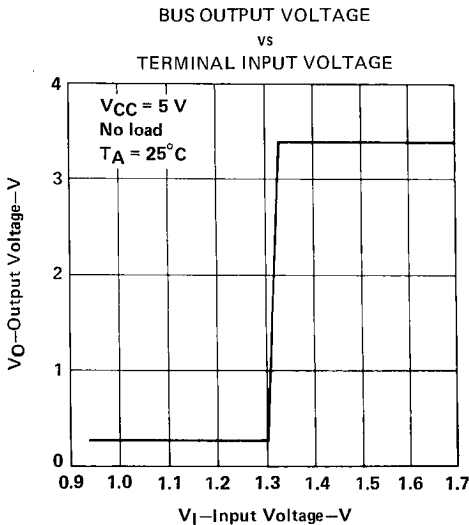


FIGURE 11

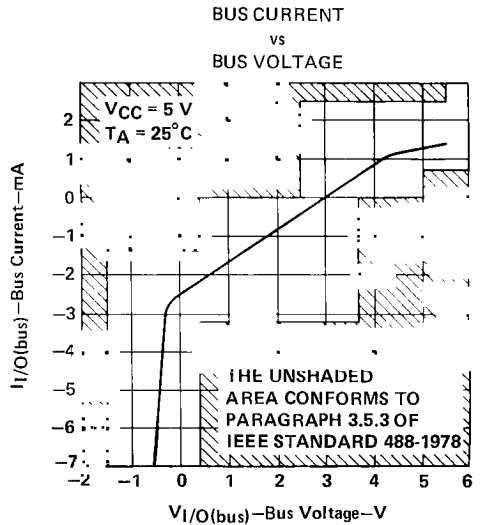


FIGURE 12

SN75161B, SN75162B OCTAL GENERAL-PURPOSE INTERFACE BUS TRANSCEIVERS

D2618, OCTOBER 1980—REVISED OCTOBER 1985

MEETS IEEE STANDARD 488-1978 (GPIB)

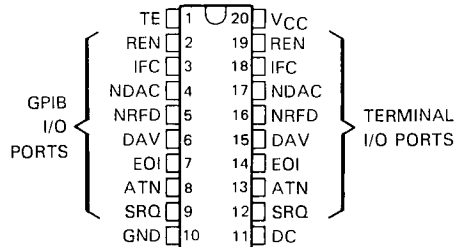
- 8-Channel Bidirectional Transceiver
- Power-Up/Power-Down Protection (Glitch-Free)
- Designed to Implement Control Bus Interface
- SN75161B Designed for Single Controller
- SN75162B Designed for Multi-Controllers
- High-Speed, Low-Power Schottky Circuitry
- Low-Power Dissipation . . . 72 mW Max Per Channel
- Fast Propagation Times . . . 22 ns Max
- High-Impedance P-N-P Inputs
- Receiver Hysteresis . . . 650 mV Typ
- Bus-Terminating Resistors Provided on Driver Outputs
- No Loading of Bus When Device Is Powered Down ($V_{CC} = 0$)

description

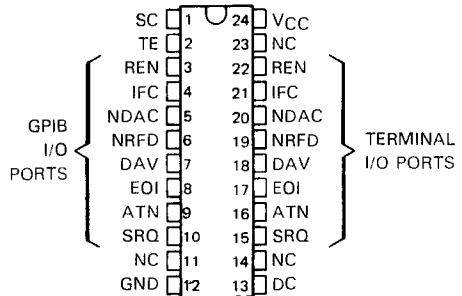
The SN75161B and SN75162B eight-channel general-purpose interface bus transceivers are monolithic, high-speed, low-power Schottky devices designed to meet the requirements of IEEE Standard 488-1978. Each transceiver is designed to provide the bus-management and data-transfer signals between operating units of a single- or multiple-controller instrumentation system. When combined with the SN75160B octal bus transceiver, the SN75161B or SN75162B provides the complete 16-wire interface for the IEEE 488 bus.

The SN75161B and SN75162B each features eight driver-receiver pairs connected in a front-to-back configuration to form input/output (I/O) ports at both the bus and terminal sides. A power up/down disable circuit is included on all bus and receiver outputs. This provides glitch-free operation during V_{CC} power-up and power-down. The direction of data through these driver-receiver pairs is determined by the DC, TE, and SC (on SN75162B) enable signals. The SC input on the SN75162B allows the REN and IFC transceivers to be controlled independently.

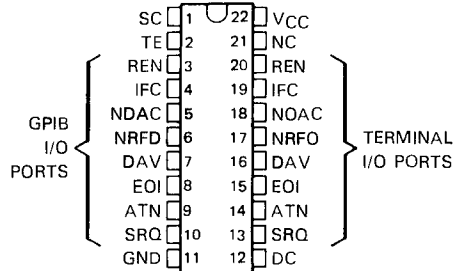
SN75161B . . . DW, J, OR N PACKAGE
(TOP VIEW)



SN75162B . . . DW PACKAGE
(TOP VIEW)



SN75162B . . . N PACKAGE
(TOP VIEW)



NC—No internal connection

SN75161B, SN75162B OCTAL GENERAL-PURPOSE INTERFACE BUS TRANSCEIVERS

description (continued)

The driver outputs (GPIB I/O ports) feature active bus-terminating resistor circuits designed to provide a high impedance to the bus when supply voltage V_{CC} is 0. The drivers are designed to handle loads up to 48 mA of sink current. Each receiver features p-n-p transistor inputs for high input impedance and hysteresis of 400 mV for increased noise immunity. All receivers have 3-state outputs to present a high impedance to the terminal when disabled.

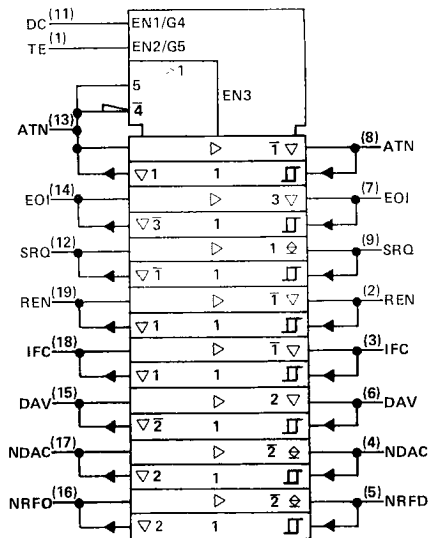
The SN75161B and SN75162B are characterized for operation from 0°C to 70°C.

CHANNEL IDENTIFICATION TABLE

NAME	IDENTITY	CLASS
DC	Direction Control	
TE	Talk Enable	Control
SC	System Control (SN75162B only)	
ATN	Attention	
SRQ	Service Request	
REN	Remote Enable	Bus Management
IFC	Interface Clear	
EOI	End or Identify	
DAV	Data Valid	Data Transfer
NDAC	Not Data Accepted	
NRFD	Not Ready for Data	

SN75161B OCTAL GENERAL-PURPOSE INTERFACE BUS TRANSCEIVER

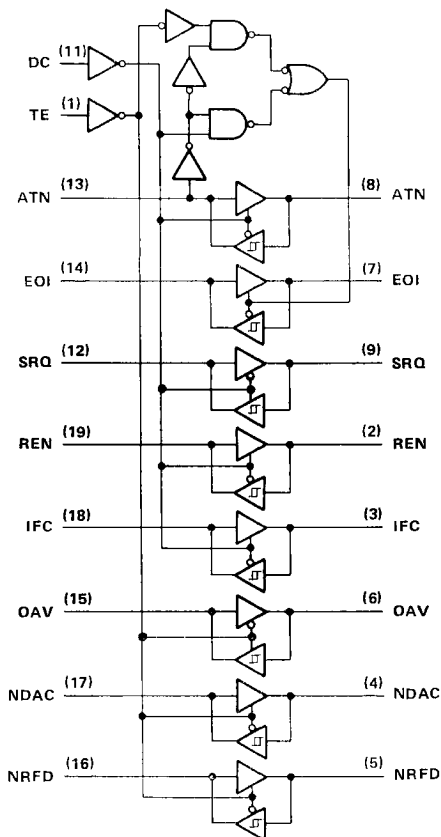
SN75161B logic symbol†



† This symbol is in accordance with IEEE Std 91-1984 and IEC publication 617-12.

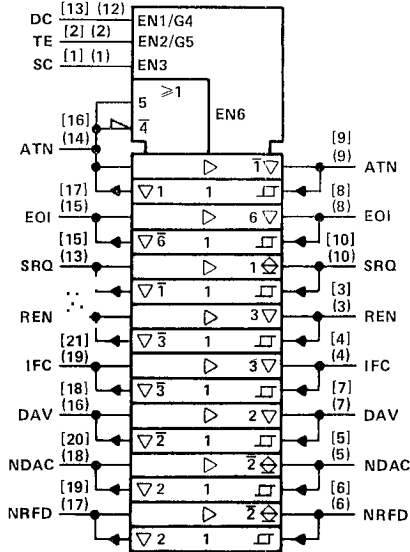
∇ designates 3-state output, ⊗ designates passive-pull outputs.

SN75161B logic diagram (positive logic)



SN75162B OCTAL GENERAL-PURPOSE INTERFACE BUS TRANSCEIVER

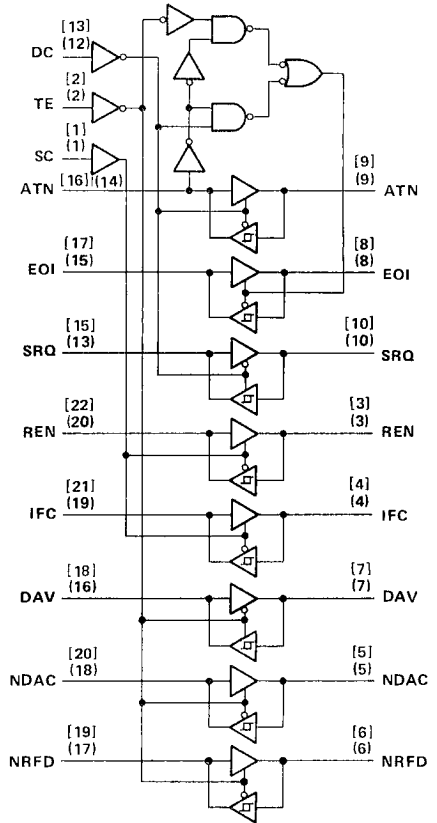
SN75162B logic symbol†



† This symbol is in accordance with IEEE Std 91-1984 and IEC publication 617-12.

▽ designates 3-state output, ◻ designates passive-pullup outputs.

SN75162B logic diagram (positive logic)



[] Denotes pin numbers for DW package.

() Denotes pin numbers for N package.

SN75161B, SN75162B OCTAL GENERAL-PURPOSE INTERFACE BUS TRANSCEIVERS

**SN75161B
RECEIVE/TRANSMIT FUNCTION TABLE**

CONTROLS			BUS-MANAGEMENT CHANNELS				DATA-TRANSFER CHANNELS				
DC	TE	ATN [†]	ATN [†]	SRQ	REN	IFC	EOI	DAV	NDAC	NRFD	
			(Controlled by DC)					(Controlled by TE)			
H	H	H	R	T	R	R	T	T	R	R	
H	H	L					R				
L	L	H	T	R	T	T	R	R	T	T	
L	L	L					T				
H	L	X	R	T	R	R	R	R	T	T	
L	H	X	T	R	T	T	T	T	R	R	

**SN75162B
RECEIVE/TRANSMIT FUNCTION TABLE**

CONTROLS				BUS-MANAGEMENT CHANNELS				DATA-TRANSFER CHANNELS				
SC	DC	TE	ATN [†]	ATN [†]	SRQ	REN	IFC	EOI	DAV	NDAC	NRFD	
				(Controlled by DC)		(Controlled by SC)			(Controlled by TE)			
	H	H	H	R	T			T	T	R	R	
	H	H	L					R				
	L	L	H	T	R			R	R	T	T	
	L	L	L					T				
	H	L	X	R	T			R	R	R	T	T
	L	H	X	T	R			R	T	T	R	R
H						T	T					
L						R	R					

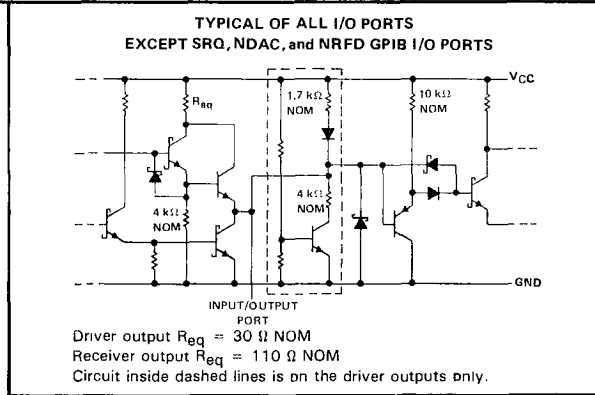
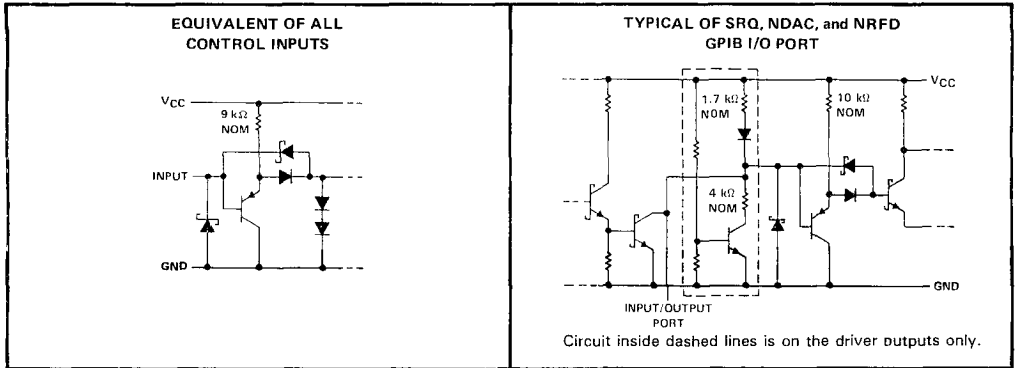
H = high level, L = low level, R = receive, T = transmit, X = irrelevant

Direction of data transmission is from the terminal side to the bus side, and the direction of data receiving is from the bus side to the terminal side. Data transfer is noninverting in both directions.

[†] ATN is a normal transceiver channel that functions additionally as an internal direction control or talk enable for EOI whenever the DC and TE inputs are in the same state. When DC and TE are in opposite states, the ATN channel functions as an independent transceiver only.

SN75161B, SN75162B OCTAL GENERAL-PURPOSE INTERFACE BUS TRANSCEIVERS

schematics of inputs and outputs



absolute maximum ratings over operating free-air temperature range (unless otherwise noted)

Supply voltage, V_{CC} (see Note 1)	7 V
Input voltage	5.5 V
Low-level driver output current	100 mA
Continuous total power dissipation (see Note 2)	See Dissipation Rating Table
Operating free-air temperature range	0°C to 70°C
Storage temperature range	-65°C to 150°C
Lead temperature 1,6 mm (1/16) inch from the case for 60 seconds: J package	300°C
Lead temperature 1,6 mm (1/16) inch from the case for 10 seconds: DW or N package	260°C

- NOTES 1. All voltage values are with respect to network ground terminal.
2. In the J package, SN75161B chips are alloy mounted.

SN75161B, SN75162B OCTAL GENERAL-PURPOSE INTERFACE BUS TRANSCEIVER

DISSIPATION RATING TABLE

PACKAGE	$T_A \leq 25^\circ\text{C}$	DERATING FACTOR	$T_A = 70^\circ\text{C}$
	POWER RATING	ABOVE $T_A = 25^\circ\text{C}$	POWER RATING
DW (20 Pin)	1125 mW	9.0 mW/ $^\circ\text{C}$	720 mW
DW (24 Pin)	1350 mW	10.8 mW/ $^\circ\text{C}$	864 mW
J	1375 mW	11.0 mW/ $^\circ\text{C}$	880 mW
N (20 Pin)	1150 mW	9.2 mW/ $^\circ\text{C}$	736 mW
N (22 Pin)	1700 mW	13.6 mW/ $^\circ\text{C}$	1088 mW

recommended operating conditions

		MIN	NOM	MAX	UNIT
Supply voltage, V_{CC}		4.75	5	5.25	V
High-level input voltage, V_{IH}		2			V
Low-level input voltage, V_{IL}				0.8	V
High-level output current, I_{OH}	Bus ports with 3-state outputs			-5?	mA
	Terminal ports			-	μA
Low-level output current, I_{OL}	Bus ports			48	mA
	Terminal ports			16	mA
Operating free-air temperature, T_A		0		70	$^\circ\text{C}$

electrical characteristics over recommended ranges of supply voltage and operating free-air temperature (unless otherwise noted)

PARAMETER		TEST CONDITIONS		MIN	TYP [†]	MAX	UNIT
V_{IK}	Input clamp voltage	$I_I = -18\text{ mA}$		-0.8	-1.5		V
V_{hys}	Hysteresis ($V_{T+} - V_{T-}$)	Bus		0.4	0.65		V
V_{OH}^{\ddagger}	High-level output voltage	Terminal	$I_{OH} = -800\ \mu\text{A}$	2.7	3.5		V
		Bus	$I_{OH} = -5.2\text{ mA}$	2.5	3.3		V
V_{OL}	Low-level output voltage	Terminal	$I_{OL} = 16\text{ mA}$	0.3	0.5		V
		Bus	$I_{OL} = 48\text{ mA}$	0.35	0.5		V
I_I	Input current at maximum input voltage	Terminal	$V_I = 5.5\text{ V}$	0.2	100		μA
I_{IH}	High-level input current	Terminal and control inputs	$V_I = 2.7\text{ V}$	0.1	20		μA
I_{IL}	Low-level input current		$V_I = 0.5\text{ V}$	-10	-100		μA
$V_{I/O(\text{bus})}$	Voltage at bus port	Driver disabled	$I_{I(\text{bus})} = 0$	2.5	3.0	3.7	V
			$I_{I(\text{bus})} = -12\text{ mA}$			-1.5	V
$I_{I/O(\text{bus})}$	Current into bus port	Power on	Driver disabled	$V_{I(\text{bus})} = -1.5\text{ V to }0.4\text{ V}$	-1.3		mA
				$V_{I(\text{bus})} = 0.4\text{ V to }2.5\text{ V}$	0	-3.2	
				$V_{I(\text{bus})} = 2.5\text{ V to }3.7\text{ V}$		+2.5	
				$V_{I(\text{bus})} = 3.7\text{ V to }5\text{ V}$	0	2.5	
				$V_{I(\text{bus})} = 5\text{ V to }5.5\text{ V}$	0.7	2.5	
	Power off	$V_{CC} = 0$,	$V_{I(\text{bus})} = 0\text{ to }2.5\text{ V}$			-40	μA
I_{OS}	Short-circuit output current	Terminal		-15	-35	-75	mA
		Bus		-25	-50	-125	mA
I_{CC}	Supply current	No load, TE, DC, and SC low				110	mA
$C_{i/O(\text{bus})}$	Bus-port capacitance	$V_{CC} = 5\text{ V to }0$, $V_{I/O} = 0\text{ to }2\text{ V}$, $f = 1\text{ MHz}$				30	pF

[†] All typical values are at $V_{CC} = 5\text{ V}$, $T_A = 25^\circ\text{C}$.

[‡] V_{OH} applies for 3-state outputs only.

SN75161B, SN75162B OCTAL GENERAL-PURPOSE INTERFACE BUS TRANSCEIVERS

switching characteristics, $V_{CC} = 5\text{ V}$, $C_L = 15\text{ pF}$, $T_A = 25^\circ\text{C}$ (unless otherwise noted)

PARAMETER	FROM	TO	TEST CONDITIONS	MIN	TYP	MAX	UNIT
t_{PLH} Propagation delay time, low-to-high-level output	Terminal	Bus	$C_L = 30\text{ pF}$, See Figure 1	14	20	ns	
t_{PHL} Propagation delay time, high-to-low-level output							
t_{PLH} Propagation delay time, low-to-high-level output	Terminal	Bus (SRQ, NDAC NRFD)	$C_L = 30\text{ pF}$, See Figure 1	29	35	ns	
t_{PLH} Propagation delay time, low-to-high-level output	Bus	Terminal	$C_L = 30\text{ pF}$, See Figure 2	10	20	ns	
t_{PHL} Propagation delay time, high-to-low-level output							
t_{PZH} Output enable time to high level	TE, DC, or SC	BUS (ATTN, EOI, REN, IFC, and DAV)	See Figure 3	55	60	ns	
t_{PHZ} Output disable time from high level							
t_{PZL} Output enable time to low level							
t_{PLZ} Output disable time from low level							
t_{PZH} Output enable time to high level	TE, DC, or SC	Terminal	See Figure 4	55	50	ns	
t_{PHZ} Output disable time from high level							
t_{PZL} Output enable time to low level							
t_{PLZ} Output disable time from low level							

PARAMETER MEASUREMENT INFORMATION

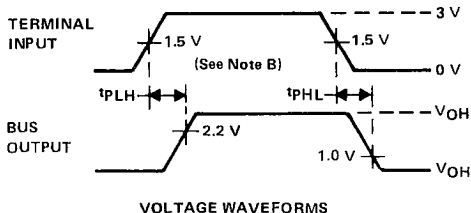
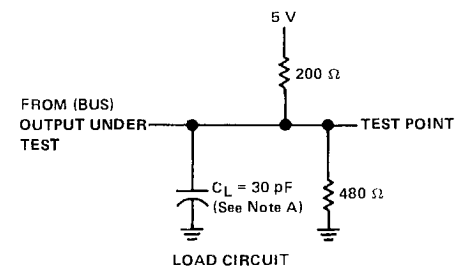


FIGURE 1. TERMINAL-TO-BUS PROPAGATION DELAY TIMES

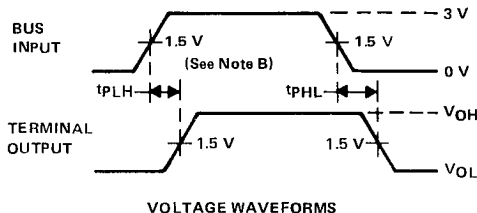
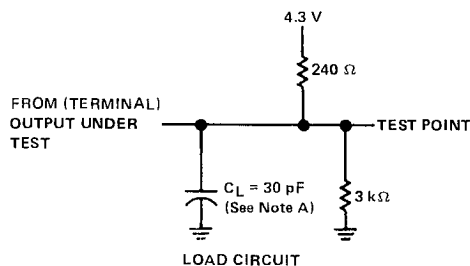
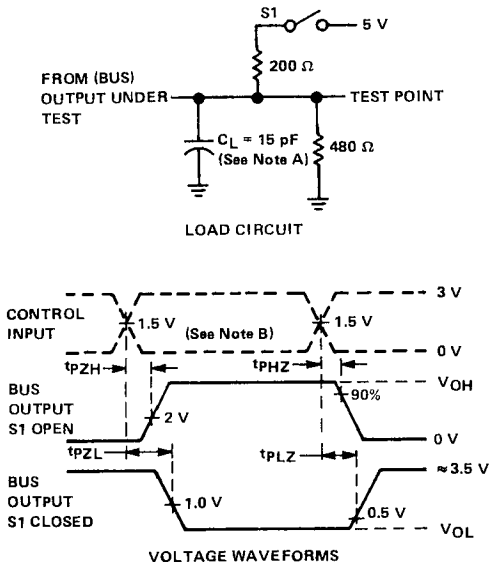


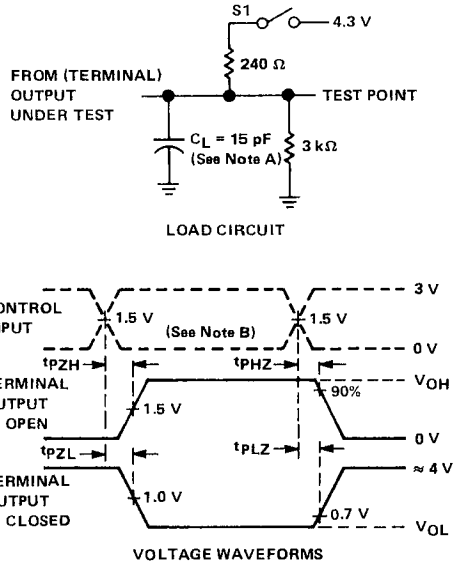
FIGURE 2. BUS-TO-TERMINAL PROPAGATION DELAY TIMES

- NOTES: A. C_L includes probe and jig capacitance.
 B. The input pulse is supplied by a generator having the following characteristics: $PRR \leq 1\text{ MHz}$, 50% duty cycle, $t_r \leq 6\text{ ns}$, $t_f \leq 6\text{ ns}$, $Z_o = 50\ \Omega$.

PARAMETER MEASUREMENT INFORMATION



**FIGURE 3. BUS ENABLE AND
 DISABLE TIMES**



**FIGURE 4. TERMINAL ENABLE
 AND DISABLE TIMES**

- NOTES: A. C_L includes probe and jig capacitance.
 B. The input pulse is supplied by a generator having the following characteristics: $PRR \leq 1$ MHz, 50% duty cycle, $t_r \leq 6$ ns, $t_f \leq 6$ ns, $Z_0 = 50 \Omega$.

SN75161B, SN75162B
OCTAL GENERAL-PURPOSE INTERFACE BUS TRANSCEIVERS

TYPICAL CHARACTERISTICS

TERMINAL HIGH-LEVEL OUTPUT VOLTAGE
 vs
 HIGH-LEVEL OUTPUT CURRENT

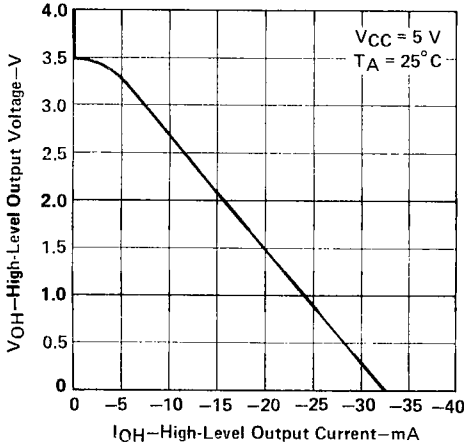


FIGURE 5

TERMINAL LOW-LEVEL OUTPUT VOLTAGE
 vs
 LOW-LEVEL OUTPUT CURRENT

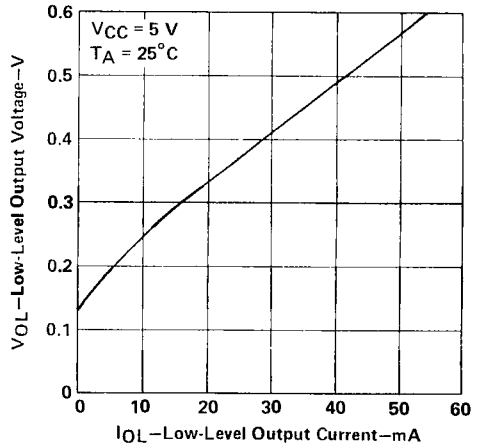


FIGURE 6

TERMINAL OUTPUT VOLTAGE
 vs
 BUS INPUT VOLTAGE

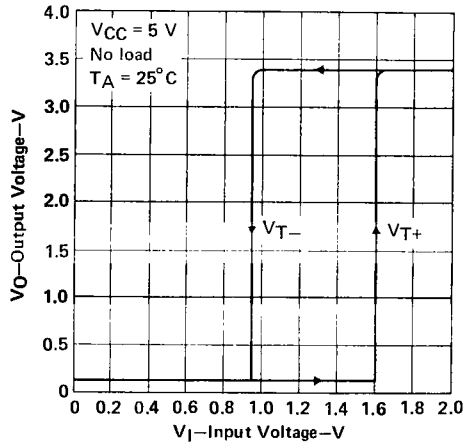
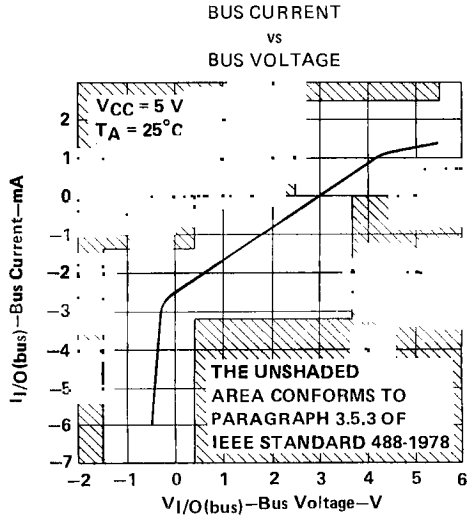
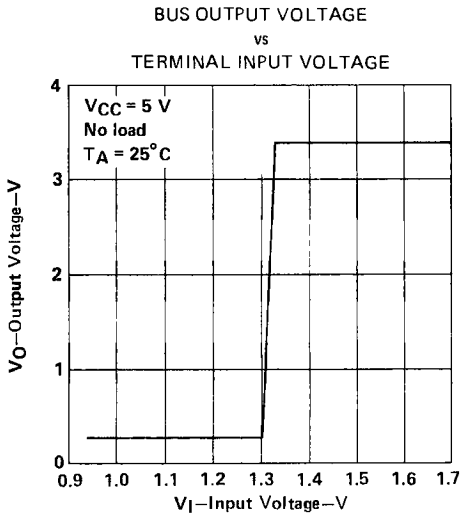
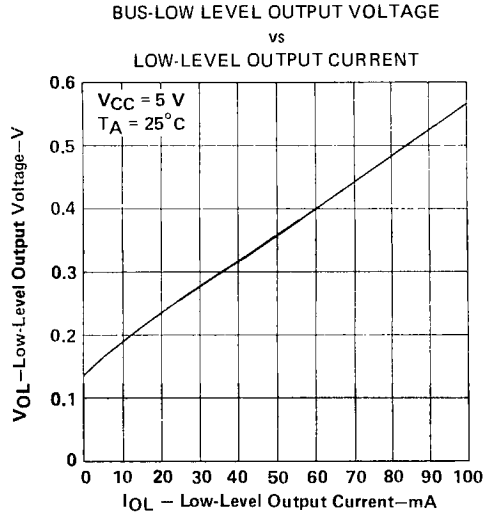
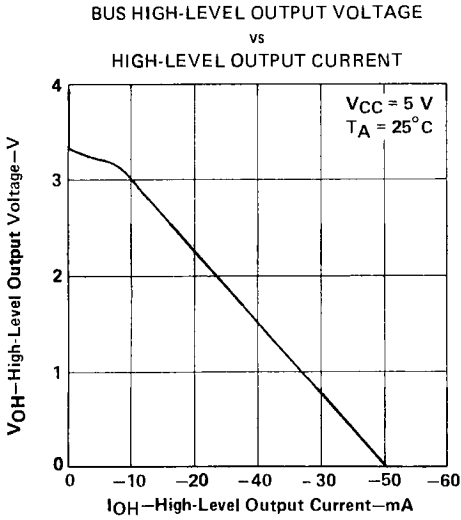


FIGURE 7

TYPICAL CHARACTERISTICS

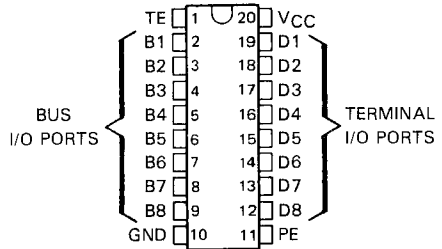


SN75163B OCTAL GENERAL-PURPOSE INTERFACE BUS TRANSCEIVER

D2611, OCTOBER 1985

- 8-Channel Bidirectional Transceivers
- Power-Up/Power-Down Protection (Glitch-Free)
- High-Speed Low-Power Schottky Circuitry
- Low Power Dissipation . . . 66 mW Max Per Channel
- High-Impedance P-N-P Inputs
- Receiver Hysteresis . . . 650 mV Typ
- Open-Collector Driver Output Option
- No Loading of Bus When Device Is Powered Down (VCC = 0)

DW, J, OR N PACKAGE
(TOP VIEW)



FUNCTION TABLES

description

The SN75163B octal general-purpose interface bus transceiver is a monolithic, high-speed, low-power Schottky device. It is designed for two-way data communications over single-ended transmission lines. The transceiver features driver outputs that can be operated in either the open-collector or 3-state modes. If Talk Enable (TE) is high, these outputs have the characteristics of open-collector outputs when Pullup Enable (PE) is low and of 3-state outputs when PE is high. Taking TE low places the outputs in the high-impedance state. The driver outputs are designed to handle loads of up to 48 mA of sink current. Each receiver features p-n-p transistor inputs for high input impedance and 400 mV of hysteresis for increased noise immunity.

Output glitches during power-up and power-down are eliminated by an internal circuit that disables both the bus and receiver outputs. The outputs do not load the bus when VCC = 0.

The SN75163B is characterized for operation from 0°C to 70°C.

EACH DRIVER				EACH RECEIVER			
INPUTS			OUTPUT	INPUTS			OUTPUT
D	TE	PE	B	B	TE	PE	D
H	H	H	H	L	L	X	L
L	H	H	L	H	L	X	H
H	X	L	Z	X	H	X	Z
L	H	L	L				
X	L	X	Z				

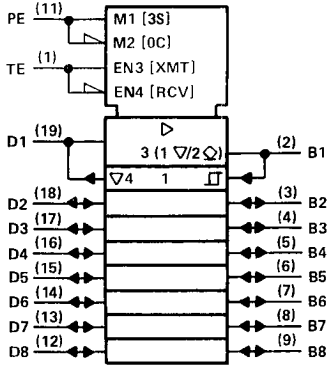
H = high level, L = low level, X = irrelevant, Z = high-impedance state.

1. FUNCTION DATA documents contain information as of publication date. For information to the user, please refer to the terms of the standard warranty. Production testing does not necessarily include testing of all parameters.



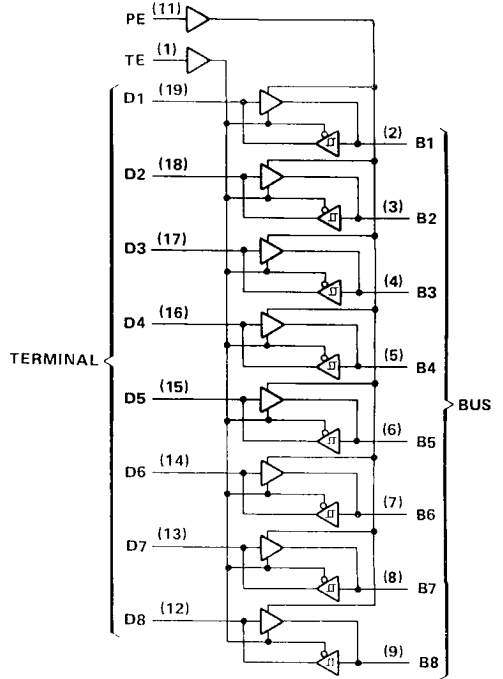
SN75163B OCTAL GENERAL-PURPOSE INTERFACE BUS TRANSCEIVER

logic symbol†

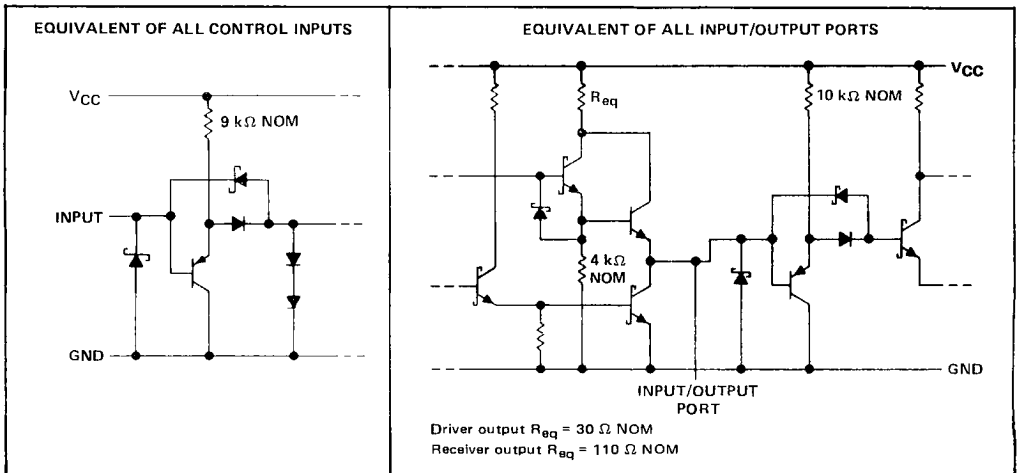


† This symbol is in accordance with ANSI/IEEE Std 91-1984 and IEC Publication 617-12.
 ▽ Designates 3-state outputs.
 □ Designates open-collector outputs.

logic diagram (positive logic)



schematics of inputs and outputs



SN75163B OCTAL GENERAL-PURPOSE INTERFACE BUS TRANSCEIVER

absolute maximum ratings over operating free-air temperature range (unless otherwise noted)

Supply voltage, V_{CC} (see Note 1)	7 V
Input voltage	5.5 V
Low-level driver output current	100 mA
Continuous total power dissipation (see Note 2)	See Dissipation Rating Table
Operating free-air temperature range	0°C to 70°C
Storage temperature range	-65°C to 150°C
Lead temperature 1,6 mm (1/16) inch from the case for 60 seconds: J package	300°C
Lead temperature 1,6 mm (1/16) inch from the case for 10 seconds: DW or N package	260°C

- NOTES: 1. All voltage values are with respect to network ground terminal.
 2. In the J package, SN75163B chips are alloy mounted.

DISSIPATION RATING TABLE

PACKAGE	$T_A = 25^{\circ}\text{C}$ POWER RATING	DERATING FACTOR ABOVE $T_A = 25^{\circ}\text{C}$	$T_A = 70^{\circ}\text{C}$ POWER RATING
DW	1125 mW	9.0 mW/ $^{\circ}\text{C}$	720 mW
J	1375 mW	11.0 mW/ $^{\circ}\text{C}$	880 mW
N	1150 mW	9.2 mW/ $^{\circ}\text{C}$	736 mW

recommended operating conditions

	MIN	NOM	MAX	UNIT
Supply voltage, V_{CC}	4.75	5	5.25	V
High-level input voltage, V_{IH}	2			V
Low-level input voltage, V_{IL}			0.8	V
High-level output current, I_{OH}	Bus ports with pullups active		-10	mA
	Terminal ports		-	μA
Low-level output current, I_{OL}	Bus ports		16	mA
	Terminal ports		16	mA
Operating free-air temperature range, T_A	0		70	$^{\circ}\text{C}$



SN75163B

OCTAL GENERAL-PURPOSE INTERFACE BUS TRANSCEIVER

electrical characteristics over recommended ranges of supply voltage and operating free-air temperature (unless otherwise noted)

PARAMETER			TEST CONDITIONS	MIN	TYP [†]	MAX	UNIT
V _{IK}	Input clasp voltage		I _I = -18 mA		-0.8	-1.5	V
V _{hys}	Hysteresis (V _{T+} - V _{T-}) [‡]	Bus		0.4	0.65		V
V _{OH}	High level output voltage	Terminal Bus	I _{OH} = -800 μA, TE at 0.8 V I _{OH} = -10 mA, PE and TE at 2 V	2.7 2.5	3.5 3.3		V
V _{OL}	Low-level output voltage	Terminal Bus	I _{OL} = 16 mA, TE at 0.8 V I _{OL} = 48 mA, PE and TE at 2 V		0.3 0.4	0.5 0.5	V
I _{OH}	High-level output current (open-collector mode)	Bus	V _O = 5.5 V, PE at 0.8 V, D and TE at 2 V			100	μA
I _{OZ}	Off-state output current (3-state mode)	Bus	PE at 2 V, V _O = 2.7 V TE at 0.8 V, V _O = 0.4 V			20 -20	μA
I _I	Input current at maximum input voltage	Terminal	V _I = 5.5 V		0.2	100	μA
I _{IH}	High-level input current	Terminal	V _I = 2.7 V		0.1	20	μA
I _{IL}	Low-level input current	Terminal	V _I = 0.5 V		-10	-100	μA
I _{OS}	Short-circuit output current	Terminal Bus		-15 -25	-35 -50	-75 -125	mA
I _{CC}	Supply current		No load Receivers low and enabled Drivers low and enabled			80 100	mA
C _{I/O(bus)}	Bus-port capacitance		V _{CC} = 5 V or 0, V _{I/O} = 0 to 2 V, f = 1 MHz		30		pF

[†]All typical values are at V_{CC} = 5, T_A = 25°C.

[‡]Hysteresis is the difference between the positive-going input threshold voltage, V_{T+}, and the negative-going input threshold voltage, V_{T-}.

switching characteristics, V_{CC} = 5 V, C_L = 15 pF, T_A = 25°C (unless otherwise noted)

PARAMETER		FROM	TO	TEST CONDITIONS	MIN	TYP	MAX	UNIT
t _{PLH}	Propagation delay time, low-to-high-level output	Terminal	Bus	C _L = 30 pF, See Figure 1		14	20	ns
t _{PHL}	Propagation delay time, high-to-low-level output					14	20	
t _{PLH}	Propagation delay time, low-to-high-level output	Bus	Terminal	C _L = 30 pF, See Figure 2		10	20	ns
t _{PHL}	Propagation delay time, high-to-low-level output					15	22	
t _{pZH}	Output enable time to high level	TE	Bus	See Figure 3		25	35	ns
t _{pHZ}	Output disable time from high level					13	22	
t _{pZL}	Output enable time to low level					22	35	
t _{pLZ}	Output disable time from low level					22	32	
t _{pZH}	Output enable time to high level	TE	Terminal	See Figure 4		20	30	ns
t _{pHZ}	Output disable time from high level					12	20	
t _{pZL}	Output enable time to low level					23	32	
t _{pLZ}	Output disable time from low level					19	30	
t _{en}	Output pull-up enable time	PE	Terminal	See Figure 5		15	22	ns
t _{dis}	Output pull-up disable time					13	20	

PARAMETER MEASUREMENT INFORMATION

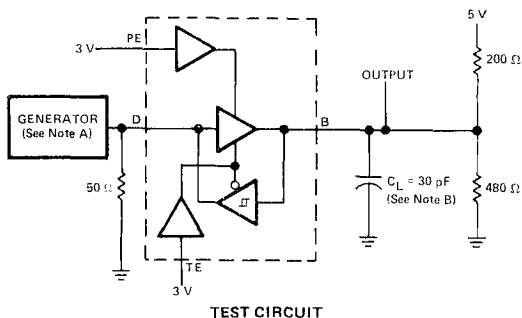
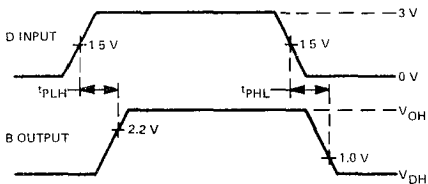


FIGURE 1. TERMINAL-TO-BUS PROPAGATION DELAY TIMES



VOLTAGE WAVEFORMS

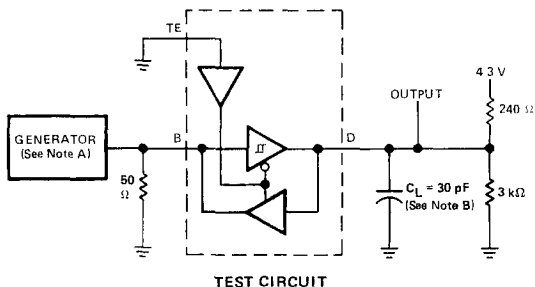
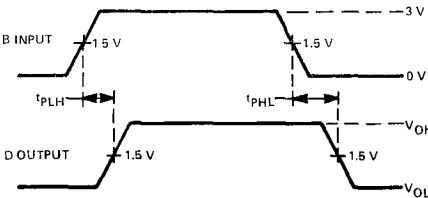
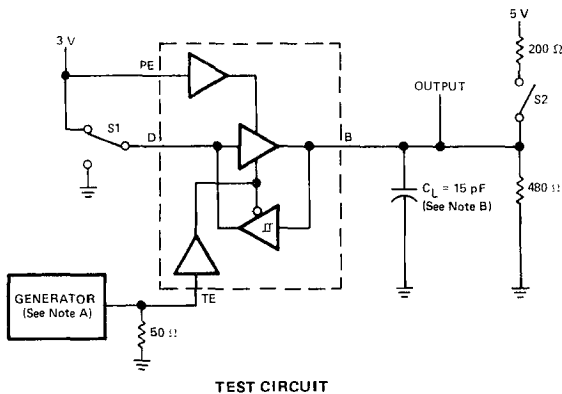


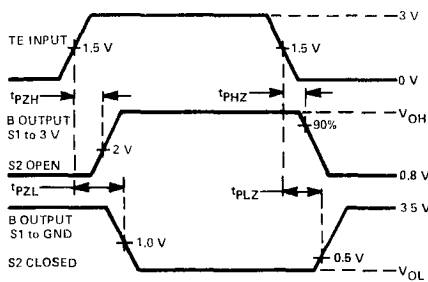
FIGURE 2. BUS-TO-TERMINAL PROPAGATION DELAY TIMES



VOLTAGE WAVEFORMS



TEST CIRCUIT



VOLTAGE WAVEFORMS

FIGURE 3. TE-TO-BUS ENABLE AND DISABLE TIMES

- NOTES: A. The input pulse is supplied by a generator having the following characteristics: PRR \leq 1 MHz, 50% duty cycle, $t_r \leq$ 6 ns, $t_f \leq$ ns, $Z_o = 50 \Omega$.
B. C_L includes probe and jig capacitance.

SN75163B
OCTAL GENERAL-PURPOSE INTERFACE BUS TRANSCEIVER

PARAMETER MEASUREMENT INFORMATION

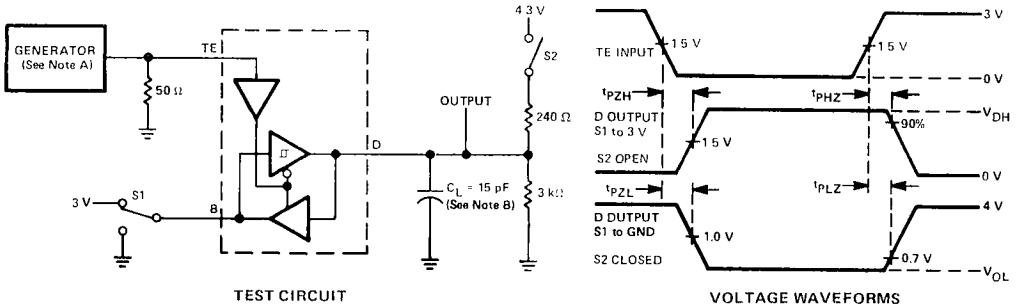


FIGURE 4. TE-TO-TERMINAL ENABLE AND DISABLE TIMES

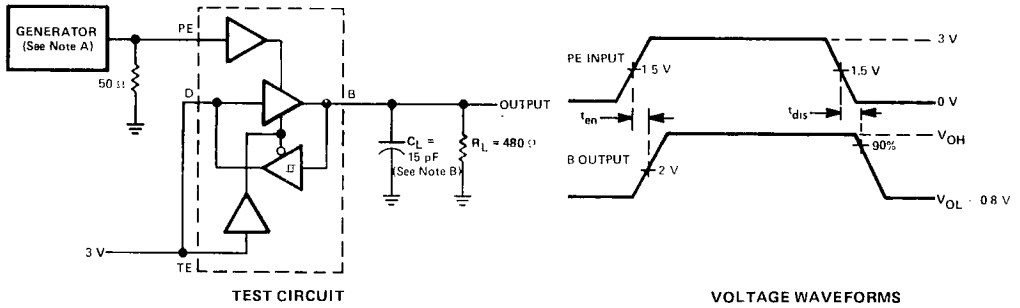


FIGURE 5. PE-TO-BUS PULLUP ENABLE AND DISABLE TIMES

- NOTES: A. The input pulse is supplied by a generator having the following characteristics: PRR \leq 1 MHz, 50% duty cycle, $t_r \leq$ 6 ns, $t_f \leq$ ns, $Z_o = 50 \Omega$.
 B. C_L includes probe and jig capacitance.

TYPICAL CHARACTERISTICS

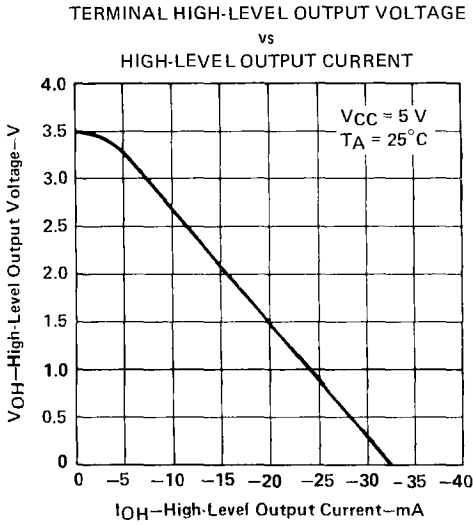


FIGURE 6

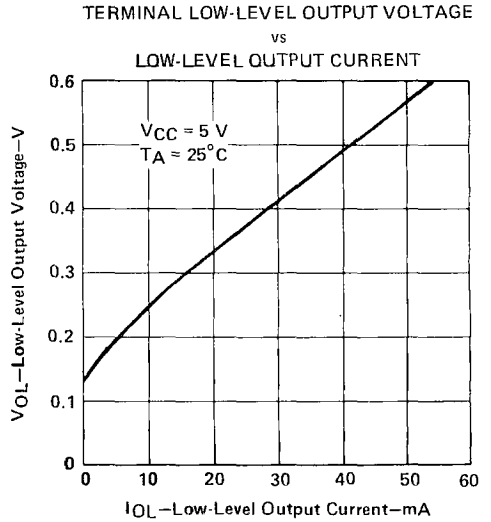


FIGURE 7

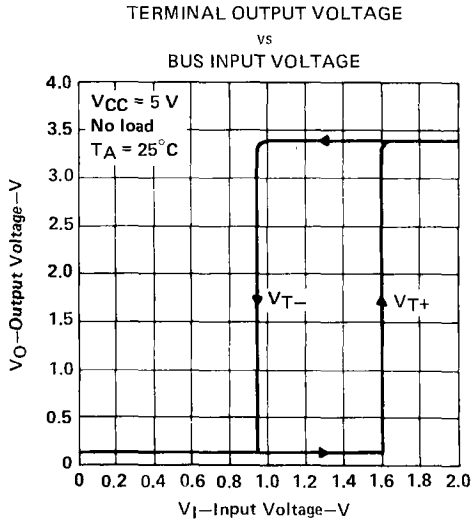


FIGURE 8

TYPICAL CHARACTERISTICS

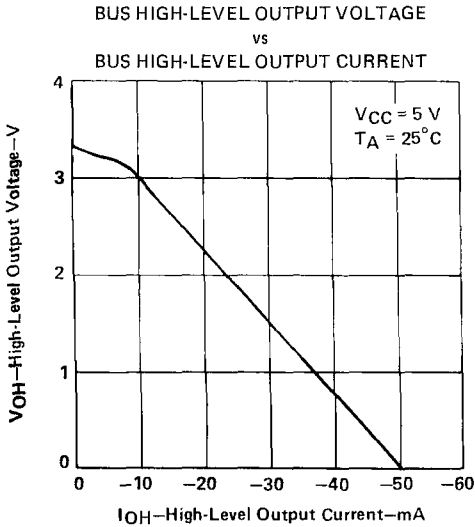


FIGURE 9

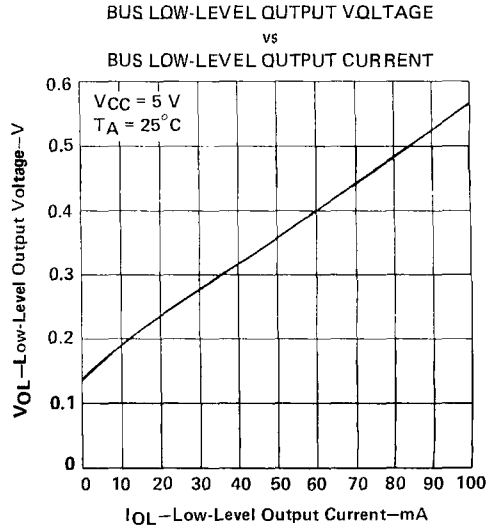


FIGURE 10

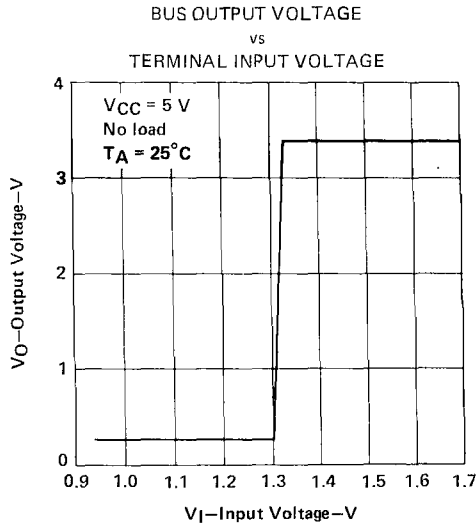


FIGURE 11

SN75164B OCTAL GENERAL-PURPOSE INTERFACE BUS TRANSCEIVER

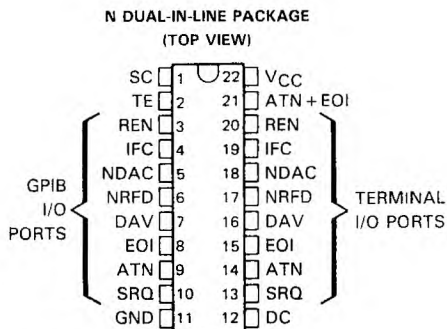
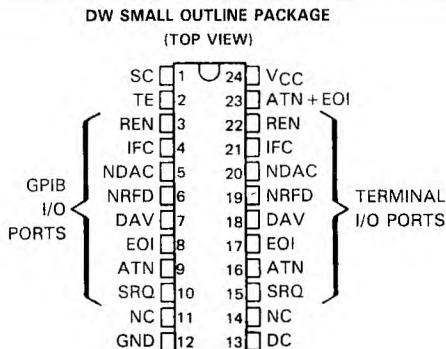
D2908, OCTOBER 1985

- **8-Channel Bidirectional Transceiver**
- **Power-Up/Power-Down Protection (Glitch-Free)**
- **ATN + EOI (OR Function) Output to Simplify Board Layout**
- **Designed to Implement Control Bus Interface for Multi-Controllers**
- **Low-Power Dissipation . . . 72 mW Max Per Channel**
- **Fast Propagation Times . . . 22 ns Max**
- **High-Impedance P-N-P Inputs**
- **Receiver Hysteresis . . . 650 mV Typ**
- **Bus-Terminating Resistors Provided on Driver Outputs**
- **No Loading of Bus When Device is Powered Down ($V_{CC} = 0$)**

description

The SN75164B eight-channel general-purpose interface bus transceiver is a monolithic, high-speed, low-power Schottky device designed to meet the requirements of IEEE Standard 488-1978. Each transceiver is designed to provide the bus-management and data-transfer signals between operating units of a multiple-controller instrumentation system. When combined with the SN75160B octal bus transceiver, the SN75164B provides the complete 16-wire interface for the IEEE 488 bus.

The SN75164B features eight driver-receiver pairs connected in a front-to-back configuration to form input/output (I/O) ports at both the bus and terminal sides. All outputs are disabled (at a high-impedance state) during V_{CC} power-up and power-down transitions for glitch-free operation. The direction of data flow through these driver-receiver pairs is determined by the DC, TE, and SC enable signals. The SN75164B is identical to the SN75162B with the addition of an OR gate to help simplify board layouts in several popular applications. The ATN and EOI signals are ORed to pin 21, which is a standard totem-pole output.



NC—No internal connection.

CHANNEL IDENTIFICATION TABLE

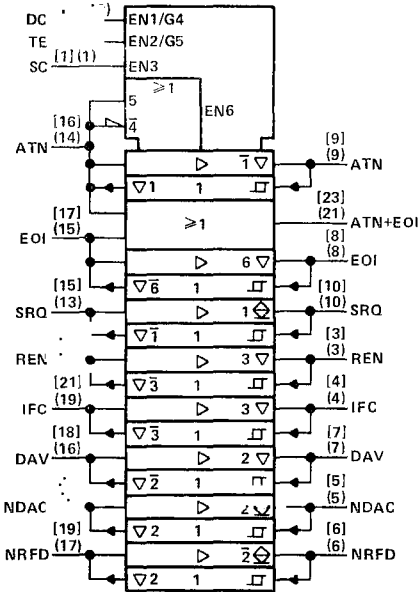
NAME	IDENTITY	CLASS
DC TE SC	Direction Control Talk Enable System Control	Control
ATN SRQ REN IFC EOI	Attention Service Request Remote Enable Interface Clear End or Identify	Bus Management
ATN + EOI	ATN logical OR EOI	Logic
DAV NDAC NRFD	Data Valid Not Data Accepted Not Ready for Data	Data Transfer

SN75164B OCTAL GENERAL-PURPOSE INTERFACE BUS TRANSCEIVER

The driver outputs (GPIB I/O ports) feature active bus-terminating resistor circuits designed to provide a high impedance to the bus when supply voltage V_{CC} is 0. The drivers are designed to handle loads up to 48 milliamperes of sink current. Each receiver features p-n-p transistor inputs for high input impedance and a guaranteed hysteresis of 400 millivolts for increased noise immunity. All receivers have 3-state outputs to present a high impedance to the terminal when disabled.

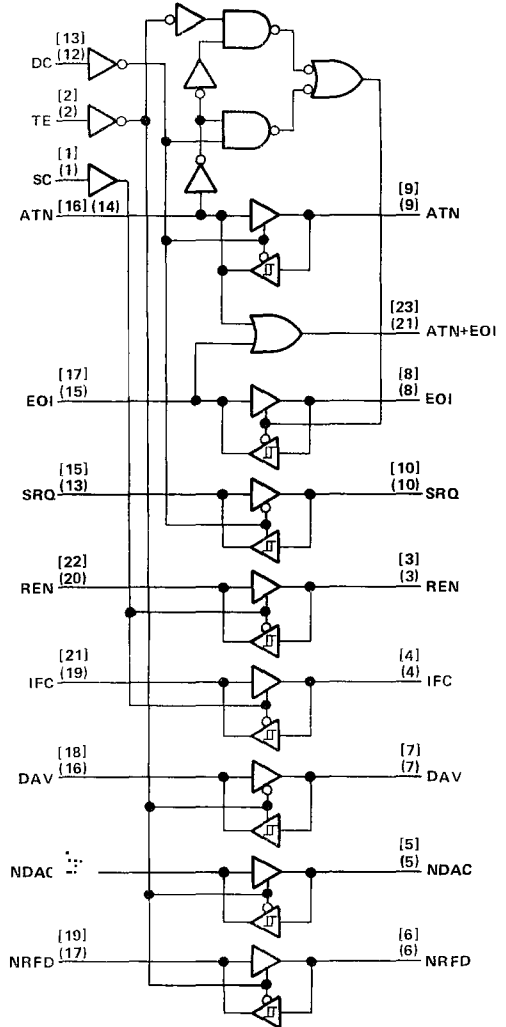
The SN75164B is manufactured in a 22-pin dual-in-line and 24-pin Small Outline package. The SN75164B is characterized for operation from 0°C to 70°C.

logic symbol†



† This symbol is in accordance with ANSI/IEEE Std 91-1984 and IEC Publication 617-12.

logic diagram (positive logic)



[] Denotes pin numbers for DW package.
() Denotes pin numbers for N package.

SN75164B
OCTAL GENERAL-PURPOSE INTERFACE BUS TRANSCEIVER

RECEIVE/TRANSMIT FUNCTION TABLE

CONTROLS				BUS-MANAGEMENT CHANNELS				DATA-TRANSFER CHANNELS			
SC	DC	TE	ATN [†]	ATN [†]	SRQ	REN	IFC	EOI	DAV	NDAC	NRFD
				(Controlled by DC)		(Controlled by SC)			(Controlled by TE)		
	H	H	H	R	T			T	T	R	R
	H	H	L					R			
	L	L	H	T	R			R	R	T	T
	L	L	L					T			
	H	L	X	R	T			R	T	T	T
L	H	X	T	R	T	T	R	R			
H						T	T				
L						R	R				

H = high level, L = low level, R = receive, T = transmit, X = irrelevant

Direction of data transmission is from the terminal side to the bus side, and the direction of data receiving is from the bus side to the terminal side. Data transfer is noninverting in both directions.

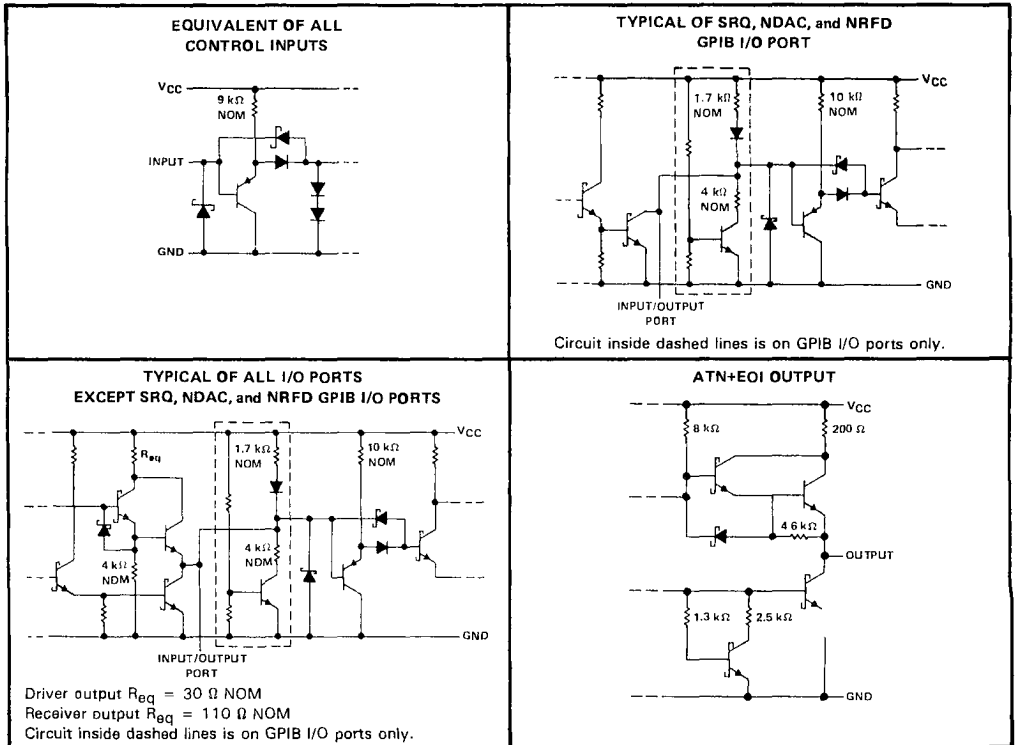
[†] ATN is a normal transceiver channel that functions additionally as an internal direction control or talk enable for EOI whenever the DC and TE inputs are in the same state. When DC and TE are in opposite states, the ATN channel functions as an independent transceiver only.

ATN + EOI FUNCTION TABLE

INPUTS		OUTPUT
ATN	EOI	ATN + EOI
H	X	H
X	H	H
L	L	L

SN75164B OCTAL GENERAL-PURPOSE INTERFACE BUS TRANSCEIVER

schematics of inputs and outputs



absolute maximum ratings over operating free-air temperature range (unless otherwise noted)

Supply voltage, V_{CC} (see Note 1)	7 V
Input voltage	5.5 V
Low-level driver output current	100 mA
Continuous total dissipation at (or below) 25°C free-air temperature (see Note 2):	
DW package	1350 mW
N package	1700 mW
Operating free-air temperature range	0°C to 70°C
Storage temperature range	-65°C to 150°C
Lead temperature 1,6 mm (1/16) inch from the case for 10 seconds: DW or N package	260°C

- NOTES: 1. All voltage values are with respect to network ground terminal.
2. For operation above 25°C free-air temperature, derate the DW package at the rate of 10.8 mW/°C, the N package at the rate of 13.6 mW/°C.

SN75164B OCTAL GENERAL-PURPOSE INTERFACE BUS TRANSCEIVER

recommended operating conditions

		MIN	TYP	MAX	UNIT
Supply voltage, V_{CC1}		4.5	5	5.25	V
High-level input voltage, V_{IH}		2			V
Low-level input voltage, V_{IL}		0.8			V
High-level output current, I_{OH}	Bus ports with 3-state outputs	-5.2			mA
	Terminal ports	-800			
	ATN + EOI	-400			
Low-level output current, I_{OL}	Bus ports	48			mA
	Terminal ports	16			
	ATN + EOI	4			
Operating free-air temperature, T_A		0		70	°C

electrical characteristics over recommended ranges of supply voltage and operating free-air temperature (unless otherwise noted)

PARAMETER		TEST CONDITIONS		MIN	TYP [†]	MAX	UNIT	
V_{IK}	Input clamp voltage	$I_I = -18$ mA				-1.5	V	
V_{hys}	Hysteresis ($V_{T+} - V_{T-}$)	Bus		0.4			V	
		Terminal	$I_{OH} = -800$ μ A	2.7				
V_{OH}^{\ddagger}	High-level output voltage	Bus	$I_{OH} = -5.2$ mA	2.5			V	
		ATN + EOI	$I_{OH} = -400$ μ A	2.7				
		Terminal	$I_{OL} = 16$ mA			0.5		
V_{OL}	Low-level output voltage		$I_{OL} = 48$ mA			0.5	V	
		ATN + EOI	$I_{OL} = 4$ mA			0.4		
		Terminal [§]	$V_I = 5.5$ V			100		
I_I	Input current at maximum input voltage	ATN, EOI	$V_I = 5.5$ V			200	μ A	
		Terminal, control	$V_I = 2.7$ V			20		
I_{IH}	High-level input current	ATN, EOI	$V_I = 2.7$ V			40	μ A	
		Terminal, control	$V_I = 0.5$ V			-100		
I_{IL}	Low-level input current	ATN, EOI	$V_I = 0.5$ V			-500	μ A	
		Terminal, control	$V_I = 0.5$ V					
$V_{I/O(bus)}$	Voltage at bus port	Driver disabled	$I_{I(bus)} = 0$	2.5		3.7	V	
			$I_{I(bus)} = -12$ mA			-1.5		
$I_{I/O(bus)}$	Current into bus port	Power on	Driver disabled	$V_{I(bus)} = -1.5$ V to 0.4 V	-1.3		mA	
				$V_{I(bus)} = 0.4$ V to 2.5 V	0			-3.2
				$V_{I(bus)} = 2.5$ V to 3.7 V				+2.5
			$V_{I(bus)} = 3.7$ V to 5 V	0		2.5		
			$V_{I(bus)} = 5$ V to 5.5 V	0.7		2.5		
			Power off	$V_{CC} = 0$, $V_{I(bus)} = 0$ V to 2.5 V				-40
		Terminal				-15		-75
I_{OS}	Short-circuit output current	Bus		-25		-125	mA	
		ATN + EOI		-10		-100		
I_{CC}	Supply current	No load, TE, DC, and SC low				120	mA	
$C_{I/O(bus)}$	Bus-port capacitance	$V_{CC} = 5$ V to 0 V, $V_{I/O} = 0$ to 2 V, $f = 1$ MHz				30	pF	

[†] All typical values are at $V_{CC} = 5$ V, $T_A = 25^\circ$ C.

[‡] V_{OH} applies for three-state outputs only.

[§] Except ATN and EOI terminal pins.

SN75164B OCTAL GENERAL-PURPOSE INTERFACE BUS TRANSCEIVER

switching characteristics, $V_{CC} = 5\text{ V}$, $C_L = 15\text{ pF}$, $T_A = 25^\circ\text{C}$ (unless otherwise noted)

PARAMETER	FROM	TO	TEST CONDITIONS	MIN	TYP	MAX	UNIT
t_{PLH} Propagation delay time, low-to-high-level output	Terminal	Bus	$C_L = 30\text{ pF}$, See Figure 1	14	20	ns	
t_{PHL} Propagation delay time, high-to-low-level output				14	20		
t_{PLH} Propagation delay time, low-to-high-level output	Terminal	Bus (SRQ, NDAC, NRFD)	$C_L = 30\text{ pF}$, See Figure 1	29	35	ns	
t_{PLH} Propagation delay time, low-to-high-level output	Bus	Terminal	$C_L = 30\text{ pF}$, See Figure 2	10	20	ns	
t_{PHL} Propagation delay time, high-to-low-level output				15	22		
t_{PLH} Propagation delay time, low-to-high-level output	Terminal ATN or Terminal	ATN + EOI	See Figure 3	14		ns	
t_{PHL} Propagation delay time, high-to-low-level output	Terminal or Terminal EOI	ATN + EOI	See Figure 3	14		ns	
t_{pZH} Output enable time to high level	TE, DC, or SC	BUS (ATTN, EOI, REN, IFC, and DAV)	See Figure 4			60	ns
t_{pHZ} Output disable time from high level						45	
t_{pZL} Output enable time to low level						60	
t_{pLZ} Output disable time from low level						55	
t_{pZH} Output enable time to high level	TE, DC, or SC	Terminal	See Figure 5			55	ns
t_{pHZ} Output disable time from high level						50	
t_{pZL} Output enable time to low level						45	
t_{pLZ} Output disable time from low level						55	



PARAMETER MEASUREMENT INFORMATION

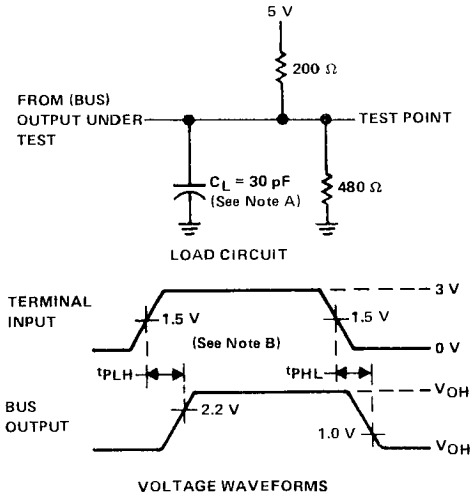


FIGURE 1. TERMINAL-TO-BUS PROPAGATION DELAY TIMES

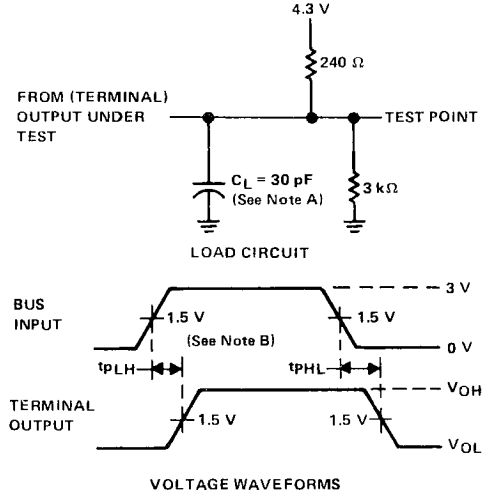


FIGURE 2. BUS-TO-TERMINAL PROPAGATION DELAY TIMES

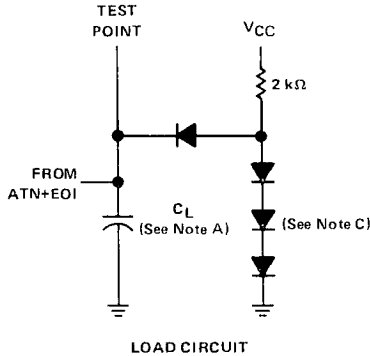


FIGURE 3. ATN + EOI PROPAGATION DELAY TIMES

- NOTES:**
- A. C_L includes probe and jig capacitance.
 - B. The input pulse is supplied by a generator having the following characteristics: $PRR \leq 1$ MHz, 50% duty cycle, $t_r \leq 6$ ns, $t_f \leq 6$ ns, $Z_{out} = 50 \Omega$.
 - C. All diodes are 1N916 or 1N3064.

SN75164B
OCTAL GENERAL-PURPOSE INTERFACE BUS TRANSCEIVER

PARAMETER MEASUREMENT INFORMATION

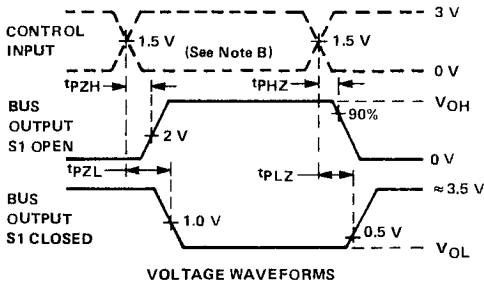
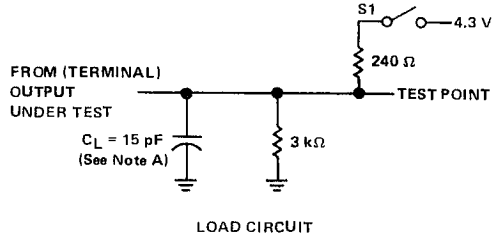
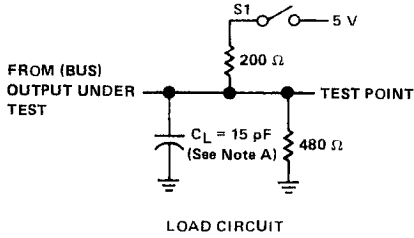


FIGURE 4. BUS ENABLE AND DISABLE TIMES

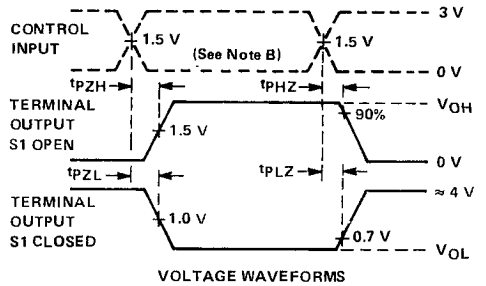


FIGURE 5. TERMINAL ENABLE AND DISABLE TIMES

NOTES: A. C_L includes probe and jig capacitance.

B. The input pulse is supplied by a generator having the following characteristics: $PRR \leq 1$ MHz, 50% duty cycle, $t_r \leq 6$ ns, $t_f \leq 6$ ns, $Z_{out} = 50 \Omega$.

TYPICAL CHARACTERISTICS

TERMINAL HIGH-LEVEL OUTPUT VOLTAGE
 vs
 HIGH-LEVEL OUTPUT CURRENT

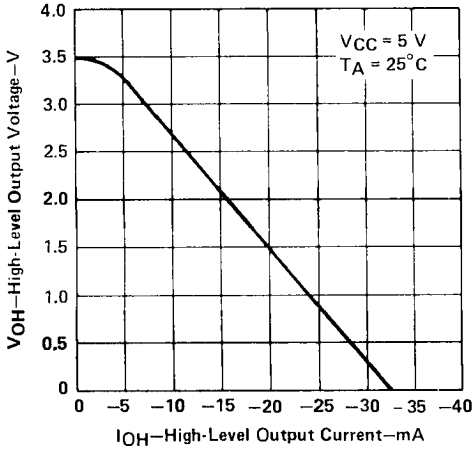


FIGURE 6

TERMINAL LOW-LEVEL OUTPUT VOLTAGE
 vs
 LOW-LEVEL OUTPUT CURRENT

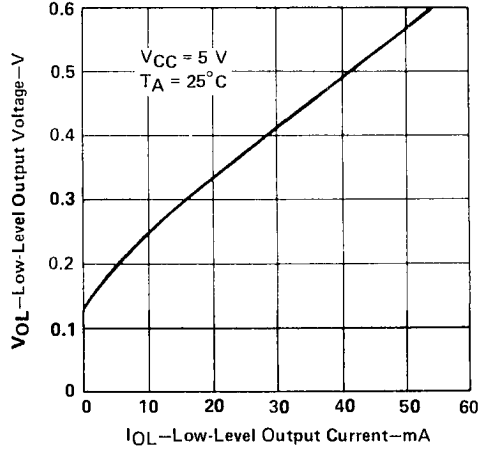


FIGURE 7

TERMINAL OUTPUT VOLTAGE
 vs
 BUS INPUT VOLTAGE

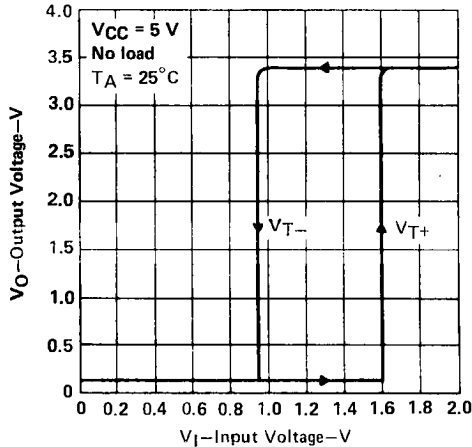


FIGURE 8

TYPICAL CHARACTERISTICS

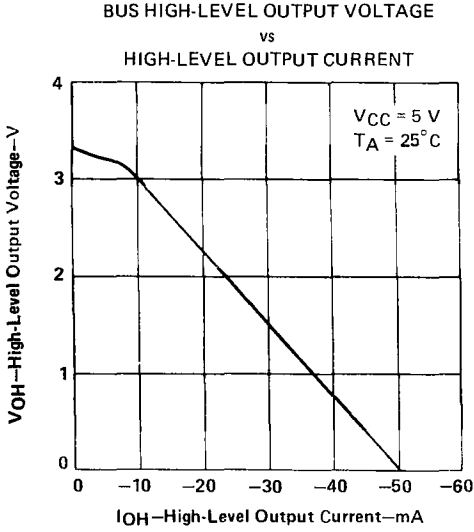


FIGURE 9

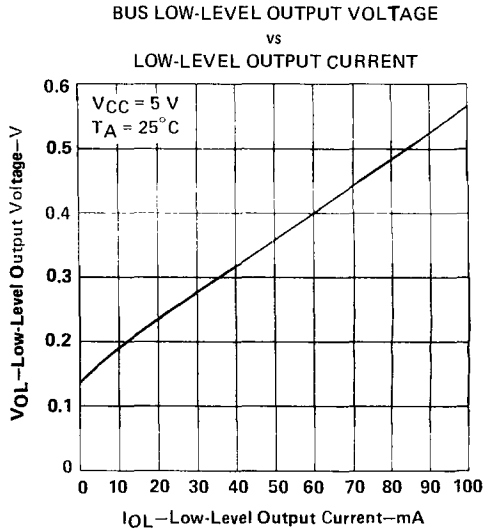


FIGURE 10

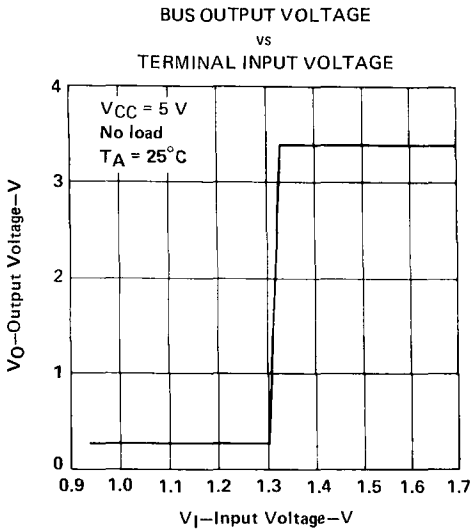


FIGURE 11

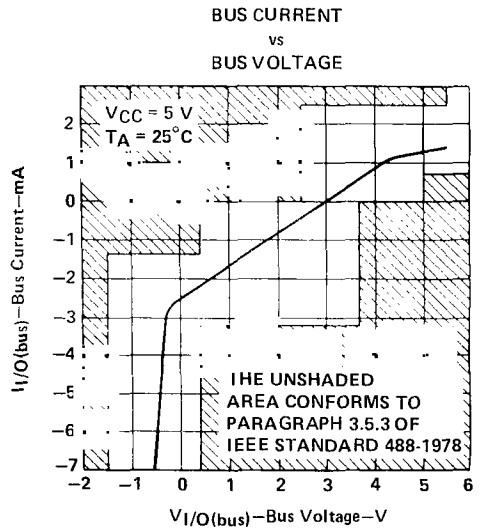


FIGURE 12

SN75172 QUADRUPLE DIFFERENTIAL LINE DRIVER

D2596, OCTOBER 1980—REVISED APRIL 1988

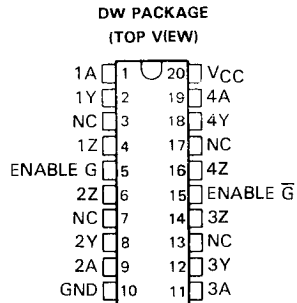
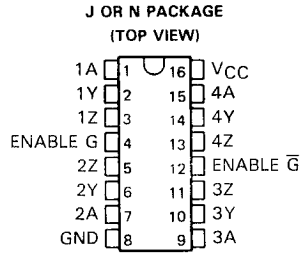
- Meets EIA Standards RS-422-A and RS-485
- Meets CCITT Recommendations V.11 and X.27
- Designed for Multipoint Transmission on Long Bus Lines in Noisy Environments
- 3-State Outputs
- Common-Mode Output Voltage Range of -7 V to 12 V
- Active-High and Active-Low Enables
- Thermal Shutdown Protection
- Positive- and Negative-Current Limiting
- Operates from Single 5-V Supply
- Low Power Requirements
- Functionally Interchangeable with AM26LS31

description

The SN75172 is a monolithic quadruple differential line driver with three-state outputs. It is designed to meet the requirements of EIA Standards RS-422-A and RS-485 and CCITT Recommendations V.11 and X.27. The device is optimized for balanced multipoint bus transmission at rates of up to 4 megabaud. Each driver features wide positive and negative common-mode output voltage ranges making it suitable for party-line applications in noisy environments.

The SN75172 provides positive- and negative-current limiting and thermal shutdown for protection from line fault conditions on the transmission bus line. Shutdown occurs at a junction temperature of approximately 150°C. This device offers optimum performance when used with the SN75173 or SN75175 quadruple differential line receivers.

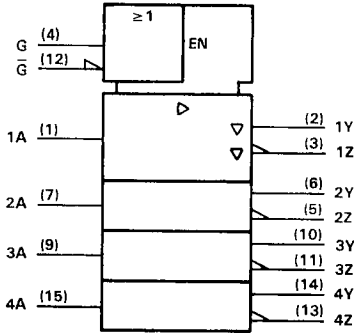
The SN75172 is characterized for operation from 0°C to 70°C.



NC—No internal connection

SN75172 QUADRUPLE DIFFERENTIAL LINE DRIVER

logic symbol†



FUNCTION TABLE
(EACH DRIVER)

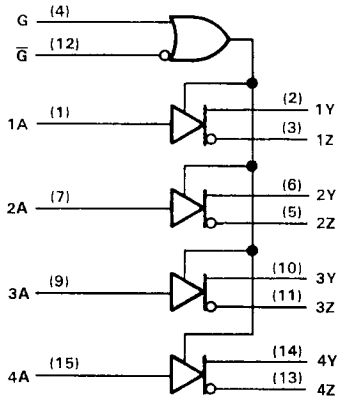
INPUT A	ENABLES		OUTPUTS	
	G	\bar{G}	Y	Z
H	H	X	H	L
L	H	X	L	H
H	X	L	H	L
L	X	L	L	H
X	L	H	Z	Z

H = high level
L = low level
X = irrelevant
Z = high impedance (off)

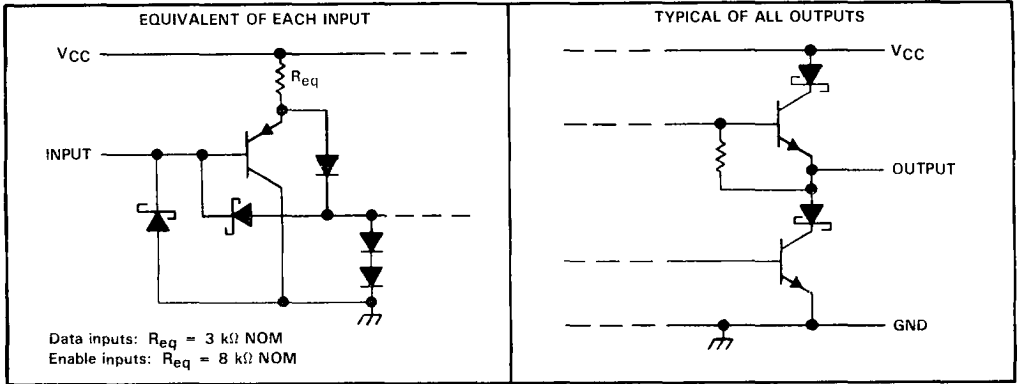
†This symbol is in accordance with ANSI/IEEE Std 91-1984 and IEC Publication 617-12.

Pin numbers shown are for J and N packages.

logic diagram (positive logic)



schematics of inputs and outputs



absolute maximum ratings over operating free-air temperature (unless otherwise noted)

Supply voltage, V_{CC}	7 V
Input voltage	5.5 V
Continuous total dissipation	See Dissipation Rating Table
Operating free-air temperature range	0°C to 70°C
Storage temperature range	-65°C to 150°C
Lead temperature 1,6 mm (1/16 inch) from case for 60 seconds: J package	300°C
Lead temperature 1,6 mm (1/16 inch) from case for 10 seconds: DW or N package	260°C

NOTE 1: All voltage values are with respect to the network ground terminal.

DISSIPATION RATING TABLE

PACKAGE	$T_A \leq 25^\circ\text{C}$	DERATING FACTOR	
	POWER RATING	ABOVE $T_A = 25^\circ\text{C}$	$T_A = 70^\circ\text{C}$
DW	1125 mW	9.0 mW/°C	720 mW
J	1025 mW	8.2 mW/°C	656 mW
N	1150 mW	9.2 mW/°C	736 mW

recommended operating conditions

	MIN	NOM	MAX	UNIT
Supply voltage, V_{CC}	4.75	5	5.25	V
High-level input voltage, V_{IH}	2			V
Low-level input voltage, V_{IL}			0.8	V
Common-mode output voltage, V_{OC}			-7 to 12	V
High-level output current, I_{OH}			-60	mA
Low-level output current, I_{OL}			60	mA
Operating free-air temperature, T_A	0		70	°C

SN75172 QUADRUPLE DIFFERENTIAL LINE DRIVER

electrical characteristics over recommended ranges of supply voltage and operating free-air temperature (unless otherwise noted)

PARAMETER		TEST CONDITIONS		MIN	TYP [†]	MAX	UNIT
V_{IK}	Input clamp voltage	$I_I = -18 \text{ mA}$				-1.5	V
V_O	Output voltage	$I_O = 0$		0		6	V
$ V_{OD1} $	Differential output voltage	$I_O = 0$		1.5		6	V
$ V_{OD2} $	Differential output voltage	$R_L = 100 \Omega$,	See Figure 1	$\frac{1}{2} V_{OD1}$			V
		$R_L = 54 \Omega$,	See Figure 1	1.5	2.5	5	V
V_{OD3}	Differential output voltage	See Note 2		1.5		5	V
$\Delta V_{OD} $	Change in magnitude of differential output voltage [‡]	$R_L = 54 \Omega$ or 100Ω , See Figure 1				± 0.2	V
V_{OC}	Common-mode output voltage [§]					+3 -1	V
$\Delta V_{OC} $	Change in magnitude of common-mode output voltage [‡]					± 0.2	V
I_O	Output current with power off	$V_{CC} = 0, V_O = -7 \text{ V to } 12 \text{ V}$				± 100	μA
I_{OZ}	High-impedance-state output current	$V_O = -7 \text{ V to } 12 \text{ V}$				± 100	μA
I_{IH}	High-level input current	$V_I = 2.7 \text{ V}$?	μA
I_{IL}	Low-level input current	$V_I = 0.5 \text{ V}$				-	μA
I_{OS}	Short-circuit output current	$V_O = -7 \text{ V}$					mA
		$V_O = V_{CC}$					
		$V_O = 12 \text{ V}$				500	
I_{CC}	Supply current (all drivers)	No load	Outputs enabled		38	60	mA
			Outputs disabled		18	40	

[†] All typical values are at $V_{CC} = 5 \text{ V}$ and $T_A = 25^\circ\text{C}$.

[‡] $\Delta|V_{OD}|$ and $\Delta|V_{OC}|$ are the changes in magnitude of V_{OD} and V_{OC} , respectively, that occur when the input is changed from a high level to a low level.

[§] In EIA Standard RS-422-A, V_{OC} , which is the average of the two output voltages with respect to ground, is called output offset voltage, V_{OS} .

NOTE 2: See EIA Standard RS-485 Figure 3-5, Test Termination Measurement 2.

SYMBOL EQUIVALENTS

DATA SHEET PARAMETER	RS-422-A	RS-485
V_O	V_{Oa}, V_{Ob}	V_{Oa}, V_{Ob}
$ V_{OD1} $	V_o	V_o
$ V_{OD2} $	$V_t (R_L = 100 \Omega)$	$V_t (R_L = 54 \Omega)$
$ V_{OD3} $		V_t (Test Termination Measurement 2)
$\Delta V_{OD} $	$ V_t - \bar{V}_t $	$ V_t - \bar{V}_t $
V_{OC}	$ V_{os} $	$ V_{os} $
$\Delta V_{OC} $	$ V_{os} - \bar{V}_{os} $	$ V_{os} - \bar{V}_{os} $
I_{OS}	$ I_{sa} , I_{sb} $	
I_O	$ I_{xa} , I_{xb} $	I_{ia}, I_{ib}

switching characteristics, $V_{CC} = 5\text{ V}$, $T_A = 25^\circ\text{C}$

PARAMETER	TEST CONDITIONS	MIN	TYP	MAX	UNIT
t_{DD} Differential-output delay time	$R_L = 54\ \Omega$, See Figure 2	45	65		ns
t_{TD} Differential-output transition time		80	120		ns
t_{PZH} Output enable time to high level	$R_L = 110\ \Omega$, See Figure 3		80	120	ns
t_{PZL} Output enable time to low level	$R_L = 110\ \Omega$, See Figure 4		45	80	ns
t_{PHZ} Output disable time from high level	$R_L = 110\ \Omega$, See Figure 3		78	115	ns
t_{PLZ} Output disable time from low level	$R_L = 110\ \Omega$, See Figure 4		18	30	ns

PARAMETER MEASUREMENT INFORMATION

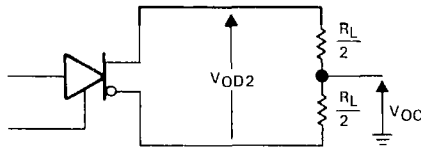


FIGURE 1. DIFFERENTIAL AND COMMON-MODE OUTPUT VOLTAGES

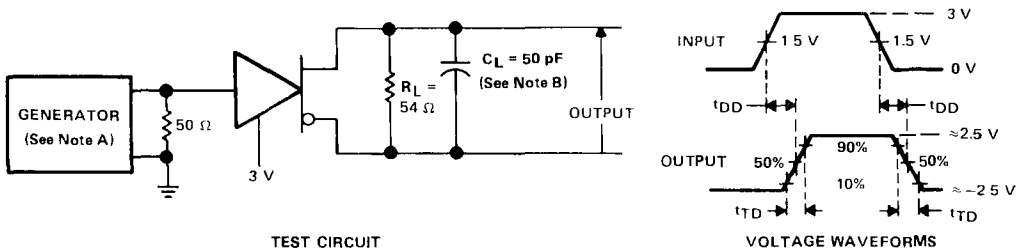


FIGURE 2. DRIVER DIFFERENTIAL-OUTPUT DELAY AND TRANSITION TIMES

- NOTES: A. The input pulse is supplied by a generator having the following characteristics: $t_r \leq 5\text{ ns}$, $t_f \leq 5\text{ ns}$, $\text{PRR} \leq 1\text{ MHz}$, duty cycle = 50%, $Z_o = 50\ \Omega$.
 B. C_L includes probe and stray capacitance.

**SN75172,
QUADRUPLE DIFFERENTIAL LINE DRIVER**

PARAMETER MEASUREMENT INFORMATION

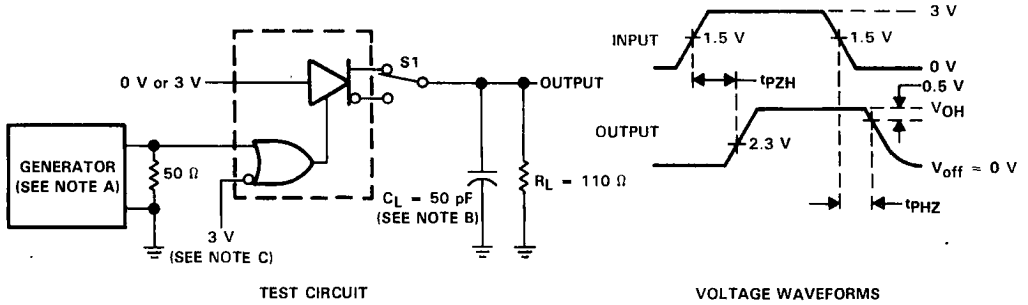


FIGURE 3. t_{pZH} AND t_{pHZ}

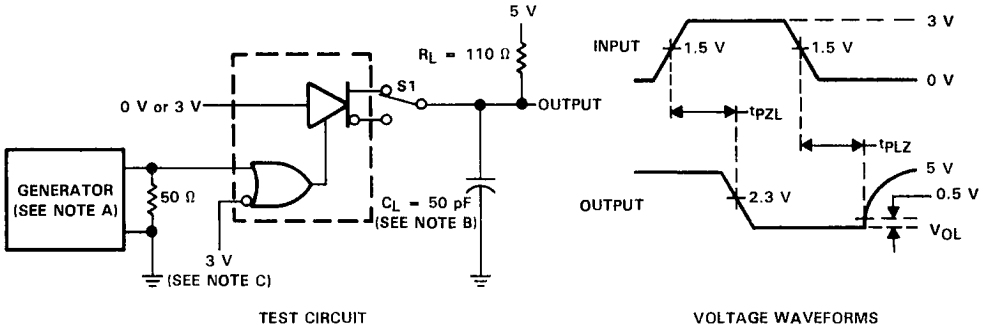


FIGURE 4. t_{pZL} AND t_{PLZ}

- NOTES: A. The input pulse is supplied by a generator having the following characteristics: $t_f \leq 5$ ns, $t_r \leq 5$ ns, PRR ≤ 1 MHz, duty cycle = 50%, $Z_{out} = 50$ Ω .
 B. C_L include probe and jig capacitance.
 C. To test the active-low enable \bar{G} , ground G and apply an inverted waveform to \bar{G} .

TYPICAL CHARACTERISTICS

HIGH-LEVEL OUTPUT VOLTAGE
 vs
 HIGH-LEVEL OUTPUT CURRENT

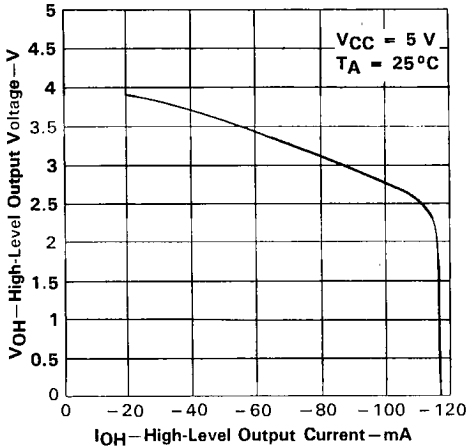


FIGURE 5

LOW-LEVEL OUTPUT VOLTAGE
 vs
 LOW-LEVEL OUTPUT CURRENT

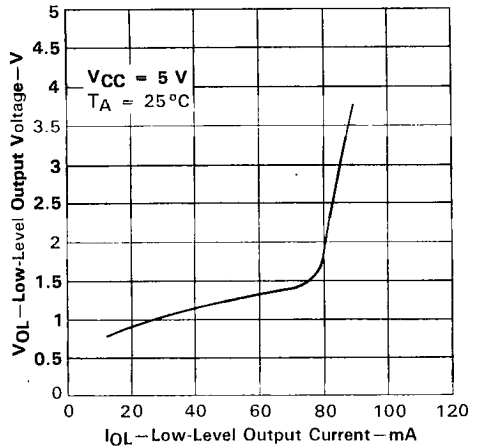


FIGURE 6

DIFFERENTIAL OUTPUT VOLTAGE
 vs
 OUTPUT CURRENT

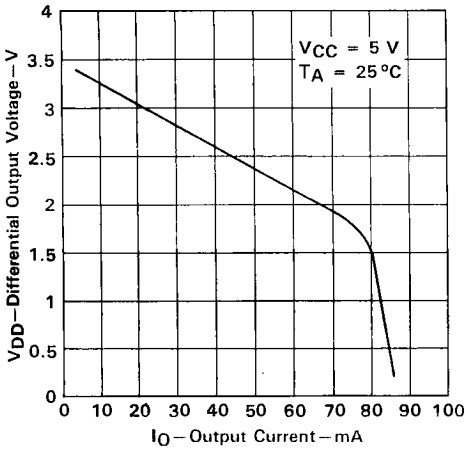


FIGURE 7

OUTPUT CURRENT
 vs
 OUTPUT VOLTAGE

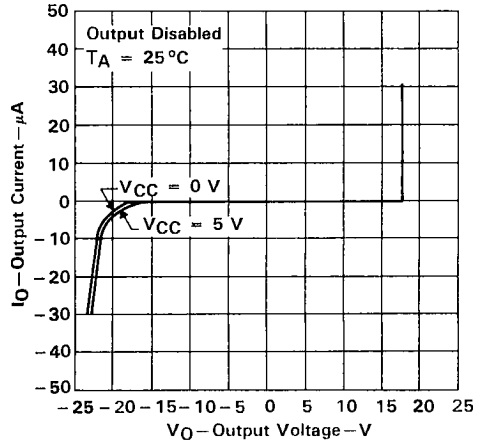


FIGURE 8

SN75172
QUADRUPLE DIFFERENTIAL LINE DRIVER

TYPICAL CHARACTERISTICS

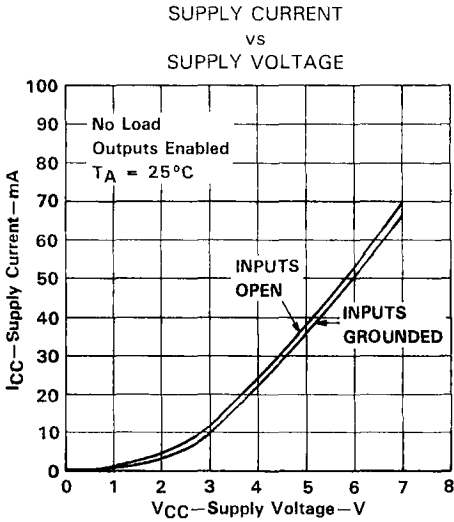


FIGURE 9

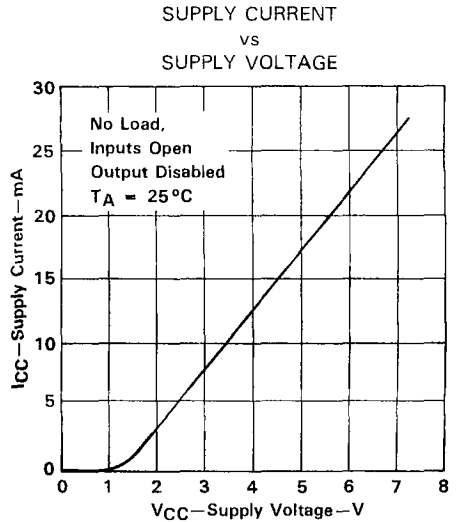
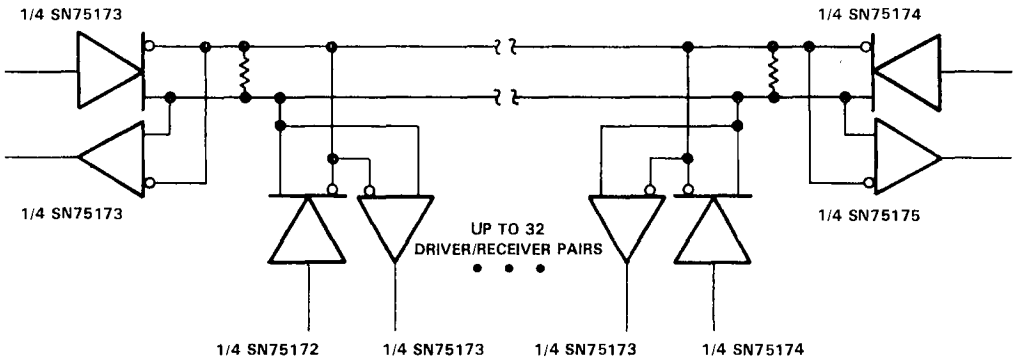


FIGURE 10

TYPICAL APPLICATION



NOTE A: The line length should be terminated at both ends in its characteristic impedance. Stub lengths off the main line should be kept as short as possible.

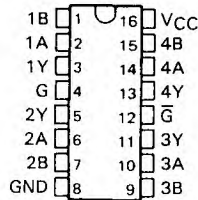
FIGURE 11

SN75173 QUADRUPLE DIFFERENTIAL LINE RECEIVER

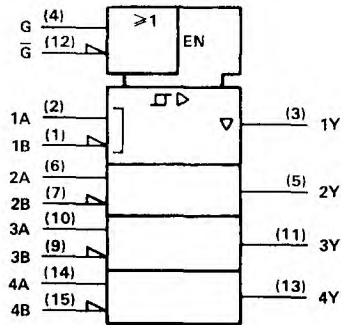
D2600, OCTOBER 1980--REVISED JULY 1990

- Meets EIA Standards RS-422-A, RS-423-A, and RS-485
- Meets CCITT Recommendations V.10, V.11, X.26, and X.27
- Designed for Multipoint Bus Transmission on Long Bus Lines in Noisy Environments
- 3-State Outputs
- Common-Mode Input Voltage Range . . . -12 to 12 V
- Input Sensitivity . . . ± 200 mV
- Input Hysteresis . . . 50 mV Typ
- High Input Impedance . . . 12 k Ω Min
- Operates from Single 5-V Supply
- Low Power Requirements
- Plug-In Replacement for AM26LS32

D, J, OR N PACKAGE
(TOP VIEW)



logic symbol†



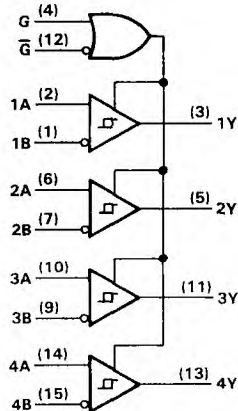
†This symbol is in accordance with ANSI/IEEE Std 91-1984 and IEC Publication 617-12.

description

The SN75173 is a monolithic quadruple differential line receiver with 3-state outputs. It is designed to meet the requirements of EIA Standards RS-422-A, RS-423-A, and RS-485 and several CCITT recommendations. The device is optimized for balanced multipoint bus transmission at rates up to 10 megabits per second. The four receivers share two ORed enable inputs, one active when high, the other active when low. The device features high input impedance, input hysteresis for increased noise immunity, and input sensitivity of ± 200 mV over a common-mode input voltage range of -12 to 12 V. Fail safe design ensures that if the inputs are open circuited, the outputs will always be high. The SN75173 is designed for optimum performance when used with the SN75172 or SN75174 quadruple differential line drivers.

The SN75173 is characterized for operation from 0°C to 70°C.

logic diagram (positive logic)



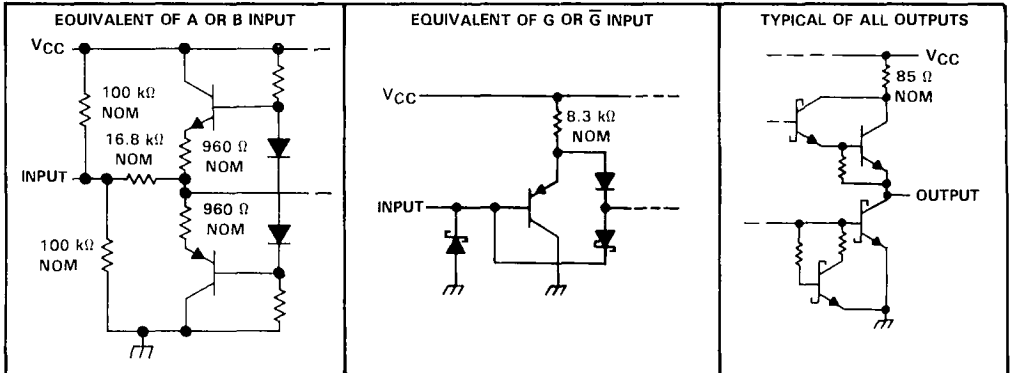
SN75173 QUADRUPLE DIFFERENTIAL LINE RECEIVER

FUNCTION TABLE (EACH RECEIVER)

DIFFERENTIAL A-B	ENABLES		OUTPUT Y
	G	\bar{G}	
$V_{ID} \geq 0.2 \text{ V}$	H	X	H
	X	L	H
$-0.2 \text{ V} < V_{ID} < 0.2 \text{ V}$	H	X	?
	X	L	?
$V_{ID} \leq -0.2 \text{ V}$	H	X	L
	X	L	L
X	L	H	Z

H = high level
 L = low level
 X = irrelevant
 ? = indeterminate
 Z = high impedance (off)

schematics of inputs and outputs



SN75173 QUADRUPLE DIFFERENTIAL LINE RECEIVER

absolute maximum ratings over operating free-air temperature range (unless otherwise noted)

Supply voltage, V_{CC} (see Note 1)	7 V
Input voltage, A or B inputs	± 25 V
Differential input voltage (see Note 2)	± 25 V
Enable input voltage	7 V
Low-level output current	50 mA
Continuous total dissipation at (or below) 25°C free-air temperature (see Note 3):	
D package	950 mW
J package	1025 mW
N package	1150 mW
Operating free-air temperature range	0°C to 70°C
Storage temperature range	-65°C to 150°C
Lead temperature 1,6 mm (1/16 inch) from case for 60 seconds: J package	300°C
Lead temperature 1,6 mm (1/16 inch) from case for 10 seconds: D or N package	260°C

- NOTES: 1. All voltage values, except differential input voltage, are with respect to network ground terminal.
 2. Differential-input voltage is measured at the noninverting input with respect to the corresponding inverting input.
 3. For operation above 25°C free-air temperature, derate the D package to 608 mW at 70°C at the rate of 7.6 mW/°C, the J package to 656 mW at 70°C at the rate of 8.2 mW/°C, and the N package to 736 mW at 70°C at the rate of 9.2 mW/°C. In the J package, SN75173 chips are glass mounted.

recommended operating conditions

	MIN	NOM	MAX	UNIT
Supply voltage, V_{CC}	4.75	5	5.25	V
Common-mode input voltage, V_{IC}			± 12	V
Differential input voltage, V_{ID}			± 12	V
High-level input voltage, V_{IH}	2			V
Low-level input voltage, V_{IL}			0.8	V
High-level output current, I_{OH}			-400	μ A
Low-level output current, I_{OL}			16	mA
Operating free-air temperature, T_A	0		70	°C

SN75173 QUADRUPLE DIFFERENTIAL LINE RECEIVER

electrical characteristics over recommended ranges of common-mode input voltage, supply voltage, and operating free-air temperature (unless otherwise noted)

PARAMETER		TEST CONDITIONS		MIN	TYP [†]	MAX	UNIT	
V _{TH}	Differential-input high-threshold voltage	V _O = 2.7 V,	I _O = -0.4 mA			0.2	V	
V _{TL}	Differential-input low-threshold voltage	V _O = 0.5 V,	I _O = 16 mA	-0.2 [‡]			V	
V _{hys}	Hysteresis [§]				50		mV	
V _{IK}	Enable-input clamp voltage	I _I = -18 mA				-1.5	V	
V _{OH}	High-level output voltage	V _{ID} = 200 mV,	I _{OH} = -400 μA		2.7		V	
V _{OL}	Low-level output voltage	V _{ID} = -200 mV,	I _{OL} = 8 mA			0.45	V	
			I _{OL} = 16 mA			0.5		
I _{OZ}	High-impedance-state output current	V _O = 0.4 V to 2.4 V				±20	μA	
I _I	Line input current	Other input at 0 V, See Note 4	V _I = 12 V			1	mA	
			V _I = -7 V			-0.8		
I _{IH}	High-level enable-input current	V _{IH} = 2.7 V				20	μA	
I _{IL}	Low-level enable-input current	V _{IL} = 0.4 V				-100	μA	
r _i	Input resistance				12		kΩ	
I _{OS}	Short-circuit output current [¶]					-15	-85	mA
I _{CC}	Supply current	Outputs disabled				70	mA	

[†]All typical values are at V_{CC} = 5 V, T_A = 25°C.

[‡]The algebraic convention, in which the less positive (more negative) limit is designated minimum, is used in this data sheet for threshold voltage levels only.

[§]Hysteresis is the difference between the positive-going input threshold voltage, V_{T+}, and the negative-going input threshold voltage, V_{T-}. See Figure 4.

[¶]Not more than one output should be shorted at a time and the duration of the short circuit should not exceed one second.

NOTE 4: Refer to EIA Standard RS-422-A and RS-423-A for exact conditions.

switching characteristics, V_{CC} = 5 V, T_A = 25°C

PARAMETER		TEST CONDITIONS		MIN	TYP	MAX	UNIT
t _{PLH}	Propagation delay time, low-to-high-level output	V _{ID} = -1.5 V to 1.5 V, C _L = 15 pF,			20	35	ns
t _{PHL}	Propagation delay time, high-to-low-level output	See Figure 1			22	35	ns
t _{PZH}	Output enable time to high level	C _L = 15 pF,	See Figure 2		17	22	ns
t _{PZL}	Output enable time to low level	C _L = 15 pF,	See Figure 3		20	25	ns
t _{PHZ}	Output disable time from high level	C _L = 5 pF,	See Figure 2		21	30	ns
t _{PLZ}	Output disable time from low level	C _L = 5 pF,	See Figure 3		30	40	ns

PARAMETER MEASUREMENT INFORMATION

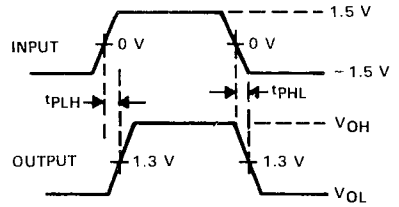
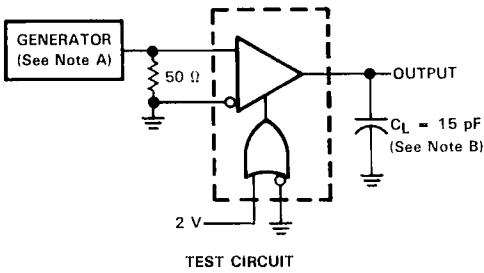


FIGURE 1. t_{PLH} , t_{PHL}

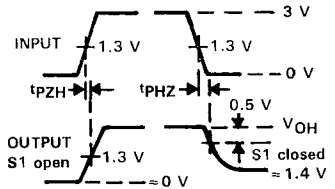
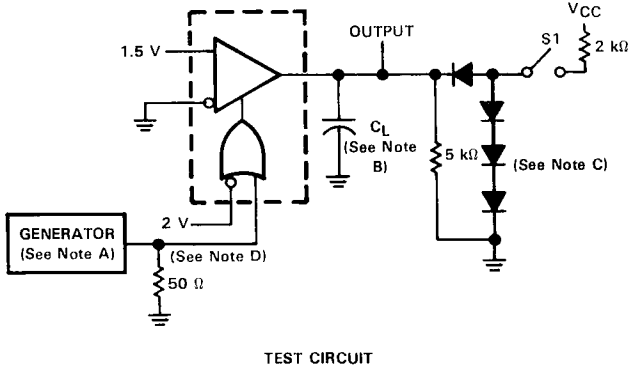


FIGURE 2. t_{PZH} , t_{PHZ}

- NOTES: A. The input pulse is supplied by a generator having the following characteristics: $PRR \leq 1$ MHz, duty cycle = 50%, $t_r \leq 6$ ns, $t_f \leq 6$ ns, $Z_{out} = 50 \Omega$.
 B. C_L includes probe and jig capacitance.
 C. All diodes are 1N916 or equivalent.
 D. To test the active-low enable \overline{G} , ground G and apply an inverted input waveform to \overline{G} .

PARAMETER MEASUREMENT INFORMATION

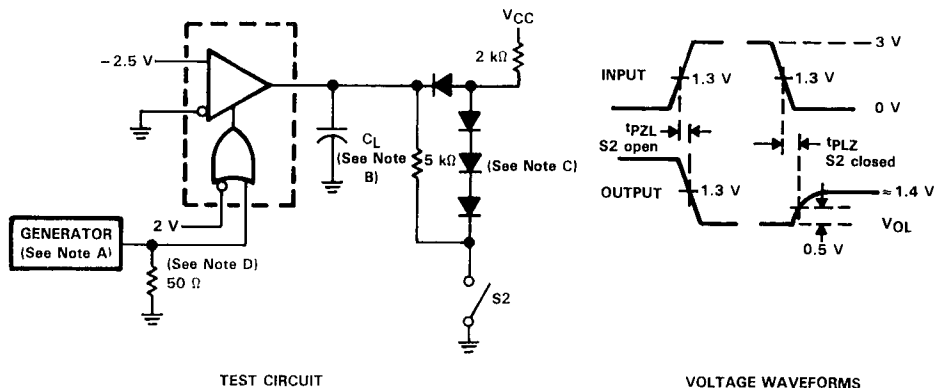


FIGURE 3. t_{PZL} , t_{PLZ}

- NOTES: A. The input pulse is supplied by a generator having the following characteristics: $PRR \leq 1$ MHz, duty cycle = 50%, $t_r \leq 6$ ns, $t_f \leq 6$ ns, $Z_{out} = 50 \Omega$.
 B. C_L includes probe and jig capacitance.
 C. All diodes are 1N916 or equivalent.
 D. To test the active-low enable \bar{G} , ground G and apply an inverted input waveform to \bar{G} .

TYPICAL CHARACTERISTICS

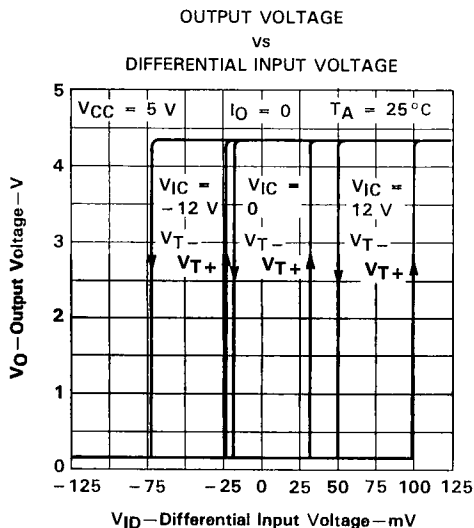


FIGURE 4

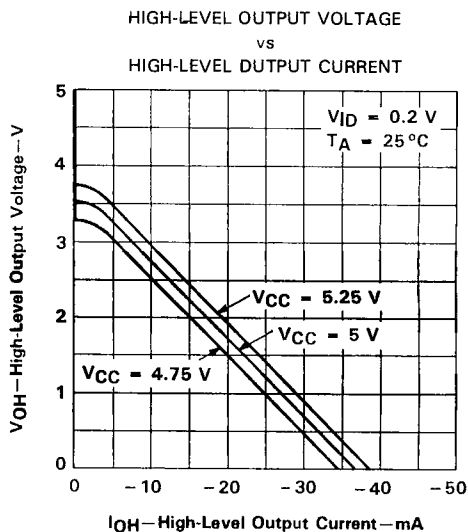


FIGURE 5

TYPICAL CHARACTERISTICS

HIGH-LEVEL OUTPUT VOLTAGE
 vs
 FREE-AIR TEMPERATURE

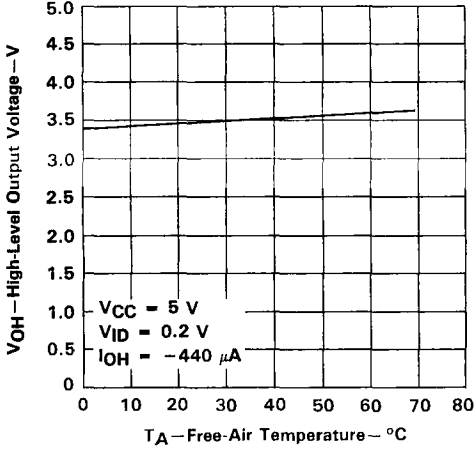


FIGURE 6

LOW-LEVEL OUTPUT VOLTAGE
 vs
 LOW-LEVEL OUTPUT CURRENT

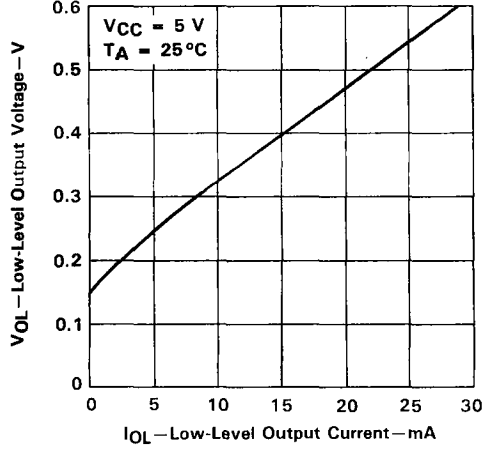


FIGURE 7

LOW-LEVEL OUTPUT VOLTAGE
 vs
 FREE-AIR TEMPERATURE

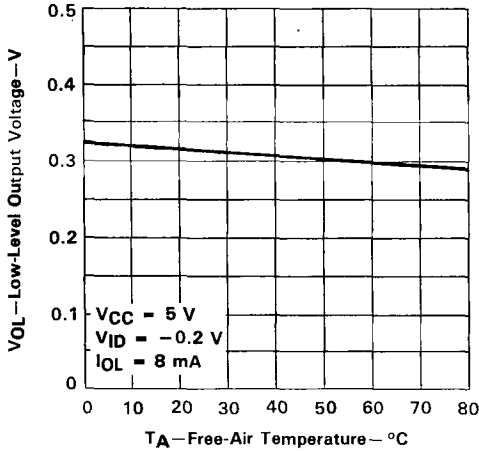


FIGURE 8

OUTPUT VOLTAGE
 vs
 ENABLE G VOLTAGE

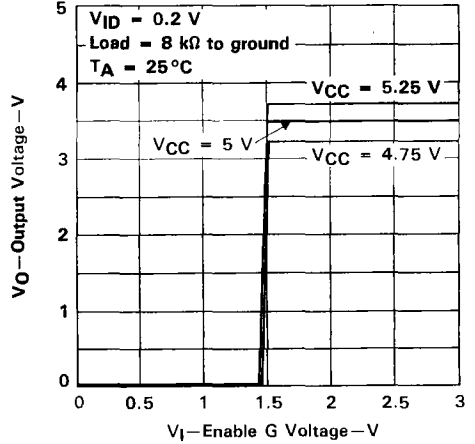


FIGURE 9

SN75173
QUADRUPLE DIFFERENTIAL LINE RECEIVER

TYPICAL CHARACTERISTICS

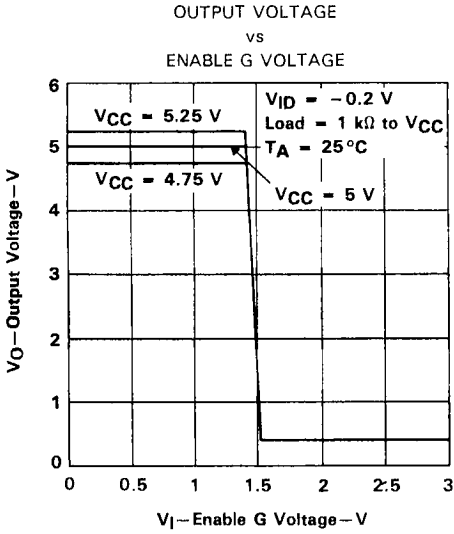


FIGURE 10

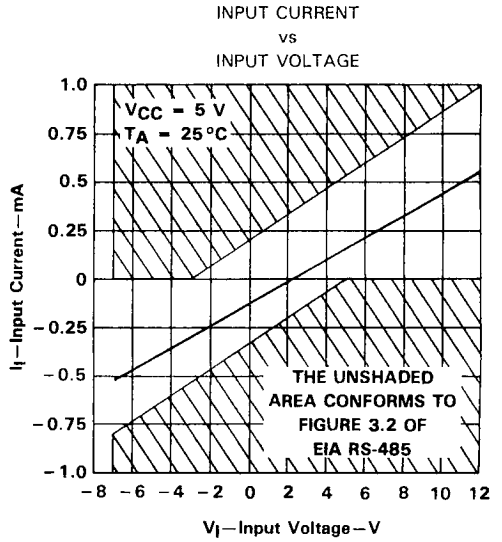
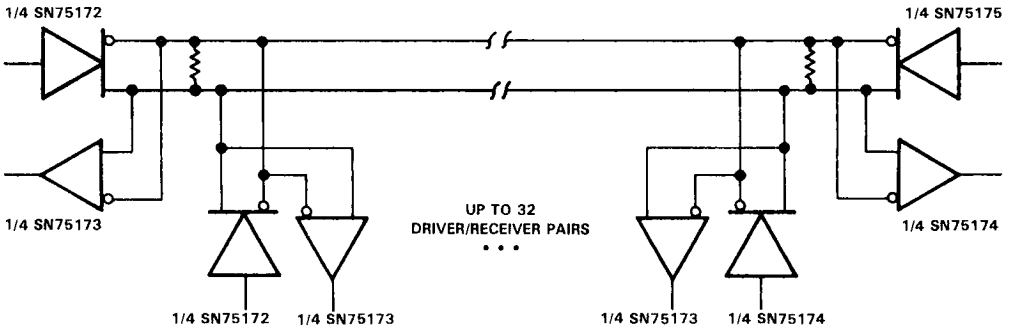


FIGURE 11

TYPICAL APPLICATION



NOTE: The line should be terminated at both ends in its characteristic impedance. Stub lengths off the main line should be kept as short as possible.

SN75174 QUADRUPLE DIFFERENTIAL LINE DRIVER

D2601, OCTOBER 1980—REVISED MAY 1988

- Meets EIA Standards RS-422-A and RS-485 and CCITT Recommendations V.11 and X.27
- Designed for Multipoint Transmission on Long Bus Lines in Noisy Environments
- 3-State Outputs
- Common-Mode Output Voltage Range of -7 V to 12 V
- Active-High Enable
- Thermal Shutdown Protection
- Positive- and Negative-Current Limiting
- Operates from Single 5-V Supply
- Low Power Requirements
- Functionally Interchangeable with MC3487

description

The SN75174 is a monolithic quadruple differential line driver with three-state outputs. It is designed to meet the requirements of EIA Standards RS-422-A and RS-485 and CCITT Recommendations V.11 and X.27. The device is optimized for balanced multipoint bus transmission at rates up to 4 megabaud. Each driver features wide positive and negative common-mode output voltage ranges making it suitable for party-line applications in noisy environments.

The SN75174 provides positive- and negative-current limiting and thermal shutdown for protection from line fault conditions on the transmission bus line. Shutdown occurs at a junction temperature of approximately 150°C. This device offers optimum performance when used with the SN75173 or SN75175 quadruple differential line receivers.

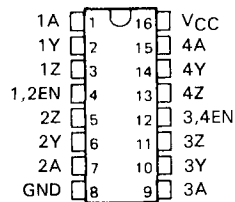
The SN75174 is characterized for operation from 0°C to 70°C.

FUNCTION TABLE (EACH DRIVER)

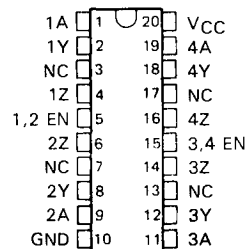
INPUT	ENABLE	OUTPUTS	
		Y	Z
H	H	H	L
L	H	L	H
X	L	Z	Z

H = TTL high level, X = irrelevant,
L = TTL low level, Z = High impedance (off)

**J OR N PACKAGE
(TOP VIEW)**

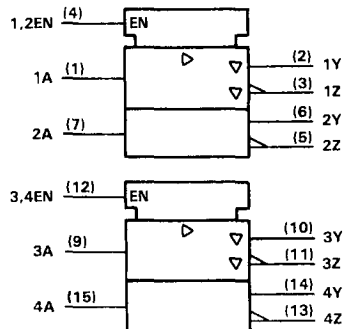


**DW PACKAGE
(TOP VIEW)**



NC—No internal connection

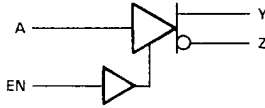
logic symbol



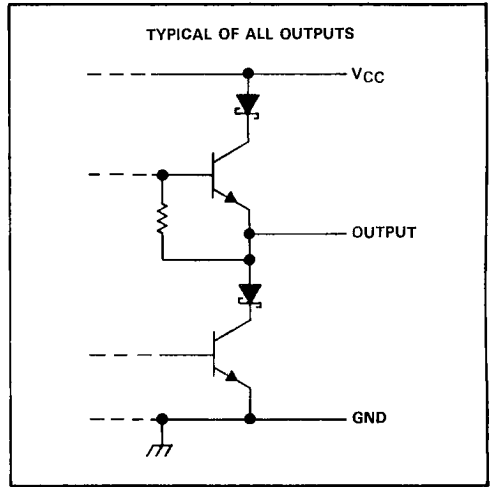
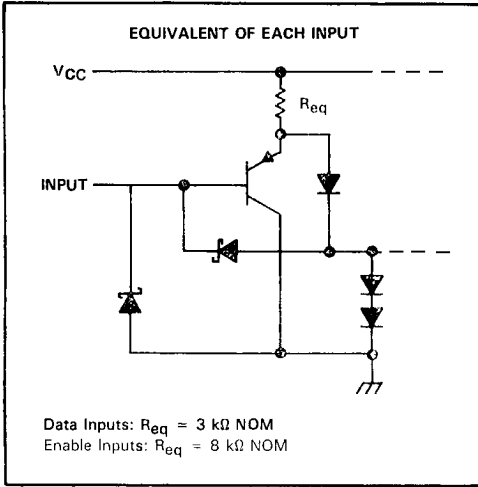
† This symbol is in accordance with ANSI/IEEE Std 91-1984 and IEC Publication 617-12.

SN75174 QUADRUPLE DIFFERENTIAL LINE DRIVER

logic diagram, each driver (positive logic)



schematics of inputs and outputs



absolute maximum ratings over operating free-air temperature (unless otherwise noted)

Supply voltage, V_{CC} (see Note 1)	7 V
Input voltage	5.5 V
Continuous total dissipation	See Dissipation Rating Table
Operating free-air temperature range	0°C to 70°C
Storage temperature range	-65°C to 150°C
Lead temperature 1,6 mm (1/16 inch) from case for 60 seconds: J package	300°C
Lead temperature 1,6 mm (1/16 inch) from case for 10 seconds: DW or N package	260°C

NOTE 1: All voltage values are with respect to the network ground terminal.

DISSIPATION RATING TABLE

PACKAGE	$T_A \leq 25^\circ\text{C}$ POWER RATING	DERATING FACTOR ABOVE $T_A = 25^\circ\text{C}$	$T_A = 70^\circ\text{C}$ POWER RATING
DW	1125 mW	9.0 mW/°C	100 mW
J	1025 mW	8.2 mW/°C	656 mW
N	1150 mW	9.2 mW/°C	736 mW

recommended operating conditions

	MIN	NOM	MAX	UNIT
Supply voltage, V_{CC}	4.75	5	5.25	V
High-level input voltage, V_{IH}	2			V
Low-level input voltage, V_{IL}			0.8	V
Common-mode output voltage, V_{OC}			-7 to 12	V
High-level output current, I_{OH}			-60	mA
Low-level output current, I_{OL}			60	mA
Operating free-air temperature, T_A	0		70	°C

electrical characteristics over recommended ranges of supply voltage and operating free-air temperature (unless otherwise noted)

PARAMETER	TEST CONDITIONS	MIN	TYP†	MAX	UNIT	
V_{IK} Input clamp voltage	$I_I = -18$ mA			-1.5	V	
V_{OH} High-level output voltage	$V_{IH} = 2$ V, $V_{IL} = 0.8$ V, $I_{OH} = -33$ mA		3.7		V	
V_{OL} Low-level output voltage	$V_{IH} = 2$ V, $V_{IL} = 0.8$ V, $I_{OL} = 33$ mA		1.1		V	
V_O Output voltage	$I_O = 0$	0		5	V	
$ V_{OD1} $ Differential output voltage	$I_O = 0$	1.5		6	V	
$ V_{OD2} $ Differential output voltage	$R_L = 100 \Omega$, See Figure 1	$\frac{1}{2} V_{OD1}$			V	
	$R_L = 54 \Omega$, See Figure 1	1.5	2.5	5	V	
V_{OD3} Differential output voltage	See Note 2	1.5		5	V	
$\Delta V_{OD} $ Change in magnitude of differential output voltage†				±0.2	V	
V_{OC} Common mode output voltage	$R_L = 54 \Omega$ or 100Ω , See Figure 1			+3 -1	V	
$\Delta V_{OC} $ Change in magnitude of common mode output voltage†				±0.2	V	
I_O Output current with power off	$V_{CC} = 0$, $V_O = -7$ V to 12 V			±100	μA	
I_{OZ} High-impedance-state output current	$V_O = -7$ V to 12 V			±100	μA	
I_{IH} High-level input current	$V_I = 2.7$ V			20	μA	
I_{IL} Low-level input current	$V_I = 0.5$ V			-360	μA	
I_{OS} Short-circuit output current	$V_O = -7$ V			-250	mA	
	$V_O = V_{CC}$			180	mA	
	$V_O = 12$ V			500	mA	
I_{CC} Supply current (all drivers)	No load	Outputs enabled		38	60	mA
		Outputs dis . . .		18	40	

† All typical values are at $V_{CC} = 5$ V and $T_A = 25^\circ\text{C}$.

‡ $\Delta|V_{OD}|$ and $\Delta|V_{OC}|$ are the changes in magnitude of V_{OD} and V_{OC} , respectively, that occur when the input is changed from a high level to a low level.

NOTE 2: See EIA Standard RS-485 Figure 3.5, Test Termination Measurement 2.

SN75174 QUADRUPLE DIFFERENTIAL LINE DRIVER

switching characteristics, $V_{CC} = 5\text{ V}$, $T_A = 25^\circ\text{C}$

PARAMETER	TEST CONDITIONS	MIN	TYP	MAX	UNIT
t_{DD} Differential-output delay time	$R_L = 54\ \Omega$, See Figure 2		45	65	ns
t_{TD} Differential-output transition time	$R_L = 54\ \Omega$, See Figure 2		80	120	ns
t_{pZH} Output enable time to high level	$R_L = 110\ \Omega$, See Figure 3		80	120	ns
t_{pZL} Output enable time to low level	$R_L = 110\ \Omega$, See Figure 4		55	80	ns
t_{pHZ} Output disable time from high level	$R_L = 110\ \Omega$, See Figure 3		75	115	ns
t_{pLZ} Output disable time from low level	$R_L = 110\ \Omega$, See Figure 4		18	30	ns

SYMBOL EQUIVALENTS

DATA SHEET PARAMETER	RS-422-A	RS-485
V_O	V_{Oa}, V_{Ob}	V_{Oa}, V_{Ob}
$ V_{OD1} $	V_o	V_o
$ V_{OD2} $	$V_t (R_L = 100\ \Omega)$	$V_t (R_L = 54\ \Omega)$
$ V_{OD3} $		V_t (Test Termination Measurement 2)
$\Delta V_{OD} $	$ V_t - \bar{V}_t $	$ V_t - \bar{V}_t $
V_{OC}	$ V_{os} $	$ V_{os} $
$\Delta V_{OC} $	$ V_{os} - \bar{V}_{os} $	$ V_{os} - \bar{V}_{os} $
I_{OS}	$ I_{sa} , I_{sb} $	
I_O	$ I_{xa} , I_{xb} $	I_a, I_b

PARAMETER MEASUREMENT INFORMATION

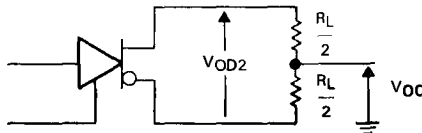
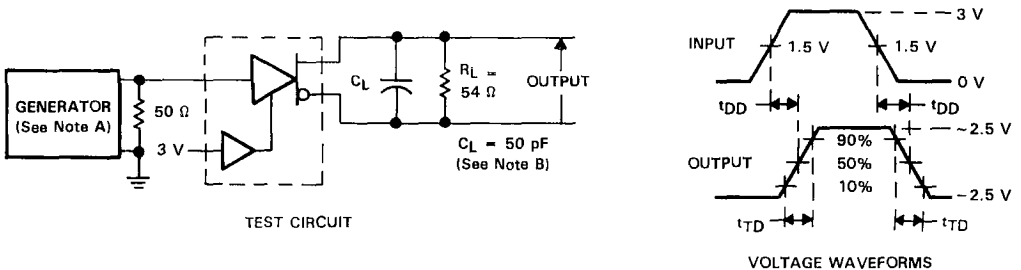


FIGURE 1. DIFFERENTIAL AND COMMON-MODE OUTPUT VOLTAGES



- NOTES: A. The input pulse is supplied by a generator having the following characteristics: $t_r \leq 5\text{ ns}$, $t_f \leq 5\text{ ns}$, $\text{PRR} \leq 1\text{ MHz}$, duty cycle = 50%, $Z_0 = 50\ \Omega$.
 B. C_L includes probe and stray capacitance.

FIGURE 2. DIFFERENTIAL-OUTPUT DELAY AND TRANSITION TIMES

PARAMETER MEASUREMENT INFORMATION

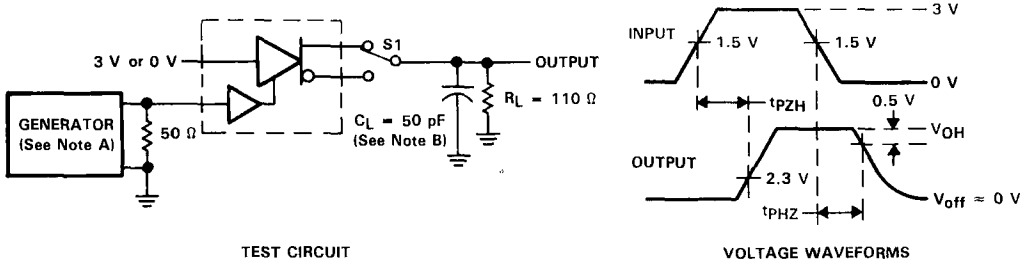


FIGURE 3. t_{pZH} AND t_{PHZ}

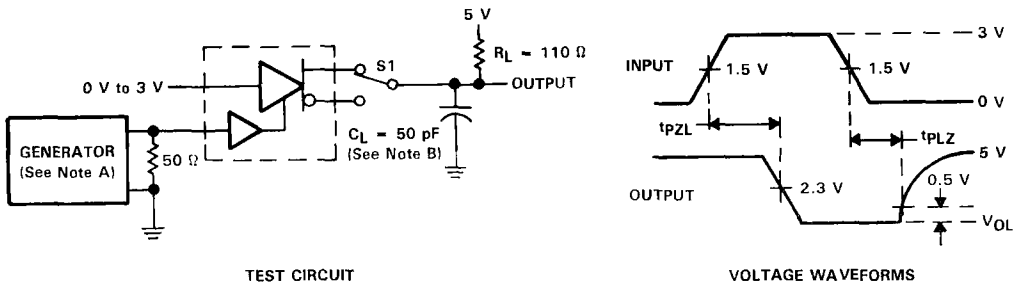


FIGURE 4. t_{pZL} AND t_{PLZ}

- NOTES: A. The input pulse is supplied by a generator having the following characteristics: $PRR \leq 1$ MHz, duty cycle = 50%, $t_r \leq 5$ ns, $t_f \leq 5$ ns, $Z_o = 50 \Omega$.
 B. C_L includes probe and stray capacitance.

TYPICAL CHARACTERISTICS

HIGH-LEVEL OUTPUT VOLTAGE
 vs
HIGH-LEVEL OUTPUT CURRENT

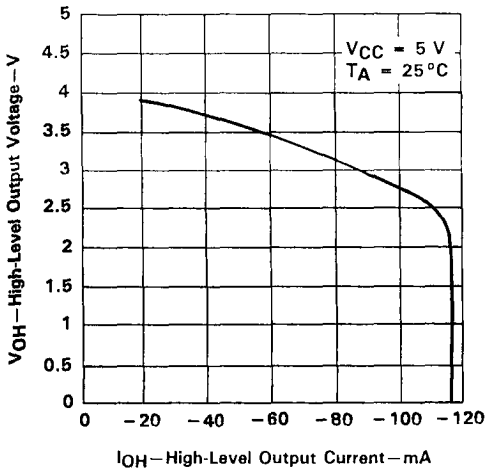


FIGURE 5

LOW-LEVEL OUTPUT VOLTAGE
 vs
LOW-LEVEL OUTPUT CURRENT

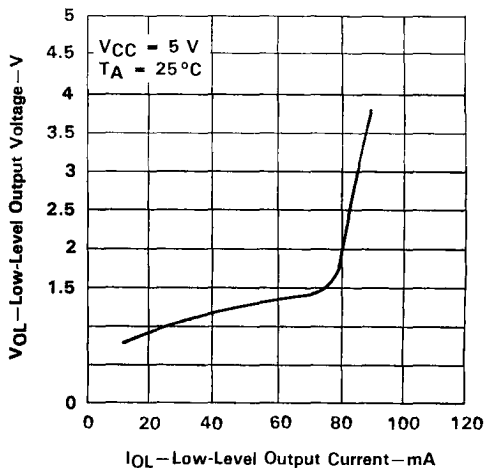


FIGURE 6

DIFFERENTIAL OUTPUT VOLTAGE
 vs
OUTPUT CURRENT

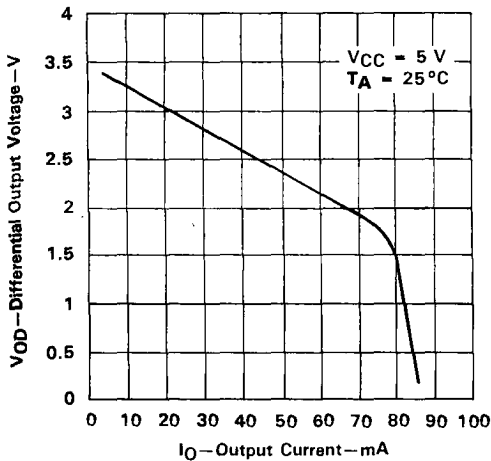


FIGURE 7

OUTPUT CURRENT
 vs
OUTPUT VOLTAGE

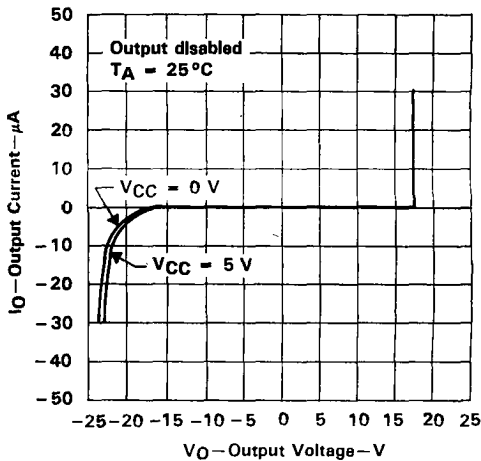


FIGURE 8

TYPICAL CHARACTERISTICS

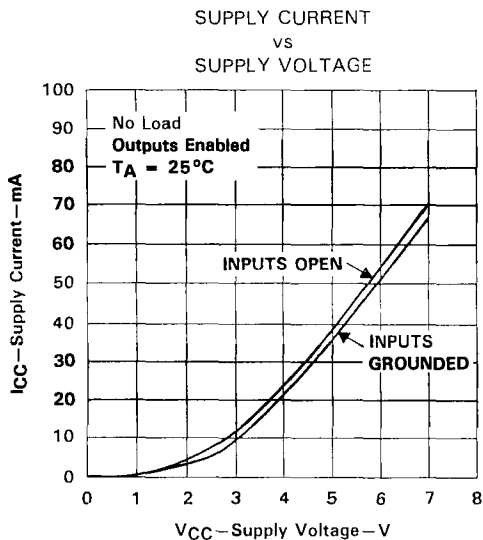


FIGURE 9

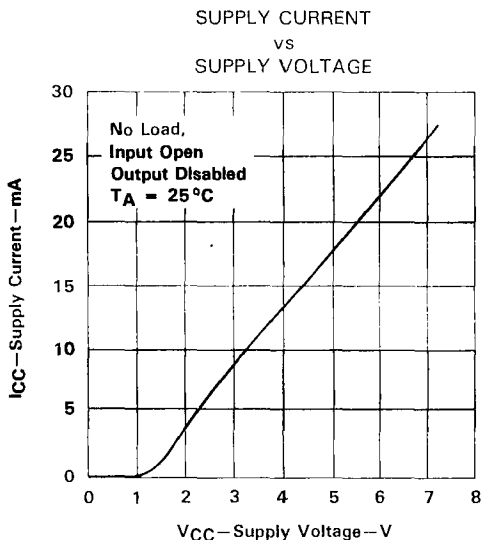
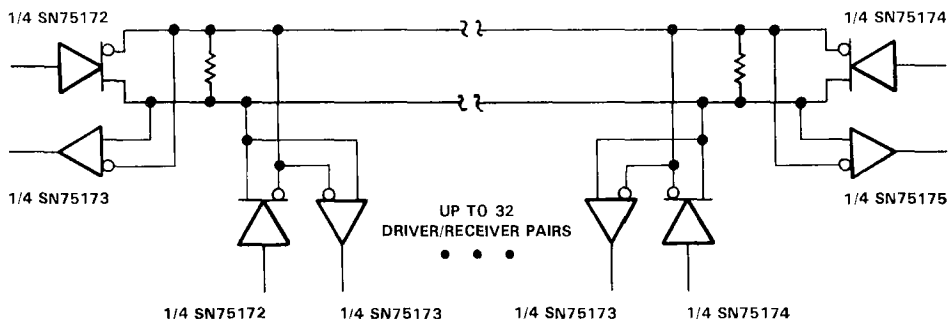


FIGURE 10

TYPICAL APPLICATION



NOTE: The line length should be terminated at both ends in its characteristic impedance. Stub lengths off the main line should be kept as short as possible.

FIGURE 11



SN75175 QUADRUPLE DIFFERENTIAL LINE RECEIVER

D2602, OCTOBER 1980—REVISED SEPTEMBER 1989

- Meets EIA Standards RS-422-A, RS-423-A, and RS-485
- Meets CCITT Recommendations V.10, V.11, X.26, and X.27
- Designed for Multipoint Bus Transmission on Long Bus Lines in Noisy Environments
- 3-State Outputs
- Common-Mode Input Voltage Range - 12 V to 12 V
- Input Sensitivity . . . ± 200 mV
- Input Hysteresis . . . 50 mV Typ
- High Input Impedance . . . 12 k Ω Min
- Operates from Single 5-V Supply
- Low Power Requirements
- Plug-in Replacement for MC3486

description

The SN75175 is a monolithic quadruple differential line receiver with 3-state outputs. It is designed to meet the requirements of EIA Standards RS-422-A, RS-423-A, and RS-485 and several CCITT recommendations. The device is optimized for balanced multipoint bus transmission at rates up to 10 megabits per second. Each of the two pairs of receivers has a common active-high enable.

The receivers feature high input impedance, input hysteresis for increased noise immunity, and input sensitivity of ± 200 mV over a common-mode input voltage range of ± 12 V. The SN75175 is designed for optimum performance when used with the SN75172 or SN75174 quadruple differential line drivers.

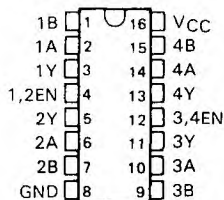
The SN75175 is characterized for operation from 0°C to 70°C.

FUNCTION TABLE (EACH RECEIVER)

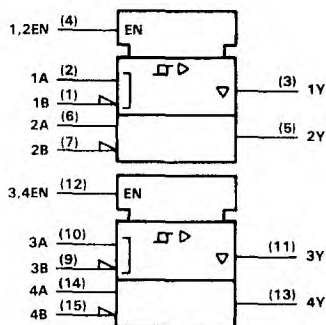
DIFFERENTIAL INPUTS A - B	ENABLE	OUTPUT Y
$V_{ID} \geq 0.2$ V	H	H
-0.2 V $< V_{ID} < 0.2$ V	H	?
$V_{ID} \geq -0.2$ V	H	L
X	L	Z

H = high level, L = low level, ? = indeterminate,
X = irrelevant, Z = high impedance (off)

D, J, OR N PACKAGE
(TOP VIEW)

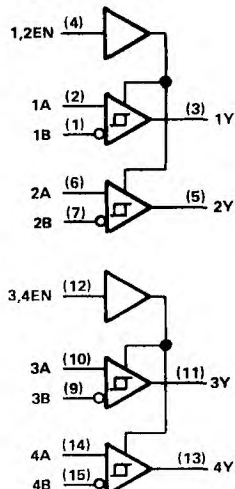


logic symbol†



† This symbol is in accordance with ANSI/IEEE Std 91-1984 and IEC Publication 617-12.

logic diagram (positive logic)



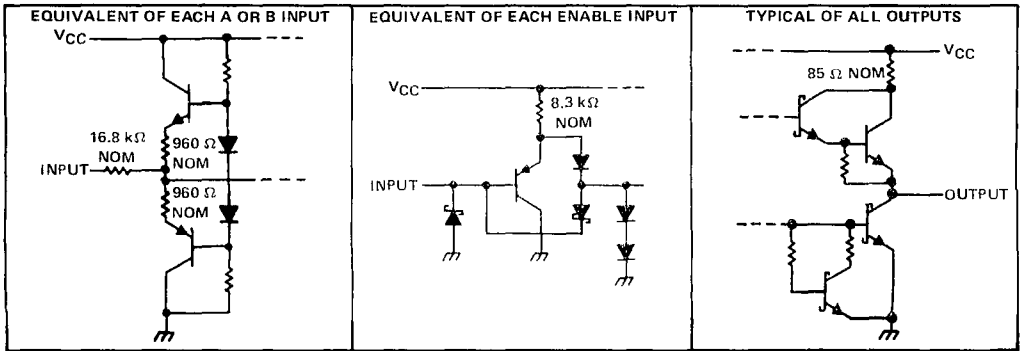
PRODUCTION DATA documents contain information current as of publication date. Products conform to specifications per the terms of Texas Instruments standard warranty. Processing does not necessarily include testing of all parameters.


TEXAS INSTRUMENTS
 POST OFFICE BOX 655303 • DALLAS, TEXAS 75265

Copyright © 1989, Texas Instruments Incorporated

SN75175 QUADRUPLE DIFFERENTIAL LINE RECEIVER

schematics of inputs and outputs



absolute maximum ratings over operating free-air temperature range (unless otherwise noted)

Supply voltage, V_{CC} (see Note 1)	7 V
Input voltage, A or B inputs	± 25 V
Differential input voltage (see Note 2)	± 25 V
Enable input voltage	7 V
Low-level output current	50 mA
Continuous total dissipation at (or below) 25°C free-air temperature (see Note 3):	
D package	950 mW
J package	1025 mW
N Package	1150 mW
Operating free-air temperature range	0°C to 70°C
Storage temperature range	-65°C to 150°C
Lead temperature 1,6 mm (1/16 inch) from case for 60 seconds: J package	-300°C
Lead temperature 1,6 mm (1/16 inch) from case for 10 seconds: D or N package	-260°C

- NOTES: 1. All voltage values, except differential input voltage, are with respect to network ground terminal.
 2. Differential-input voltage is measured at the noninverting input with respect to the corresponding inverting input.
 3. For operation above 25°C free-air temperature, derate the D package to 608 mW at 70°C at the rate of 7.6 mW/°C, the J package to 656 mW at 70°C at the rate of 8.2 mW/°C, and the N package to 736 mW at 70°C at the rate of 9.2 mW/°C. In the J package, SN75175 chips are glass mounted.

recommended operating conditions

	MIN	NOM	MAX	UNIT
Supply voltage, V_{CC}	4.75	5	5.25	V
Common-mode input voltage, V_{IC}			± 12	V
Differential input voltage, V_{ID}			± 12	V
High-level enable input voltage, V_{IH}	2			V
Low-level enable input voltage, V_{IL}			0.8	V
High-level output current, I_{OH}			-400	μ A
Low-level output current, I_{OL}			16	mA
Operating free-air temperature, T_A	0		70	$^{\circ}$ C

electrical characteristics over recommended ranges of common-mode input voltage, supply voltage, and operating free-air temperature (unless otherwise noted)

PARAMETER	TEST CONDITIONS	MIN	TYP†	MAX	UNIT
V_{TH}	Differential-input high-threshold voltage $V_O = 2.7$ V, $I_O = -0.4$ mA			0.2	V
V_{TL}	Differential-input low-threshold voltage $V_O = 0.5$ V, $I_O = 16$ mA	-0.2‡			V
V_{hys}	Hysteresis§		50		mV
V_{IK}	Enable-input clamp voltage $I_I = -18$ mA			-1.5	V
V_{OH}	High-level output voltage $V_{ID} = 200$ mV, $I_{OH} = -400$ μ A, See Figure 1	2.7			V
V_{OL}	Low-level output voltage $V_{ID} = -200$ mV, See Figure 1			$I_{OL} = 8$ mA	0.45
				$I_{OL} = 16$ mA	0.5
I_{OZ}	High-impedance-state output current $V_O = 0.4$ V to 2.4 V			± 20	μ A
I_I	Line input current Other input at 0 V, See Note 4			$V_I = 12$ V	1
				$V_I = -7$ V	-0.8
I_{IH}	High-level enable-input current $V_{IH} = 2.7$ V			20	μ A
I_{IL}	Low-level enable-input current $V_{IL} = 0.4$ V			-100	μ A
r_i	Input resistance		12		k Ω
I_{OS}	Short-circuit output current¶	-15		-85	mA
I_{CC}	Supply current Outputs disabled			70	mA

† All typical values are at $V_{CC} = 5$ V, $T_A = 25^{\circ}$ C.

‡ The algebraic convention, in which the less positive (more negative) limit is designated as minimum, is used in this data sheet for threshold voltage levels only.

§ Hysteresis is the difference between the positive-going input threshold voltage, V_{T+} , and the negative-going input threshold voltage, V_{T-} . See Figure 4.

¶ Not more than one output should be shorted at a time and the duration of the short circuit should not exceed one second.

NOTE 4: Refer to EIA standards RS-422-A, RS-423-A, and RS-485 for exact conditions.

switching characteristics, $V_{CC} = 5$ V, $T_A = 25^{\circ}$ C

PARAMETER	TEST CONDITIONS	MIN.	TYP	MAX	UNIT
t_{PLH}	Propagation delay time, low-to-high-level output $C_L = 15$ pF, See Figure 2		22	35	ns
t_{PHL}	Propagation delay time, high-to-low-level output		25	35	ns
t_{PZH}	Output enable time to high level $C_L = 15$ pF, See Figure 3		13	30	ns
t_{PZL}	Output enable time to low level		19	30	ns
t_{PHZ}	Output disable time from high level $C_L = 15$ pF, See Figure 3		26	35	ns
t_{PLZ}	Output disable time from low level		25	35	ns

**SN75175
QUADRUPLE DIFFERENTIAL LINE RECEIVER**

PARAMETER MEASUREMENT INFORMATION

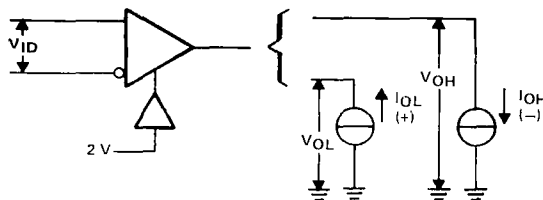
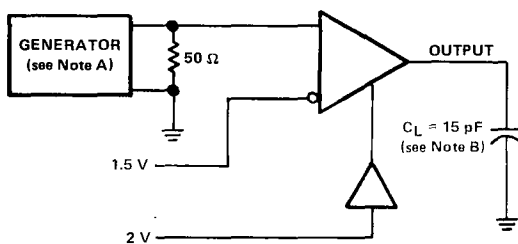
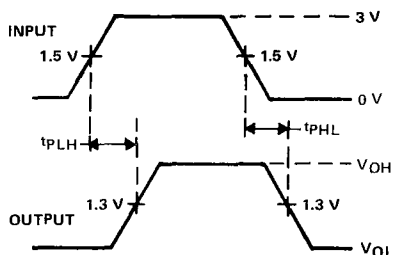


FIGURE 1. V_{OH} , V_{OL}



TEST CIRCUIT

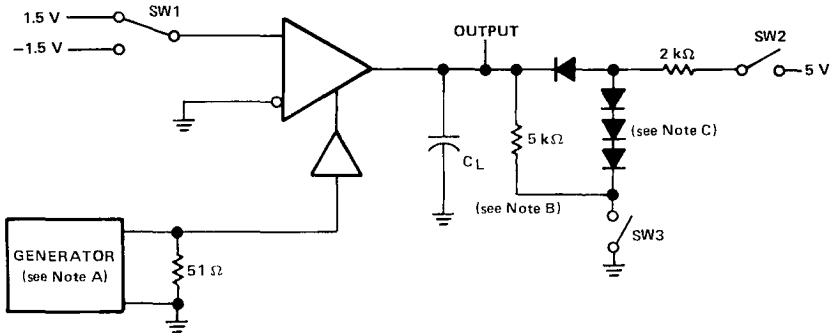


VOLTAGE WAVEFORMS

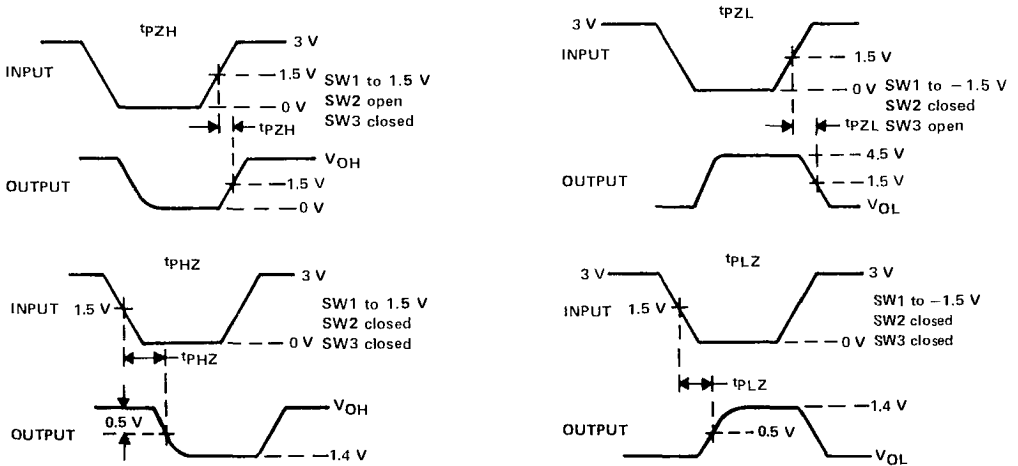
FIGURE 2. PROPAGATION DELAY TIMES

NOTES: A. The input pulse is supplied by a generator having the following characteristics: PRR \leq 1 MHz, duty cycle = 50%, $t_r \leq$ 6 ns, $t_f \leq$ 6 ns, $Z_{out} = 50 \Omega$
 B. C_L includes probe and stray capacitance

PARAMETER MEASUREMENT INFORMATION



TEST CIRCUIT



VOLTAGE WAVEFORMS

FIGURE 3. ENABLE AND DISABLE TIMES

- NOTES: A. The input pulse is supplied by a generator having the following characteristics: PRR \leq 1 MHz, duty cycle = 50%, $t_f \leq$ 6 ns, $t_r \leq$ 6 ns, $Z_{out} = 50 \Omega$.
 B. C_L includes probe and stray capacitance.
 C. All diodes are 1N916 or equivalent.

TYPICAL CHARACTERISTICS

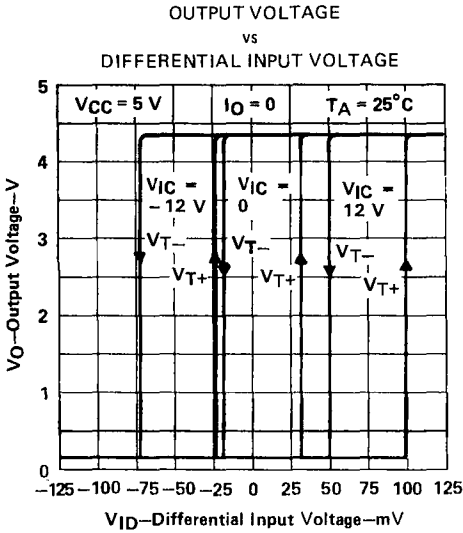


FIGURE 4

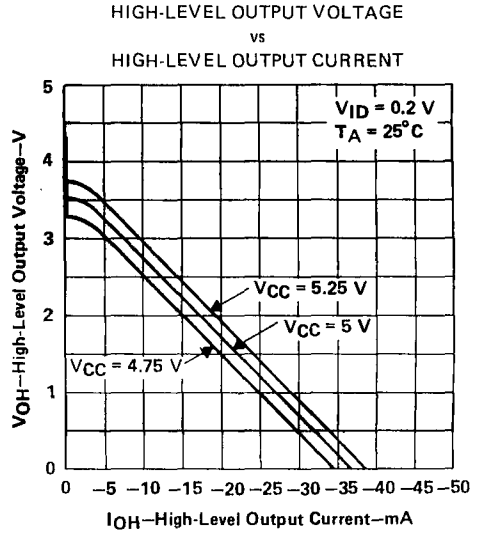


FIGURE 5

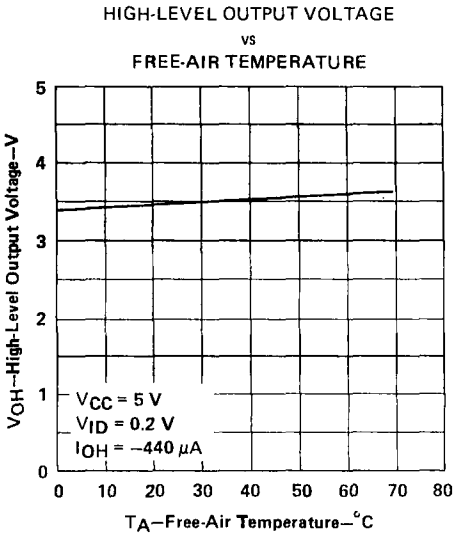


FIGURE 6

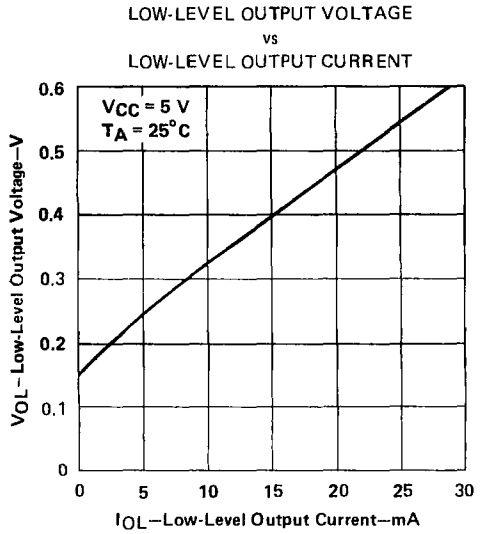


FIGURE 7

TYPICAL CHARACTERISTICS

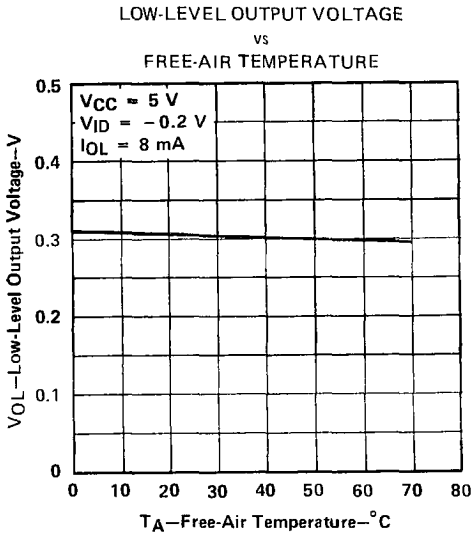


FIGURE 8

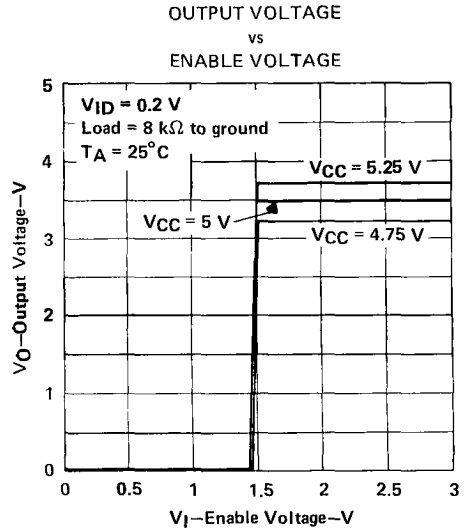


FIGURE 9

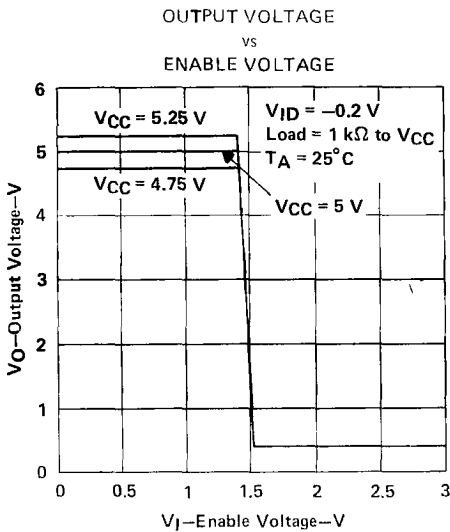


FIGURE 10

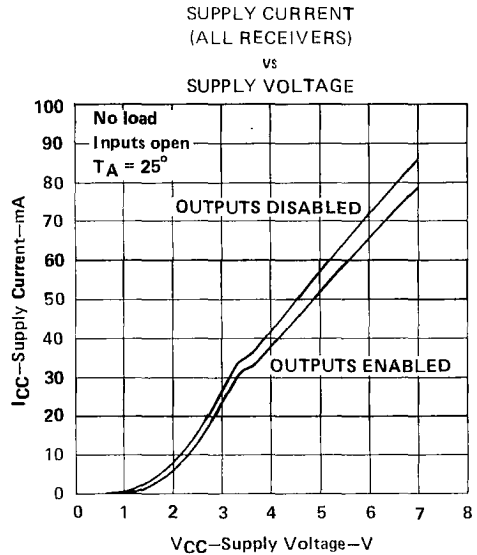


FIGURE 11

SN75175
QUADRUPLE DIFFERENTIAL LINE RECEIVER

TYPICAL CHARACTERISTICS

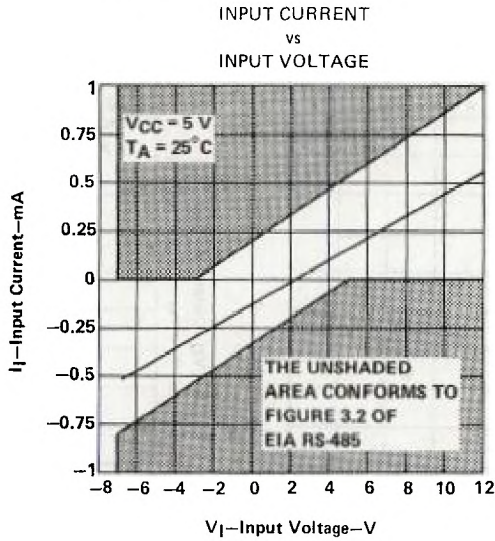


FIGURE 12

TYPICAL APPLICATION

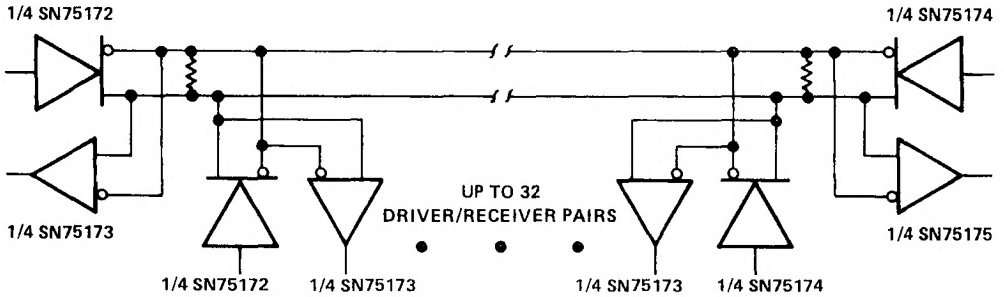


FIGURE 13

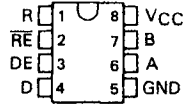
NOTE: The line should be terminated at both ends in its characteristic impedance. Stub lengths off the main line should be kept as short as possible.

SN75176A DIFFERENTIAL BUS TRANSCEIVER

D2619, JUNE 1984—REVISED AUGUST 1989

- Bidirectional Transceiver
- Meets EIA Standards RS-422A and CCITT Recommendations V.11 and X.27
- Designed for Multipoint Transmission on Long Bus Lines in Noisy Environments
- 3-State Driver and Receiver Outputs
- Individual Driver and Receiver Enables
- Wide Positive and Negative Input/Output Bus Voltage Ranges
- Driver Output Capability. . . ± 60 mA Max
- Thermal Shutdown Protection
- Driver Positive and Negative Current Limiting
- Receiver Input Impedance . . . $12\text{ k}\Omega$ Min
- Receiver Input Sensitivity . . . ± 200 mV
- Receiver Input Hysteresis . . . 50 mV Typ
- Operates from Single 5-V Supply
- Low Power Requirements

D OR P
DUAL-IN-LINE PACKAGE
(TOP VIEW)



FUNCTION TABLE (DRIVER)

INPUT D	ENABLE DE	OUTPUTS	
		A	B
H	H	H	L
L	H	L	H
X	L	Z	Z

FUNCTION TABLE (RECEIVER)

DIFFERENTIAL INPUTS A - B	ENABLE RE	OUTPUT
		R
$V_{ID} > 0.2\text{ V}$	L	H
$-0.2\text{ V} < V_{ID} < 0.2\text{ V}$	L	?
$V_{ID} < -0.2\text{ V}$	L	L
X	H	Z

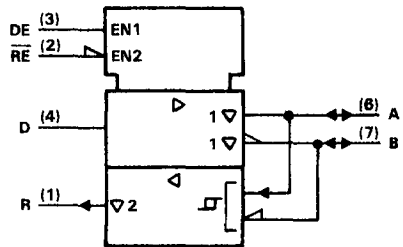
H = high level, L = low level, ? = indeterminate,
X = irrelevant, Z = high impedance (off)

description

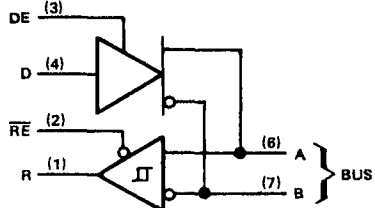
The SN75176A differential bus transceiver is a monolithic integrated circuit designed for bidirectional data communication on multipoint bus transmission lines. It is designed for balanced transmission lines and meets EIA Standard RS-422A and CCITT Recommendations V.11 and X.27.

The SN75176A combines a 3-state differential line driver and a differential-input line receiver both of which operate from a single 5-V power supply. The driver and receiver have active-high and active-low enables, respectively, that can be externally connected together to function as direction control. The driver differential outputs and the receiver differential inputs are connected internally to form differential input/output (I/O) bus ports that are designed to offer minimum loading to the bus whenever the driver is disabled or $V_{CC} \approx 0$. These ports feature wide positive and negative common-mode voltage ranges making the device suitable for party-line applications.

logic symbol



logic diagram (positive logic)



PRODUCTION DATA documents contain information current as of publication date. Products conform to specifications per the terms of Texas Instruments standard warranty. Production processing does not necessarily include testing of all parameters.

**TEXAS
INSTRUMENTS**

POST OFFICE BOX 655303 • DALLAS, TEXAS 75265

Copyright © 1989, Texas Instruments Incorporated

2-577

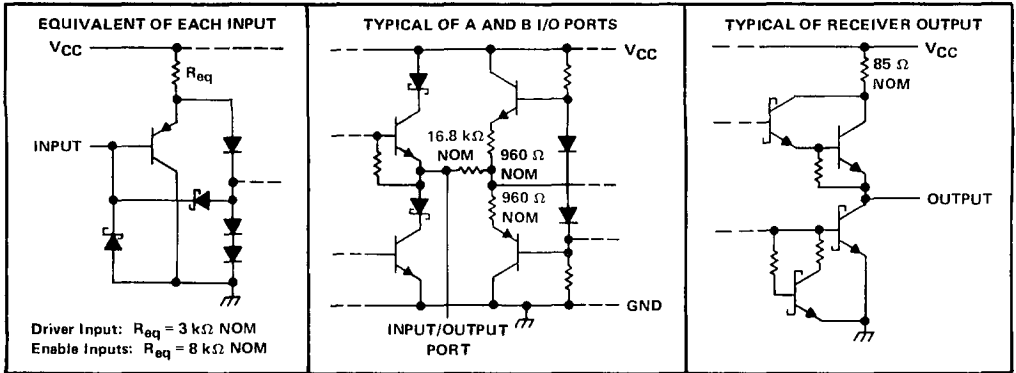
SN75176A DIFFERENTIAL BUS TRANSCEIVER

description (continued)

The driver is designed to handle loads up to 60 mA of sink or source current. The driver features positive- and negative-current limiting and thermal shutdown for protection from line fault conditions. Thermal shutdown is designed to occur at a junction temperature of approximately 150°C. The receiver features a minimum input impedance of 12 kΩ, input sensitivity of ±200 mV, and a typical input hysteresis of 50 mV.

The SN75176A can be used in transmission line applications employing the SN75172 and SN75174 quadruple differential line drivers and the SN75173 and SN75175 quadruple differential line receivers.

schematics of inputs and outputs



absolute maximum ratings over operating free-air temperature range (unless otherwise noted)

Supply voltage, V_{CC} (see Note 1)	7 V
Voltage at any bus terminal	-10 V to 15 V
Enable input voltage	5.5 V
Continuous total dissipation at (or below) 25 °C free-air temperature (see Note 2):	
D package	725 mW
P package	1000 mW
Operating free-air temperature range	0 °C to 70 °C
Storage temperature range	-65 °C to 150 °C
Lead temperature 1,6 mm (1/16 inch) from case for 10 seconds	260 °C

- NOTES: 1. All voltage values, except differential input/output bus voltage, are with respect to network ground terminal.
 2. For operation above 25 °C free-air temperature, derate the D package to 464 mW at 70 °C at the rate of 5.8 mW/°C and derate the P package to 640 mW at 70 °C at the rate of 8.0 mW/°C.

recommended operating conditions

		MIN	NOM	MAX	UNIT
Supply voltage, V_{CC}		4.75	5	5.25	V
Voltage at any bus terminal (separately or common-mode), V_I or V_{IC}		-7		12	V
High-level input voltage, V_{IH}	D, DE, and RE	2			V
Low-level input voltage, V_{IL}	D, DE, and RE			0.8	V
Differential input voltage, V_{ID} (see Note 3)				±12	V
High-level output current, I_{OH}	Driver			-60	mA
	Receiver			-400	µA
Low-level output current, I_{OL}	Driver			60	mA
	Receiver			8	
Operating free-air temperature, T_A		0		70	°C

NOTE 3: Differential-input/output bus voltage is measured at the noninverting terminal A with respect to the inverting terminal B.

SN75176A
DIFFERENTIAL BUS TRANSCEIVER

DRIVER SECTION

driver electrical characteristics over recommended ranges of supply voltage and operating free-air temperature (unless otherwise noted).

PARAMETER		TEST CONDITIONS		MIN	TYP†	MAX	UNIT
V _{IK}	Input clamp voltage	I _I = -18 mA				-1.5	V
V _{OH}	High-level output voltage	V _{IH} = 2 V, I _{OH} = -33 mA	V _{IL} = 0.8 V,		3.7		V
V _{OL}	Low-level output voltage	V _{IH} = 2 V, I _{OL} = 33 mA	V _{IL} = 0.8 V,		1.1		V
V _{OD1}	Differential output voltage	I _O = 0				2 V _{OD2}	V
V _{OD2}	Differential output voltage	R _L = 100 Ω,	See Figure 1	2	2.7		V
		R _L = 54 Ω,	See Figure 1	1.5	2.4		
Δ V _{OD}	Change in magnitude of differential output voltage‡					±0.2	V
V _{OC}	Common-mode output voltage§	R _L = 54 Ω or 100 Ω,	See Figure 1			3	V
Δ V _{OC}	Change in magnitude of common-mode output voltage‡					±0.2	V
I _O	Output current	Output disabled, See Note 4	V _O = 12 V			1	mA
			V _O = -7 V			..	
I _{IH}	High-level input current	V _I = 2.4 V				2	μA
I _{IL}	Low-level input current	V _I = 0.4 V				-400	μA
I _{OS}	Short-circuit output current	V _O = -7 V				-250	mA
		V _O = V _{CC}				250	
		V _O = 12 V					
I _{CC}	Supply current (total package)	No load	Outputs enabled		35	5	mA
			Outputs disabled		28	40	

† All typical values are at V_{CC} = 5 V and T_A = 25°C.

‡ Δ|V_{OD}| and Δ|V_{OC}| are the changes in magnitude of V_{OD} and V_{OC} respectively, that occur when the input is changed from a high level to a low level.

§ In EIA Standard RS-422A, V_{OC}, which is the average of the two output voltages with respect to ground, is called output offset voltage, V_{OS}.

NOTE 4: This applies for both power on and power off. Refer to EIA Standard RS-422A for exact conditions.

driver switching characteristics, V_{CC} = 5 V, T_A = 25°C

PARAMETER		TEST CONDITIONS		MIN	TYP	MAX	UNIT
t _{DD}	rential-output delay time	R _L = 60 Ω,	See Figure 3		40	60	ns
t _{TD}	rential-output transition time				65	95	
t _{PZH}	Output enable time to high level	R _L = 110 Ω,	See Figure 4		55	90	ns
t _{PZL}	Output enable time to low level	R _L = 110 Ω,	See Figure 5		30	50	ns
t _{PHZ}	Output disable time from high level	R _L = 110 Ω,	See Figure 4		85	130	ns
t _{PLZ}	Output disable time from low level	R _L = 110 Ω,	See Figure 5		20	40	ns



RECEIVER SECTION

receiver electrical characteristics over recommended ranges of common-mode input voltage, supply voltage, and operating free-air temperature (unless otherwise noted)

PARAMETER	TEST CONDITIONS	MIN	TYP†	MAX	UNIT	
V_{TH}	Differential-input high-threshold voltage	$V_O = 2.7\text{ V}$,	$I_O = -0.4\text{ mA}$		0.2	V
V_{TL}	Differential-input low-threshold voltage	$V_O = 0.5\text{ V}$,	$I_O = 8\text{ mA}$	-0.2^{\ddagger}		V
$V_{T+} - V_{T-}$	Hysteresis [§]			50		mV
V_{IK}	Enable-input clamp voltage	$I_I = -18\text{ mA}$			-1.5	V
V_{OH}	High-level output voltage	$V_{ID} = -200\text{ mV}$, See Figure 2	$I_{OH} = -400\text{ }\mu\text{A}$,	2.7		V
V_{OL}	Low-level output voltage	$V_{ID} = -200\text{ mV}$, See Figure 2	$I_{OL} = 8\text{ mA}$,		0.45	V
I_{OZ}	High-impedance-state output current	$V_O = 0.4\text{ V to }2.4\text{ V}$			± 20	μA
I_I	Line input current	Other input = 0 V, See Note 4	$V_I = 12\text{ V}$ $V_I = -7\text{ V}$		1 -0.8	mA
I_{IH}	High-level enable-input current	$V_{IH} = 2.7\text{ V}$			20	μA
I_{IL}	Low-level enable-input current	$V_{IL} = 0.4\text{ V}$			-100	μA
r_i	Input resistance			12		k Ω
I_{OS}	Short-circuit output current			-15	-85	mA
I_{CC}	Supply current (total package)	No load	Outputs enabled Outputs disabled	35 26	50 40	mA

†All typical values are at $V_{CC} = 5\text{ V}$, $T_A = 25^\circ\text{C}$.

‡The algebraic convention, where the less-positive (more-negative) limit is designated minimum, is used in this data sheet for common-mode input voltage and threshold voltage levels only.

§Hysteresis is the difference between the positive-going input threshold voltage, V_{T+} , and the negative-going input threshold voltage, V_{T-} . See Figure 4.

NOTE 4: This applies for both power on and power off. Refer to EIA Standard RS-422A for exact conditions.

receiver switching characteristics, $V_{CC} = 5\text{ V}$, $T_A = 25^\circ\text{C}$

PARAMETER	TEST CONDITIONS	MIN	TYP	MAX	UNIT
t_{PLH}	Propagation delay time, low-to-high-level output	$V_{ID} = -1.5\text{ V to }1.5\text{ V}$,	21	35	ns
t_{PHL}	Propagation delay time, high-to-low-level output	$C_L = 15\text{ pF}$, See Figure 6	23	35	ns
t_{pZH}	Output enable time to high level	$C_L = 15\text{ pF}$, See Figure 7	10	30	ns
t_{pZL}	Output enable time to low level		12	30	ns
t_{pHZ}	Output disable time from high level	$C_L = 15\text{ pF}$, See Figure 7	20	35	ns
t_{pLZ}	Output disable time from low level		17	35	ns

PARAMETER MEASUREMENT INFORMATION

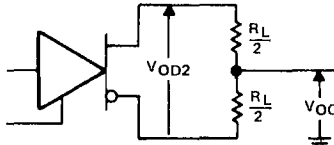


FIGURE 1. DRIVER VOD AND VOC

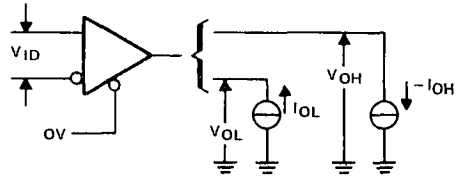
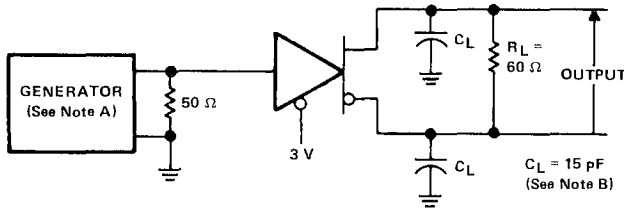
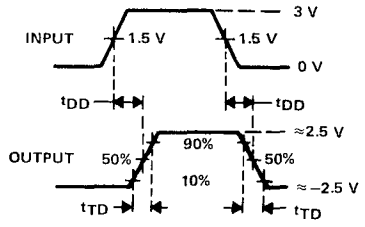


FIGURE 2. RECEIVER VOH AND VOL

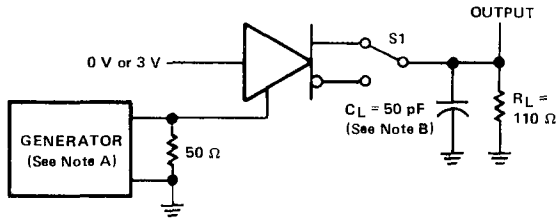


TEST CIRCUIT

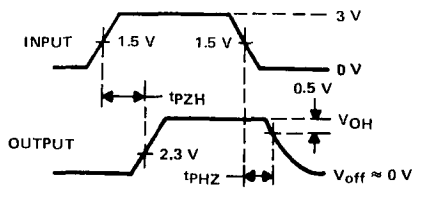


VOLTAGE WAVEFORMS

FIGURE 3. DRIVER DIFFERENTIAL-OUTPUT DELAY AND TRANSITION TIMES

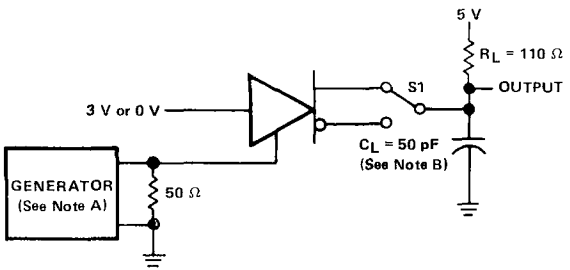


TEST CIRCUIT

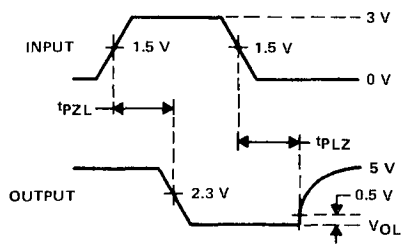


VOLTAGE WAVEFORMS

FIGURE 4. DRIVER ENABLE AND DISABLE TIMES



TEST CIRCUIT



VOLTAGE WAVEFORMS

FIGURE 5. DRIVER ENABLE AND DISABLE TIMES

NOTES: A. The input pulse is supplied by a generator having the following characteristics: PRR = 1 MHz, 50% duty cycle, $t_r \leq 6$ ns, $t_f \leq 6$ ns, $Z_{out} = 50 \Omega$.
 B. C_L includes probe and jig capacitance.

PARAMETER MEASUREMENT INFORMATION

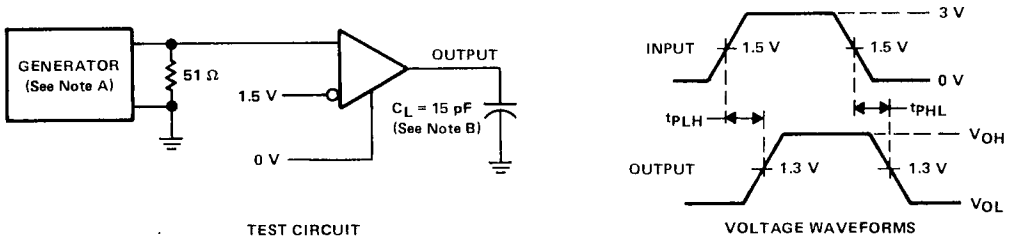


FIGURE 6. RECEIVER PROPAGATION DELAY TIMES

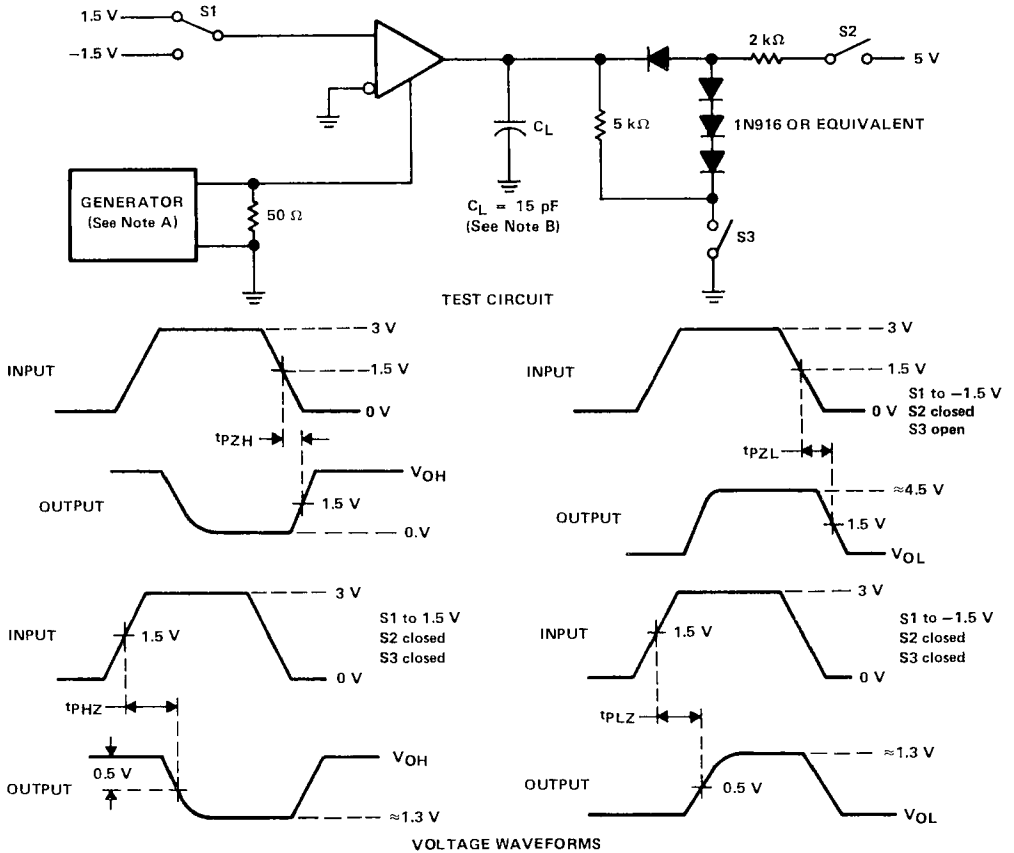


FIGURE 7. RECEIVER OUTPUT ENABLE AND DISABLE TIMES

- NOTES: A. The input pulse is supplied by a generator having the following characteristics: PRR = 1 MHz, 50% duty cycle, $t_r \leq 6$ ns, $t_f \leq 6$ ns, $Z_{OUT} = 50 \Omega$.
B. C_L includes probe and jig capacitance.

TYPICAL CHARACTERISTICS

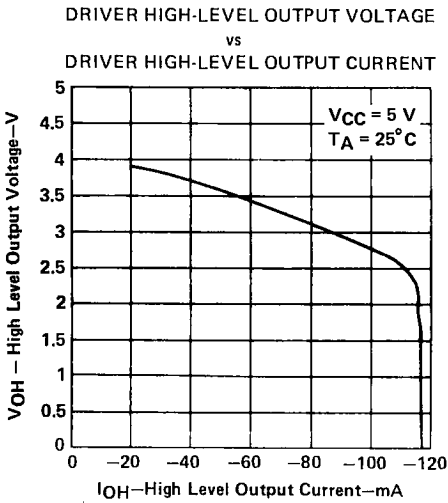


FIGURE 8

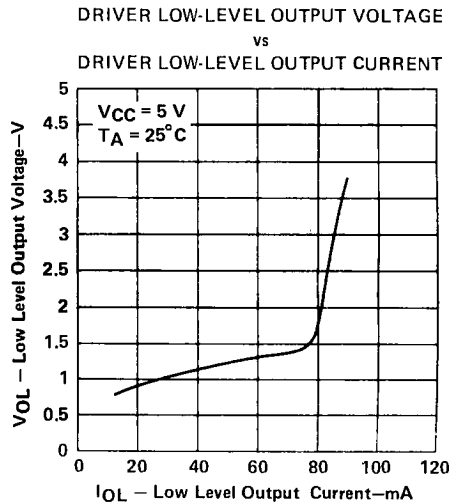


FIGURE 9

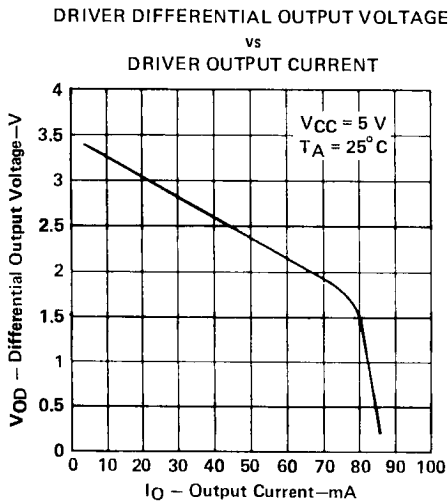


FIGURE 10

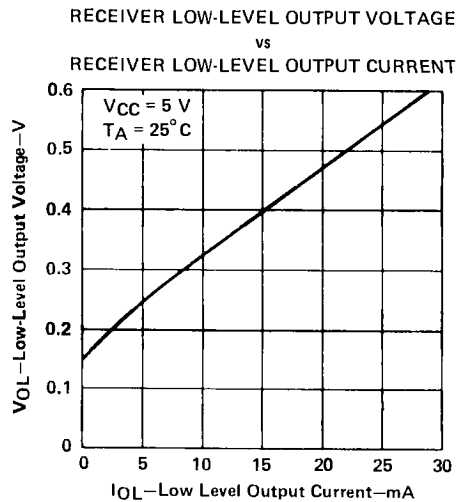


FIGURE 11

TYPICAL CHARACTERISTICS

RECEIVER LOW-LEVEL OUTPUT VOLTAGE
vs
FREE-AIR TEMPERATURE

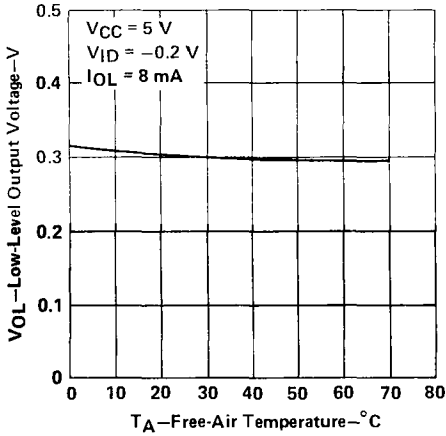


FIGURE 12

RECEIVER OUTPUT VOLTAGE
vs
ENABLE VOLTAGE

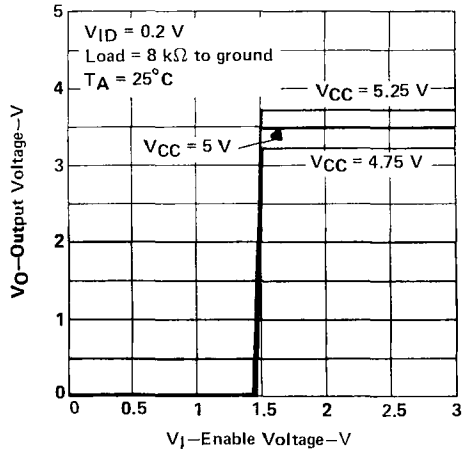


FIGURE 13

RECEIVER OUTPUT VOLTAGE
vs
ENABLE VOLTAGE

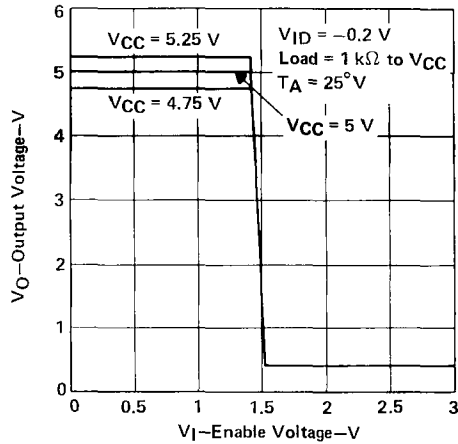
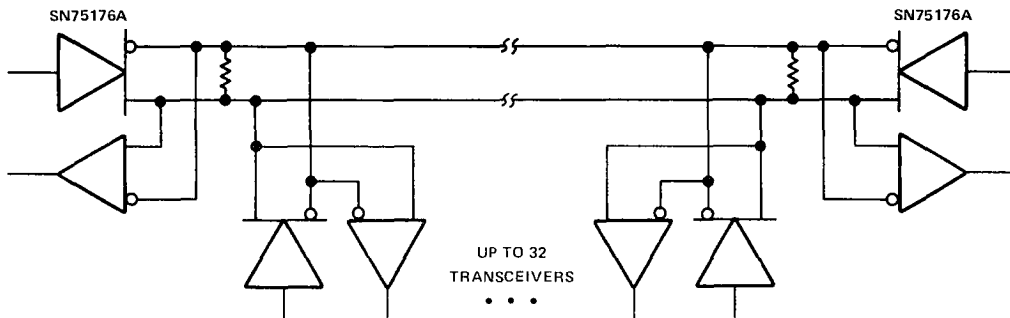


FIGURE 14

SN75176A DIFFERENTIAL BUS TRANSCEIVER

TYPICAL APPLICATION



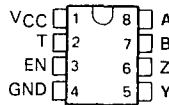
NOTE: The line should be terminated at both ends in its characteristic impedance. Stub lengths off the main line should be kept as short as possible.

SN75177B, SN75178B DIFFERENTIAL BUS REPEATERS

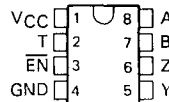
D2606, JULY 1985—REVISED JANUARY 1990

- Meets EIA Standards RS-422-A and RS-485 and CCITT Recommendations V.11 and X.27
- Designed for Multipoint Transmission on Long Bus Lines in Noisy Environments
- 3-State Outputs
- Bus Voltage Range . . . -7 V to 12 V
- Positive and Negative Current Limiting
- Driver Output Capability . . . 60 mA Max
- Driver Thermal Shutdown Protection
- Receiver Input Impedance . . . 12 k Ω Min
- Receiver Input Sensitivity . . . ± 200 mV
- Receiver Input Hysteresis . . . 50 mV Typ
- Operates from Single 5-V Supply
- Low Power Requirements

SN75177B . . . D, JG, OR P PACKAGE
(TOP VIEW)



SN75178B . . . JG OR P PACKAGE
(TOP VIEW)



SN75177B FUNCTION TABLE

DIFFERENTIAL INPUTS A-B	ENABLE EN	OUTPUTS		
		T	Y	Z
$V_{ID} \geq 0.2$ V	H	H	H	L
-0.2 V < V_{ID} < 0.2 V	H	?	?	?
$V_{ID} \leq 0.2$ V	H	L	L	H
X	L	Z	Z	Z

SN75178B FUNCTION TABLE

DIFFERENTIAL INPUTS A-B	ENABLE EN	OUTPUTS		
		T	Y	Z
$V_{ID} \geq 0.2$ V	L	H	H	L
-0.2 V < V_{ID} < 0.2 V	L	?	?	?
$V_{ID} \leq 0.2$ V	L	L	L	H
X	H	Z	Z	Z

H = high level, L = low level, ? = indeterminate,
X = irrelevant, Z = impedance (off)

description

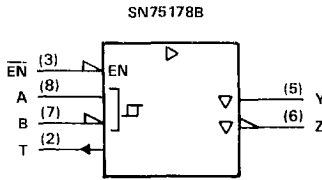
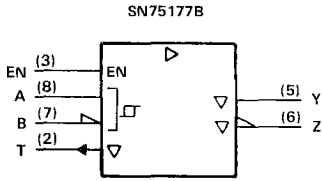
The SN75177B and SN75178B differential bus repeaters are monolithic integrated devices each designed for one-way data communication on multipoint bus transmission lines. These devices are designed for balanced transmission bus line applications and meet EIA Standard RS-422-A and RS-485 and CCITT Recommendations V.11 and X.27. Each device is designed to improve the performance of the data communication over long bus lines. The SN75177B and SN75178B are identical except for the complementary enable inputs, which allow the devices to be used in pairs for bidirectional communication.

The SN75177B and SN75178B feature positive- and negative-current limiting 3-state outputs for the receiver and driver. The receiver features high input impedance, input hysteresis for increased noise immunity, and input sensitivity of ± 200 mV over a common-mode input voltage range of -7 V to 12 V. The driver features thermal shutdown for protection from line fault conditions. Thermal shutdown is designed to occur at a junction temperature of approximately 150°C. The driver is designed to drive current loads up to 60 mA maximum.

The SN75177B and SN75178B are designed for optimum performance when used on transmission buses employing the SN75172 and SN75174 differential line drivers, SN75173 and SN75175 differential line receivers, or SN75176B bus transceiver.

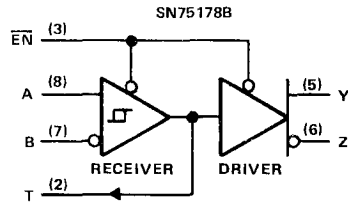
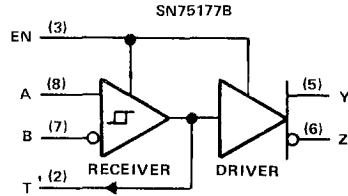
SN75177B, SN75178B DIFFERENTIAL BUS REPEATERS

logic symbols†

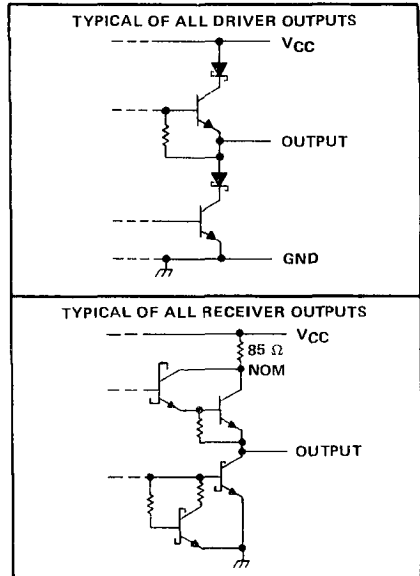
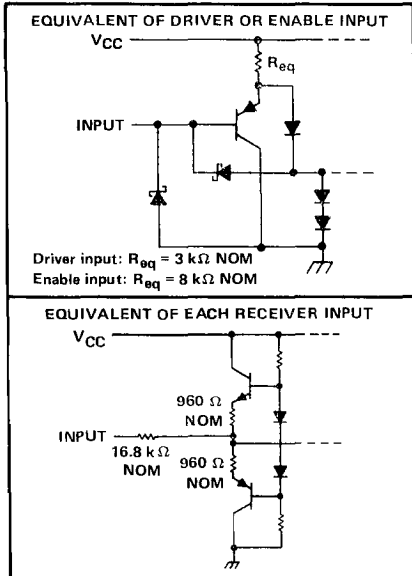


†These symbols are in accordance with ANSI/IEEE Std 91-1984 and IEC Publication 617-12.

logic diagrams (positive logic)



schematics of inputs and outputs



SN75177B, SN75178B DIFFERENTIAL BUS REPEATERS

absolute maximum ratings over operating free-air temperature range (unless otherwise noted)

Supply voltage, V_{CC} (see Note 1)	7 V
Voltage range at any bus terminal	-10 V to 15 V
Differential input voltage (see Note 2)	± 25 V
Enable input voltage	5.5 V
Continuous total dissipation at (or below) 25°C free-air temperature (see Note 3):	
D package	725 mW
JG package	825 mW
P package	1000 mW
Operating free-air temperature range	0°C to 70°C
Storage temperature range	-65°C to 150°C
Lead temperature 1,6 mm (1/16 inch) from case for 10 seconds: D or P package	260°C
Lead temperature 1,6 mm (1/16 inch) from case for 60 seconds: JG package	300°C

- NOTES: 1. All voltage values, except differential input voltage, are with respect to network ground terminal.
 2. Differential input voltage is measured at the noninverting input with respect to the corresponding inverting input.
 3. For operation above 25°C free-air temperature, derate the D package to 464 mW at 70°C at the rate of 5.8 mW/°C, the JG package to 528 mW at 70°C at the rate of 6.6 mW/°C and the P package to 640 mW at 70°C at the rate of 8.0 mW/°C. In the JG package, SN75177B and SN75178B chips are glass mounted.

recommended operating conditions

		MIN	NOM	MAX	UNIT
Supply voltage, V_{CC}		4.75	5	5.25	V
High-level input voltage, V_{IH}	EN or \overline{EN}	2			V
Low-level input voltage, V_{IL}	EN or \overline{EN}			0.8	V
Common-mode input voltage, V_{IC}		-7 [†]		12	V
Differential input voltage, V_{ID}				± 12	V
High-level output current, I_{OH}	Driver			-60	mA
	Receiver			-400	μ A
Low-level output current, I_{OL}	Driver			60	mA
	Receiver			8	
Operating free-air temperature, T_A		0		70	°C

[†]The algebraic convention, where the less-positive (more-negative) limit is designated minimum, is used in this data sheet for common-mode input voltage and threshold voltage.

SN75177B, SN75178B

DIFFERENTIAL BUS REPEATERS

DRIVER SECTION

driver electrical characteristics over recommended ranges of supply voltage and operating free-air temperature (unless otherwise noted)

PARAMETER	TEST CONDITIONS	MIN	TYP†	MAX	UNIT
V_{IK} Input clamp voltage	$I_I = -18 \text{ mA}$			-1.5	V
V_O Output voltage	$I_O = 0$	0		6	V
$ V_{OD1} $ Differential output voltage	$I_O = 0$	1.5		6	V
$ V_{OD2} $ Differential output voltage	$R_L = 100 \Omega$, See Figure 1	$\frac{1}{2}V_{OD1}$			V
		2			
$ V_{OD3} $ Differential output voltage	$R_L = 54 \Omega$, See Figure 1	1.5	2.5	5	V
	See Note 4	1.5		5	V
$\Delta V_{OD} $ Change in magnitude of differential output voltage‡	$R_L = 54 \Omega$ or 100Ω , See Figure 1			± 0.2	V
V_{OC} Common-mode output voltage				3 -1	V
$\Delta V_{OC} $ Change in magnitude of common-mode output voltage‡				± 0.2	V
I_O Output current	$V_{CC} = 0$, $V_O = -7 \text{ V}$ to 12 V			± 100	μA
I_{OZ} High-impedance-stage output current	$V_O = -7 \text{ V}$ to 12 V			± 100	μA
I_{IH} High-level input current	$V_I = 2.4 \text{ V}$			20	μA
I_{IL} Low-level input current	$V_I = 0.4 \text{ V}$			-400	μA
I_{OS} Short-circuit output current	$V_O = -7 \text{ V}$			-250	mA
	$V_O = V_{CC}$...	
I_{CC} Supply current (total package)	No load	Outputs enabled	57	70	mA
		Outputs disabled	26	35	

† All typical values are at $V_{CC} = 5 \text{ V}$ and $T_A = 25^\circ\text{C}$.

‡ $\Delta|V_{OD}|$ and $\Delta|V_{OC}|$ are the changes in magnitude of V_{OD} and V_{OC} , respectively, that occur when the input is changed from a high level to a low level.

NOTE 4: See EIA Standard RS-485 from Figure 3.5, Test Termination Measurement 2.

driver switching characteristics, $V_{CC} = 5 \text{ V}$, $T_A = 25^\circ\text{C}$

PARAMETER	TEST CONDITIONS	MIN	TYP	MAX	UNIT
t_{DD} Differential-output delay time	$R_L = 54 \Omega$, See Figure 3		15	22	ns
t_{TD} Differential-output transition time			20	30	ns
t_{PZH} Output enable time to high level	$R_L = 110 \Omega$, See Figure 4		85	120	ns
t_{PZL} Output enable time to low level	$R_L = 110 \Omega$, See Figure 5		40	60	ns
t_{PHZ} Output disable time from high level	$R_L = 110 \Omega$, See Figure 4		150	250	ns
t_{PLZ} Output disable time from low level	$R_L = 110 \Omega$, See Figure 5		20	30	ns



SYMBOL EQUIVALENTS

DATA SHEET PARAMETER	RS-422-A	RS-485
V_O	V_{Oa}, V_{Ob}	V_{Oa}, V_{Ob}
$ V_{OD1} $	V_O	V_O
$ V_{OD2} $	$V_t (R_L = 100 \Omega)$	$V_t (R_L = 54 \Omega)$
$ V_{OD3} $		V_t (Test termination Measurement 2)
$\Delta V_{OD} $	$ V_t - V_t $	$ V_t - V_t $
V_{OC}	$ V_{Os} $	$ V_{Os} $
$\Delta V_{OC} $	$ V_{Os} - V_{Os} $	$ V_{Os} - V_{Os} $
I_{OS}	$ I_{sa} , I_{sb} $	
I_O	$ I_{xa} , I_{xb} $	I_a, I_b

RECEIVER SECTION

receiver electrical characteristics over recommended ranges of common-mode input voltage, supply voltage, and operating free-air temperature (unless otherwise noted)

PARAMETER	TEST CONDITIONS	MIN	TYP [†]	MAX	UNIT	
V_{TH} Enable-input high-threshold voltage	$V_O = 2.7 \text{ V}, I_O = -0.4 \text{ mA}$			0.2	V	
V_{TL} Enable-input low-threshold voltage	$V_O = 0.5 \text{ V}, I_O = 8 \text{ mA}$	-0.2^{\ddagger}			V	
V_{hys} Hysteresis [§]			50		mV	
V_{IK} Enable-input clamp voltage	$I_I = -18 \text{ mA}$			-1.5	V	
V_{OH} High-level output voltage	$V_{ID} = 200 \text{ mV}, I_{OH} = -400 \mu\text{A},$ See Figure 2		2.7		V	
V_{OL} Low-level output voltage	$V_{ID} = -200 \text{ mV}, I_{OL} = 8 \text{ mA},$ See Figure 2			0.45	V	
I_{OZ} High-impedance-state output current	$V_O = 0.4 \text{ V to } 2.4 \text{ V}$			20 -400	μA	
I_I Line input current	Other input at 0 V, See Note 5		$V_I = 12 \text{ V}$ $V_I = -7 \text{ V}$		1 -0.8	mA
I_{IH} High-level enable-input current	$V_{IH} = 2.7 \text{ V}$			20	μA	
I_{IL} Low-level enable-input current	$V_{IL} = 0.4 \text{ V}$			-	μA	
r_i Input resistance				12	k Ω	
I_{OS} Short-circuit output current				-15	-85	mA
I_{CC} Supply current (total package)	No load			57 26	70 35	mA
				Outputs enabled		
				Outputs disabled		

[†]All typical values are at $V_{CC} = 5 \text{ V}, T_A = 25^\circ\text{C}$.

[‡]The algebraic convention, where the less-positive (more-negative) limit is designated minimum, is used in this data sheet for common-mode input voltage and threshold voltage levels only.

[§]Hysteresis is the difference between the positive-going input threshold voltage, V_{T+} , and the negative-going input threshold voltage, V_{T-} . See Figure 12.

NOTE 5: Refer to EIA Standard RS-422 for exact conditions.

receiver switching characteristics, $V_{CC} = 5 \text{ V}, T_A = 25^\circ\text{C}$

PARAMETER	TEST CONDITIONS	MIN	TYP	MAX	UNIT
t_{PLH} Propagation delay time, low-to-high-level output	$V_{ID} = -1.5 \text{ V to } 1.5 \text{ V},$		19	35	ns
t_{PHL} Propagation delay time, high-to-low-level output	$C_L = 15 \text{ pF},$ See Figure 6		30	40	ns
t_{PZH} Output enable time to high level	$C_L = 15 \text{ pF},$ See Figure 7		10	20	ns
t_{PZL} Output enable time to low level			12	20	ns
t_{PHZ} Output disable time from high level			25	35	ns
t_{PLZ} Output disable time from low level	$C_L = 15 \text{ pF},$ See Figure 8		17	25	ns

**SN75177B, SN75178B
DIFFERENTIAL BUS REPEATERS**

PARAMETER MEASUREMENT INFORMATION

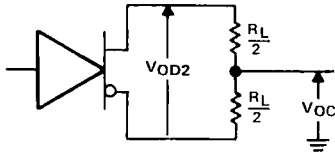


FIGURE 1. DRIVER V_{OD} AND V_{OC}

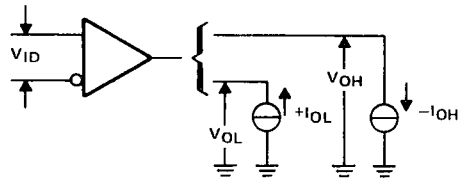
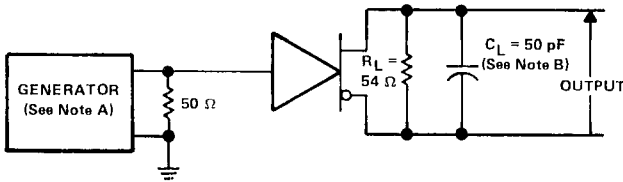


FIGURE 2. RECEIVER V_{OH} AND V_{OL}



TEST CIRCUIT

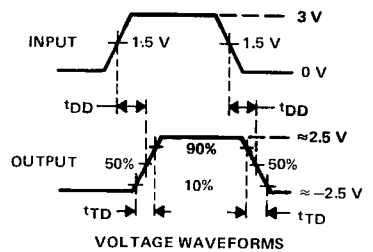
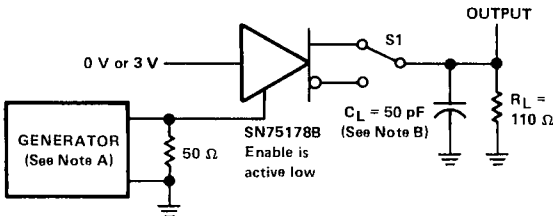
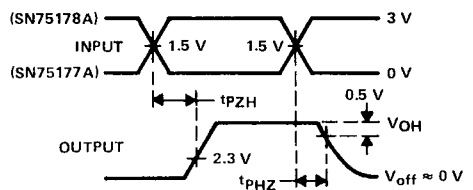


FIGURE 3. DRIVER DIFFERENTIAL-OUTPUT DELAY AND TRANSITION TIMES



TEST CIRCUIT

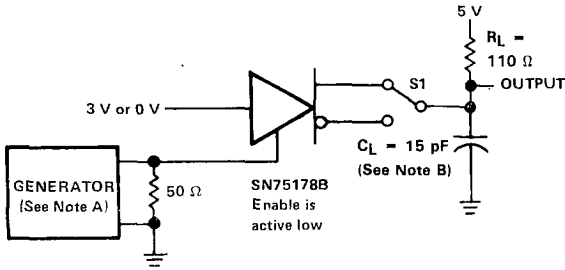


VOLTAGE WAVEFORMS

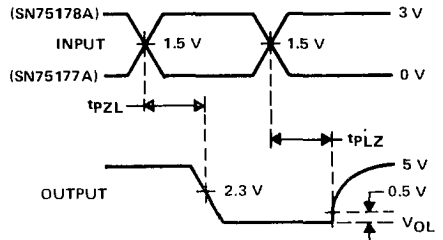
FIGURE 4. DRIVER ENABLE AND DISABLE TIMES (t_{PZH} , t_{PHZ})

NOTES: A. The input pulse is supplied by a generator having the following characteristics: PRR \leq 1 MHz, 50% duty cycle, $t_r \leq$ 6 ns, $t_f \leq$ 6 ns, $Z_{out} = 50 \Omega$.
B. C_L includes probe and jig capacitance.

PARAMETER MEASUREMENT INFORMATION

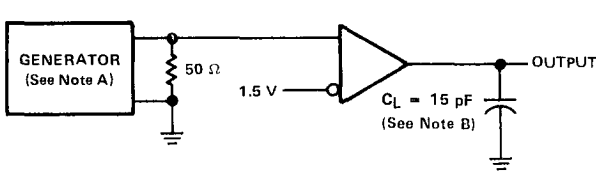


TEST CIRCUIT

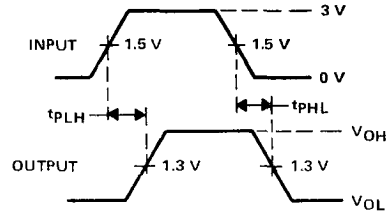


VOLTAGE WAVEFORMS

FIGURE 5. DRIVER ENABLE AND DISABLE TIMES (t_{pZL} , t_{pLZ})



TEST CIRCUIT



VOLTAGE WAVEFORMS

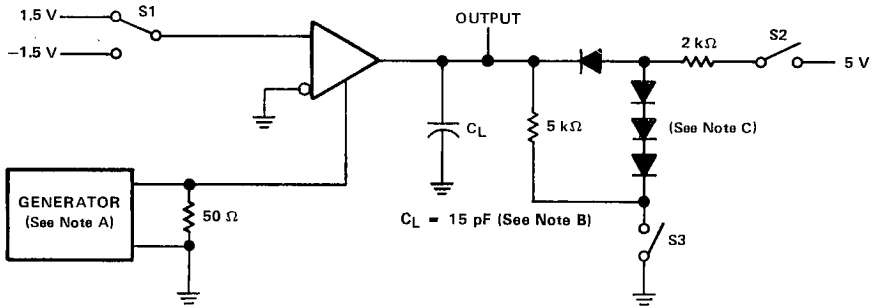
FIGURE 6. RECEIVER PROPAGATION DELAY TIMES

NOTES: A. The input pulse is supplied by a generator having the following characteristics: PRR ≤ 1 MHz, 50% duty cycle, $t_r \leq 6$ ns, $t_f \leq 6$ ns, $Z_{out} = 50 \Omega$.

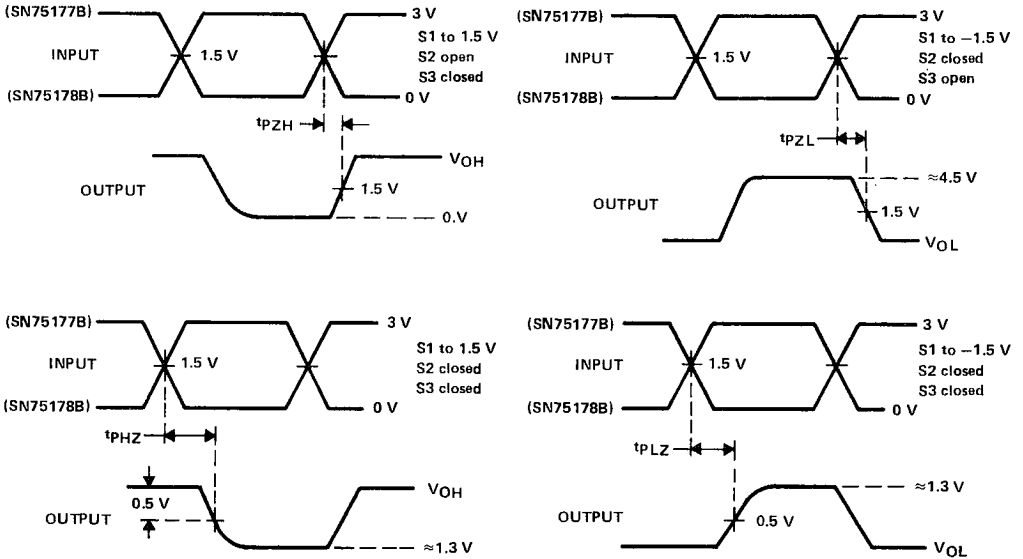
B. C_L includes probe and jig capacitance.

**SN75177B, SN75178B
DIFFERENTIAL BUS REPEATERS**

PARAMETER MEASUREMENT INFORMATION



TEST CIRCUIT



VOLTAGE WAVEFORMS

- NOTES: A. The input pulse is supplied by a generator having the following characteristics: PRR ≤ 1 MHz, duty cycle ≈ 50%, t_r = t_f = 6 ns, Z_o = 50 Ω.
 B. C_L includes probe and jig capacitance.
 C. All diodes are 1N916 or equivalent.

FIGURE 7. RECEIVER ENABLE AND DISABLE TIMES

TYPICAL CHARACTERISTICS

DRIVER HIGH-LEVEL OUTPUT VOLTAGE
vs
HIGH-LEVEL OUTPUT CURRENT

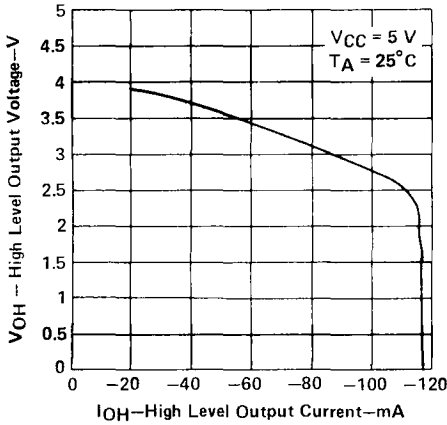


FIGURE 8

DRIVER LOW-LEVEL OUTPUT VOLTAGE
vs
LOW-LEVEL OUTPUT CURRENT

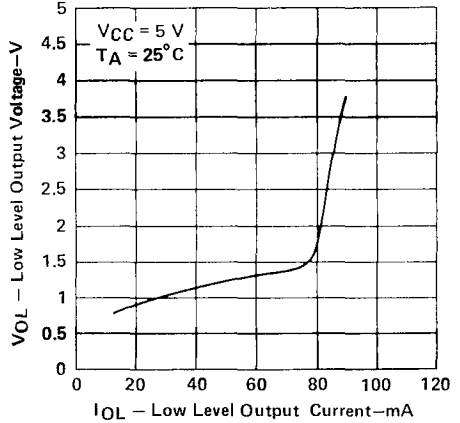


FIGURE 9

DRIVER DIFFERENTIAL OUTPUT VOLTAGE
vs
DRIVER OUTPUT CURRENT

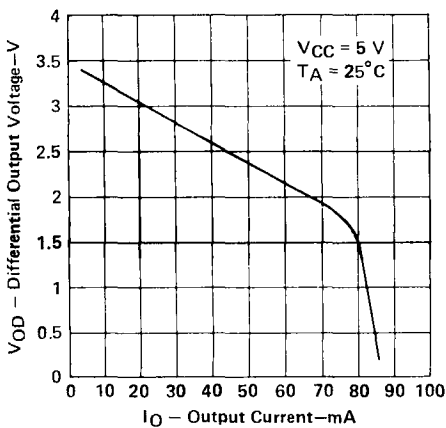


FIGURE 10

RECEIVER OUTPUT VOLTAGE
vs
DIFFERENTIAL INPUT VOLTAGE

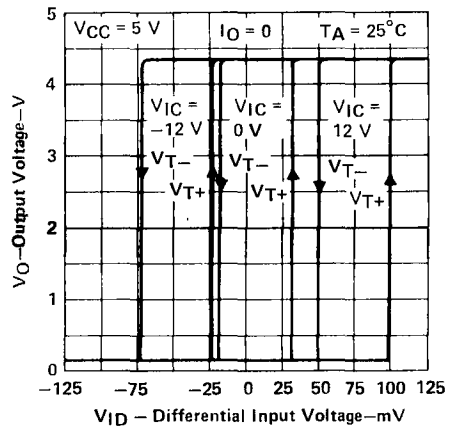


FIGURE 11

TYPICAL CHARACTERISTICS

RECEIVER HIGH-LEVEL OUTPUT VOLTAGE
 vs
 HIGH-LEVEL OUTPUT CURRENT

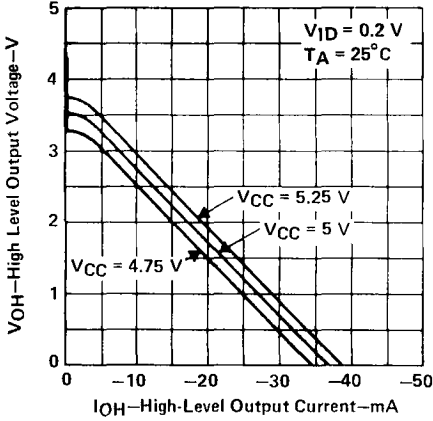


FIGURE 12

RECEIVER HIGH-LEVEL OUTPUT VOLTAGE
 vs
 FREE-AIR TEMPERATURE

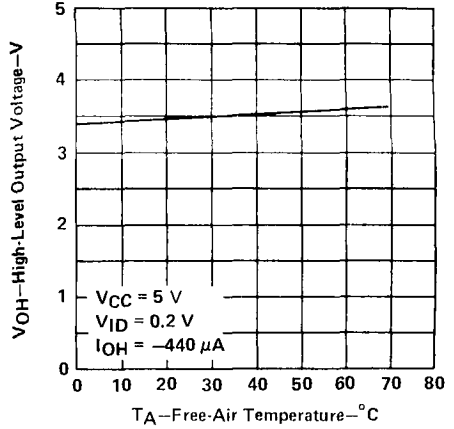


FIGURE 13

RECEIVER LOW-LEVEL OUTPUT VOLTAGE
 vs
 LOW-LEVEL OUTPUT CURRENT

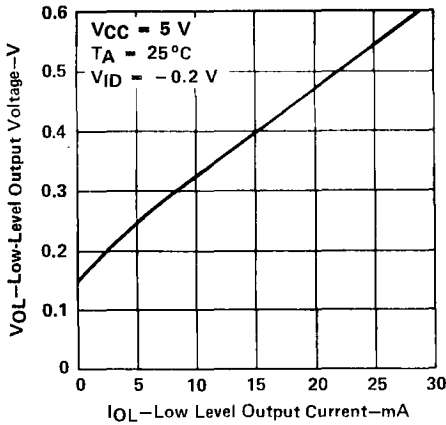


FIGURE 14

RECEIVER LOW-LEVEL OUTPUT VOLTAGE
 vs
 FREE-AIR TEMPERATURE

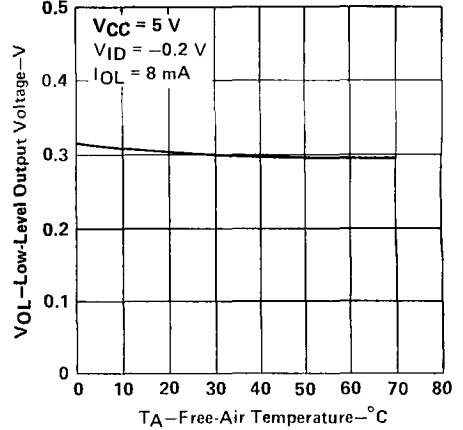
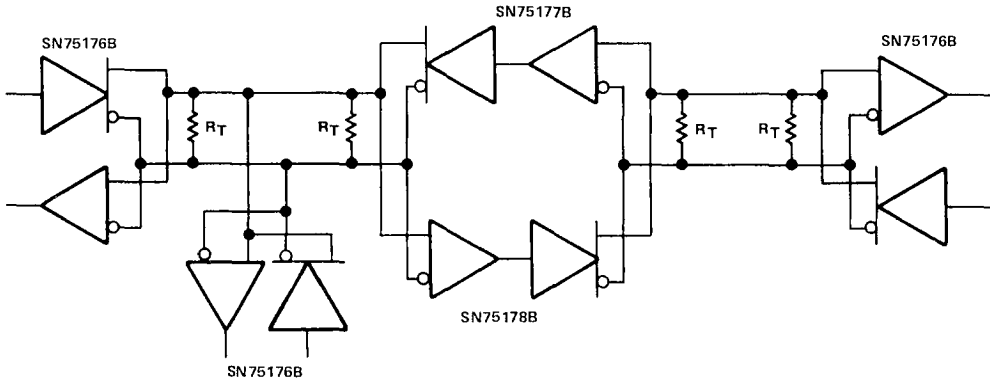


FIGURE 15

APPLICATION INFORMATION



NOTE: The line should be terminated at both ends in its characteristic impedance. Stub lengths off the main line should be kept as short as possible.

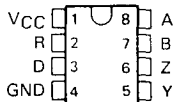
FIGURE 16. TYPICAL APPLICATION CIRCUIT

SN75179B DIFFERENTIAL DRIVER AND RECEIVER PAIR

D2845, OCTOBER 1985—REVISED AUGUST 1989

- Meets EIA Standards RS-422-A and RS-485 and CCITT Recommendations V.11 and X.27
- Bus Voltage Range . . . -7 V to 12 V
- Positive and Negative Current Limiting
- Driver Output Capability . . . 60 mA Max
- Driver Thermal Shutdown Protection
- Receiver Input Impedance . . . 12 k Ω Min
- Receiver Input Sensitivity . . . ± 200 mV
- Receiver Input Hysteresis . . . 50 mV Typ
- Operates from Single 5-V Supply
- Low Power Requirements

D, JG, OR P PACKAGE
(TOP VIEW)



FUNCTION TABLE (DRIVER)

INPUT D	OUTPUTS	
	Y	Z
H	H	L
L	L	H

FUNCTION TABLE (RECEIVER)

DIFFERENTIAL INPUTS A - B	OUTPUT R
$V_{ID} \geq 0.2$ V	H
-0.2 V < V_{ID} < 0.2 V	?
$V_{ID} \leq -0.2$ V	L

H = high level, L = low level, ? = indeterminate

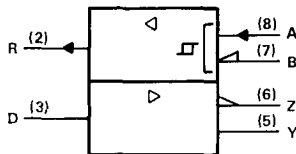
description

The SN75179B driver and bus receiver circuit is a monolithic integrated device designed for balanced transmission line applications and meets EIA Standards RS-422-A and RS-485 and CCITT Recommendations V.11 and X.27. It is designed to improve the performance of full-duplex data communications over long bus lines.

The SN75179B driver outputs provide limiting for both positive and negative currents. The receiver features high input impedance, input hysteresis for increased noise immunity, and input sensitivity of ± 200 mV over a common-mode input voltage range of -12 V to 12 V. The driver provides thermal shutdown for protection from line fault conditions. Thermal shutdown is designed to occur at a junction temperature of approximately 150°C. The device is designed to drive current loads of up to 60 mA maximum.

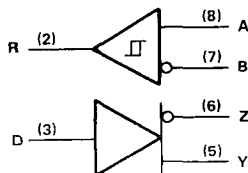
The SN75179B is characterized for operation from 0°C to 70°C.

logic symbol†



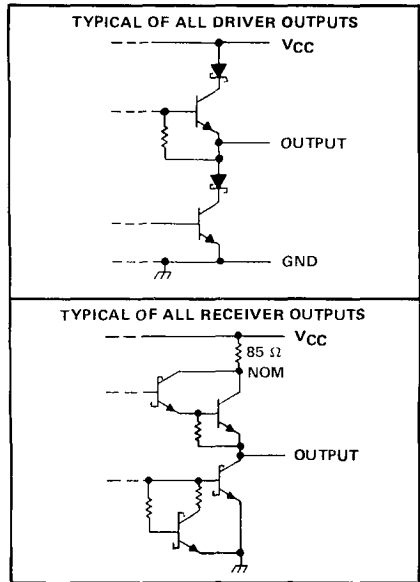
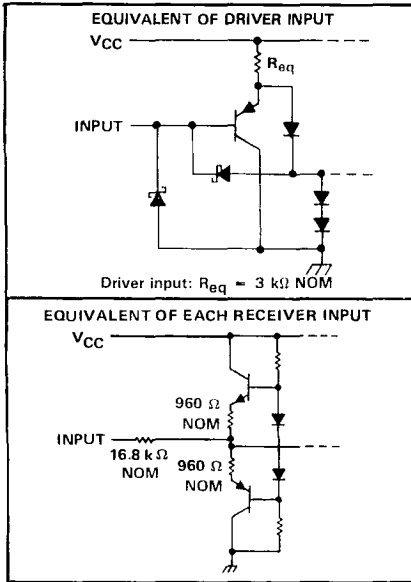
†This symbol is in accordance with ANSI/IEEE Std 91-1984 and IEC Publication 617-12.

logic diagram



SN75179B DIFFERENTIAL DRIVER AND RECEIVER PAIR

schematics of inputs and outputs



absolute maximum ratings over operating free-air temperature range (unless otherwise noted)

Supply voltage, V_{CC} (see Note 1)	7 V
Voltage at any bus terminal	-10 V to 15 V
Differential input voltage (see Note 2)	± 25 V
Continuous total dissipation at (or below 25°C free-air temperature (see Note 3):	
D package	725 mW
JG package	825 mW
P package	1000 mW
Operating free-air temperature range	0°C to 70°C
Storage temperature range	-65°C to 150°C
Lead temperature 1,6 mm (1/16 inch) from case for 10 seconds: D or P package	260°C
Lead temperature 1,6 mm (1/16 inch) from case for 60 seconds: JG package	300°C

- NOTES: 1. All voltage values, except differential input voltage, are with respect to network ground terminal.
 2. Differential-input voltage is measured at the noninverting input with respect to the corresponding inverting input.
 3. For operation above 25°C free-air temperature, derate the D package to 464 mW at 70°C at the rate of 5.8 mW/°C, the JG package to 528 mW at 70°C at the rate of 6.6 mW/°C and the P package to 640 mW at 70°C at the rate of 8.0 mW/°C..
 In the JG package SN75179B, chips are glass mounted.

SN75179B DIFFERENTIAL DRIVER AND RECEIVER PAIR

recommended operating conditions

		MIN	NOM	MAX	UNIT	
Supply voltage, V_{CC}		4.75	5	5.25	V	
High-level input voltage, V_{IH}	Driver	2			V	
Low-level input voltage, V_{IL}	Driver	0.8			V	
Common-mode input voltage, V_{IC}		-7 [†]			V	
Differential input voltage, V_{ID}		±12			V	
High-level output current, I_{OH}	Driver	-60			mA	
	Receiver	-400			µA	
Low-level output current, I_{OL}	Driver	60			mA	
	Receiver	8			mA	
Operating free-air temperature, T_A		0			70	°C

[†] The algebraic convention, where the less-positive (more-negative) limit is designated minimum, is used in this data sheet for common-mode input voltage and threshold voltage.

DRIVER SECTION

driver electrical characteristics over recommended ranges of supply voltage and operating free-air temperature (unless otherwise noted)

PARAMETER	TEST CONDITIONS	MIN	TYP [‡]	MAX	UNIT	
V_{IK}	Input clamp voltage	$I_I = -18 \text{ mA}$		-1.5	V	
V_O	Output voltage	$I_O = 0$		6	V	
$ V_{OD1} $	Differential output voltage	$I_O = 0$		6	V	
$ V_{OD2} $	Differential output voltage	$R_L = 100 \Omega$, See Figure 1	$\frac{1}{2}V_{OD1}$		V	
		$R_L = 54 \Omega$, See Figure 1	1.5	2.5	5	V
$ V_{OD3} $	Differential output voltage	See Note 4		5	V	
$\Delta V_{OD} $	Change in magnitude of differential output voltage [§]			±0.2	V	
V_{OC}	Common-mode output voltage	$R_L = 54 \Omega$ or 100Ω , See Figure 1		+3 -1	V	
$\Delta V_{OC} $	Change in magnitude of common-mode output voltage [§]			±0.2	V	
I_O	Output current	$V_{CC} = 0$, $V_O = -7 \text{ V to } 12 \text{ V}$		±100	µA	
I_{IH}	High-level input current	$V_I = 2.4 \text{ V}$		20	µA	
I_{IL}	Low-level input current	$V_I = 0.4 \text{ V}$		-200	µA	
I_{OS}	Short-circuit output current	$V_O = -7 \text{ V}$		-250	mA	
		$V_O = V_{CC}$ or 12 V		250	mA	
I_{CC}	Supply current (total package)	No load		57	70	mA

[‡]All typical values are at $V_{CC} = 5 \text{ V}$ and $T_A = 25^\circ\text{C}$.

[§] $\Delta|V_{OD}|$ and $\Delta|V_{OC}|$ are the changes in magnitude of V_{OD} and V_{OC} , respectively, that occur when the input is changed from a high level to a low level.

NOTE 4: See EIA Standard RS-485, Figure 3.5, Test Termination Measurement 2.

driver switching characteristics, $V_{CC} = 5 \text{ V}$, $T_A = 25^\circ\text{C}$

PARAMETER	TEST CONDITIONS		MIN	TYP	MAX	UNIT
t_{DD}	$R_L = 54 \Omega$, See Figure 3		15		22	ns
t_{TD}			20		30	ns

**SN75179B
DIFFERENTIAL DRIVER AND RECEIVER PAIR**

SYMBOL EQUIVALENTS

DATA SHEET PARAMETER	RS-422-A	RS-485
V_O	V_{Oa}, V_{Ob}	V_{Oa}, V_{Ob}
$ V_{OD1} $	V_O	V_O
$ V_{OD2} $	$V_t (R_L = 100 \Omega)$	$V_t (R_L = 54 \Omega)$
$ V_{OD3} $		V_t (Test termination Measurement 2)
$\Delta V_{OD} $	$ V_t - \bar{V}_t $	$ V_t - \bar{V}_t $
V_{OC}	$ V_{os} $	$ V_{os} $
$\Delta V_{OC} $	$ V_{os} - \bar{V}_{os} $	$ V_{os} - \bar{V}_{os} $
I_{OS}	$ I_{sa} , I_{sb} $	
I_O	$ I_{xa} , I_{xb} $	I_{ia}, I_{ib}

RECEIVER SECTION

receiver electrical characteristics over recommended ranges of common-mode input voltage, supply voltage, and operating free-air temperature (unless otherwise noted)

PARAMETER		TEST CONDITIONS	MIN	TYP [†]	MAX	UNIT
V_{TH}	rential-input high-threshold voltage	$V_O = 2.7 V, I_O = -0.4 mA$			0.2	V
V_{TL}	rential-input low-threshold voltage	$V_O = 0.5 V, I_O = 8 mA$	-0.2^{\ddagger}			V
V_{hys}	Hysteresis [§]			50		mV
V_{OH}	High-level output voltage	$V_{ID} = 200 mV, I_{OH} = -400 \mu A,$ See Figure 2		2.7		V
V_{OL}	Low-level output voltage	$V_{ID} = -200 mV, I_{OL} = 8 mA,$ See Figure 2			0.45	V
I_I	Line input current	Other input at 0 V, See Note 5		$V_I = 12 V$ $V_I = -7 V$		1 -0.8 mA
r_i	Input resistance			12		kΩ
I_{OS}	Short-circuit output current			-15	-85	mA
I_{CC}	Supply current (total package)	No load		57	70	mA

[†]All typical values are at $V_{CC} = 5 V, T_A = 25^\circ C$.

[‡]The algebraic convention, where the less-positive (more-negative) limit is designated minimum, is used in this data sheet for common-mode input voltage and threshold voltage levels only.

[§]Hysteresis is the difference between the positive-going input threshold voltage, V_{T+} , and the negative-going input threshold voltage, V_{T-} .

NOTE 5: Refer to EIA Standard RS-422-A for exact conditions.

receiver switching characteristics, $V_{CC} = 5 V, T_A = 25^\circ C$

PARAMETER		TEST CONDITIONS	MIN	TYP	MAX	UNIT
t_{PLH}	Propagation delay time, low-to-high-level output	$V_{ID} = -1.5 V$ to $1.5 V,$		19	35	ns
t_{PHL}	Propagation delay time, high-to-low-level output	$C_L = 15 pF,$ See Figure 4		30	40	ns



PARAMETER MEASUREMENT INFORMATION

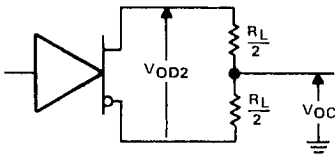


FIGURE 1. DRIVER V_{OD} AND V_{OC}

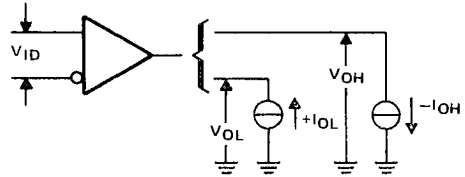


FIGURE 2. RECEIVER V_{OH} AND V_{OL}

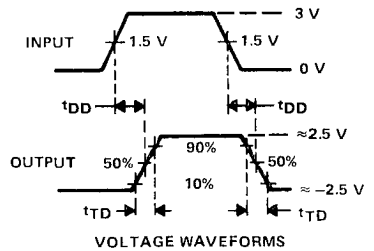
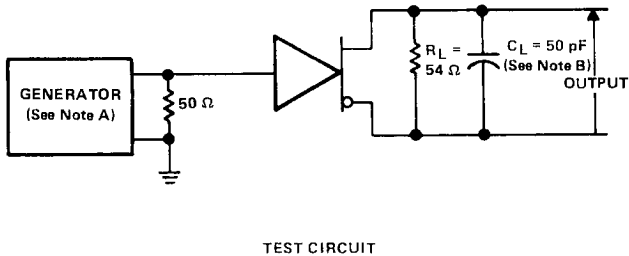


FIGURE 3. DRIVER DIFFERENTIAL-OUTPUT DELAY AND TRANSITION TIMES

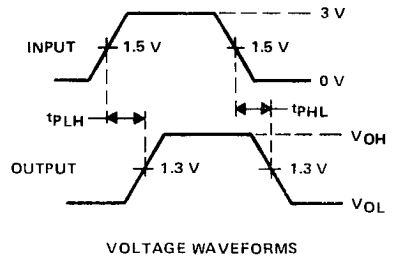
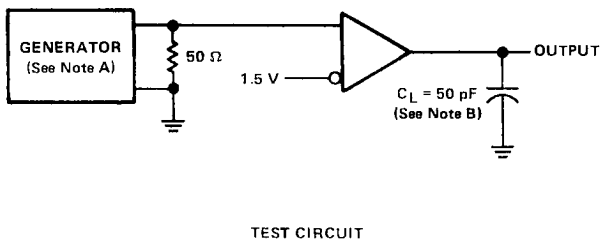


FIGURE 4. RECEIVER PROPAGATION DELAY TIMES

- NOTES: A. The input pulse is supplied by a generator having the following characteristics: PRR \leq 1 MHz, 50% duty cycle, $t_r \leq$ 6 ns, $t_f \leq$ 6 ns, $Z_o = 50 \Omega$.
B. C_L includes probe and jig capacitance.

SN75179B
DIFFERENTIAL DRIVER AND RECEIVER PAIR

TYPICAL CHARACTERISTICS

DRIVER HIGH-LEVEL OUTPUT VOLTAGE
 vs
 HIGH-LEVEL OUTPUT CURRENT

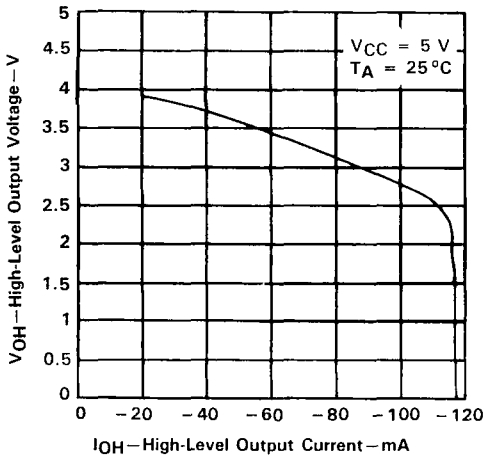


FIGURE 5

DRIVER LOW-LEVEL OUTPUT VOLTAGE
 vs
 LOW-LEVEL OUTPUT CURRENT

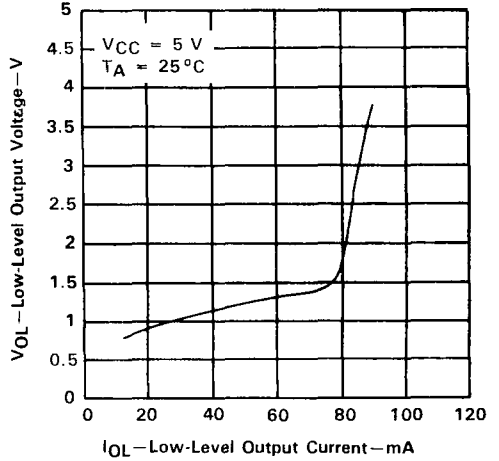


FIGURE 6

DRIVER DIFFERENTIAL OUTPUT VOLTAGE
 vs
 OUTPUT CURRENT

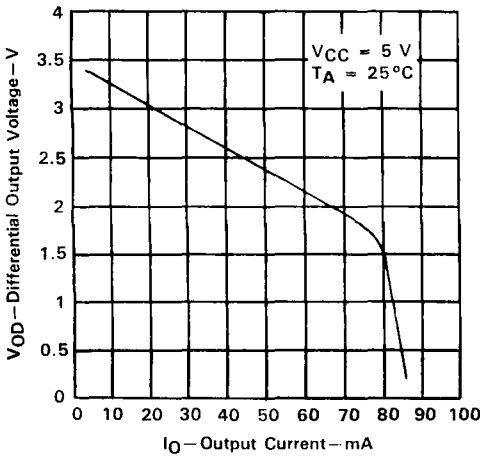


FIGURE 7

RECEIVER OUTPUT VOLTAGE
 vs
 DIFFERENTIAL INPUT VOLTAGE

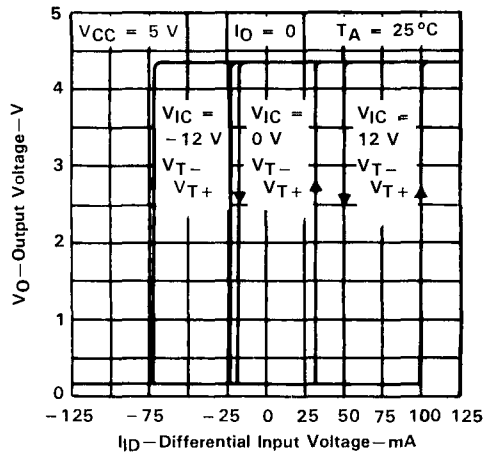


FIGURE 8

TYPICAL CHARACTERISTICS

RECEIVER HIGH-LEVEL OUTPUT VOLTAGE
vs
HIGH-LEVEL OUTPUT CURRENT

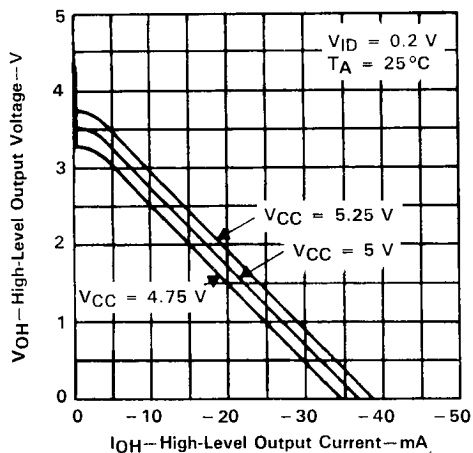


FIGURE 9

RECEIVER HIGH-LEVEL OUTPUT VOLTAGE
vs
FREE-AIR TEMPERATURE

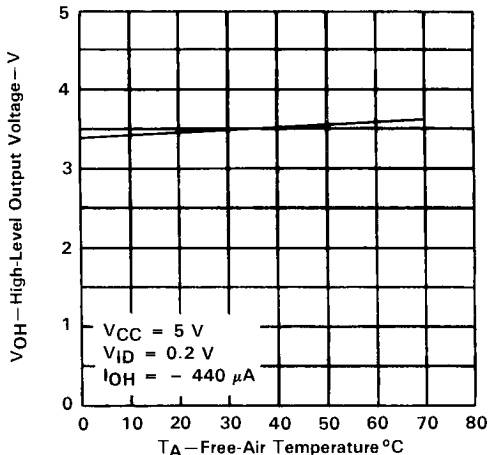


FIGURE 10

RECEIVER LOW-LEVEL OUTPUT VOLTAGE
vs
LOW-LEVEL OUTPUT CURRENT

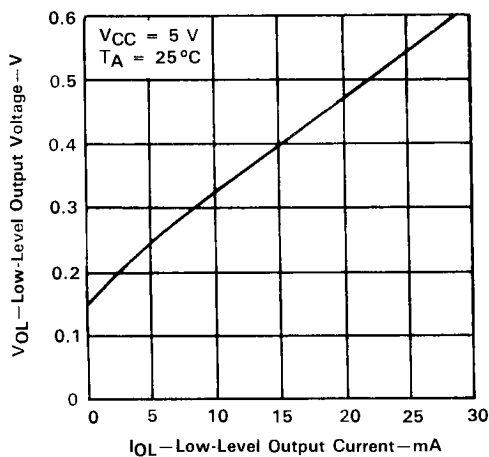


FIGURE 11

RECEIVER LOW-LEVEL OUTPUT VOLTAGE
vs
FREE-AIR TEMPERATURE

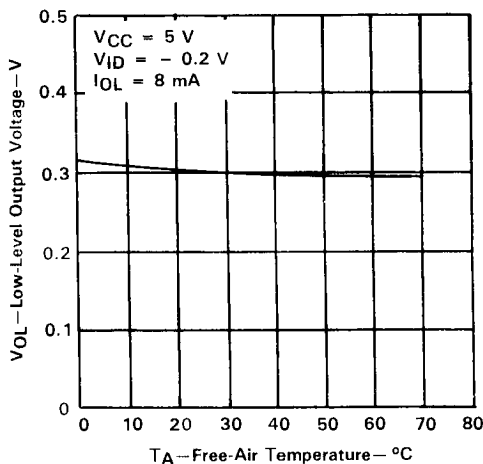
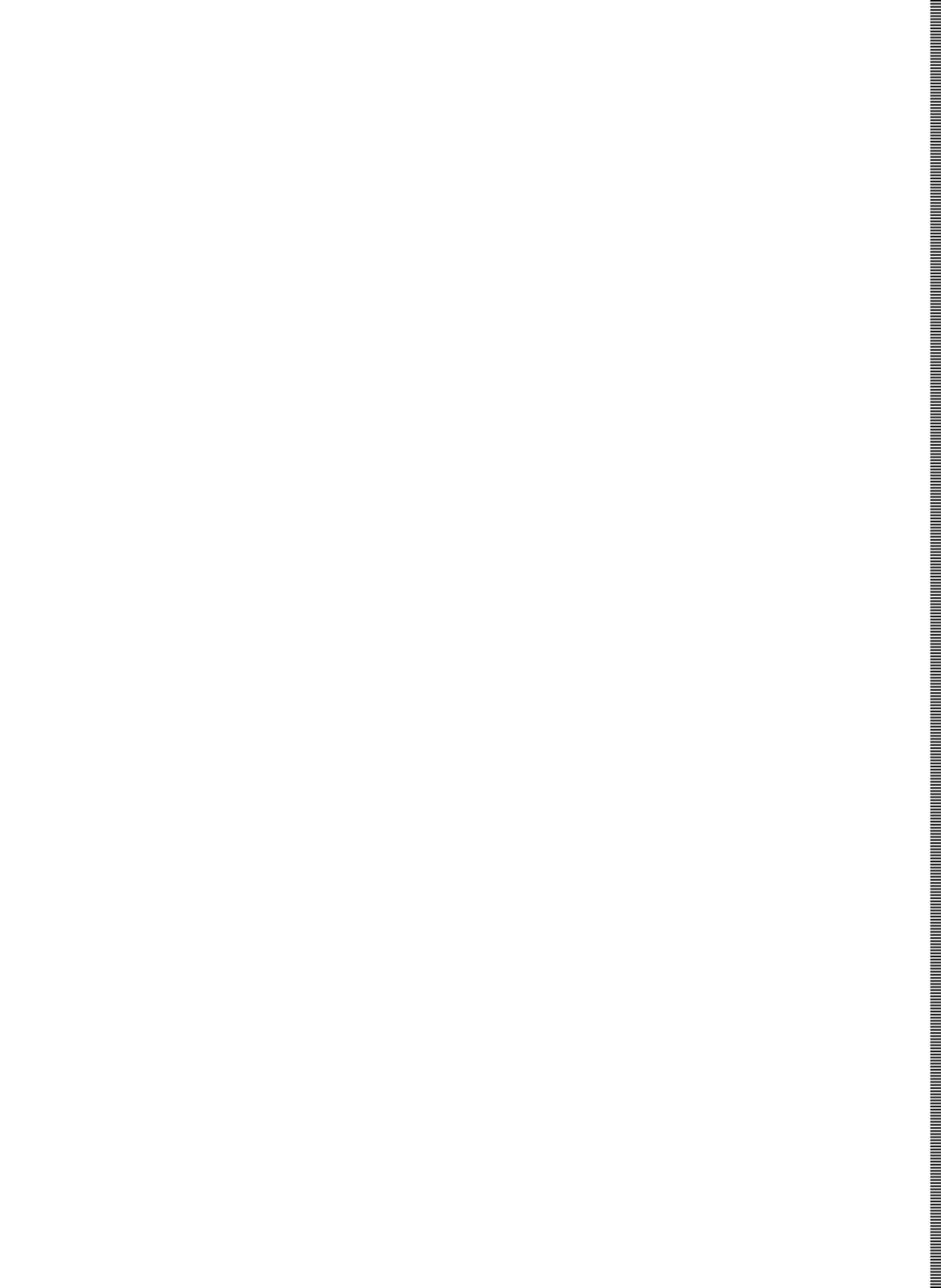


FIGURE 12

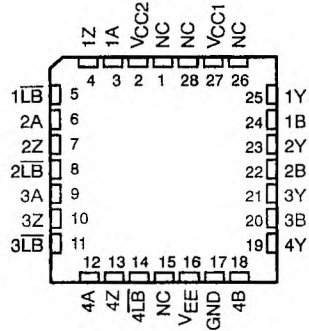


SN75186 QUADRUPLE DRIVER/RECEIVER WITH LOOPBACK

D3389, FEBRUARY 1990

- Meets Standards RS-232-C, EIA-232-D, and CCITT V.28
- Four Independent Drivers and Receivers
- Loopback Mode Functionally Self-Tests Drivers and Receivers Without Disconnection From Line
- Driver Slew Rate Limited to 30 V/μs Max
- Built-in Receiver 1-μs Noise Filter
- Internal Thermal Overload Protection
- EIA-232-D Inputs and Outputs Withstand ± 30V
- Low Supply Current . . . 2.5 mA Typ
- ESD Protection Exceeds 2000 V Per MIL-STD-883C Method 3015

FN PACKAGE
(TOP VIEW)



NC – No internal connection

description

The SN75186 is a low-power bipolar device containing four driver/receiver pairs designed to interface data terminal equipment (DTE) with data circuit-terminating equipment (DCE). Additionally, the SN75186 has a loopback mode that may be used by a data communication system to perform a functional self test on each driver/receiver pair, removing the need to locally disconnect cables and install a loopback connector. Flexibility of control is ensured by each driver/receiver pair having its own loopback control input. The SN75186 is designed to conform to standards RS-232-C, its revision ANSI/EIA-232-D-1986, and CCITT V.28.

The maximum slew rate is limited to 30 V/μs at the driver outputs and drives a capacitive load of 2500 pF at 20 kbaud. The receivers have input filters that disregard input noise pulses shorter than 1 μs. The SN75186 is a robust device capable of withstanding ± 30 V at driver outputs and at receiver inputs whether powered or unpowered. This device has an internal ESD protection rated at 2 kV to prevent functional failures.

The SN75186 is characterized for operation from 0°C to 70°C.

FUNCTION TABLE (EACH RECEIVER)

LOOPBACK LB	INITIALS		OUTPUT Z
	A	B	
H	X	H	L
H	X	L	H
L	L	X	L
L	H	X	H

FUNCTION TABLE (EACH DRIVER)

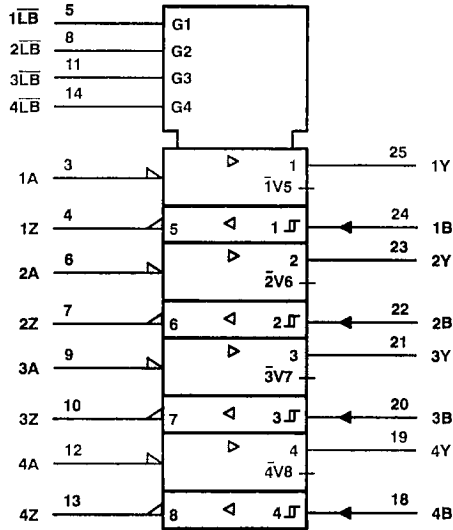
LOOPBACK LB	INPUT A	OUTPUT Y†
H	H	L
H	L	H
L	X	L

† Voltages are RS-232-C, EIA-232-D, and V.28 levels

H = high level, L = low level, X = irrelevant

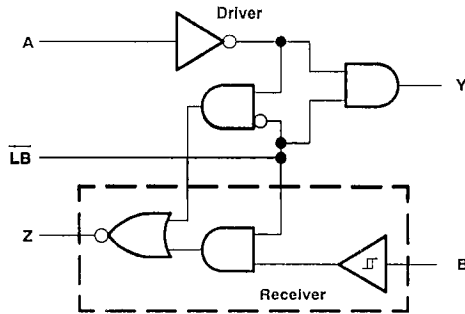
SN75186 QUADRUPLE DRIVER/RECEIVER WITH LOOPBACK

logic symbol†

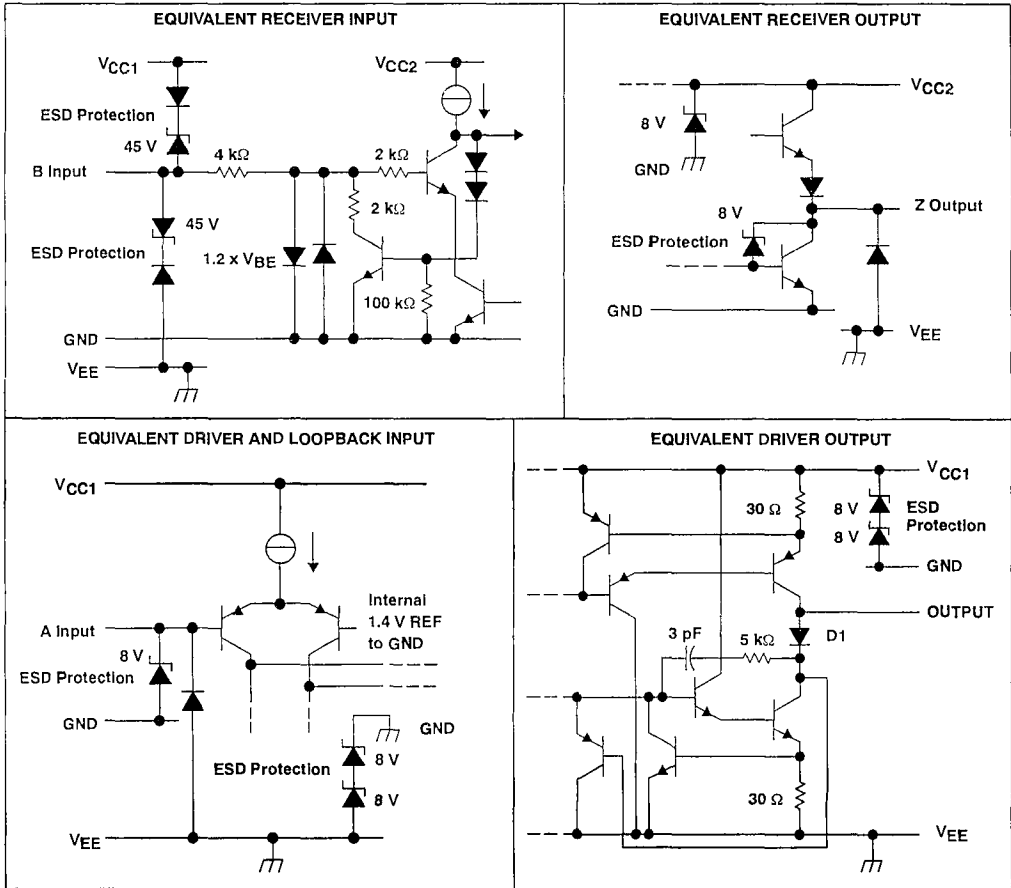


† This symbol is in accordance with ANSI/IEEE Std 91-1984 and IEC publication 617-12.

logic diagram, each driver/receiver pair (positive logic)



schematics of inputs and outputs



All component values shown are nominal.

SN75186 QUADRUPLE DRIVER/RECEIVER WITH LOOPBACK

absolute maximum ratings over operating free-air temperature range (unless otherwise noted)

Supply voltage, V_{CC1} (see Note 1)	15 V
Supply voltage, V_{CC2}	7 V
Supply voltage, V_{EE}	-15 V
Receiver input voltage range	-30 V to 30 V
Driver input voltage range	($V_{EE} + 2$ V) to V_{CC1} V
Loopback input voltage range	0 V to 7 V
Driver output voltage range	-30 V to 30 V
Continuous total power dissipation at (or below) 25°C free-air temperature (see Note 2)	1400 mW
Operating free-air temperature range, T_A	0°C to 70°C
Storage temperature range	-65°C to 150°C
Case temperature for 10 seconds	260°C

- NOTES: 1. All voltages are with respect to the network ground terminal.
2. For operation above 25°C free-air temperature, derate linearly to 896 mW at 70°C at the rate of 11.2 mW/°C.

recommended operating conditions

		MIN	NOM	MAX	UNIT
Supply voltage, V_{CC1}		10.8	12	13.2	V
Supply voltage, V_{CC2}		4.5	5	5.5	V
Supply voltage, V_{EE}		-10.8	-12	-13.2	V
Input voltage, V_I	Driver and loopback	0		V_{CC2}	V
Input voltage, V_I (see Note 3)	Receiver			±30	V
High-level input voltage, V_{IH}	Driver and loopback		2		V
Low-level input voltage, V_{IL}	Driver and loopback			0.8	V
Output voltage, V_O , powered on or off	Driver			±30	V
High-level output current, I_{OH}	Receiver			-4	mA
Low-level output current, I_{OL}	Receiver			4	mA
Operating free-air temperature, T_A			0	70	°C

NOTE 3: If all receiver inputs are held at ±30V, the thermal dissipation limit of the package may be exceeded. The thermal shutdown may not protect the device, as this dissipation occurs in the receiver input resistors.

DRIVER SECTION

driver electrical characteristics over full recommended ranges of supply voltage and operating free-air temperature (unless otherwise noted)

PARAMETER		TEST CONDITIONS	MIN	TYP†	MAX	UNIT
V _{OH}	High-level output voltage	R _L = 3 kΩ, V _{IL} = 0.8 V, See Figure 1		7		V
V _{OL}	Low-level output voltage‡	R _L = 3 kΩ, V _{IH} = 2 V, See Figure 1			-7	V
V _{OH(LB)}	High-level output voltage in loopback mode‡§¶	R _L = 3 kΩ, \overline{LB} at 0.8 V, V _{IL} = 0.8 V			-7	V
I _{IH}	High-level input current (driver and loopback inputs)#	V _I = 5 V, See Figure 2			100	μA
I _{IL}	Low-level input current (driver and loopback inputs)#	V _I = 0, See Figure 2			-100	μA
I _{OS(H)}	High-level short-circuit output current	V _I = 0.8 V, V _O = 0, See Note 4 and Figure 1	-10	-20	-35	mA
I _{OS(L)}	Low-level short-circuit output current	V _I = 2 V, V _O = 0, See Note 4 and Figure 1	10	20	35	mA
I _{CC1}	Supply current from V _{CC1}	No load		2.5	4	mA
I _{CC1(LB)}	Supply current from V _{CC1} with loopback on	No load, \overline{LB} at 0.8 V			10	mA
I _{EE}	Supply current from V _{EE}	No load		-2.5	-4	mA
I _{EE(LB)}	Supply current from V _{EE} with loopback on	No load, \overline{LB} at 0.8 V			-10	mA
I _{CC2}	Supply current from V _{CC2}	No load, V _I = 0, See Note 6		-10	-100	μA
I _{CC2(LB)}	Supply current from V _{CC2} with loopback on	No load, \overline{LB} at 0.8 V, V _I = 0, See Note 6		-10	-100	μA
r _o	Output resistance	V _{CC1} = V _{EE} = V _{CC2} = 0, V _O = -2 V to 2 V, See Note 5	0.3	5		kΩ

† All typical values are at T_A = 25°C.

‡ The algebraic convention, where the more positive (less negative) limit is designated as maximum, is used in this data sheet for logic levels only.

§ This is the most positive level that the driver output will rise to when the device is in the loopback mode and the driver input is at a low level.

¶ The loopback mode should be entered only when the driver output is in the low (marking) state.

Unused driver inputs should be tied to 0 V or V_{CC2}; unused loopback inputs should be tied to V_{CC2}.

NOTES: 4. Minimum I_{OS(H)} and I_{OS(L)} are specified at V_O = 0 as this more accurately describes the output current needed to dynamically drive capacitive lines. A minimum of ±10 mA is sufficient to drive 2500 pF in parallel with 3 kΩ at a slew rate of 4 V/μs (in accordance with EIA-232-D and V.28).

5. Test conditions are those specified by EIA-232-D.

6. Without a load and V_I = 0, the worst case conditions, V_{CC2} pin sources a small current originating from V_{CC1} giving I_{CC2} supply current a negative sign. When a receiver has an output load, V_{CC2} sinks static and dynamic supply currents to meet load requirements.

SN75186
QUADRUPLE DRIVER/RECEIVER WITH LOOPBACK

driver switching characteristics over full recommended ranges of supply voltages and operating free-air temperature (unless otherwise noted)

PARAMETER		TEST CONDITIONS	MIN	TYP [†]	MAX	UNIT
t_{PLH}	Propagation delay time, low-to-high level output	$R_L = 3\text{ k}\Omega$ to $7\text{ k}\Omega$, $C_L = 15\text{ pF}$,		0.6	5	μs
t_{PHL}	Propagation delay time, high-to-low-level output	See Figure 3		0.8	5	μs
t_{skew}	$ t_{PLH} - t_{PHL} $	$R_L = 3\text{ k}\Omega$ to $7\text{ k}\Omega$, $C_L = 15\text{ pF}$ to 2500 pF		0.2	1	μs
SR	Output slew rate	$R_L = 3\text{ k}\Omega$ to $7\text{ k}\Omega$, $C_L = 15\text{ pF}$ to 2500 pF	4		30	V/ns
$t_{pd}(LB)$	Propagation delay time going into loopback mode [‡]	$R_L = 3\text{ k}\Omega$ to $7\text{ k}\Omega$, See Figure 7		3	50	μs
$t_{pd}(OLB)$	Propagation delay time going out of loopback mode [§]	$R_L = 3\text{ k}\Omega$ to $7\text{ k}\Omega$, See Figure 7		3	50	μs
$t_{pd}(LB)$	Propagation delay time in loopback mode [¶]	$R_L = 3\text{ k}\Omega$ to $7\text{ k}\Omega$, See Figure 8		3	15	μs
t_{skew}	Skew time in loopback mode	$R_L = 3\text{ k}\Omega$ to $7\text{ k}\Omega$, See Note 7		4	10	μs

[†] All typical values are at $T_A = 25^\circ\text{C}$.

[‡] This is the delay between entering the loopback mode and when the data on the receiver output becomes valid.

[§] This is the worst-case (rising or falling edges) total propagation delay between driver input and receiver output when in the loopback mode.

[¶] This is the magnitude of the difference between the propagation delay time of the rising and falling edges of $t_{pd}(LB)$.

NOTE 7: Skew time is the magnitude of the difference between t_{PHL} and t_{PLH} and is measured with a 0 to 3-V input pulse.



RECEIVER SECTION

receiver electrical characteristics over full recommended ranges of supply voltages and operating free-air temperature (unless otherwise noted)

PARAMETER		TEST CONDITIONS	MIN	TYP†	MAX	UNIT
V_{T+}	Positive-going threshold voltage	See Figure 5	1.3	2	2.5	V
V_{T-}	Negative-going threshold voltage	See Figure 5	0.5	1	1.7	V
V_{hys}	Input hysteresis ($V_{T+} - V_{T-}$)		0.5	1	1.5	V
V_{OH}	High-level output voltage	$V_I = -3$ V or inputs open, $I_{OH} = -20$ μ A	3.5			V
		See Note 8 and Figure 5, $I_{OH} = -4$ mA	2.4			
V_{OL}	Low-level output voltage	$I_{OL} = 4$ mA, $V_I = 3$ V, See Figure 5			0.4	V
$I_{OS(H)}$	Short-circuit output current at high-level	$V_{OH} = 0$, See Figure 4		-20	-60	mA
$I_{OS(L)}$	Short-circuit output current at low-level	$V_{OL} = V_{CC2}$, See Figure 4		20	60	mA
r_{in}	Input resistance	$ V_I \leq 25$ V	3			k Ω
		$ V_I = 3$ V to 25 V			7	

NOTE 8: If the inputs are left unconnected, the receiver interprets this as a low input and the receiver outputs will remain in the high state.

receiver switching characteristics over full recommended ranges of supply voltages and operating free-air temperature (unless otherwise noted)

PARAMETER		TEST CONDITIONS	MIN	TYP†	MAX	UNIT
t_{PLH}	Propagation delay time, low-to-high level output	See Figure 6		2	6	μ s
t_{PHL}	Propagation delay time, high-to-low-level output			2	6	μ s
t_{TLH}	Transition time, low-to-high level output‡	$C_L = 50$ pF, See Figure 6		200	300	ns
t_{THL}	Transition time, high-to-low level output‡			50	300	ns
t_{skew}	$ t_{PLH} - t_{PHL} $			0.1	1	μ s
t_{wN}	Maximum pulse duration assumed to be noise§	Pulse amplitude = 5 V	1	2	4	μ s

† All typical values are at $T_A = 25^\circ\text{C}$.

‡ Transition times are measured between 10% and 90% points on output waveform.

§ The receiver will ignore any positive- or negative-going pulse whose duration is less than the minimum value of t_w and accept any positive- or negative-going pulse whose duration is greater than the maximum value of t_w .

PARAMETER MEASUREMENT INFORMATION

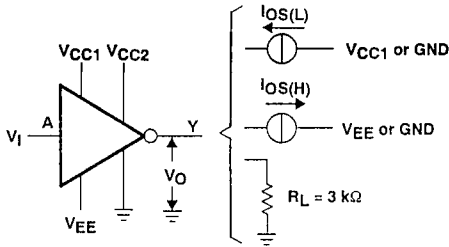


Figure 1. Driver Test Circuit, V_{OH} , V_{OL} , $I_{OS(L)}$, $I_{OS(H)}$

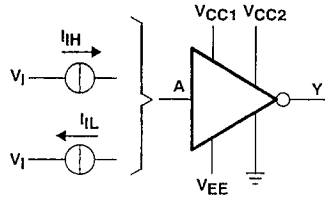
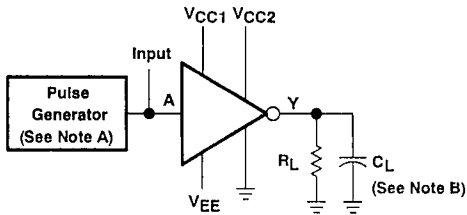
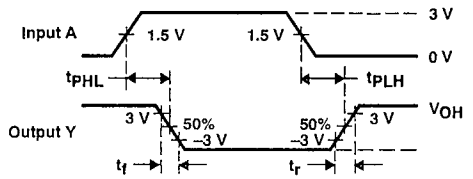


Figure 2. Driver and Loopback Test Circuit, I_{IL} , I_{IH}



DRIVER TEST CIRCUIT



DRIVER VOLTAGE WAVEFORMS
 (See Note C)

Figure 3. Driver Propagation Time and Slew Rate

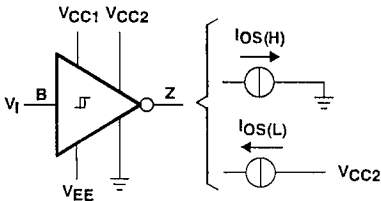


Figure 4. Receiver Test Circuit, $I_{OS(H)}$, $I_{OS(L)}$

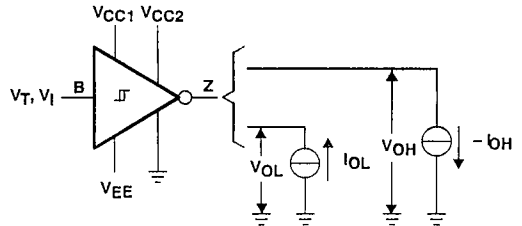
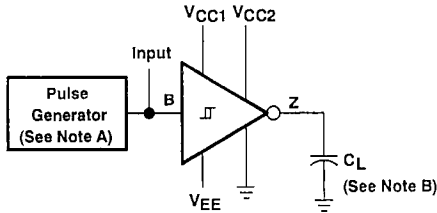


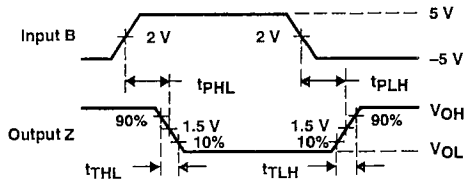
Figure 5. Receiver Test Circuit, V_T , V_{OL} , V_{OH}

- NOTES: A. The pulse generator has the following characteristics: $t_w = 25 \mu s$, $PRR = 20 \text{ kHz}$, $Z_0 = 50 \Omega$.
 B. C_L includes probe and jig capacitance.
 C. Slew rate = $\frac{6 \text{ V}}{t_r \text{ or } t_f}$.

PARAMETER MEASUREMENT INFORMATION

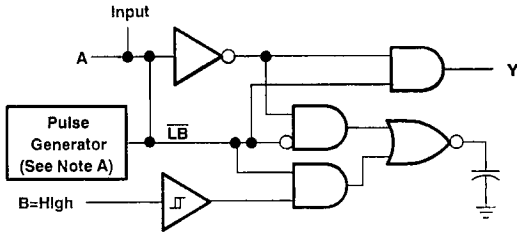


RECEIVER TEST CIRCUIT

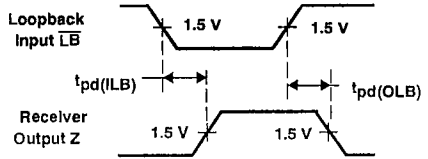


RECEIVER VOLTAGE WAVEFORMS

Figure 6. Receiver Propagation and Transition Times

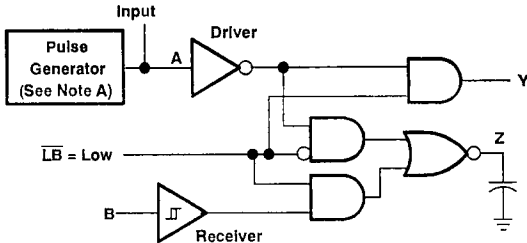


LOOPBACK TEST CIRCUIT

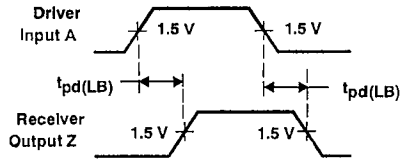


RECEIVER VOLTAGE WAVEFORMS

Figure 7. Loopback Entry and Exit Propagation Times



LOOPBACK TEST CIRCUIT



RECEIVER VOLTAGE WAVEFORMS

Figure 8. Loop Propagation Times in Loopback Mode

NOTES: A. The pulse generator has the following characteristics: $t_W = 25 \mu s$, PRR = 20 kHz, $Z_0 = 50 \Omega$.
 B. C_L includes probe and jig capacitance.

SN75186 QUADRUPLE DRIVER/RECEIVER WITH LOOPBACK

PRINCIPLES OF OPERATION

In normal operation, the SN75186 acts as four independent drivers and receivers; the loopback mode is held off by keeping logic inputs \overline{LB} high. Taking a particular \overline{LB} input low activates the loopback mode in the corresponding driver/receiver pair. This causes the output from that driver to be fed back to the input of its receiver through dedicated internal loopback circuitry. Data from the receiver output can then be compared, by a communication system, with the data transmitted to the driver to determine if the functional operation of the driver and receiver together is correct.

In the loopback mode, external data at the input of the receiver is ignored and the driver does not transmit data onto the line. Extraneous data is prevented internally from being sent by the driver in the loopback mode by clamping its output to a level below the maximum interface voltage, -5 V , of the EIA-232-D marking state. Below this marking level, a reduced 1.5-V output amplitude is used at the driver output. This signal is detected by an on-chip loopback comparator and fed to the input stage of the receiver to complete the loop.

Line faults external to the SN75186 are detected in addition to device failures. These line faults include short circuits to ground and to external supply voltages that are greater than $(V_{EE} + 7\text{ V})$ and less than V_{EE} typically. For example, with $V_{EE} = -12\text{ V}$, line short circuits to voltages greater than -5 V and less than -12 V will be detected. The loopback mode should be entered only when the driver output is low, that is, the marking condition of EIA-232-D. It is recommended that loopback not be entered when the driver output is in a high state as this may cause a low-level, nondamaging oscillation at the driver output.

When in the loopback mode, approximately 95% of the SN75186 circuit is functionally checked. There exists some low probability of fault mechanisms in circuitry not checked in the loopback mode. To reduce the chances of undetected failure, the unchecked circuitry has been designed to be more robust than that within the loopback test loop. The areas where special attention has been paid are the receiver input potential divider and resistors, the driver output blocking diode (D1), and parts of the driver clamp circuit.

Protection of the SN75186 is achieved by means of driver output current limits and a thermal trip. Although this device will withstand $\pm 30\text{ V}$ at its receiver input, package thermal dissipation limitations have to be taken into consideration if more than one receiver is connected simultaneously. This is due to the possible dissipation in the 3-k Ω minimum input resistors, which is not under the control of the thermal trip. Although the supply current is higher in the loopback mode than in normal operation, the total power dissipation is not sufficient under normal worst-case conditions (of receiver input $V_I = 15\text{ V} + 10\%$, receiver output voltage = 2.4 V at 4 mA, driver load of 3 k Ω) to cause the thermal limiting circuitry to trip.

If the SN75186 goes into thermal trip, the output of the driver goes to a high-impedance state and the receiver output is held in a logic-high marking state. Both driver and receiver outputs maintain a marking state for the following circuit and do not allow indeterminate conditions to exist.

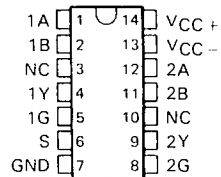
The standards specify a minimum driver output resistance to ground of 300 Ω when the device is powered off. To fully comply with EIA-232-D power-off fault conditions, many drivers need diodes in series with each supply voltage to prevent reverse current flow and driver damage. The SN75186 overcomes this need by providing a high-impedance driver output of typically 5 k Ω under power-off conditions through the use of the equivalent of these series diodes in the driver output circuit.

SN75207, SN75207B DUAL SENSE AMPLIFIERS FOR MOS MEMORIES OR DUAL HIGH-SENSITIVITY LINE RECEIVERS

D1314, JULY 1973—REVISED SEPTEMBER 1989

- Plug-in Replacement for SN75107A and SN75107B with Improved Characteristics
- ± 10 mV Input Sensitivity
- TTL Compatible
- Standard Supply Voltages . . . ± 5 V
- Differential Input Common-Mode Voltage Range of ± 3 V
- Strobe Inputs for Channel Selection
- '207 and '207B Have Totem-Pole Outputs
- "B" Version Has Diode-Protected Input Stage for Power-Off Condition
- Sense Amplifier for MOS Memories
- Dual Comparator
- High-Sensitivity Line Receiver

D OR N PACKAGE
(TOP VIEW)



NC—No internal connection

FUNCTION TABLE

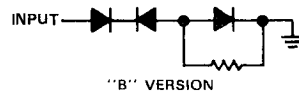
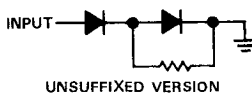
DIFFERENTIAL INPUTS A-B	STROBES		OUTPUT Y
	G	S	
$V_{ID} \geq 10$ mV	X	X	H
-10 mV $< V_{ID} < 10$ mV	X	L	H
	L	X	H
	H	H	Indeterminate
$V_{ID} \leq -10$ mV	X	L	H
	L	X	H
	H	H	L

H = high level, L = low level, X = irrelevant

description

The SN75207 and SN75207B are pin-for-pin replacements for the SN75107A and SN75107B respectively. The improved input sensitivity makes them more suitable for MOS memory sense amplifiers and can result in faster memory cycles. Improved sensitivity also makes them more useful in line receiver applications by allowing use of longer transmission line lengths. The '207 and '207B each features a TTL-compatible active-pull-up output.

The essential difference between the unsuffixed and "B" version can be seen in the schematics. Input protection diodes are in series with the collectors of the differential-input transistors of the "B" version. These diodes are useful in certain "party-line" systems that may have multiple V_{CC+} power supplies and may be operated with some of the V_{CC+} supplies turned off. In such a system, if a supply is turned off and allowed to go to ground, the equivalent input circuit connected to that supply would be as follows:

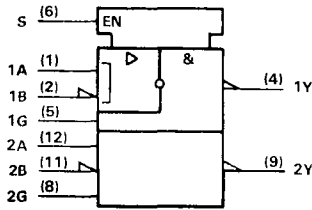


This would be a problem in specific systems that might possibly have the transmission lines biased to some potential greater than 1.4 V.

These devices are characterized for operation from 0°C to 70°C and are available in plastic small outline (D) package or plastic dual-in-line (N) package.

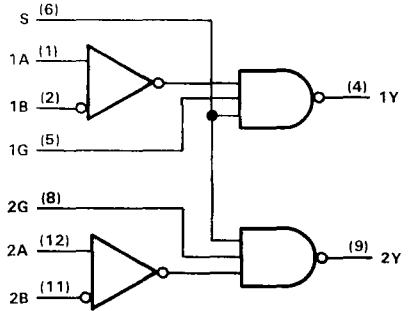
SN75207, SN75207B DUAL SENSE AMPLIFIERS FOR MOS MEMORIES OR DUAL HIGH-SENSITIVITY LINE RECEIVERS

logic symbol†

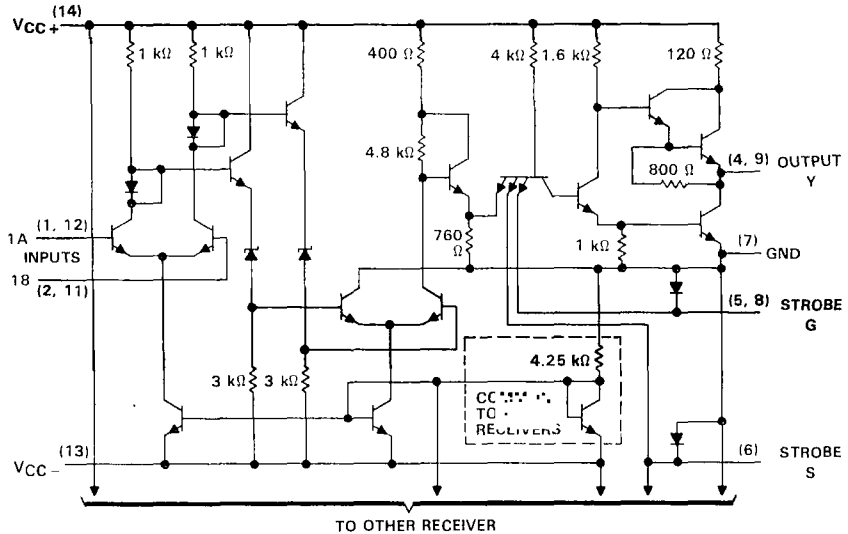


†This symbol is in accordance with ANSI/IEEE Std 91-1984 and IEC Publication 617-12.

logic diagram (positive logic)



schematic (each receiver)



NOTE: Resistor values shown are nominal.

SN75207, SN75207B DUAL SENSE AMPLIFIERS FOR MOS MEMORIES OR DUAL HIGH-SENSITIVITY LINE RECEIVERS

design characteristics

The '207 and '207B line receivers/sense amplifiers are TTL-compatible dual circuits intended for use in high-speed data-transmission systems or MOS memory systems. They are designed to detect low-level differential signals in the presence of common-mode noise and variations of temperature and supplies. The dc specifications reflect worst case conditions of temperature, supply voltages, and input voltages.

The input common-mode voltage range is ± 3 V. This is adequate for application in most systems. In systems with requirements for greater common-mode voltage range, input attenuators may be used to decrease the noise to an acceptable level at the receiver-input terminals.

The circuits feature individual strobe inputs for each channel and a strobe input common to both channels for logic versatility. The strobe inputs are tested to assure 400 mV of dc noise margin when interfaced with Series 54/74 TTL.

The circuits feature high input impedance and low input currents, which induce very little loading on the transmission line. This makes these devices especially useful in party-line systems. The excellent input sensitivity (3 mV typical) is particularly important when data is to be detected at the end of a long transmission line and the amplitude of the data has deteriorated due to cable losses. The circuits are designed to detect input signals of 10 mV (or greater) amplitude and convert the polarity of the signal into appropriate TTL-compatible output logic levels.

absolute maximum ratings over operating free-air temperature range (unless otherwise noted)

Supply voltage, V_{CC+} (see Note 1)	7 V
Supply voltage, V_{CC-}	-7 V
Differential input voltage (see Note 2)	± 6 V
Common-mode input voltage (see Note 3)	± 5 V
Strobe input voltage	5.5 V
Continuous total dissipation at (or below) 25°C free-air temperature: (see Note 4)	
D package	950 mW
N package	1150 mW
Operating free-air temperature range	0°C to 70°C
Storage temperature range	-65°C to 150°C
Lead temperature 1,6 mm (1/16 inch) from case for 10 seconds	260°C

- NOTES: 1. All voltage values, except differential voltages, are with respect to ground terminal.
2. Differential input voltage values are at the noninverting (A) terminal with respect to the inverting (B) terminal.
3. Common-mode input voltage is the average of the voltages at the A and B inputs.
4. For operation above 25°C free-air temperature, derate linearly to 608 mW at 70°C at the rate of 7.6 mW/°C for the D package and 736 mW at 70°C at the rate of 9.2 mW/°C for the N package.

SN75207, SN75207B
DUAL SENSE AMPLIFIERS FOR MOS MEMORIES
OR DUAL HIGH-SENSITIVITY LINE RECEIVERS

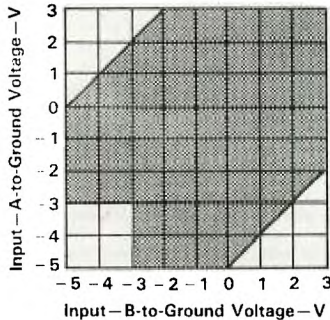
recommended operating conditions (see Note 5)

	MIN	NOM	MAX	UNIT
Supply voltage, V_{CC+}	4.75	5	5.25	V
Supply voltage, V_{CC-}	-4.75	-5	-5.25	V
High-level differential input voltage V_{IDH} (see Note 6)	0.01		5	V
Low-level differential input voltage, V_{IDL}	-5 [†]		-0.01	V
Common-mode input voltage, V_{IC} (see Notes 6 and 7)	-3 [†]		3	V
Input voltage, any differential input to ground (see Note 6)	-5 [†]		3	V
High-level input voltage at strobe inputs, $V_{IH(S)}$	2		5.5	V
Low-level input voltage at strobe inputs, $V_{IL(S)}$	0		0.8	V
Low-level output current, I_{OL}			-16	mA
Operating free-air temperature, T_A	0		70	°C

[†] The algebraic convention, in which the less positive (more negative) limit is designated as minimum, is used in this data sheet for logic voltage levels only.

- NOTES: 5. When using only one channel of the line receiver, the strobe G of the unused channel should be grounded and at least one of the differential inputs of the unused receiver should be terminated at some voltage between -3 V and 3 V.
6. The recommended combinations of input voltages fall within the shaded area of the figure shown.
7. The common-mode voltage may be as low as -4 V provided that the more positive of the two inputs is not more negative than -3 V.

RECOMMENDED COMBINATIONS
 OF INPUT VOLTAGES



SN75207, SN75207B
DUAL SENSE AMPLIFIERS FOR MOS MEMORIES
OR DUAL HIGH-SENSITIVITY LINE RECEIVERS

electrical characteristics over recommended free-air temperature range (unless otherwise noted)

PARAMETER		TEST CONDITIONS		MIN	TYP†	MAX	UNIT
I_{IH}	High-level input current	'207	$V_{CC\pm} = \pm 5.25$ V	$V_{ID} = 5$ V	30	75	μ A
		'207B		$V_{ID} = -5$ V	30	75	
I_{IL}	Low-level input current	'207	$V_{CC\pm} = \pm 5.25$ V	$V_{ID} = -5$ V		-10	μ A
		'207B		$V_{ID} = 5$ V		-10	
I_{IH}	High-level input current into 1G or 2G		$V_{CC\pm} = \pm 5.25$ V, $V_{IH(S)} = 2.4$ V			40	μ A
			$V_{CC\pm} = \pm 5.25$ V, $V_{IH(S)} = \pm 5.25$ V			1	mA
I_{IL}	Low-level input current into 1G or 2G		$V_{CC\pm} = \pm 5.25$ V, $V_{IL(S)} = 0.4$ V			-1.6	mA
I_{IH}	High-level input current into S		$V_{CC\pm} = \pm 5.25$ V, $V_{IH(S)} = 2.4$ V			80	μ A
			$V_{CC\pm} = \pm 5.25$ V, $V_{IH(S)} = \pm 5.25$ V			2	mA
I_{IL}	Low-level input current into S		$V_{CC\pm} = \pm 5.25$ V, $V_{IL(S)} = 0.4$ V			-3.2	mA
V_{OH}	High-level output voltage		$V_{CC\pm} = \pm 4.75$ V, $V_{IL(S)} = 0.8$ V, $I_{OH} = -400$ μ A, $V_{IC} = -3$ V to 3 V	$V_{IDH} = 10$ mV,	2.4		V
V_{OL}	Low-level output voltage		$V_{CC\pm} = \pm 4.75$ V, $V_{IH(S)} = 2$ V, $I_{OL} = 16$ mA, $V_{IC} = -3$ V to 3 V	$V_{IDL} = -10$ mV,		0.4	V
I_{OH}	High-level output current		$V_{CC\pm} = \pm 4.75$ V, $V_{OH} = \pm 5.25$ V				μ A
I_{OS}	Short-circuit output current†		$V_{CC\pm} = \pm 5.25$ V		-18	-70	mA
I_{CCH+}	Supply current from V_{CC+} , outputs high		$V_{CC\pm} = \pm 5.25$ V, $T_A = 25^\circ$ C		18	30	mA
I_{CCH-}	Supply current from V_{CC-} , outputs high		$V_{CC\pm} = \pm 5.25$ V, $T_A = 25^\circ$ C		-8.4	-15	mA

†All typical values are at $V_{CC+} = 5$ V, $V_{CC-} = -5$ V, $T_A = 25^\circ$ C.

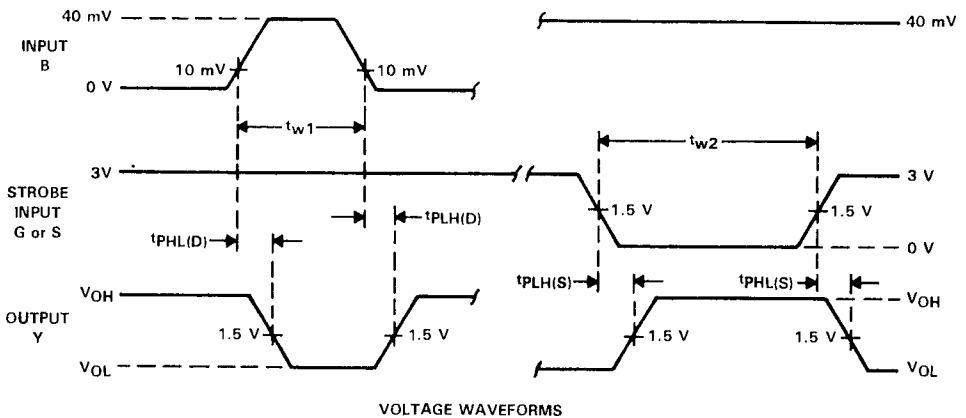
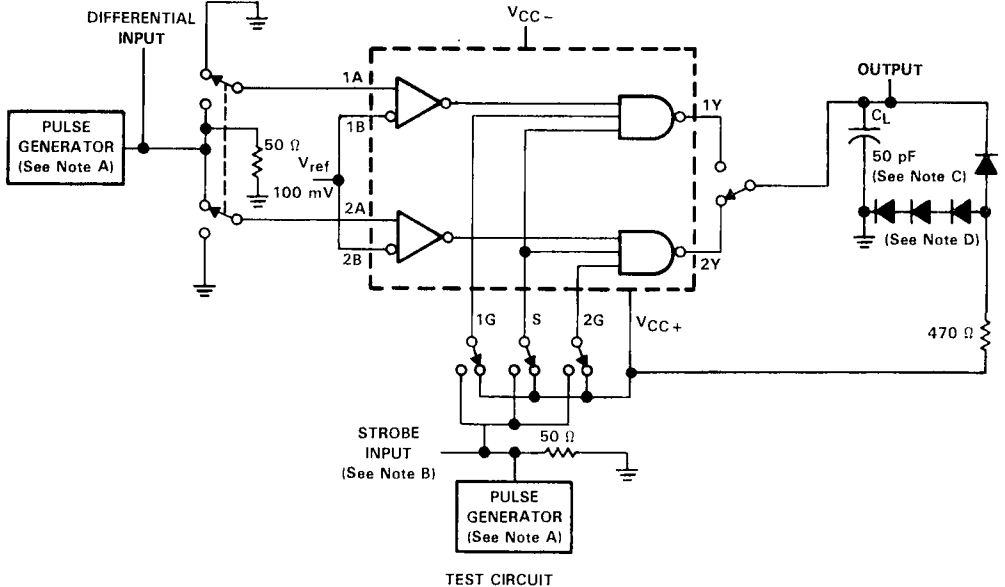
‡Not more than one output should be shorted at a time.

switching characteristics, $V_{CC+} = 5$ V, $V_{CC-} = -5$ V, $T_A = 25^\circ$ C

PARAMETER	TEST CONDITIONS	MIN	MAX	UNIT
$t_{PLH(D)}$	$R_L = 470$ Ω , $C_L = 50$ pF, See Figure 1		35	ns
$t_{PHL(D)}$			20	ns
$t_{PLH(S)}$			17	ns
$t_{PHL(S)}$			17	ns

SN75207, SN75207B
DUAL SENSE AMPLIFIERS FOR MOS MEMORIES
OR DUAL HIGH-SENSITIVITY LINE RECEIVERS

PARAMETER MEASUREMENT INFORMATION



- NOTES:**
- A. The pulse generators have the following characteristics: $Z_{out} = 50 \Omega$, $t_r \leq 5 \text{ ns}$, $t_f \leq 5 \text{ ns}$, $t_{w1} = 500 \text{ ns}$ with $PRR = 1 \text{ MHz}$, $t_{w2} = 1 \mu\text{s}$ with $PRR = 500 \text{ kHz}$.
 - B. Strobe input pulse is applied to Strobe 1G when inputs 1A-1B are being tested, to Strobe S when inputs 1A-1B or 2A-2B are being tested, and to Strobe 2G when inputs 2A-2B are being tested.
 - C. C_L includes probe and jig capacitance.
 - D. All diodes are 1N916.

FIGURE 1. PROPAGATION DELAY TIMES

SN75207, SN75207B
DUAL SENSE AMPLIFIERS FOR MOS MEMORIES
OR DUAL HIGH-SENSITIVITY LINE RECEIVERS

TYPICAL APPLICATION DATA

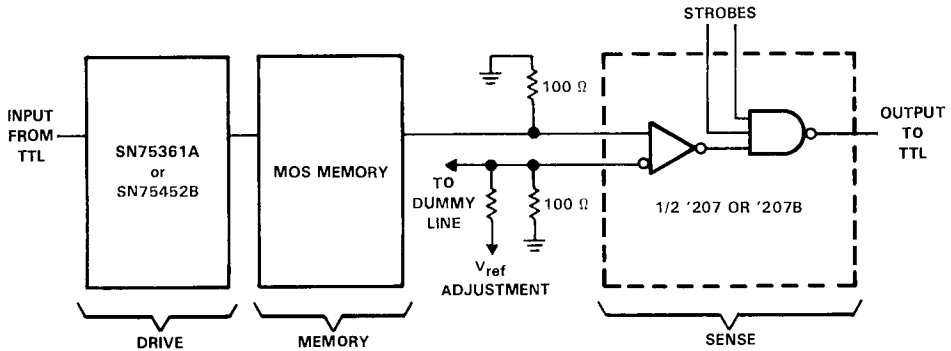
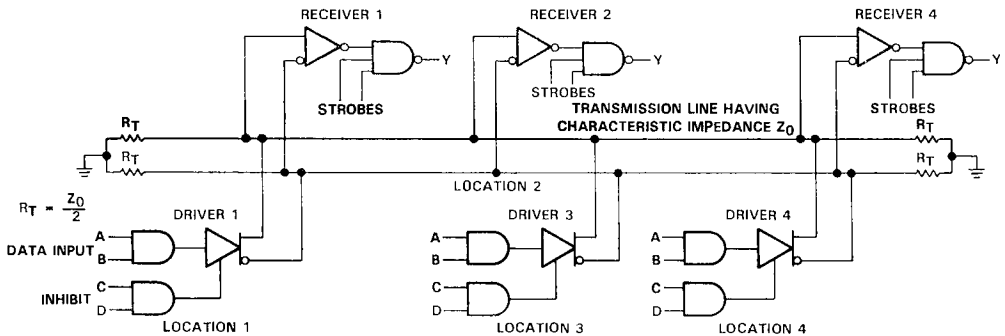


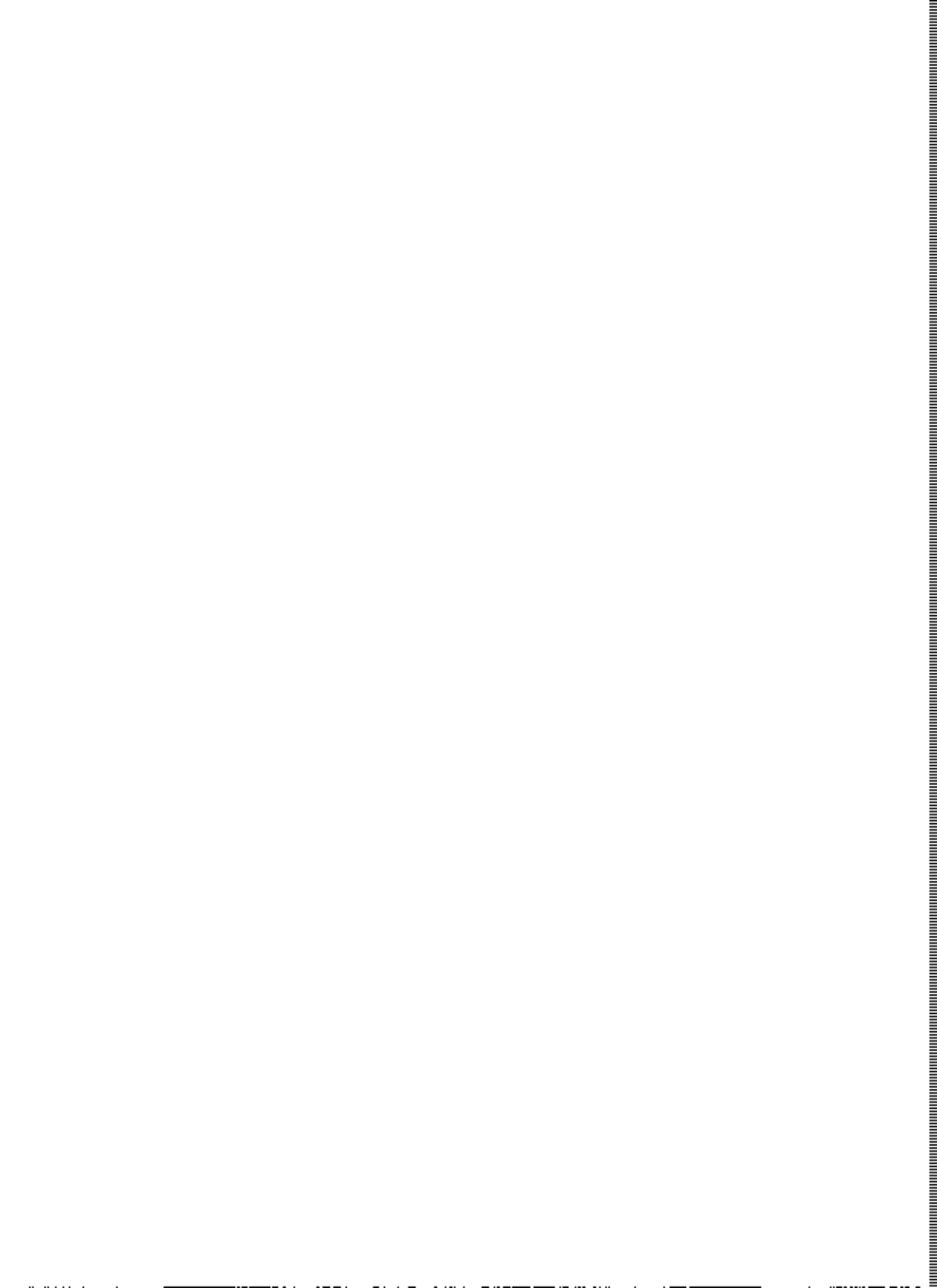
FIGURE 2. MOS MEMORY SENSE AMPLIFIER



Receivers are '207 or '207B; drivers are SN55109A, SN75109A, SN55110A, SN75110A, or SN75112.

FIGURE 3. DATA-BUS OR PARTY-LINE SYSTEM

PRECAUTIONS: When only one receiver in a package is being used, at least one of the differential inputs of the unused receiver should be terminated at some voltage between -3 V and 3 V , preferably at ground. Failure to do so will cause improper operation of the unit being used because of common bias circuitry for the current sources of the two receivers. Strobe G of the unused channel should be grounded.



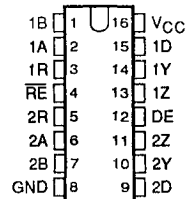
SN751177, SN751178 DUAL DIFFERENTIAL DRIVERS AND RECEIVERS

D3381, MARCH 1990

- Meets EIA Standards RS-422-A, RS485
- Meets CCITT Recommendations V.10, V.11, X.26, X.27
- Designed for Multipoint Bus Transmission on Long Bus Lines in Noisy Environments
- Driver Common-Mode Output Voltage Range of -7 V to 12 V
- Driver Positive- and Negative-Current Limiting
- Thermal Shutdown Protection
- Driver 3-State Outputs Active-High Enable
- Receiver Common-Mode Input Voltage Range of -12 V to 12 V
- Receiver Input Sensitivity ... $\pm 200\text{ mV}$
- Receiver Hysteresis ... 50 mV Typ
- Receiver High-Input-Impedance ... $12\text{ k}\Omega\text{ Min}$
- Receiver 3-State Outputs Active-Low Enable for SN751177 Only
- Operates from Single 5-V Supply

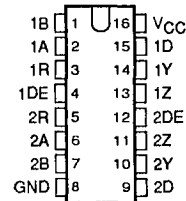
SN751177

N PACKAGE
(TOP VIEW)



SN751178

N PACKAGE
(TOP VIEW)



SN751177, SN751178

FUNCTION TABLE OF EACH DRIVER

INPUT D	ENABLE DE	OUTPUT	
		Y	Z
H	H	H	L
L	H	L	H
X	L	Z	Z

SN751177

FUNCTION TABLE OF EACH RECEIVER

DIFFERENTIAL INPUTS A - B	ENABLE RE	OUTPUT R
$V_{ID} \geq 0.2\text{ V}$	L	H
$-0.2\text{ V} < V_{ID} < 0.2\text{ V}$	L	?
$V_{ID} \leq -0.2\text{ V}$	L	L
X	H	Z

SN751178

FUNCTION TABLE OF EACH RECEIVER

DIFFERENTIAL INPUTS A - B	OUTPUT R
$V_{ID} \geq 0.2\text{ V}$	H
$-0.2\text{ V} < V_{ID} < 0.2\text{ V}$?
$V_{ID} \leq -0.2\text{ V}$	L

H = high level, L = low level, ? = indeterminate,

X = irrelevant, Z = high impedance (off)

description

The SN751177 and SN751178 dual differential drivers and receivers are monolithic integrated circuits that are designed for balanced multipoint bus transmission at rates up to 10 M bits per second. They are designed to improve the performance of full-duplex data communications over long bus lines and meet EIA standards RS-422-A, RS-485 and several CCITT recommendations.

The SN751177 and SN751178 driver outputs provide limiting for both positive and negative currents and thermal shutdown protection from line fault conditions on the transmission bus line.

The receiver features high input impedance of $12\text{ k}\Omega$, an input sensitivity of $\pm 200\text{ mV}$ over a common-mode input voltage range of -12 V to 12 V and typical input hysteresis of 50 mV . Fail-safe design ensures that if the receiver inputs are open, the receiver outputs will always be high.

The SN751177 and SN751178 are characterized for operation from -20°C to 85°C .

PRODUCTION LITERATURE contains information current only. For the latest products and pricing specifications, contact the Texas Instruments standard warranty. Processing does not necessarily include testing of all parameters.

**TEXAS
INSTRUMENTS**

POST OFFICE BOX 655303 • DALLAS, TEXAS 75265

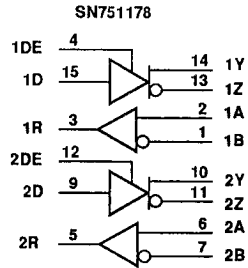
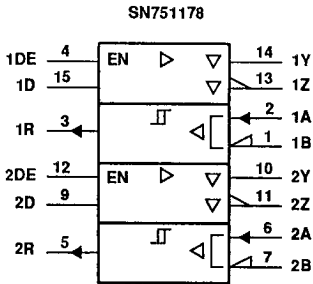
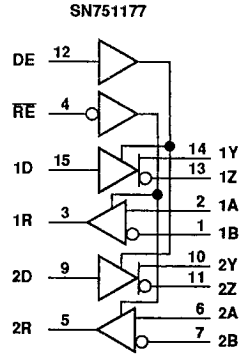
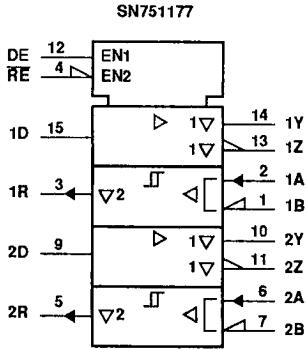
Copyright © 1990, Texas Instruments Incorporated

2-625

SN751177, SN751178 DUAL DIFFERENTIAL DRIVERS AND RECEIVERS

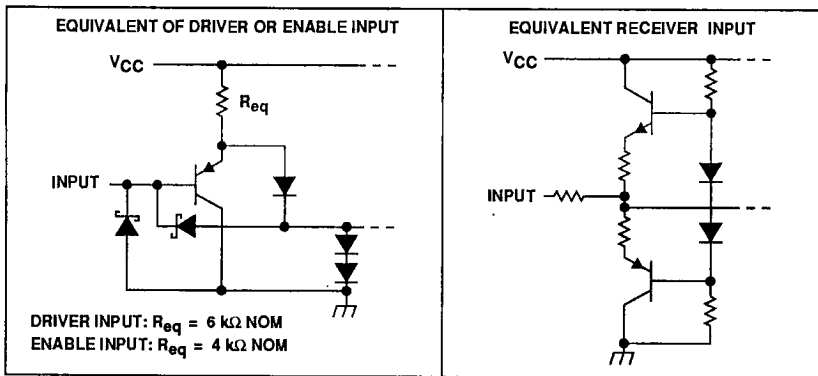
logic symbols†

logic diagrams (positive logic)



†These symbols are in accordance with ANSI/IEEE Std 91-1984 and IEC Publication 617-12

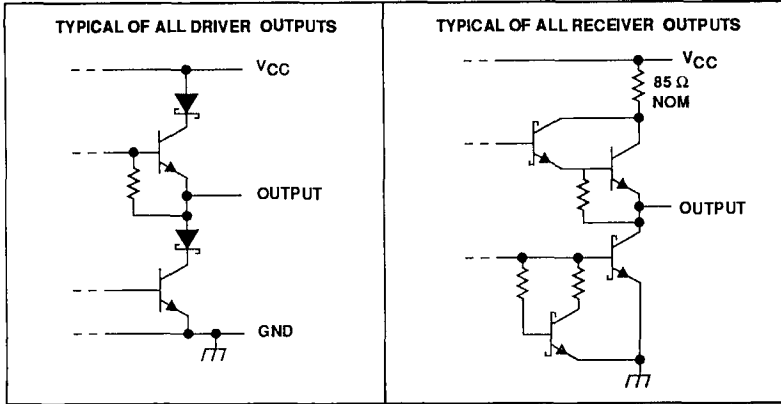
schematics of inputs



All resistor values are nominal.

SN751177, SN751178 DUAL DIFFERENTIAL DRIVERS AND RECEIVERS

schematics of outputs



All resistor values are nominal.

absolute maximum ratings over operating free-air temperature range (unless otherwise noted)

Supply voltage, V_{CC} (see Note 1)	7 V
Input voltage, DE, RE, and D inputs	7 V
Input voltage range, receiver A or B inputs	-25 V to 25 V
Receiver differential input voltage range (see Note 2)	-25 V to 25 V
Output voltage range, Driver	-10 V to 15 V
Receiver low-level output current	50 mA
Continuous total dissipation at (or below) 25°C free-air temperature (see Note 3)	1150 mW
Operating free-air temperature range, T_A	-20°C to 85°C
Storage temperature range	-65°C to 150°C
Lead temperature 1,6 mm (1/16 inch) from case for 10 seconds	260°C

- NOTES: 1. All voltage values, except differential input voltage, are with respect to the network ground terminal.
 2. Differential input voltage is measured at the noninverting terminal with respect to the inverting terminal.
 3. For operation above 25°C free-air temperature, derate to 736 mW at 70°C at the rate of 9.2 mW/°C.

recommended operating conditions

	MIN	NOM	MAX	UNIT
Supply voltage, V_{CC}	4.75	5	5.25	V
High-level input voltage, V_{IH}	2			
Low-level input voltage, V_{IL}				
Common-mode output voltage, V_{OC} (see Note 4)	-7			
High-level output current, I_{OH}				
Low-level output current, I_{OL}	60			
Common-mode input voltage, V_{IC}				
Differential input voltage, V_{ID}	±12			
High-level output current, I_{OH}				
Low-level output current, I_{OL}	16			
Operating free-air temperature, T_A				

NOTE 4: The algebraic convention, where the less positive (more negative) limit is designated as minimum, is used in this data sheet for common-mode output and threshold voltage levels only.

SN751177, SN751178 DUAL DIFFERENTIAL DRIVERS AND RECEIVERS

DRIVER SECTIONS

driver electrical characteristics over recommended ranges of supply voltage and operating free-air temperature (unless otherwise noted)

PARAMETER		TEST CONDITIONS		MIN	TYP†	MAX	UNIT
V_{IK}	Input clamp voltage	$I_I = -18 \text{ mA}$				1.5	V
V_{OH}	High-level output voltage	$V_{IH} = 2 \text{ V}, V_{IL} = 0.8 \text{ V}, I_{OH} = -33 \text{ mA}$			3.7		V
V_{OL}	Low-level output voltage	$V_{IH} = 2 \text{ V}, V_{IL} = 0.8 \text{ V}, I_{OH} = 33 \text{ mA}$			1.1		V
$ V_{OD1} $	Differential output voltage	$I_O = 0$		1.5		6	V
$ V_{OD2} $	Differential output voltage	$R_L = 100 \Omega$, See Figure 1			2		V
		$R_L = 54 \Omega$, See Figure 1		1.5		5	
V_{OD3}	Differential output voltage	See Note 5		1.5		5	V
$\Delta V_{OD} $	Change in magnitude of differential output voltage (see Note 6)	$R_L = 54 \Omega$ or 100Ω , See Figure 1				± 0.2	V
V_{OC}	Common-mode output voltage (see Note 4)			-1		3	V
$\Delta V_{OC} $	Change in magnitude of common-mode output voltage (see Note 6)					± 0.2	V
I_O	Output current with power off	$V_{CC} = 0, V_O = -7 \text{ V to } 12 \text{ V}$				± 100	μA
I_{OZ}	High-impedance-state output current	$V_O = -7 \text{ V to } 12 \text{ V}$				± 100	μA
I_{IH}	High-level input current	$V_{IH} = 2.7 \text{ V}$				20	μA
I_{IL}	Low-level input current	$V_{IL} = 0.4 \text{ V}$				-100	mA
I_{OS}	Short-circuit output current (see Note 7)	$V_O = -7 \text{ V}$				-250	
		$V_O = V_{CC}$				250	
		$V_O = 12 \text{ V}$				250	
I_{CC}	Supply current	No load				80	μA
		outputs enabled				110	
		outputs disabled				50	80

†All typical values are at $V_{CC} = 5 \text{ V}$ and $T_A = 25^\circ\text{C}$

NOTES: 4. The algebraic convention, where the less positive (more negative) limit is designated as minimum, is used in this data sheet for common-mode output and threshold voltage levels only.

5. See EIA Standard RS-485 Figure 3.5, Test Termination Measurement 2.

6. $\Delta|V_{OD}|$ and $\Delta|V_{OC}|$ are the changes in magnitude of V_{OD} and V_{OC} , respectively, that occur when the input is changed from a high level to a low level.

7. Not more than one output should be shorted at a time and the duration of the short-circuit should not exceed one second.

driver switching characteristics at $V_{CC} = 5 \text{ V}, T_A = 25^\circ\text{C}$ (unless otherwise noted)

PARAMETER	TEST CONDITIONS		MIN	TYP	MAX	UNIT
t_{DD}	Differential output delay time	$R_L = 34 \Omega, C_L = 50 \text{ pF}$, See Figure 3		20	25	ns
t_{TD}	Differential output transition time	See Figure 3		27	35	ns
t_{PLH}	Propagation delay time, low-to-high-level output	$R_L = 27 \Omega, C_L = 50 \text{ pF}$, See Figure 4		20	25	ns
t_{PHL}	Propagation delay time, high-to-low-level output	See Figure 4		20	25	ns
t_{PZH}	Output enable time to high level	$R_L = 110 \Omega, C_L = 50 \text{ pF}$, See Figure 5		80	120	ns
t_{PZL}	Output enable time to low level	$R_L = 110 \Omega, C_L = 50 \text{ pF}$, See Figure 6		40	60	ns
t_{PHZ}	Output disable time from high level	$R_L = 110 \Omega, C_L = 50 \text{ pF}$, See Figure 5		90	120	ns
t_{PLZ}	Output disable time from low level	$R_L = 110 \Omega, C_L = 50 \text{ pF}$, See Figure 6		30	45	ns

SN751177, SN751178 DUAL DIFFERENTIAL DRIVERS AND RECEIVERS

SYMBOL EQUIVALENTS

DATA SHEET PARAMETER	RS-422A	RS-485
$ V_{OD1} $	V_O	V_O
$ V_{OD2} $	$V_I (R_L = 100 \Omega)$	$V_I (R_L = 54 \Omega)$
$ V_{OD3} $		V_I (Test termination measurement 2)
$\Delta V_{OD} $	$ V_I - V_I $	$ V_I - V_I $
V_{OC}	$ V_{OS} $	$ V_{OS} $
$\Delta V_{OC} $	$ V_{OS} - V_{OS} $	$ V_{OS} - V_{OS} $
I_{OS}	$ I_{sa} , I_{sb} $	
I_O	$ I_{xa} , I_{xb} $	I_{ia}, I_{ib}

RECEIVER SECTIONS

receiver electrical characteristics over recommended ranges of common-mode input voltage, supply voltage, and operating free-air temperature (unless otherwise noted)

PARAMETER	TEST CONDITIONS	MIN	TYP [†]	MAX	UNIT
V_{TH} Differential input high threshold voltage	$V_O = 2.7 \text{ V}, I_O = -6.4 \text{ mA}$			0.2	V
V_{TL} Differential input low threshold voltage (see Note 4)	$V_O = 0.5 \text{ V}, I_O = 16 \text{ mA}$	-0.2			V
V_{hys} Input hysteresis (see Note 8)			50		mV
V_{IK} Enable clamp voltage	SN751177 $I_I = -18 \text{ mA}$			-1.5	V
V_{OH} High-level output voltage	$V_{ID} = 200 \text{ mV}, I_{OH} = -400 \mu\text{A}$	2.7			V
V_{OL} Low-level output voltage	$V_{ID} = -200 \text{ mV}$ $I_{OL} = 8 \text{ mA}$ $I_{OL} = 16 \text{ mA}$			0.45 0.5	V
I_{OZ} High-impedance-state output current	SN751177 $V_O = 0.4 \text{ V to } 2.4 \text{ V}$			± 20	μA
I_I Line input current (see Note 9)	Other input at 0 V $V_I = 12 \text{ V}$ $V_I = -7 \text{ V}$			1 -0.8	mA
I_{IH} High-level enable input current	SN751177 $V_{IH} = 2.7 \text{ V}$			20	μA
I_{IL} Low-level enable input current	SN751177 $V_{IL} = 0.4 \text{ V}$			-100	μA
I_{OS} Short-circuit output current (see Note 7)		-15		-85	mA
I_{CC} Supply current	No load, outputs enabled		80	110	mA
r_i Input resistance			12		k Ω

[†]All typical values are at $V_{CC} = 5 \text{ V}$ and $T_A = 25^\circ\text{C}$

NOTES: 4. The algebraic convention, where the less positive (more negative) limit is designated as minimum, is used in this data sheet for common-mode output and threshold voltage levels only.

7. Not more than one output should be shorted at a time and the duration of the short-circuit should not exceed one second.
8. Hysteresis is the difference between the positive-going input threshold voltage, V_{T+} , and the negative-going input threshold voltage, V_{T-} .
9. Refer to EIA standards RS-422-A, RS-423-A, RS-485-A for exact conditions.

receiver switching characteristics at $V_{CC} = 5 \text{ V}, T_A = 25^\circ\text{C}$ (unless otherwise noted)

PARAMETER	TEST CONDITIONS	MIN	TYP	MAX	UNIT
t_{PLH} Propagation delay time, low-to-high-level output	$V_{ID} = -1.5 \text{ to } 1.5 \text{ V}$		20		ns
t_{PHL} Propagation delay time, high-to-low-level output	$C_L = 15 \text{ pF}$, See Figure 7		22	35	ns
t_{PZH} Output enable time to high level	SN751177 $C_L = 15 \text{ pF}$, See Figure 8		17	25	ns
t_{PZL} Output enable time to low level			20	27	ns
t_{PHZ} Output disable time from high level			25	40	ns
t_{PLZ} Output disable time from low level				30	40

PARAMETER MEASUREMENT INFORMATION

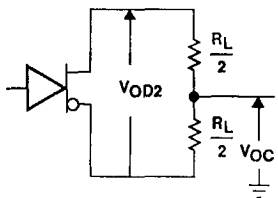


FIGURE 1. DRIVER TEST CIRCUIT, V_{OD} AND V_{OC}

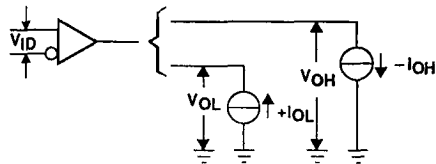
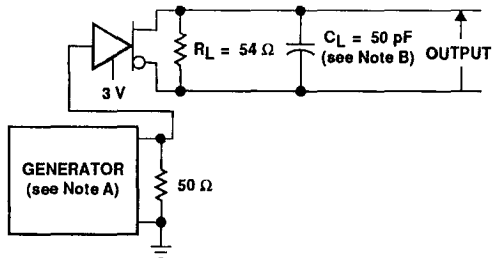
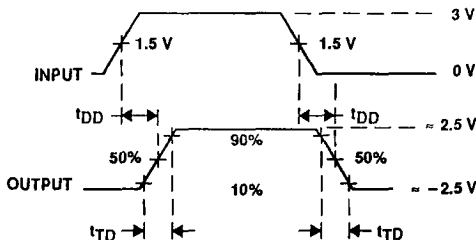


FIGURE 2. RECEIVER TEST CIRCUIT, V_{OH} AND V_{OL}

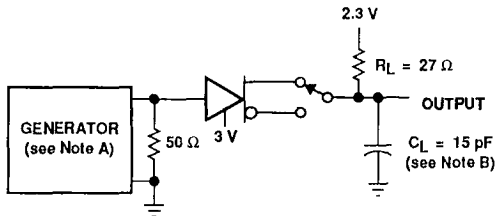


(a) DRIVER TEST CIRCUIT

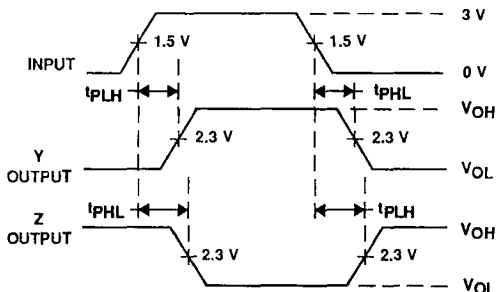


(b) DRIVER VOLTAGE WAVEFORMS

FIGURE 3. DRIVER DIFFERENTIAL OUTPUT DELAY AND TRANSITION TIMES



(a) DRIVER TEST CIRCUIT

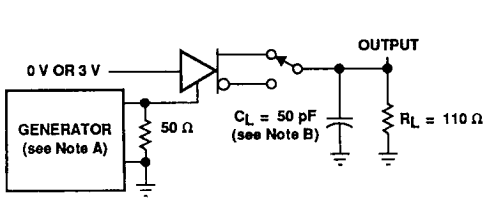


(b) DRIVER VOLTAGE WAVEFORMS

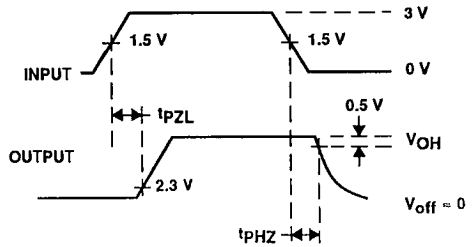
FIGURE 4. DRIVER PROPAGATION DELAY TIMES

NOTES: A. The pulse generator has the following characteristics: $PRR \leq 1$ MHz, 50% duty cycle, $Z_o = 50 \Omega$, $t_r \leq 6$ ns, $t_f \leq 6$ ns.
 B. C_L includes probe and jig capacitance.

PARAMETER MEASUREMENT INFORMATION

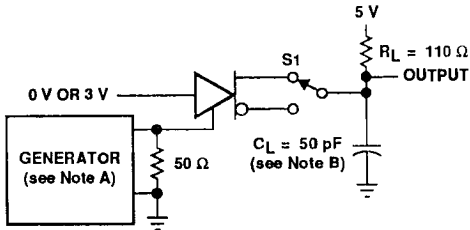


(a) DRIVER TEST CIRCUIT

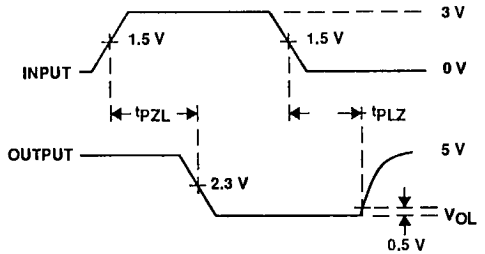


(b) DRIVER VOLTAGE WAVEFORMS

FIGURE 5. DRIVER ENABLE AND DISABLE TIMES

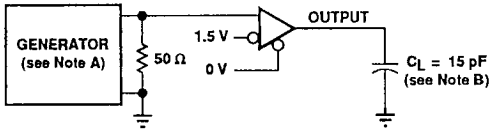


(a) DRIVER TEST CIRCUIT

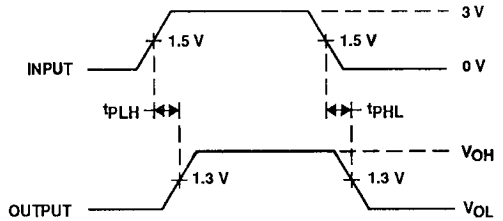


(b) DRIVER VOLTAGE WAVEFORMS

FIGURE 6. DRIVER ENABLE AND DISABLE TIMES



(a) RECEIVER TEST CIRCUIT



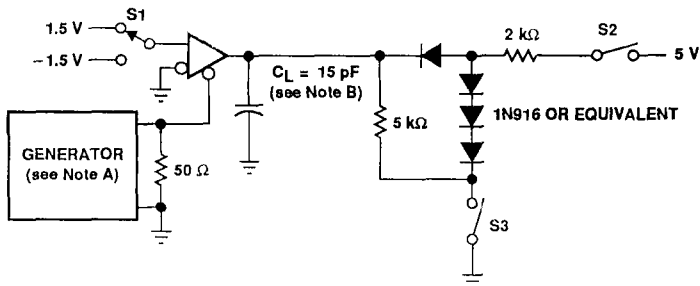
(b) RECEIVER VOLTAGE WAVEFORMS

FIGURE 7. RECEIVER PROPAGATION DELAY TIMES

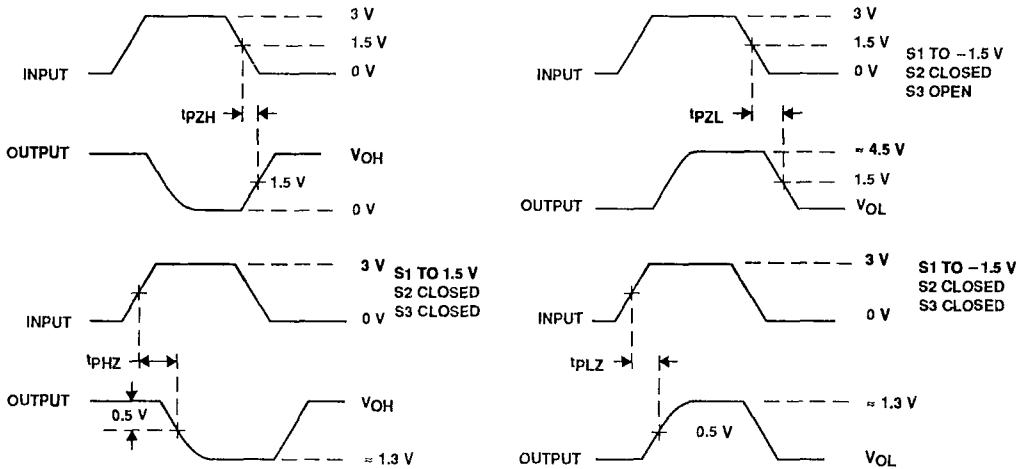
NOTES: A. The pulse generator has the following characteristics: PRR \leq 1 MHz, 50% duty cycle, $Z_o = 50 \Omega$, $t_r \leq 6$ ns, $t_f \leq 6$ ns.
 B. C_L includes probe and jig capacitance.

**SN751177, SN751178
DUAL DIFFERENTIAL DRIVERS AND RECEIVERS**

PARAMETER MEASUREMENT INFORMATION



(a) RECEIVER TEST CIRCUIT



(b) RECEIVER VOLTAGE WAVEFORMS

FIGURE 8. RECEIVER OUTPUT ENABLE AND DISABLE TIMES

NOTES: A. The pulse generator has the following characteristics: PRR ≤ 1 MHz, 50% duty cycle, Z_O = 50 Ω, t_r ≤ 6 ns, t_f ≤ 6 ns.
B. C_L includes probe and jig capacitance.

SN751730 TRIPLE LINE DRIVERS/RECEIVERS

D3494, MAY 1990

- Meets IBM 360/370 Input/Output Interface Specification for 4.5 Mb/s Operation
- Single 5-V Supply
- Uncommitted Emitter-Follower Output Structure for Party-Line Operation
- Driver Output Short-Circuit Protection
- Driver Input/Receiver Output Compatible with TTL
- Receiver Input Resistance ... 7.4 kΩ to 20 kΩ
- Ratio Specification for Propagation Delay Time, Low-to-High/High-to-Low

description

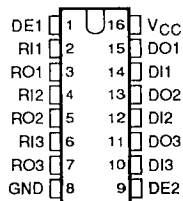
The SN751730 triple line driver/receiver is specifically designed to meet the input/output interface specifications for IBM System 360/370. It is also compatible with standard TTL logic and supply voltage levels.

The low-impedance emitter-follower driver outputs of the SN751730 will drive terminated lines such as coaxial cable or twisted pair. Having the outputs uncommitted allows wired-OR logic to be performed in party-line applications. Output short-circuit protection is provided by an internal clamping network that turns on when the output voltage drops below approximately 2.5 V.

An open line will affect the receiver input as would a low-level input voltage.

All the driver inputs and receiver outputs are in conventional TTL configuration and the gating can be used during power-up and power-down sequences to ensure that no noise is introduced to the line, by pulling either DE1 or DE2 to a low level.

D OR N PACKAGE
(TOP VIEW)



FUNCTION TABLE OF EACH DRIVER

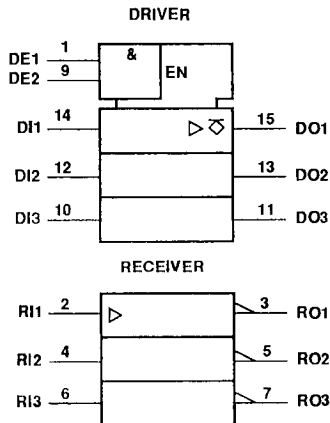
DI	INPUTS		OUTPUT
	DE1	DE2	DO
L	X	X	L
X	L	X	L
X	X	L	L
H	H	H	H

FUNCTION TABLE OF EACH RECEIVER

INPUT	OUTPUT
RI	RO
L	H
H	L
OPEN	H

H = high level, L = low level,
X = irrelevant

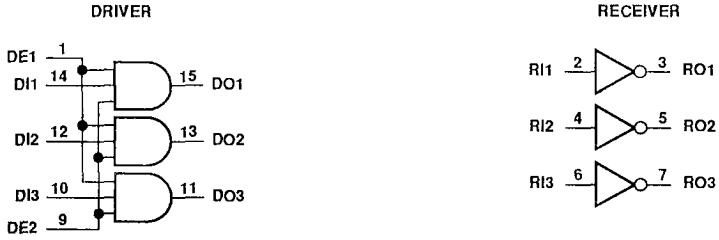
logic symbols†



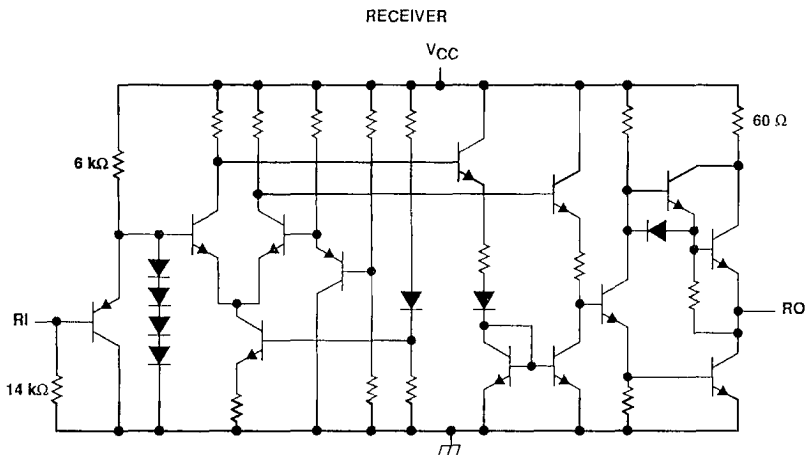
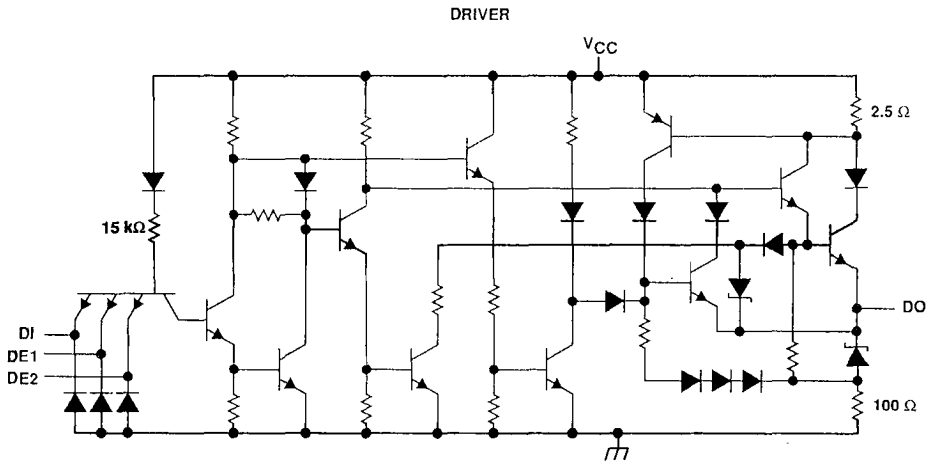
†These symbols are in accordance with ANSI/IEEE Std. 91-1984 and IEC Publication 617-12.

SN751730 TRIPLE LINE DRIVERS/RECEIVERS

logic diagrams (positive logic)



equivalent schematics of driver and receiver



absolute maximum ratings over operating free-air temperature range (unless otherwise noted)

Supply voltage, V_{CC} (see Note 1)	7 V
Input voltage range, V_I : Driver	-0.5 V to 7 V
Receiver	-0.5 V to 7 V
Output voltage range, V_O Driver	-0.5 V to 7 V
Enable input voltage range	-0.5 V to 7 V
Continuous total power dissipation	See Dissipation Rating Table
Operating free-air temperature range, T_A	0°C to 70°C
Storage temperature range	-65°C to 150°C
Lead temperature 1,6 mm (1/16 inch) from case for 10 seconds	260°C

NOTE 1: All voltage values are with respect to the network ground terminal.

DISSIPATION RATING TABLE

PACKAGE	$T_A \leq 25^\circ\text{C}$	DERATING FACTOR	
	POWER RATING	ABOVE $T_A = 25^\circ\text{C}$	$T_A = 70^\circ\text{C}$
D	950 mW	7.6 mW/°C	608 mW
N	1150 mW	9.2 mW/°C	736 mW

recommended operating conditions

	MIN	NOM	MAX	UNIT
Supply voltage, V_{CC}	4.75	5	5.25	V
High-level input voltage, V_{IH}	Driver, Enable	2		V
	Receiver	1.55		
Low-level input voltage, V_{IL}	Driver, Enable		0.8	V
	Receiver		1.15	
Operating free-air temperature, T_A	0		70	°C

SN751730 TRIPLE LINE DRIVERS/RECEIVERS

driver electrical characteristics over recommended ranges of supply voltage and operating free-air temperature (unless otherwise noted)

PARAMETER		TEST CONDITIONS		MIN	TYP	MAX	UNIT
V_{IK}	Input clamp voltage	$V_{CC} = 4.75\text{ V}$, $I_{IL} = -18\text{ mA}$				-1.5	V
V_{OH}	High-level output voltage	$V_{CC} = 4.75\text{ V}$, $V_{IH} = 2\text{ V}$, $I_{OH} = 59.3\text{ mA}$, $T_A = 25^\circ\text{C}$		3.11			V
		$V_{CC} = 5.25\text{ V}$, $V_{IH} = 2\text{ V}$, $I_{OH} = 78.1\text{ mA}$				4.10	
		$V_{CC} = 4.75\text{ V}$, $V_{IH} = 2\text{ V}$, $R_L = 51.4\ \Omega$		3.05			
		$V_{CC} = 5.25\text{ V}$, $V_{IH} = 2\text{ V}$, $R_L = 56.9\ \Omega$				4.20	
V_{ODH}	Differential high-level output voltage	$R_L = 46.3\ \Omega$ or $56.9\ \Omega$				0.50	V
V_{OL}	Low-level output voltage	$V_{CC} = 5.25\text{ V}$, $I_{OL} = -0.24\text{ mA}$				0.15	V
		$V_{IL} = 0.8\text{ V}$, $R_L = 56.9\ \Omega$ $V_{IH} = 4.5\text{ V}$				0.5	
I_{IH}	High-level input current	DI	$V_{CC} = 5.25\text{ V}$, $V_{IH} = 2.7\text{ V}$			20	μA
		DE				60	
I_{IL}	Low-level input current	DI	$V_{CC} = 5.25\text{ V}$, $V_{IL} = 0.4\text{ V}$			-400	μA
		DE				-1200	
I_{OH}	High-level output current	$V_{CC} = 4.75\text{ V}$, $V_{IL} = 0$				100	μA
		$V_{OH} = 5\text{ V}$, $V_{IH} = 4.5\text{ V}$				100	
I_{OS}	Short-circuit output current	$V_{CC} = 5.25\text{ V}$, $V_{IH} = 4.5\text{ V}$		-30			mA
I_{CCH}	Supply current (total package)	$V_{CC} = 5.25\text{ V}$, $V_{I(D)} = 4.5\text{ V}$, $V_{I(R)} = 0$				47	mA
I_{CCL}		No load, $V_{I(D)} = 0$, $V_{I(R)} = 4.5\text{ V}$				80	

driver switching characteristics, $V_{CC} = 5\text{ V} \pm 5\%$, $T_A = 25^\circ\text{C}$

PARAMETER		TEST CONDITIONS		MIN	TYP	MAX	UNIT
t_{PLH}	Propagation delay low to high level output	$R_L = 47.5\ \Omega$, See Figure 1		6.5	12	18.5	ns
t_{PHL}	Propagation delay time, high to low level output			6.5	12	∞	ns
Δt_{PD}	Differential propagation delay time†					10	ns
t_r	Output rise time	$V_{CC} = 5\text{ V}$, $V_O = 0.15$ to 3.05 V , $R_L = 47.5\ \Omega$, $C_L = 10.2\text{ pF}$		5	10		ns
t_f	Output fall time	See Figure 1		5	13		ns
SR	Slew rate	$V_O = 1$ to 3 V average, $R_L = 47.5\ \Omega$, $C_L = 10.2\text{ pF}$, See Figure 1				0.65	V/ns

$$\dagger \Delta t_{PD} = |t_{PLH} - t_{PHL}|$$

receiver electrical characteristics over recommended ranges of supply voltage and operating free-air temperature (unless otherwise noted)

PARAMETER		TEST CONDITIONS	MIN	TYP	MAX	UNIT
V_{OH}	High-level output voltage	$V_{CC} = 4.75\text{ V}$, $V_I = 1.15\text{ V}$, $I_{OH} = -400\ \mu\text{A}$	2.7			V
V_{OL}	Low-level output voltage	$V_{CC} = 4.75\text{ V}$, $V_{IH} = 1.55\text{ V}$			0.5 0.4	V
r_i	Input resistance	$V_{CC} = 0$, $V_I = 0.15\text{ to }3.9\text{ V}$	7.4		20	$k\Omega$
I_{IH}	High-level input current	$V_{CC} = 4.75\text{ V}$, $V_{IH} = 3.11\text{ V}$			0.42	mA
I_{IL}	Low-level input current	$V_{CC} = 5.25\text{ V}$, $V_{IL} = 0.15\text{ V}$	-0.24		0.04	mA
I_{OS}	Short-circuit output current, See Note 2	$V_{CC} = 5.25\text{ V}$, $V_{IL} = 0$	-20		-100	mA
I_{CCH}	Supply current (total package)	$V_{CC} = 5.25\text{ V}$, No load			47	mA
I_{CCL}						

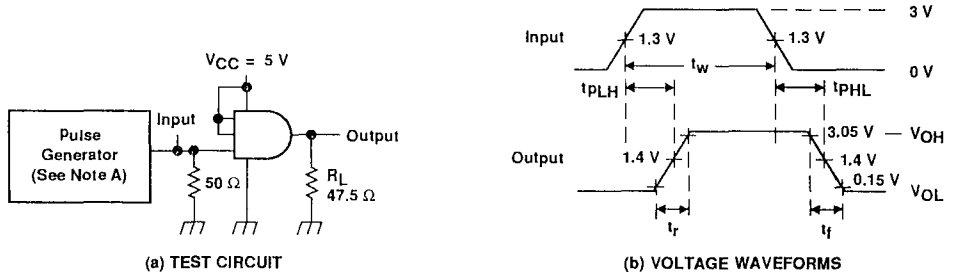
NOTE 2: Only one output should be shorted at a time, and duration of the short-circuit should not exceed one second.

receiver switching characteristics, $V_{CC} = 5\text{ V} \pm 5\%$, $T_A = 25^\circ\text{C}$

PARAMETER		TEST CONDITIONS	MIN	TYP	MAX	UNIT
t_{PLH}	Propagation delay time, low to high level output	$R_L = 2\text{ k}\Omega$, See Figure 2	7.5	12	19.5	ns
t_{PHL}	Propagation delay time, high to low level output					
Δt_{PD}	Differential propagation delay time [†]					

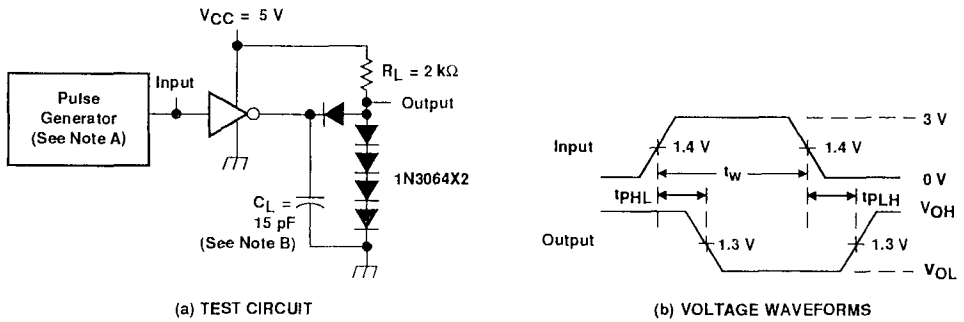
[†] $\Delta t_{PD} = |t_{PLH} - t_{PHL}|$

PARAMETER MEASUREMENT INFORMATION



NOTE A: The pulse generator has the following characteristics: $z_o \approx 50 \Omega$, $t_w \leq 500 \text{ ns}$, $\text{PRR} \leq 1 \text{ MHz}$, $t_f \leq 6 \text{ ns}$, $t_r \leq 15 \text{ ns}$

Figure 1. Driver Switching Times



NOTES: A. The pulse generator has the following characteristics: $z_o \approx 50 \Omega$, $t_w \leq 500 \text{ ns}$, $\text{PRR} \leq 1 \text{ MHz}$, $t_f \leq 10 \text{ ns}$, $t_r \leq 10 \text{ ns}$.
B. C_L includes probe and jig capacitance.

Figure 2. Receiver Switching Times

SN75ALS053 QUAD FUTUREBUS TRANSCEIVER

D3077, JANUARY 1988—REVISED SEPTEMBER 1989

- High-Speed Quad Transceiver
- Fully Compatible with IEEE Std 896.1—1987 Futurebus Requirements
- Drives Load Impedances as Low as 10 Ω
- High-Speed Advanced Low-Power Schottky Circuits
- Low Power Dissipation . . . 81 mW Max per Channel
- High-Impedance P-N-P Inputs
- BTL™ Logic Level 1-V Bus Swing Reduces Power Consumption
- Low Bus-Port Capacitance
- Power-Up/Power-Down Protection (Glitch-Free)
- Open-Collector Driver Outputs Allows Wired-OR Connections
- Multiple Bus Channel Ground Returns to Reduce Channel Noise Interference
- Designed to Be a Faster, Lower Power Functional Equivalent of National DS3893

description

The SN75ALS053 is a four-channel, monolithic, high-speed, advanced low-power Schottky device designed for two-way data communication in a densely populated backplane. The SN75ALS053 has independent driver input (Dn) and receiver output (Rn) pins and separate driver and receiver disables. This transceiver is designed for use in high-speed bus systems and is similar to the SN75ALS057 transceiver except that the trapezoidal feature has been eliminated to speed up the propagation delays.

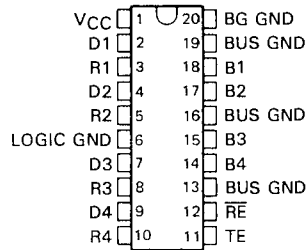
These transceivers feature open-collector driver outputs, each with a series Schottky diode to reduce capacitive loading to the bus. By using a 2-V pullup on the bus, the output signal swing will be approximately 1 V, which reduces the power necessary to drive the bus load capacitance. The driver outputs are capable of driving an equivalent dc load of as low as 10 Ω .

The receivers have a precision threshold set by an internal bandgap reference to give accurate input thresholds over VCC and temperature variations.

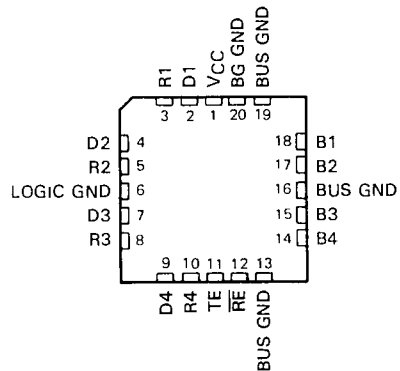
These transceivers are compatible with Backplane Transceiver Logic (BTL™) technology at significantly reduced power dissipation per channel.

The SN75ALS053 is characterized for operation from 0°C to 70°C.

N PACKAGE
(TOP VIEW)



FN CHIP CARRIER PACKAGE
(TOP VIEW)



BTL is a trademark of National Semiconductor Corporation.

PRODUCTION LITERATURE documents contain information for the user's application. Products conform to specifications for the time of Texas Instruments standard warranty. Price and processing does not necessarily include test of all parameters.

TEXAS
INSTRUMENTS

POST OFFICE BOX 855303 • DALLAS, TEXAS 75265

Copyright © 1989, Texas Instruments Incorporated

2-639

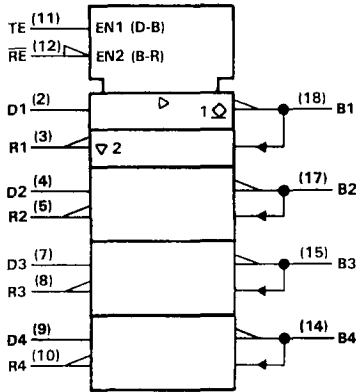
SN75ALS053 QUAD FUTUREBUS TRANSCEIVER

FUNCTION TABLE
TRANSMIT/RECEIVE

CONTROLS		CHANNELS	
TE	\overline{RE}	D → B	B → R
L	L	D	R
L	H	D	D
H	L	T	R
H	H	T	D

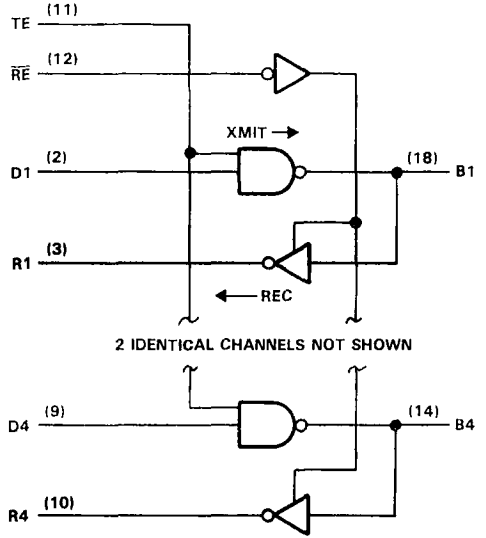
H = high level, L = low level, R = receive, T = transmit,
D = disable
Direction of data transmission is from Dn to Bn, direction of data
reception is from Bn to Rn.

logic symbol†

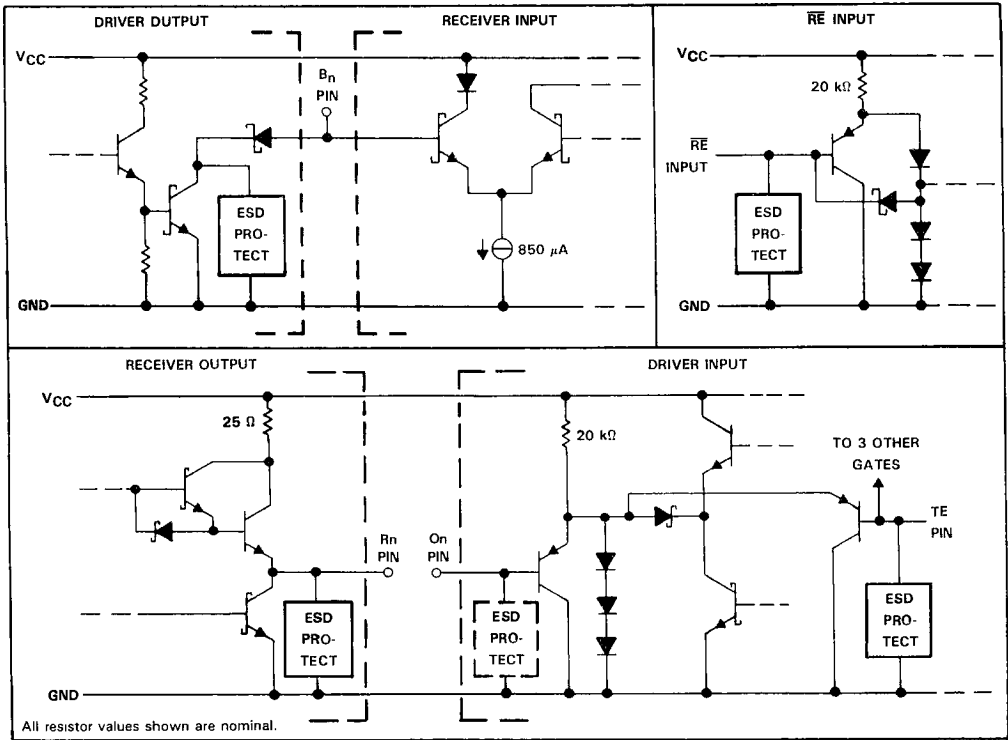


† This symbol is in accordance with ANSI/IEEE Std 91-1984 and IEC Publication 617-12.

logic diagram (positive logic)



schematics of inputs and outputs



absolute maximum ratings over operating free-air temperature range (unless otherwise noted)

Supply voltage, V_{CC} (see Note 1)	6 V
Control input voltage	5.5 V
Driver input voltage	5.5 V
Driver output voltage	2.5 V
Receiver input voltage	2.5 V
Receiver output voltage	5.5 V
Continuous total power dissipation	See Dissipation Rating Table
Operating free-air temperature range	0°C to 70°C
Storage temperature range	-65°C to 150°C
Case temperature for 10 seconds: FN package	260°C
Lead temperature 1,6 mm (1/16 in) from case for 10 seconds: N package	260°C

NOTE 1: Voltage values are with respect to network ground terminal.

SN75ALS053

QUAD FUTUREBUS TRANSCEIVER

DISSIPATION RATING TABLE

PACKAGE	$T_A \leq 25^\circ\text{C}$	OPERATING FACTOR		$T_A = 70^\circ\text{C}$
	POWER RATING	ABOVE $T_A = 25^\circ\text{C}$		POWER RATING
FN	1400 mW	11.2 mW/ $^\circ\text{C}$		896 mW
N	1150 mW	9.2 mW/ $^\circ\text{C}$		736 mW

recommended operating conditions

	MIN	NOM	MAX	UNIT
Supply voltage, V_{CC}	4.75	5	5.25	V
High-level driver and control input voltage, V_{IH}	2			V
Low-level driver and control input voltage, V_{IL}	0.8			V
Bus termination voltage	1.9	2.1		V
Operating free-air temperature, T_A	0			$^\circ\text{C}$

electrical characteristics over recommended ranges of operating free-air temperature and supply voltage (unless otherwise noted)

PARAMETER		TEST CONDITIONS	MIN	TYP	MAX	UNIT
V_{IK}	Input clamp voltage at Dn, OE, or \overline{RE}	$I_I = -18$ mA			-1.5	V
V_T	Receiver input threshold at Bn		1.5		1.674	V
V_{OH}	High-level output voltage at Rn	Bn at 1.2 V, \overline{RE} at 0.8 V, $I_{OH} = -1$ mA	2.5			V
V_{OL}	Low-level output voltage	Rn	Bn at 2 V, \overline{RE} at 0.8 V, $I_{OL} = 20$ mA		0.5	V
		Bn	Dn at 2.4 V, TE at 2.4 V, $V_L = 2$ V, $R_L = 10 \Omega$, See Figure 1	0.75	1.2	
I_{IH}	High-level input current	Dn, TE or \overline{RE}	$V_I = V_{CC}$		40	μA
		Bn	$V_I = 2$ V, $V_{CC} = 0$ or 5.25 V, Dn at 0.8 V, TE at 0.8 V		100	
I_{IL}	Low-level input current at Dn, TE or \overline{RE}	$V_I = 0.4$ V			-400	μA
I_{OS}	Short-circuit output current at Rn	Rn at 0 V, Bn at 1.2 V, \overline{RE} at 0.8 V	-70		-200	mA
I_{CC}	Supply current				65	mA
$C_{o(B)}$	Driver output capacitance	$V_{CC} = 5$ V, $T_A = 25^\circ\text{C}$		6.5		pF

switching characteristics over recommended ranges of operating free-air temperature and V_{CC} (unless otherwise noted)

driver

PARAMETER	FROM (INPUT)	TO (OUTPUT)	TEST CONDITIONS	MIN	MAX	UNIT
t_{PLH} Propagation delay time, low-to-high-level output	Dn	Bn	TE at 3 V, $V_L = 2$ V, See Figure 2	2	7	ns
t_{PHL} Propagation delay time high-to-low-level output				2	7	
t_{PLH} Propagation delay time, low-to-high-level output	Dn	Bn	Dn at 3 V, $V_L = 2$ V, See Figure 2	2	7	ns
t_{PHL} Propagation delay time, high-to-low-level output				2	7	
t_{TLH} Transition time, low-to-high-level output	Dn	Bn	TE at 3 V, $V_L = 2$ V, See Figure 2	0.5	5	ns
t_{THL} Transition time, high-to-low-level output				0.5	5	
Skew between driver channels [†]	Dn	Bn	TE at 3 V, $V_L = 2$ V		1	ns

receiver

PARAMETER	FROM (INPUT)	TO (OUTPUT)	TEST CONDITIONS	MIN	MAX	UNIT
t_{PLH} Propagation delay time, low-to-high-level output	Bn	Rn	\overline{RE} at 0.3 V, TE at 0.3 V, See Figure 3	2	8	ns
t_{PHL} Propagation delay time, high-to-low-level output				2	8	
t_{PLZ} Output disable time from low level	\overline{RE}	Rn	Bn at 2 V, TE at 0.3 V, $V_L = 5$ V, $C_L = 5$ pF, $R_{L1} = 500 \Omega$, See Figure 4		6	ns
t_{PZL} Output enable time to low level	\overline{RE}	Rn	Bn at 2 V, TE at 0.3 V, $V_L = 5$ V, $C_L = 5$ pF, $R_{L1} = 500 \Omega$, See Figure 4		12	ns
t_{PHZ} Output disable time from high level	\overline{RE}	Rn	Bn at 1 V, TE at 0.3 V, $V_L = 0$, $C_L = 5$ pF, $R_{L1} = 500 \Omega$, See Figure 4		6	ns
t_{PZH} Output enable time to high level	\overline{RE}	Rn	Bn at 1 V, TE at 0.3 V, $V_L = 0$, $C_L = 5$ pF, $R_{L1} = 500 \Omega$, See Figure 4		12	ns
Skew between receiver channels [†]	Bn	Rn	\overline{RE} at 0.3 V, TE at 0.3 V		1	ns

[†]Skew is the difference between the propagation delay time (t_{PLH} or t_{PHL}) of one receiver channel and that same propagation delay time of any other receiver channel. It applies for both t_{PLH} and t_{PHL} .

PARAMETER MEASUREMENT INFORMATION

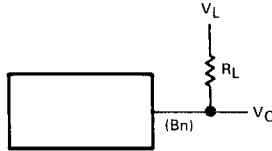
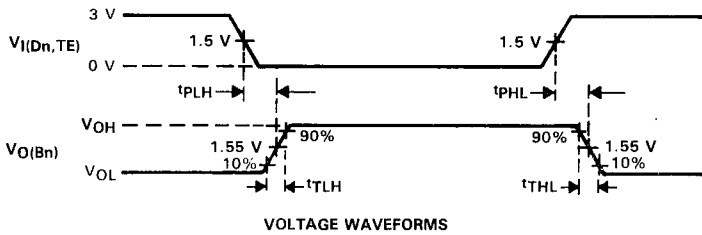
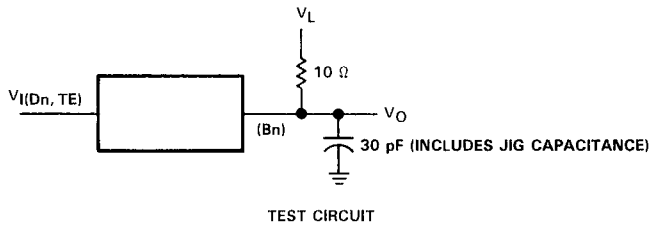


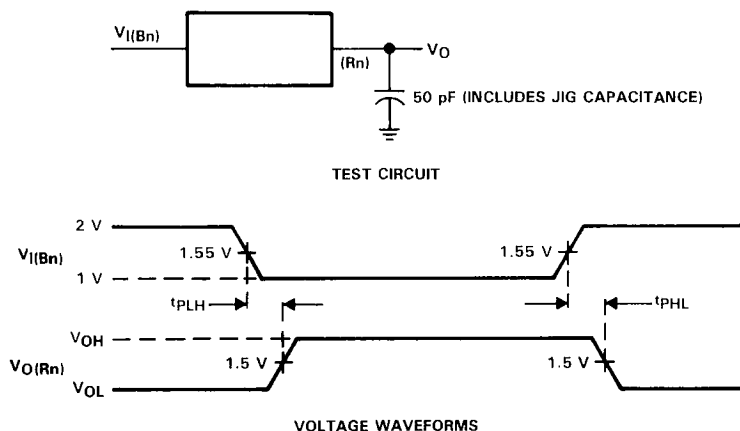
FIGURE 1. DRIVER LOW-LEVEL-OUTPUT-VOLTAGE TEST CIRCUIT



NOTE: $t_r = t_f \leq 5$ ns from 10% to 90%

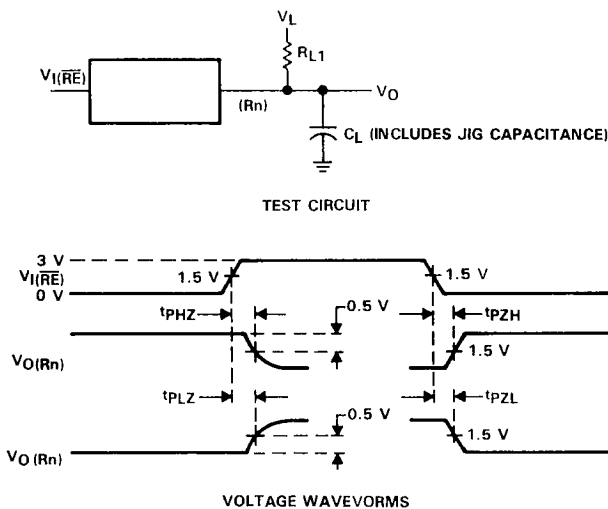
FIGURE 2. DRIVER PROPAGATION DELAY TIMES

PARAMETER MEASUREMENT INFORMATION



NOTE: $t_r = t_f \leq 10$ ns from 10% to 90%

FIGURE 3. RECEIVER PROPAGATION DELAY TIMES



NOTE: $t_r = t_f \leq 5$ ns from 10% to 90%

FIGURE 4. PROPAGATION DELAY FROM \overline{RE} TO Rn

SN75ALS056, SN75ALS057 TRAPEZOIDAL-WAVEFORM INTERFACE BUS TRANSCEIVERS

D3025, AUGUST 1987—REVISED JUNE 1990

- SN75ALS056 Is an Octal Transceiver
- SN75ALS057 Is a Quad Transceiver
- High-Speed Advanced Low-Power Schottky Circuitry
- Low Power Dissipation . . .
52.5 mW/Channel Max
- High-Impedance P-N-P Inputs
- Logic Level 1-V Bus Swing Reduces Power Consumption
- Trapezoidal Bus Output Waveform Reduces Noise Coupling to Adjacent Lines
- Power-Up/Down Protection (Glitch Free)
- Open-Collector Driver Outputs Allow Wired-OR Connections
- Designed to Be a Faster, Lower Power Functional Equivalent of National DS3896, DS3897

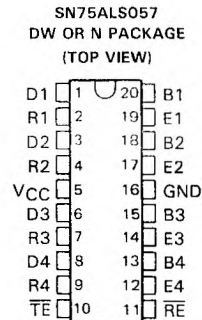
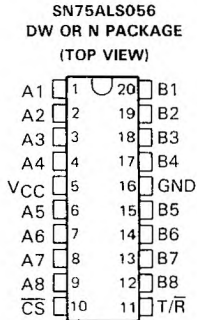
description

The SN75ALS056 is an 8-channel, monolithic, high-speed, advanced low-power Schottky device designed for 2-way data communication in a densely populated backplane. The SN75ALS057 is a 4-channel version with independent driver input (Dn) and receiver output (Rn) pins and a separate driver disable for each driver (En).

These transceivers feature open-collector driver outputs with a series Schottky diode to reduce capacitive loading to the bus. By using a 2-V pull-up termination on the bus, the output signal swing will be approximately 1 V, which reduces the power necessary to drive the bus load capacitance. The driver outputs generate trapezoidal waveforms that reduce crosstalk between channels. The drivers are capable of driving an equivalent dc load as low as 18.5 Ω .

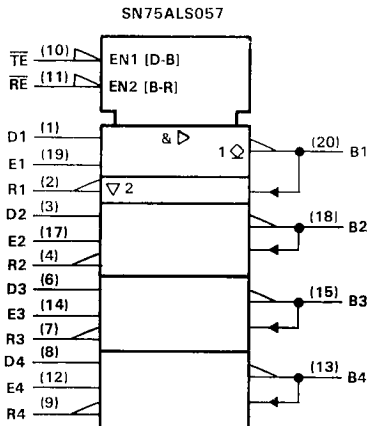
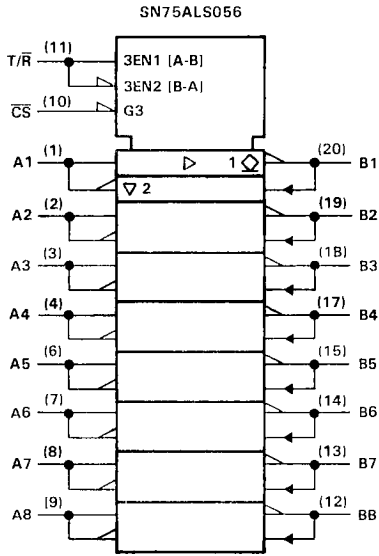
The receivers have internal low-pass filters to further improve noise immunity.

The SN75ALS056 and SN75ALS057 are characterized for operation from 0°C to 70°C.

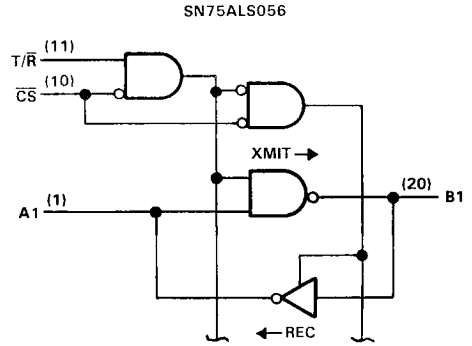


SN75ALS056, SN75ALS057 TRAPEZOIDAL-WAVEFORM INTERFACE BUS TRANSCEIVERS

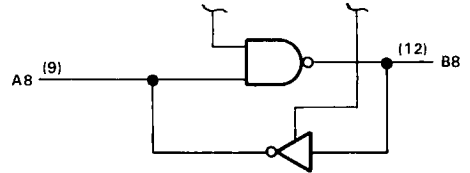
logic symbols†



logic diagrams (positive logic)



6 IDENTICAL CHANNELS NOT SHOWN



2 IDENTICAL CHANNELS NOT SHOWN

†These symbols are in accordance with ANSI/IEEE Std 91-1984 and IEC Publication 617-12.

SN75ALS056, SN75ALS057 TRAPEZOIDAL-WAVEFORM INTERFACE BUS TRANSCEIVERS

**SN75ALS056
FUNCTION TABLE
TRANSMIT/RECEIVE**

CONTROLS		CHANNELS
\overline{CS}	T/R	A ↔ B
L	H	T (A → B)
L	L	R (B → A)
H	X	D

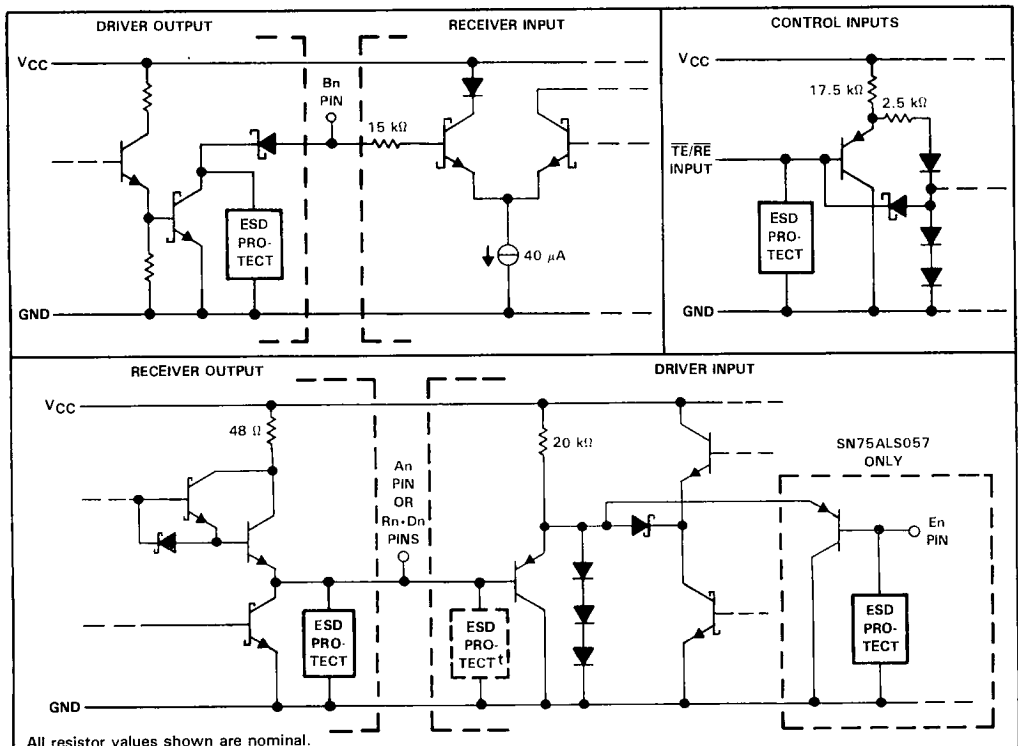
**SN75ALS057
FUNCTION TABLE
TRANSMIT/RECEIVE**

CONTROLS			CHANNELS	
\overline{TE}	\overline{RE}	En	D → B	B → R
L	L	L	D	R
L	L	H	T	R
L	H	L	D	D
L	H	H	T	D
H	L	X	D	R
H	H	X	D	D

H = high level, L = low level, R = receive, T = transmit, D = disable, X = irrelevant

Direction of data transmission is from An to Bn for the SN75ALS056 and from Dn to Bn for the SN75ALS057. Direction of data reception is from Bn to An for the SN75ALS056 and from Bn to Rn for the SN75ALS057. Data transfer is inverting in both directions.

schematics of inputs and outputs



†Additional ESD protection is on the SN75ALS057 only, which has separate receiver output and driver input pins.

SN75ALS056, SN75ALS057 TRAPEZOIDAL-WAVEFORM INTERFACE BUS TRANSCEIVERS

absolute maximum ratings over operating free-air temperature range (unless otherwise noted)

Supply voltage, V_{CC} (see Note 1)	6 V
Control input voltage	5.5 V
Driver input voltage	5.5 V
Driver output voltage	2.5 V
Receiver input voltage	2.5 V
Receiver output voltage	5.5 V
Continuous total power dissipation	See Dissipation Rating Table
Operating free-air temperature range	0°C to 70°C
Storage temperature range	-65°C to 150°C
Lead temperature 1,6 mm (1/16 inch) from case for 10 seconds	260°C

NOTE 1: Voltage values are with respect to network ground terminal.

DISSIPATION RATING TABLE

PACKAGE	$T_A \leq 25^\circ\text{C}$	DERATING FACTOR	
	POWER RATING	ABOVE $T_A = 25^\circ\text{C}$	$T_A = 70^\circ\text{C}$ POWER RATING
DW	1025 mW	8.2 mW/°C	656 mW
N	1150 mW	9.2 mW/°C	736 mW

recommended operating conditions

	MIN	NOM	MAX	UNIT
Supply voltage, V_{CC}	4.75	5	5.25	V
High-level driver and control input voltage, V_{IH}	2			V
Low-level driver and control input voltage, V_{IL}			0.8	V
Bus termination voltage	1.9		2.1	V
Operating free-air temperature, T_A	0		70	°C

SN75ALS056, SN75ALS057 TRAPEZOIDAL-WAVEFORM INTERFACE BUS TRANSCEIVERS

SN75ALS056 electrical characteristics over recommended ranges of operating free-air temperature and supply voltage (unless otherwise noted)

PARAMETER		TEST CONDITIONS	MIN	TYP [†]	MAX	UNIT
V _{IK}	Input clamp voltage at An, T/R, or CS	I _I = -18 mA			-1.5	V
V _T	Receiver input threshold at Bn		1.426		1.674	mV
V _{OH}	High-level output voltage at An	Bn at 1.2 V, CS at 0.8 V, T/R at 0.8 V, I _{OH} = -400 μA	2.4			V
V _{OL}	Low-level output voltage	An			0.5	V
		Bn	Bn at 2 V, CS at 0.8 V, T/R at 0.8 V, I _{OL} = 16 mA	0.75	1.2	
I _{IH}	High-level input current	An, T/R, or CS	V _I = V _{CC}		40	μA
		Bn	V _I = 2 V, V _{CC} = 0 or 5.25 V, An at 0.8 V, T/R at 0.8 V		100	
I _{IL}	Low-level input current at An, T/R, or CS	V _I = 0.4 V			-400	μA
I _{OS}	Short-circuit output current at An	An at 0 V, Bn at 1.2 V, CS at 0.8 V, T/R at 0.8 V	-40		-120	mA
I _{CC}	Supply current				75	mA
C _{O(B)}	Driver output capacitance			4.5		pF

SN75ALS057 electrical characteristics over recommended ranges of operating free-air temperature and supply voltage (unless otherwise noted)

PARAMETER		TEST CONDITIONS	MIN	TYP [†]	MAX	UNIT
V _{IK}	Input clamp voltage at Dn, En, TE, or RE	I _I = -18 mA			-1.5	V
V _T	Receiver input threshold at Bn		1426		1674	mV
V _{OH}	High-level output voltage at Rn	Bn at 1.2 V, RE at 0.8 V, I _{OH} = -400 μA	2.4			V
V _{OL}	Low-level output voltage	Rn			0.5	V
		Bn	Bn at 2 V, RE at 0.8 V, I _{OL} = 16 mA	0.75	1.2	
I _{IH}	High-level input current	Dn, En, TE, or RE	V _I = V _{CC}		40	μA
		Bn	V _I = 2 V, V _{CC} = 0 or 5.25 V, Dn at 0.8 V, En at 0.8 V, TE at 0.8 V		100	
I _{IL}	Low-level input current at Dn, En, TE, or RE	V _I = 0.4 V			-400	μA
I _{OS}	Short-circuit output current at Rn	Rn at 0, Bn at 1.2 V, RE at 0.8 V	-40		-120	mA
I _{CC}	Supply current				40	mA
C _{O(B)}	Driver output capacitance			4.5		pF

[†]All typical values are at V_{CC} = 5 V, T_A = 25°C.

SN75ALS056
TRAPEZOIDAL-WAVEFORM INTERFACE BUS TRANSCEIVER

switching characteristics over recommended ranges of operating free-air temperature and V_{CC} (unless otherwise noted)

driver

PARAMETER	FROM (INPUT)	TO (OUTPUT)	TEST CONDITIONS	MIN	TYP [†]	MAX	UNIT	
t_{PLH} Propagation delay time, low-to-high-level output	An	Bn	\overline{CS} at 0.8 V, T/\overline{R} at 2 V, $V_L = 2$ V, See Figure 2				19	ns
t_{PHL} Propagation delay time, high-to-low-level output							18	
t_{PLH} Propagation delay time, low-to-high-level output	\overline{CS}	Bn	An and T/\overline{R} at 2 V, $V_L = 2$ V, See Figure 2				24	ns
t_{PHL} Propagation delay time, high-to-low-level output							20	
t_{PLH} Propagation delay time, low-to-high-level output	T/\overline{R}	Bn	$V_I(A_n, B_n) = 5$ V, \overline{CS} at 0.8 V, R_{L2} not connected, $C_L = 30$ pF, $R_{L1} = 18$ Ω , See Figure 3				25	ns
t_{PHL} Propagation delay time, high-to-low-level output							35	
t_{TLH} Transition time, low-to-high-level output	An	Bn	\overline{CS} at 0.8 V, $V_L = 2$ V, T/\overline{R} at 2 V, See Figure 2	1	3	11	ns	
t_{THL} Transition time, high-to-low-level output				1	3	6		

[†] All typical values are at $V_{CC} = 5$ V, $T_A = 25^\circ\text{C}$.

SN75ALS056
TRAPEZOIDAL-WAVEFORM INTERFACE BUS TRANSCEIVER

switching characteristics over recommended ranges of operating free-air temperature and V_{CC} (unless otherwise noted)
receiver

PARAMETER	FROM (INPUT)	TO (OUTPUT)	TEST CONDITIONS	MIN	MAX	UNIT
t_{PLH} Propagation delay time, low-to-high-level output	Bn	An	\overline{CS} at 0.8 V, T/\overline{R} at 0.8 V, See Figure 4		18	ns
t_{PHL} Propagation delay time, high-to-low-level output					18	
t_{PLZ} Output disable time from low level	\overline{CS}	An	Bn at 2 V, T/\overline{R} at 0.8 V, $C_L = 5$ pF, $V_L = 5$ V, $R_{L1} = 390 \Omega$, R_{L2} not connected, See Figure 5		18	ns
t_{PZL} Output enable time to low level	\overline{CS}	An	Bn at 2 V, T/\overline{R} at 0.8 V, $C_L = 30$ pF, $V_L = 5$ V, $R_{L1} = 390 \Omega$, $R_{L2} = 1.6$ k Ω , See Figure 5		15	ns
t_{PHZ} Output disable time from high level	\overline{CS}	An	Bn at 0.8 V, T/\overline{R} at 0.8 V, $C_L = 5$ pF, $V_L = 0$, $R_{L1} = 390 \Omega$, R_{L2} not connected, See Figure 5		8	ns
t_{PZH} Output enable time to high level	\overline{CS}	An	Bn at 0.8 V, T/\overline{R} at 0.8 V, $C_L = 30$ pF, $V_L = 0$, R_{L1} not connected, $R_{L2} = 1.6$ k Ω , See Figure 5		17	ns
t_{PLZ} Output disable time from low level	T/\overline{R}	An	\overline{CS} at 0.8 V, $V_{I(A_n, B_n)} = 2$ V, $V_L = 5$ V, $R_{L1} = 390 \Omega$, R_{L2} not connected, $C_L = 5$ pF, See Figure 3		20	ns
t_{PZL} Output enable time to low level	T/\overline{R}	An	\overline{CS} at 0.8 V, $V_{I(A_n, B_n)} = 2$ V, $V_L = 5$ V, $R_{L1} = 390 \Omega$, $R_{L2} = 1.6$ k Ω , $C_L = 30$ pF, See Figure 3		40	ns
t_{PHZ} Output disable time from high level	T/\overline{R}	An	\overline{CS} at 0.8 V, $V_{I(A_n, B_n)} = 0$, $V_L = 0$, $R_{L1} = 390 \Omega$, R_{L2} not connected, $C_L = 5$ pF, See Figure 3		17	ns
t_{PZH} Output enable time to high level	T/\overline{R}	An	\overline{CS} at 0.8 V, $V_{I(A_n, B_n)} = 0$, $V_L = 0$, R_{L1} not connected, $R_{L2} = 1.6$ k Ω , $C_L = 30$ pF, See Figure 3		15	ns
$t_{w(NR)}$ Receiver noise rejection pulse duration	Bn	An or Rn	\overline{CS} at 0.8 V, T/\overline{R} at 0.8 V, See Figure 6	3		ns

SN75ALS057

TRAPEZOIDAL-WAVEFORM INTERFACE BUS TRANSCEIVER

switching characteristics over recommended ranges of operating free-air temperature and V_{CC} (unless otherwise noted)

driver

PARAMETER	FROM (INPUT)	TO (OUTPUT)	TEST CONDITIONS	MIN	TYP†	MAX	UNIT	
t_{PLH} Propagation delay time, low-to-high-level output	Dn or En	Bn	\overline{TE} at 0.8 V, $V_L = 2$ V, \overline{RE} at 2 V, See Figure 2				19	ns
t_{PHL} Propagation delay time, high-to-low-level output							18	
t_{PLH} Propagation delay time, low-to-high-level output	\overline{TE}	Bn	Dn, En, \overline{RE} at 2 V, $V_L = 2$ V, $R_{L1} = 18 \Omega$, See Figure 2				24	ns
t_{PHL} Propagation delay time, high-to-low-level output							20	
t_{TLH} Transition time, low-to-high-level output	Dn or En	Bn	\overline{RE} at 2 V, \overline{TE} at 0.8 V, $V_L = 2$ V, See Figure 2	1	3	11	ns	
t_{THL} Transition time, high-to-low-level output				1	3	6		

receiver

PARAMETER	FROM (INPUT)	TO (OUTPUT)	TEST CONDITIONS	MIN	MAX	UNIT	
t_{PLH} Propagation delay time, low-to-high-level output	Bn	Rn	\overline{RE} at 0.8 V, \overline{TE} at 2 V, See Figure 4			18	ns
t_{PHL} Propagation delay time, high-to-low-level output						18	
t_{PLZ} Output disable time from low level	\overline{RE}	Rn	Bn at 2 V, \overline{TE} at 2 V, $V_L = 5$ V, $C_L = 5$ pF, $R_{L1} = 390 \Omega$, R_{L2} not connected, See Figure 5			18	ns
t_{PZL} Output enable time to low level	\overline{RE}	Rn	Bn at 2 V, \overline{TE} at 2 V, $V_L = 5$ V, $C_L = 30$ pF, $R_{L1} = 390 \Omega$, $R_{L2} 1.6$ k Ω , See Figure 5			15	ns
t_{PHZ} Output disable time from high level	\overline{RE}	Rn	Bn at 0.8 V, \overline{TE} at 2 V, $V_L = 0$, $C_L = 5$ pF, $R_{L1} = 390 \Omega$, R_{L2} not connected, See Figure 5			17	ns
t_{PZH} Output enable time to high level	\overline{RE}	Rn	Bn at 0.8 V, \overline{TE} at 2 V, $V_L = 0$, $C_L = 30$ pF, R_{L1} not connected, $R_{L2} = 1.6$ k Ω , See Figure 5			17	ns
$t_{w(NR)}$ Receiver noise rejection pulse duration	Bn	Cn	\overline{TE} at 2.0 V, \overline{RE} at 0.8 V, See Figure 6	3			ns

driver plus receiver

PARAMETER	FROM (INPUT)	TO (OUTPUT)	TEST CONDITIONS	MIN	MAX	UNIT	
t_{PLH} Propagation delay time, low-to-high-level output	Dn	Rn	\overline{RE} at 0.8 V, \overline{TE} at 0.8 V, See Figure 7			40	ns
t_{PHL} Propagation delay time, high-to-low-level output						40	

†All typical values are at $V_{CC} = 5$ V, $T_A = 25^\circ\text{C}$.



SN75ALS056, SN75ALS057
TRAPEZOIDAL-WAVEFORM INTERFACE BUS TRANSCEIVERS

PARAMETER MEASUREMENT INFORMATION

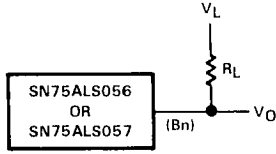
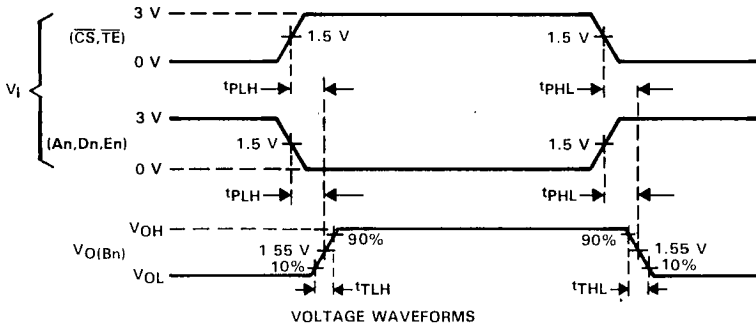
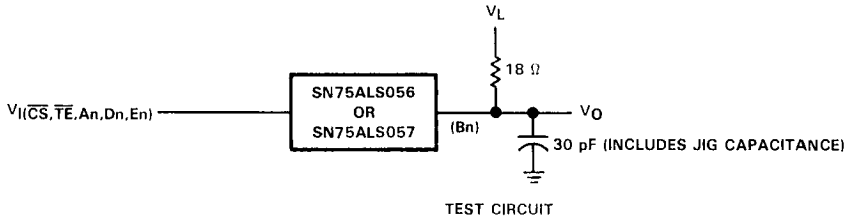


FIGURE 1. DRIVER LOW-LEVEL-OUTPUT-VOLTAGE TEST CIRCUIT

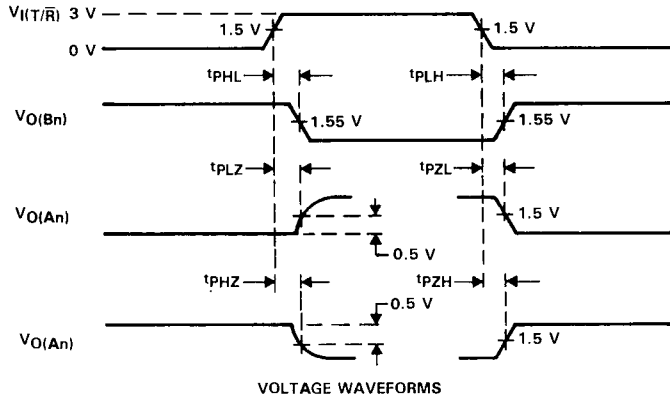
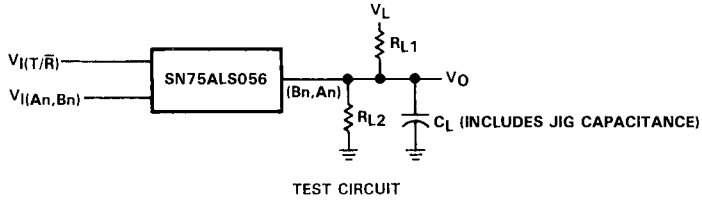


NOTE: $t_r = t_f \leq 5$ ns from 10% to 90%

FIGURE 2. DRIVER PROPAGATION DELAY TIMES

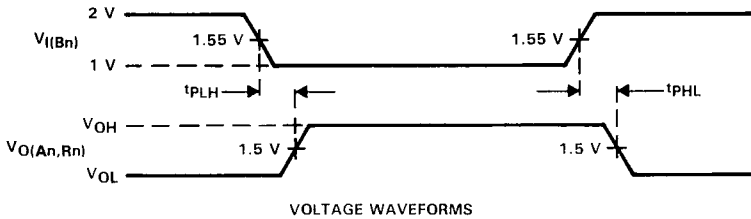
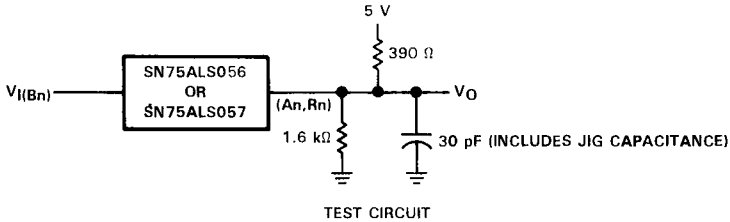
SN75ALS056, SN75ALS057
TRAPEZOIDAL-WAVEFORM INTERFACE BUS TRANSCEIVERS

PARAMETER MEASUREMENT INFORMATION



NOTE: $t_r = t_f \leq 5$ ns from 10% to 90%

FIGURE 3. PROPAGATION DELAY FROM T/R-bar TO An OR Bn

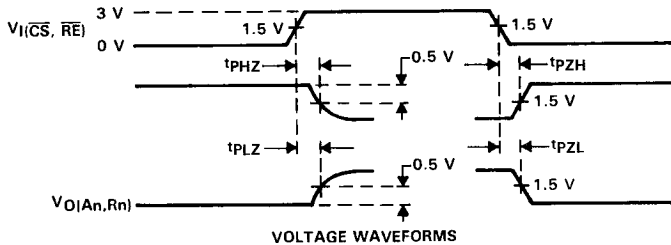
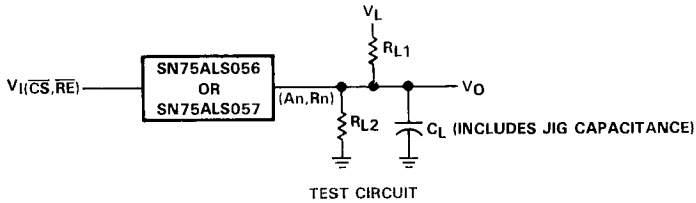


NOTE: $t_r = t_f \leq 10$ ns from 10% to 90%

FIGURE 4. RECEIVER PROPAGATION DELAY TIMES

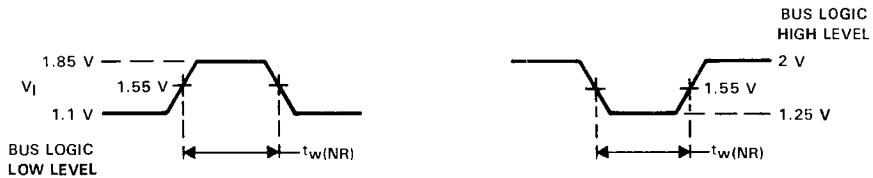
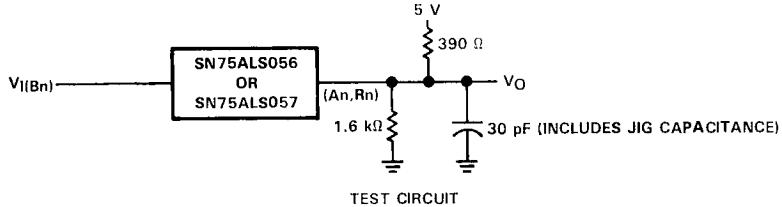
SN75ALS056, SN75ALS057 TRAPEZOIDAL-WAVEFORM INTERFACE BUS TRANSCEIVERS

PARAMETER MEASUREMENT INFORMATION



NOTE: $t_r = t_f \leq 5$ ns from 10% to 90%

FIGURE 5. PROPAGATION DELAY FROM \overline{CS} TO A_n OR \overline{RE} TO R_n



t_w is increased until the output voltage fall just reaches 2 V. t_w is increased until the output voltage rise just reaches 0.8 V.

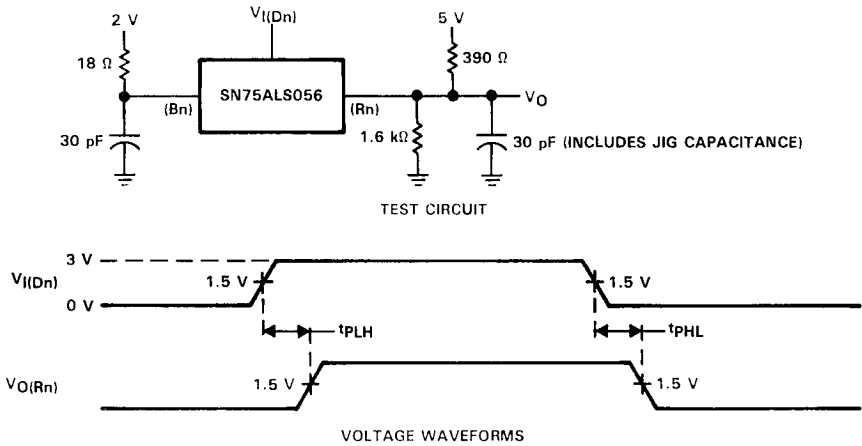
VOLTAGE WAVEFORMS

NOTE: $t_r = t_f \leq 2$ ns from 10% to 90%

FIGURE 6. RECEIVER NOISE IMMUNITY

**SN75ALS056, SN75ALS057
TRAPEZOIDAL-WAVEFORM INTERFACE BUS TRANSCEIVERS**

PARAMETER MEASUREMENT INFORMATION



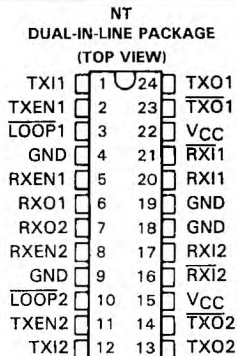
NOTE: $t_r = t_f \leq 5$ ns from 10% to 90%

FIGURE 7. DRIVER PLUS RECEIVER DELAY TIMES

SN75ALS085 LAN ACCESS UNIT INTERFACE DUAL DRIVER/RECEIVER

D3279, APRIL 1989

- Compatible with IOS 8802.3:1989 and ANSI/IEEE Std 802.3-1988
- Interdevice Loop-Back Paths for System Testing
- Squelch Function Implemented on the Receiver Inputs
- Drivers Will Drive a Balanced 78-Ω Load
- Transformer Coupling Not Required in System
- Power-Up/Power-Down Protection (Glitch-Free)
- Isolated Ground Pins for Reduced Noise Coupling
- Fault-Condition Protection Built into the Device
- Driver Inputs Are Level-Shifted ECL Compatible



description

The SN75ALS085 is a monolithic, high-speed, advanced low-power Schottky, dual-channel driver/receiver device designed for use in the AUI of ANSI/IEEE Std 802.3-1988. The two drivers on the device will drive a 78-Ω balanced, terminated twisted-pair transmission line up to a maximum length of 50 meters. In the off (idle) state, the drivers will maintain minimal differential output voltage on the twisted-pair line and, at the same time, remain within the required output common-mode range.

With the driver enable (TXEN) high, upon receiving the first falling edge into the driver input, the differential outputs will rise to full-amplitude output levels within 25 ns. The output amplitude will be maintained for the remainder of the packet. After the last positive packet edge transmitted into the driver, the driver will maintain a minimum of 70% of full differential output for a minimum of 200 ns, then decay down to a minimum level for the reset (idle) condition within 8 μs. Disabling the driver by taking the driver enable low will also force the output into the idle condition after the normal 8-μs timeout. While operating, the driver is able to withstand a set of fault conditions and not suffer damage due to the faults being applied. The drivers will power up in the idle state to ensure that no activity is placed on the twisted-pair cable that could be interpreted as network traffic.

The line receiver squelch function interfaces to a differential twisted-pair line terminated external to the device. The receiver squelch circuit allows differential receive signals to pass through as long as the input amplitude and pulse duration are greater than the minimum squelch threshold. This assures a good signal-to-noise ratio while the data path is active and prevents system noise from causing false data transitions during line shut down and line-idle conditions. The RXO outputs default to a high level and the RXEN outputs default to a low level while the squelch function is blocking the data path through the receiver (idle). The line receiver squelch will become active within 50 ns when the input squelch threshold is exceeded. The RXEN pin will be driven high while the squelch circuit is allowing data to pass through the receiver. The receiver squelch circuit will also withstand a set of fault conditions while operating without causing permanent damage to the device.

SN75ALS085
LAN ACCESS UNIT INTERFACE DUAL DRIVER/RECEIVER

The purpose of the loop functions is to provide a means by which system data path verification can be done to isolate faulty interfaces and assist in network diagnosis. The LOOP pins are TTL compatible and must be held high for normal operation. When LOOP1 is taken low, the output of driver 1 (TXO1) immediately goes into the idle state. Also, the input to receiver 1 is ignored and a path from TX11 to RXO1 is established. When LOOP1 is taken back high, driver 1 and receiver 1 revert back to their normal operation. When LOOP2 is taken low, a similar data path is established between TX11 and RXO2. TXEN1 must be high for the loop functions to operate and TXEN1 can be used to gate the loop function if desired. During loop operation, the respective receiver enable output (RXEN) will reflect the status of TXEN1.

RECEIVER FUNCTION TABLE
 LOOP = H

RXI	PREVIOUS RXEN	OUTPUTS	
		RXEN	RXO
$V_{ID} = 1315 \text{ mV to } -175 \text{ mV}, t_w < 25 \text{ ns}$	L	L	H
$V_{ID} = -275 \text{ mV to } -1315 \text{ mV}, t_w > 50 \text{ ns}$	X	H	L
$V_{ID} = 318 \text{ mV to } 1315 \text{ mV}, t_w < 130 \text{ ns}$	H	H	H
$V_{ID} = 318 \text{ mV to } 1315 \text{ mV}, t_w > 175 \text{ ns}$	X	L	H

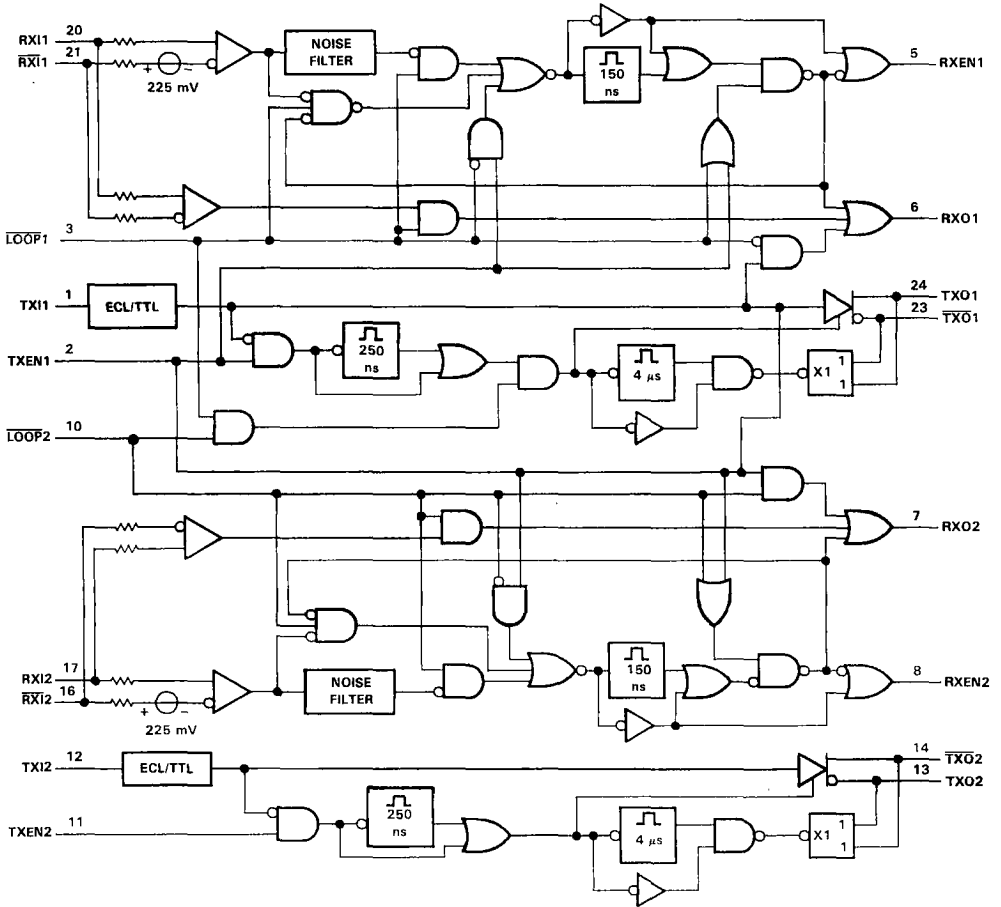
DRIVER FUNCTION TABLE
 LOOP = H

TXI	TXEN	PREVIOUS TXO	OUTPUT TXO
L	L	IDLE	IDLE
H	L	IDLE	IDLE
↓	H	IDLE	L
L	H	ACTIVE	L
$H < 200 \text{ ns}$	H	ACTIVE	H
$H > 8 \mu\text{s}$	H	ACTIVE	IDLE
L	$L > 8 \mu\text{s}$	ACTIVE	IDLE
$H < 200 \text{ ns}$	$L > 8 \mu\text{s}$	ACTIVE	IDLE
$H < 200 \text{ ns}$	$L < 200 \text{ ns}$	ACTIVE	H
$H > 8 \mu\text{s}$	$L < 200 \text{ ns}$	ACTIVE	IDLE
L	$L < 200 \text{ ns}$	ACTIVE	L

$H = V_I \geq V_T \text{ max}, L = V_I \leq V_T \text{ min}$

SN75ALS085
LAN ACCESS UNIT INTERFACE DUAL DRIVER/RECEIVER

logic diagram (positive logic)



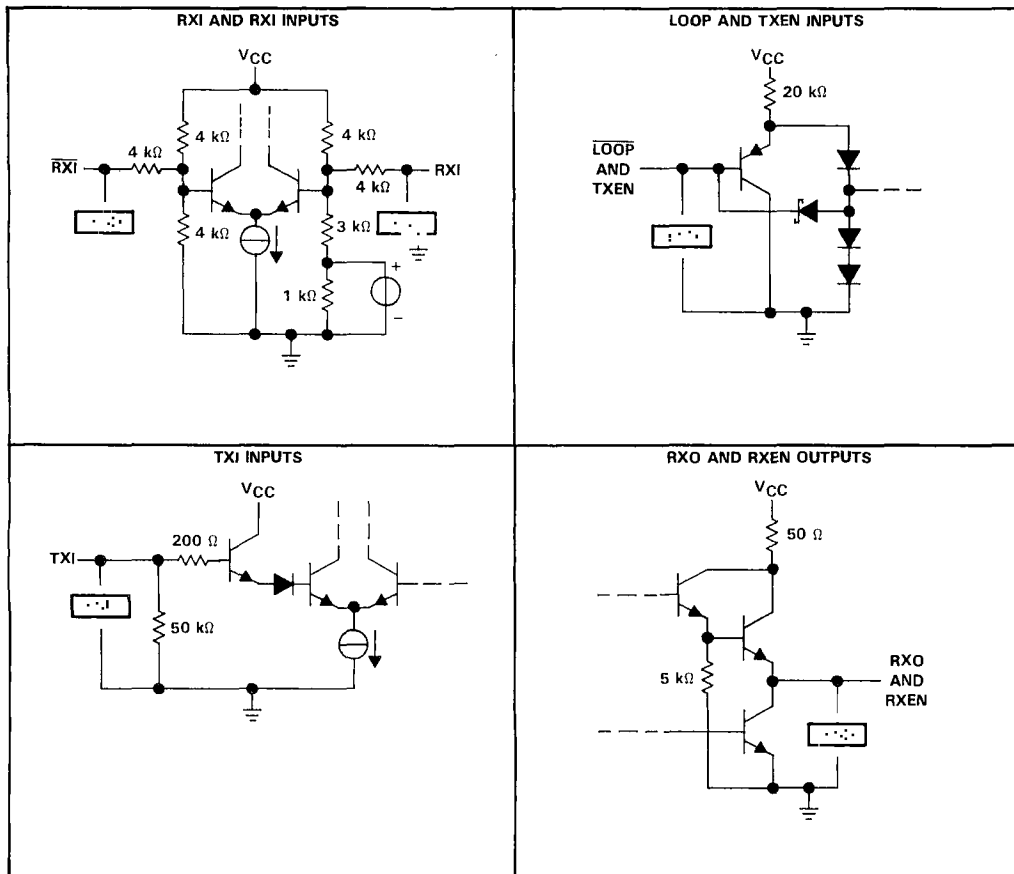
SN75ALS085 LAN ACCESS UNIT INTERFACE DUAL DRIVER/RECEIVER

LOOP FUNCTION TABLE

INPUTS						OUTPUTS				
LOOP1	LOOP2	TXI1	TXEN1	TXI2	TXEN2	RXI1	RXI2	RXI1	RXI2	TXEN1
L	L	L	H	X	X	L	L	H	H	IDLE
L	L	H	H	X	X	H	H	H	H	IDLE
L	L	X	L	X	X	H	H	L	L	IDLE
L	H	L	H	X	NORMAL	L	NORMAL	H	NORMAL	IDLE
L	H	H	H	X	NORMAL	H	NORMAL	H	NORMAL	IDLE
L	H	X	L	X	NORMAL	H	NORMAL	L	NORMAL	IDLE
H	L	L	H	NORMAL	X	NORMAL	L	NORMAL	H	IDLE
H	L	H	H	NORMAL	X	NORMAL	H	NORMAL	H	IDLE
H	L	X	L	NORMAL	X	NORMAL	H	NORMAL	L	IDLE
H	H	NORMAL	NORMAL	NORMAL	NORMAL	NORMAL	NORMAL	NORMAL	NORMAL	NORMAL

H = high level, L = low level, X = don't care

schematics of inputs and outputs



SN75ALS085

LAN ACCESS UNIT INTERFACE DUAL DRIVER/RECEIVER

absolute maximum ratings over operating free-air temperature range (unless otherwise noted)

Supply voltage, V_{CC} (see Note 1)	6 V
TXI and LOOP input voltage	5.5 V
TXO and TXO output voltage	16 V
RXI and RXI input voltage	16 V
RXO and RXEN output voltage	5.5 V
Continuous total power dissipation at (or below) 25°C (see Note 2)	1250 mW
Operating free-air temperature range	0°C to 70°C
Storage temperature range	-65°C to 150°C
Lead temperature 1,6 mm (1/16 inch) from case for 10 seconds	260°C

- NOTES: 1. Voltage values are with respect to network ground terminal.
 2. For operation above 25°C free-air temperature, derate linearly to 800 mW at 70°C at the rate of 10 mW/°C.

recommended operating conditions

	MIN	NOM	MAX	UNIT
Supply voltage, V_{CC}	4.75	5	5.25	V
non-mode voltage at RXI inputs, V_{IC}	1		4.2	V
differential voltage between RXI in, V_{ID}	±318		±1315	mV
High-level input voltage, LOOP and TXI, V_{IH}	2			V
Low-level input voltage, LOOP and TXI, V_{IL}			0.8	V
High-level output current, TXO and RXO, I_{OH}			-0.4	mA
Low-level output voltage, TXO and RXO, I_{OL}			16	mA
Setup time, Driver mode, TXI low before TXI \downarrow , t_{SU1} (see Figure 8)	10			ns
Setup time, Loop mode, TXI low before TXI \downarrow , t_{SU2} (see Figure 10)	15			ns
Setup time, Loop mode, TXFN high before TXI \downarrow , t_{SU3} (see Figure 10)	10			ns
Hold time, Loop mode, TXI high after TXI \downarrow , t_{H1} (see Figure 9)	10			ns
Hold time, Loop mode, TXFN low after TXI \downarrow , t_{H2} (see Figure 9)	15			ns
Operating free-air temperature, T_A	0		70	°C

SN75ALS085
LAN ACCESS UNIT INTERFACE DUAL DRIVER/RECEIVER

electrical characteristics over recommended ranges of operating free-air temperature and supply voltage (unless otherwise noted)

PARAMETER		TEST CONDITIONS		MIN	MAX	UNIT
V _{IK}	Clamp voltage at all inputs	I _I = -18 mA			-1.5	V
V _T	Driver input (TXI) threshold voltage	T _A = 0°C	V _{CC} = 4.75 V	3.202	3.752	V
			V _{CC} = 5 V	3.389	3.998	
			V _{CC} = 5.25 V	3.577	4.244	
		T _A = 25°C	V _{CC} = 4.75 V	3.213	3.797	V
			V _{CC} = 5 V	3.401	4.043	
			V _{CC} = 5.25 V	3.589	4.289	
		T _A = 70°C	V _{CC} = 4.75 V	3.401	3.849	V
			V _{CC} = 5 V	3.589	4.095	
			V _{CC} = 5.25 V	3.777	4.341	
V _{IDT}	Receiver differential input threshold voltage				-	mV
V _{OC}	Driver output (TXO) common-mode voltage	Idle	TXEN at 0.8 V, LOOP1 at 2 V, LOOP2 at 2 V, Figure 1	1	4.2	V
		Active	TXEN at 2 V, TXI at 2 V, LOOP2 at 2 V, TXI at 3.2 V, Figure 1	1	4.2	
		Active	TXEN at 2 V, LOOP1 at 2 V, LOOP2 at 2 V, TXI at 4.4 V, Figure 1	1	4.2	
V _{OD}	Driver output (TXO) differential voltage	Idle	TXEN at 0.8 V, LOOP1 at 2 V, LOOP2 at 2 V, Figure 1		±40	mV
		Active	TXEN at 2 V, TXI at 2 V, LOOP2 at 2 V, TXI at 3.2 V, Figure 1	-600	-1315	
		Active	TXEN at 2 V, LOOP1 at 2 V, LOOP2 at 2 V, TXI at 4.4 V, See Figure 1	600	1315	
V _{OH}	High-level output voltage	RXO, RXFN	I _{OH} = -0.4 mA	2.4		V
V _{OL}	Low-level output voltage		I _{OL} = 16 mA		0.5	V
I _{IH}	High-level input current	TXI	V _I = 2 V		20	μA
		RXI, RXI	V _I = 4.5 V		400	
I _{IL}	Low-level input current	TXI	V _I = -0.5 V, V _{IC} = 1 V to 4.2 V		1000	μA
		TXI	V _I = 0.8 V			
		TXI	V _I = 3.1 V			
		TXI	V _I = 0.3 V	4		
		RXI	V _{ID} = 0.5 V, V _{IC} = 1 V to 4.2 V		1000	
I _{OD}	Driver differential output current	Idle	TXEN at 0.8 V, LOOP1 at 2 V, LOOP2 at 2 V, See Figure 2		±4	mA
I _{OS}	Short-circuit output current†	RXO, RXEN	V _O at 0 V, RXI at 3 V, RXI at 2 V	-40	-150	mA
I _{CC}	Supply current		LOOP at 2 V, TXEN at 2 V, TXI at 4.5 V, Outputs open		225	mA

†Not more than one output should be shorted at a time, and the duration of the test should not exceed 1 second.



SN75ALS085
LAN ACCESS UNIT INTERFACE DUAL DRIVER/RECEIVER

electrical characteristics over recommended ranges of operating free-air temperature and supply voltage (unless otherwise noted) (continued)

PARAMETER	TEST CONDITIONS†	MIN	MAX	UNIT
Driver fault condition current	TXO shorted to $\overline{\text{TXO}}$, Current measured in short		150	mA
	TXO at 0 V, $\overline{\text{TXO}}$ is open, Current measured at TXO		150	
	TXO is open, $\overline{\text{TXO}}$ at 0 V, Current measured at $\overline{\text{TXO}}$		150	
	TXO at 0 V, $\overline{\text{TXO}}$ at 0 V, Current measured at TXO and $\overline{\text{TXO}}$		150	
	TXO at 16 V, $\overline{\text{TXO}}$ is open, Current measured at TXO		150	
	TXO is open, $\overline{\text{TXO}}$ at 16 V, Current measured at TXO		150	
	TXO at 16 V, $\overline{\text{TXO}}$ at 16 V, Current measured at TXO and $\overline{\text{TXO}}$		150	
	Receiver fault condition current	RXI shorted to $\overline{\text{RXI}}$, Current measured in short		
RXI at 0 V, $\overline{\text{RXI}}$ is open, Current measured at RXI			3	
RXI is open, $\overline{\text{RXI}}$ at 0 V, Current measured at $\overline{\text{RXI}}$			3	
RXI at 0 V, $\overline{\text{RXI}}$ at 0 V, Current measured at RXI and $\overline{\text{RXI}}$			3	
RXI at 16 V, $\overline{\text{RXI}}$ is open, Current measured at RXI			10	
RXI is open, $\overline{\text{RXI}}$ at 16 V, Current measured at $\overline{\text{RXI}}$			10	
RXI at 16 V, $\overline{\text{RXI}}$ at 16 V, Current measured at RXI and $\overline{\text{RXI}}$			10	

†Fault conditions should be measured on only one channel at a time.

SN75ALS085

LAN ACCESS UNIT INTERFACE DUAL DRIVER/RECEIVER

switching characteristics over recommended ranges of operating free-air temperature and V_{CC} (unless otherwise noted)

driver

PARAMETER	FROM (INPUT)	TO (OUTPUT)	TEST CONDITIONS	MIN	MAX	UNIT
t_{PLH} Propagation delay time, low-to-high level output	TXI	TXO, \overline{TXO}	TXEN at 2 V, See Figure 3		15	ns
t_{PHL} Propagation delay time, high-to-low level output	TXI	TXO, \overline{TXO}	TXEN at 2 V, See Figure 3		15	ns
t_{PIL} Propagation delay time, idle-to-low level output	TXI	TXO, \overline{TXO}	TXEN at 2 V, See Figure 4		25	ns
t_{PIL} Propagation delay time, idle-to-low level output	TXEN	TXO, \overline{TXO}	TXI at 3.2 V, See Figure 5		25	ns
t_{PH70} Propagation delay time, high-to-70% level output	TXI	TXO, \overline{TXO}	TXEN at 2 V, See Figure 6	200		ns
	TXI	TXO, \overline{TXO}	TXI at 4.4 V, See Figure 7			
t_{PHI} Propagation delay time, high-to-idle output	TXI	TXO, \overline{TXO}	TXEN at 2 V, See Figure 6		8000	ns
	TXEN	TXO, \overline{TXO}	TXI at 4.4 V, See Figure 7	200	8000	
V_U Driver output differential undershoot	TXI	TXO, \overline{TXO}	TXEN at 2 V, See Figure 6		-100	mV
t_{skew} Driver caused signal skew ($t_{PLH} - t_{PHL}$)	TXI	TXO, \overline{TXO}	TXEN at 2 V, See Figure 3		± 3	ns
t_r Rise time, TXO, \overline{TXO}			TXEN at 2 V, See Figure 3	1	5	ns
t_f Fall time, TXO, \overline{TXO}			TXEN at 2 V, See Figure 3	1	5	ns

receiver

PARAMETER	FROM (INPUT)	TO (OUTPUT)	TEST CONDITIONS	MIN	MAX	UNIT
t_{PLH} Propagation delay time, low-to-high level output	\overline{RXI} , RXI	R XO	$V_{IC} = 1\text{ V to }4.2\text{ V}$, See Figure 11		15	ns
t_{PHL} Propagation delay time, high-to-low level output	\overline{RXI} , RXI	R XO	$V_{IC} = 1\text{ V to }4.2\text{ V}$, See Figure 11		15	ns
t_{PLH} Start-up delay time, low-to-high level output	\overline{RXI} , RXI	R XEN	$V_{IC} = 1\text{ V to }4.2\text{ V}$, $V_{ID} = -500\text{ mV}$, See Figure 13		50	ns
t_{PHL} Shutdown delay time, high-to-low level output	\overline{RXI} , RXI	R XEN	$V_{IC} = 1\text{ V to }4.2\text{ V}$, $V_{ID} = 500\text{ mV}$, See Figure 13	130	175	ns
t_{skew} Receiver caused signal skew ($t_{PLH} - t_{PHL}$)	\overline{RXI} , RXI	R XO	$V_{IC} = 1\text{ V to }4.2\text{ V}$, $V_{ID} = 500\text{ mV}$, See Figure 11		± 3	ns
t_w Pulse duration at \overline{RXI} and RXI (to not activate squelch)			$V_{IC} = 1\text{ V to }4.2\text{ V}$, $V_{ID} = -175\text{ mV}$, See Figure 12	25		ns
t_w Pulse duration at \overline{RXI} and RXI (to activate squelch)			$V_{IC} = 1\text{ V to }4.2\text{ V}$, $V_{ID} = -275\text{ mV}$, See Figure 12		50	ns
t_{r1} Rise time, R XO			$V_{IC} = 1\text{ V to }4.2\text{ V}$, $V_{ID} = \pm 500\text{ mV}$, See Figure 11	1	8	ns
t_{r2} Rise time, R XEN			$V_{IC} = 1\text{ V to }4.2\text{ V}$, $V_{ID} = \pm 500\text{ mV}$, See Figure 13	1	8	ns
t_{f1} Fall time, R XO			$V_{IC} = 1\text{ V to }4.2\text{ V}$, $V_{ID} = \pm 500\text{ mV}$, See Figure 11	1	8	ns
t_{f2} Fall time, R XEN			$V_{IC} = 2.5\text{ V}$, $V_{ID} = \pm 500\text{ mV}$, See Figure 13	1	8	ns
t_{valid} R XO valid after R XEN high			See Figure 11	-10	15	ns

switching characteristics over recommended ranges of operating free-air temperature and V_{CC} (unless otherwise noted)

loop

PARAMETER	FROM (INPUT)	TO (OUTPUT)	TEST CONDITIONS	MIN	MAX	UNIT
t_{PLH} Propagation delay time, low-to-high level output	TXI	RXO	LOOP at 0.8 V, TXEN at 2 V, See Figure 14		30	ns
t_{PHL} Propagation delay time, high-to-low level output	TXI	RXO	LOOP at 0.8 V, TXEN at 2 V, See Figure 14		30	ns
t_{PLH} Propagation delay time, low-to-high level output	TXEN	RXEN	LOOP at 0.8 V, See Figure 15		50	ns
t_{PHL} Propagation delay time, high-to-low level output	TXEN	RXEN	LOOP at 0.8 V, See Figure 15		50	ns

PARAMETER MEASUREMENT INFORMATION

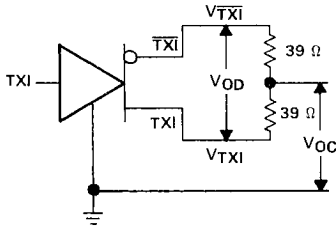


FIGURE 1

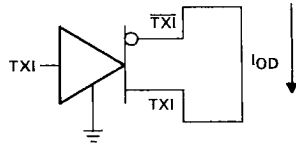
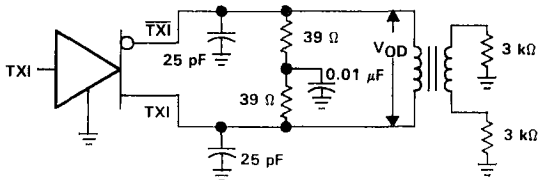


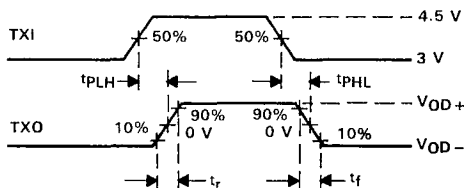
FIGURE 2

SN75ALS085
LAN ACCESS UNIT INTERFACE DUAL DRIVER/RECEIVER

PARAMETER MEASUREMENT INFORMATION



TEST CIRCUIT



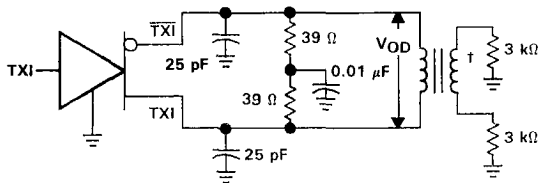
VOLTAGE WAVEFORMS

TRANSFORMER SPECIFICATIONS

Turns Ratio	1:1
Magnetizing Inductance	26 to 30 μ H
Winding Resistance	0.6 Ω Max
Rise Time 10% to 90%	5 ns Max
Interwinding Capacitance	25 pF
Leakage Inductance	0.25 μ H Max
Inductive Q	1250 Min

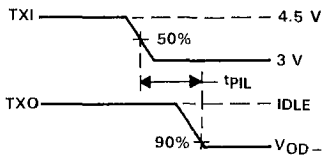
FIGURE 3

PARAMETER MEASUREMENT INFORMATION



†See Figure 3

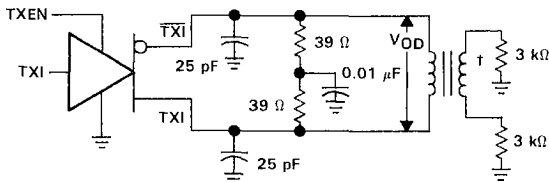
TEST CIRCUIT



VOLTAGE WAVEFORMS

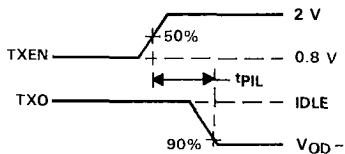
NOTE: Input $t_r \leq 5$ ns from 10% to 90%; $t_f \leq 5$ ns from 90% to 10%

FIGURE 4



†See Figure 3

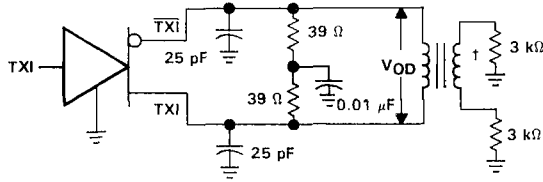
TEST CIRCUIT



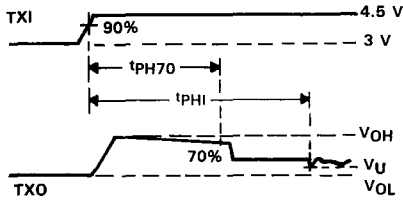
VOLTAGE WAVEFORMS

FIGURE 5

PARAMETER MEASUREMENT INFORMATION



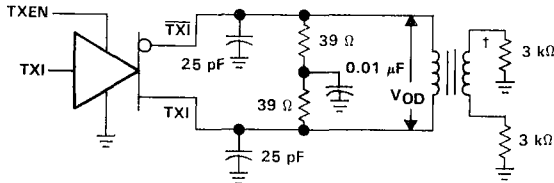
†See Figure 3 **TEST CIRCUIT**



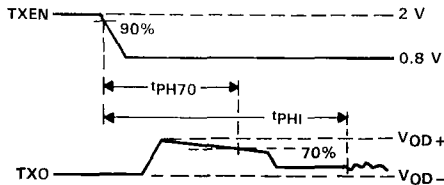
VOLTAGE WAVEFORMS

NOTE: Input $t_r \leq 5$ ns from 10% to 90%; $t_f \leq 5$ ns from 90% to 10%

FIGURE 6



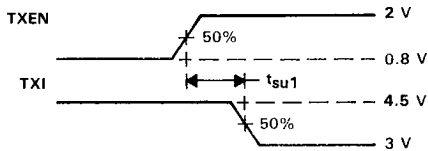
†See Figure 3 **TEST CIRCUIT**



VOLTAGE WAVEFORMS

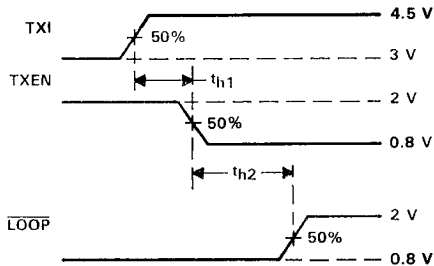
FIGURE 7

PARAMETER MEASUREMENT INFORMATION



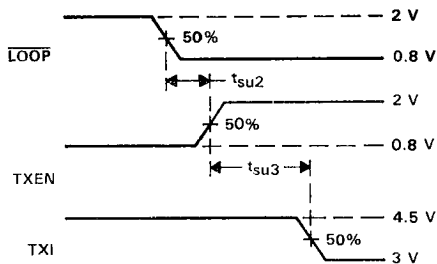
NOTE: Input $t_r \leq 5$ ns from 10% to 90%; $t_f \leq 5$ ns from 90% to 10%

FIGURE 8



NOTE: Input $t_r \leq 5$ ns from 10% to 90%; $t_f \leq 5$ ns from 90% to 10%

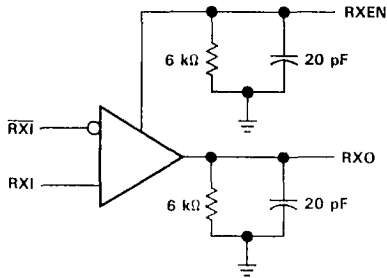
FIGURE 9



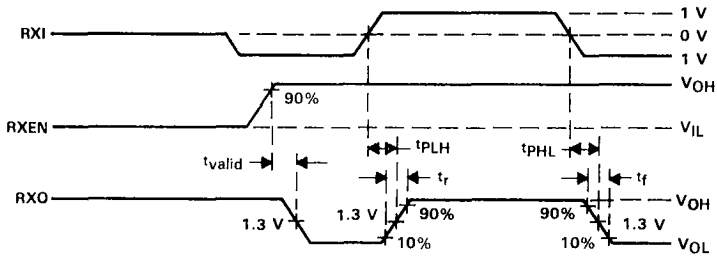
NOTE: Input $t_r \leq 5$ ns from 10% to 90%; $t_f \leq 5$ ns from 90% to 10%

FIGURE 10

PARAMETER MEASUREMENT INFORMATION



TEST CIRCUIT



VOLTAGE WAVEFORMS

NOTE: Input $t_r \leq 5$ ns from 10% to 90%; $t_f \leq 5$ ns from 90% to 10%

FIGURE 11

PARAMETER MEASUREMENT INFORMATION

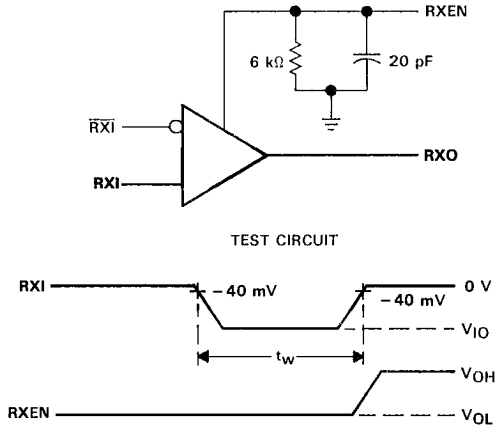
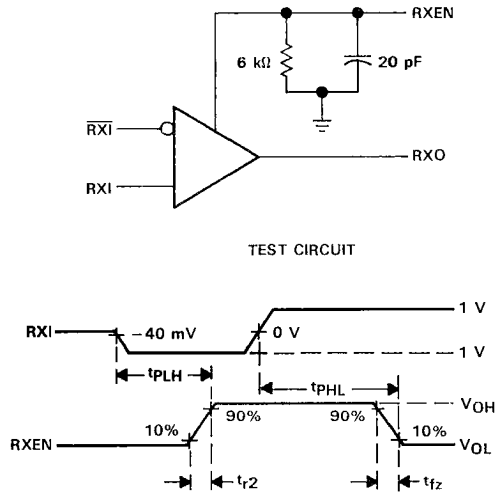


FIGURE 12

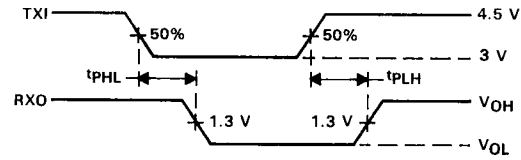


NOTE: Input $t_r \leq 5$ ns from 10% to 90%; $t_f \leq 5$ ns from 90% to 10%

FIGURE 13

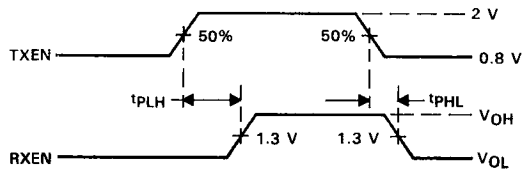
SN75ALS085
LAN ACCESS UNIT INTERFACE DUAL DRIVER/RECEIVER

PARAMETER MEASUREMENT INFORMATION



NOTE: Input $t_r \leq 5$ ns from 10% to 90%; $t_f \leq 5$ ns from 90% to 10%

FIGURE 14



NOTE: Input $t_r \leq 5$ ns from 10% to 90%; $t_f \leq 5$ ns from 90% to 10%

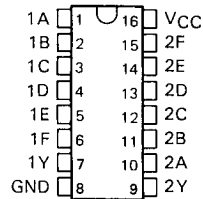
FIGURE 15

SN75ALS121 DUAL LINE DRIVER

D1334, SEPTEMBER 1987—REVISED AUGUST 1989

- Permits Digital Data Transmission over Coaxial Cable, Strip Line, or Twisted Pair
- Operates with 50-Ω to 500-Ω Transmission Lines
- TTL-Compatible with 5-V Supply
- 2.4-V Output at $I_{OH} = -75$ mA
- Uncommitted Emitter-Follower Output Structure for Party-Line Operation
- IMPACT™ Low-Power Schottky Technology
- Improved Replacement for the SN75121 and Signetics 8T13
- Glitchless Power-Up/Power-Down
- Short-Circuit Protection
- AND-OR Logic Configuration
- High Speed . . . Maximum Propagation Delay Time of 14 ns at $C_L = 15$ pF

D OR N PACKAGE
(TOP VIEW)



FUNCTION TABLE

INPUTS						OUTPUT
A	B	C	D	E	F	Y
H	H	H	H	X	X	H
X	X	X	X	H	H	H
All other input combinations						L

H = high level
L = low level
X = irrelevant

description

The SN75ALS121 dual line driver is designed for digital data transmission over lines having impedances from 50 to 500 Ω. It is compatible with standard TTL logic and supply voltage levels.

The low-impedance emitter-follower outputs drive terminated lines such as coaxial cable, strip line, or twisted pair. Having the outputs uncommitted allows wired-OR logic to be performed in party-line applications. Output short-circuit protection is provided by an internal clamping network that turns on when the output voltage drops below approximately 1.5 volts. All inputs are in conventional TTL configuration. Gating can be used during power-up and power-down sequences to ensure that no noise is introduced on the line.

The SN75ALS121 employs the IMPACT™ process to achieve fast switching speeds, low power dissipation, and reduced input current requirements.

The SN75ALS121 is characterized for operation from 0°C to 70°C.

IMPACT is a trademark of Texas Instruments Incorporated

FUNCTION DATA documents contain information of publication data. Products conform to standard warranty. Production processing does not necessarily include testing of all parameters.

**TEXAS
INSTRUMENTS**

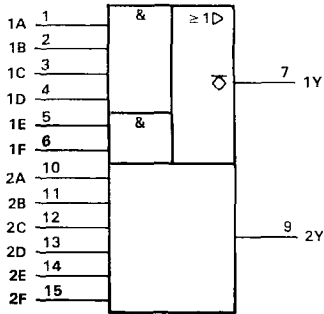
POST OFFICE BOX 655303 • DALLAS, TEXAS 75265

Copyright © 1989, Texas Instruments Incorporated

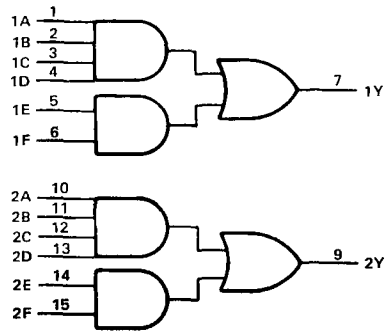
2-675

SN75ALS121 DUAL LINE DRIVER

logic symbol†

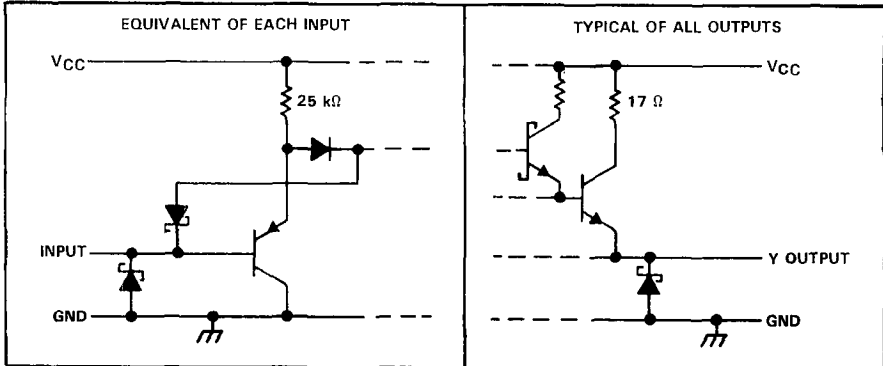


logic diagram (positive logic)



†This symbol is in accordance with ANSI/IEEE Std 91-1984 and IEC Publication 617-12.

schematics of inputs and outputs



absolute maximum ratings over operating free-air temperature range (unless otherwise noted)

Supply voltage, V_{CC} (see Note 1)	6 V
Input voltage	6 V
Output voltage	6 V
Continuous total dissipation at (or below) 25°C free air temperature (see Note 2):	
D package	950 mW
N package	1150 mW
Operating free-air temperature range	0°C to 70°C
Storage temperature range	-65°C to 150°C
Lead temperature 1,6 mm (1/16 inch) from case for 10 seconds	260°C

- NOTES: 1. All voltage values are with respect to network ground terminal.
 2. For operation above 25°C free-air temperature, derate the D package linearly to 608 mW at 70°C at the rate of 7.6 mW/°C and the N package to 736 mW at 70°C at the rate of 9.2 mW/°C.

recommended operating conditions

	MIN	NOM	MAX	UNIT
Supply voltage, V_{CC}	4.75	5	5.25	V
High-level input voltage, V_{IH}	2			V
Low-level input voltage, V_{IL}	0.8			V
High-level output current, I_{OH}	-75			mA
Operating free-air temperature range, T_A	0			°C

electrical characteristics over recommended ranges of supply voltage and operating free-air temperature (unless otherwise noted)

PARAMETER	TEST CONDITIONS			MIN	TYP†	MAX	UNIT
V_{IK} Input clamp voltage	$V_{CC} = 5\text{ V}$,	$I_I = -12\text{ mA}$				-1.5	V
$V_{(BR)}$ Input breakdown voltage	$V_{CC} = 5\text{ V}$,	$I_I = 10\text{ mA}$		5.5			V
V_{OH} High-level output voltage	$V_{IH} = 2\text{ V}$,	$I_{OH} = -75\text{ mA}$,	See Note 3	2.4	3.2		V
I_{OH} High-level output current	$V_{CC} = 5\text{ V}$,	$V_{IH} = 4.5\text{ V}$,	$V_{OH} = 2\text{ V}$,	-100	-200	-250	mA
	$T_A = 25^\circ\text{C}$,	See Note 3					
I_{OL} Low-level output current	$V_{IL} = 0.8\text{ V}$,	$V_{OL} = 0.4\text{ V}$,	See Note 3			-800	μA
$I_{O(off)}$ Off-state output current	$V_{CC} = 3\text{ V}$,	$V_O = 3\text{ V}$				500	μA
I_{IH} High-level input current	$V_I = 4.5\text{ V}$					40	μA
I_{IL} Low-level input current	$V_I = 0.4\text{ V}$					-250	μA
I_{OS} Short-circuit output current	$V_{CC} = 5\text{ V}$				-5	-30	mA
I_{CCH} Supply current, outputs high	$V_{CC} = 5.25\text{ V}$,	All inputs at 2 V,	No load		9	14	mA
I_{CCL} Supply current, outputs low	$V_{CC} = 5.25\text{ V}$,	All inputs at 0.8 V,	No load		13	30	mA

† All typical values are at $V_{CC} = 5\text{ V}$ and $T_A = 25^\circ\text{C}$.

NOTE 3: The output voltage and current limits are ensured for any appropriate combination of high and low inputs specified by the function table for the desired output.

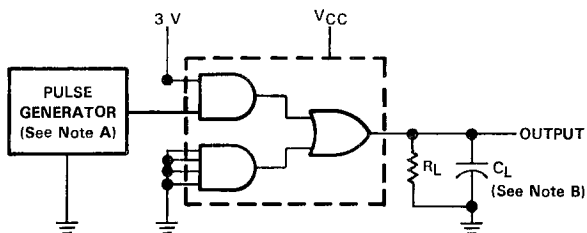
SN75ALS121 DUAL LINE DRIVER

switching characteristics over recommended ranges of supply voltage and operating free-air temperature

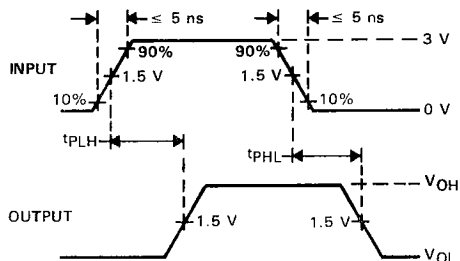
PARAMETER	TEST CONDITIONS	MIN	TYP	MAX	UNIT
t_{PLH} Propagation delay time, low-to-high-level output	$R_L = 37 \Omega$, $C_L = 15 \text{ pF}$, See Figure 1		6	14	ns
t_{PHL} Propagation delay time, high-to-low-level output			4	14	ns
t_{PLH} Propagation delay time, low-to-high-level output	$R_L = 37 \Omega$, $C_L = 1000 \text{ pF}$, See Figure 1		18	30	ns
t_{PHL} Propagation delay time, high-to-low-level output			29	50	ns

† All typical values are at $V_{CC} = 5 \text{ V}$ and $T_A = 25^\circ\text{C}$.

PARAMETER MEASUREMENT INFORMATION



TEST CIRCUIT



VOLTAGE WAVEFORMS

- NOTES: A. The pulse generator has the following characteristics: $Z_o = 50 \Omega$, $t_w = 200 \text{ ns}$, duty cycle = 50%.
B. C_L includes probe and jig capacitance.

FIGURE 1. SWITCHING CHARACTERISTICS

TYPICAL CHARACTERISTICS

OUTPUT CURRENT
vs
OUTPUT VOLTAGE

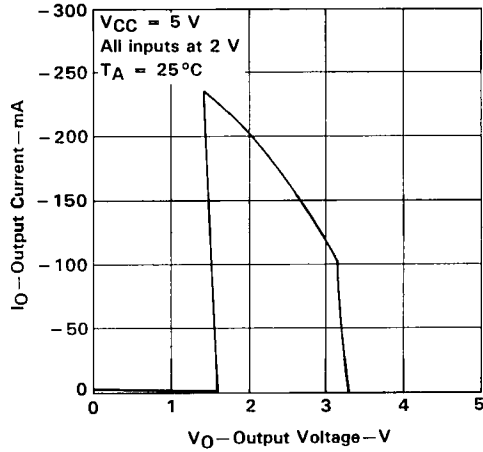
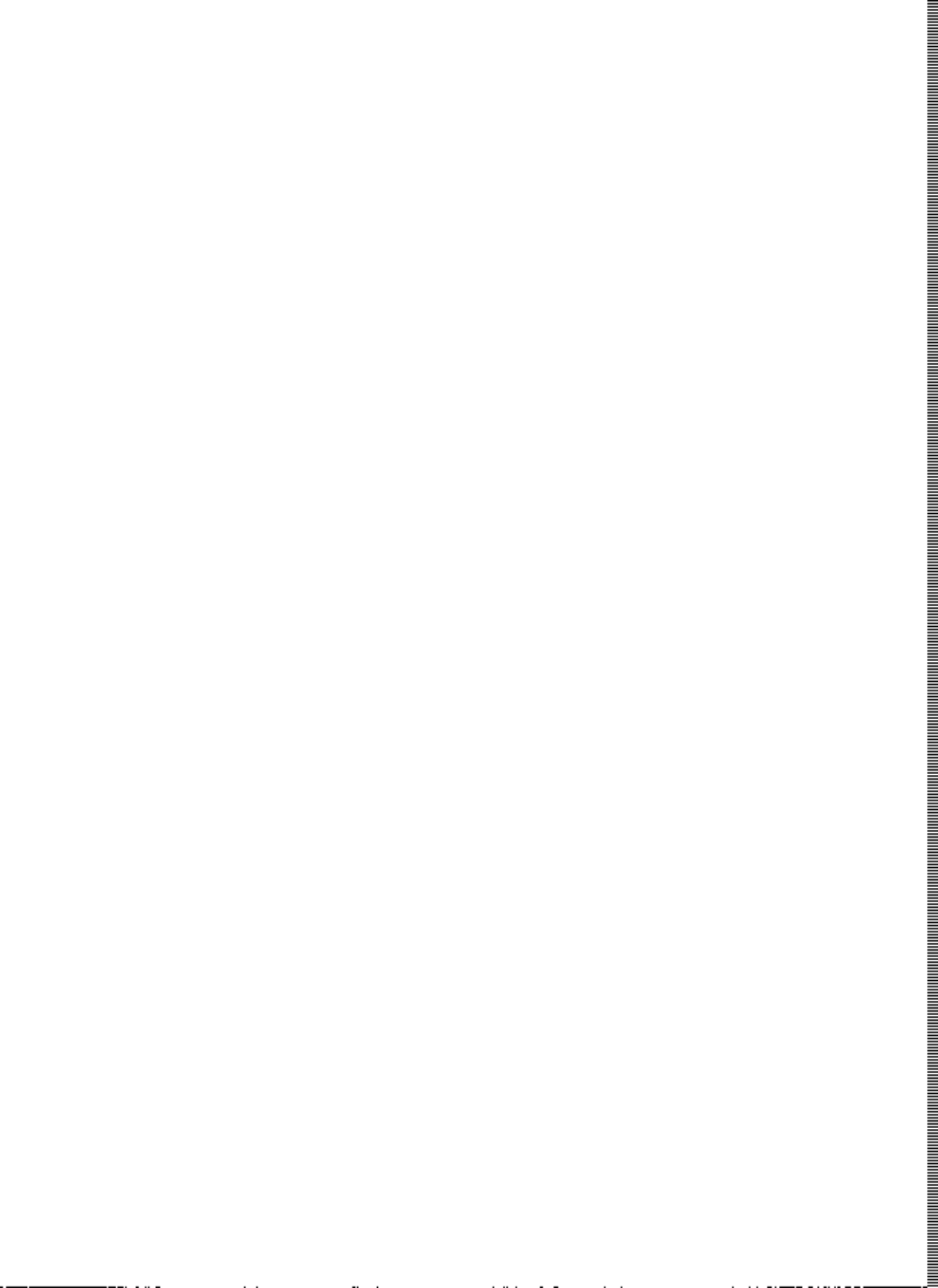


FIGURE 2

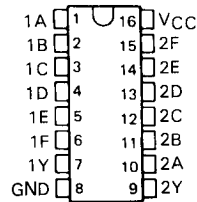


SN75ALS123 DUAL LINE DRIVER

D1332, SEPTEMBER 1987—REVISED AUGUST 1989

- Meets IBM 360 Input Interface Specifications
- Permits Digital Data Transmission over Coaxial Cable, Strip Line, or Twisted Pair
- TTL-Compatible with 5-V Supply
- 3.11-V Output at $I_{OH} = -59.3$ mA
- Uncommitted Emitter-Follower Output Structure for Party-Line Operation
- IMPACT™ Low-Power Schottky Technology
- Improved Replacement for the SN75123 and Signetics 8T13
- Glitchless Power-Up/Power-Down
- Short-Circuit Protection
- AND-OR Logic Configuration
- High Speed . . . Maximum Propagation Delay Time of 14 ns at $C_L = 15$ pF

D OR N PACKAGE
(TOP VIEW)



FUNCTION TABLE

INPUTS						OUTPUT
A	B	C	D	E	F	Y
H	H	H	H	X	X	H
X	X	X	X	H	H	H
All other input combinations						L

H = high level L = low level X = irrelevant

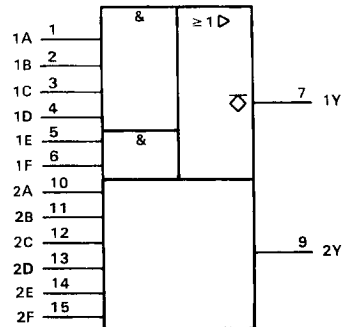
description

The SN75ALS123 dual line driver is specifically designed to meet the input interface specifications for the IBM System 360. It is compatible with standard TTL logic and supply voltage levels. The low-impedance, emitter-follower outputs drive terminated lines such as coaxial cable, strip line, or twisted pair. The uncommitted output allows wired-OR logic to be performed in party-line applications. Output short-circuit protection is provided by an internal clamping network that turns on when the output voltage drops below approximately 1.5 V. All inputs are in conventional TTL configuration. Gating can be used during power-up and power-down sequences to ensure that no noise is introduced on the line.

The SN75ALS123 employs the IMPACT™ process to achieve fast switching speeds, low power dissipation, and reduced input current requirements.

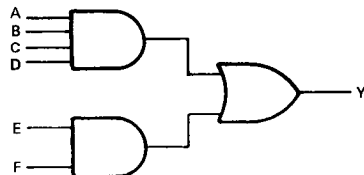
The SN75ALS123 is characterized for operation from 0°C to 70°C.

logic symbol†



† This symbol is in accordance with ANSI/IEEE Std 91-1984 and IEC Publication 617-12.

logic diagram, each driver (positive logic)



IMPACT is a trademark of Texas Instruments Incorporated.

PRODUCTION DATA documents contain information as of publication date. Products conform to specifications per the terms of Texas Instruments standard warranty. Production processing does not necessarily include testing of all parameters.

TEXAS
INSTRUMENTS

POST OFFICE BOX 655303 • DALLAS, TEXAS 75265

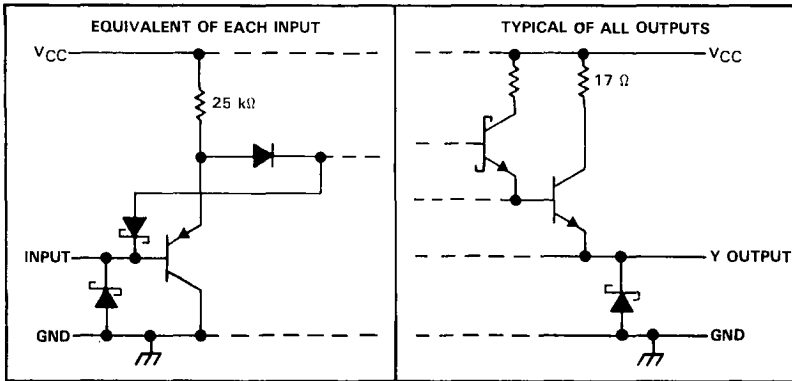
Copyright © 1989, Texas Instruments Incorporated

2-681

SN75ALS123

DUAL LINE DRIVER

schematics of inputs and outputs



absolute maximum ratings over operating free-air temperature range (unless otherwise noted)

Supply voltage, V_{CC} (see Note 1)	7 V
Input voltage	5.5 V
Output voltage	6 V
Continuous total dissipation at (or below) 25°C free air temperature (see Note 2):	
D package	950 mW
N package	1150 mW
Operating free-air temperature range	0°C to 70°C
Storage temperature range	-65°C to 150°C
Lead temperature 1,6 mm (1/16 inch) from case for 10 seconds	260°C

- NOTES: 1. All voltage values are with respect to network ground terminal.
 2. For operation above 25°C free-air temperature, derate the D package to 608 mW at 70°C at the rate of 7.6 mW/°C and the N package to 736 mW at 70°C at the rate of 9.2 mW/°C.

recommended operating conditions

	MIN	NOM	MAX	UNIT
Supply voltage, V_{CC}	4.75	5	5.25	V
High-level input voltage, V_{IH}	2			V
Low-level input voltage, V_{IL}			0.8	V
High-level output current, I_{OH}			-100	mA
Operating free-air temperature range, T_A	0		70	°C

electrical characteristics over recommended ranges of supply voltage and operating free-air temperature (unless otherwise noted)

PARAMETER	TEST CONDITIONS	MIN	TYP†	MAX	UNIT
V_{IK} Input clamp voltage	$V_{CC} = 5\text{ V}$, $I_I = -12\text{ mA}$			-1.5	V
$V_{(BR)}$ Input breakdown voltage	$V_{CC} = 5\text{ V}$, $I_I = 10\text{ mA}$	5.5			V
V_{OH} High-level output voltage	$V_{CC} = 5\text{ V}$, $V_{IH} = 2\text{ V}$, $I_{OH} = -59.3\text{ mA}$, See Note 3		2.9		V
	$V_{CC} = 5\text{ V}$, $V_{IH} = 2\text{ V}$, $I_{OH} = -59.3\text{ mA}$, $T_A = 25^\circ\text{C}$, See Note 3	3.11	3.3		
V_{OL} Low-level output voltage	$V_{IL} = 0.8\text{ V}$, $I_{OL} = -240\text{ }\mu\text{A}$, See Note 2			0.15	V
I_{OH} High-level output current	$V_{CC} = 5\text{ V}$, $V_{IH} = 4.5\text{ V}$, $V_{OH} = 2\text{ V}$, $T_A = 25^\circ\text{C}$, See Note 3	-100	-200	-250	mA
$I_{O(off)}$ Off-state output current	$V_{CC} = 0$, $V_O = 3\text{ V}$			40	μA
I_{IH} High-level input current	$V_I = 4.5\text{ V}$			40	μA
I_{IL} Low-level input current	$V_I = 0.4\text{ V}$			-	μA
I_{OS} Short-circuit output current	$V_{CC} = 5\text{ V}$			-5	mA
I_{CCH} Supply current, outputs high	$V_{CC} = 5.25\text{ V}$, All inputs at 2 V, No load			9	mA
I_{CCL} Supply current, outputs low	$V_{CC} = 5.25\text{ V}$, All inputs at 0.8 V, No load			13	mA

NOTE 3. The output voltage and current limits are ensured for any appropriate combination of high and low inputs specified by the function table for the desired output.

switching characteristics over recommended ranges of supply voltage and operating free-air temperature

PARAMETER	TEST CONDITIONS	MIN	TYP†	MAX	UNIT
t_{PLH} Propagation delay time, low-to-high-level output	$R_L = 50\text{ }\Omega$, $C_L = 15\text{ pF}$, See Figure 1		4	14	ns
t_{PHL} Propagation delay time, high-to-low-level output			5	14	ns
t_{PLH} Propagation delay time, low-to-high-level output	$R_L = 50\text{ }\Omega$, $C_L = 100\text{ pF}$, See Figure 1		8	20	ns
t_{PHL} Propagation delay time, high-to-low-level output			8	20	ns

†All typical values are at $V_{CC} = 5\text{ V}$ and $T_A = 25^\circ\text{C}$.

PARAMETER MEASUREMENT INFORMATION

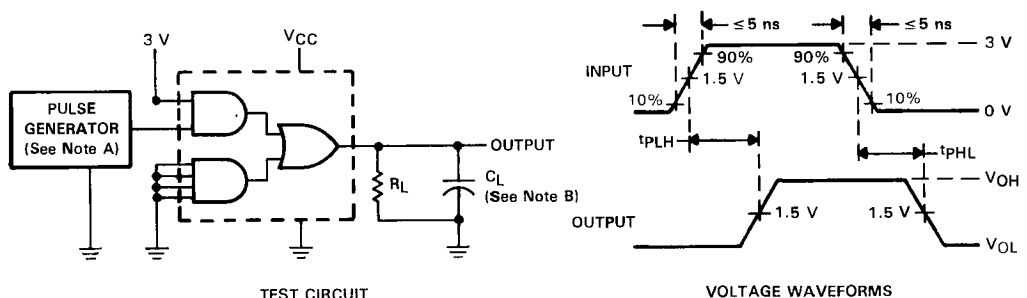


FIGURE 1. SWITCHING TIMES

NOTES: A. The pulse generator has the following characteristics: $Z_0 = 50\text{ }\Omega$, $t_w = 200\text{ ns}$, duty cycle = 50%.
B. C_L includes probe and jig capacitance.

TYPICAL CHARACTERISTICS

OUTPUT CURRENT
vs
OUTPUT VOLTAGE

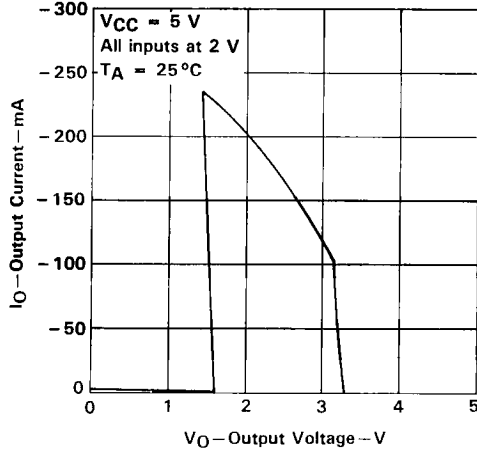


FIGURE 2

SN75ALS125, SN75ALS127 SEVEN-CHANNEL LINE RECEIVERS

D2239, APRIL 1987—REVISED AUGUST 1989

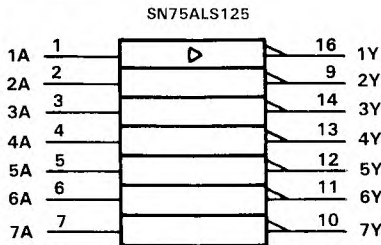
- Meets IBM 360/370 I/O Specification
- Input Resistance . . . 7 k Ω to 20 k Ω
- Output Compatible with TTL
- IMPACT™ Low-Power Schottky Technology
- Operates from Single 5-V Supply
- High Speed . . . Low Propagation Delay
- Ratio Specification for Propagation Delay Time, Low-to-High/High-to-Low
- Glitch-Free Power-Up and Power-Down
- Seven Channels in One 16-Pin Package
- Standard V_{CC} and Ground Positioning on SN75ALS127

description

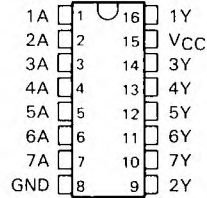
The SN75ALS125 and SN75ALS127 are monolithic seven-channel line receivers designed to satisfy the requirements of the IBM System 360/370 input/output interface specifications. Employing the IMPACT™ process allows low supply-current requirements while maintaining fast switching speeds and high-current TTL outputs.

The SN75ALS125 and SN75ALS127 are characterized for operation from 0°C to 70°C.

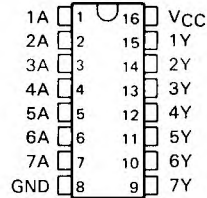
logic symbols†



SN75ALS125 . . . D, J, OR N PACKAGE
(TOP VIEW)



SN75ALS127 . . . D, J, OR N PACKAGE
(TOP VIEW)



†These symbols are in accordance with ANSI/IEEE Std 91-1984 and IEC Publication 617-12.

IMPACT is a trademark of Texas Instruments Incorporated

Information in this document contains information as of the date of publication. Products conform to specifications in effect at the time of publication. Texas Instruments standard warranty. Production processing does not necessarily include testing of all parameters.

TEXAS
INSTRUMENTS

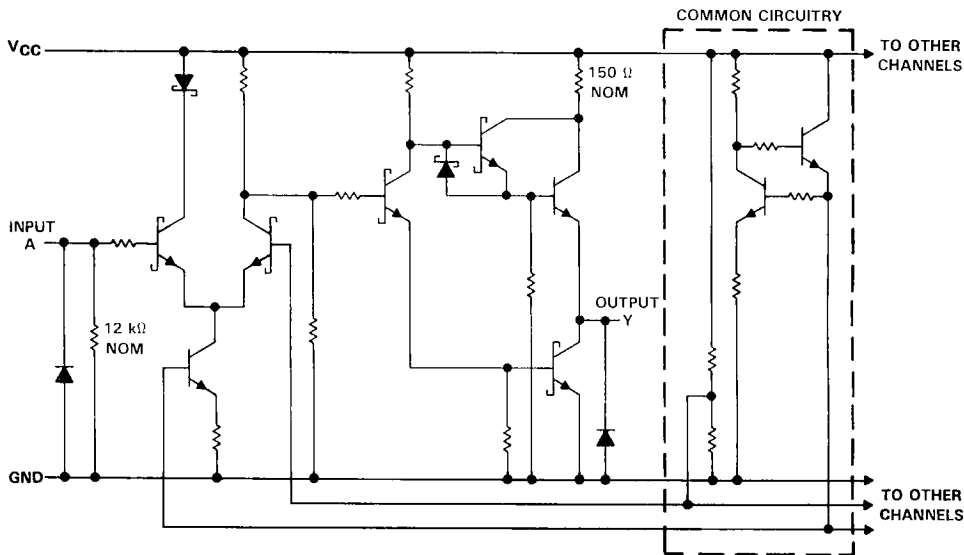
POST OFFICE BOX 655303 • DALLAS, TEXAS 75265

Copyright © 1989, Texas Instruments Incorporated

2-685

SN75ALS125, SN75ALS127 SEVEN-CHANNEL LINE RECEIVERS

schematic (each receiver)



absolute maximum ratings over operating free-air temperature range (unless otherwise noted)

Supply voltage, V_{CC} (see Note 1)	7 V
Input voltage range	-0.15 V to 7 V
Continuous total dissipation at (or below) 25°C free-air temperature (see Note 2):	
D package	950 mW
J package	1025 mW
N package	1150 mW
Operating free-air temperature range	0°C to 70°C
Storage temperature range	-65°C to 150°C
Lead temperature 1,6 mm (1/16 inch) from case for 60 seconds: J package	300°C
Lead temperature 1,6 mm (1/16 inch) from case for 10 seconds: D or N package	260°C

- NOTES: 1. All voltage values are with respect to network ground terminal.
 2. For operation above 25°C free-air temperature, derate the D package to 608 mW at 70°C at the rate of 7.6 mW/°C, the J package to 656 mW/°C at 70°C at the rate of 8.2 mW/°C, and the N package to 736 mW at 70°C at the rate of 9.2 mW/°C.

SN75ALS125, SN75ALS127
SEVEN-CHANNEL LINE RECEIVERS

recommended operating conditions

	MIN	NOM	MAX	UNIT
Supply voltage, V_{CC}	4.5	5	5.5	V
High-level input voltage, V_{IH}	1.7			V
Low-level input voltage, V_{IL}			0.7	V
High-level output current, I_{OH}			-0.4	mA
Low-level output current, I_{OL}			16	mA
Operating free-air temperature, T_A	0		70	°C

electrical characteristics over recommended operating free-air temperature range (unless otherwise noted)

PARAMETER		TEST CONDITIONS	MIN	TYP [†]	MAX	UNIT
V_{OH}	High-level output voltage	$V_{CC} = 4.5\text{ V}$, $V_{IL} = 0.7\text{ V}$, $I_{OH} = -0.4\text{ mA}$	2.4	3.1		V
V_{OL}	Low-level output voltage	$V_{CC} = 4.5\text{ V}$, $V_{IH} = 1.7\text{ V}$, $I_{OL} = 16\text{ mA}$		0.4	0.5	V
I_{IH}	High-level input current	$V_{CC} = 5.5\text{ V}$, $V_I = 3.11\text{ V}$		0.3	0.42	mA
I_{IL}	Low-level input current	$V_{CC} = 5.5\text{ V}$, $V_I = 0.15\text{ V}$			30	μA
I_{OS}	Short-circuit output current [‡]	$V_{CC} = 5.5\text{ V}$, $V_O = 0$	-18		-60	mA
r_i	Input resistance	$V_{CC} = 4.5\text{ V}$, 0, or open, $\Delta V_I = 0.15\text{ V}$ to 4.15 V	7		20	kΩ
I_{CC}	Supply current	$V_{CC} = 5.5\text{ V}$, $I_{OH} = -0.4\text{ mA}$, All inputs at 0.7 V		15	25	mA
		$V_{CC} = 5.5\text{ V}$, $I_{OL} = 16\text{ mA}$, All inputs at 4 V		28	47	mA

switching characteristics over recommended operating temperature range (unless otherwise noted), $V_{CC} = 5\text{ V}$

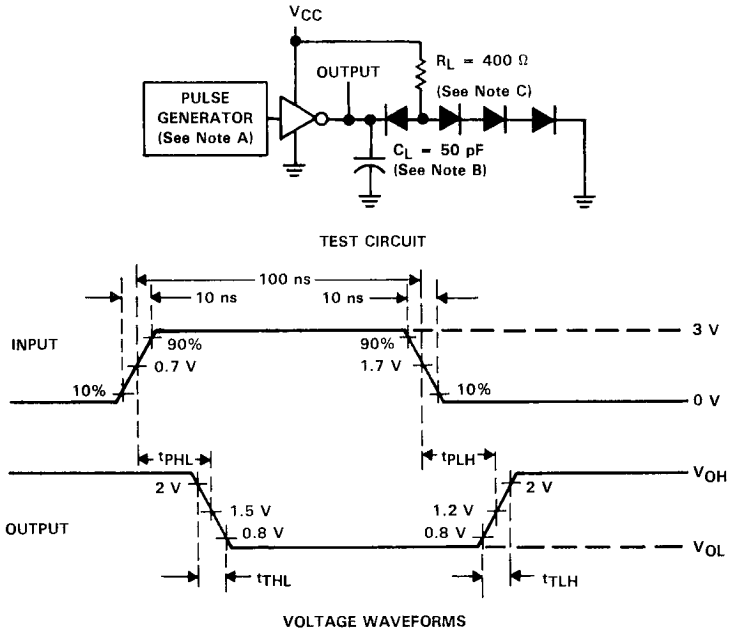
PARAMETER		TEST CONDITIONS	MIN	TYP [†]	MAX	UNIT
t_{PLH}	Propagation delay time, low-to-high-level output	$R_L = 400\ \Omega$, $C_L = 50\text{ pF}$, See Figure 1	7	14	25	ns
t_{PHL}	Propagation delay time, high-to-low-level output		10	18	30	ns
$\frac{t_{PLH}}{t_{PHL}}$	Ratio of propagation delay times		0.5	0.8	1.3	
t_{TLH}	Transition time, low-to-high-level output		1	7	12	ns
t_{THL}	Transition time, high-to-low-level output		1	3	12	ns

[†]All typical values are at $V_{CC} = 5\text{ V}$, $T_A = 25^\circ\text{C}$.

[‡]Not more than one output should be shorted at a time.

**SN75ALS125, SN75ALS127
SEVEN-CHANNEL LINE RECEIVERS**

PARAMETER MEASUREMENT INFORMATION



- NOTES: A. The pulse generator has the following characteristics: $Z_{out} \approx 50 \Omega$, $PRR \leq 5 \text{ MHz}$.
 B. C_L includes probe and jig capacitance.
 C. All diodes are 1N3064 or equivalent.

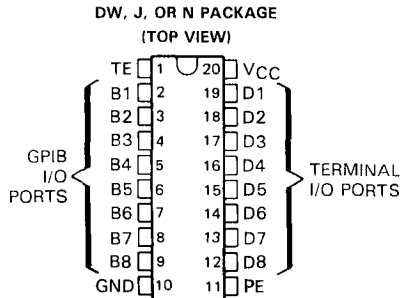
FIGURE 1

SN75ALS160 OCTAL GENERAL-PURPOSE INTERFACE BUS TRANSCEIVER

D2525, JUNE 1986--REVISED AUGUST 1989

MEETS IEEE STANDARD 488-1978 (GPIB)

- 8-Channel Bidirectional Transceiver
- High-Speed Advanced Low-Power Schottky Circuitry
- Low Power Dissipation . . . 46 mW Max per Channel
- Fast Propagation Times . . . 20 ns Max
- High-Impedance P-N-P Inputs
- Receiver Hysteresis . . . 650 mV Typ
- Open-Collector Driver Output Option
- No Loading of Bus When Device Is Powered Down ($V_{CC} = 0$)
- Power-Up/Power-Down Protection (Glitch-Free)



FUNCTION TABLES

EACH DRIVER

INPUTS			OUTPUT
D	TE	PE	B
H	H	H	H
L	H	X	L
H	X	L	Z [†]
X	L	X	Z [†]

EACH RECEIVER

INPUTS			OUTPUT
B	TE	PE	D
L	L	X	L
H	L	X	H
X	H	X	Z

H = high level, L = low level, X = irrelevant,
Z = high-impedance state.
[†] This is the high-impedance state of a normal 3-state output modified by the internal resistors to V_{CC} and ground.

description

The SN75ALS160 eight-channel general-purpose interface bus transceiver is a monolithic, high-speed, Advanced Low-Power Schottky device designed for two-way data communications over single-ended transmission lines. It is designed to meet the requirements of IEEE Standard 488-1978. The transceiver features driver outputs that can be operated in either the passive-pullup or three-state mode. If Talk Enable (TE) is high, these ports have the characteristics of passive-pullup outputs when Pullup Enable (PE) is low, and of three-state outputs when PE is high. Taking TE low places these ports in the high-impedance state. The driver outputs are designed to handle loads up to 48 milliamperes of sink current.

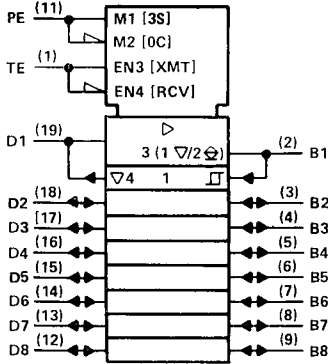
An active turn-off feature has been incorporated into the bus-terminating resistors so that the device exhibits a high impedance to the bus when $V_{CC} = 0$. When combined with the SN75ALS161 or SN75ALS162 management bus transceiver, the pair provides the complete 16-wire interface for the IEEE 488 bus.

The SN75ALS160 is manufactured in a 20-pin package and is characterized for operation from 0°C to 70°C.

SN75ALS160

OCTAL GENERAL-PURPOSE INTERFACE BUS TRANSCEIVER

logic symbol†

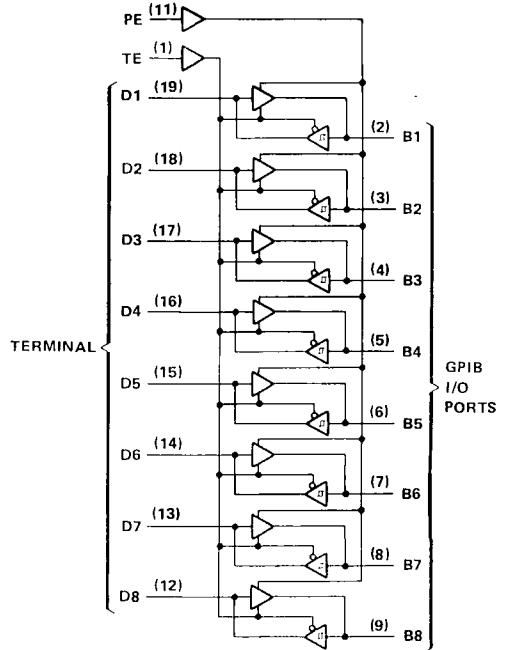


† This symbol is in accordance with ANSI/IEEE Std 91-1984 and IEC Publication 617-12.

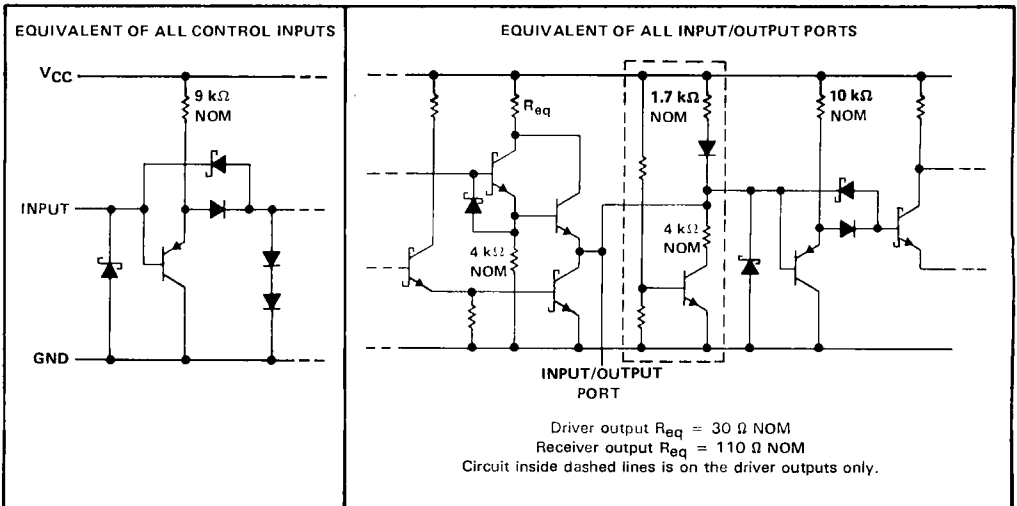
▽ Designates 3-state outputs.

⊗ Designates passive-pullup outputs.

logic diagram (positive logic)



schematics of inputs and outputs



SN75ALS160
OCTAL GENERAL-PURPOSE INTERFACE BUS TRANSCEIVER

absolute maximum ratings over operating free-air temperature range (unless otherwise noted)

Supply voltage, V_{CC} (see Note 1)	7 V
Input voltage	5.5 V
Low-level driver output current	100 mA
Continuous total dissipation at (or below) 25°C free-air temperature (see Note 2):	
DW package	1025 mW
J package	1025 mW
N package	1150 mW
Operating free-air temperature range	0°C to 70°C
Storage temperature range	-65°C to 150°C
Lead temperature 1,6 mm (1/16 inch) from the case for 60 seconds: J package	300°C
Lead temperature 1,6 mm (1/16 inch) from the case for 10 seconds: DW or N package	260°C

- NOTES: 1. All voltage values are with respect to network ground terminal.
2. For operation above 25°C free-air temperature, derate the DW and J packages to 656 mW at 70°C at the rate of 8.2 mW/°C and derate the N package to 736 mW at 70°C at the rate of 9.2 mW/°C.

recommended operating conditions

		MIN	NOM	MAX	UNIT
Supply voltage, V_{CC}		4.75	5	5.25	V
High-level input voltage, V_{IH}		2			V
Low-level input voltage, V_{IL}		0.8			V
High-level output current, I_{OH}	Bus ports with pullups active	-5			mA
	Terminal ports	-			μA
Low-level output current, I_{OL}	Bus ports	16			mA
	Terminal ports	16			mA
Operating free-air temperature, T_A		0		70	°C



SN75ALS160

OCTAL GENERAL-PURPOSE INTERFACE BUS TRANSCEIVER

electrical characteristics over recommended ranges of supply voltage and operating free-air temperature (unless otherwise noted)

PARAMETER		TEST CONDITIONS		MIN	TYP [†]	MAX	UNIT	
V _{IK}	Input clamp voltage		I _I = -18 mA	-0.8	-1.5		V	
V _{hys}	Hysteresis (V _{T+} - V _{T-})	Bus		0.4	0.65		V	
V _{OH} [‡]	High-level output voltage	Terminal	I _{OH} = -800 μA, TE at 0.8 V	2.7	3.5		V	
		Bus	I _{OH} = -5.2 mA, PE and TE at 2 V	2.5	3.3			
V _{OL}	Low-level output voltage	Terminal	I _{OL} = 16 mA, TE at 0.8 V		0.3	0.5	V	
		Bus	I _{OL} = 48 mA, TE at 2 V		0.35	0.5		
I _I	Input current at maximum input voltage	Terminal	V _I = 5.5 V		0.2	100	μA	
I _{IH}	High-level input current	Terminal,	V _I = 2.7 V		0.1	20	μA	
I _{IL}	Low-level input current	PE, or TE	V _I = 0.5 V		-10	-100	μA	
V _{I/O(bus)}	Voltage at bus port		Driver disabled	I _{I(bus)} = 0	2.5	3.0	3.7	V
				I _{I(bus)} = -12 mA			-1.5	
I _{I/O(bus)}	Current into bus port	Power on	Driver disabled	V _{I(bus)} = -1.5 V to 0.4 V	-1.3			mA
				V _{I(bus)} = 0.4 V to 2.5 V	0		-3.2	
				V _{I(bus)} = 2.5 V to 3.7 V			2.5	
				V _{I(bus)} = 3.7 V to 5 V	0		-3.2	
				V _{I(bus)} = 5 V to 5.5 V	0.7		2.5	
		Power off	V _{CC} = 0, V _{I(bus)} = 0 to 2.5 V				40	μA
I _{OS}	Short-circuit output current	Terminal		-15	-35	-75	mA	
		Bus		-25	-50	-125		
I _{CC}	Supply current	No load	Terminal outputs low and enabled		42	65	mA	
			Bus outputs low and enabled		52	80		
C _{I/O(bus)}	Bus-port capacitance		V _{CC} = 5 V to 0, V _{I/O} = 0 to 2 V, f = 1 MHz		30		pF	

[†] All typical values are at V_{CC} = 5 V, T_A = 25 °C.

[‡] V_{OH} applies to 3-state outputs only.

SN75ALS160
OCTAL GENERAL-PURPOSE INTERFACE BUS TRANSCEIVER

switching characteristics over recommended range of operating free-air temperature (unless otherwise noted), $V_{CC} = 5 V$

PARAMETER	FROM	TO	TEST CONDITIONS	MIN	TYP [†]	MAX	UNIT
t_{PLH} Propagation delay time, low-to-high-level output	Terminal	Bus	$C_L \approx 30 \text{ pF}$, See Figure 1	7	20	ns	
t_{PHL} Propagation delay time, high-to-low-level output				8	20		
t_{PLH} Propagation delay time, low-to-high-level output	Bus	Terminal	$C_L \approx 30 \text{ pF}$, See Figure 2	7	14	ns	
t_{PHL} Propagation delay time, high-to-low-level output				9	14		
t_{PZH} Output enable time to high level	TE	Bus	$C_L \approx 15 \text{ pF}$, See Figure 3	19	30	ns	
t_{PHZ} Output disable time from high level				5	12		
t_{PZL} Output enable time to low level				16	35		
t_{PLZ} Output disable time from low level				9	20		
t_{PZH} Output enable time to high level	TE	Terminal	$C_L \approx 15 \text{ pF}$, See Figure 4	13	30	ns	
t_{PHZ} Output disable time from high level				12	20		
t_{PZL} Output enable time to low level				12	20		
t_{PLZ} Output disable time from low level				11	20		
t_{en} Output pull-up enable time	PE	Bus	$C_L \approx 15 \text{ pF}$, See Figure 5	11	22	ns	
t_{dis} Output pull-up disable time				6	12		

[†]Typical values are at $T_A = 25^\circ\text{C}$.

SN75ALS160
OCTAL GENERAL-PURPOSE INTERFACE BUS TRANSCEIVER

PARAMETER MEASUREMENT INFORMATION

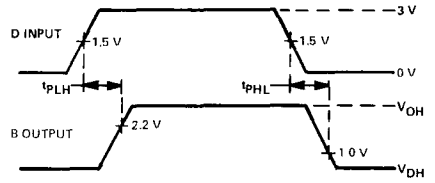
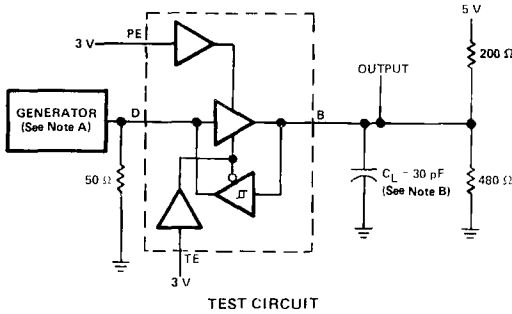


FIGURE 1. TERMINAL-TO-BUS PROPAGATION DELAY TIMES

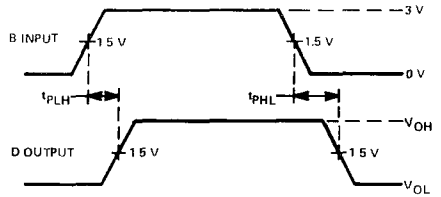
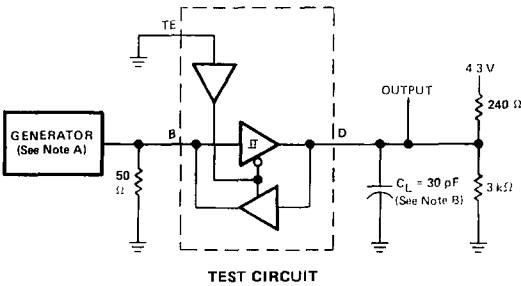


FIGURE 2. BUS-TO-TERMINAL PROPAGATION DELAY TIMES

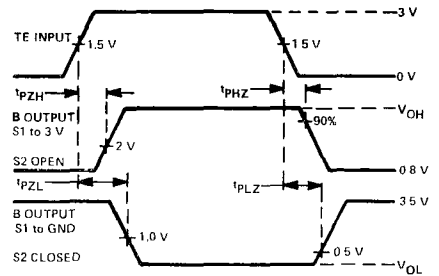
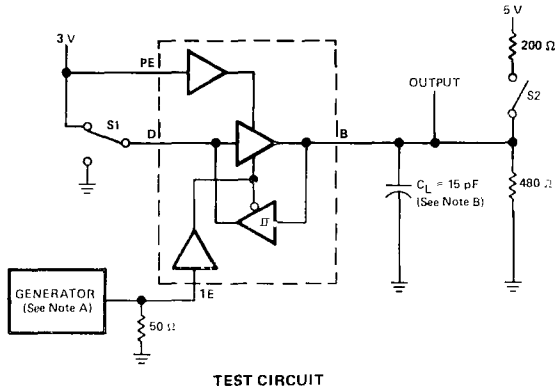


FIGURE 3. TE-TO-BUS ENABLE AND DISABLE TIMES

NOTES: A. The input pulse is supplied by a generator having the following characteristics: PRR \leq 1 MHz, 50% duty cycle, $t_r \leq 6$ ns, $t_f \leq 6$ ns, $Z_{out} = 50 \Omega$.
 B. C_L includes probe and jig capacitance.

PARAMETER MEASUREMENT INFORMATION

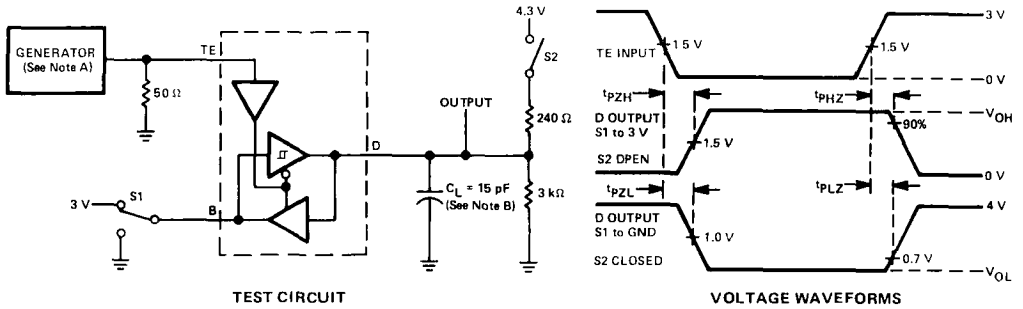


FIGURE 4. TE-TO-TERMINAL ENABLE AND DISABLE TIMES

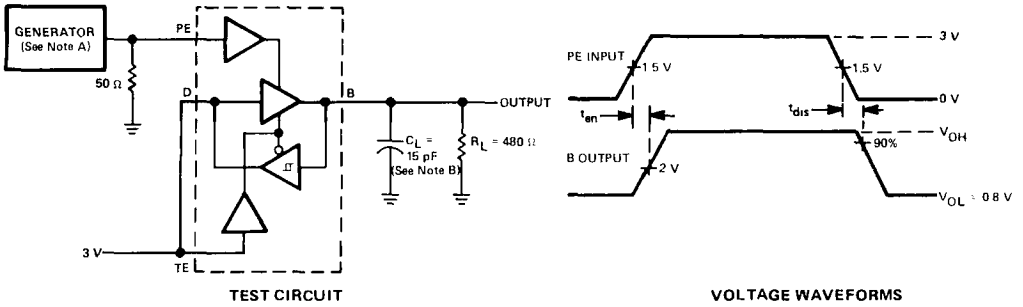


FIGURE 5. PE-TO-BUS PULLUP ENABLE AND DISABLE TIMES

NOTES: A. The input pulse is supplied by a generator having the following characteristics: PRR \leq 1 MHz, 50% duty cycle, $t_r \leq$ 6 ns, $t_f \leq$ 6 ns, $Z_{out} = 50 \Omega$.
B. C_L includes probe and jig capacitance.

SN75ALS160
OCTAL GENERAL-PURPOSE INTERFACE BUS TRANSCEIVER

TYPICAL CHARACTERISTICS

TERMINAL HIGH-LEVEL OUTPUT VOLTAGE
 vs
 HIGH-LEVEL OUTPUT CURRENT

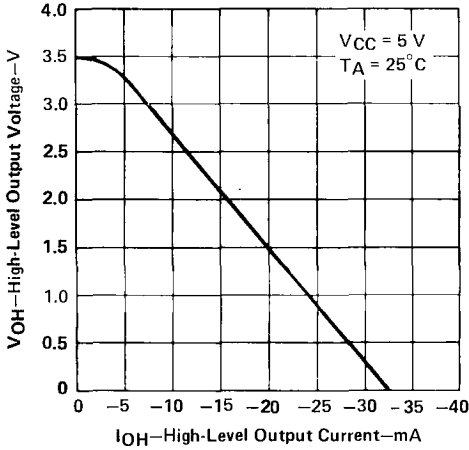


FIGURE 6

TERMINAL LOW-LEVEL OUTPUT VOLTAGE
 vs
 LOW-LEVEL OUTPUT CURRENT

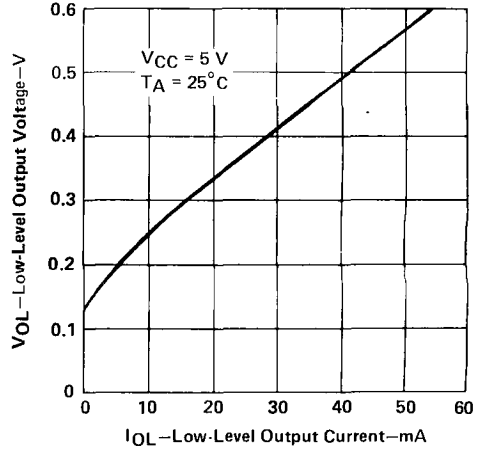


FIGURE 7

TERMINAL OUTPUT VOLTAGE
 vs
 BUS INPUT VOLTAGE

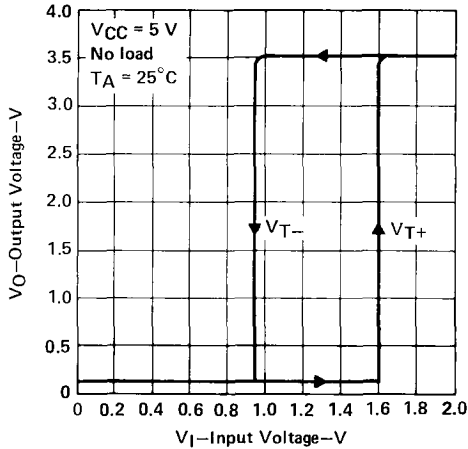
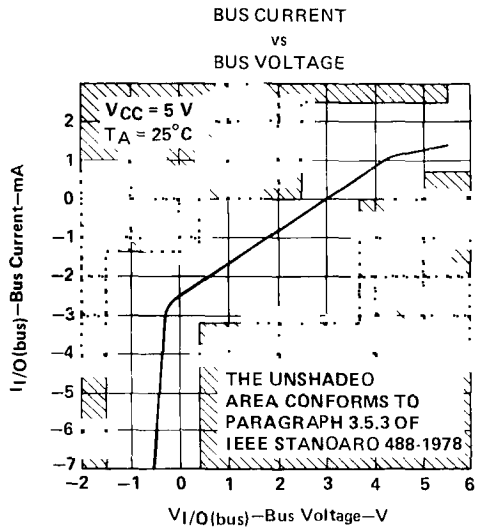
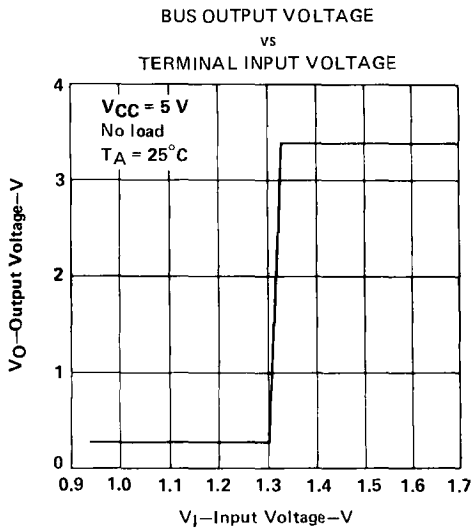
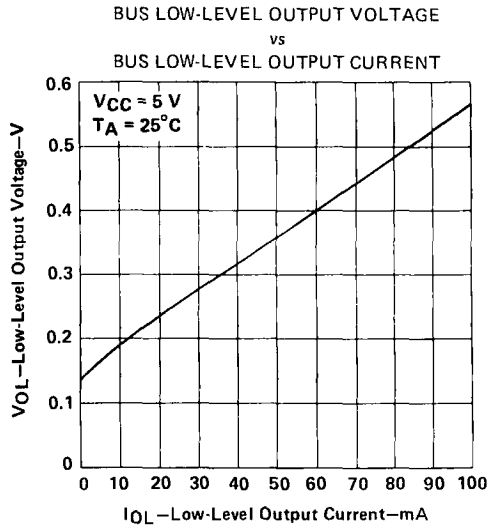
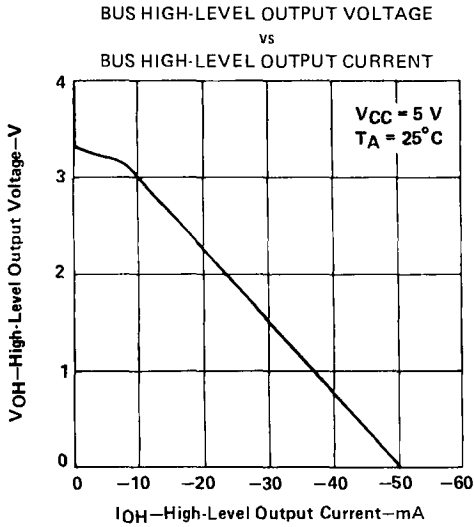
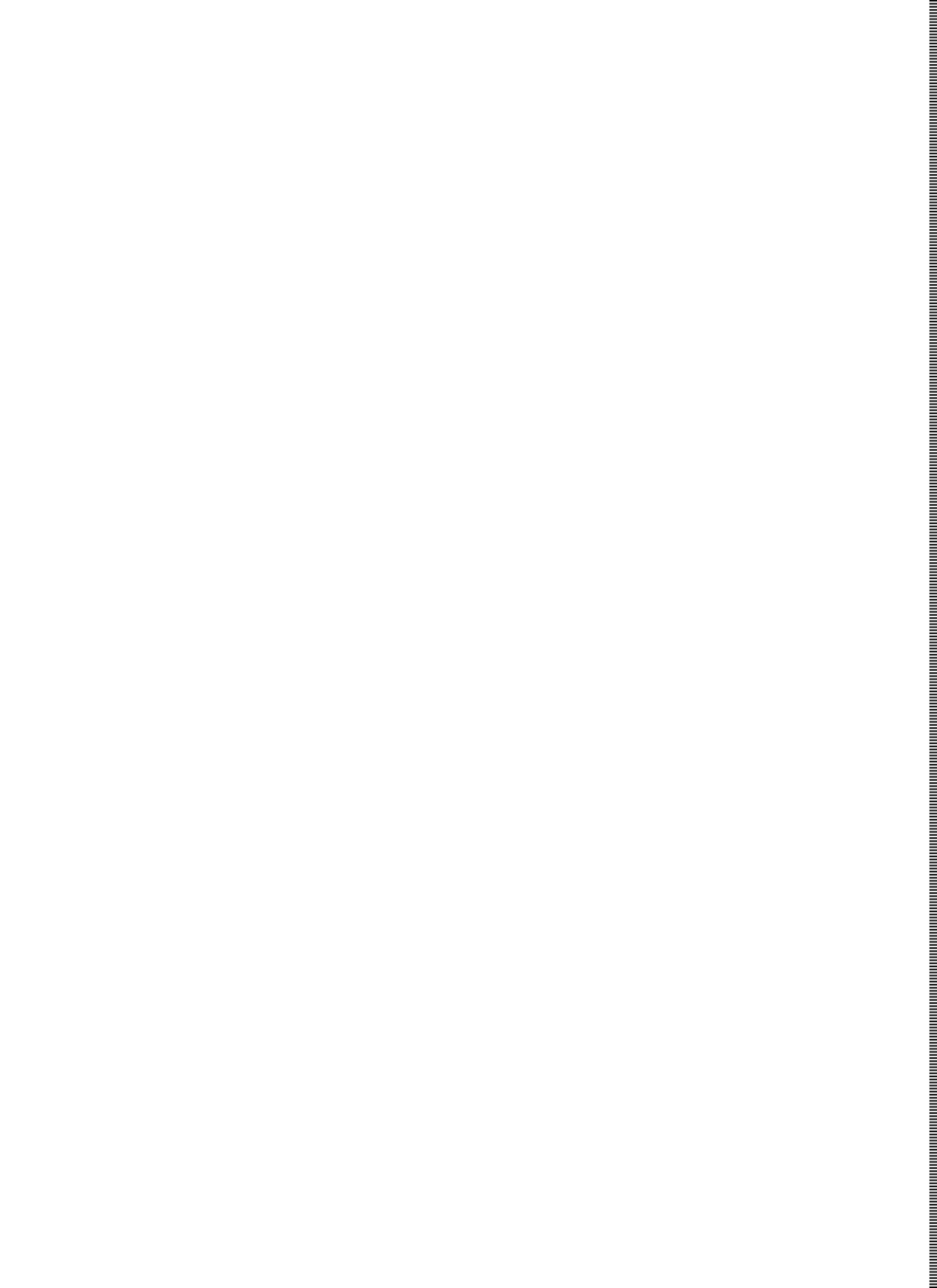


FIGURE 8

TYPICAL CHARACTERISTICS



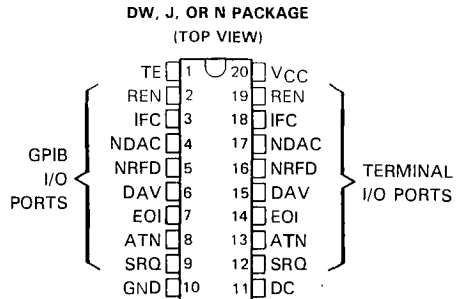


SN75ALS161 OCTAL GENERAL-PURPOSE INTERFACE BUS TRANSCEIVER

D2618, JUNE 1986 REVISED AUGUST 1989

MEETS IEEE STANDARD 488-1978 (GPIB)

- 8-Channel Bidirectional Transceiver
- Designed to Implement Control Bus Interface
- Designed for Single Controller
- High-Speed Advanced Low-Power Schottky Circuitry
- Low-Power Dissipation . . . 46 mW Max per Channel
- Fast Propagation Times . . . 20 ns Max
- High-Impedance P-N-P Inputs
- Receiver Hysteresis . . . 650 mV Typ
- Bus-Terminating Resistors Provided on Driver Outputs
- No Loading of Bus When Device Is Powered Down ($V_{CC} = 0$)
- Power-Up/Power-Down Protection (Glitch-Free)



CHANNEL IDENTIFICATION TABLE

NAME	IDENTITY	CLASS
DC	Direction Control	Control
TE	Talk Enable	
ATN	Attention	Bus Management
SRQ	Service Request	
REN	Remote Enable	
IFC	Interface Clear	
EOI	End or Identify	
DAV	Data Valid	Data Transfer
NDAC	Not Data Accepted	
NRFD	Not Ready for Data	

description

The SN75ALS161 eight-channel general-purpose interface bus transceiver is a monolithic, high-speed, Advanced Low-Power Schottky process device designed to provide the bus-management and data-transfer signals between operating units of a single controller instrumentation system. When combined with the SN75ALS160 octal bus transceiver, the SN75ALS161 provides the complete 16-wire interface for the IEEE 488 bus.

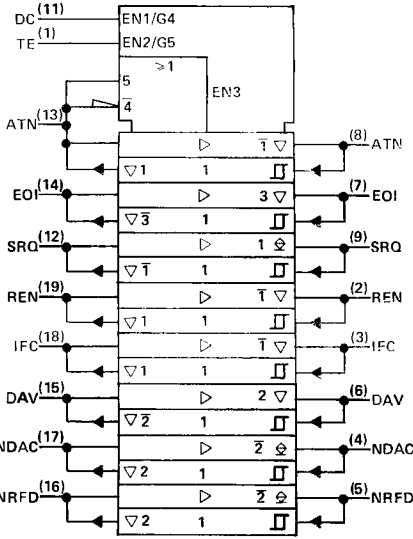
The SN75ALS161 features eight driver-receiver pairs connected in a front-to-back configuration to form input/output (I/O) ports at both the bus and terminal sides. The direction of data through these driver-receiver pairs is determined by the DC and TE enable signals.

The driver outputs (GPIB I/O ports) feature active bus-terminating resistor circuits designed to provide a high impedance to the bus when $V_{CC} = 0$. The drivers are designed to handle loads up to 48 mA of sink current. Each receiver features p-n-p transistor inputs for high input impedance and hysteresis of 400 mV minimum for increased noise immunity. All receivers have 3-state outputs to present a high impedance to the terminal when disabled.

The SN75ALS161 is manufactured in a 20-pin package and is characterized for operation from 0°C to 70°C.

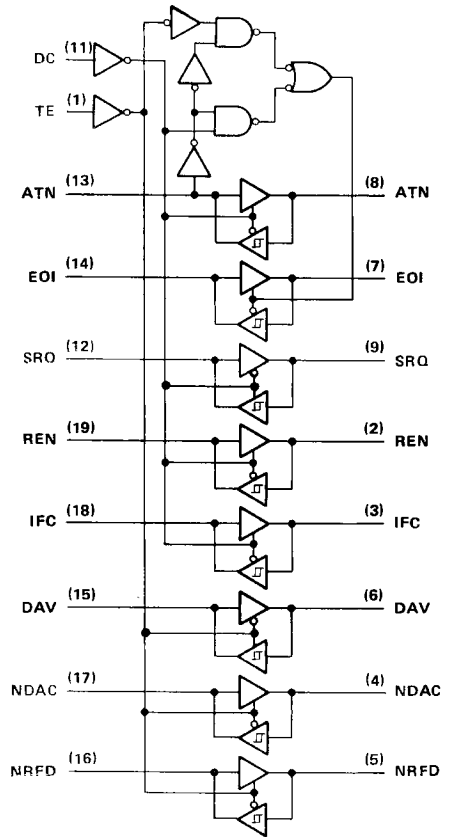
SN75ALS161 OCTAL GENERAL-PURPOSE INTERFACE BUS TRANSCEIVER

logic symbol†



† This symbol is in accordance with ANSI/IEEE Std 91-1984 and IEC Publication 617-12.
 ▽ Designates 3-state outputs.
 ⊕ Designates passive-pullup outputs.

logic diagram (positive logic)



RECEIVE/TRANSMIT FUNCTION TABLE

CONTROLS			BUS-MANAGEMENT CHANNELS					DATA-TRANSFER CHANNELS		
DC	TE	ATN [‡]	ATN [‡]	SRQ	REN	IFC	EOI	DAV	NDAC	NRFD
			(Controlled by DC)					(Controlled by TE)		
H	H	H	R	T	R	R	T	T	R	R
H	H	L					R			
L	L	H	T	R	T	T	R	R	T	T
L	L	L					T			
H	L	X	R	T	R	R	R	R	T	T
L	H	X	T	R	T	T	T	T	R	R

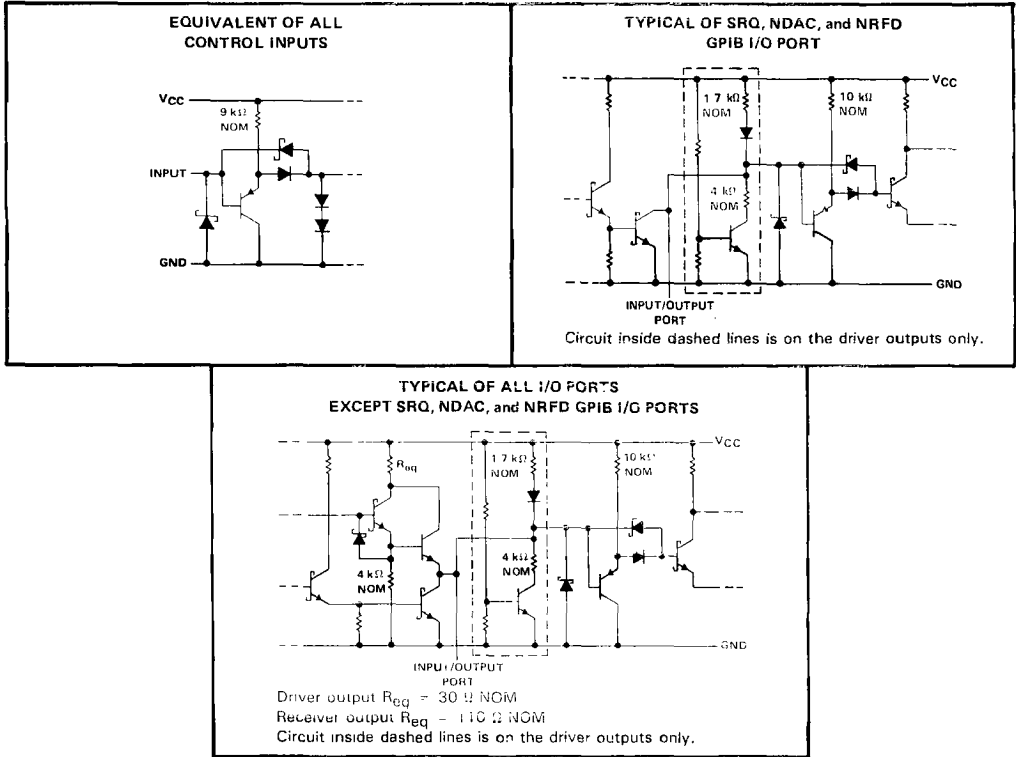
H = high level, L = low level, R = receive, T = transmit, X = irrelevant
 Direction of data transmission is from the terminal side to the bus side, and the direction of data receiving is from the bus side to the terminal side. Data transfer is noninverting in both directions.

[‡] ATN is a normal transceiver channel that functions additionally as an internal direction control or talk enable for EOI whenever the DC and TE inputs are in the same state. When DC and TE are in opposite states, the ATN channel functions as an independent transceiver only.



SN75ALS161 OCTAL GENERAL-PURPOSE INTERFACE BUS TRANSCEIVER

schematics of inputs and outputs



absolute maximum ratings over operating free-air temperature range (unless otherwise noted)

Supply voltage, V_{CC} (see Note 1)	7 V
Input voltage	5.5 V
Low-level driver output current	100 mA
Continuous total dissipation at (or below) 25°C free-air temperature (see Note 2):	
DW package	1025 mW
J package	1025 mW
N package	1150 mW
Operating free-air temperature range	0°C to 70°C
Storage temperature range	-65°C to 150°C
Lead temperature 1,6 mm (1/16 inch) from the case for 60 seconds: J package	300°C
Lead temperature 1,6 mm (1/16 inch) from the case for 10 seconds: DW or N package	260°C

- NOTES: 1. All voltage values are with respect to network ground terminal.
 2. For operation above 25°C free-air temperature, derate the DW and J packages to 656 mW at 70°C at the rate of 8.2 mW/°C, and derate the N package to 736 mW at 70°C at the rate of 9.2 mW/°C.

SN75ALS161

OCTAL GENERAL-PURPOSE INTERFACE BUS TRANSCEIVER

recommended operating conditions

		MAX	UNIT
Supply voltage, V_{CC}		5.25	V
High-level input voltage, V_{IH}		2	V
Low-level input voltage, V_{IL}		0.8	V
High-level output current, I_{OH}	Bus ports with pullups active	-5.2	mA
	Terminal ports	-800	μ A
Low-level output current, I_{OL}	Bus ports	48	mA
	Terminal ports	16	mA
Operating free-air temperature, T_A		0	70 °C

electrical characteristics over recommended ranges of supply voltage and operating free-air temperature (unless otherwise noted)

PARAMETER		TEST CONDITIONS		MIN	TYP†	MAX	UNIT
V_{IK}	Input clamp voltage	$I_I = -18$ mA		-0.8	-1.5		V
V_{hys}	Hysteresis ($V_{T+} - V_{T-}$)	Bus		0.4	0.65		V
V_{OH}^\ddagger	High-level output voltage	Terminal	$I_{OH} = -800$ μ A	2.7	3.5		V
		Bus	$I_{OH} = -5.2$ mA	2.5	3.3		
V_{OL}	Low-level output voltage	Terminal	$I_{OL} = 16$ mA	0.3	0.5		V
		Bus	$I_{OL} = 48$ mA	0.35	0.5		
I_I	input current at maximum input voltage	Terminal	$V_I = 5.5$ V	0.2	100		μ A
I_{IH}	High-level input current	Terminal and control inputs	$V_I = 2.7$ V	0.1	20		μ A
I_{IL}	Low-level input current		$V_I = 0.5$ V	-10	-100		μ A
$V_{I/O}(\text{bus})$	Voltage at bus port	Driver disabled	$I_I(\text{bus}) = 0$ $I_I(\text{bus}) = -12$ mA	2.5	3.0	3.7	V
$I_{I/O}(\text{bus})$	Current into bus port	Power on	Driver disabled	$V_I(\text{bus}) = -1.5$ V to 0.4 V	-1.3		
			$V_I(\text{bus}) = 0.4$ V to 2.5 V	0	-3.2		
			$V_I(\text{bus}) = 2.5$ V to 3.7 V		+2.5	-3.2	
			$V_I(\text{bus}) = 3.7$ V to 5 V	0	2.5		
			$V_I(\text{bus}) = 5$ V to 5.5 V	0.7	2.5		
			Power off	$V_{CC} = 0$, $V_I(\text{bus}) = 0$ to 2.5 V		40	
I_{OS}	Short-circuit output current	Terminal		-15	-35	-75	mA
		Bus		-25	-50	-125	
I_{CC}	Supply current	No load, TE and DC low		55	75		mA
$C_{I/O}(\text{bus})$	Bus-port capacitance	$V_{CC} = 5$ V to 0, $V_{I/Q} = 0$ to 2 V, $f = 1$ MHz		30			pF

† All typical values are at $V_{CC} = 5$ V, $T_A = 25^\circ\text{C}$

‡ V_{OH} applies to 3-state outputs only.

SN75ALS161 OCTAL GENERAL-PURPOSE INTERFACE BUS TRANSCEIVER

switching characteristics over recommended range of operating free-air temperature (unless otherwise noted), $V_{CC} = 5\text{ V}$

PARAMETER	FROM	TO	TEST CONDITIONS	MIN	TYP†	MAX	UNIT
t_{PLH} Propagation delay time, low-to-high-level output	Terminal	Bus	$C_L = 30\text{ pF}$, See Figure 1	10	20	20	ns
t_{PHL} Propagation delay time, high-to-low-level output				12	20		
t_{PLH} Propagation delay time, low-to-high-level output	Bus	Terminal	$C_L = 30\text{ pF}$, See Figure 2	5	10	14	ns
t_{PHL} Propagation delay time, high-to-low-level output				7	14		
t_{pZH} Output enable time to high level	TE or DC	BUS (ATTN, EOI, REN, IFC, and DAV)	$C_L = 15\text{ pF}$, See Figure 3	30		20	ns
t_{pHZ} Output disable time from high level				20			
t_{pZL} Output enable time to low level				45			
t_{pLZ} Output disable time from low level				20			
t_{pZH} Output enable time to high level	TE or DC	Terminal	$C_L = 15\text{ pF}$, See Figure 4	30		25	ns
t_{pHZ} Output disable time from high level				25			
t_{pZL} Output enable time to low level				30			
t_{pLZ} Output disable time from low level				25			

†All typical values are at $T_A = 25^\circ\text{C}$.

PARAMETER MEASUREMENT INFORMATION

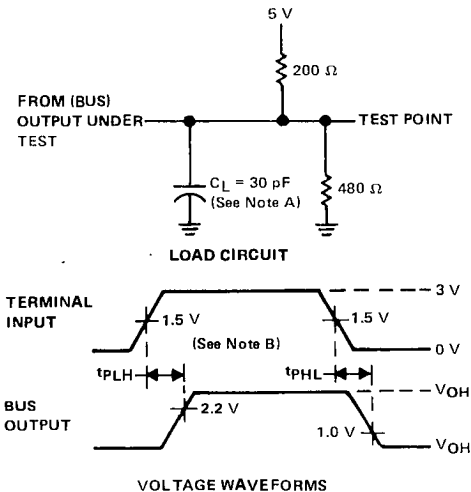


FIGURE 1. TERMINAL-TO-BUS PROPAGATION DELAY TIMES

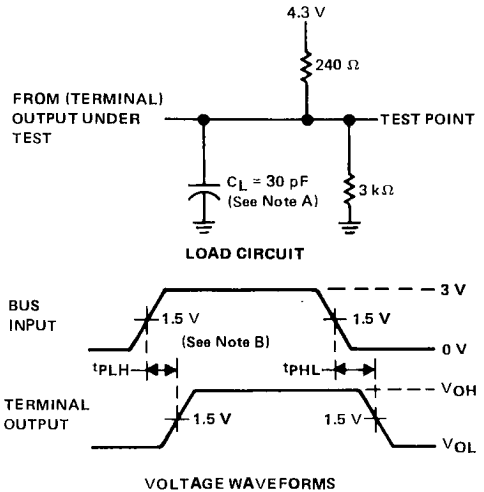


FIGURE 2. BUS-TO-TERMINAL PROPAGATION DELAY TIMES

- NOTES: A. C_L includes probe and jig capacitance.
 B. The input pulse is supplied by a generator having the following characteristics: $PRR \leq 1\text{ MHz}$, 50% duty cycle, $t_r \leq 6\text{ ns}$, $t_f \leq 6\text{ ns}$, $Z_{out} = 50\ \Omega$.

SN75ALS161
OCTAL GENERAL-PURPOSE INTERFACE BUS TRANSCEIVER

PARAMETER MEASUREMENT INFORMATION

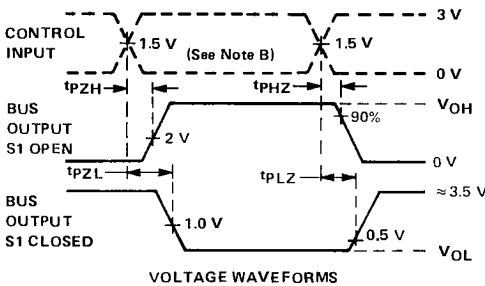
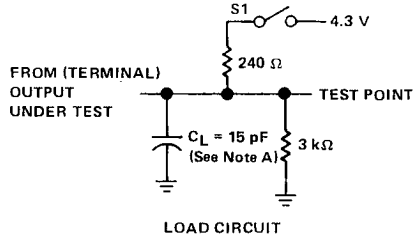
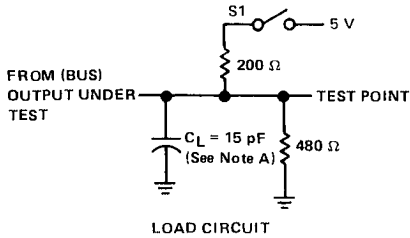


FIGURE 3. BUS ENABLE AND DISABLE TIMES

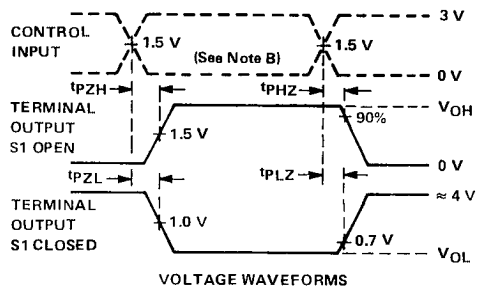


FIGURE 4. TERMINAL ENABLE AND DISABLE TIMES

NOTES: A. C_L includes probe and jig capacitance.

B. The input pulse is supplied by a generator having the following characteristics: PRR $\leq 1 \text{ MHz}$, 50% duty cycle, $t_r \leq 6 \text{ ns}$, $t_f \leq 6 \text{ ns}$, $Z_{out} = 50 \Omega$.

TYPICAL CHARACTERISTICS

TERMINAL HIGH-LEVEL OUTPUT VOLTAGE
 vs
 HIGH-LEVEL OUTPUT CURRENT

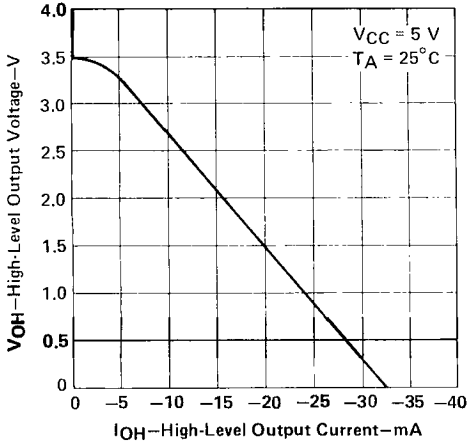


FIGURE 5

TERMINAL LOW-LEVEL OUTPUT VOLTAGE
 vs
 LOW-LEVEL OUTPUT CURRENT

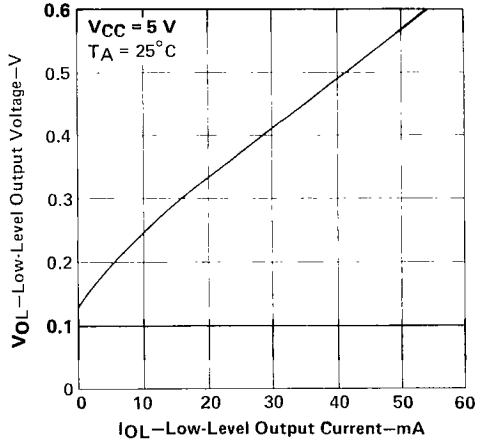


FIGURE 6

TERMINAL OUTPUT VOLTAGE
 vs
 BUS INPUT VOLTAGE

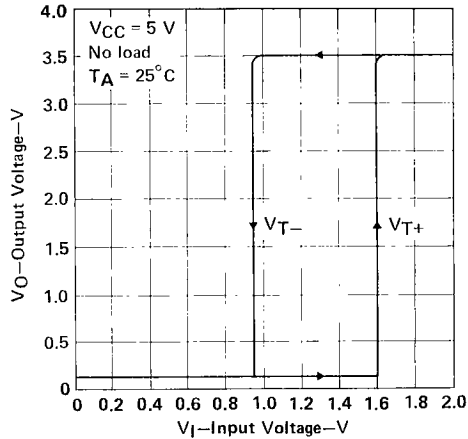


FIGURE 7

TYPICAL CHARACTERISTICS

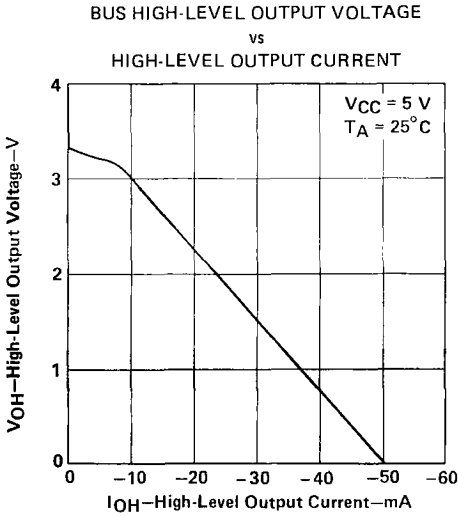


FIGURE 8

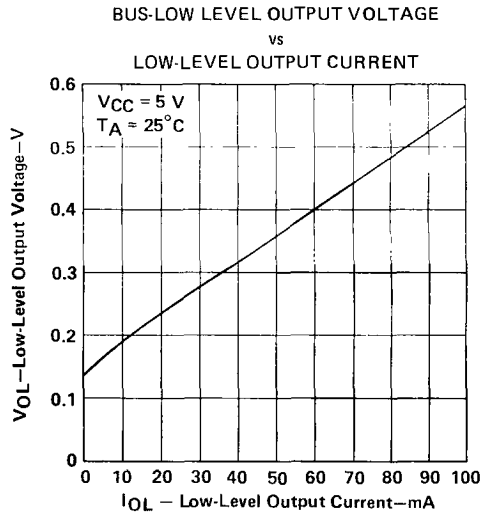


FIGURE 9

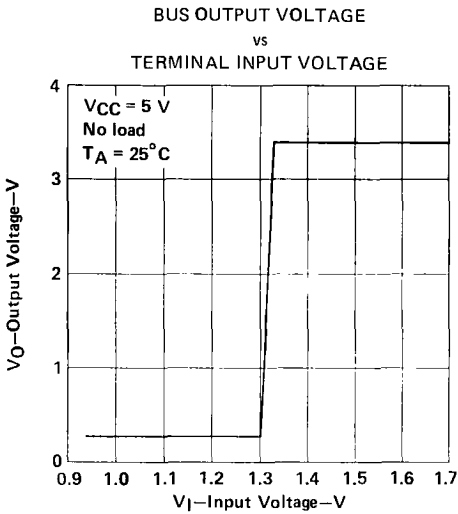


FIGURE 10

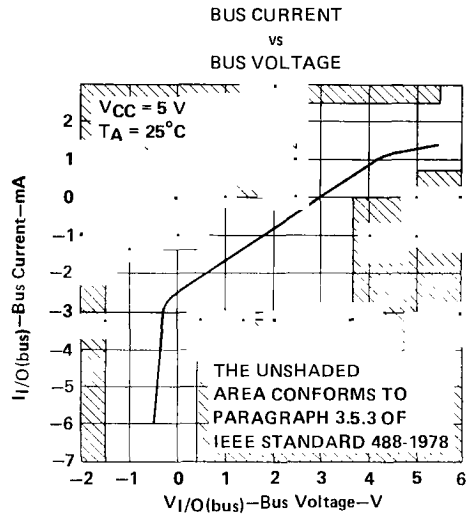


FIGURE 11

SN75ALS162

OCTAL GENERAL-PURPOSE INTERFACE BUS TRANSCEIVER

D2618, JUNE 1986—REVISED AUGUST 1989

MEETS IEEE STANDARD 488-1978 (GPIB)

- 8-Channel Bidirectional Transceiver
- Designed to Implement Control Bus Interface
- Designed for Multicontrollers
- High-Speed Advanced Low-Power Schottky Circuitry
- Low Power Dissipation . . . 46 mW Max per Channel
- Fast Propagation Times . . . 20 ns Max
- High-Impedance P-N-P Inputs
- Receiver Hysteresis . . . 650 mV Typ
- Bus-Terminating Resistors Provided on Driver Outputs
- No Loading of Bus When Device Is Powered Down ($V_{CC} = 0$)
- Power-Up/Power-Down Protection (Glitch-Free)

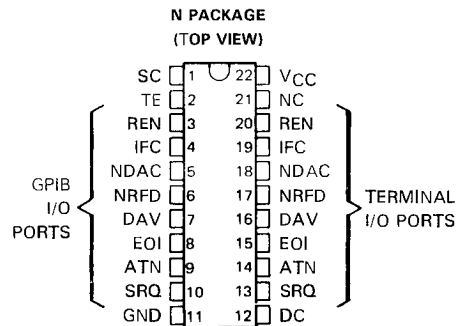
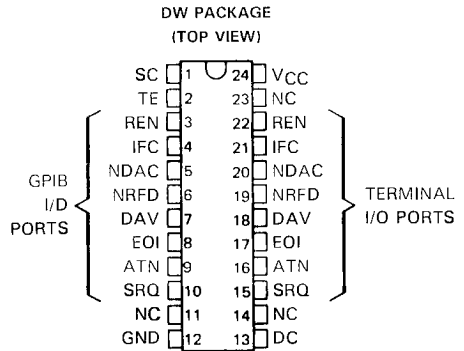
description

The SN75ALS162 eight-channel general-purpose interface bus transceiver is a monolithic, high-speed, Advanced Low-Power Schottky process device designed to provide the bus-management and data-transfer signals between operating units of a multiple-controller instrumentation system. When combined with the SN75ALS160 octal bus transceiver, the SN75ALS162 provides the complete 16-wire interface for the IEEE 488 bus.

The SN75ALS162 features eight driver-receiver pairs connected in a front-to-back configuration to form input/output (I/O) ports at both the bus and terminal sides. The direction of data through these driver-receiver pairs is determined by the DC, TE, and SC enable signals. The SC input allows the REN and IFC transceivers to be controlled independently.

The driver outputs (GPIB I/O ports) feature active bus-terminating resistor circuits designed to provide a high impedance to the bus when $V_{CC} = 0$. The drivers are designed to handle loads up to 48 mA of sink current. Each receiver features p-n-p transistor inputs for high input impedance and hysteresis of 400 mV minimum for increased noise immunity. All receivers have 3-state outputs to present a high impedance to the terminal when disabled.

The SN75ALS162 is manufactured in a 22-pin dual-in-line N package and in 24-pin DW package, and is characterized for operation from 0°C to 70°C.



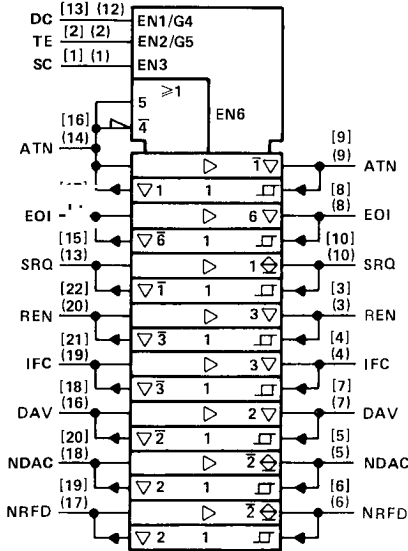
NC—No internal connection.

SN75ALS162 OCTAL GENERAL-PURPOSE INTERFACE BUS TRANSCEIVER

CHANNEL IDENTIFICATION TABLE

NAME	IDENTITY	CLASS
DC	Direction Control	Control
TE	Talk Enable	
SC	System Control	
ATN	Attention	Bus Management
SRQ	Service Request	
REN	Remote Enable	
IFC	Interface Clear	
EOI	End or Identify	
DAV	Data Valid	Data Transfer
NDAC	Not Data Accepted	
NRFD	Not Ready for Data	

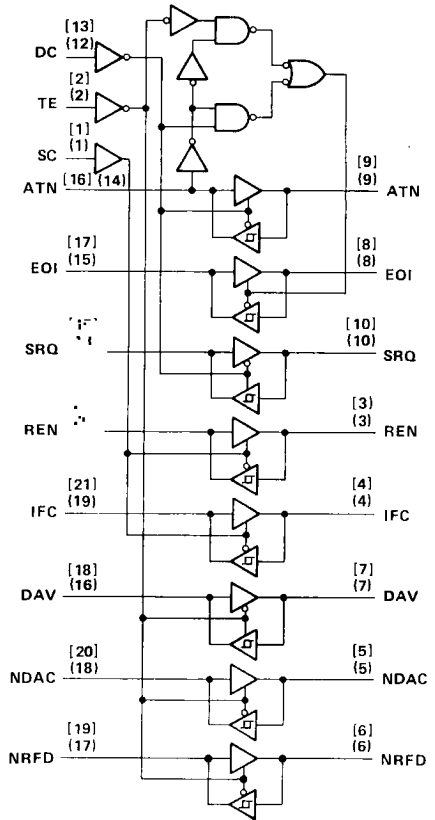
logic symbol†



† This symbol is in accordance with ANSI/IEEE Std 91-1984 and IEC Publication 617-12.

- ▽ Designates 3-state outputs.
- ⊗ Designates passive-pullup outputs.

logic diagram (positive logic)



- [] Denotes pin numbers for DW package.
- () Denotes pin numbers for N package.

SN75ALS162

OCTAL GENERAL-PURPOSE INTERFACE BUS TRANSCEIVER

RECEIVE/TRANSMIT FUNCTION TABLE

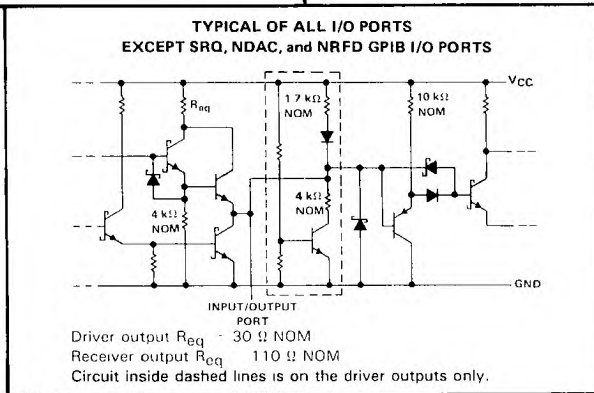
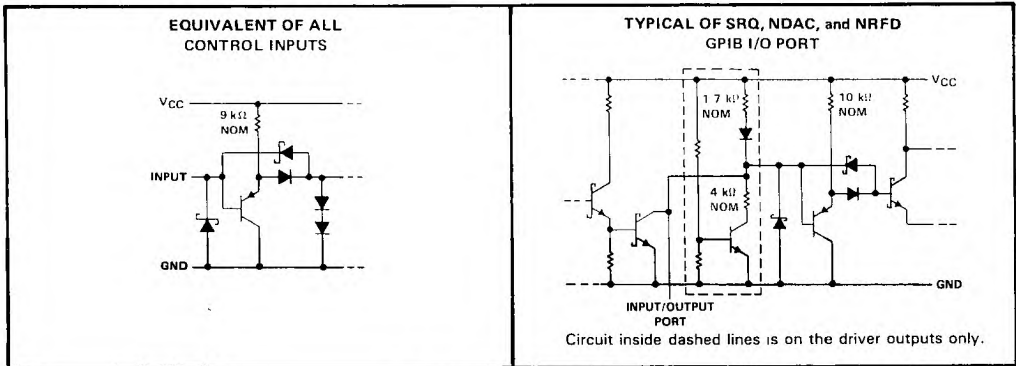
CONTROLS				BUS-MANAGEMENT CHANNELS				DATA-TRANSFER CHANNELS			
SC	DC	TE	ATN [†]	ATN [†]	SRQ	REN	IFC	EOI	DAV	NDAC	NRFD
				(Controlled by DC)		(Controlled by SC)			(Controlled by TE)		
	H	H	H	R	T			T	T	R	R
	H	H	L	T	R			R	R	T	T
	L	L	H	T	R			R	R	T	T
	L	L	L	R	T			R	R	T	T
	H	L	X	T	R			R	R	T	T
		X	T	R				T	T	H	H
						T	T				
						R	R				

H = high level, L = low level, R = receive, T = transmit, X = irrelevant

Direction of data transmission is from the terminal side to the bus side, and the direction of data receiving is from the bus side to the terminal side. Data transfer is noninverting in both directions.

[†]ATN is a normal transceiver channel that functions additionally as an internal direction control or talk enable for EOI whenever the DC and TE inputs are in the same state. When DC and TE are in opposite states, the ATN channel functions as an independent transceiver only.

schematics of inputs and outputs



SN75ALS162

OCTAL GENERAL-PURPOSE INTERFACE BUS TRANSCEIVER

absolute maximum ratings over operating free-air temperature range (unless otherwise noted)

Supply voltage, V_{CC} (see Note 1)	7 V
Input voltage	5.5 V
Low-level driver output current	100 mA
Continuous total dissipation at (or below) 25°C free-air temperature (see Note 2):	
DW package	1350 mW
N package	1700 mW
Operating free-air temperature range	0°C to 70°C
Storage temperature range	-65°C to 150°C
Lead temperature 1,6 mm (1/16 inch) from the case for 10 seconds: DW or N package	260°C

- NOTES: 1. All voltage values are with respect to network ground terminal.
 2. For operation above 25°C free-air temperature, derate the DW package to 864 mW at 70°C at the rate of 10.8 mW/°C, and derate the N package to 1088 mW at 70°C at the rate of 13.6 mW/°C.

recommended operating conditions

		MIN	TYP	MAX	UNIT
Supply voltage, V_{CC}		4.75	5.0	5.25	V
High-level input voltage, V_{IH}		2			V
Low-level input voltage, V_{IL}				0.8	V
High-level output current, I_{OH}	Bus ports with 3-state outputs			-5.2	mA
	Terminal ports			-800	μ A
Low-level output current, I_{OL}	Bus ports			48	mA
	Terminal ports			16	mA
Operating free-air temperature, T_A		0		70	°C

SN75ALS162
OCTAL GENERAL-PURPOSE INTERFACE BUS TRANSCEIVER

electrical characteristics over recommended ranges of supply voltage and operating free-air temperature (unless otherwise noted)

PARAMETER		TEST CONDITIONS		MIN	TYP [†]	MAX	UNIT
V _{IK}	Input clamp voltage	I _I = -18 mA		-0.8	-1.5		V
V _{hys}	Hysteresis (V _{T+} - V _{T-})	Bus		0.4	0.65		V
V _{OH} [‡]	High-level output voltage	Terminal	I _{OH} = -800 μA	2.7	3.5		V
		Bus	I _{OH} = -5.2 mA	2.5	3.3		
V _{OL}	Low-level output voltage	Terminal	I _{OL} = 16 mA		0.3	0.5	V
		Bus	I _{OL} = 48 mA		0.35	0.5	
I _I	Input current at maximum input voltage	Terminal	V _I = 5.5 V		0.2	100	μA
I _{IH}	High-level input current	Terminal and control inputs	V _I = 2.7 V		0.1	20	μA
I _{IL}	Low-level input current		V _I = 0.5 V		-10	-100	
V _{I/O(bus)}	Voltage at bus port	Driver disabled	I _{I(bus)} = 0	2.5	3.0	3.7	V
			I _{I(bus)} = -12 mA			-1.5	
I _{I/O(bus)}	Current into bus port	Power on	Driver disabled	V _{I(bus)} = -1.5 V to 0.4 V	-1.3		mA
				V _{I(bus)} = 0.4 V to 2.5 V	0	-3.2	
				V _{I(bus)} = 2.5 V to 3.7 V		+2.5	
				V _{I(bus)} = 3.7 V to 5 V	0	2.5	
				V _{I(bus)} = 5 V to 5.5 V	0.7	2.5	
				V _{CC} = 0, V _{I(bus)} = 0 to 2.5 V		-40	
I _{OS}	Short-circuit output current	Terminal		-15	-35	-75	mA
		Bus		-25	-50	-125	
I _{CC}	Supply current	No load, TE, DC, and SC low			55	75	mA
C _{i/o(bus)}	Bus-port capacitance	V _{CC} = 5 V to 0, V _{I/O} = 0 to 2 V, f = 1 MHz			30		pF

[†]All typical values are at V_{CC} = 5 V, T_A = 25°C.

[‡]V_{OH} applies for 3-state outputs only.

SN75ALS162

OCTAL GENERAL-PURPOSE INTERFACE BUS TRANSCEIVER

switching characteristics over recommended range of operating free-air temperature (unless otherwise noted), $V_{CC} = 5\text{ V}$

PARAMETER	FROM	TO	TEST CONDITIONS	MIN	TYP†	MAX	UNIT
t_{PLH} Propagation delay time, low-to-high-level output	Terminal	Bus	$C_L = 30\text{ pF}$, See Figure 1	10	20	ns	
t_{PHL} Propagation delay time, high-to-low-level output				12	20		
t_{PLH} Propagation delay time, low-to-high-level output	Bus	Terminal	$C_L = 30\text{ pF}$, See Figure 2	5	10	ns	
t_{PHL} Propagation delay time, high-to-low-level output				7	14		
t_{pZH} Output enable time to high level	TE, DC, or SC	BUS (ATTN, EOI, REN, IFC, and DAV)	$C_L = 15\text{ pF}$, See Figure 3	30	ns		
t_{pHZ} Output disable time from high level				20			
t_{pZL} Output enable time to low level				45			
t_{pLZ} Output disable time from low level				20			
t_{pZH} Output enable time to high level	TE, DC, or SC	Terminal	$C_L = 15\text{ pF}$, See Figure 4	30	ns		
t_{pHZ} Output disable time from high level				25			
t_{pZL} Output enable time to low level				30			
t_{pLZ} Output disable time from low level				25			

†All typical values are at $T_A = -25^\circ\text{C}$.

PARAMETER MEASUREMENT INFORMATION

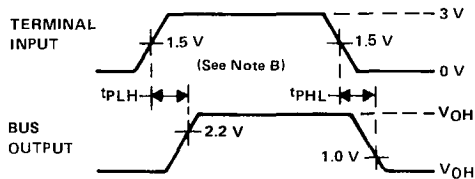
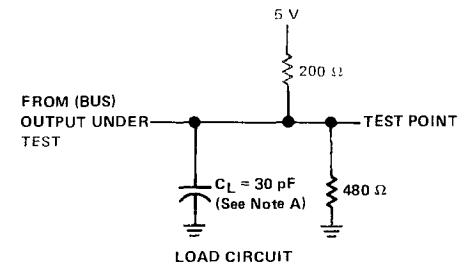


FIGURE 1. TERMINAL-TO-BUS PROPAGATION DELAY TIMES

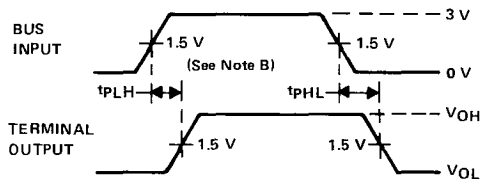
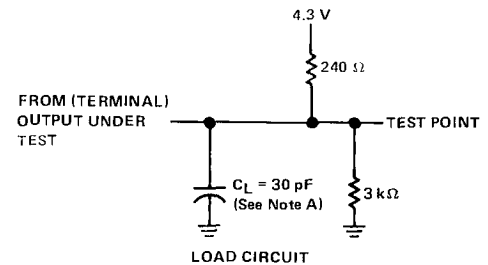
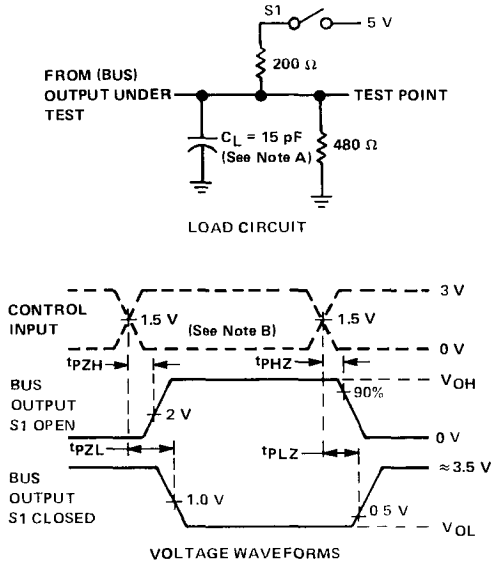


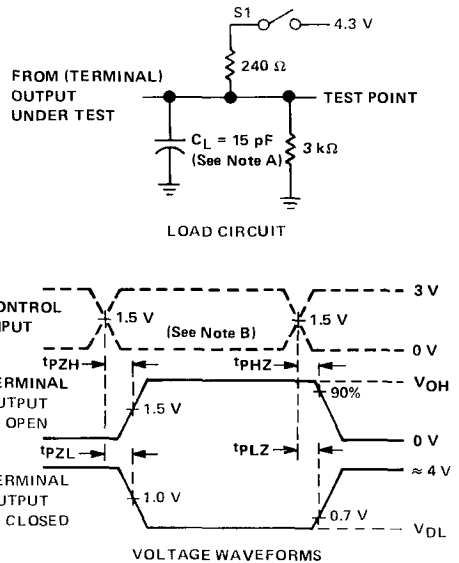
FIGURE 2. BUS-TO-TERMINAL PROPAGATION DELAY TIMES

- NOTES: A. C_L includes probe and jig capacitance.
 B. The input pulse is supplied by a generator having the following characteristics: PRR $\leq 1\text{ MHz}$, 50% duty cycle, $t_r \leq 6\text{ ns}$, $t_f \leq 6\text{ ns}$, $Z_{out} = 50\ \Omega$.

PARAMETER MEASUREMENT INFORMATION



**FIGURE 3. BUS ENABLE AND
DISABLE TIMES**



**FIGURE 4. TERMINAL ENABLE
AND DISABLE TIMES**

- NOTES: A. C_L includes probe and jig capacitance.
 B. The input pulse is supplied by a generator having the following characteristics: $PRR \leq 1$ MHz, 50% duty cycle, $t_r \leq 6$ ns, $t_f \leq 6$ ns, $Z_{out} = 50 \Omega$.

SN75ALS162
OCTAL GENERAL-PURPOSE INTERFACE BUS TRANSCEIVER

TYPICAL CHARACTERISTICS

TERMINAL HIGH-LEVEL OUTPUT VOLTAGE
 vs
 HIGH-LEVEL OUTPUT CURRENT

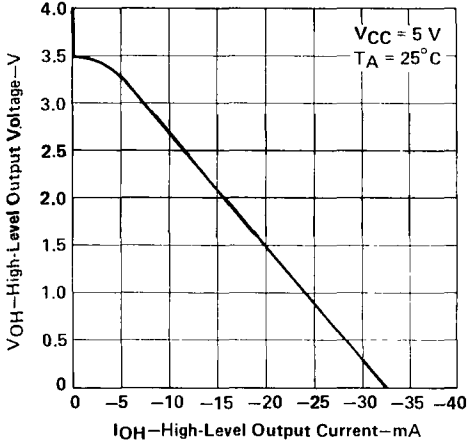


FIGURE 5

TERMINAL LOW-LEVEL OUTPUT VOLTAGE
 vs
 LOW-LEVEL OUTPUT CURRENT

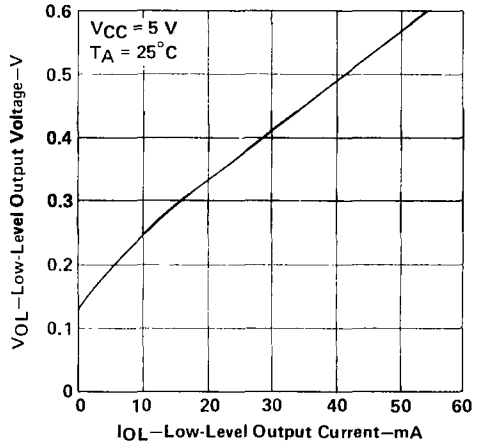


FIGURE 6

TERMINAL OUTPUT VOLTAGE
 vs
 BUS INPUT VOLTAGE

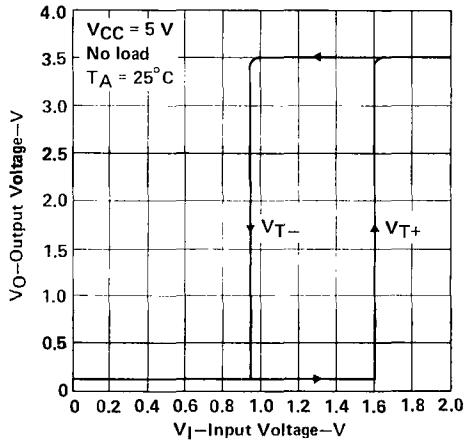
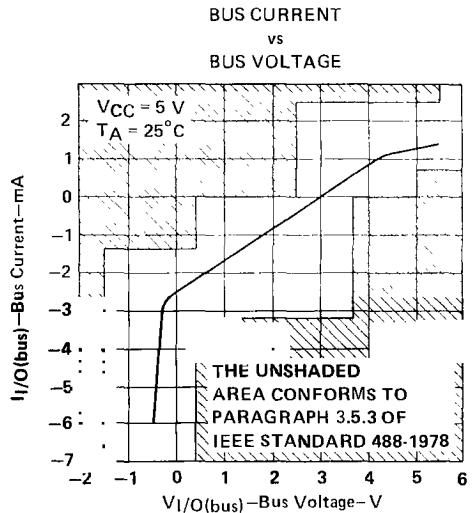
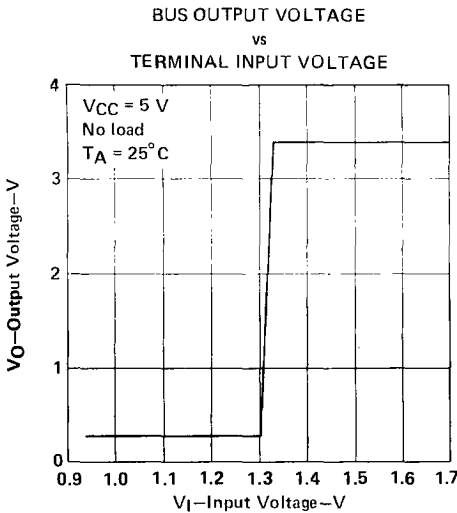
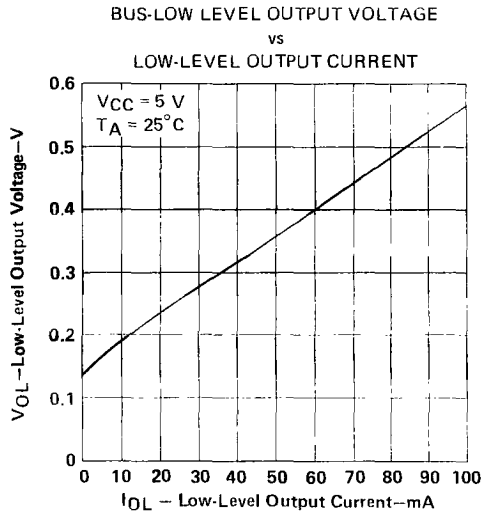
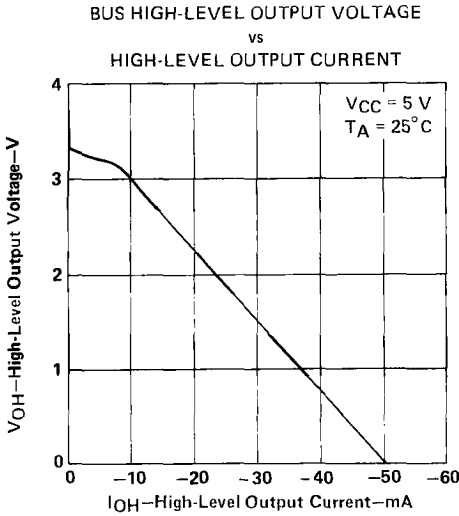


FIGURE 7

TYPICAL CHARACTERISTICS





SN75ALS163 OCTAL GENERAL-PURPOSE INTERFACE BUS TRANSCEIVER

D2611, JUNE 1986—REVISED SEPTEMBER 1989

- 8-Channel Bidirectional Transceivers
- High-Speed Advanced Low-Power Schottky Circuitry
- Low Power Dissipation . . . 46 mW Max per Channel
- Fast Propagation Times . . . 20 ns Max
- High-Impedance P-N-P Inputs
- Receiver Hysteresis . . . 650 mV Typ
- Open-Collector Driver Output Option
- No Loading of Bus When Device Is Powered Down ($V_{CC} = 0$)
- Power-Up/Power-Down Protection (Glitch-Free)

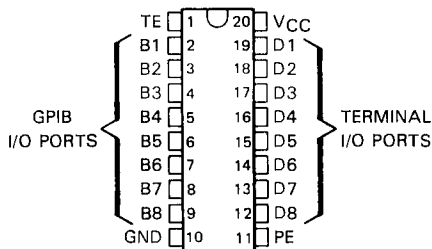
description

The SN75ALS163 octal general-purpose interface bus transceiver is a monolithic, high-speed, Advanced Low-Power Schottky device. It is designed for two-way data communications over single-ended transmission lines. The transceiver features driver outputs that can be operated in either the open-collector or 3-state mode. If Talk Enable (TE) is high, these outputs have the characteristics of open-collector outputs when Pullup Enable (PE) is low and of 3-state outputs when PE is high. Taking TE low places the outputs in the high-impedance state. The driver outputs are designed to handle loads of up to 48 mA of sink current. Each receiver features p-n-p transistor inputs for high input impedance and 400 mV minimum of hysteresis for increased noise immunity.

Output glitches during power-up and power-down are eliminated by an internal circuit that disables both the bus and receiver outputs. The outputs do not load the bus when $V_{CC} = 0$.

The SN75ALS163 is characterized for operation from 0°C to 70°C.

DW, J, OR N PACKAGE
(TOP VIEW)



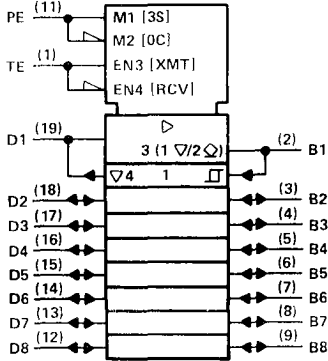
FUNCTION TABLES

EACH DRIVER				EACH RECEIVER			
INPUTS			OUTPUT	INPUTS			OUTPUT
D	TE	PE	B	B	TE	PE	D
H	H	H	H	L	L	X	L
L	H	X	L	H	L	X	H
H	X	L	Z	X	H	X	Z
X	L	X	Z				

H = high level, L = low level, X = irrelevant, Z = High-impedance state.

SN75ALS163 OCTAL GENERAL-PURPOSE INTERFACE BUS TRANSCEIVER

logic symbol †

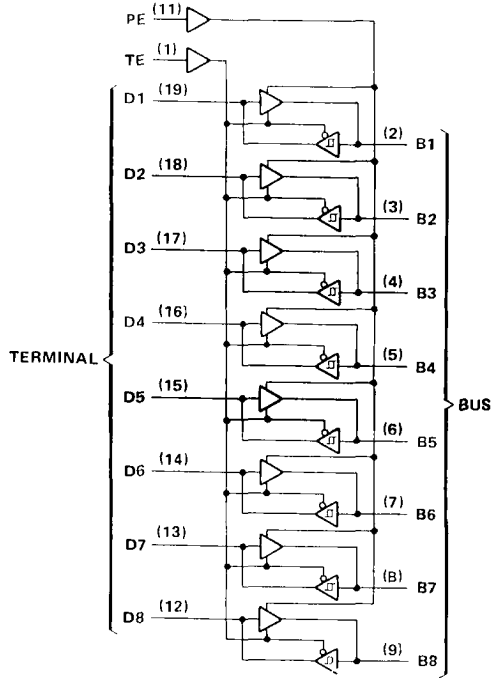


† This symbol is in accordance with ANSI/IEEE Std 91-1984 and IEC Publication 617-12.

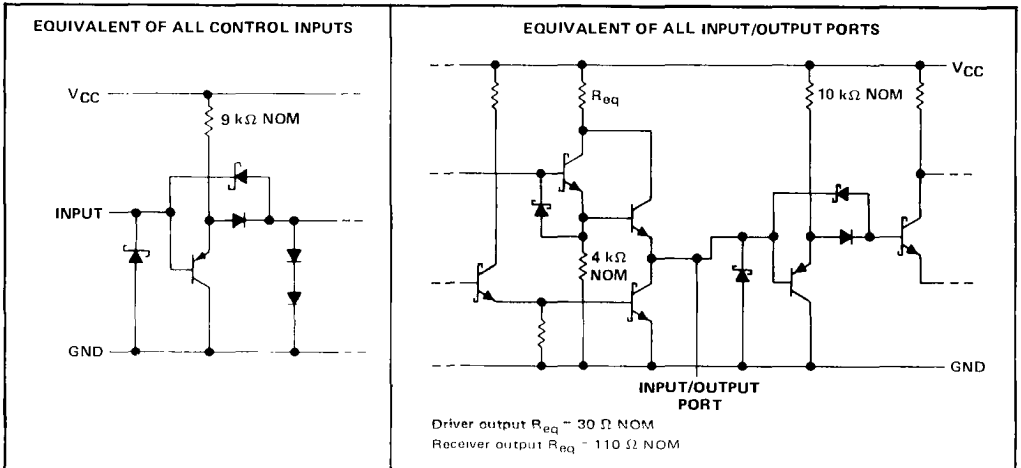
▽ Designates 3-state outputs.

⊕ Designates open-collector outputs

logic diagram (positive logic)



schematics of inputs and outputs



SN75ALS163
OCTAL GENERAL-PURPOSE INTERFACE BUS TRANSCEIVER

absolute maximum ratings over operating free-air temperature range (unless otherwise noted)

Supply voltage, V_{CC} (see Note 1)	7 V
Input voltage	5.5 V
Low-level driver output current	100 mA
Continuous total dissipation	See Dissipation Rating Table
Operating free-air temperature range	0°C to 70°C
Storage temperature range	-65°C to 150°C
Lead temperature 1,6 mm (1/16) inch from the case for 60 seconds: J package	300°C
Lead temperature 1,6 mm (1/16) inch from the case for 10 seconds: DW or N package	260°C

NOTE: 1. All voltage values are with respect to network ground terminal.

DISSIPATION RATING TABLE

PACKAGE	$T_A \leq 25^{\circ}\text{C}$	DERATING	$T_A = 70^{\circ}\text{C}$
	POWER RATING	FACTOR	POWER RATING
DW	1125 mW	9.0 mW/ $^{\circ}\text{C}$	720 mW
J	1025 mW	8.2 mW/ $^{\circ}\text{C}$	656 mW
N	1150 mW	9.2 mW/ $^{\circ}\text{C}$	736 mW

recommended operating conditions

		MIN	NOM	MAX	UNIT
Supply voltage, V_{CC}		4.75	5	5.25	V
High-level input voltage, V_{IH}		2			V
Low-level input voltage, V_{IL}		0.8			V
High-level output current, I_{OH}	Bus ports with pullups active	-5.2			mA
	Terminal ports	-800			μA
Low-level output current, I_{OL}	Bus ports	48			mA
	Terminal ports	16			
Operating free-air temperature range, T_A		0	70		$^{\circ}\text{C}$

SN75ALS163

OCTAL GENERAL-PURPOSE INTERFACE BUS TRANSCEIVER

electrical characteristics over recommended ranges of supply voltage and operating free-air temperature (unless otherwise noted)

PARAMETER		TEST CONDITIONS		MIN	TYP [†]	MAX	UNIT	
V _{IK}	Input clamp voltage	I _I = -18 mA		-0.8	-1.5		V	
V _{hys}	Hysteresis (V _{T+} - V _{T-})	Bus		0.4	0.65		V	
V _{OH} [‡]	High-level output voltage	Terminal	I _{OH} = -800 μA, TE at 0.8 V	2.7	3.5		V	
		Bus	I _{OH} = -5.2 mA, PE and TE at 2 V	2.5	3.3			
V _{OL}	Low-level output voltage	Terminal	I _{OL} = 16 mA, TE at 0.8 V			0.5	V	
		Bus	I _{OL} = 48 mA, TE at 2 V	0.35		0.5		
I _{OH}	High-level output current (open-collector mode)	Bus		V _O = 5.5 V, PE at 0.8 V, D and TE at 2 V		100	μA	
I _{OZ}	Off-state output current (3-state mode)	Bus		PE at 2 V, TE at 0.8 V	V _O = 2.7 V	20	μA	
					V _O = 0.5 V	-100		
I _I	Input current at maximum input voltage	Terminal	V _I = 5.5 V		0.2	100	μA	
I _{IH}	High-level input current	Terminal,	V _I = 2.7 V		0.1	20	μA	
I _{IL}	Low-level input current	PE, or TE	V _I = 0.5 V		-10	-100	μA	
I _{OS}	Short-circuit output current	Terminal			-15	-35	-75	mA
		Bus			-25	-50	-125	
I _{CC}	Supply current	No load		Terminal outputs low and enabled		42	65	mA
				Bus outputs low and enabled		52	80	
C _{i/o(bus)}	Bus-port capacitance	V _{CC} = 5 V or 0, V _{I/O} = 0 to 2 V, f = 1 MHz		30			pF	

[†]All typical values are at V_{CC} = 5 V, T_A = 25°C.

[‡]Hysteresis is the difference between the positive-going input threshold voltage, V_{T+}, and the negative-going input threshold voltage, V_{T-}.

switching characteristics over recommended range of operating free-air temperature (unless otherwise noted), V_{CC} = 5 V

PARAMETER		FROM	TO	TEST CONDITIONS	MIN	TYP [§]	MAX	UNIT
t _{PLH}	Propagation delay time, low-to-high-level output	Terminal	Bus	C _L = 30 pF, See Figure 1	7		20	ns
					8		20	
t _{PHL}	Propagation delay time, high-to-low-level output	Bus	Terminal	C _L = 30 pF, See Figure 2	7		14	ns
					9		14	
t _{PZH}	Output enable time to high level	TE	Bus	C _L = 15 pF, See Figure 3	19		30	ns
t _{PHZ}	Output disable time from high level				5		12	
t _{PZL}	Output enable time to low level				16		35	
t _{PLZ}	Output disable time from low level				9		20	
t _{PZH}	Output enable time to high level	TE	Terminal	C _L = 15 pF, See Figure 4	13		30	ns
t _{PHZ}	Output disable time from high level				12		20	
t _{PZL}	Output enable time to low level				12		20	
t _{PLZ}	Output disable time from low level				11		20	
t _{en}	Output pull-up enable time	PE	Bus	C _L = 15 pF, See Figure 5	11		22	ns
t _{djs}	Output pull-up disable time				6		12	

[§]All typical values are at T_A = 25°C.

PARAMETER MEASUREMENT INFORMATION

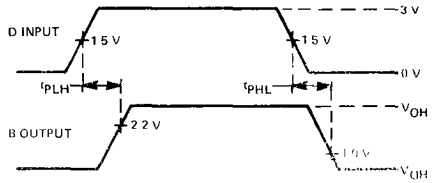
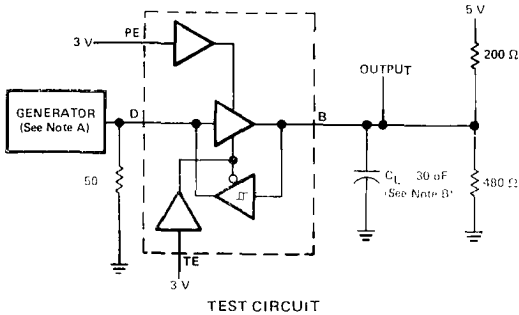


FIGURE 1. TERMINAL-TO-BUS PROPAGATION DELAY TIMES

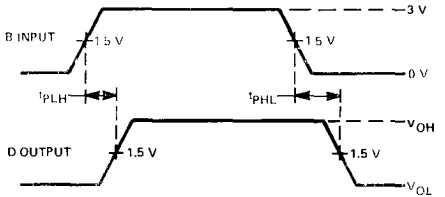
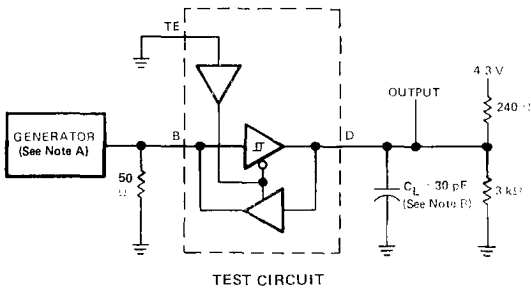


FIGURE 2. BUS-TO-TERMINAL PROPAGATION DELAY TIMES

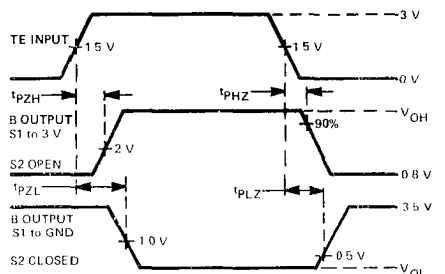
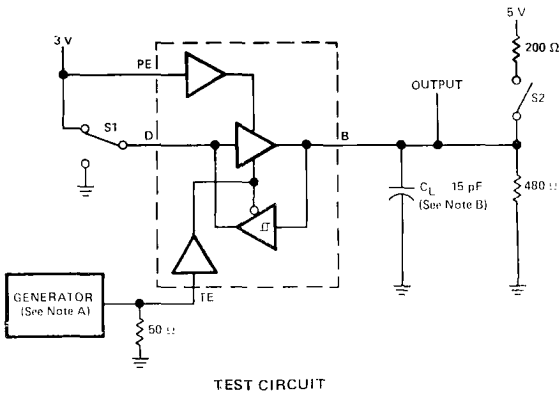


FIGURE 3. TE-TO-BUS ENABLE AND DISABLE TIMES

NOTES: A. The input pulse is supplied by a generator having the following characteristics: PRR \leq 1 MHz, 50% duty cycle, $t_r \leq$ 6 ns, $t_f \leq$ 6 ns, $Z_{out} = 50 \Omega$.
B. C_L includes probe and jig capacitance.

SN75ALS163
OCTAL GENERAL-PURPOSE INTERFACE BUS TRANSCEIVER

PARAMETER MEASUREMENT INFORMATION

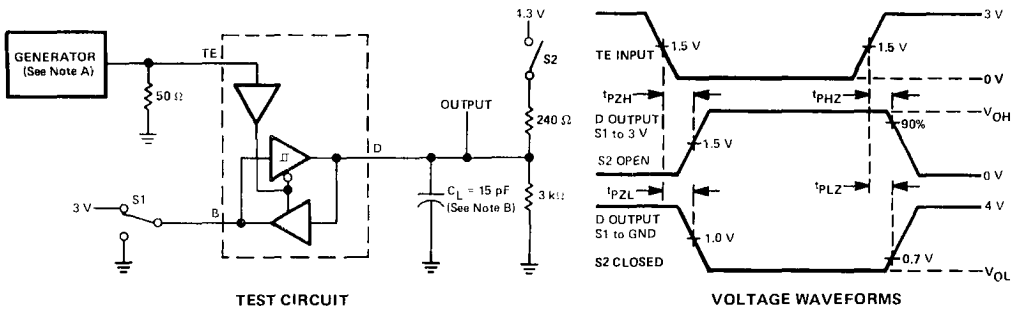


FIGURE 4. TE-TO-TERMINAL ENABLE AND DISABLE TIMES

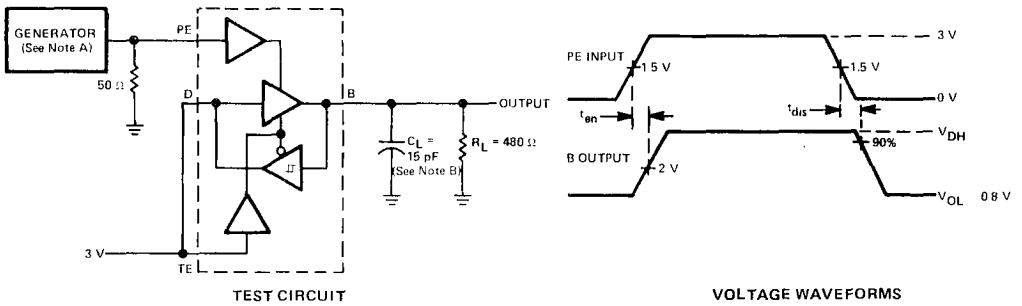


FIGURE 5. PE-TO-BUS PULLUP ENABLE AND DISABLE TIMES

- NOTES: A. The input pulse is supplied by a generator having the following characteristics: PRR \leq 1 MHz, 50% duty cycle, $t_r \leq$ 6 ns, $t_f \leq$ 6 ns, $Z_{out} = 50 \Omega$.
 B. C_L includes probe and jig capacitance.

TYPICAL CHARACTERISTICS

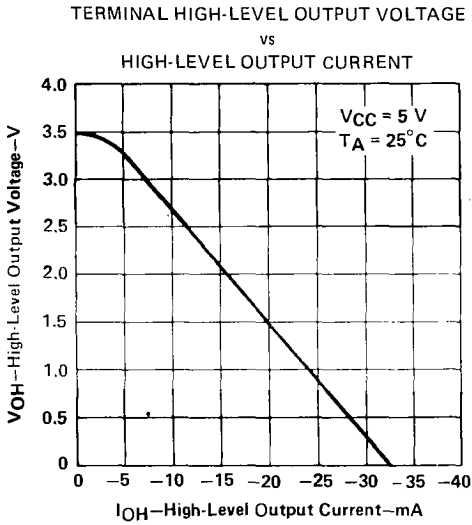


FIGURE 6

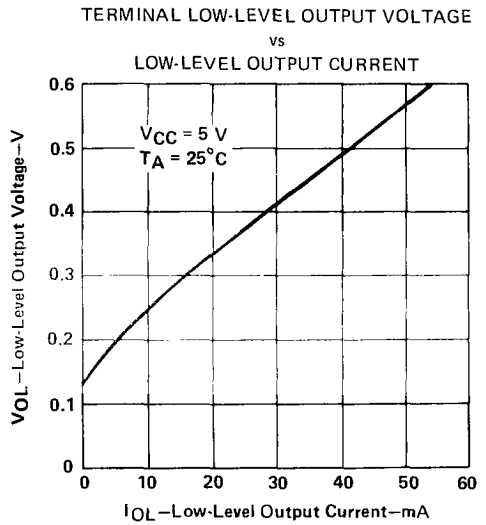


FIGURE 7

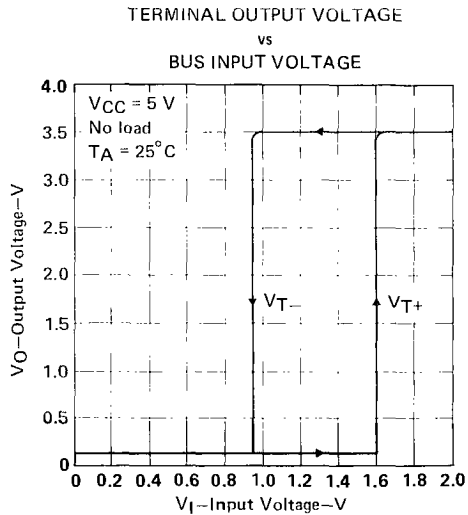


FIGURE 8

SN75ALS163
OCTAL GENERAL-PURPOSE INTERFACE BUS TRANSCEIVER

TYPICAL CHARACTERISTICS

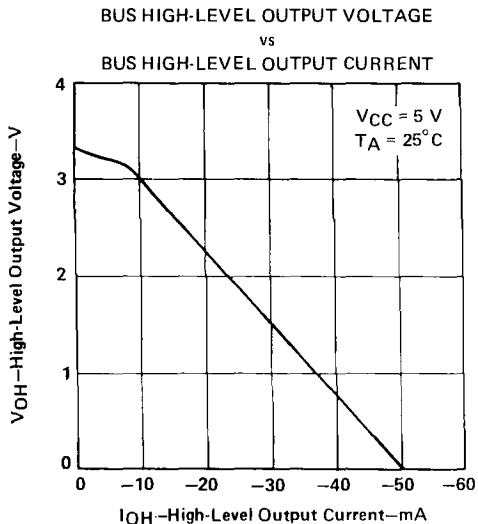


FIGURE 9

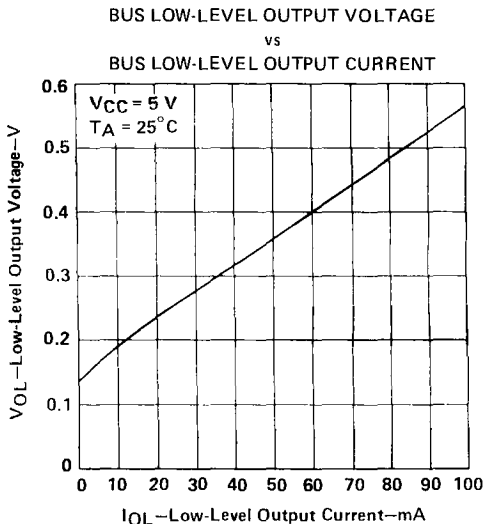


FIGURE 10

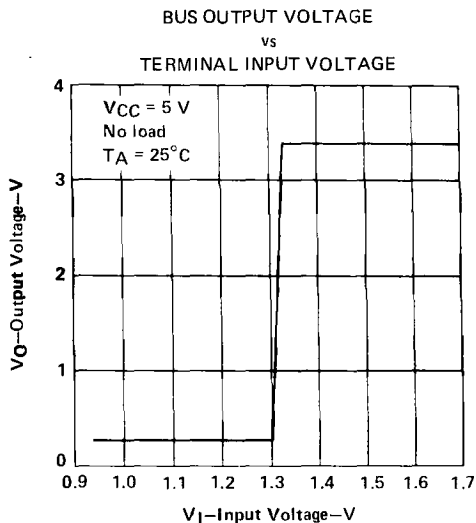


FIGURE 11

SN75ALS164

OCTAL GENERAL-PURPOSE INTERFACE BUS TRANSCEIVER

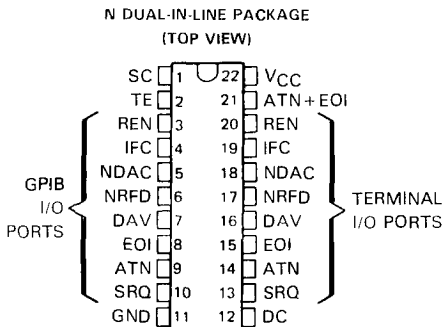
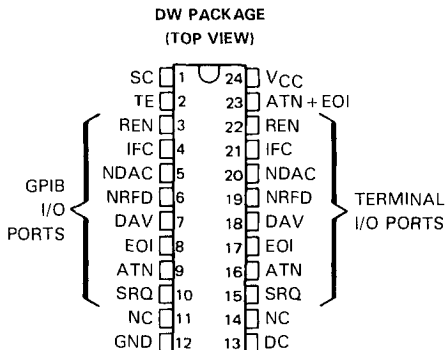
D2908, JUNE 1986—REVISED AUGUST 1989

- 8-Channel Bidirectional Transceiver
- Designed to Implement Control Bus Interface
- Designed for Multicontrollers
- High-Speed Advanced Low-Power Schottky Circuitry
- Low Power Dissipation . . . 46 mW Max per Channel
- Fast Propagation Times . . . 20 ns Max
- High-Impedance P-N-P Inputs
- Receiver Hysteresis . . . 650 mV Typ
- Bus-Terminating Resistors Provided on Driver Outputs
- No Loading of Bus When Device Is Powered Down ($V_{CC} = 0$)
- Power-Up/Power-Down Protection (Glitch-Free)

description

The SN75ALS164 eight-channel general-purpose interface bus transceiver is a monolithic, high-speed, Advanced Low-Power Schottky device designed to meet the requirements of IEEE Standard 488-1978. Each transceiver is designed to provide the bus-management and data-transfer signals between operating units of a multiple-controller instrumentation system. When combined with the SN75ALS160 octal bus transceiver, the SN75ALS164 provides the complete 16-wire interface for the IEEE 488 bus.

The SN75ALS164 features eight driver-receiver pairs connected in a front-to-back configuration to form input/output (I/O) ports at both the bus and terminal sides. All outputs are disabled (at a high-impedance state) during V_{CC} power-up and power-down transitions for glitch-free operation. The direction of data flow through these driver-receiver pairs is determined by the DC, TE, and SC enable signals. The SN75ALS164 is identical to the SN75ALS162 with the addition of an OR gate to help simplify board layouts in several popular applications. The ATN and EOI signals are ORed to pin 21, which is a standard totem-pole output.



NC—No internal connection.

CHANNEL IDENTIFICATION TABLE

NAME	IDENTITY	CLASS
DC TE SC	Direction Control Talk Enable System Control	Control
ATN SRQ REN IFC EOI	Attention Service Request Remote Enable Interface Clear End or Identify	Bus Management
ATN + EOI	ATN logical OR EOI	Logic
DAV NOAC NRFD	Data Valid Not Data Accepted Not Ready for Data	Data Transfer

PRODUCTION DATA documents contain information current as of publication date. Products conform to specifications per the terms of Texas Instruments standard warranty. Production processing does not necessarily include testing of all parameters.


**TEXAS
INSTRUMENTS**

POST OFFICE BOX 655303 • DALLAS, TEXAS 75266

Copyright © 1989, Texas Instruments Incorporated

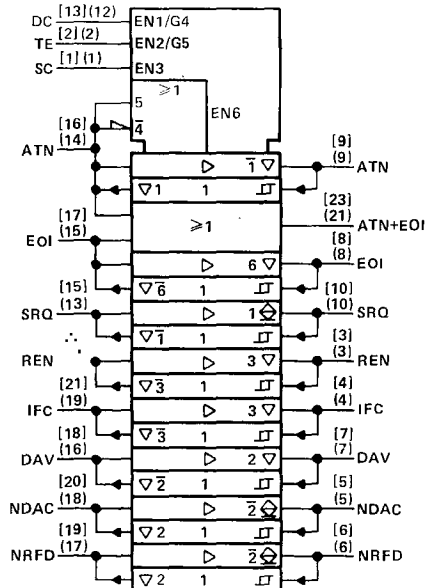
SN75ALS164

OCTAL GENERAL-PURPOSE INTERFACE BUS TRANSCEIVER

The driver outputs (GPIB I/O ports) feature active bus-terminating resistor circuits designed to provide a high impedance to the bus when supply voltage V_{CC} is 0. The drivers are designed to handle loads up to 48 mA of sink current. Each receiver features p-n-p transistor inputs for high input impedance and hysteresis of 400 mV minimum for increased noise immunity. All receivers have 3-state outputs to present a high impedance to the terminal when disabled.

The SN75ALS164 is manufactured in a 22-pin dual-in-line N package and in 24-pin DW package, and is characterized for operation from 0°C to 70°C.

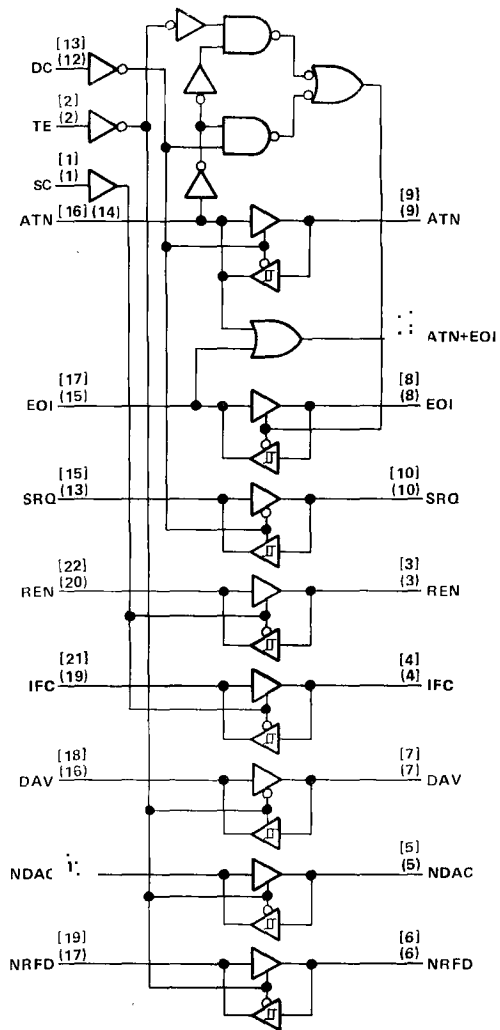
logic symbol†



† This symbol is in accordance with ANSI/IEEE Std 91-1984 and IEC Publication 617-12.

- ▽ Designates 3-state outputs.
- ◇ Designates passive-pullup outputs.

logic diagram (positive logic)



[] Denotes pin numbers for DW package.
 () Denotes pin numbers for N package.

SN75ALS164 OCTAL GENERAL-PURPOSE INTERFACE BUS TRANSCEIVER

RECEIVE/TRANSMIT FUNCTION TABLE

SC	CONTROLS			BUS-MANAGEMENT CHANNELS				DATA-TRANSFER CHANNELS		
	DC	TE	ATN [†]	ATN [†]	SRQ	IFC	EOI	DAV	NDAC	NRFD
				(Controlled by DC)		(Controlled by SC)		(Controlled by TE)		
	H	H	H	R	T		T	T	R	R
	H	H	L				R			
	L	L	H	T	R		R	R	T	T
	L	L	L				T			
	H	L	X	R	T		R	R	T	T
	L	H	X	T	R		T	T	R	R
H						T	T			
L						R	R			

H = high level, L = low level, R = receive, T = transmit, X = irrelevant

Direction of data transmission is from the terminal side to the bus side, and the direction of data receiving is from the bus side to the terminal side. Data transfer is noninverting in both directions.

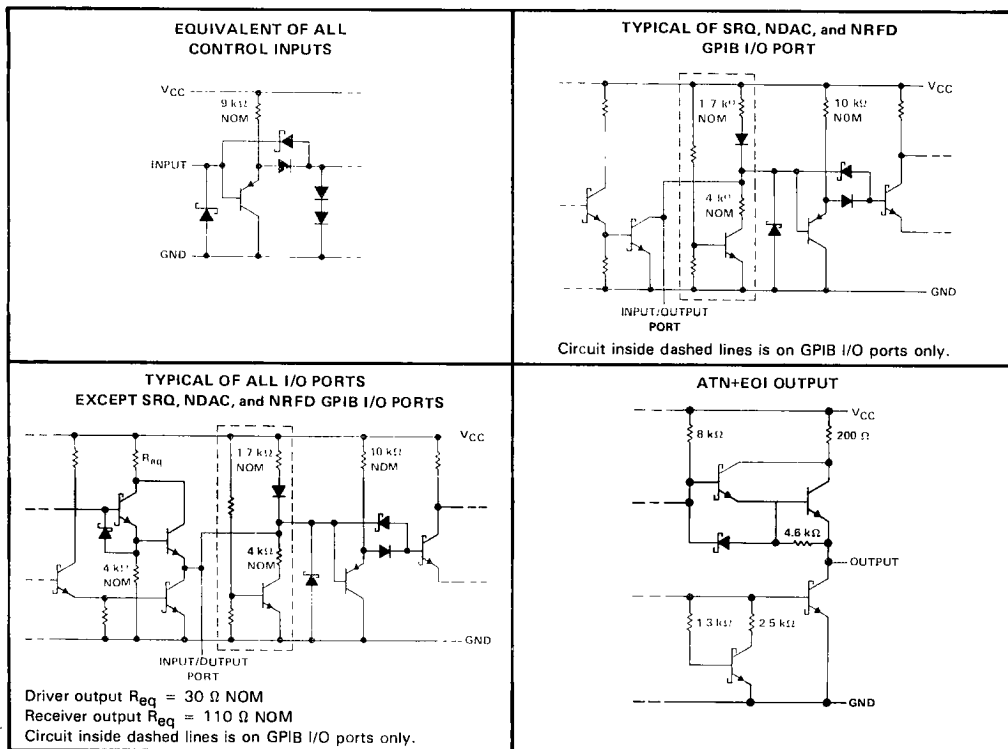
[†]ATN is a normal transceiver channel that functions additionally as an internal direction control or talk enable for EOI whenever the DC and TE inputs are in the same state. When DC and TE are in opposite states, the ATN channel functions as an independent transceiver only.

ATN + EOI FUNCTION TABLE

INPUTS		OUTPUT
ATN	EOI	ATN + EOI
H	X	H
X	H	H
L	L	L

SN75ALS164 OCTAL GENERAL-PURPOSE INTERFACE BUS TRANSCEIVER

schematics of inputs and outputs



absolute maximum ratings over operating free-air temperature (unless otherwise noted)

Supply voltage, V_{CC} (see Note 1)	7 V
Input voltage	5.5 V
Low-level driver output current	100 mA
Continuous total dissipation at (or below) 25°C free-air temperature (see Note 2):	
DW package	1350 mW
N package	1700 mW
Operating free-air temperature range	0°C to 70°C
Storage temperature range	-65°C to 150°C
Lead temperature 1,6 mm (1/16) inch from the case for 10 seconds: DW or N package	260°C

- NOTES: 1. All voltage values are with respect to network ground terminal.
2. For operation above 25°C free-air temperature, derate the DW package to 864 mW at 70°C at the rate of 10.8 mW/°C, and derate the N package to 1088 mW at 70°C at the rate of 13.6 mW/°C.

SN75ALS164
OCTAL GENERAL-PURPOSE INTERFACE BUS TRANSCEIVER

recommended operating conditions

		MIN	NOM	MAX	UNIT
Supply voltage, V_{CC}		4.75	5	5.25	V
High-level input voltage, V_{IH}		2			V
Low-level input voltage, V_{IL}		0.8			V
High-level output current, I_{OH}	Bus ports with 3-state outputs	-5.2			mA
	Terminal ports	-800			μ A
	ATN + EOI	-			
Low-level output current, I_{OL}	Bus ports	4			mA
	Terminal ports	16			
	ATN	4			
Operating free-air temperature, T_A		0			70 °C

electrical characteristics over recommended ranges of supply voltage and operating free-air temperature (unless otherwise noted)

PARAMETER		TEST CONDITIONS		MIN	TYP†	MAX	UNIT			
V_{IK}	Input clamp voltage	$I_I = -18$ mA		-0.8		-1.5	V			
V_{hys}	Hysteresis ($V_{T+} - V_{T-}$)	Bus		0.4	0.65		V			
V_{OH}^{\ddagger}	High-level output voltage	Terminal	$I_{OH} = -800$ μ A	2.7	3.5		V			
		Bus	$I_{OH} = -5.2$ mA	2.5	3.3					
		ATN + EOI	$I_{OH} = -400$ μ A	2.7						
V_{OL}	Low-level output voltage	Terminal	$I_{OL} = 16$ mA		0.3	0.5	V			
		Bus	$I_{OL} = 48$ mA		0.35	0.5				
		ATN + EOI	$I_{OL} = 4$ mA			0.4				
I_I	Input current at maximum input voltage	Terminal [§]	$V_I = 5.5$ V		0.2	100	μ A			
		ATN, EOI	$V_I = 5.5$ V			200				
I_{IH}	High-level input current	Terminal control	$V_I = 2.7$ V		0.1	20	μ A			
		ATN, EOI	$V_I = 2.7$ V			40				
I_{IL}	Low-level input current	Terminal control	$V_I = 0.5$ V		-10	-100	μ A			
		ATN, EOI	$V_I = 0.5$ V			-500				
$V_{I/O(bus)}$	Voltage at bus port	Driver disabled		$I_{I(bus)} = 0$	2.5	3.0	3.7	V		
				$I_{I(bus)} = -12$ mA			-1.5			
$I_{I/O(bus)}$	Current into bus port	Power on	Driver disabled	$V_{I(bus)} = -1.5$ V to 0.4 V	-1.3			mA		
				$V_{I(bus)} = 0.4$ V to 2.5 V	0		-3.2			
				$V_{I(bus)} = 2.5$ V to 3.7 V			+2.5			
		$V_{I(bus)} = 3.7$ V to 5 V		0		2.5				
		$V_{I(bus)} = 5$ V to 5.5 V		0.7		2.5				
		Power off		$V_{CC} = 0$, $V_{I(bus)} = 0$ to 2.5 V					-40	
									μ A	
I_{OS}	Short-circuit output current	Terminal		-15	-35	-75	mA			
		Bus		-25	-50	-125				
		ATN + EOI		-10		-100				
I_{CC}	Supply current	No load, TE, DC, and SC low		55	75		mA			
$C_{I/O(bus)}$	Bus-port capacitance	$V_{CC} = 5$ V to 0, $V_{I/O} = 0$ to 2 V, $f = 1$ MHz		30			pF			

† All typical values are at $V_{CC} = 5$ V, $T_A = 25^\circ$ C.

‡ V_{OH} applies for 3-state outputs only.

§ Except ATN and EOI terminal pins.

SN75ALS164

OCTAL GENERAL-PURPOSE INTERFACE BUS TRANSCEIVER

switching characteristics over recommended range of operating free-air temperature (unless otherwise noted), $V_{CC} = 5\text{ V}$

PARAMETER		FROM	TO	TEST CONDITIONS	MIN	TYP	MAX	UNIT
t _{PLH}	Propagation delay time, low-to-high-level output	Terminal	Bus	C _L = 30 pF, See Figure 1		10	20	ns
t _{PHL}	Propagation delay time, high-to-low-level output					12	20	
t _{PLH}	Propagation delay time, low-to-high-level output	Bus	Terminal	C _L = 30 pF, See Figure 2		5	10	ns
t _{PHL}	Propagation delay time, high-to-low-level output					7	14	
t _{PLH}	Propagation delay time, low-to-high-level output	Terminal ATN or Terminal EOI	ATN + EOI	C _L = 15 pF, See Figure 3		3.5	10	ns
t _{PHL}	Propagation delay time, high-to-low-level output	Terminal ATN or Terminal EOI	ATN + EOI	C _L = 15 pF, See Figure 3		7	15	ns
t _{PZH}	Output enable time to high level	TE, DC, or SC	BUS (ATTN, EOI, REN, IFC, and DAV)	C _L = 15 pF, See Figure 4			30	ns
t _{PHZ}	Output disable time from high level						20	
t _{PZL}	Output enable time to low level						45	
t _{PLZ}	Output disable time from low level						20	
t _{PZH}	Output enable time to high level	TE, DC, or SC	Terminal	C _L = 15 pF, See Figure 5			30	ns
t _{PHZ}	Output disable time from high level						25	
t _{PZL}	Output enable time to low level						30	
t _{PLZ}	Output disable time from low level						25	

PARAMETER MEASUREMENT INFORMATION

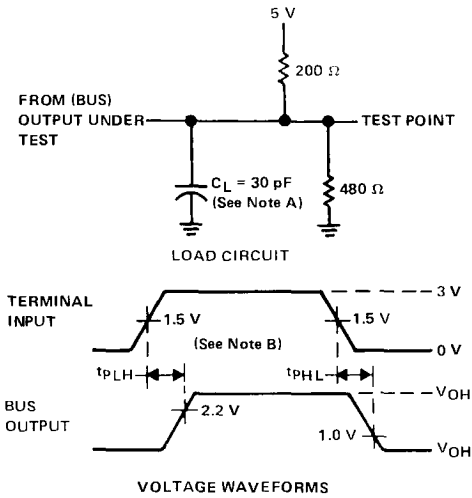


FIGURE 1. TERMINAL-TO-BUS PROPAGATION DELAY TIMES

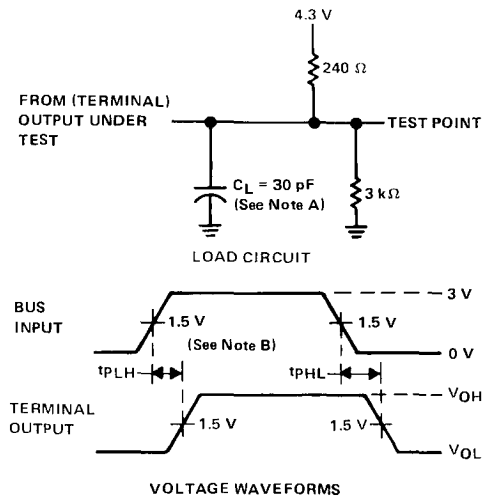


FIGURE 2. BUS-TO-TERMINAL PROPAGATION DELAY TIMES

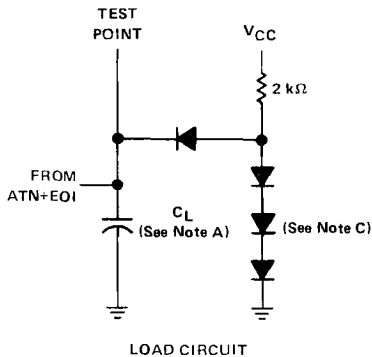


FIGURE 3. ATN + EOI PROPAGATION DELAY TIMES

- NOTES: A. C_L includes probe and jig capacitance.
 B. The input pulse is supplied by a generator having the following characteristics: $PRR \leq 1$ MHz, 50% duty cycle, $t_r \leq 6$ ns, $t_f \leq 6$ ns, $Z_{out} = 50 \Omega$.
 C. All diodes are 1N916 or 1N3064.

SN75ALS164
OCTAL GENERAL-PURPOSE INTERFACE BUS TRANSCEIVER

PARAMETER MEASUREMENT INFORMATION

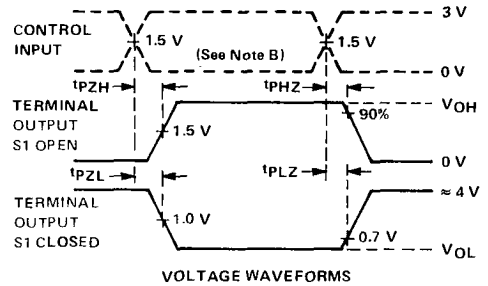
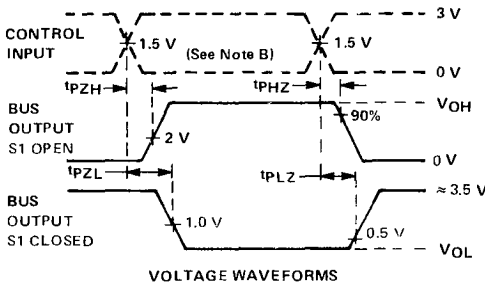
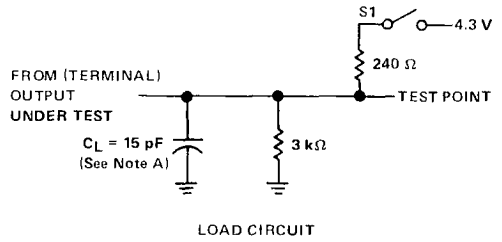
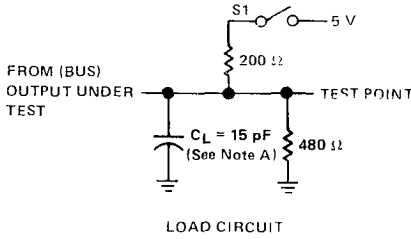


FIGURE 4. BUS ENABLE AND DISABLE TIMES

FIGURE 5. TERMINAL ENABLE AND DISABLE TIMES

NOTES: A. C_L includes probe and jig capacitance.

B. The input pulse is supplied by a generator having the following characteristics: PRR \leq 1 MHz, 50% duty cycle, $t_r \leq$ 6 ns, $t_f \leq$ 6 ns, $Z_{out} = 50 \Omega$.

TYPICAL CHARACTERISTICS

TERMINAL HIGH-LEVEL OUTPUT VOLTAGE
 vs
 HIGH-LEVEL OUTPUT CURRENT

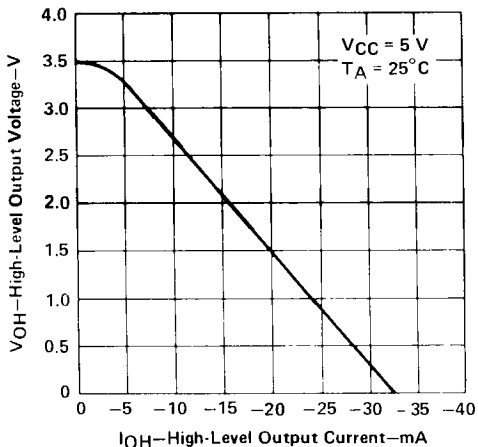


FIGURE 6

TERMINAL LOW-LEVEL OUTPUT VOLTAGE
 vs
 LOW-LEVEL OUTPUT CURRENT

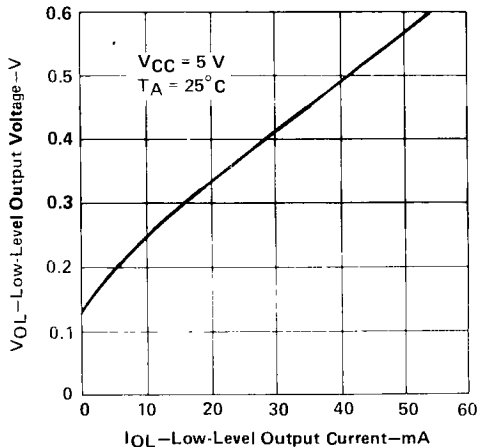


FIGURE 7

TERMINAL OUTPUT VOLTAGE
 vs
 BUS INPUT VOLTAGE

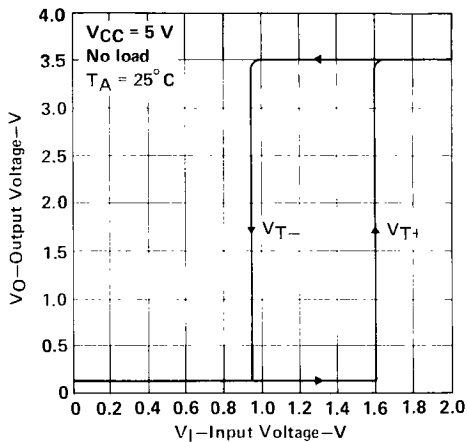


FIGURE 8

TYPICAL CHARACTERISTICS

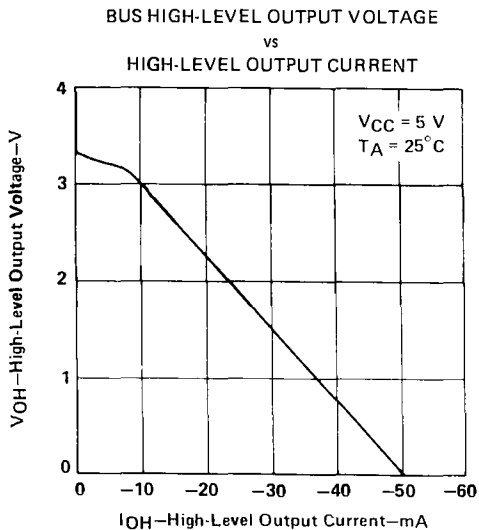


FIGURE 9

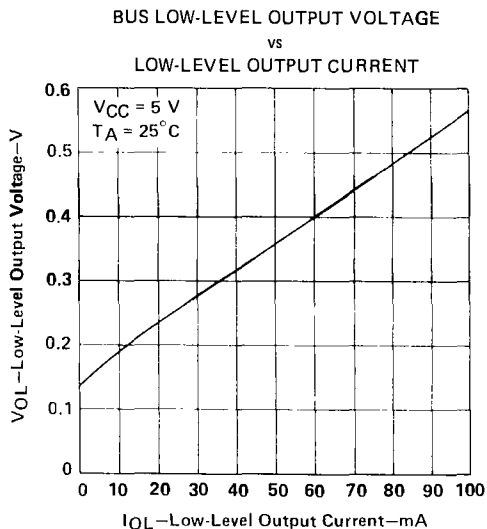


FIGURE 10

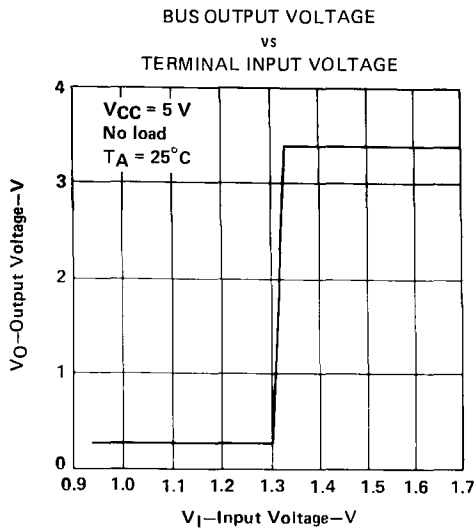


FIGURE 11

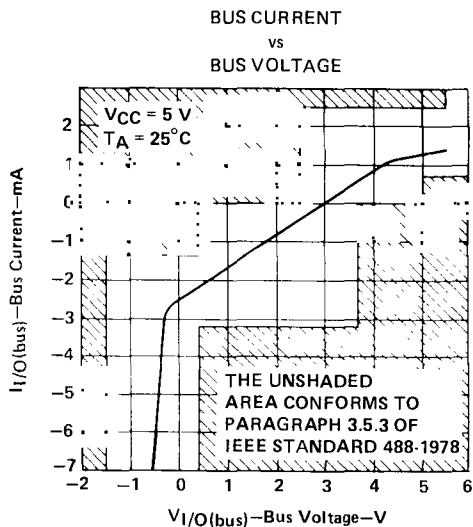


FIGURE 12

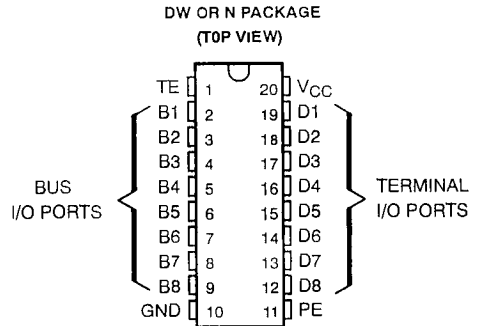
SN75ALS165

OCTAL GENERAL-PURPOSE INTERFACE BUS TRANSCEIVER

D3011, JUNE 1986—REVISED AUGUST 1989

MEETS IEEE STANDARD 488-1978 (GPIB)

- 8-Channel Bidirectional Transceiver
- High-Speed Advanced Low-Power Schottky Circuitry
- Low Power Dissipation . . . 46 mW Max per Channel
- Fast Propagation Times . . . 20 ns Max
- High-Impedance P-N-P Inputs
- Receiver Hysteresis . . . 650 mV Typ
- No Loading of Bus When Device Is Powered Down ($V_{CC} = 0$)
- Power-Up/Power-Down Protection (Glitch-Free)
- Driver and Receiver Can Be Disabled Simultaneously



description

The SN75ALS165 eight-channel general-purpose interface bus transceiver is a monolithic, high-speed, Advanced Low-Power Schottky device designed for two-way data communications over single-ended transmission lines. It is designed to meet the requirements of IEEE Standard 488-1978. The transceiver features driver outputs that can be operated in either the passive-pullup or 3-state mode. If Talk Enable (TE) is high, these ports have the characteristics of passive-pullup outputs when Pullup Enable (PE) is low and of 3-state outputs when PE is high. Taking TE low places these ports in the high-impedance state. Taking TE and PE low places both the drivers and receivers in the high-impedance state. The driver outputs are designed to handle loads up to 48 mA of sink current.

An active turn-off feature is incorporated into the bus-terminating resistors so that the device exhibits a high impedance to the bus when $V_{CC} = 0$. When combined with the SN75ALS161 or SN75ALS162 management bus transceiver, the pair provides the complete 16-wire interface for the IEEE 488 bus.

The SN75ALS165 is manufactured in a 20-pin package and is characterized for operation from 0°C to 70°C.

FUNCTION TABLES

EACH DRIVER				EACH RECEIVER			
INPUTS		OUTPUT		INPUTS		OUTPUT	
D	TE	PE	B	B	TE	PE	D
H	H	H	H	L	L	H	L
L	H	X	L	H	L	H	H
H	X	L	Z [†]	X	H	X	Z
X	L	X	Z [†]	X	X	L	Z

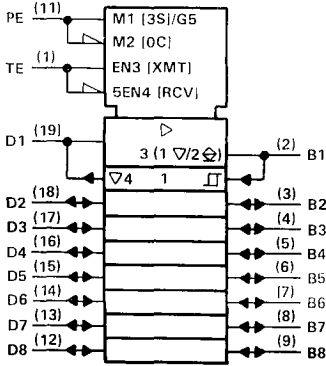
H = high level, L = low level, X = irrelevant,

Z = high impedance state

[†] This is the high impedance state of a normal 3-state output modified by the internal resistors to V_{CC} and ground.

SN75ALS165 OCTAL GENERAL-PURPOSE INTERFACE BUS TRANSCEIVER

logic symbol†

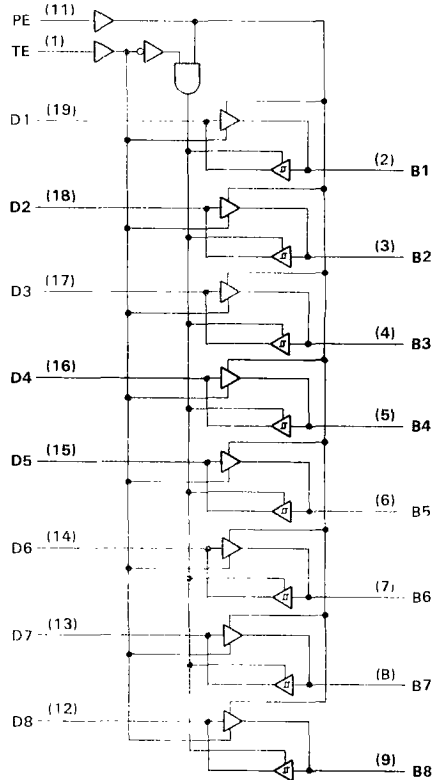


† This symbol is in accordance with ANSI/IEEE Std 91-1984 and IEC Publication 617-12.

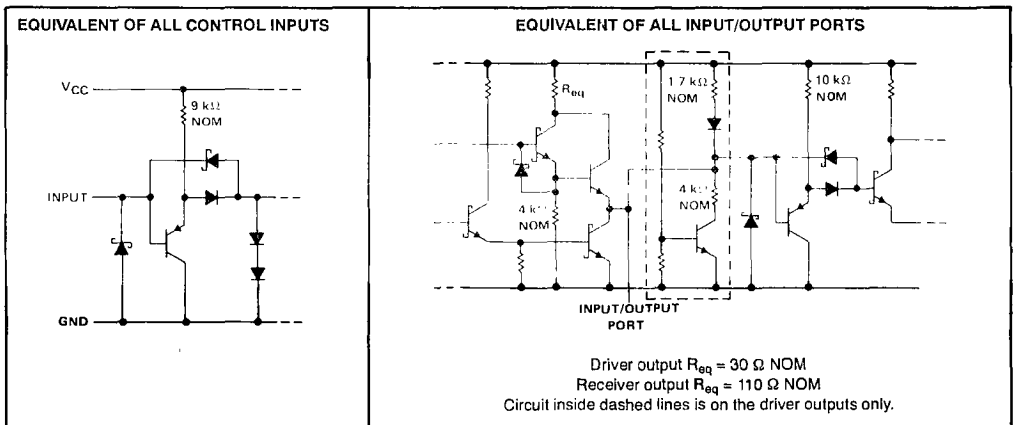
▽ Designates 3-state outputs

⊠ Designates passive-pullup outputs

logic diagram (positive logic)



schematics of inputs and outputs



SN75ALS165

OCTAL GENERAL-PURPOSE INTERFACE BUS TRANSCEIVER

absolute maximum ratings over operating free-air temperature range (unless otherwise noted)

Supply voltage, V_{CC} (see Note 1)	7 V
Input voltage	5.5 V
Low-level driver output current	100 mA
Continuous total power dissipation	See Dissipation Rating Table
Operating free-air temperature range	0°C to 70°C
Storage temperature range	-65°C to 150°C
Lead temperature 1,6 mm (1/16 inch) from the case for 10 seconds	260°C

NOTE 1: All voltage values are with respect to network ground terminal.

DISSIPATION RATING TABLE

PACKAGE	$T_A \leq 25^\circ\text{C}$	DERATING FACTOR	$T_A = 70^\circ\text{C}$
	POWER RATING	ABOVE $T_A = 25^\circ\text{C}$	POWER RATING
DW	1025 mW	8.2 mW/°C	656 mW
N	1150 mW	9.2 mW/°C	736 mW

recommended operating conditions

	MIN	NOM	MAX	UNIT
Supply voltage, V_{CC}	4.75	5	5.25	V
High-level input voltage, V_{IH}	2			V
Low-level input voltage, V_{IL}			0.8	V
High-level output current, I_{OH}	Bus ports with pullups active		-5.2	mA
	Terminal ports		-800	μA
Low-level output current, I_{OL}	Bus ports		48	mA
	Terminal ports		16	
Operating free-air temperature, T_A	0		70	°C

SN75ALS165 OCTAL GENERAL-PURPOSE INTERFACE BUS TRANSCEIVER

electrical characteristics over recommended ranges of supply voltage and operating free-air temperature (unless otherwise noted)

PARAMETER		TEST CONDITIONS		MIN	TYP†	MAX	UNIT
V_{IK}	Input clamp voltage	$I_I = -18 \text{ mA}$		-0.8	1.5		V
V_{hys}	Hysteresis ($V_{T+} - V_{T-}$)	Bus		0.4	0.65		V
V_{OH}^\ddagger	High-level output voltage	Terminal	$I_{OH} = -800 \mu\text{A}$, TE at 0.8 V	2.7	3.5		V
		Bus	$I_{OH} = -5.2 \text{ mA}$, PE and TE at 2 V	2.5	3.3		
V_{OL}	Low-level output voltage	Terminal	$I_{OL} = 16 \text{ mA}$, TE at 0.8 V	0.3	0.5		V
		Bus	$I_{OL} = 48 \text{ mA}$, TE at 2 V	0.35	0.5		
I_I	Input current at maximum input voltage	Terminal	$V_I = 5.5 \text{ V}$	0.2	100		μA
I_{IH}	High-level input current	Terminal and control inputs	$V_I = 2.7 \text{ V}$	0.1	20		μA
I_{IL}	Low-level input current	Terminal and control inputs	$V_I = 0.5 \text{ V}$	-10	-100		μA
$V_{I/O(\text{bus})}$	Voltage at bus port	Driver disabled	$I_{I(\text{bus})} = 0$	2.5	3	3.7	V
			$I_{I(\text{bus})} = -12 \text{ mA}$			-1.5	
$I_{I/O(\text{bus})}$	Current into bus port	Power on	Driver disabled	$V_{I(\text{bus})} = -1.5 \text{ V to } 0.4 \text{ V}$	-1.3		mA
				$V_{I(\text{bus})} = 0.4 \text{ V to } 2.5 \text{ V}$	0	-3.2	
				$V_{I(\text{bus})} = 2.5 \text{ V to } 3.7 \text{ V}$		2.5	
				$V_{I(\text{bus})} = 3.7 \text{ V to } 5 \text{ V}$	0	2.5	
				$V_{I(\text{bus})} = 5 \text{ V to } 5.5 \text{ V}$	0.7	2.5	
		Power off	$V_{CC} = 0$, $V_{I(\text{bus})} = 0 \text{ to } 2.5 \text{ V}$		40	μA	
I_{OS}	Short-circuit output current	Terminal		-15	-35	-75	mA
		Bus		-25	-50	-125	
I_{CC}	Supply current	No load	Terminal outputs low and enabled	42	65		mA
			Bus outputs low and enabled	52	80		
$C_{I/O(\text{bus})}$	Bus-port capacitance	$V_{CC} = 5 \text{ V to } 0$, $f = 1 \text{ MHz}$	$V_{I/O} = 0 \text{ to } 2 \text{ V}$,		30		pF

† All typical values are at $V_{CC} = 5 \text{ V}$, $T_A = 25^\circ\text{C}$.

‡ V_{OH} applies for 3-state outputs only.

SN75ALS165

OCTAL GENERAL-PURPOSE INTERFACE BUS TRANSCEIVER

switching characteristics over recommended range of operating free-air temperature (unless otherwise noted), $V_{CC} = 5\text{ V}$

PARAMETER	FROM	TO	TEST CONDITIONS	MIN	TYP†	MAX	UNIT
t_{PLH} Propagation delay time, low-to-high-level output	Terminal	Bus	$C_L = 30\text{ pF}$, See Figure 1		7	20	ns
t_{PHL} Propagation delay time, high-to-low-level output					8	20	
t_{PLH} Propagation delay time, low-to-high-level output	Bus	Terminal	$C_L = 30\text{ pF}$, See Figure 2		7	14	ns
t_{PHL} Propagation delay time, high-to-low-level output					9	14	
t_{PZH} Output enable time to high level	TE	Bus	$C_L = 15\text{ pF}$, See Figure 3		19	30	ns
t_{PHZ} Output disable time from high level					5	12	
t_{PZL} Output enable time to low level					16	35	
t_{PLZ} Output disable time from low level					9	20	
t_{PZH} Output enable time to high level	TE	Terminal	$C_L = 15\text{ pF}$, See Figure 4		13	30	ns
t_{PHZ} Output disable time from high level					12	20	
t_{PZL} Output enable time to low level					12	20	
t_{PLZ} Output disable time from low level					11	20	
t_{en} Output pull-up enable time	PE	Terminal	$C_L = 15\text{ pF}$, See Figure 5		11	22	ns
t_{dis} Output pull-up disable time					6	12	

† All typical values are at $T_A = 25^\circ\text{C}$.

SN75ALS165 OCTAL GENERAL-PURPOSE INTERFACE BUS TRANSCEIVER

PARAMETER MEASUREMENT INFORMATION

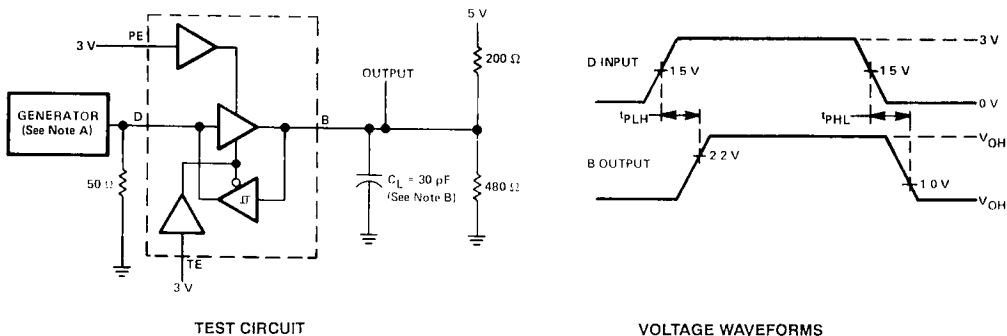


FIGURE 1. TERMINAL-TO-BUS PROPAGATION DELAY TIMES

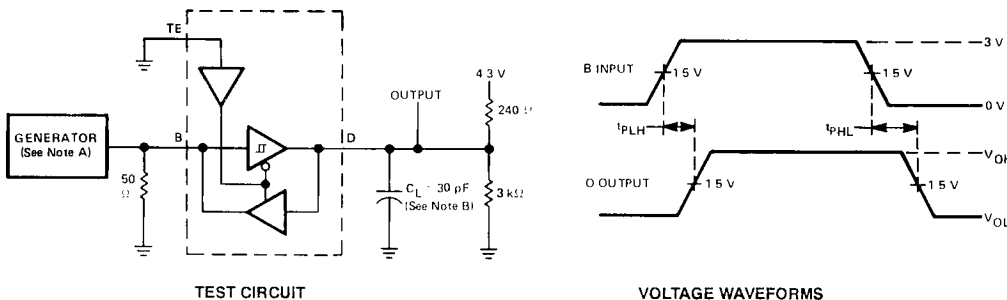


FIGURE 2. BUS-TO-TERMINAL PROPAGATION DELAY TIMES

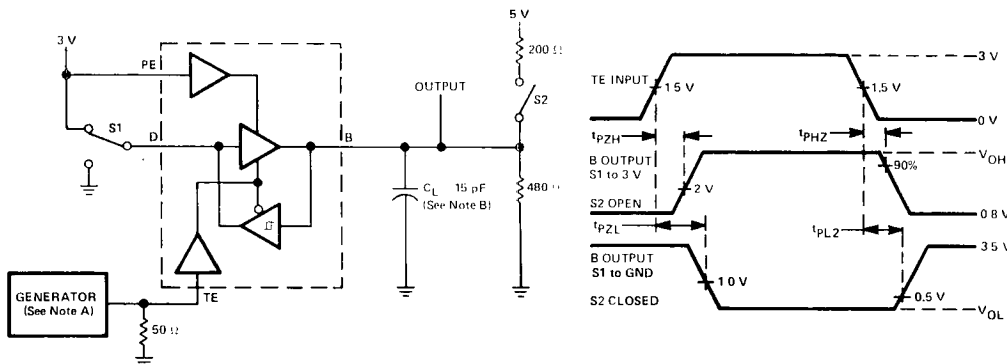


FIGURE 3. TE-TO-BUS ENABLE AND DISABLE TIMES

NOTES: A. The input pulse is supplied by a generator having the following characteristics: PRR \leq 1 MHz, 50% duty cycle, $t_r \leq$ 6 ns, $t_f \leq$ 6 ns, $Z_{out} = 50 \Omega$.

B. C_L includes probe and jig capacitance.

SN75ALS165 OCTAL GENERAL-PURPOSE INTERFACE BUS TRANSCEIVER

PARAMETER MEASUREMENT INFORMATION

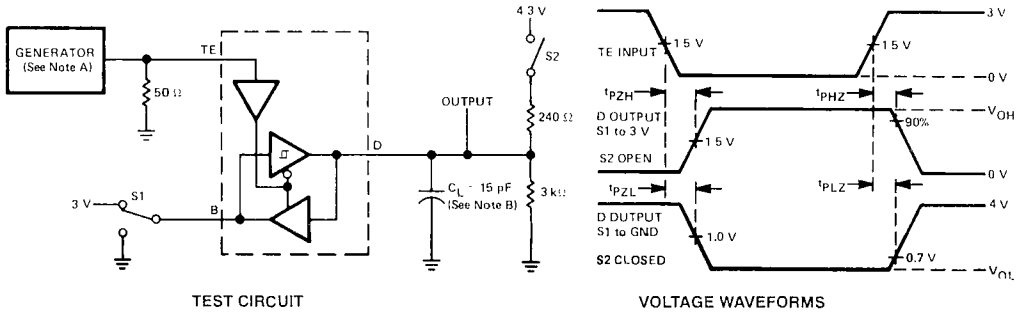


FIGURE 4. TE-TO-TERMINAL ENABLE AND DISABLE TIMES

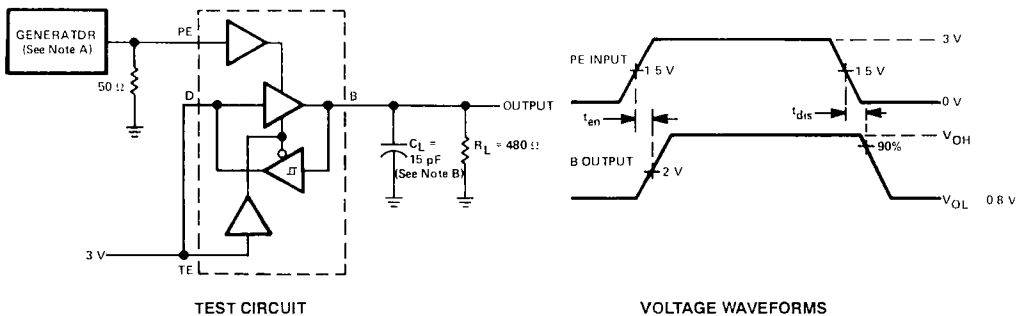


FIGURE 5. PE-TO-BUS PULLUP ENABLE AND DISABLE TIMES

- NOTES: A. The input pulse is supplied by a generator having the following characteristics: PRR \leq 1 MHz, 50% duty cycle, $t_r \leq$ 6 ns, $t_f \leq$ 6 ns, $Z_{out} = 50 \Omega$.
 B. C_L includes probe and jig capacitance.

SN75ALS165 OCTAL GENERAL-PURPOSE INTERFACE BUS TRANSCEIVER

TYPICAL CHARACTERISTICS

TERMINAL HIGH-LEVEL OUTPUT VOLTAGE
vs
HIGH-LEVEL OUTPUT CURRENT

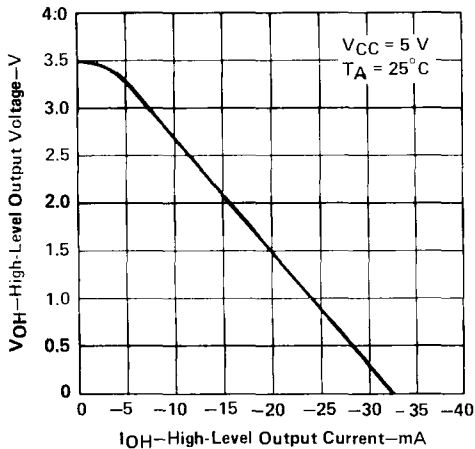


FIGURE 6

TERMINAL LOW-LEVEL OUTPUT VOLTAGE
vs
LOW-LEVEL OUTPUT CURRENT

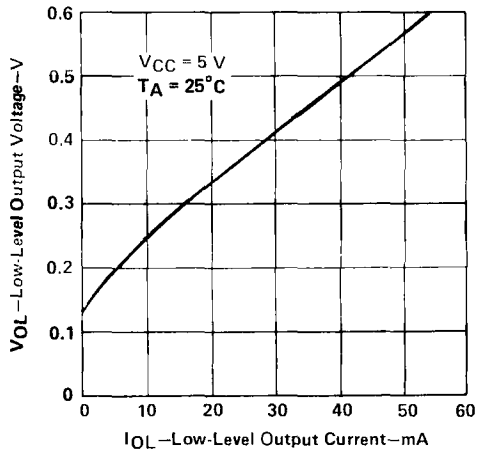


FIGURE 7

TERMINAL OUTPUT VOLTAGE
vs
BUS INPUT VOLTAGE

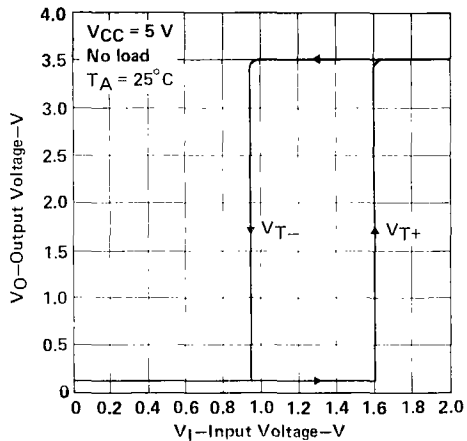


FIGURE 8

TYPICAL CHARACTERISTICS

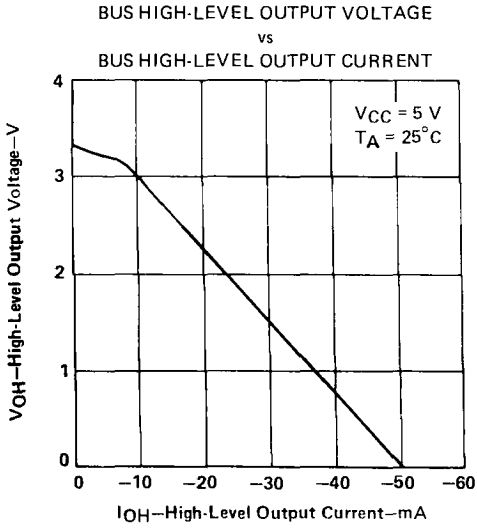


FIGURE 9

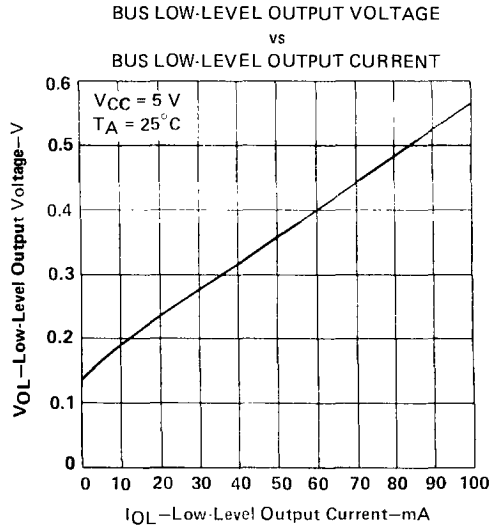


FIGURE 10

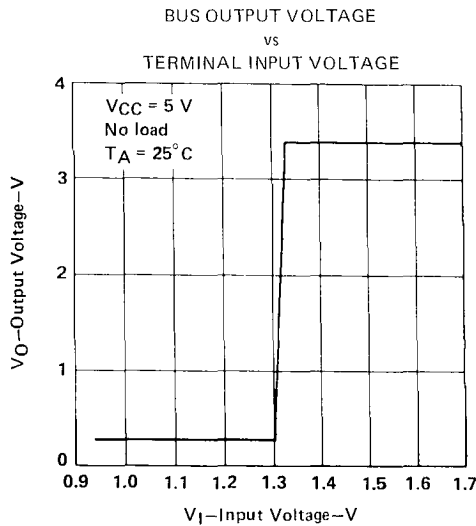
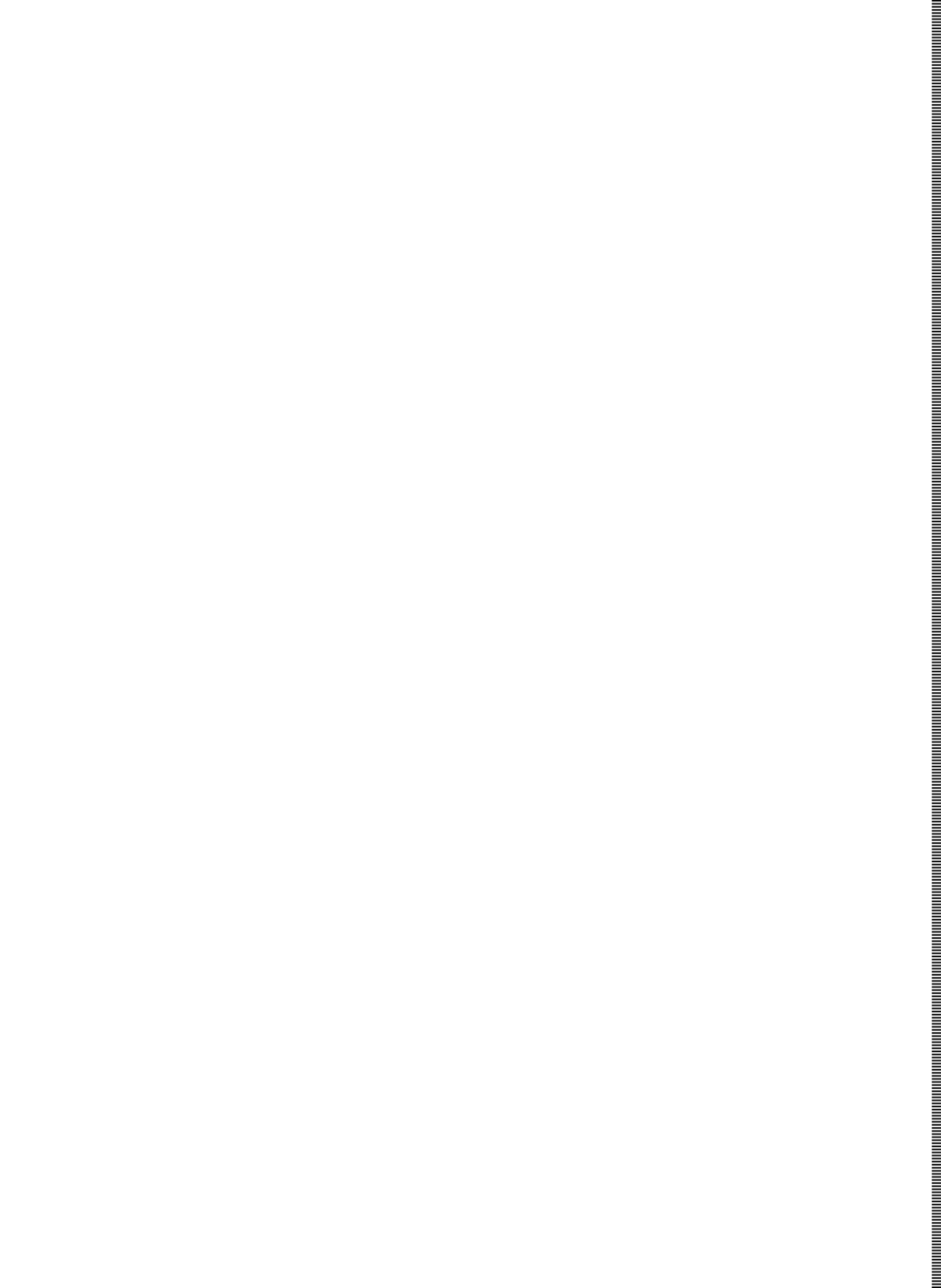


FIGURE 11

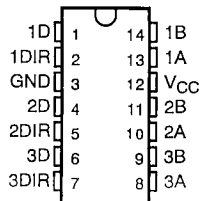


SN75ALS170 TRIPLE DIFFERENTIAL BUS TRANSCEIVER

D3040, AUGUST 1987—REVISED MAY 1990

- Three Bidirectional Transceivers
- Driver Meets EIA Standards RS-422A and RS-485 and CCITT Recommendations V.11 and X.27 and ANSI Standard X3.131-1986
- High-Speed Advanced Low-Power Schottky Circuitry
- Designed for 25-MBaud Operation in Both Serial and Parallel Applications
- Low Skew . . . 6 ns Max
- Designed for Multipoint Transmission on Long Bus Lines in Noisy Environments
- Low Supply Current Requirements
90 mA Max
- Wide Positive and Negative Input/Output Bus Voltage Ranges
- Driver Output Capacity . . . ± 60 mA
- Thermal Shutdown Protection
- Driver Positive and Negative Current Limiting
- Receiver Input Impedances . . . 12 k Ω Min
- Receiver Input Sensitivity . . . ± 300 mV Max
- Receiver Input Hysteresis . . . 60 mV Typ
- Operates from a Single 5-V Supply
- Glitch-Free Power-Up and Power-Down Protection
- Features Independent Direction Controls for Each Channel

J PACKAGE
(TOP VIEW)



Function Table
(each driver)

INPUT D	DIR	OUTPUTS	
		A	B
H	H	H	L
L	H	L	H
X	L	Z	Z

Function Table
(each receiver)

DIFFERENTIAL INPUTS A - B	DIR	OUTPUT R
$V_{ID} \geq 0.3$ V	L	H
-0.3 V $< V_{ID} < 0.3$ V	L	?
$V_{ID} \leq -0.3$ V	L	L
X	H	Z

H = high level, L = low level, ? = indeterminate;
X = irrelevant, Z = high impedance (off)

description

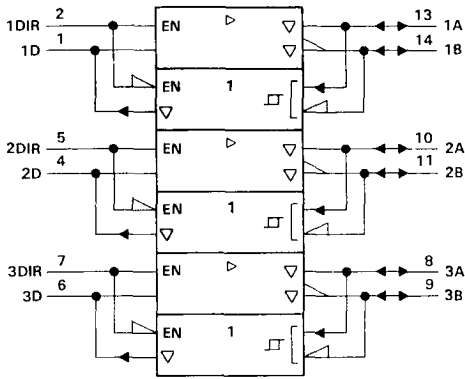
The SN75ALS170 triple differential bus transceiver is a monolithic integrated circuit designed for bidirectional data communication on multipoint bus transmission lines. It is designed for balanced transmission lines and the driver meets EIA Standards RS-422-A and RS-485 and CCITT recommendations V.11 and X.27 and ANSI Standard X3.131-1986.

The SN75ALS170 operates from a single 5-V power supply. The drivers and receivers have active-high and active-low enables, respectively, which are internally connected together to function as a direction control. The driver differential outputs and the receiver differential inputs are connected internally to form differential input/output (I/O) bus ports that are designed to offer minimum loading to the bus when the driver is disabled or $V_{CC} = 0$. These ports feature wide positive and negative common-mode voltage ranges making the device suitable for party-line applications.

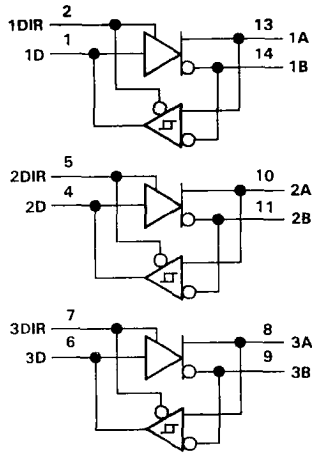
The SN75ALS170 is characterized for operation from 0°C to 70°C.

SN75ALS170 TRIPLE DIFFERENTIAL BUS TRANSCEIVER

logic symbol†



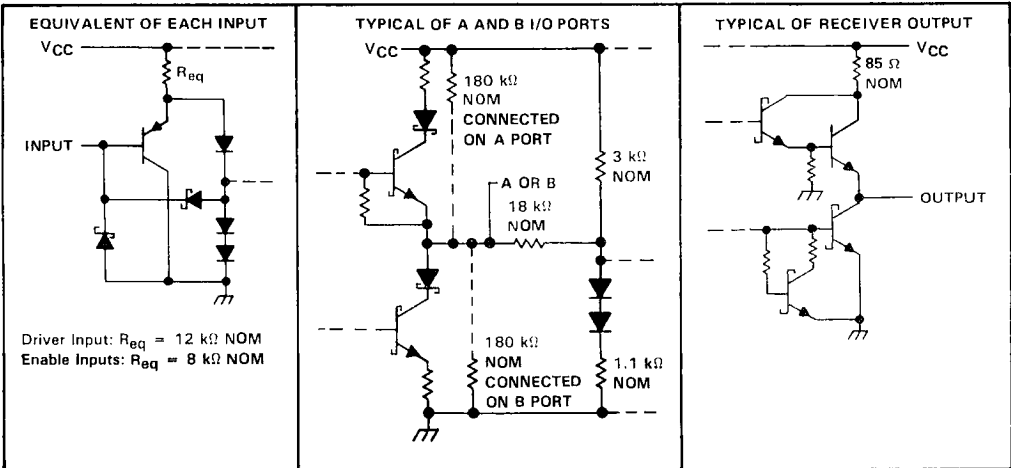
logic diagram (positive logic)



† This symbol is in accordance with ANSI/IEEE Std 91-1984 and IEC Publication 617-12.

SN75ALS170 TRIPLE DIFFERENTIAL BUS TRANSCEIVER

schematics of inputs and outputs



absolute maximum ratings over operating free-air temperature range (unless otherwise noted)

Supply voltage, V_{CC} (see Note 1)	7 V
Voltage at any bus terminal	-10 V to 15 V
Enable input voltage	5.5 V
Continuous total power dissipation	See Dissipation Rating Table
Operating free-air temperature range	0°C to 70°C
Storage temperature range	-65°C to 150°C
Lead temperature 1,6 mm (1/16 inch) from case for 60 seconds	300°C

NOTE 1: All voltage values, except differential I/O bus voltage, are with respect to network ground terminal.

DISSIPATION RATING TABLE

PACKAGE	$T_A \leq 25^\circ\text{C}$	DERATING FACTOR	$T_A = 70^\circ\text{C}$
	POWER RATING	ABOVE $T_A = 25^\circ\text{C}$	POWER RATING
J	1025 mW	8.2 mW/°C	656 mW

recommended operating conditions

		MIN	TYP	MAX	UNIT
Supply voltage, V_{CC}		4.75	5	5.25	V
Voltage at any bus terminal (separately or common mode), V_I or V_{IC}			12	-7	V
High-level input voltage, V_{IH}	D, DIR	2			V
Low-level input voltage, V_{IL}	D, DIR			0.8	V
Differential input voltage, V_{ID} (see Note 2)			± 12		V
High-level output current, I_{OH}	Driver			-60	mA
	Receiver			-400	μA
Low-level output current, I_{OL}	Driver			60	mA
	Receiver			8	mA
Operating free-air temperature, T_A		0		70	°C

NOTE 2: Differential-input/output bus voltage is measured at the noninverting terminal A with respect to the inverting terminal B.



SN75ALS170 TRIPLE DIFFERENTIAL BUS TRANSCEIVER

DRIVER SECTION

driver electrical characteristics over recommended ranges of supply voltage and operating free-air temperature (unless otherwise noted)

PARAMETER		TEST CONDITIONS†		MIN	TYP‡	MAX	UNIT	
V_{IK}	Input clamp voltage	$I_I = -18 \text{ mA}$				-1.5	V	
V_O	Output voltage	$I_O = 0$		0		6	V	
V_{OH}	High-level output voltage	$V_{CC} = 4.75 \text{ V}$, $V_{IH} = 2 \text{ V}$, $V_{IL} = 0.8 \text{ V}$	$I_{OH} = -55 \text{ mA}$	2.7			V	
V_{OL}	Low-level output voltage	$V_{CC} = 4.75 \text{ V}$, $V_{IL} = 0.8 \text{ V}$	$V_{IH} = 2 \text{ V}$, $I_{OL} = 55 \text{ mA}$			1.7	V	
$ V_{OD1} $	Differential output voltage	$I_O = 0$		1.5		6	V	
$ V_{OD2} $	Differential output voltage	$R_L = 100 \Omega$,	See Figure 1	$1/2 V_{OD1}$				
		$R_L = 54 \Omega$,	See Figure 1	1.5	2.5	5	V	
V_{OD3}	Differential output voltage	$V_{test} = -7 \text{ V to } 12 \text{ V}$, See Figure 2		1.5		5	V	
$\Delta V_{OD} $	Change in magnitude of differential output voltage§	$R_L = 54 \Omega$ or 100Ω , See Figure 1				± 0.2	V	
V_{OC}	Common-mode output voltage					+3	-1	V
$\Delta V_{OC} $	Change in magnitude of common-mode output voltage§							± 0.2
I_O	Output current	Output disabled, See Note 3	$V_O = 12 \text{ V}$ $V_O = -7 \text{ V}$			1 -0.8	mA	
I_{IH}	High-level input current	$V_I = 2.4 \text{ V}$				20	μA	
I_{IL}	Low-level input current	$V_I = 0.4 \text{ V}$				-400	μA	
I_{OS}	Short-circuit output current¶	$V_O = -7 \text{ V}$				-250	mA	
		$V_O = 0$				-150		
		$V_O = V_{CC}$				150		
		$V_O = 12 \text{ V}$				250		
I_{CC}	Supply current	No load	Outputs enabled		69	90	mA	
			Outputs disabled		57	78		

† The power-off measurement in EIA Standard RS-422-A applies to disabled outputs only and is not applied to combined inputs and outputs.

‡ All typical values are at $V_{CC} = 5 \text{ V}$ and $T_A = 25^\circ\text{C}$.

§ $\Delta |V_{OD}|$ and $\Delta |V_{OC}|$ are the changes in magnitude of V_{OD} and V_{OC} respectively, that occur when the input is changed from a high level to a low level.

¶ Duration of the short-circuit current should not exceed one second.

NOTE 3: This applies for both power on and off; refer to EIA Standard RS-485 for exact conditions. The RS-422-A limit does not apply for a combined driver and receiver terminal.

SN75ALS170 TRIPLE DIFFERENTIAL BUS TRANSCEIVER

driver switching characteristics over recommended ranges of supply voltage and operating free-air temperature (unless otherwise noted)

PARAMETER		TEST CONDITIONS		MIN	TYP†	MAX	UNIT
t _{DD}	Differential-output delay time	R _L = 54 Ω, See Figure 3	C _L = 50 pF,	3	8	13	ns
		R _{L1} = R _{L3} = 165 Ω, C _L = 60 pF,	R _{L2} = 75 Ω, See Figure 6	3	8	13	
	Skew (t _{DDH} - t _{DDL})	R _L = 54 Ω, See Figure 3	C _L = 50 pF,		1	6	ns
		R _{L1} = R _{L3} = 165 Ω, C _L = 60 pF,	R _{L2} = 75 Ω, See Figure 6		1	6	
t _{TD}	Differential-output transition time	R _L = 54 Ω, See Figure 3	C _L = 50 pF,	3	8	13	ns
		R _{L1} = R _{L3} = 165 Ω, C _L = 60 pF,	R _{L2} = 75 Ω, See Figure 6	3	8	13	
t _{PZH}	Output enable time to high level	R _L = 110 Ω,	See Figure 4		30	50	ns
t _{PZL}	Output enable time to low level	R _L = 110 Ω,	See Figure 5		30	50	ns
t _{PHZ}	Output disable time from high level	R _L = 110 Ω,	See Figure 4	3	8	13	ns
t _{PLZ}	Output disable time from low level	R _L = 110 Ω,	See Figure 5	3	8	13	ns
t _{PDE}	Differential	R _{L1} = R _{L3} = 165 Ω,	R _{L2} = 75 Ω,	8	30	45	ns
t _{PDZ}	Differential output disable time	C _L = 60 pF,	See Figure 7	5	10	15	ns

† All typical values are at V_{CC} = 5 V and T_A = 25°C.

SYMBOL EQUIVALENTS

DATA SHEET PARAMETER	RS-422-A	RS-485
V _O	V _{0a} , V _{0b}	V _{0a} , V _{0b}
V _{OD1}	V _O	V _O
V _{OD2}	V _I (R _L = 100 Ω)	V _I (R _L = 54 Ω)
V _{OD3}		V _I (Test Termination Measurement 2)
V _{Itest}		V _{Ist}
Δ V _{OD}	V _I - V _I	V _I - V _I
V _{OC}	V _{os}	V _{os}
Δ V _{OC}	V _{os} - V _{os}	V _{os} - V _{os}
I _{OS}	I _{sa} , I _{sb}	
I _O	I _{xa} , I _{xb}	I _{ia} , I _{ib}

SN75ALS170

TRIPLE DIFFERENTIAL BUS TRANSCEIVER

RECEIVER SECTION

receiver electrical characteristics over recommended ranges of common-mode input voltage, supply voltage, and operating free-air temperature (unless otherwise noted)

PARAMETER		TEST CONDITIONS		MIN	TYP†	MAX	UNIT
V _{TH}	Differential-input high-threshold voltage	V _O = 2.7 V,	I _O = -0.4 mA			0.3	V
V _{TL}	Differential-input low-threshold voltage	V _O = 0.5 V,	I _O = 8 mA	-0.3‡			V
V _{hys}	Hysteresis§				60		mV
V _{IK}	Enable-input clamp voltage	I _I = -18 mA				-1.5	V
V _{OH}	High-level output voltage	V _{ID} = 300 mV, See Figure 8	I _{OH} = -400 μA,	2.7			V
V _{OL}	Low-level output voltage	V _{ID} = -300 mV, See Figure 8	I _{DL} = 8 mA,			0.45	V
I _{OZ}	High-impedance-state output current	V _O = 2.4 V				20	μA
		V _O = 0.4 V				-400	
I _I	Line input current	Other input = 0 V, See Note 4	V _I = 12 V V _I = -7 V			1 -0.8	mA
I _{IH}	High-level enable-input current	V _{IH} = 2.7 V				20	μA
I _{IL}	Low-level enable-input current	V _{IL} = 0.4 V				-100	μA
r _i	Input resistance			12			kΩ
I _{OS}	Short-circuit output current	V _{ID} = 300 mV,	V _O = 0	-15		-85	mA
I _{CC}	Supply current	No load	Outputs enabled		69	90	mA
			Outputs disabled		57	78	

‡ The algebraic convention, in which the less-positive (more-negative) limit is designated minimum, is used in this data sheet for common-mode input voltage and threshold voltage levels only.

§ Hysteresis is the difference between the positive-going input threshold voltage, V_{T+}, and the negative-going input threshold voltage, V_{T-}. See Figure 4.

NOTE 4: This applies for both power on and power off. Refer to EIA Standard RS-485 for exact conditions.

receiver switching characteristics over recommended ranges of supply voltage and operating free-air temperature

PARAMETER		TEST CONDITIONS		MIN	TYP†	MAX	UNIT
t _{PLH}	Propagation delay time, low-to-high-level output	V _{ID} = -1.5 V to 1.5 V, C _L = 15 pF, See Figure 9		9	14	19	ns
t _{PHL}	Propagation delay time, high-to-low-level output			9	14	19	ns
	Skew (t _{PLH} - t _{PHL})			2	6		ns
t _{PZH}	Output enable time to high level	C _L = 15 pF,	See Figure 10		7	14	ns
t _{PZL}	Output enable time to low level				7	14	ns
t _{PHZ}	Output disable time from high level	C _L = 15 pF,	See Figure 10		20	35	ns
t _{PLZ}	Output disable time from low level				8	17	ns

† All typical values are at V_{CC} = 5 V, T_A = 25°C.

PARAMETER MEASUREMENT INFORMATION

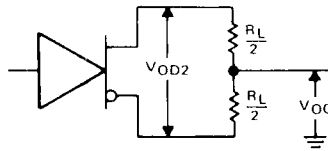


FIGURE 1. DRIVER V_{OD} AND V_{OC}

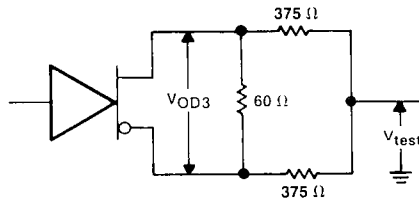


FIGURE 2. DRIVER V_{OD3}

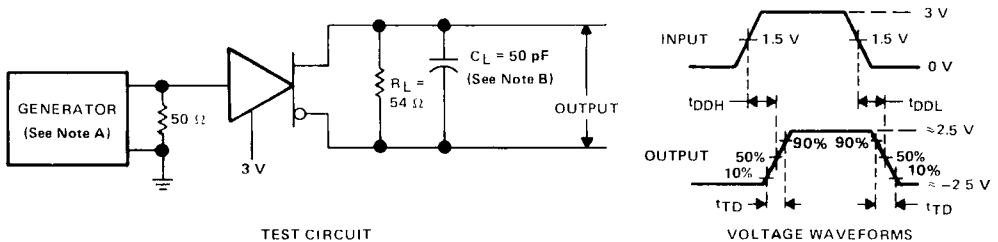


FIGURE 3. DRIVER DIFFERENTIAL-OUTPUT DELAY AND TRANSITION TIMES

- NOTES: A. The input pulse is supplied by a generator having the following characteristics: PRR \leq 1 MHz, 50% duty cycle, $t_r \leq$ 6 ns, $t_f \leq$ 6 ns, $Z_0 = 50 \Omega$.
 B. C_L includes probe and jig capacitance.

SN75ALS170 TRIPLE DIFFERENTIAL BUS TRANSCEIVER

PARAMETER MEASUREMENT INFORMATION

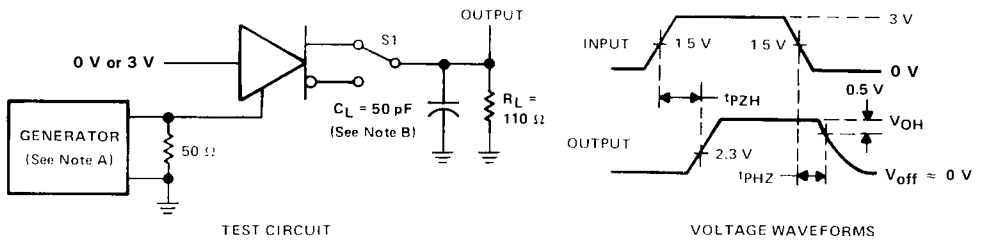


FIGURE 4. DRIVER ENABLE AND DISABLE TIMES

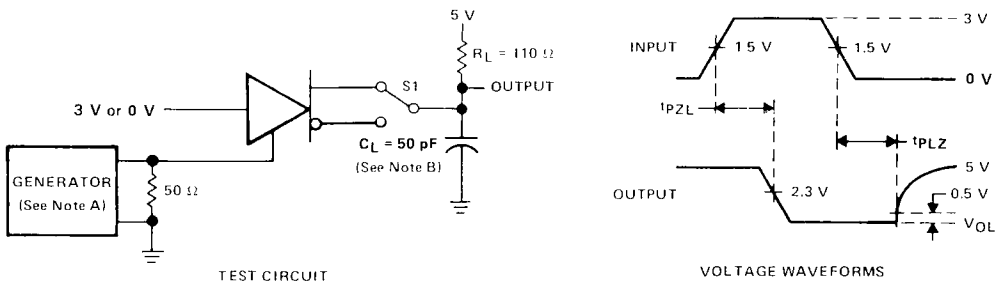


FIGURE 5. DRIVER ENABLE AND DISABLE TIMES

NOTES: A. The input pulse is supplied by a generator having the following characteristics: $PRR \leq 1$ MHz, 50% duty cycle, $t_r \leq 6$ ns, $t_f \leq 6$ ns, $Z_0 = 50 \Omega$.

B. C_L Includes probe and jig capacitance.

PARAMETER MEASUREMENT INFORMATION

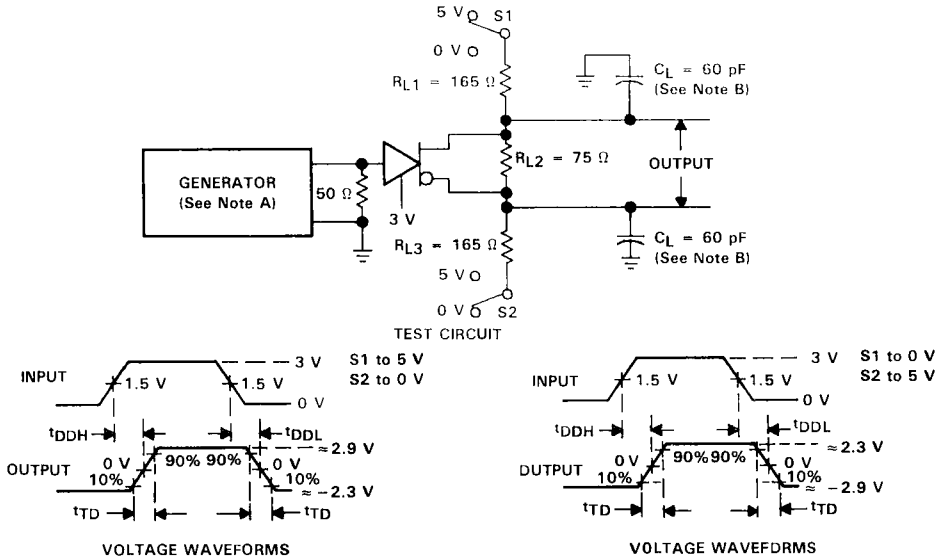


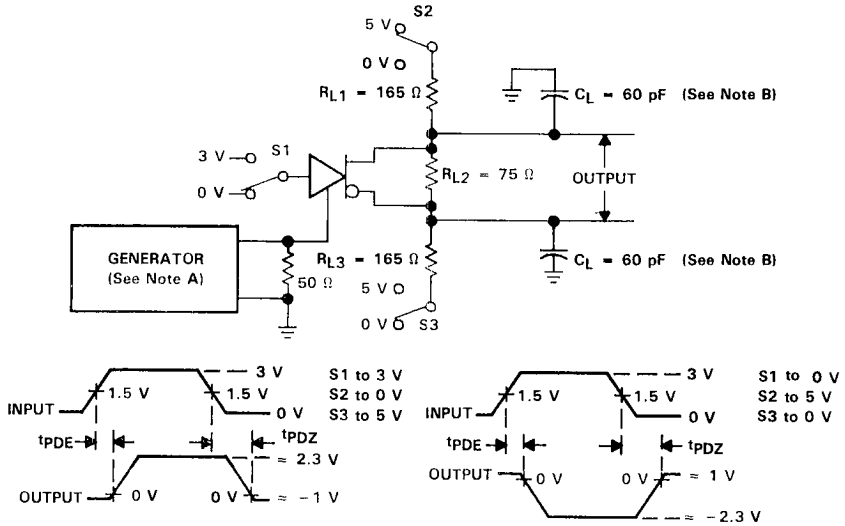
FIGURE 6. DRIVER DELAY AND TRANSITION TIMES WITH DOUBLE-DIFFERENTIAL-SCSI TERMINATION FOR THE LOAD

NOTES: A. The input pulse is supplied by a generator having the following characteristics: PRR \leq 1 MHz, 50% duty cycle, $t_r \leq$ 6 ns, $t_f \leq$ 6 ns, $Z_o = 50 \Omega$.

B. C_L includes probe and jig capacitance.

**SN75ALS170
TRIPLE DIFFERENTIAL BUS TRANSCEIVER**

PARAMETER MEASUREMENT INFORMATION



NOTES: A. The input pulse is supplied by a generator having the following characteristics: $PRR \leq 1$ MHz, 50% duty cycle, $t_r \leq 6$ ns, $t_f \leq 6$ ns, $Z_0 = 50 \Omega$.
 B. C_L includes probe and jig capacitance.

FIGURE 7. DRIVER DIFFERENTIAL-ENABLE AND DISABLE TIMES WITH A DOUBLE-SCSI TERMINATION

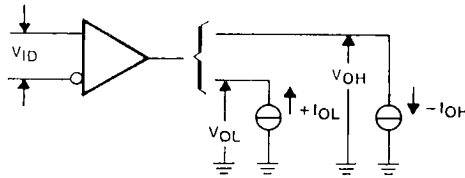
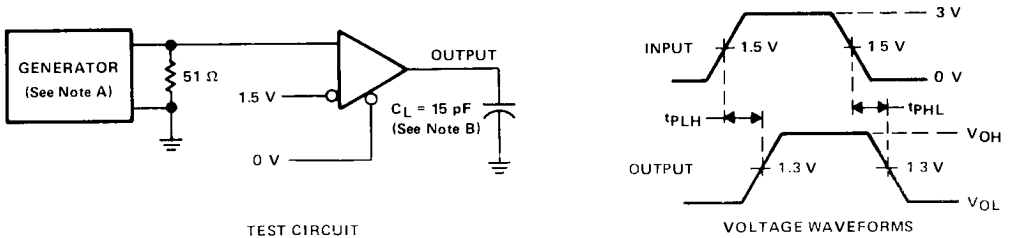
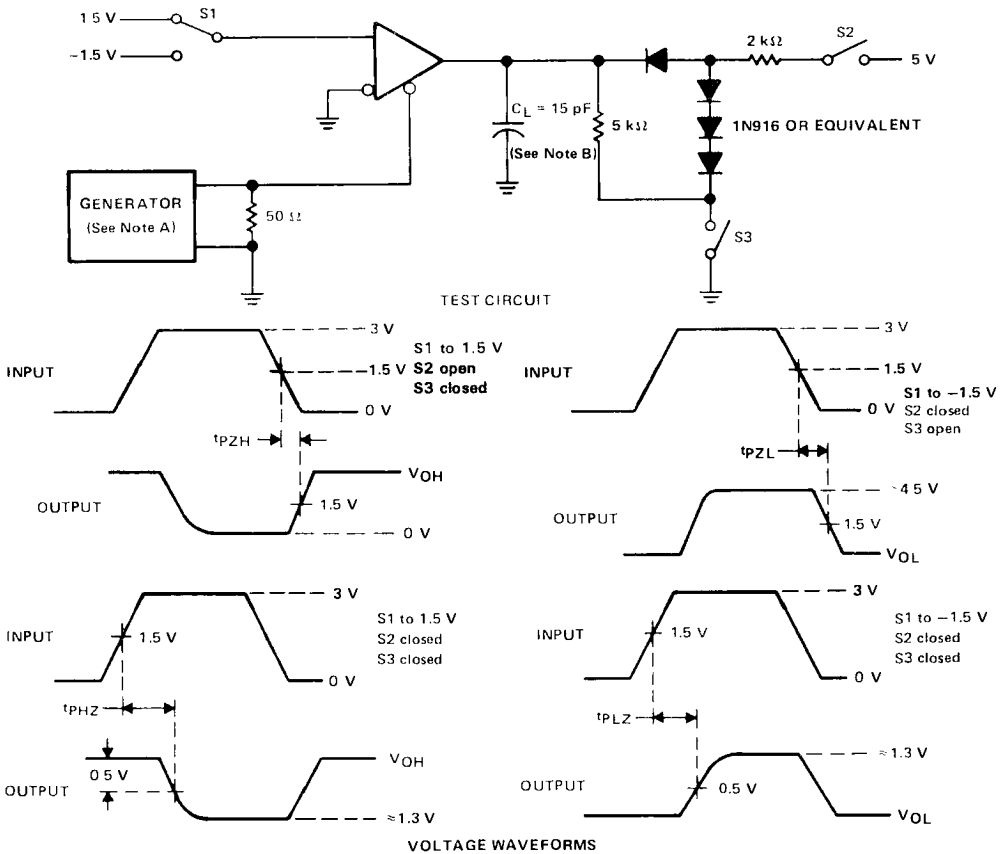


FIGURE 8. RECEIVER V_{OH} AND V_{OL}

PARAMETER MEASUREMENT INFORMATION



TEST CIRCUIT
FIGURE 9. RECEIVER PROPAGATION DELAY TIMES



VOLTAGE WAVEFORMS
FIGURE 10. RECEIVER OUTPUT ENABLE AND DISABLE TIMES

NOTES: A. The input pulse is supplied by a generator having the following characteristics: PRR \leq 1 MHz, 50% duty cycle, $t_r \leq$ 6 ns, $t_f \leq$ 6 ns, $Z_0 = 50 \Omega$.
B. C_L includes probe and jig capacitance.

SN75ALS170
TRIPLE DIFFERENTIAL BUS TRANSCEIVER

TYPICAL CHARACTERISTICS

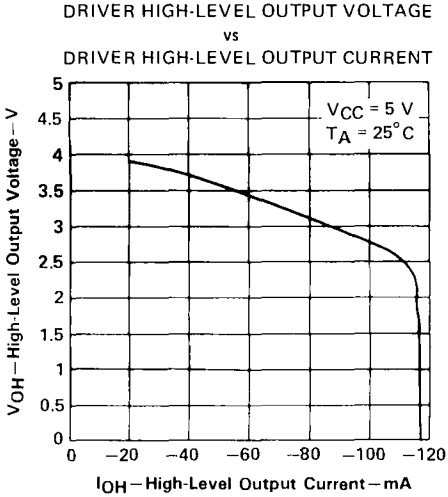


FIGURE 11

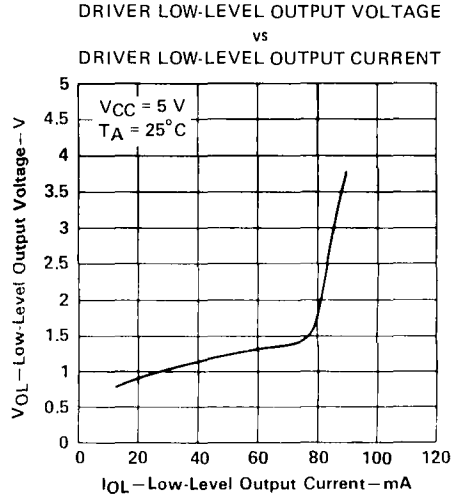


FIGURE 12

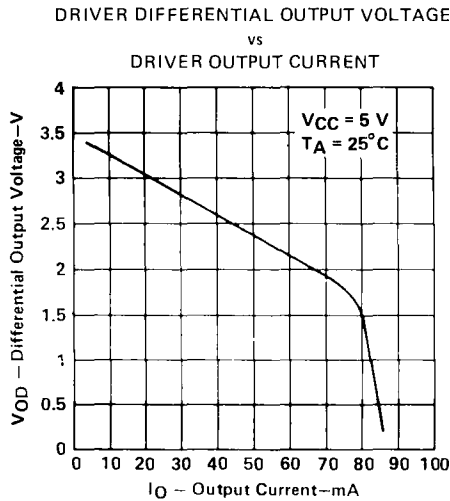


FIGURE 13

TYPICAL CHARACTERISTICS

RECEIVER HIGH-LEVEL OUTPUT VOLTAGE
vs
HIGH-LEVEL OUTPUT CURRENT

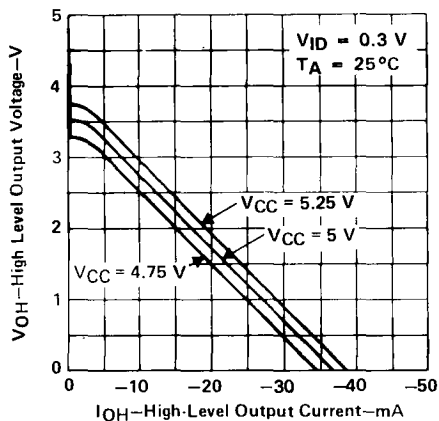


FIGURE 14

RECEIVER HIGH-LEVEL OUTPUT VOLTAGE
vs
FREE-AIR TEMPERATURE

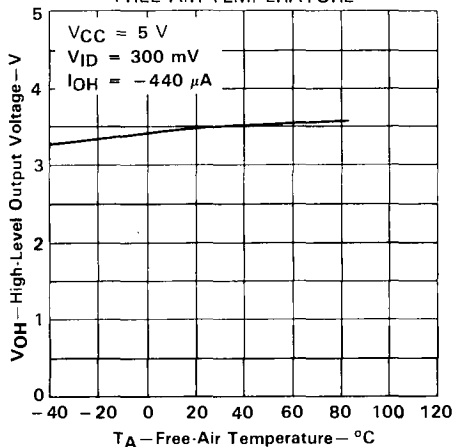


FIGURE 15

RECEIVER LOW-LEVEL OUTPUT VOLTAGE
vs
RECEIVER LOW-LEVEL OUTPUT CURRENT

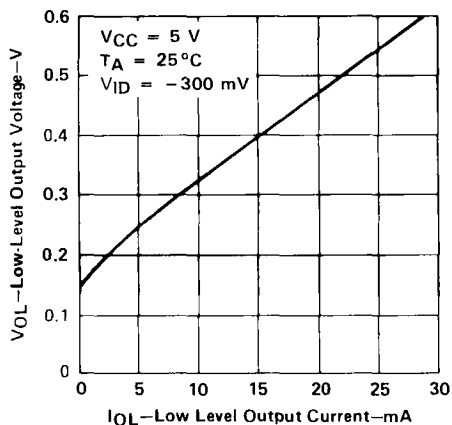


FIGURE 16

RECEIVER LOW-LEVEL OUTPUT VOLTAGE
vs
FREE-AIR TEMPERATURE

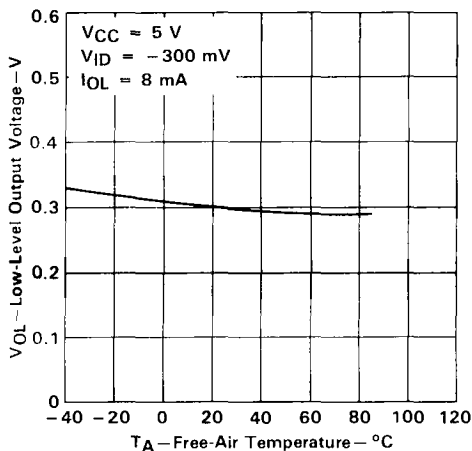


FIGURE 17

SN75ALS170
TRIPLE DIFFERENTIAL BUS TRANSCEIVER

TYPICAL CHARACTERISTICS
RECEIVER OUTPUT VOLTAGE
 vs
ENABLE VOLTAGE

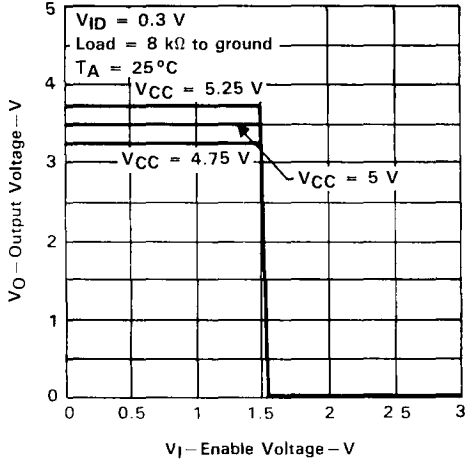


FIGURE 18

RECEIVER OUTPUT VOLTAGE
 vs
ENABLE VOLTAGE

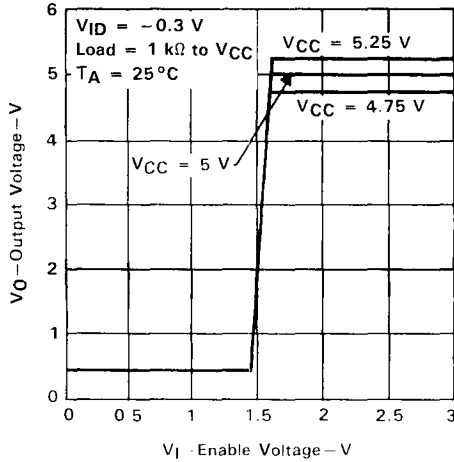


FIGURE 19

APPLICATION INFORMATION

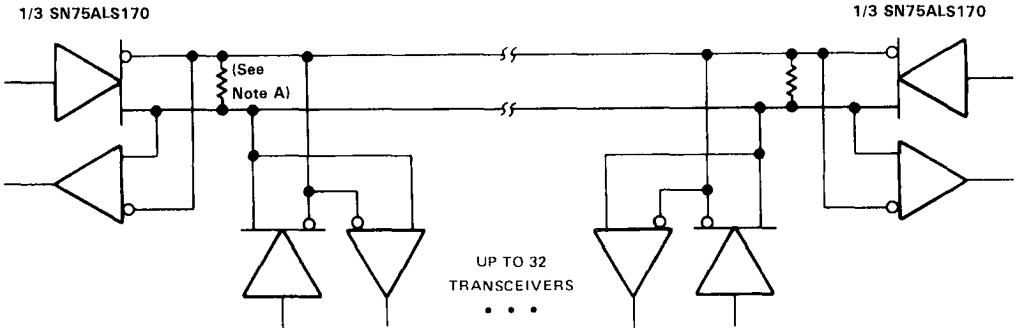


FIGURE 20. TYPICAL APPLICATION CIRCUIT

NOTE A: The line should be terminated at both ends in its characteristic impedance. Stub lengths off the main line should be kept as short as possible.

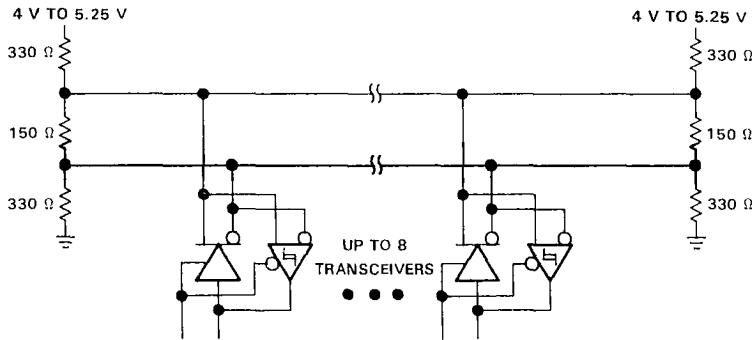


FIGURE 21. TYPICAL DIFFERENTIAL SCSI APPLICATION CIRCUIT

SN75ALS170 TRIPLE DIFFERENTIAL BUS TRANSCEIVER

APPLICATION INFORMATION

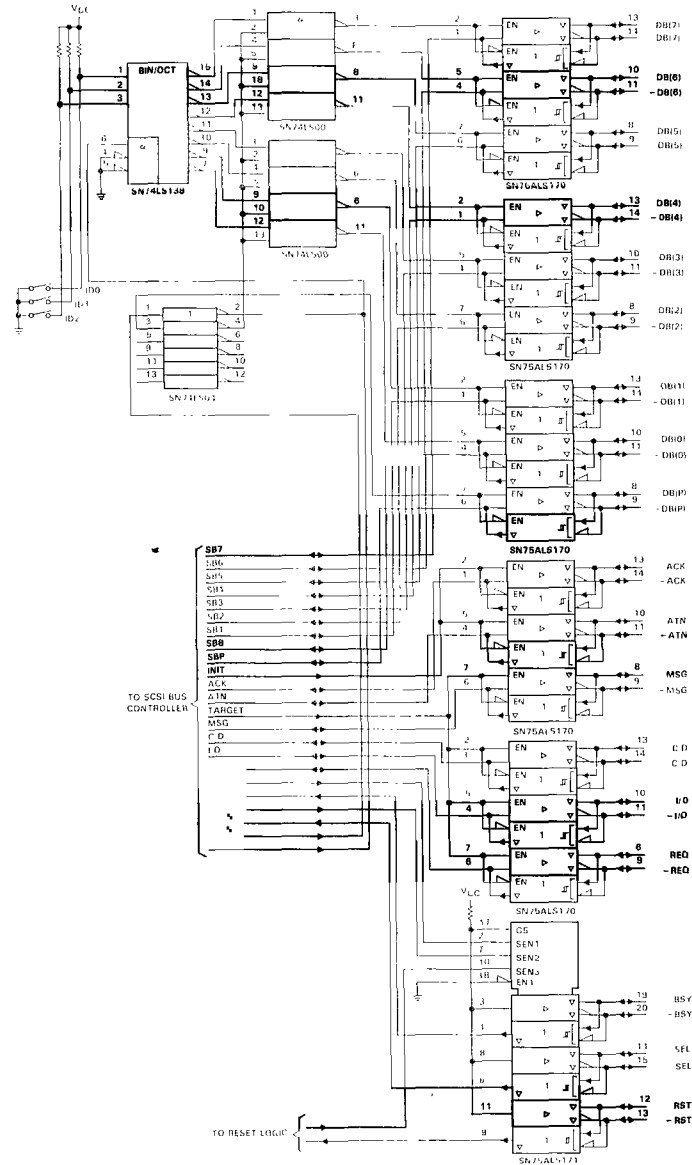


FIGURE 22. TYPICAL DIFFERENTIAL SCSI BUS INTERFACE IMPLEMENTATION

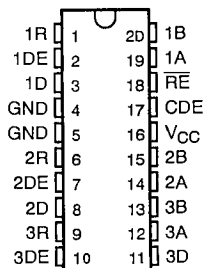
SN75ALS171 TRIPLE DIFFERENTIAL BUS TRANSCEIVER

D3041, AUGUST 1987

MAY 1990

- Three Bidirectional Transceivers
- Driver Meets EIA Standards RS-422A and RS-485 and CCITT Recommendations V.11 and X.27 and ANSI Standard X3.131-1986
- High-Speed Advanced Low-Power Schottky Circuitry
- Designed for 25-MBaud Operation in Both Serial and Parallel Applications
- Low Skew . . . 6 ns Max
- Designed for Multipoint Transmission on Long Bus Lines in Noisy Environments
- Features Independent Driver Enables and Combined Receiver Enables
- Wide Positive and Negative Input/Output Bus Voltages Ranges
- Driver Output Capacity . . . ± 60 mA
- Thermal Shutdown Protection
- Driver Positive and Negative Current Limiting
- Receiver Input Impedances . . . 12 k Ω Min
- Receiver Input Sensitivity . . . ± 300 mV Max
- Receiver Input Hysteresis . . . 60 mV Typ
- Operates from a Single 5-V Supply
- Glitch-Free Power-Up and Power-Down Protection
- Low Supply Current Requirements
90 mA Max

J PACKAGE
(TOP VIEW)



FUNCTION TABLE (EACH DRIVER)

INPUT D	ENABLE		OUTPUTS	
	DE	CDE	A	B
H	H	H	H	L
L	H	H	L	H
X	L	X	Z	Z
X	X	L	Z	Z

FUNCTION TABLE (EACH RECEIVER)

DIFFERENTIAL INPUTS A - B	ENABLE RE	OUTPUT R
$V_{ID} \geq 0.3$ V	L	H
-0.3 V < V_{ID} < 0.3 V	L	?
$V_{ID} \leq -0.3$ V	L	L
X	H	Z

H = high level, L = low level, ? = indeterminate,
X = irrelevant, Z = high impedance (off)

description

The SN75ALS171 triple differential bus transceiver is a monolithic integrated circuit designed for bidirectional data communication on multipoint bus transmission lines. It is designed for balanced transmission lines and the driver meets EIA Standards RS-422-A and RS-485 and CCITT recommendations V.11 and X.27 and ANSI Standard X3.131-1986.

The SN75ALS171 operates from a single 5-V power supply. The drivers and receivers have individual active-high and active-low enables, respectively, which can be externally connected together to function as a direction control. The driver differential output and the receiver differential input pairs are connected internally to form differential input/output (I/O) bus ports that are designed to offer minimum loading to the bus when the driver is disabled or V_{CC} is at 0 V. These ports feature wide positive and negative common-mode voltage ranges making the device suitable for party-line applications.

The SN75ALS171 is characterized for operation from 0°C to 70°C.

PRODUCTION DATA documents contain information current as of publication date. Products conform to specifications per the terms of Texas Instruments standard warranty. Production processing does not necessarily include testing of all parameters.


**TEXAS
INSTRUMENTS**

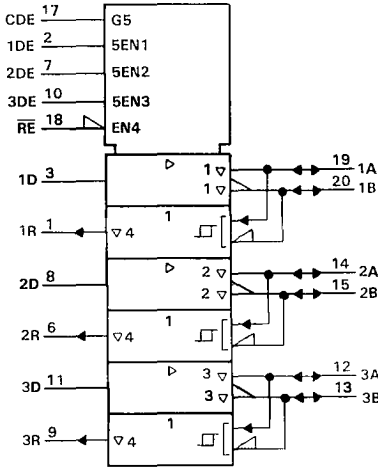
POST OFFICE BOX 655303 • DALLAS, TEXAS 75265

Copyright © 1990, Texas Instruments Incorporated

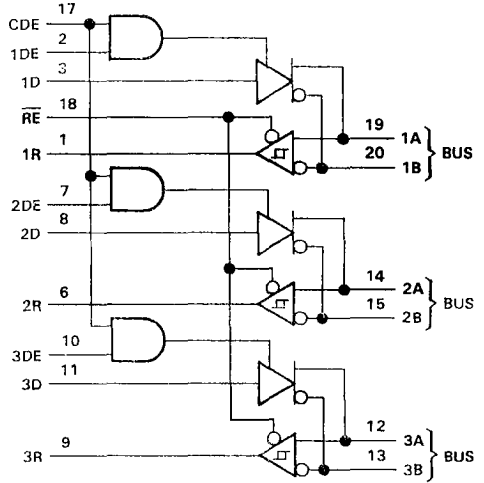
2-761

SN75ALS171 TRIPLE DIFFERENTIAL BUS TRANSCEIVER

logic symbol†

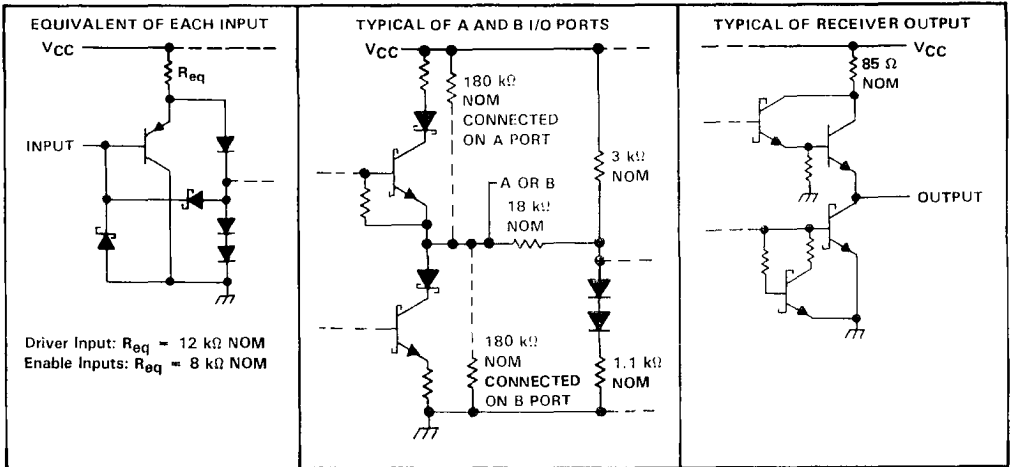


logic diagram (positive logic)



†This symbol is in accordance with ANSI/IEEE Std 91-1984 and IEC Publication 617-12.

schematics of inputs and outputs



SN75ALS171 TRIPLE DIFFERENTIAL BUS TRANSCEIVER

absolute maximum ratings over operating free-air temperature range (unless otherwise noted)

Supply voltage, V_{CC} (see Note 1)	7 V
Voltage at any bus terminal	-10 V to 15 V
Enable input voltage	5.5 V
Continuous total power dissipation	See Dissipation Rating Table
Operating free-air temperature range	0°C to 70°C
Storage temperature range	-65°C to 150°C
Lead temperature 1,6 mm (1/16 inch) from case for 60 seconds	300°C

NOTE 1: All voltage values, except differential I/O bus voltage, are with respect to network ground terminal.

DISSIPATION RATING TABLE

PACKAGE	$T_A \leq 25^\circ\text{C}$ POWER RATING	DERATING FACTOR ABOVE $T_A = 25^\circ\text{C}$	$T_A = 70^\circ\text{C}$ POWER RATING
J	1025 mW	8.2 mW/°C	656 mW

recommended operating conditions

	MIN	TYP	MAX	UNIT
Supply voltage, V_{CC}	4.75	5	5.25	V
Voltage at any bus terminal (separately or common mode), V_I or V_{IC}	- 7		12	V
High-level input voltage, V_{IH}	D, CDE, DE, and \overline{RE}			2
Low-level input voltage, V_{IL}	D, CDE, DE, and \overline{RE}			0.8
Differential input voltage, V_{ID} (see Note 2)				± 12
High-level output current, I_{OH}	Driver			- 60
	Receiver			- 400
Low-level output current, I_{OL}	Driver			60
	Receiver			8
Operating free-air temperature, T_A	0		70	°C

NOTE 2: Differential-input/output bus voltage is measured at the noninverting terminal A with respect to the inverting terminal B.

SN75ALS171

TRIPLE DIFFERENTIAL BUS TRANSCEIVER

DRIVER SECTION

driver electrical characteristics over recommended ranges of supply voltage and operating free-air temperature (unless otherwise noted)

PARAMETER		TEST CONDITIONS†		MIN	TYP‡	MAX	UNIT
V _{IK}	Input clamp voltage	I _I = -18 mA				-1.5	V
V _O	Output voltage	I _O = 0		0		6	V
V _{OH}	High-level output voltage	V _{CC} = 4.75 V, V _{IH} = 2 V, V _{IL} = 0.8 V	I _{OH} = -55 mA	2.7			V
V _{OL}	Low-level output voltage	V _{CC} = 4.75 V, V _{IL} = 0.8 V,	V _{IH} = 2 V, I _{OL} = 55 mA			1.7	V
V _{OD1}	Differential output voltage	I _O = 0		1.5		6	V
V _{OD2}	Differential output voltage	R _L = 100 Ω,	See Figure 1	1/2 V _{OD1}			
				2			V
V _{OD3}	Differential output voltage	R _L = 54 Ω,	See Figure 1	1.5	2.5	5	V
		V _{test} = -7 V to 12 V, See Figure 2		1.5		5	V
Δ V _{OD}	Change in magnitude of differential output voltage§					±0.2	V
V _{OC}	Common-mode output voltage	R _L = 54 Ω or 100 Ω, See Figure 1				+3	V
Δ V _{OC}	Change in magnitude of common-mode output voltage§					-1	
						±0.2	V
I _O	Output current	Output disabled, See Note 3		V _O = 12 V		1	mA
				V _O = -7 V		-0.8	
I _{IH}	High-level enable-input current	D and DE	V _{IH} = 2.7 V			20	μA
		CDE				60	
I _{IL}	Low-level enable-input current	D and DE	V _{IL} = 0.4 V			-100	μA
		CDE				-900	
I _{OS}	Short-circuit output current¶	V _O = -7 V				-250	mA
		V _O = 0				-150	
		V _O = V _{CC}				250	
		V _O = 12 V				250	
I _{CC}	Supply current	No load	Outputs enabled		69	90	mA
			Outputs disabled		57	78	

† The power-off measurement in EIA Standard RS-422-A applies to disabled outputs only and is not applied to combined inputs and outputs.

‡ All typical values are at V_{CC} = 5 V and T_A = 25°C.

§ Δ|V_{OD}| and Δ|V_{OC}| are the changes in magnitude of V_{OD} and V_{DC} respectively, that occur when the input is changed from a high level to a low level.

¶ Duration of the short-circuit current should not exceed one second.

NOTE 3: This applies for both power on and off; refer to EIA Standard RS-485 for exact conditions. The RS-422-A limit does not apply for a combined driver and receiver terminal.



SN75ALS171 TRIPLE DIFFERENTIAL BUS TRANSCEIVER

driver switching characteristics over recommended ranges of supply voltage and operating free-air temperature (unless otherwise noted)

PARAMETER		TEST CONDITIONS		MIN	TYP†	MAX	UNIT
t _{DD}	Differential-output delay time	R _L = 54 Ω, See Figure 3	C _L = 50 pF,	3	8	13	ns
		R _{L1} = R _{L3} = 165 Ω, C _L = 60 pF, See Figure 6	R _{L2} = 75 Ω, V _{TERM} = 5 V,	3	8	13	
	Skew (t _{DDH} - t _{DDL})	R _L = 54 Ω, See Figure 3	C _L = 50 pF,		1	6	ns
		R _{L1} = R _{L3} = 165 Ω, C _L = 60 pF,	R _{L2} = 75 Ω, See Figure 6		1	6	
t _{TD}	Differential-output transition time	R _L = 54 Ω, See Figure 3	C _L = 50 pF,	3	8	13	ns
		R _{L1} = R _{L3} = 165 Ω, C _L = 60 pF, See Figure 6	R _{L2} = 75 Ω, V _{TERM} = 5 V,	3	8	13	
t _{PZH}	Output enable time to high level	R _L = 110 Ω,	See Figure 4		30	50	ns
t _{PZL}	Output enable time to low level	R _L = 110 Ω,	See Figure 5		30	50	ns
t _{PHZ}	Output disable time from high level	R _L = 110 Ω,	See Figure 4	3	8	13	ns
t _{PLZ}	Output disable time from low level	R _L = 110 Ω,	See Figure 5	3	8	13	ns
t _{PDE}	Differential-output enable time	R _{L1} = R _{L3} = 165 Ω,	R _{L2} = 75 Ω,	8	30	45	ns
t _{PDZ}	Differential-output disable time	C _L = 60 pF,	See Figure 7	5	10	15	ns

† All typical values are at V_{CC} = 5 V and T_A = 25°C.

SYMBOL EQUIVALENTS

DATA SHEET PARAMETER	RS-422-A	RS-485
V _O	V _{oa} , V _{ob}	V _{oa} , V _{ob}
V _{OD1}	V _O	V _O
V _{OD2}	V _t (R _L = 100 Ω)	V _t (R _L = 54 Ω)
V _{OD3}		V _t (Test Termination Measurement 2)
V _{test}		V _{test}
Δ V _{OD}	V _t - V̄ _t	V _t - V̄ _t
V _{OC}	V _{os}	V _{os}
Δ V _{OC}	V _{os} - V̄ _{os}	V _{os} - V̄ _{os}
I _{OS}	I _{sa} , I _{sb}	
I _O	I _{xa} , I _{xb}	I _a , I _b

SN75ALS171

TRIPLE DIFFERENTIAL BUS TRANSCEIVER

RECEIVER SECTION

receiver electrical characteristics over recommended ranges of common-mode input voltage, supply voltage, and operating free-air temperature (unless otherwise noted)

PARAMETER	TEST CONDITIONS	MIN	TYP†	MAX	UNIT
V _{TH}	Differential-input high-threshold voltage V _O = 2.7 V, I _O = -0.4 mA			0.3	V
V _{TL}	Differential-input low-threshold voltage V _O = 0.5 V, I _O = 8 mA	-0.3‡			V
V _{hys}	Hysteresis§		60		mV
V _{IK}	Enable-input clamp voltage I _I = -18 mA			-1.5	V
V _{OH}	High-level output voltage V _{ID} = 300 mV, See Figure 8	I _{OH} = -400 µA,	2.7		V
V _{OL}	Low-level output voltage V _{ID} = -300 mV, See Figure 8	I _{OL} = 8 mA,		0.45	V
I _{OZ}	High-impedance-state output current V _O = 0.4 V to 2.4 V			±20	µA
I _I	Line input current Other input = 0 V, See Note 4	V _I = 12 V V _I = -7 V		1 -0.8	mA
I _{IH}	High-level enable-input current V _{IH} = 2.7 V			60	µA
I _{IL}	Low-level enable-input current V _{IL} = 0.4 V			-300	µA
r _i	Input resistance		12		kΩ
I _{OS}	Short-circuit output current V _{ID} = 300 mV, V _O = 0		-15	-85	mA
I _{CC}	Supply current No load	Outputs enabled Outputs disabled	69 57	90 78	mA

† All typical values are at V_{CC} = 5 V, T_A = 25°C.

‡ The algebraic convention, in which the less-positive (more-negative) limit is designated minimum, is used in this data sheet for common-mode input voltage and threshold voltage levels only.

§ Hysteresis is the difference between the positive-going input threshold voltage, V_{T+}, and the negative-going input threshold voltage, V_{T-}.

NOTE 4: This applies for both power on and power off. Refer to EIA Standard RS-485 for exact conditions.

receiver switching characteristics over recommended ranges of supply voltage and operating free-air temperature

PARAMETER	TEST CONDITIONS	MIN	TYP†	MAX	UNIT
t _{PLH}	Propagation delay time, low-to-high-level output V _{ID} = -1.5 V to 1.5 V, C _L = 15 pF, See Figure 9	9	14	19	ns
t _{PHL}	Propagation delay time, high-to-low-level output Skew (t _{PLH} - t _{PHL})	9	14	19	ns
t _{PZH}	Output enable time to high level C _L = 15 pF, See Figure 10		7	14	ns
t _{PZL}	Output enable time to low level C _L = 15 pF, See Figure 10		7	14	ns
t _{PHZ}	Output disable time from high level C _L = 15 pF, See Figure 10		20	35	ns
t _{PLZ}	Output disable time from low level C _L = 15 pF, See Figure 10		8	17	ns

† All typical values are at V_{CC} = 5 V, T_A = 25°C.

PARAMETER MEASUREMENT INFORMATION

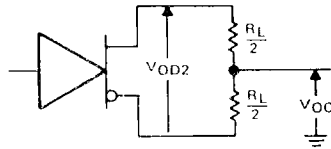


FIGURE 1. DRIVER V_{OD} AND V_{OC}

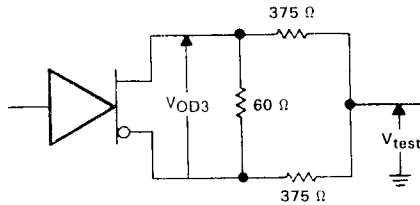


FIGURE 2. DRIVER V_{OD3}

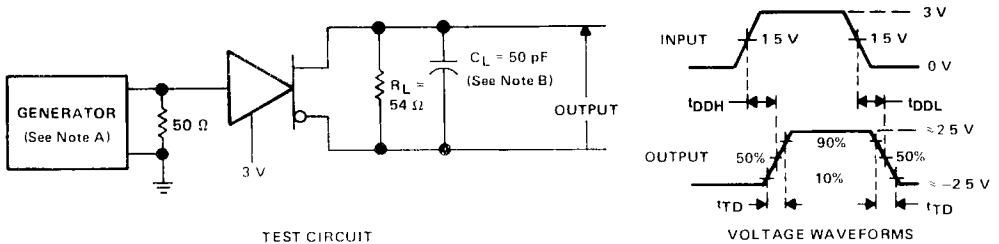


FIGURE 3. DRIVER DIFFERENTIAL-OUTPUT DELAY AND TRANSITION TIMES

NOTES: A. The input pulse is supplied by a generator having the following characteristics: PRR \leq 1 MHz, 50% duty cycle, $t_r \leq$ 6 ns, $t_f \leq$ 6 ns, $Z_0 = 50 \Omega$.

B. C_L includes probe and jig capacitance.

SN75ALS171 TRIPLE DIFFERENTIAL BUS TRANSCEIVER

PARAMETER MEASUREMENT INFORMATION

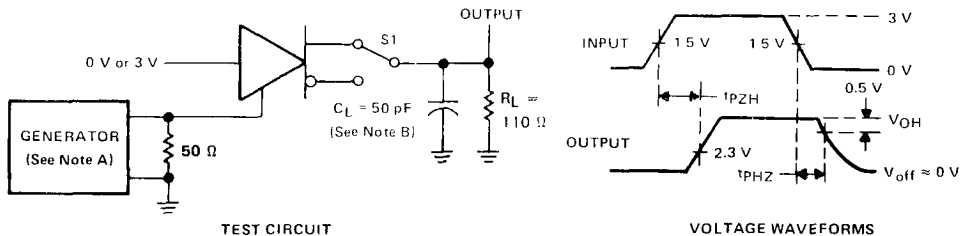


FIGURE 4. DRIVER ENABLE AND DISABLE TIMES

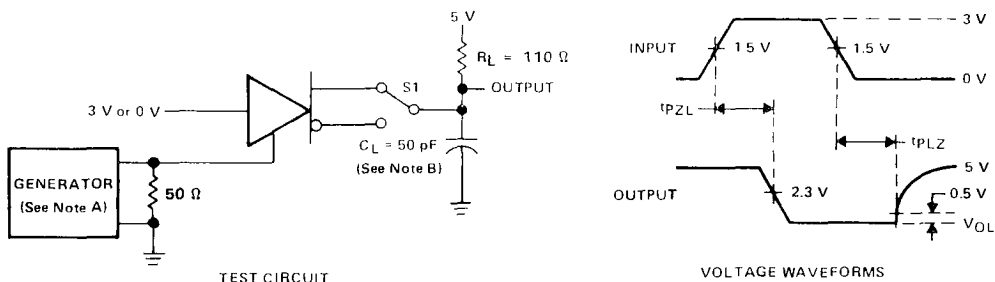


FIGURE 5. DRIVER ENABLE AND DISABLE TIMES

- NOTES: A. The input pulse is supplied by a generator having the following characteristics: PRR \leq 1 MHz, 50% duty cycle, $t_r \leq$ 6 ns, $t_f \leq$ 6 ns, $Z_0 = 50 \Omega$.
 B. C_L includes probe and jig capacitance.

PARAMETER MEASUREMENT INFORMATION

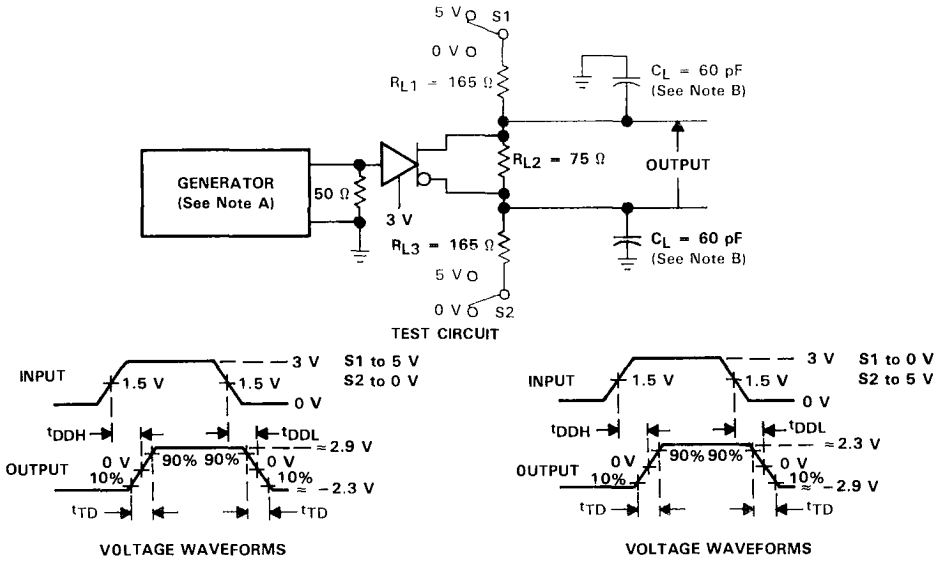


FIGURE 6. DRIVER DELAY AND TRANSITION TIMES WITH DOUBLE-DIFFERENTIAL-SCSI TERMINATION FOR THE LOAD

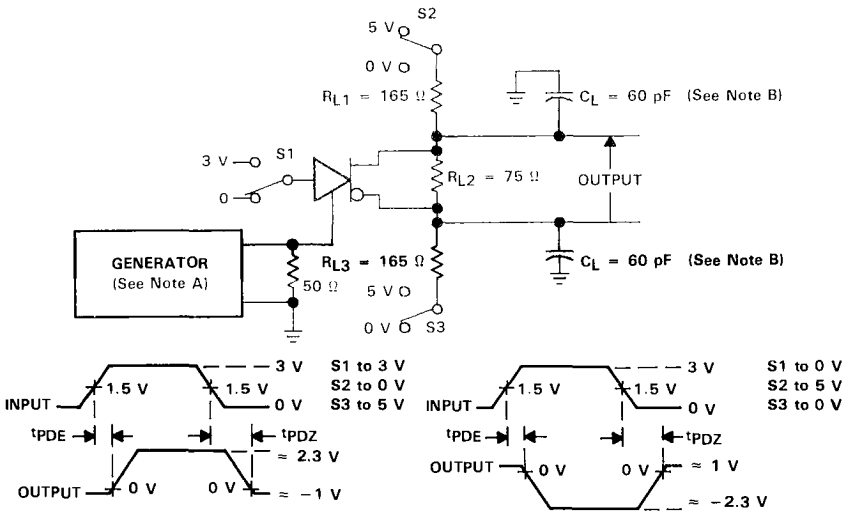


FIGURE 7. DRIVER DIFFERENTIAL-ENABLE AND DISABLE TIMES WITH A DOUBLE-SCSI TERMINATION

NOTES: A. The input pulse is supplied by a generator having the following characteristics: PRR \leq 1 MHz, 50% duty cycle, $t_r \leq$ 6 ns, $t_f \leq$ 6 ns, $Z_0 = 50 \Omega$.

B. C_L includes probe and jig capacitance.

PARAMETER MEASUREMENT INFORMATION

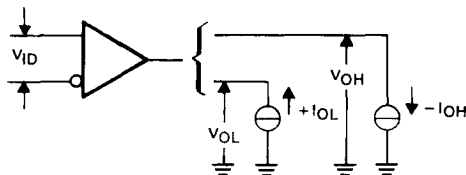
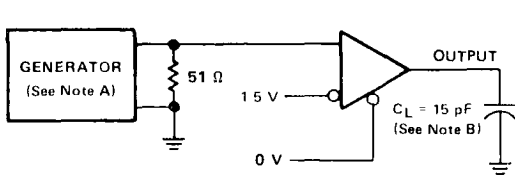
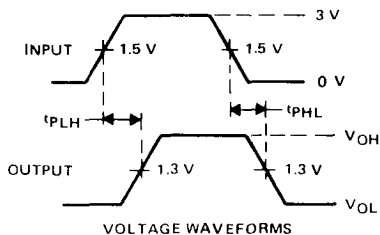


FIGURE 8. RECEIVER V_{OH} AND V_{OL}



TEST CIRCUIT

FIGURE 9. RECEIVER PROPAGATION DELAY TIMES



NOTES: A. The input pulse is supplied by a generator having the following characteristics: $PRR \leq 1$ MHz, 50% duty cycle, $t_r \leq 6$ ns, $t_f \leq 6$ ns, $Z_0 = 50 \Omega$.
B. C_L includes probe and jig capacitance.

PARAMETER MEASUREMENT INFORMATION

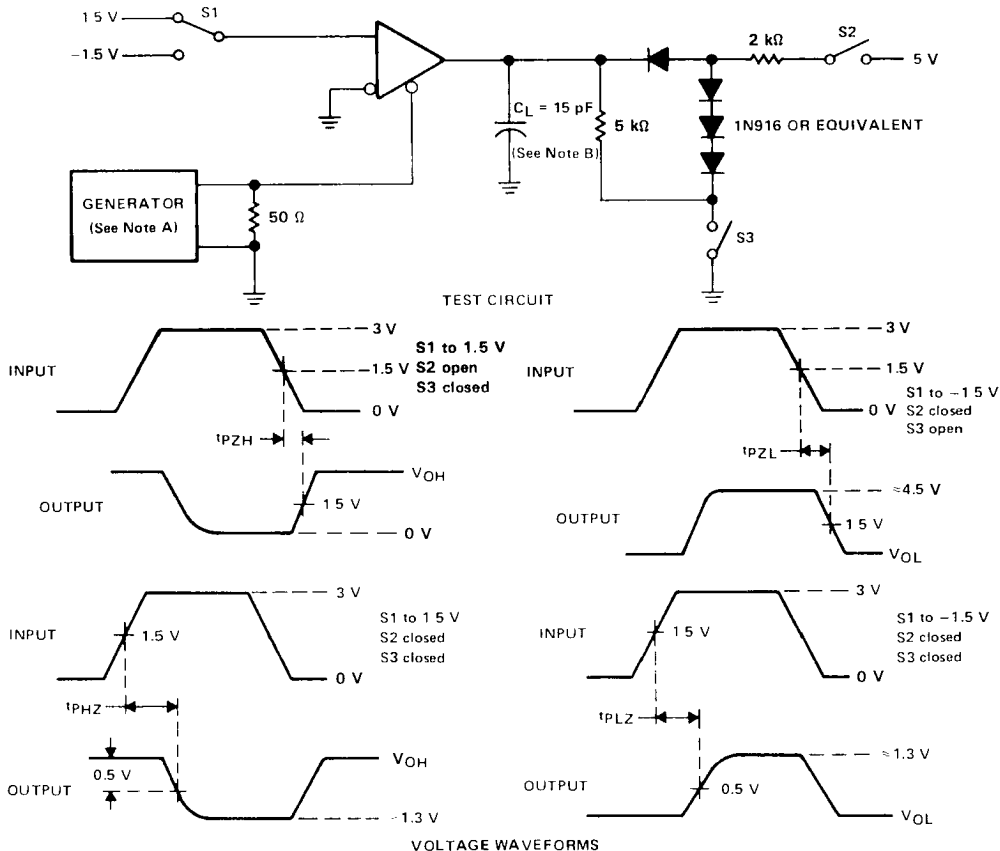


FIGURE 10. RECEIVER OUTPUT ENABLE AND DISABLE TIMES

- NOTES: A. The input pulse is supplied by a generator having the following characteristics: PRR \leq 1 MHz, 50% duty cycle, $t_r \leq$ 6 ns, $t_f \leq$ 6 ns, $Z_0 = 50 \Omega$.
 B. C_L includes probe and jig capacitance.

TYPICAL CHARACTERISTICS

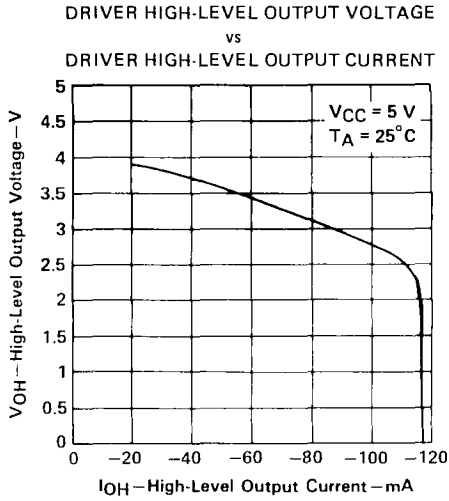


FIGURE 11

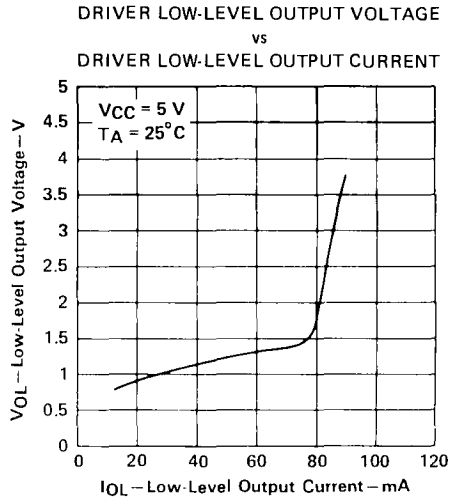


FIGURE 12

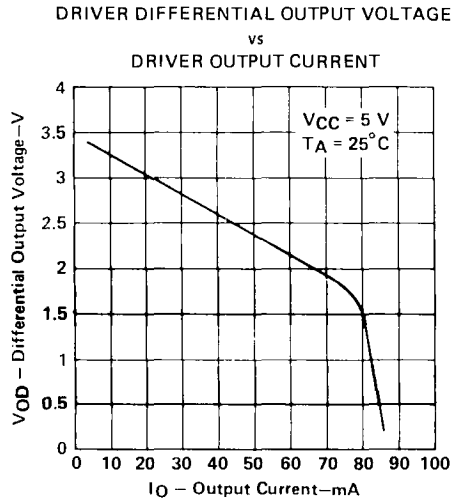


FIGURE 13

TYPICAL CHARACTERISTICS

RECEIVER HIGH-LEVEL OUTPUT VOLTAGE
vs
HIGH-LEVEL OUTPUT CURRENT

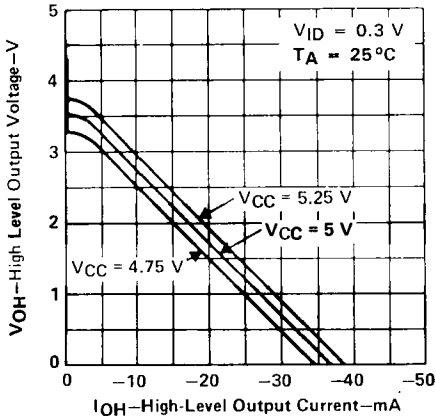


FIGURE 14

RECEIVER HIGH-LEVEL OUTPUT VOLTAGE
vs
FREE-AIR TEMPERATURE

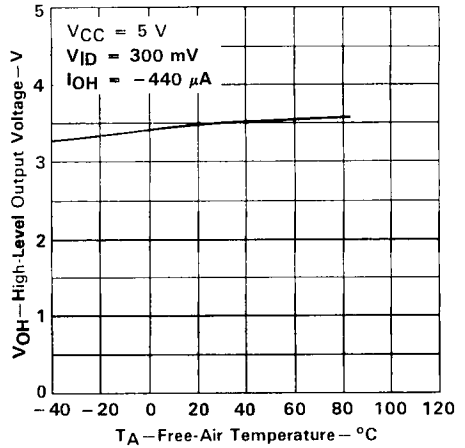


FIGURE 15

RECEIVER LOW-LEVEL OUTPUT VOLTAGE
vs
RECEIVER LOW-LEVEL OUTPUT CURRENT

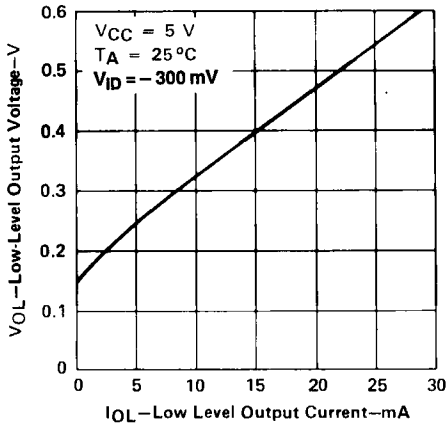


FIGURE 16

RECEIVER LOW-LEVEL OUTPUT VOLTAGE
vs
FREE-AIR TEMPERATURE

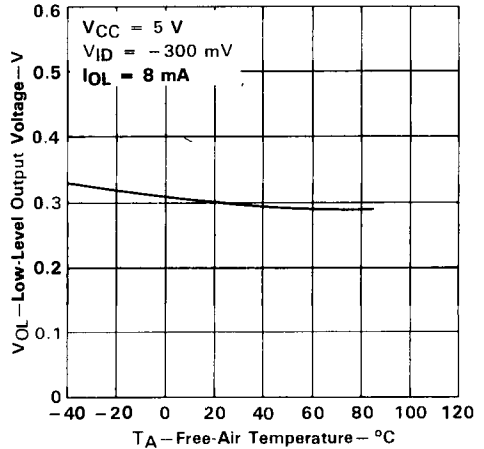


FIGURE 17

SN75ALS171 TRIPLE DIFFERENTIAL BUS TRANSCEIVER

TYPICAL CHARACTERISTICS

RECEIVER OUTPUT VOLTAGE
vs
ENABLE VOLTAGE

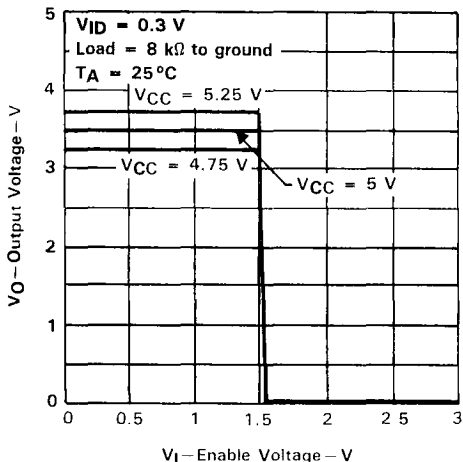


FIGURE 18

RECEIVER OUTPUT VOLTAGE
vs
ENABLE VOLTAGE

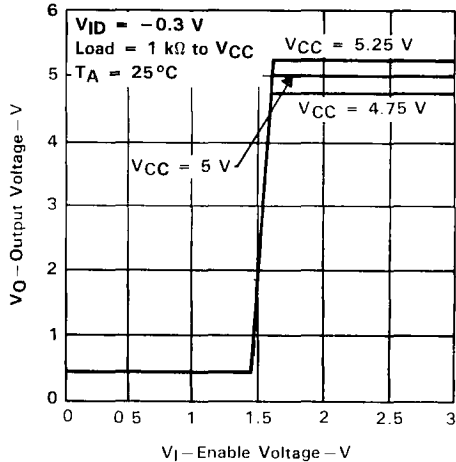
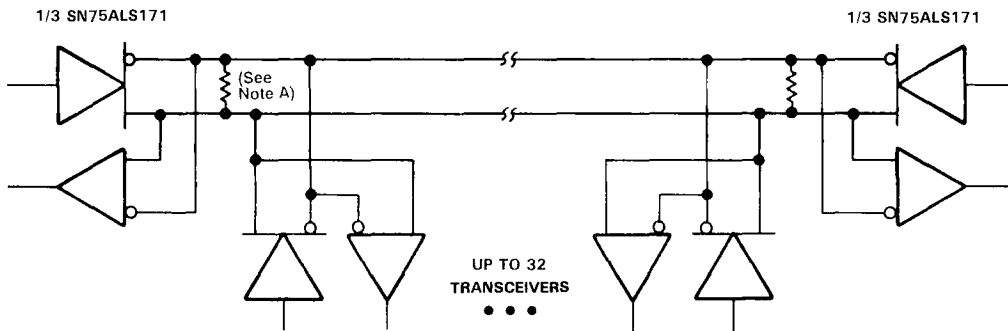


FIGURE 19

APPLICATION INFORMATION



NOTE A: The line should be terminated at both ends in its characteristic impedance. Stub lengths off the main line should be kept as short as possible.

FIGURE 20. TYPICAL APPLICATION CIRCUIT

APPLICATION INFORMATION

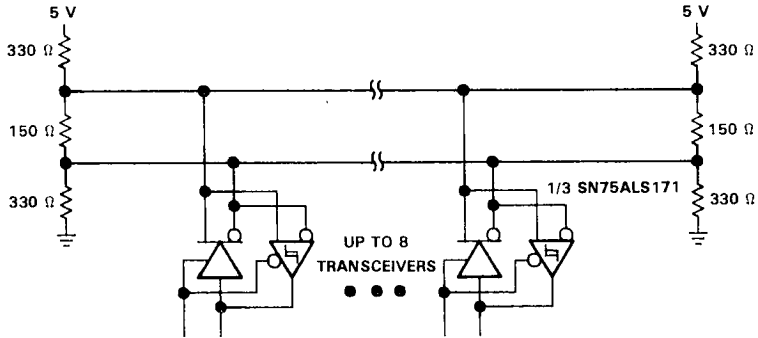


FIGURE 21. TYPICAL DIFFERENTIAL SCSI APPLICATION CIRCUIT

SN75ALS171 TRIPLE DIFFERENTIAL BUS TRANSCEIVER

APPLICATION INFORMATION

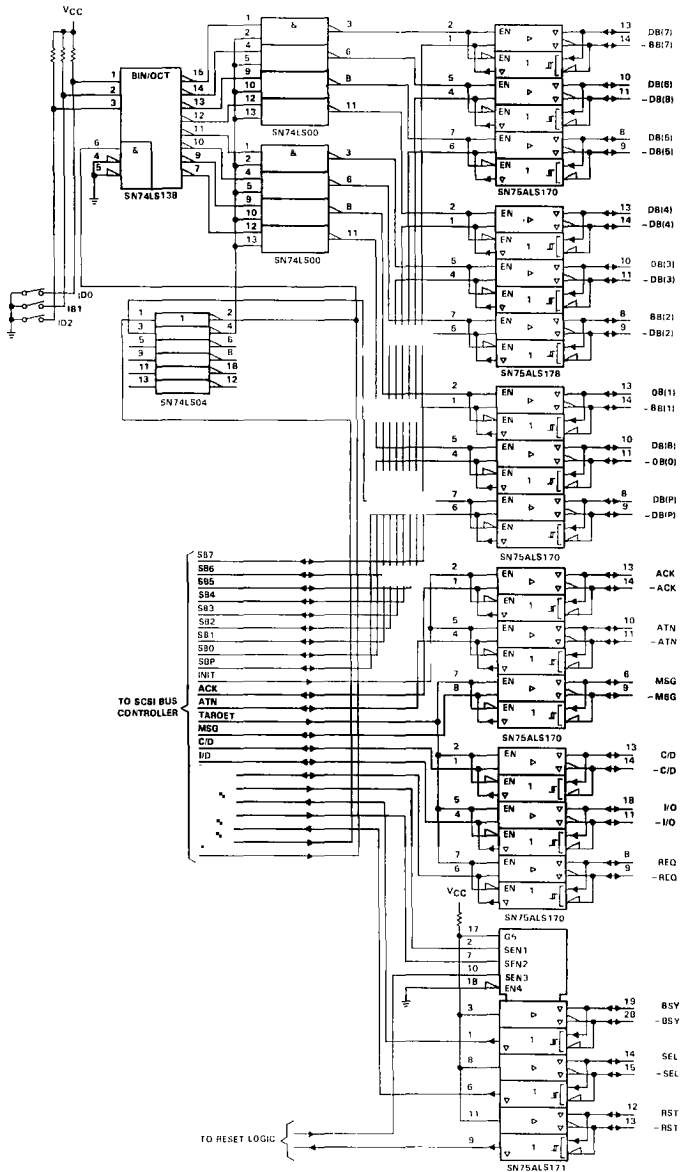


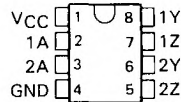
FIGURE 22. TYPICAL DIFFERENTIAL SCSI BUS INTERFACE IMPLEMENTATION

SN75ALS191 DUAL DIFFERENTIAL LINE DRIVER

D3068, DECEMBER 1987—REVISED AUGUST 1989

- Meets EIA Standard RS-422-A
- High Speed, Low-Power ALS Design
- TTL-and CMOS-Input Compatibility
- Single 5-V Supply Operation
- Output Short-Circuit Protection
- Improved Replacement for the UA9638

D OR P PACKAGE
(TOP VIEW)



FUNCTION TABLE (EACH DRIVER)

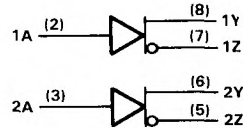
INPUT A	OUTPUTS Y Z	
H	H	L
L	L	H

description

The SN75ALS191 is a dual high-speed differential line driver designed to meet EIA Standard RS-422-A. The inputs are TTL- and CMOS-compatible and have input clamp diodes. Schottky-diode-clamped transistors are used to minimize propagation delay time. This device operates from a single 5-volt power supply and is supplied in 8-pin packages.

The SN75ALS191 is characterized for operation from 0°C to 70°C.

logic diagram (positive logic)



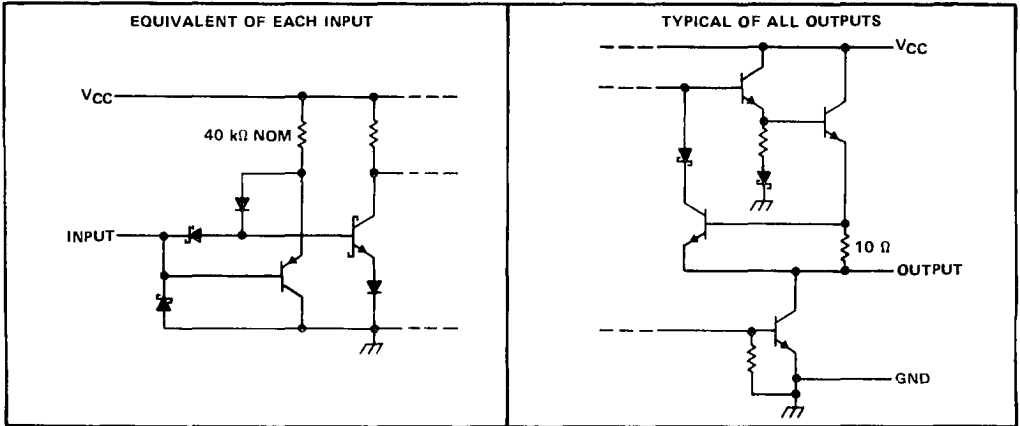
logic symbol†



†This symbol is in accordance with ANSI/IEEE Std 91-1984 and IEC Publication 617-12.

SN75ALS191 DUAL DIFFERENTIAL LINE DRIVER

schematics of inputs and outputs



absolute maximum ratings over operating free-air temperature range (unless otherwise noted)

Supply voltage, VCC (see Note 1)	7 V
Input voltage, VI	7 V
Continuous total dissipation	See Dissipation Rating Table
Operating free-air temperature range	0°C to 70°C
Storage temperature range	-65°C to 150°C
Lead temperature 1,6 mm (1/16 inch) from case for 10 seconds	260°C

NOTES: 1. All voltage values except differential output voltage V_{OD} are with respect to network ground terminal.

DISSIPATION RATING TABLE

PACKAGE	$T_A \leq 25^\circ\text{C}$	DERATING FACTOR	$T_A = 70^\circ\text{C}$
	POWER RATING	ABOVE $T_A = 25^\circ\text{C}$	POWER RATING
D	725 mW	5.8 mW/°C	725 mW
P	1000 mW	8.0 mW/°C	640 mW

recommended operating conditions

	MIN	NOM	MAX	UNIT
Supply voltage, V_{CC}	4.75	5	5.25	V
High-level input voltage, V_{IH}	2			V
Low-level input voltage, V_{IL}	0.8			V
High-level output current, I_{OH}	-50			mA
Low-level output current, I_{OL}	50			mA
Operating free-air temperature, T_A	0			70 °C

electrical characteristics over operating free-air temperature range (unless otherwise noted)

PARAMETER	TEST CONDITIONS	MIN	TYP [†]	MAX	UNIT
V_{IK} Input clamp voltage	$V_{CC} = 4.75\text{ V}$, $I_I = -18\text{ mA}$		-1	-1.2	V
V_{OH} High-level output voltage	$V_{CC} = 4.75\text{ V}$, $V_{IH} = 2\text{ V}$, $V_{IL} = 0.8\text{ V}$	$I_{OH} = -10\text{ mA}$	2.5	3.3	V
		$I_{OH} = -40\text{ mA}$	2		
V_{OL} Low-level output voltage	$V_{CC} = 4.75\text{ V}$, $V_{IH} = 2\text{ V}$, $V_{IL} = 0.8\text{ V}$, $I_{OL} = 40\text{ mA}$		0.5		V
$ V_{OD1} $ Differential output voltage	$V_{CC} = 5.25\text{ V}$, $I_O = 0$		2		$2V_{OD2}$ V
$ V_{OD2} $ Differential output voltage			2		V
$\Delta V_{OD} $ Change in magnitude of differential output voltage [‡]					±0.4 V
V_{OC} Common-mode output voltage [§]		$V_{CC} = 4.75\text{ V to }5.25\text{ V}$, $R_L = 100\ \Omega$, See Figure 1			3 V
$\Delta V_{OC} $ Change in magnitude of common-mode output voltage				±0.4 V	
I_O Output current with power off	$V_{CC} = 0$	$V_O = 6\text{ V}$	0.1		µA
		$V_O = -0.25\text{ V}$	-0.1		
		$V_O = -0.25\text{ V to }6\text{ V}$	±100		
I_I Input current	$V_{CC} = 5.25\text{ V}$, $V_I = 5.5\text{ V}$		50		µA
I_{IH} High-level input current	$V_{CC} = 5.25\text{ V}$, $V_I = 2.7\text{ V}$		25		µA
I_{IL} Low-level input current	$V_{CC} = 5.25\text{ V}$, $V_I = 0.5\text{ V}$		-200		µA
I_{OS} Short-circuit output current [¶]	$V_{CC} = 5.25\text{ V}$, $V_O = 0$		-50	-150	mA
I_{CC} Supply current (all drivers)	$V_{CC} = 5.25\text{ V}$, No load, All inputs at 0 V		32	40	mA

[†]All typical values are at $V_{CC} = 5\text{ V}$ and $T_A = 25^\circ\text{C}$.

[‡] $\Delta|V_{OD}|$ and $\Delta|V_{OC}|$ are the changes in magnitude of V_{OD} and V_{OC} , respectively, that occur when the input is changed from a high level to a low level.

[§]In EIA Standard RS-422-A, V_{OC} , which is the average of the two output voltages with respect to ground, is called output offset voltage, V_{OS} .

[¶]Only one output at a time should be shorted and duration of the short-circuit should not exceed one second.

switching characteristics over recommended range of operating free-air temperature (unless otherwise noted), $V_{CC} = 5\text{ V}$

PARAMETER	TEST CONDITION	MIN	TYP [#]	MAX	UNIT
t_{DD} Differential-output delay time	$C_L = 15\text{ pF}$, $R_L = 100\ \Omega$ See Figure 2		3.5	7	ns
t_{TD} Differential-output transition time			3.5	7	ns
t_{NEW}			1.5	4	ns

[#] Typical values are at $T_A = 25^\circ\text{C}$.

PARAMETER MEASUREMENT INFORMATION

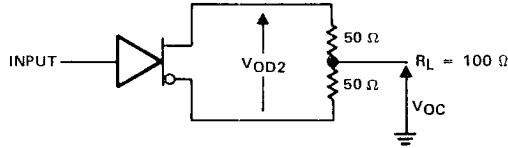
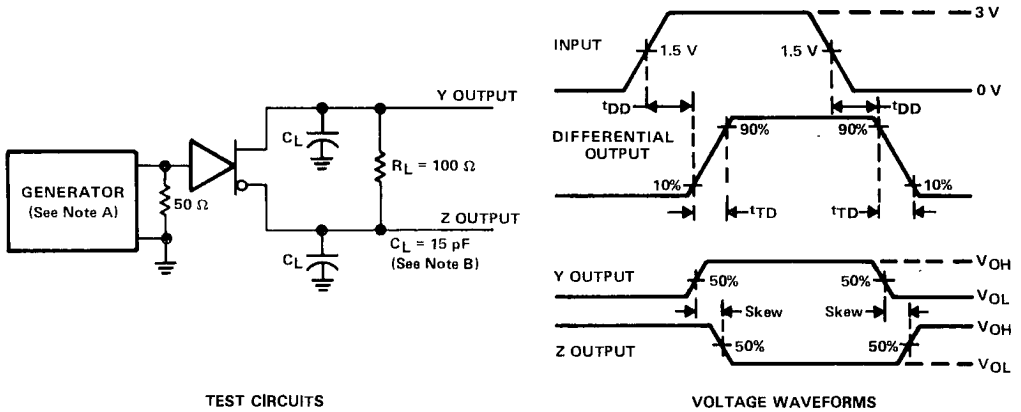


FIGURE 1. DIFFERENTIAL AND COMMON-MODE OUTPUT VOLTAGES



TEST CIRCUITS

VOLTAGE WAVEFORMS

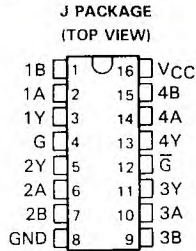
NOTES: A. The input pulse generator has the following characteristics: $Z_{OUT} = 50 \Omega$, $PRR \leq 500 \text{ kHz}$, $t_w = 100 \text{ ns}$, $t_r \leq 5 \text{ ns}$.
 B. C_L includes probe and jig capacitance.

FIGURE 2. SWITCHING TIMES

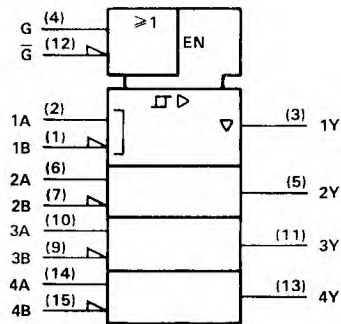
SN75ALS193 QUADRUPLE DIFFERENTIAL LINE RECEIVER WITH 3-STATE OUTPUTS

D2931, JUNE 1986—REVISED AUGUST 1989

- Meets EIA Standards RS-422-A and RS-423-A
- Meets CCITT Recommendations V.10, V.11, X.26, and X.27
- Designed for Multipoint Bus Transmission on Long Bus Lines in Noisy Environments
- 3-State Outputs
- Common-Mode Input Voltage Range . . . -7 V to 7 V
- Input Sensitivity . . . ± 200 mV
- Input Hysteresis . . . 120 mV Typ
- High Input Impedance . . . 12 k Ω Min
- Operates from Single 5-V Supply
- Low I_{CC} Requirements:
I_{CC} . . . 35 mA Max
- Improved Speed and Power Consumption Compared to AM26LS32A

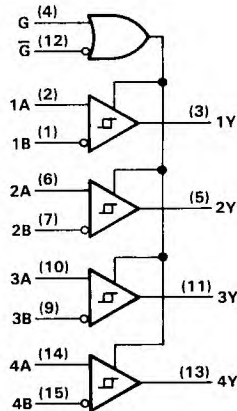


logic symbol†



† This symbol is in accordance with ANSI/IEEE Std 91-1984 and IEC Publication 617-12.

logic diagram (positive logic)



description

The SN75ALS193 is a monolithic quadruple line receiver with 3-state outputs designed using Advanced Low-Power Schottky technology. This technology provides combined improvements in bar design, tooling production, and wafer fabrication. This, in turn, provides significantly less power requirements and permits much higher data throughput than other designs. The device meets the specifications of EIA Standards RS-422-A and RS-423-A. It features 3-state outputs that permit direct connection to a bus-organized system with a Fail-Safe design that ensures the outputs will always be high if the inputs are open.

The device is optimized for balanced multipoint bus transmission at rates up to 20 megabits per second. The input features high input impedance, input hysteresis for increased noise immunity, and an input sensitivity of ± 200 mV over a common-mode input voltage range of -7 to 7 V. It also features active-high and active-low enable functions that are common to the four channels. The SN75ALS193 is designed for optimum performance when used with the SN75ALS192 quadruple differential line driver.

The SN75ALS193 is characterized for operation from 0°C to 70°C.

PRODUCTION DATA Documents contain information current as of publication date. Products conform to specifications per the terms of Texas Instruments standard warranty. Production processing does not necessarily include testing of all parameters.

**TEXAS
INSTRUMENTS**

POST OFFICE BOX 655303 • DALLAS, TEXAS 75285

Copyright © 1989, Texas Instruments Incorporated

2-781

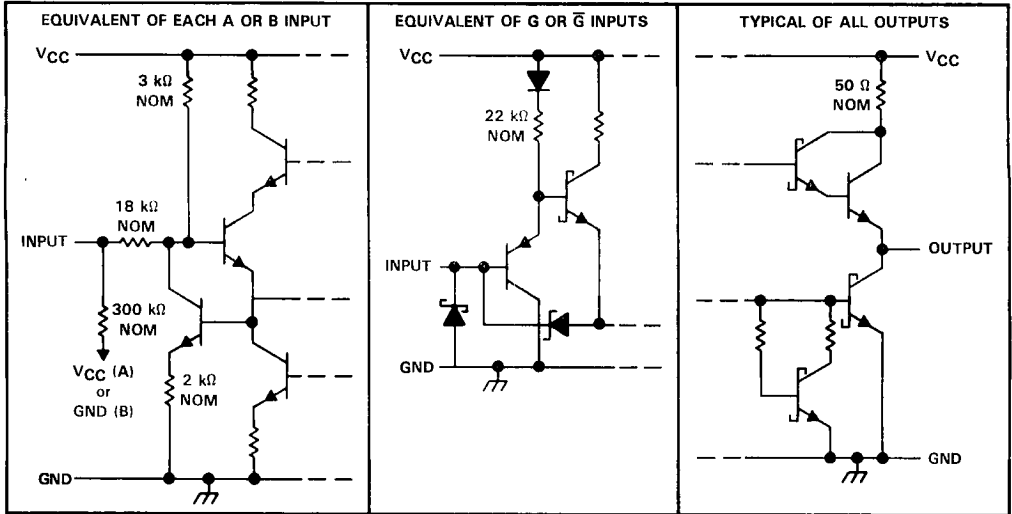
SN75ALS193 QUADRUPLE DIFFERENTIAL LINE RECEIVER WITH 3-STATE OUTPUTS

FUNCTION TABLE (EACH RECEIVER)

DIFFERENTIAL A-B	ENABLES		OUTPUT Y
	G	\bar{G}	
$V_{ID} \geq 0.2 \text{ V}$	H	X	H
	X	L	H
$-0.2 \text{ V} < V_{ID} < 0.2 \text{ V}$	H	X	?
	X	L	?
$V_{ID} \leq -0.2 \text{ V}$	H	X	L
	X	L	L
X	L	H	Z

H = high level
L = low level
X = irrelevant
? = indeterminate
Z = high impedance (off)

schematics of inputs and outputs



SN75ALS193
QUADRUPLE DIFFERENTIAL LINE RECEIVER
WITH 3-STATE OUTPUTS

absolute maximum ratings over operating free-air temperature range (unless otherwise noted)

Supply voltage, V_{CC} (see Note 1)	7 V
Input voltage, A or B inputs	± 15 V
Differential input voltage (see Note 2)	± 15 V
Enable input voltage	7 V
Low-level output current	50 mA
Continuous total dissipation at (or below) 25°C free-air temperature (see Note 3)	1025 mW
Operating free-air temperature range	0°C to 70°C
Storage temperature range	-65°C to 150°C
Lead temperature 1,6 mm (1/16 inch) from case for 60 seconds	300°C

- NOTES: 1. All voltage values, except differential input voltage, are with respect to network ground terminal.
 2. Differential-input voltage is measured at the noninverting input with respect to the corresponding inverting input.
 3. For operation above 25°C free-air temperature, derate the J package to 656 mW at 70°C at the rate of 8.2 mW/°C.

recommended operating conditions

	MIN	NOM	MAX	UNIT
Supply voltage, V_{CC}	4.75	5	5.25	V
Common-mode input voltage, V_{IC}			± 7	V
Differential input voltage, V_{ID}			± 12	V
High-level input voltage, V_{IH}	2			V
Low-level input voltage, V_{IL}			0.8	V
High-level output current, I_{OH}			-16	μ A
Low-level output current, I_{OL}			16	mA
Operating free-air temperature, T_A	0		70	°C



SN75ALS193

QUADRUPLE DIFFERENTIAL LINE RECEIVER WITH 3-STATE OUTPUTS

electrical characteristics over recommended range of common-mode input voltage, supply voltage, and operating free-air temperature (unless otherwise noted)

PARAMETER		TEST CONDITIONS		MIN	TYP [†]	MAX	UNIT
V _{T+}	Positive-going threshold voltage					200	mV
V _{T-}	Negative-going threshold voltage			-200 [‡]			mV
V _{hys}	Hysteresis [§]				120		mV
V _{IK}	Enable-input clamp voltage	I _I = -18 mA				-1.5	V
V _{OH}	High-level output voltage	V _{ID} = 200 mV, See Figure 1	I _{OH} = -400 μA,	2.7	3.6		V
V _{OL}	Low-level output voltage	V _{ID} = -200 mV, See Figure 1	I _{OL} = 8 mA			0.45	V
			I _{OL} = 16 mA			0.5	
I _{OZ}	High-impedance-state output current	V _{CC} = 5.25 V	V _O = 2.4 V			20	μA
			V _O = 0.4 V			-20	
I _I	Line input current	Other input at 0 V, See Note 4	V _I = 15 V		0.7	1.2	mA
			V _I = -15 V		-1.0	-1.7	
I _{IH}	High-level enable-input current		V _{IH} = 2.7 V			20	μA
I _{IL}	Low-level enable-input current	V _{IL} = 0.4 V	V _{IH} = 5.25 V			100	
Input resistance				12	18		kΩ
I _{OS}	Short-circuit output current	V _{ID} = 3 V, See Note 5	V _O = 0,	-15	-78	-130	mA
I _{CC}	Supply current	Outputs disabled			22	35	mA

[†] All typical values are at V_{CC} = 5 V, T_A = 25°C.

[‡] The algebraic convention, in which the less positive limit is designated minimum, is used in this data sheet for threshold voltage levels only.

[§] Hysteresis is the difference between the positive-going input threshold voltage, V_{T+}, and the negative-going input threshold voltage, V_{T-}. See Figure 4.

NOTES: 4. Refer to EIA Standard RS-422-A and RS-423-A for exact conditions.

5. Not more than one output should be shorted at a time and the duration of the short circuit should not exceed one second.

switching characteristics, V_{CC} = 5 V, T_A = 25°C

PARAMETER		TEST CONDITIONS		MIN	TYP	MAX	UNIT
t _{PLH}	Propagation delay time, low-to-high-level output	V _{ID} = -2.5 V to 2.5 V, C _L = 15 pF,			15	22	ns
t _{PHL}	Propagation delay time, high-to-low-level output	See Figure 2			15	22	ns
t _{PZH}	Output enable time to high level	C _L = 15 pF,	See Figure 3		13	25	ns
t _{PZL}	Output enable time to low level	C _L = 15 pF,	See Figure 3		11	25	ns
t _{PHZ}	Output disable time from high level	C _L = 5 pF,	See Figure 3		13	25	ns
t _{PLZ}	Output disable time from low level	C _L = 5 pF,	See Figure 3		15	22	ns

SN75ALS193
QUADRUPLE DIFFERENTIAL LINE RECEIVER
WITH 3-STATE OUTPUTS

PARAMETER MEASUREMENT INFORMATION

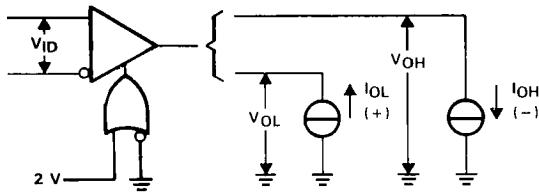
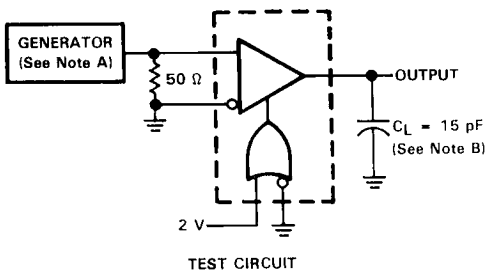
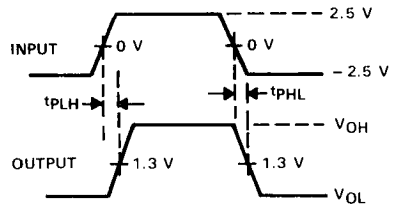


FIGURE 1. V_{OH} , V_{OL}



TEST CIRCUIT



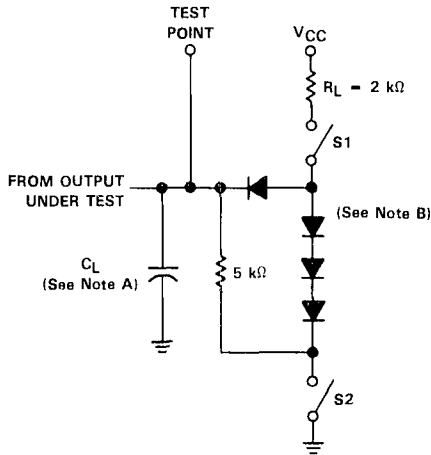
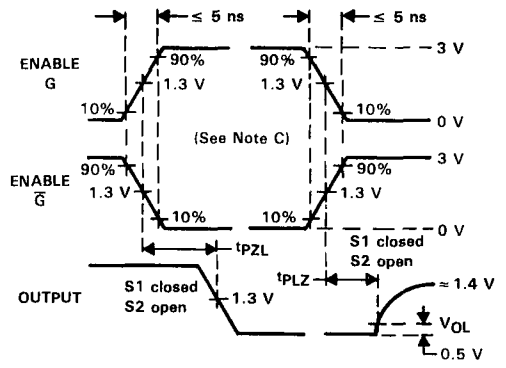
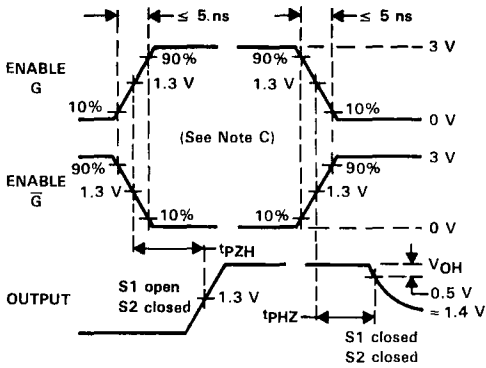
VOLTAGE WAVEFORMS

- NOTES: A. The input pulse is supplied by a generator having the following characteristics: $PRR \leq 1$ MHz, duty cycle $\leq 50\%$, $Z_{out} = 50 \Omega$, $t_r \leq 6$ ns, $t_f \leq 6$ ns.
 B. C_L includes probe and jig capacitance.

FIGURE 2. t_{PLH} , t_{PHL}

SN75ALS193
QUADRUPLE DIFFERENTIAL LINE RECEIVER
WITH 3-STATE OUTPUTS

PARAMETER MEASUREMENT INFORMATION



- NOTES: A. C_L includes probe and jig capacitance.
 B. All diodes are 1N3064 or equivalent.
 C. Enable G is tested with \bar{G} high; \bar{G} is tested with G low.

FIGURE 3. t_{PHZ} , t_{PZH} , t_{PLZ} , t_{PZL}

TYPICAL CHARACTERISTICS

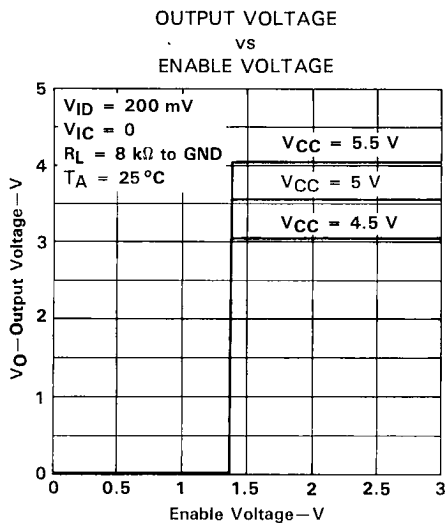


FIGURE 4

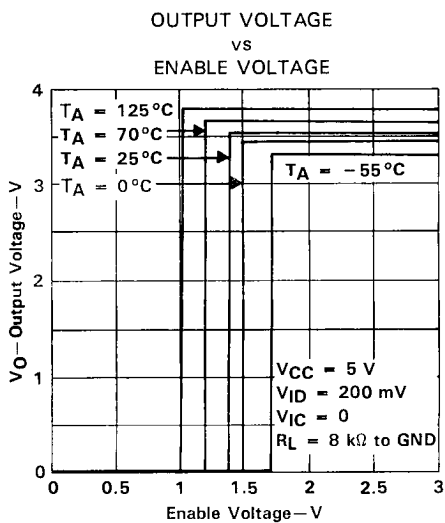


FIGURE 5

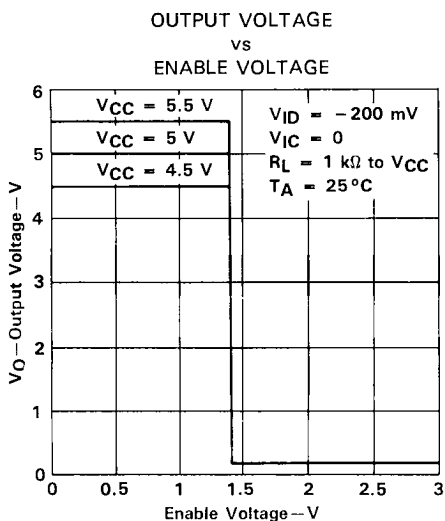


FIGURE 6

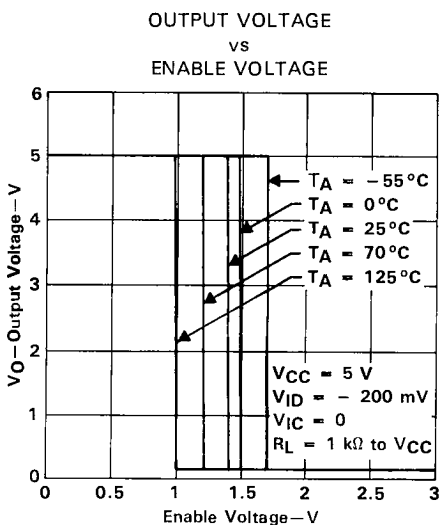


FIGURE 7

SN75ALS193
QUADRUPLE DIFFERENTIAL LINE RECEIVER
WITH 3-STATE OUTPUTS

TYPICAL CHARACTERISTICS

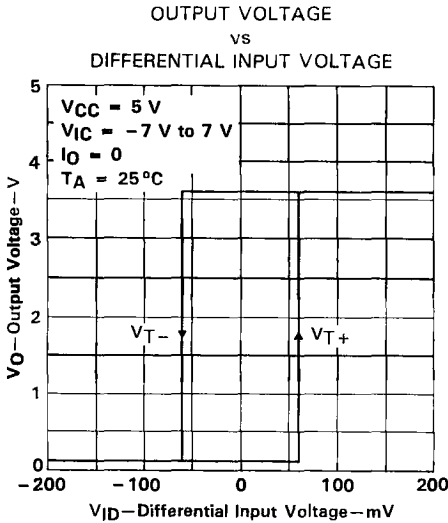


FIGURE 8

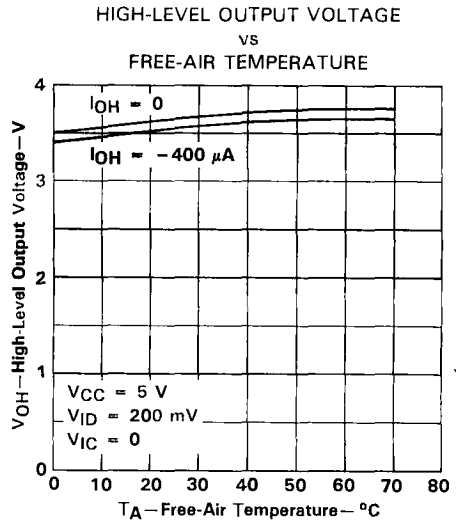


FIGURE 9

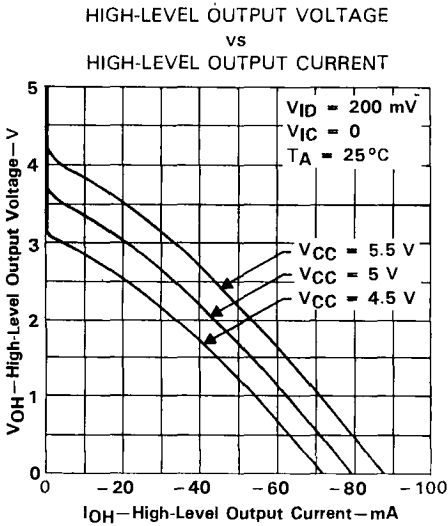


FIGURE 10

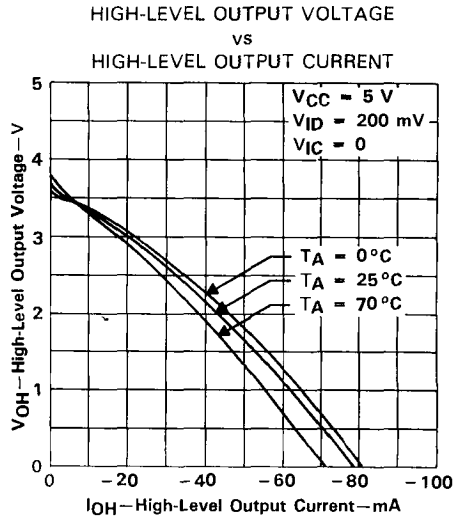


FIGURE 11

TYPICAL CHARACTERISTICS

LOW-LEVEL OUTPUT VOLTAGE
vs
FREE-AIR TEMPERATURE

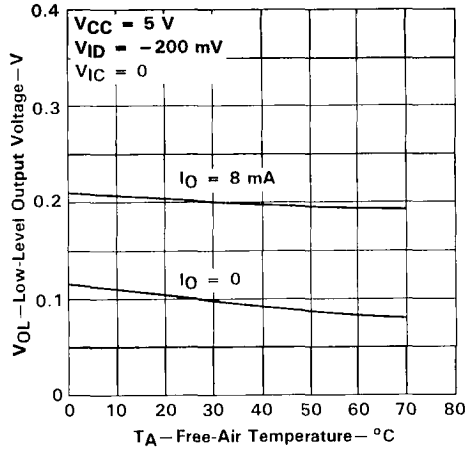


FIGURE 12

LOW-LEVEL OUTPUT VOLTAGE
vs
LOW-LEVEL OUTPUT CURRENT

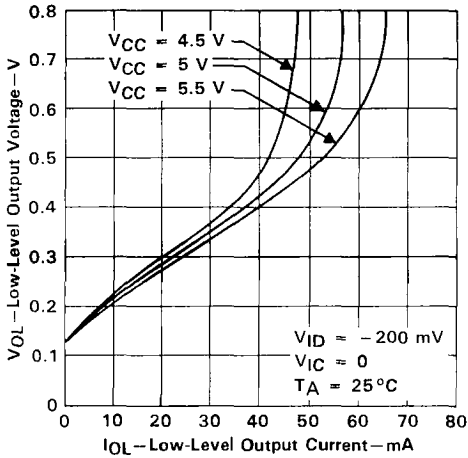


FIGURE 13

LOW-LEVEL OUTPUT VOLTAGE
vs
LOW-LEVEL OUTPUT CURRENT

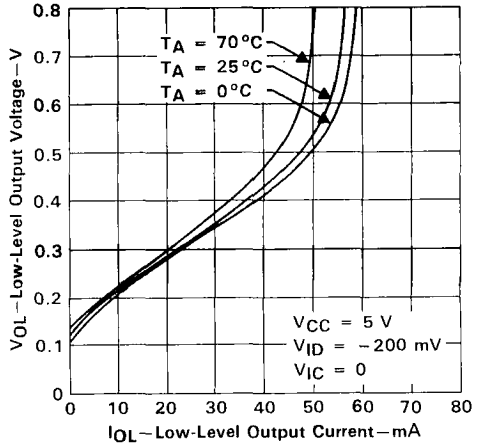


FIGURE 14

SN75ALS193
QUADRUPLE DIFFERENTIAL LINE RECEIVER
WITH 3-STATE OUTPUTS

TYPICAL CHARACTERISTICS

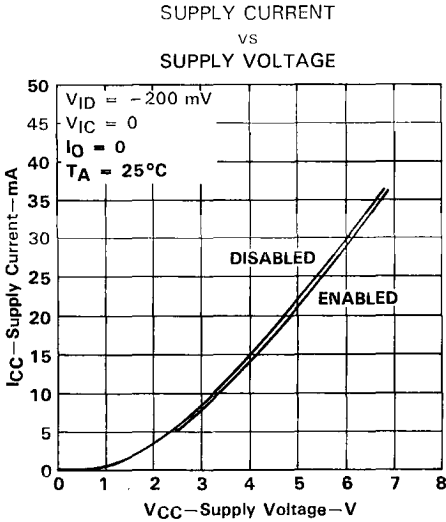


FIGURE 15

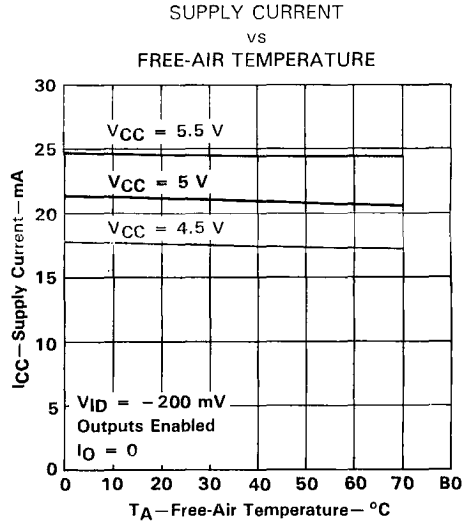


FIGURE 16

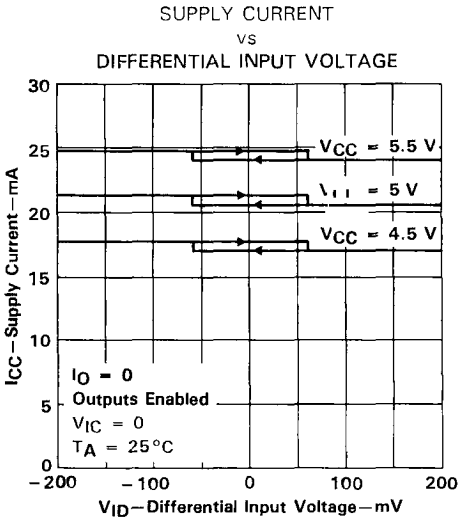


FIGURE 17

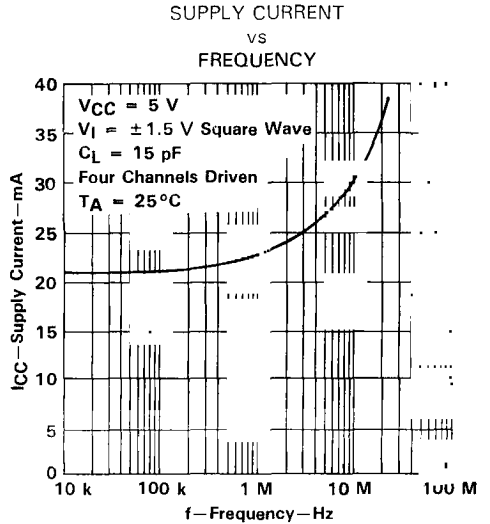


FIGURE 18

SN75ALS193
QUADRUPLE DIFFERENTIAL LINE RECEIVER
WITH 3-STATE OUTPUTS

TYPICAL CHARACTERISTICS

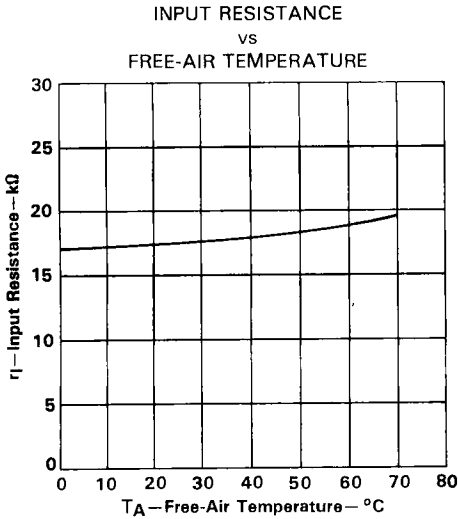


FIGURE 19

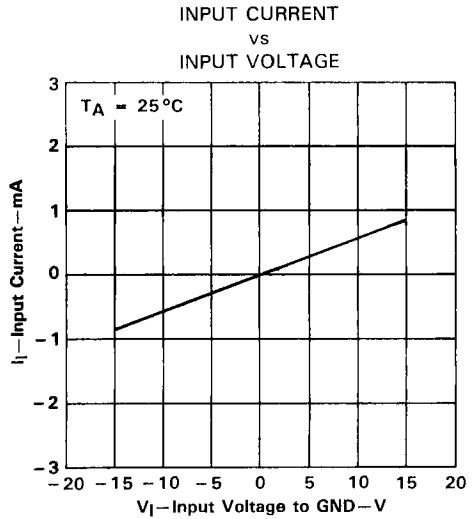


FIGURE 20

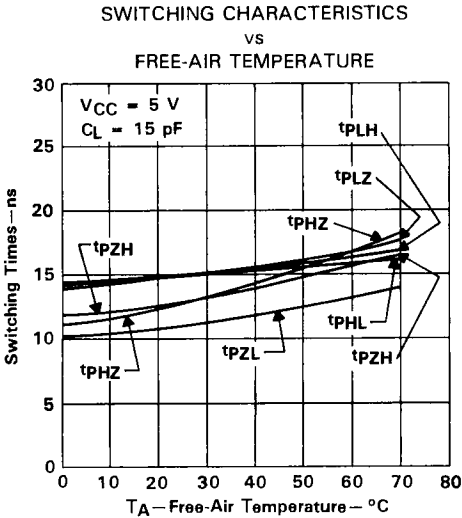


FIGURE 21

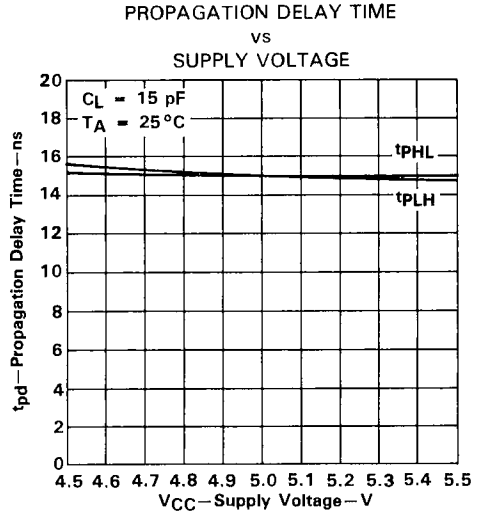


FIGURE 22



SN75ALS197 QUADRUPLE DIFFERENTIAL LINE RECEIVER WITH 3-STATE OUTPUTS

D3203, JANUARY 1989

- Meets CCITT Recommendations V.10, V.11, X.26, and X.27
- Designed for Multipoint Bus Transmission on Long Bus Lines in Noisy Environments
- 3-State Outputs
- Common-Mode Input Voltage Range . . . -7 V to 7 V
- Input Sensitivity . . . ± 300 mV
- Input Hysteresis . . . 120 mV Typ
- Operates from Single 5-V Supply
- Low I_{CC} Requirements:
 I_{CC} . . . 35 mA Max
- Improved Speed and Power Consumption Compared to AM26LS32A

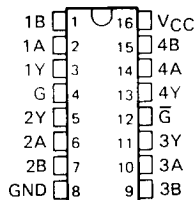
description

The SN75ALS197 is a monolithic quadruple line receiver with three-state outputs designed using Advanced Low-Power Schottky technology. This technology provides combined improvements in bar design, tooling production, and wafer fabrication. This, in turn, provides significantly less power requirements and permits much higher data throughput than other designs. The device meets the specifications of CCITT Recommendations V.10, V.11, X.26, and X.27. It features three-state outputs that permit direct connection to a bus-organized system with a Fail-Safe design that ensures the outputs will always be high if the inputs are open.

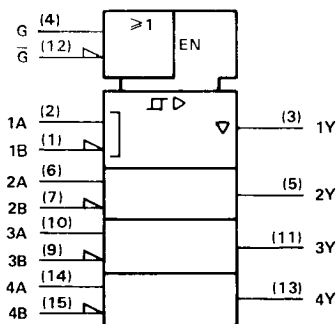
The device is optimized for balanced multipoint bus transmission at rates up to 10 megabits per second. The input features high input impedance, input hysteresis for increased noise immunity, and an input sensitivity of ± 300 mV over a common-mode input voltage range of -7 V to 7 V. It also features active-high and active-low enable functions that are common to the four channels. The SN75ALS197 is designed for optimum performance when used with the SN75ALS192 quadruple differential line driver.

The SN75ALS197 is characterized for operation from 0°C to 70°C.

D OR N PACKAGE
(TOP VIEW)

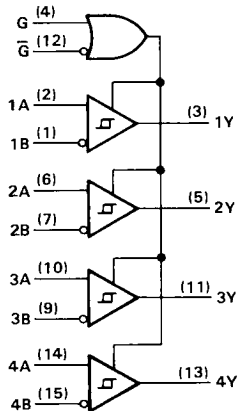


logic symbol†



† This symbol is in accordance with ANSI/IEEE Std 91-1984 and IEC Publication 617-12.

logic diagram (positive logic)



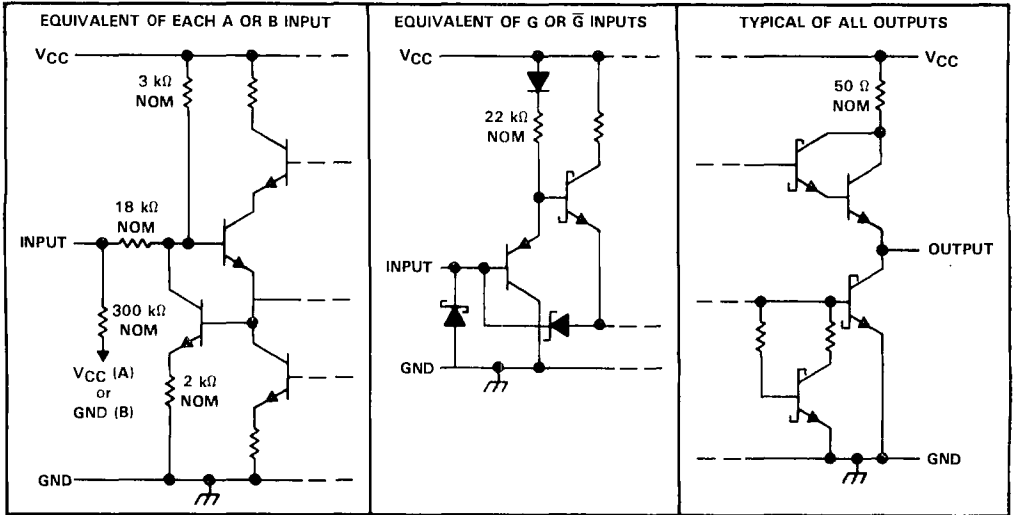
SN75ALS197
QUADRUPLE DIFFERENTIAL LINE RECEIVER
WITH 3-STATE OUTPUTS

FUNCTION TABLE (EACH RECEIVER)

DIFFERENTIAL A-B	ENABLES		OUTPUT Y
	G	\bar{G}	
$V_{ID} \geq 0.3 \text{ V}$	H	X	H
	X	L	H
$-0.3 \text{ V} < V_{ID} < 0.3 \text{ V}$	H	X	?
	X	L	?
$V_{ID} \leq -0.3 \text{ V}$	H	X	L
	X	L	L
X	L	H	Z

H = high level
 L = low level
 X = irrelevant
 ? = indeterminate
 Z = high-impedance (off)

schematics of inputs and outputs



SN75ALS197 QUADRUPLE DIFFERENTIAL LINE RECEIVER WITH 3-STATE OUTPUTS

absolute maximum ratings over operating free-air temperature range (unless otherwise noted)

Supply voltage, V_{CC} (see Note 1)	7 V
Input voltage, A or B inputs	± 15 V
Differential input voltage (see Note 2)	± 15 V
Enable input voltage	7 V
Low-level output current	50 mA
Continuous total dissipation	See Dissipation Rating Table
Operating free-air temperature range	0°C to 70°C
Storage temperature range	-65°C to 150°C
Lead temperature 1,6 mm (1/16 inch) from case for 10 seconds: D or N package	260°C

- NOTES: 1. All voltage values, except differential input voltage, are with respect to network ground terminal.
 2. Differential-input voltage is measured at the noninverting input with respect to the corresponding inverting input.

DISSIPATION RATING TABLE

PACKAGE	$T_A \leq 25^\circ\text{C}$ POWER RATING	DERATING FACTOR	$T_A = 70^\circ\text{C}$ POWER RATING
D	950 mW	7.6 mW/°C	115 mW
N	1150 mW	9.2 mW/°C	736 mW

recommended operating conditions

	MIN	NOM	MAX	UNIT
Supply voltage, V_{CC}	4.75	5	5.25	V
Non-mode input voltage, V_{IC}			± 7	V
Differential input voltage, V_{ID}			± 12	V
High-level input voltage, V_{IH}	2			V
Low-level input voltage, V_{IL}			0.8	V
High-level output current, I_{OH}			16	μA
Low-level output current, I_{OL}			16	mA
Operating free-air temperature, T_A	0		70	°C

SN75ALS197

QUADRUPLE DIFFERENTIAL LINE RECEIVER WITH 3-STATE OUTPUTS

electrical characteristics over recommended range of common-mode input voltage, supply voltage, and operating free-air temperature (unless otherwise noted)

PARAMETER	TEST CONDITIONS	MIN	TYP†	MAX	UNIT	
V_{T+} Positive-going threshold voltage					mV	
V_{T-} Negative-going threshold voltage		-300‡			mV	
V_{hys} Hysteresis§			120		mV	
V_{IK} Enable-input clamp voltage	$I_I = -18$ mA			-1.5	V	
V_{OH} High-level output voltage	$V_{ID} = 300$ mV, $I_{OH} = -400$ μ A	2.7	3.6		V	
V_{OL} Low-level output voltage	$V_{ID} = -300$ mV	$I_{OL} = 8$ mA		0.45	V	
		$I_{OL} = 16$ mA		0.5		
I_{OZ} High-impedance-state output current	$V_{CC} = 5.25$ V	$V_O = 2.4$ V		20	μ A	
		$V_O = 0.4$ V		-20		
I_I Line input current	Other input at 0 V, See Note 3	$V_I = 15$ V	0.7	1.2	mA	
		$V_I = -15$ V	-1.0	-1.7		
I_{IH} High-level enable-input current		$V_{IH} = 2.7$ V		20	μ A	
		$V_{IH} = 5.25$ V		100		
I_{IL} Low-level enable-input current	$V_{IL} = 0.4$ V			-1	μ A	
Input resistance		12	18		k Ω	
I_{OS} Short-circuit output current	$V_{ID} = 3$ V, See Note 4	$V_O = 0$,	-15	-78	-130	mA
I_{CC} Supply current	Outputs disabled		22	35	mA	

† All typical values are at $V_{CC} = 5$ V, $T_A = 25^\circ\text{C}$.

‡ The algebraic convention, in which the less positive limit is designated minimum, is used in this data sheet for threshold voltage levels only.

§ Hysteresis is the difference between the positive-going input threshold voltage, V_{T+} , and the negative-going input threshold voltage, V_{T-} .

NOTES: 3. Refer to CCITT Recommendation V.10 and V.11 for exact conditions.

4. Not more than one output should be shorted at a time and the duration of the short-circuit should not exceed one second.

switching characteristics, $V_{CC} = 5$ V, $T_A = 25^\circ\text{C}$

PARAMETER	TEST CONDITIONS	MIN	TYP	MAX	UNIT
t_{pLH} Propagation delay time, low-to-high-level output	$V_{ID} = -2.5$ V to 2.5 V, $C_L = 15$ pF,		15	22	ns
t_{pHL} Propagation delay time, high-to-low-level output	See Figure 2		15	22	
t_{pZH} Output enable time to high level	$C_L = 15$ pF, See Figure 3		13	25	ns
t_{pZL} Output enable time to low level			11	25	
t_{pHZ} Output disable time from high level	$C_L = 15$ pF, See Figure 3		13	25	ns
t_{pLZ} Output disable time from low level			15	22	

SN75ALS197
QUADRUPLE DIFFERENTIAL LINE RECEIVER
WITH 3-STATE OUTPUTS

PARAMETER MEASUREMENT INFORMATION

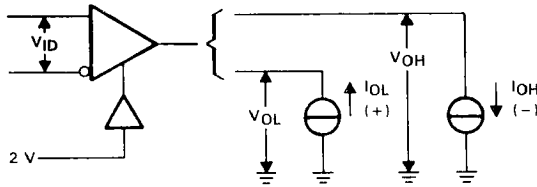
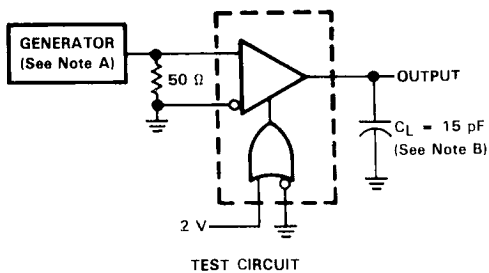
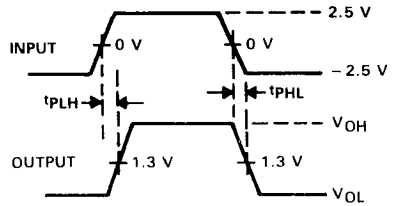


FIGURE 1. V_{OH} , V_{OL}



TEST CIRCUIT



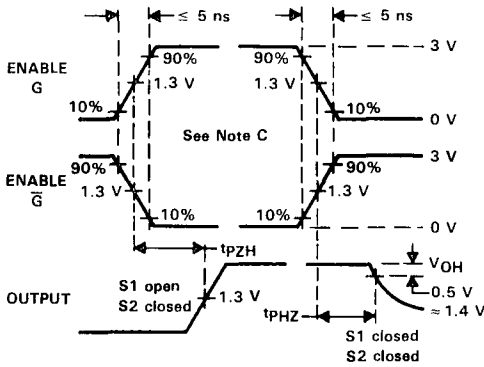
VOLTAGE WAVEFORMS

- NOTES: A. The input pulse is supplied by a generator having the following characteristics: $PRR \leq 1 \text{ MHz}$, duty cycle $\leq 50\%$, $Z_{out} = 50 \Omega$, $t_r \leq 6 \text{ ns}$, $t_f \leq 6 \text{ ns}$.
 B. C_L includes probe and jig capacitance.

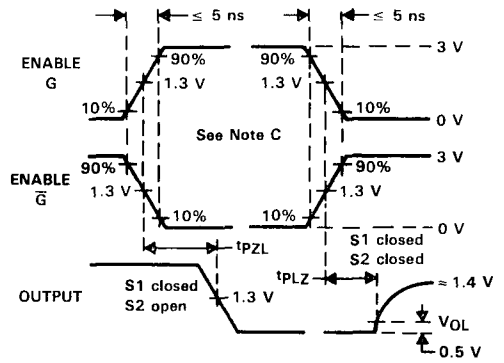
FIGURE 2. t_{PLH} , t_{PHL}

**SN75ALS197
 QUADRUPLE DIFFERENTIAL LINE RECEIVER
 WITH 3-STATE OUTPUTS**

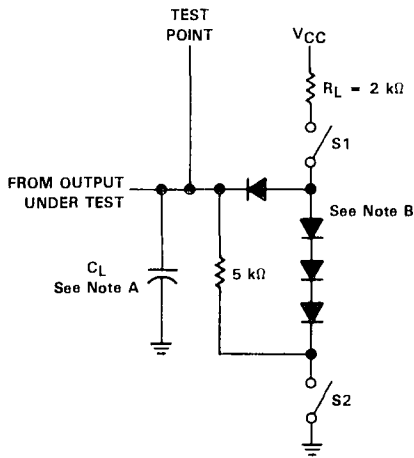
PARAMETER MEASUREMENT INFORMATION



VOLTAGE WAVEFORMS FOR t_{pHZ} , t_{pZH}



VOLTAGE WAVEFORMS FOR t_{pLZ} , t_{pZL}



LOAD CIRCUIT

- NOTES: A. C_L includes probe and jig capacitance.
 B. All diodes are 1N3064 or equivalent.
 C. Enable G is tested with \bar{G} high; \bar{G} is tested with G low.

FIGURE 3. t_{pHZ} , t_{pZH} , t_{pLZ} , t_{pZL}

TYPICAL CHARACTERISTICS

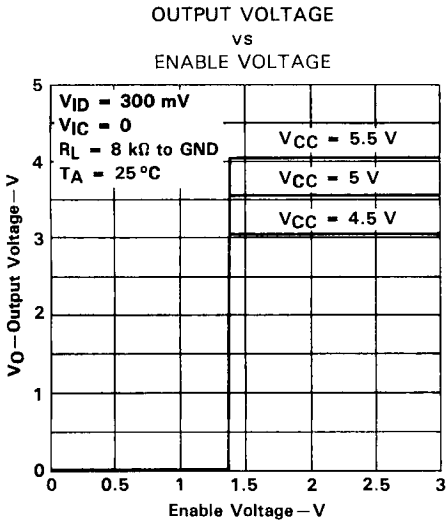


FIGURE 4

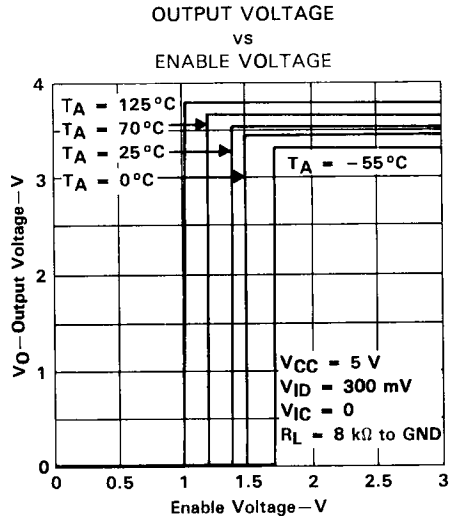


FIGURE 5

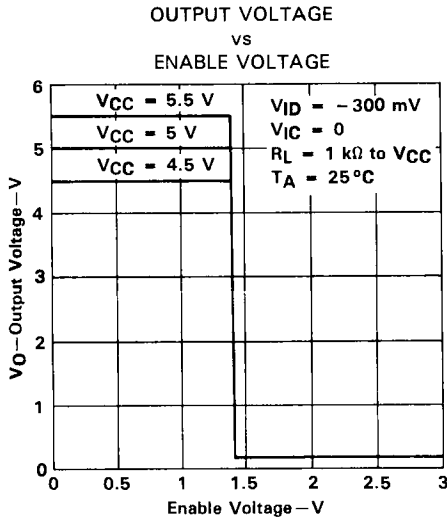


FIGURE 6

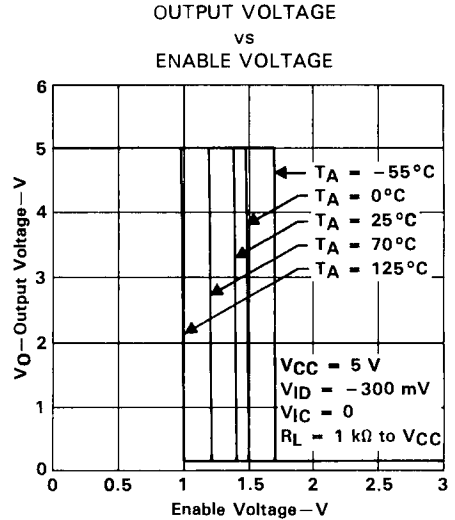


FIGURE 7

SN75ALS197
QUADRUPLE DIFFERENTIAL LINE RECEIVER
WITH 3-STATE OUTPUTS

TYPICAL CHARACTERISTICS

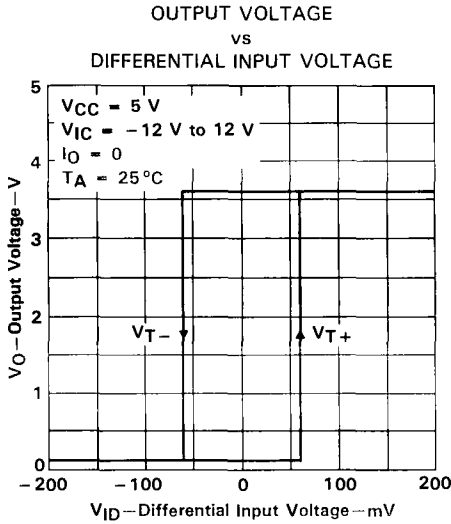


FIGURE 8

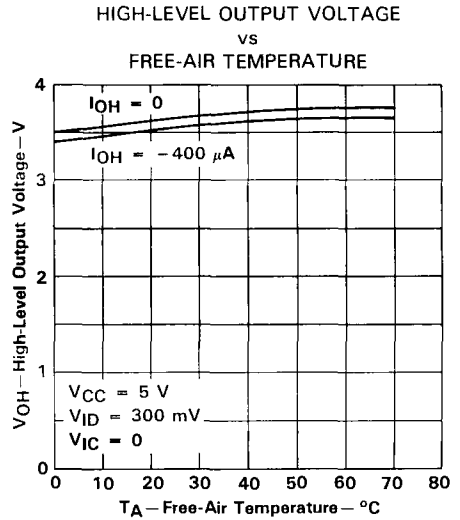


FIGURE 9

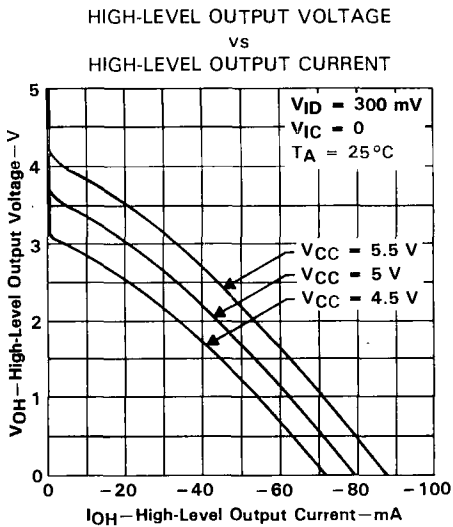


FIGURE 10

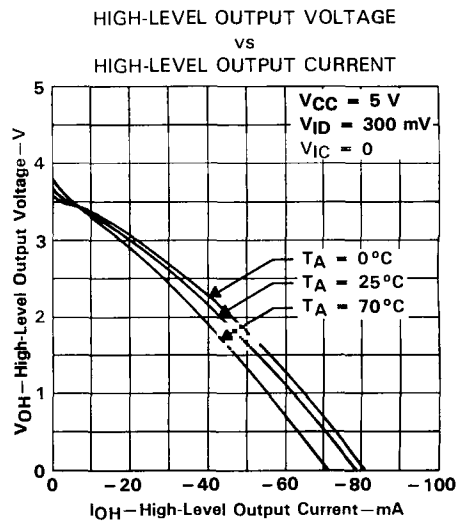


FIGURE 11

TYPICAL CHARACTERISTICS

LOW-LEVEL OUTPUT VOLTAGE
 vs
 FREE-AIR TEMPERATURE

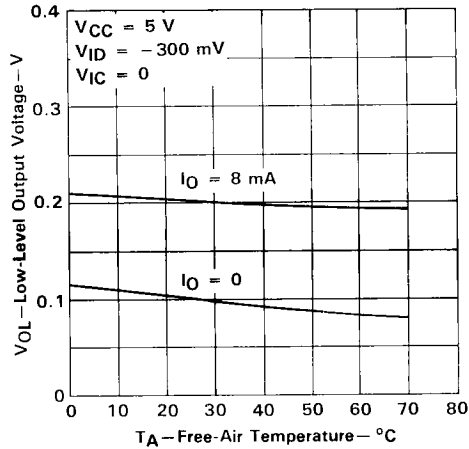


FIGURE 12

LOW-LEVEL OUTPUT VOLTAGE
 vs
 LOW-LEVEL OUTPUT CURRENT

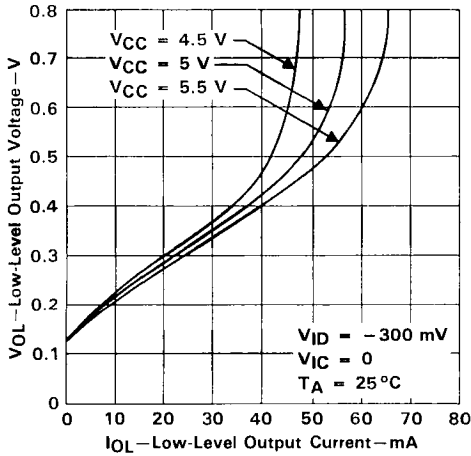


FIGURE 13

LOW-LEVEL OUTPUT VOLTAGE
 vs
 LOW-LEVEL OUTPUT CURRENT

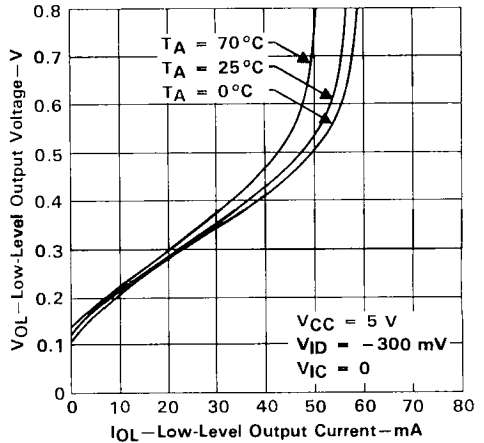


FIGURE 14

SN75ALS197
QUADRUPLE DIFFERENTIAL LINE RECEIVER
WITH 3-STATE OUTPUTS

TYPICAL CHARACTERISTICS

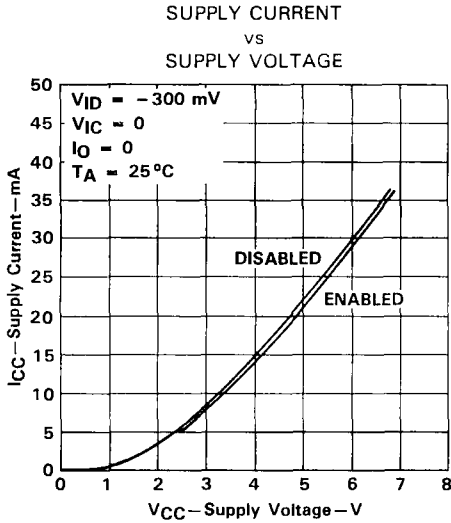


FIGURE 15

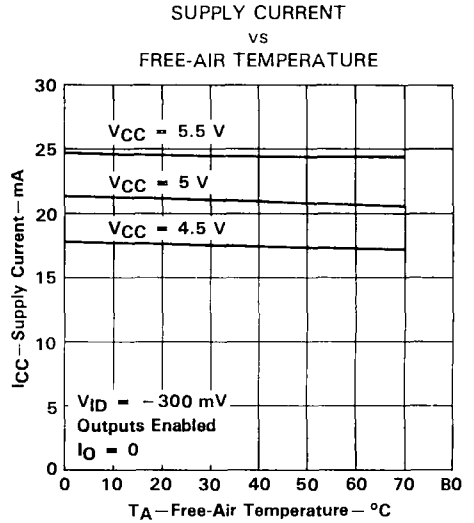


FIGURE 16

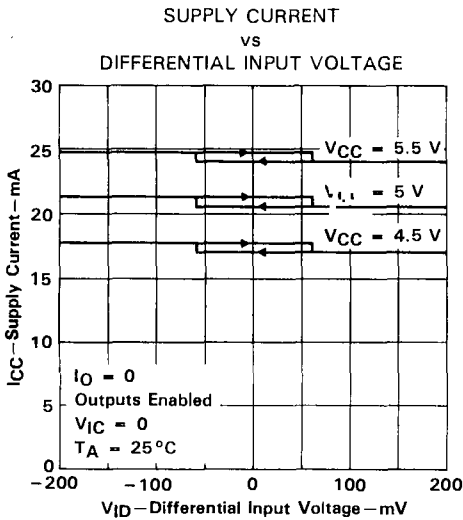


FIGURE 17

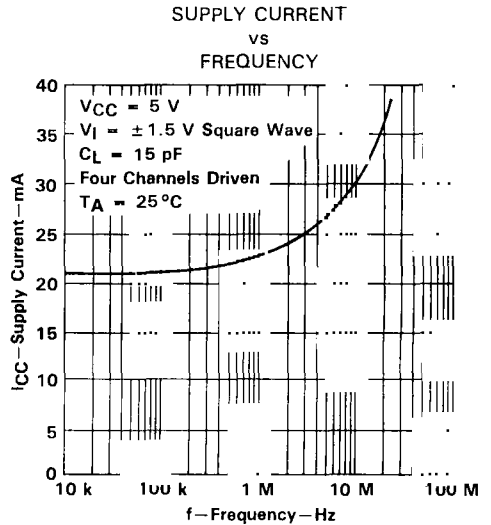


FIGURE 18

SN75ALS197
QUADRUPLE DIFFERENTIAL LINE RECEIVER
WITH 3-STATE OUTPUTS

TYPICAL CHARACTERISTICS

INPUT RESISTANCE
vs
FREE-AIR TEMPERATURE

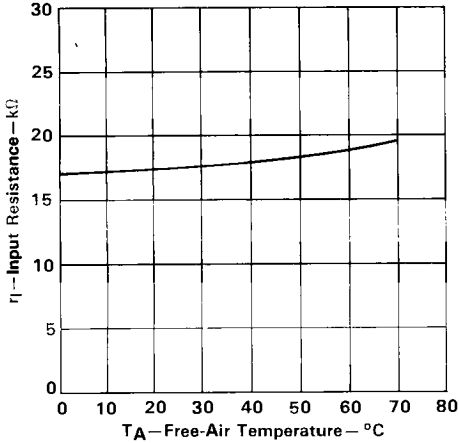


FIGURE 19

INPUT CURRENT
vs
INPUT VOLTAGE

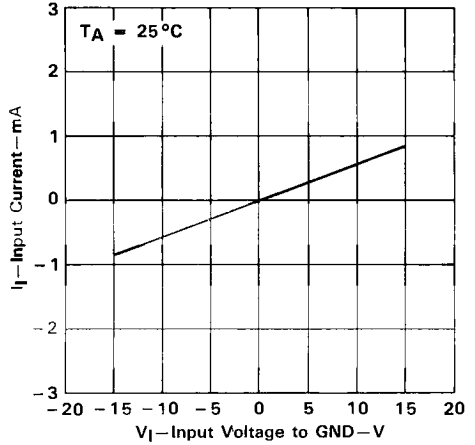


FIGURE 20

SWITCHING CHARACTERISTICS
vs
FREE-AIR TEMPERATURE

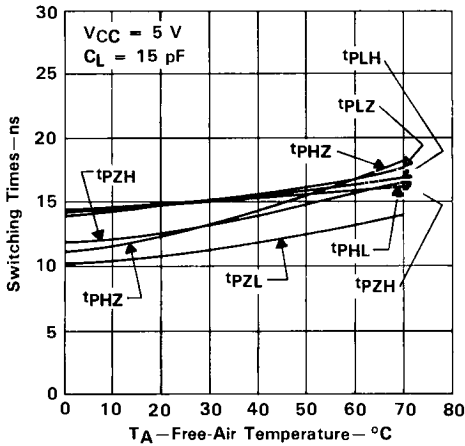


FIGURE 21

PROPAGATION DELAY TIME
vs
SUPPLY VOLTAGE

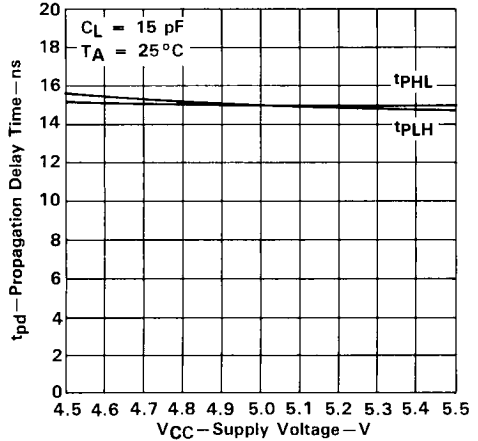


FIGURE 22



SN75ALS199 QUADRUPLE DIFFERENTIAL LINE RECEIVER WITH 3-STATE OUTPUTS

D3204, JANUARY 1989

- Meets CCITT Recommendations V.10, V.11, X.26, and X.27
- - 7 V to 7 V Common-Mode Range with 300-mV Sensitivity
- 3-State TTL-Compatible Outputs
- High Input Impedance . . . 12 k Ω Min
- Input Hysteresis . . . 120 mV Typ
- Single 5-V Supply Operation
- Low Supply Current Requirement . . . 35 mA Max
- Improved Speed and Power Consumption Compared to MC3486

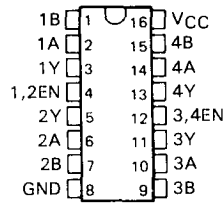
description

The SN75ALS199 is a monolithic quadruple line receiver with three-state outputs designed using Advanced Low-Power Schottky technology. This technology provides combined improvements in bar design, tooling production, and wafer fabrication, providing significantly less power consumption and permitting much higher data throughput than other designs. The device meets the specifications of CCITT Recommendations V.10, V.11, X.26 and X.27.

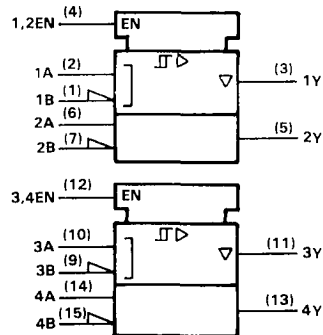
The SN75ALS199 features three-state outputs that permit direct connection to a bus-organized system with a fail-safe design that ensures the outputs will always be high if the inputs are open. The device is optimized for balanced multipoint bus transmission at rates up to 10 megabits per second. The input features high input impedance, input hysteresis for increased noise immunity, and an input sensitivity of ± 300 mV over a common-mode input voltage range of ± 7 V. It also features an active-high enable function for each of two receiver pairs. The SN75ALS199 is designed for optimum performance when used with the SN75ALS194 quadruple differential line driver.

The SN75ALS199 is characterized for operation from 0°C to 70°C.

D OR N PACKAGE
(TOP VIEW)

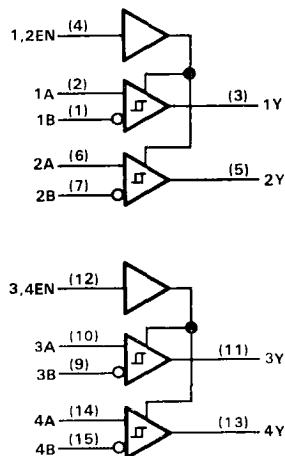


logic symbol†



†This symbol is in accordance with ANSI/IEEE Std 91-1984 and IEC Publication 617-12.

logic diagram



PRODUCTION DATA documents contain information current as of publication date. Products conform to specifications per the terms of Texas Instruments standard warranty. Production processing does not necessarily include testing of all parameters.

**TEXAS
INSTRUMENTS**

POST OFFICE BOX 655303 • DALLAS, TEXAS 75265

Copyright © 1986, Texas Instruments Incorporated

2-805

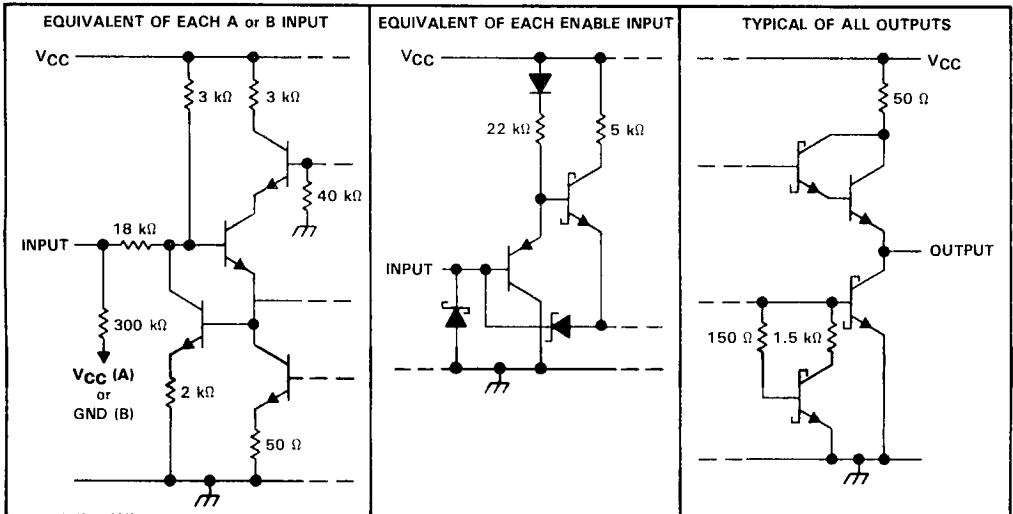
SN75ALS199 QUADRUPLE DIFFERENTIAL LINE RECEIVER WITH 3-STATE OUTPUTS

FUNCTION TABLE (EACH RECEIVER)

DIFFERENTIAL A-B	ENABLES		OUTPUT Y
	G	\bar{G}	
$V_{ID} \geq 0.3 \text{ V}$	H	X	H
	X	L	H
$-0.3 \text{ V} < V_{ID} < 0.3 \text{ V}$	H	X	?
	X	L	?
$V_{ID} \leq -0.3 \text{ V}$	H	X	L
	X	L	L
X	L	H	Z

H = high level
L = low level
X = irrelevant
? = indeterminate
Z = high-impedance (off)

schematics of inputs and outputs



SN75ALS199
QUADRUPLE DIFFERENTIAL LINE RECEIVER
WITH 3-STATE OUTPUTS

absolute maximum ratings over operating free-air temperature range (unless otherwise noted)

Supply voltage, V_{CC} (see Note 1)	7 V
Input voltage, A or B inputs, V_I	± 15 V
Differential input voltage (see Note 2)	± 15 V
Enable input voltage	7 V
Low-level output current	50 mA
Continuous total dissipation	See Dissipation Rating Table
Operating free-air temperature range	0°C to 70°C
Storage temperature range	-65°C to 150°C
Lead temperature 1,6 mm (1/16 inch) from case for 10 seconds	260°C

- NOTES: 1. All voltage values, except differential input voltage, are with respect to network ground terminal.
 2. Differential-input voltage is measured at the noninverting input with respect to the corresponding inverting input.

DISSIPATION RATING TABLE

PACKAGE	$T_A \leq 25^{\circ}\text{C}$	DERATING	$T_A = 70^{\circ}\text{C}$
	POWER RATING	FACTOR	POWER RATING
D	950 mW	7.6 mW/ $^{\circ}\text{C}$	608 mW
N	1150 mW	9.2 mW/ $^{\circ}\text{C}$	736 mW

recommended operating conditions

	MIN	NOM	MAX	UNIT
Supply voltage, V_{CC}	4.75	5	5.25	V
Common-mode input voltage, V_{IC}			± 7	V
Differential input voltage, V_{ID}			± 12	V
High-level input voltage, V_{IH}	2			V
Low-level input voltage, V_{IL}			0.8	V
High-level output current, I_{OH}			-400	μA
Low-level output current, I_{OL}			16	mA
Operating free-air temperature, T_A	0		70	$^{\circ}\text{C}$

SN75ALS199

QUADRUPLE DIFFERENTIAL LINE RECEIVER WITH 3-STATE OUTPUTS

electrical characteristics over recommended ranges of common-mode input voltage, supply voltage, and operating free-air temperature (unless otherwise noted)

PARAMETER		TEST CONDITIONS		MIN	TYP [†]	MAX	UNIT	
V _{T+}	Positive-going threshold voltage					300	mV	
V _{T-}	Negative-going threshold voltage			-300 [‡]			mV	
V _{hys}	Hysteresis [§]				120		mV	
V _{IK}	Enable-input clamp voltage	I _I = -18 mA				-1.5	V	
V _{OH}	High-level output voltage	V _{ID} = 300 mV,	I _{OH} = -400 μA	2.7	3.6		V	
V _{OL}	Low-level output voltage	V _{ID} = -300 mV	I _{OL} = 8 mA			0.45	V	
			I _{OL} = 16 mA			0.5		
I _{OZ}	High-impedance state output current	V _{IL} = 0.8 V, V _O = 2.7 V	V _{ID} = -3 V,			20	μA	
			V _{ID} = 3 V,	V _{IL} = 0.8 V, V _O = 0.5 V				-20
I _I	Line input current	Other input at 0 V, See Note 3	V _I = 15 V		0.7	1.2	mA	
			V _I = -15 V		-1.0	-1.7		
I _{IH}	High-level enable-input current		V _{IH} = 2.7 V			20	μA	
			V _{IH} = 5.25 V			100		
I _{IL}	Low-level enable-input current	V _{IL} = 0.4 V				-100	μA	
	Input resistance			12	18		kΩ	
I _{OS}	Short-circuit output current	V _{ID} = 3 V, See Note 4	V _O = 0,	-15	-78	-130	mA	
I _{CC}	Supply current	Outputs disabled		22	35		mA	

[†] All typical values are at V_{CC} = 5 V, T_A = 25°C.

[‡] The algebraic convention, in which the less positive limit is designated minimum, is used in this data sheet for threshold voltage levels only.

[§] Hysteresis is the difference between the positive-going input threshold voltage, V_{T+}, and the negative-going input threshold voltage, V_{T-}.

NOTES: 3. Refer to CCITT Recommendations V.10 and V.11 for exact conditions.

4. Not more than one output should be shorted at a time and the duration of the short-circuit should not exceed one second.

switching characteristics, V_{CC} = 5 V, T_A = 25°C

PARAMETER		TEST CONDITIONS		MIN	TYP	MAX	UNIT
t _{PLH}	Propagation delay time, low-to-high-level output	V _{ID} = 0 V to 3 V,	C _L = 15 pF,		15	22	ns
t _{PHL}	Propagation delay time, high-to-low-level output	See Figure 2			15	22	ns
t _{PZH}	Output enable time to high level	C _L = 15 pF,	See Figure 3		13	25	ns
t _{PZL}	Output enable time to low level				11	25	
t _{PHZ}	Output disable time from high level	C _L = 15 pF,	See Figure 3		13	25	ns
t _{PLZ}	Output disable time from low level				15	22	

PARAMETER MEASUREMENT INFORMATION

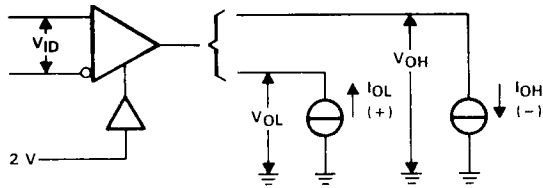
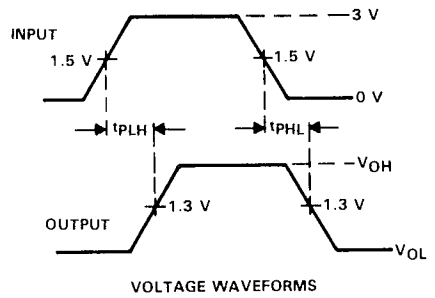
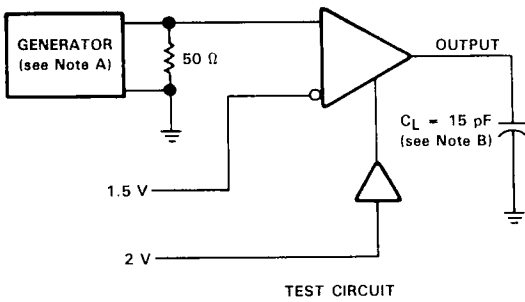


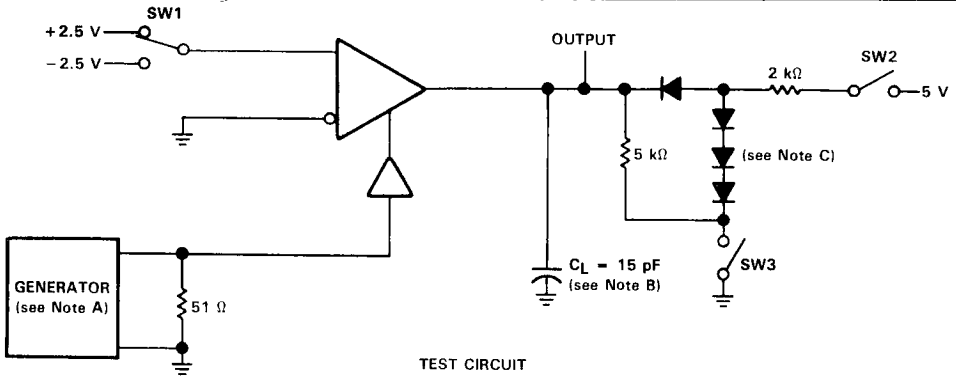
FIGURE 1. V_{OH} , V_{OL}



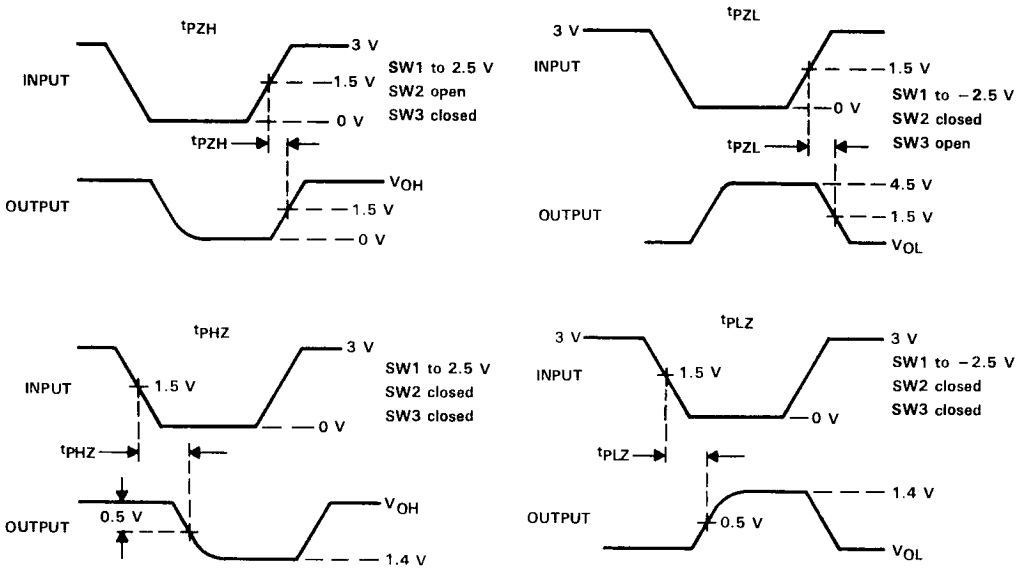
- NOTES: A. The input pulse is supplied by a generator having the following characteristics: $PRR \leq 1 \text{ MHz}$, duty cycle $\leq 50\%$, $Z_{out} = 50 \Omega$, $t_r \leq 6 \text{ ns}$, $t_f \leq 6 \text{ ns}$.
 B. C_L includes probe and jig capacitance.

FIGURE 2. PROPAGATION DELAY TIMES

SN75ALS199 QUADRUPLE DIFFERENTIAL LINE RECEIVER WITH 3-STATE OUTPUTS



TEST CIRCUIT



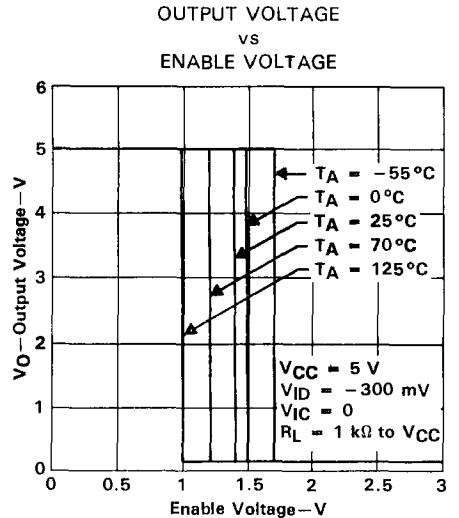
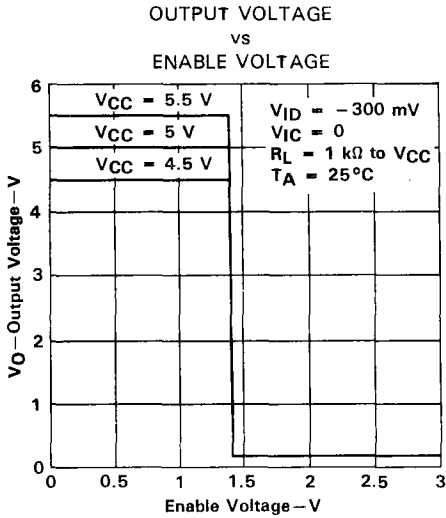
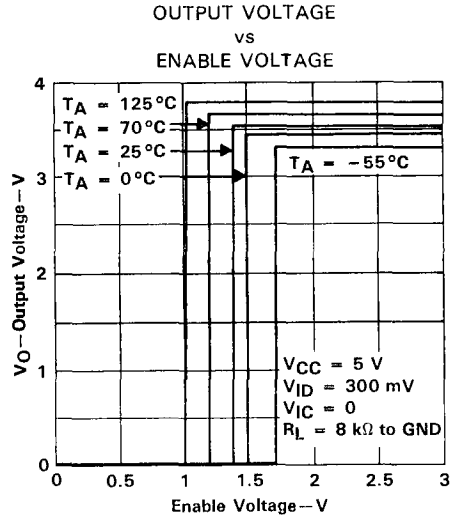
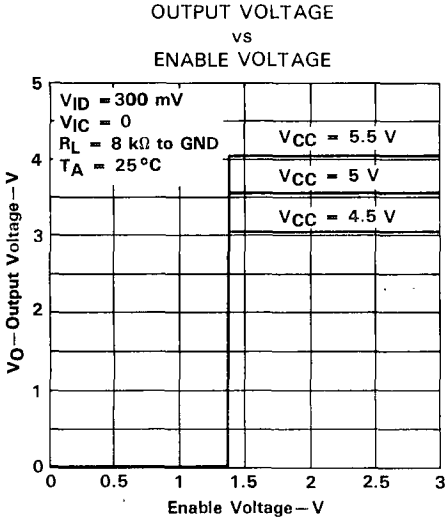
VOLTAGE WAVEFORMS

- NOTES: A. The input pulse is supplied by a generator having the following characteristics: $PRR \leq 1$ MHz, duty cycle $\leq 50\%$, $Z_{out} = 50 \Omega$, $t_r \leq 6$ ns, $t_f \leq 6$ ns.
 B. C_L includes probe and jig capacitance.
 C. All diodes are 1N3064 or equivalent.

FIGURE 3. ENABLE AND DISABLE TIMES

SN75ALS199
QUADRUPLE DIFFERENTIAL LINE RECEIVER
WITH 3-STATE OUTPUTS

TYPICAL CHARACTERISTICS



SN75ALS199
QUADRUPLE DIFFERENTIAL LINE RECEIVER
WITH 3-STATE OUTPUTS

TYPICAL CHARACTERISTICS

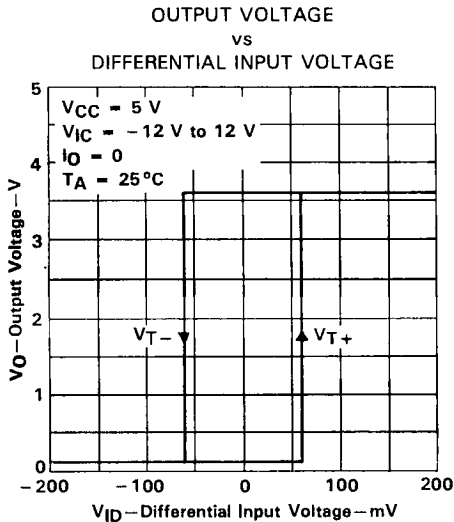


FIGURE 8

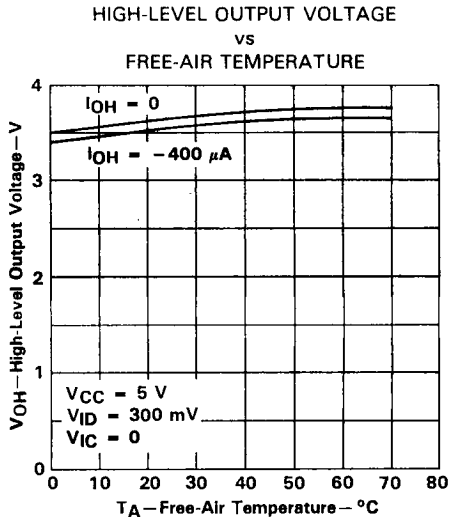


FIGURE 9

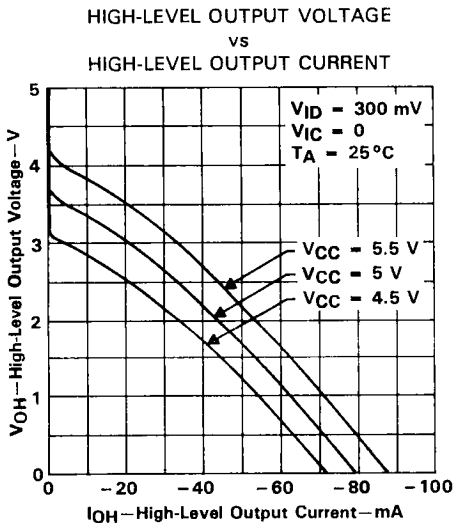


FIGURE 10

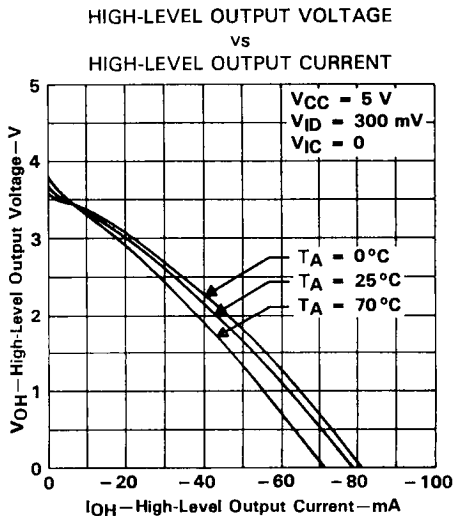


FIGURE 11



TYPICAL CHARACTERISTICS

LOW-LEVEL OUTPUT VOLTAGE
 VS
 FREE-AIR TEMPERATURE

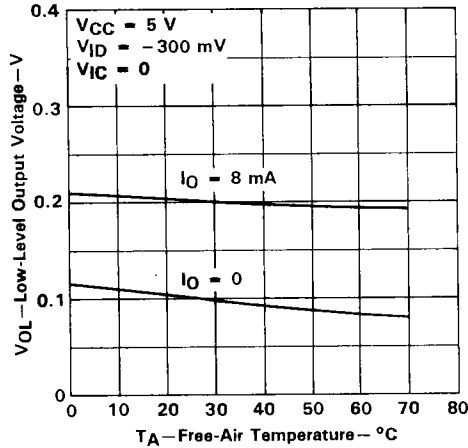


FIGURE 12

LOW-LEVEL OUTPUT VOLTAGE
 VS
 LOW-LEVEL OUTPUT CURRENT

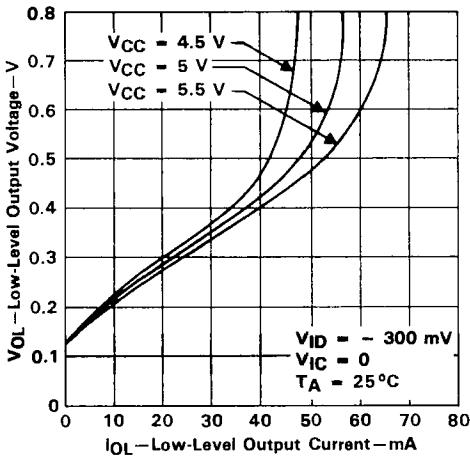


FIGURE 13

LOW-LEVEL OUTPUT VOLTAGE
 VS
 LOW-LEVEL OUTPUT CURRENT

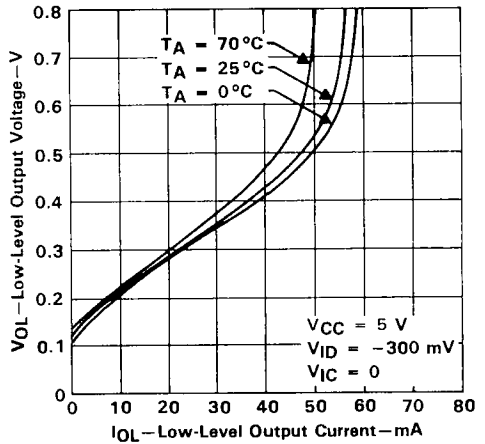
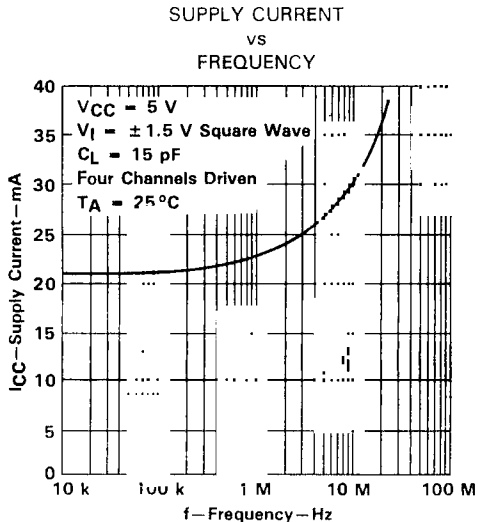
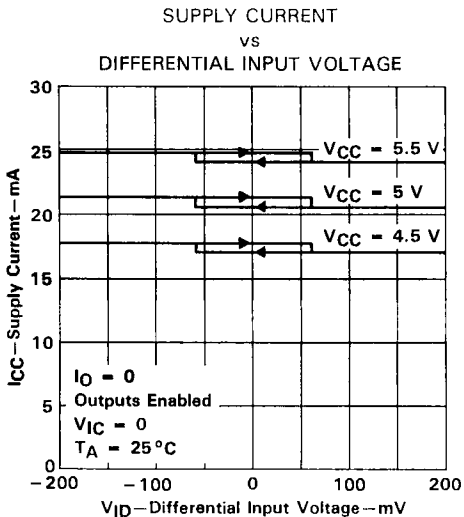
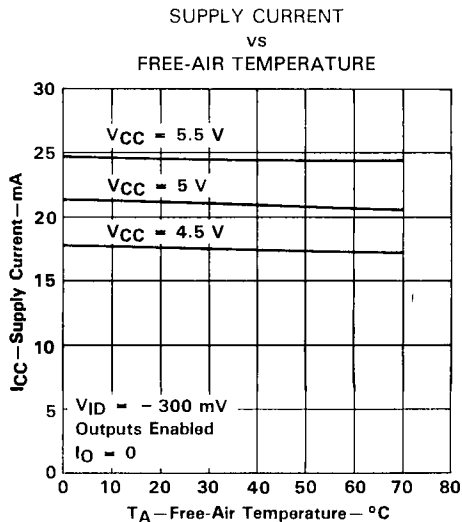
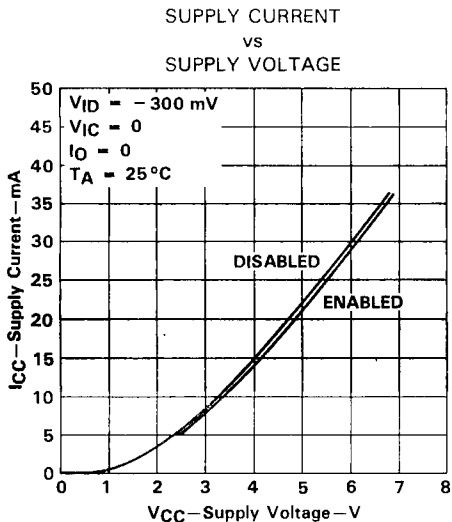


FIGURE 14

SN75ALS199 QUADRUPLE DIFFERENTIAL LINE RECEIVER WITH 3-STATE OUTPUTS

TYPICAL CHARACTERISTICS



SN75ALS199 QUADRUPLE DIFFERENTIAL LINE RECEIVER WITH 3-STATE OUTPUTS

TYPICAL CHARACTERISTICS

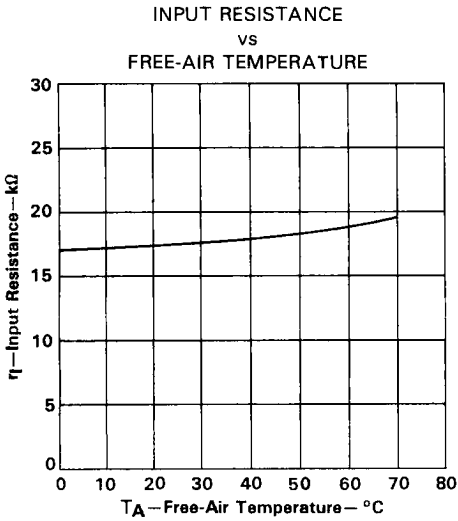


FIGURE 19

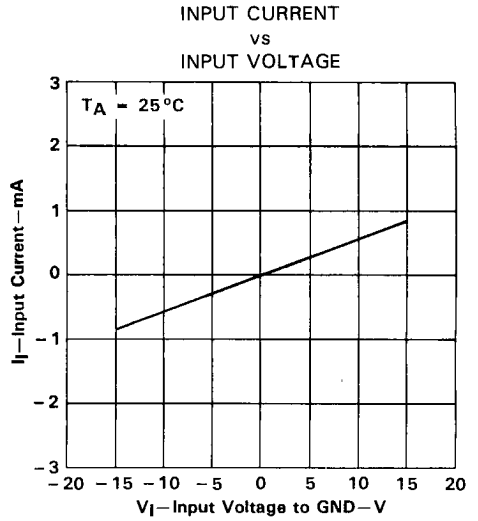


FIGURE 20

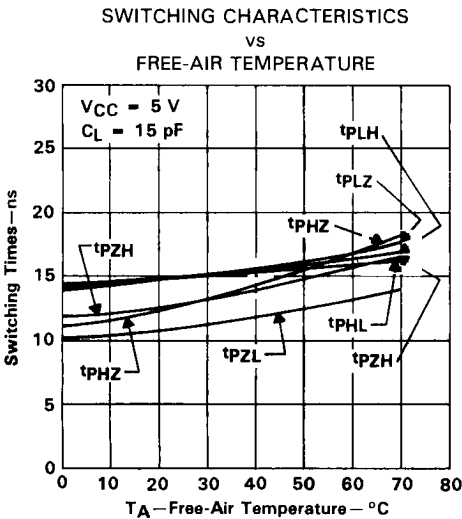


FIGURE 21

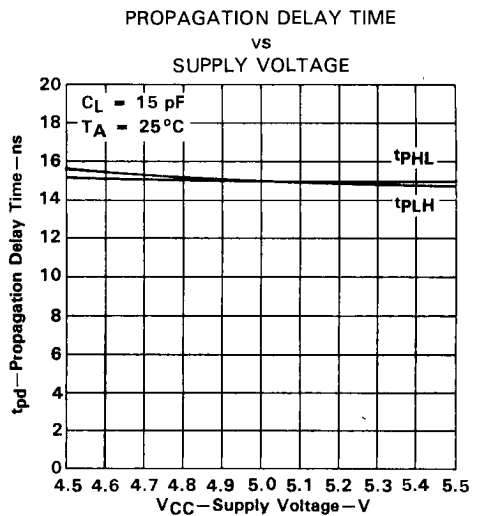


FIGURE 22



SN65C189, SN65C189A, SN75C189, SN75C189A QUADRUPLE LOW-POWER LINE RECEIVERS

D3144, OCTOBER 1988 — REVISED JULY 1990

- Meets Standard EIA-232-D (Revision of RS-232-C)
- Low Supply Current . . . 420 μ A Typ
- Preset On-Chip Input Noise Filter
- Built-in Input Hysteresis
- Response and Threshold Control Inputs
- Push-Pull Outputs
- ESD Protection Exceeds 1000 V Per MIL-STD-883C, Method 3015
- Functionally Interchangeable and Pin Compatible with Texas Instruments SN75189/SN75189A, Motorola MC1489/MC489A, and National Semiconductor DS14C88A

description

The SN65C189, SN65C189A, SN75C189, and SN75C189A are low-power bipolar quadruple line receivers that are used to interface data terminal equipment (DTE) with data circuit-terminating equipment (DCE). These devices have been designed to conform with Standard ANSI/EIA-232-D-1986, which supersedes RS-232-C.

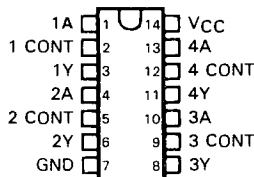
The SN65C189 and SN75C189 have a 0.25 V typical hysteresis compared with 1 V for the SN65C189A and SN75C189A. Each receiver has provision for adjustment of the overall input threshold levels. This is achieved by choosing external series resistors and voltages to provide bias levels for the response control pins. The output is in the high logic state if the input is left open circuited or shorted to ground.

These devices have an on-chip filter that rejects input pulses of shorter than 1- μ s minimum duration. An external capacitor may be connected from the control pins to ground to provide further input noise filtering for each receiver.

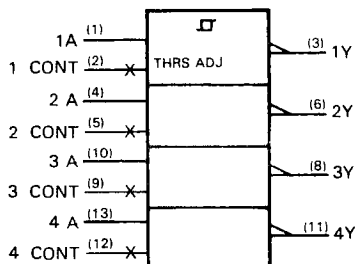
The SN65C189, SN75C189, SN65C189A, and SN75C189A have been designed using low-power techniques in a bipolar technology. In most applications, these receivers will interface to single inputs of peripheral devices such as UARTs, ACEs, or microprocessors. By using sampling, such peripheral devices are usually insensitive to the transition times of the input signals. If this is not the case, or for other uses, it is recommended that the SN65C189, SN75C189, SN65C189A, and SN75C189A outputs be buffered by single Schmitt input gates or single gates of the HCMOS, ALS or 74F logic families.

The SN65C189 and SN65C189A are characterized for operation from -40°C to 85°C. The SN75C189 and SN75C189A are characterized for operation from 0°C to 70°C.

D, DB, OR N PACKAGE
(TOP VIEW)

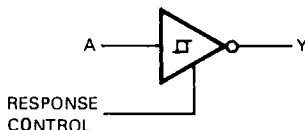


logic symbol†



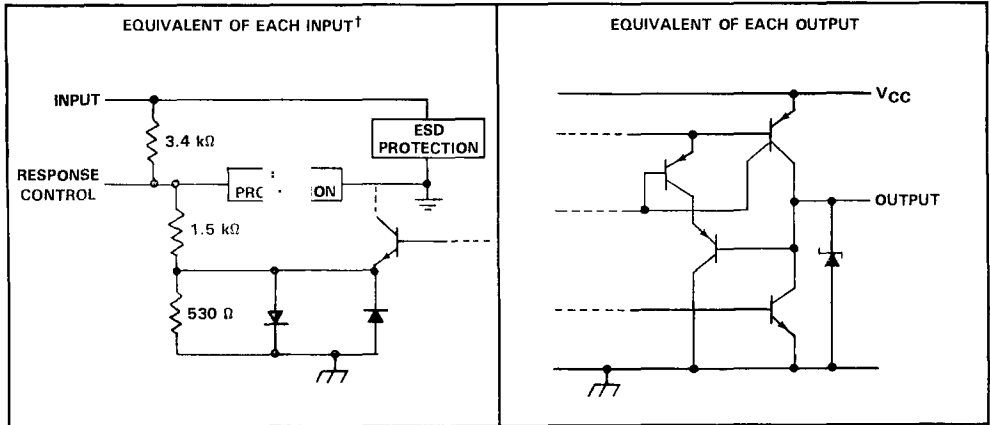
† This symbol is in accordance with ANSI/IEEE Std 91-1984 and IEC Publication 617-12.

logic diagram (each receiver)



SN65C189, SN65C189A, SN75C189, SN75C189A QUADRUPLE LOW-POWER LINE RECEIVERS

schematic of inputs and outputs



† All resistor values shown are nominal.

absolute maximum ratings over operating free-air temperature range (unless otherwise noted)

Supply voltage, V_{CC} (see Note 1)	7 V
Input voltage range	-30 V to 30 V
Output voltage range	-0.3 V to $V_{CC} + 0.3$ V
Continuous total dissipation	See Dissipation Rating Table
Operating free-air temperature range: SN65C189, SN65C189A	-40°C to 85°C
SN75C189, SN75C189A	0°C to 70°C
Storage temperature range	-65°C to 150°C
Lead temperature 1,6 mm (1/16 inch) from case for 10 seconds	260°C

NOTE 1: All voltages are with respect to the network ground terminal.

DISSIPATION RATING TABLE

PACKAGE	$T_A = 25^\circ\text{C}$	DERATING FACTOR	$T_A = 85^\circ\text{C}$
	POWER RATING	ABOVE $T_A = 25^\circ\text{C}$	POWER RATING
O	950 mW	7.6 mW/°C	494 mW
DB	525 mW	4.2 mW/°C	273 mW
N	1150 mW	9.2 mW/°C	598 mW

recommended operating conditions

	MIN	NOM	MAX	UNIT
Supply voltage, V_{CC}	4.5	5	6	V
Input voltage, V_I (see Note 2)	-25		25	V
High-level output current, I_{OH}			3.2	mA
Low-level output current, I_{OL}			3.2	mA
Response control current			±1	mA
Operating free-air temperature, T_A iC189, iC189A		-40	85
 iC189, iC189A		0	70

NOTE 2: The algebraic convention, where the more positive (less negative) limit is designated as maximum, is used in this data sheet for logic levels only, e.g., if -10 V is a maximum, the typical value is a more negative voltage.



SN65C189, SN65C189A, SN75C189, SN75C189A QUADRUPLE LOW-POWER LINE RECEIVERS

electrical characteristics over recommended free-air temperature range, $V_{CC} = 5\text{ V} \pm 10\%$ (unless otherwise noted) (See Note 3)

PARAMETERS		TEST CONDITIONS		MIN	TYP [†]	MAX	UNIT
V_{T+}	Positive-going threshold level	SN75C189	See Figure 1	1		1.5	V
		SN75C189A		1.6		2.25	
V_{T-}	Negative-going threshold level	SN75C189	See Figure 1	0.75		1.25	V
		SN75C189A		0.75	1	1.25	
V_{hys}	Input hysteresis	SN75C189	See Figure 1	0.15	0.33		V
		SN75C189A		0.65	0.97		
V_{OH}	High-level output voltage	$V_{CC} = 4.5\text{ V to }6\text{ V}, I_{OH} = -20\text{ }\mu\text{A}, V_I = 0.75\text{ V},$		3.5			V
		$V_I = 0.75\text{ V}, I_{OH} = -3.2\text{ mA}$		2.5			
V_{OL}	Low-level output voltage	$V_{CC} = 4.5\text{ V to }6\text{ V}, I_{OL} = 3.2\text{ mA}, V_I = 3\text{ V},$				0.4	V
I_{IH}	High-level input current	See Figure 2		$V_I = 25\text{ V}$	3.6	8.3	mA
				$V_I = 3\text{ V}$	0.43	1	
I_{IL}	Low-level input current	See Figure 2		$V_I = -25\text{ V}$	-3.6	-8.3	mA
				$V_I = -3\text{ V}$	-0.43	-1	
I_{OS}	Short-circuit output current	See Figure 3				-35	mA
I_{CC}	Supply current	$V_I = 5\text{ V},$ No load, See Figure 2			420	700	μA

[†]All typical values are at $T_A = 25^\circ\text{C}$.

NOTE 3: All characteristics are measured with response control terminal open.

switching characteristics at $T_A = 25^\circ\text{C}, V_{CC} = 5\text{ V} \pm 10\%$

PARAMETERS		TEST CONDITIONS		MIN	TYP	MAX	UNIT
t_{PLH}	Propagation delay time, low-to-high-level output	$C_L = 50\text{ pF},$	See Figure 4			6	μs
t_{PHL}	Propagation delay time, high-to-low-level output	$C_L = 50\text{ pF},$	See Figure 4			6	μs
t_{TLH}	Transition time, high-to-low-level output [‡]	$C_L = 50\text{ pF},$	See Figure 4			500	ns
t_{THL}	Transition time, high-to-low-level output [‡]	$C_L = 50\text{ pF},$	See Figure 4			300	ns
$t_{w(N)}$	Duration of longest pulse rejected as noise [§]	$C_L = 50\text{ pF},$	See Figure 4	1		6	μs

[‡]Measured between 10% and 90% points of output waveform.

[§]The intent of this specification is that any input pulse of less than $1\text{ }\mu\text{s}$ will have no effect on the output, and any pulse duration of greater than $6\text{ }\mu\text{s}$ will cause the output to change state twice. Reaction to a pulse duration between $1\text{ }\mu\text{s}$ and $6\text{ }\mu\text{s}$ is uncertain.

SN65C189, SN65C189A, SN75C189, SN75C189A
QUADRUPLE LOW-POWER LINE RECEIVERS

PARAMETER MEASUREMENT INFORMATION†

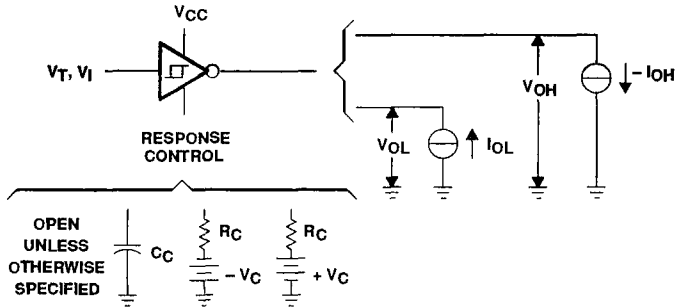
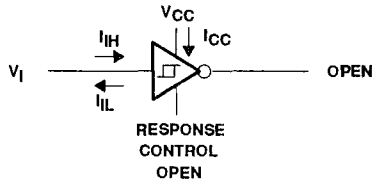


FIGURE 1. V_{T+} , V_{T-} , V_{OH} , V_{OL}



I_{CC} is tested for all four receivers simultaneously

FIGURE 2. I_{IH} , I_{IL} , I_{CC}

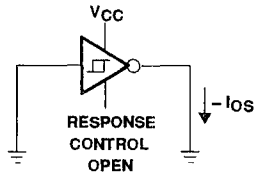
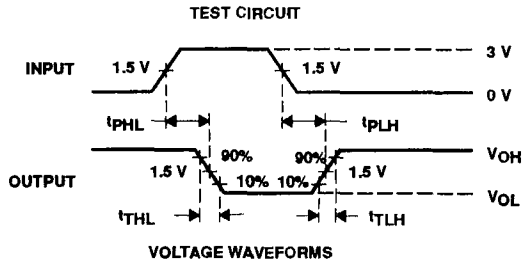
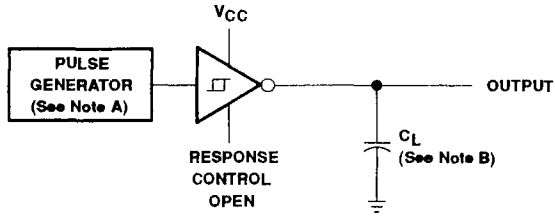


FIGURE 3. I_{OS}

†Arrows indicate actual direction of current flow. Current into a terminal is a positive value.

SN65C189, SN65C189A, SN75C189, SN75C189A
QUADRUPLE LOW-POWER LINE RECEIVERS

PARAMETER MEASUREMENT INFORMATION



- NOTES: A. The pulse generator has the following characteristics: $Z_O = 50 \Omega$, $t_w = 25 \mu s$.
B. C_L includes probe and jig capacitances.

FIGURE 4. SWITCHING TIMES

**SN65C189, SN65C189A, SN75C189, SN75C189A
QUADRUPLE LOW-POWER LINE RECEIVERS**

TYPICAL CHARACTERISTICS

**SN75C189
POSITIVE-GOING THRESHOLD VOLTAGE
vs
FREE-AIR TEMPERATURE**

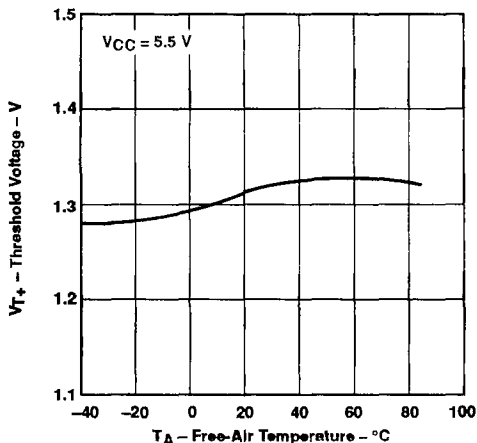


FIGURE 5

**SN75C189A
POSITIVE-GOING THRESHOLD VOLTAGE
vs
FREE-AIR TEMPERATURE**

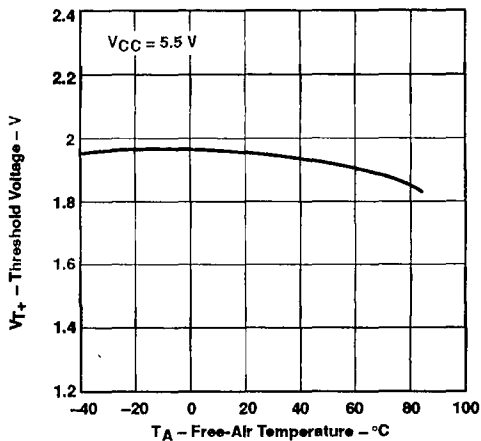


FIGURE 6

**SN75C189
NEGATIVE-GOING THRESHOLD VOLTAGE
vs
FREE-AIR TEMPERATURE**

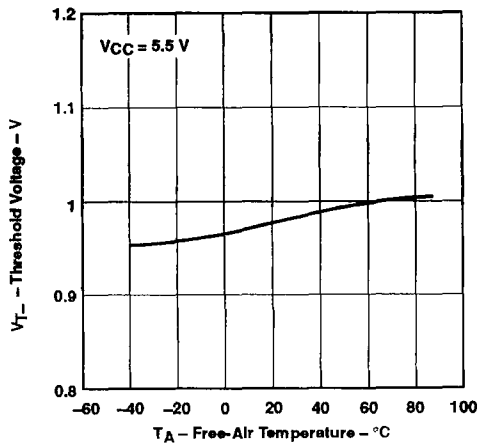


FIGURE 7

**SN75C189A
NEGATIVE-GOING THRESHOLD VOLTAGE
vs
FREE-AIR TEMPERATURE**

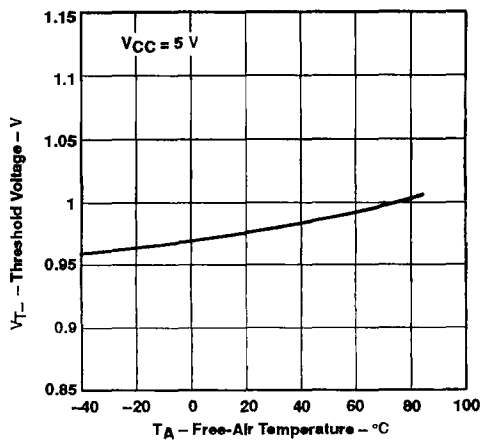


FIGURE 8

SN65C189, SN65C189A, SN75C189, SN75C189A
 QUADRUPLE LOW-POWER LINE RECEIVERS

TYPICAL CHARACTERISTICS

SN75C189
 INPUT HYSTERESIS
 vs
 FREE-AIR TEMPERATURE

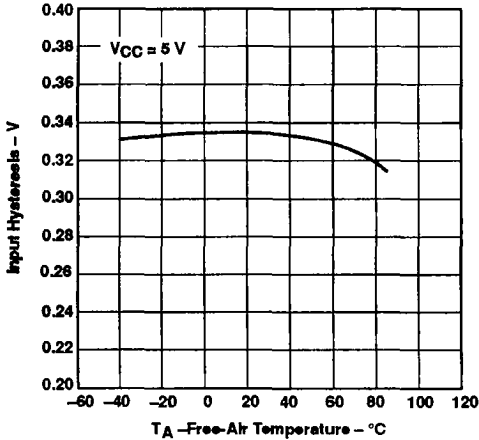


FIGURE 9

SN75C189A
 INPUT HYSTERESIS
 vs
 FREE-AIR TEMPERATURE

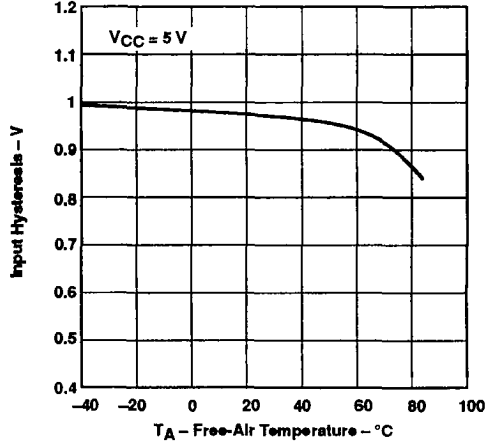


FIGURE 10

HIGH-LEVEL OUTPUT VOLTAGE
 vs
 FREE-AIR TEMPERATURE

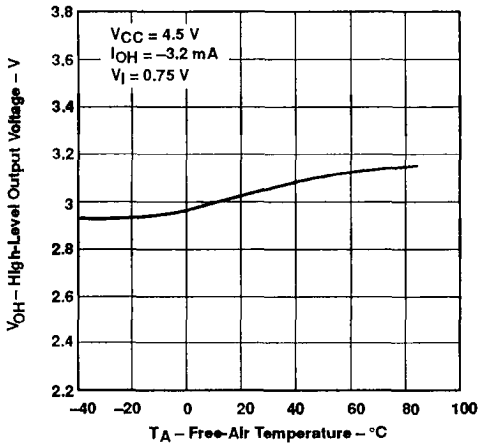


FIGURE 11

LOW-LEVEL OUTPUT VOLTAGE
 vs
 FREE-AIR TEMPERATURE

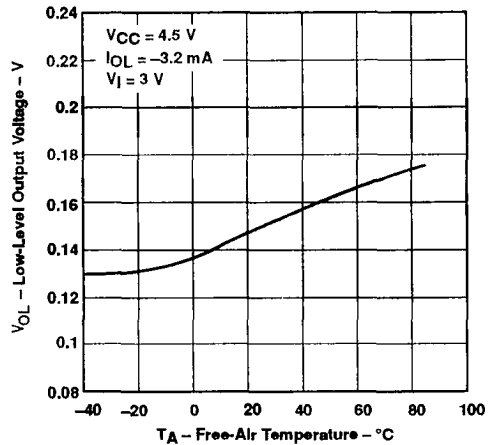


FIGURE 12

SN65C189, SN65C189A, SN75C189, SN75C189A
QUADRUPLE LOW-POWER LINE RECEIVERS

TYPICAL CHARACTERISTICS

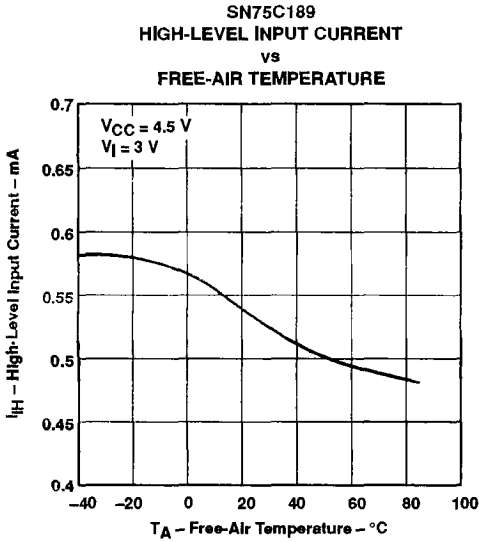


FIGURE 13

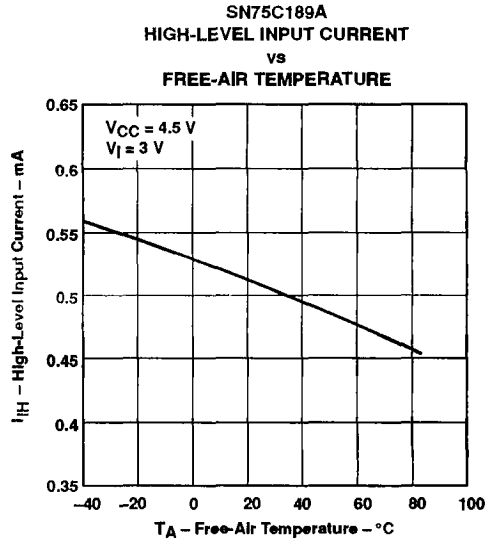


FIGURE 14

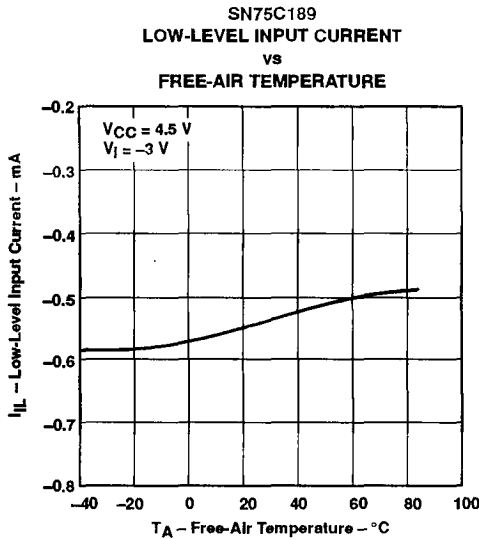


FIGURE 15

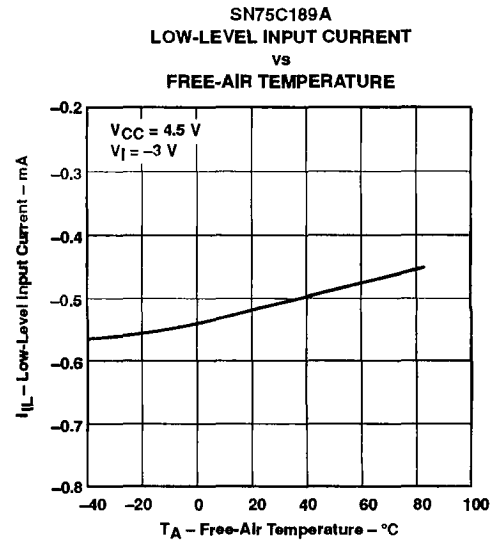


FIGURE 16

SN65C189, SN65C189A, SN75C189, SN75C189A
 QUADRUPLE LOW-POWER LINE RECEIVERS

TYPICAL CHARACTERISTICS

HIGH-LEVEL SHORT-CIRCUIT OUTPUT CURRENT
 vs
 FREE-AIR TEMPERATURE

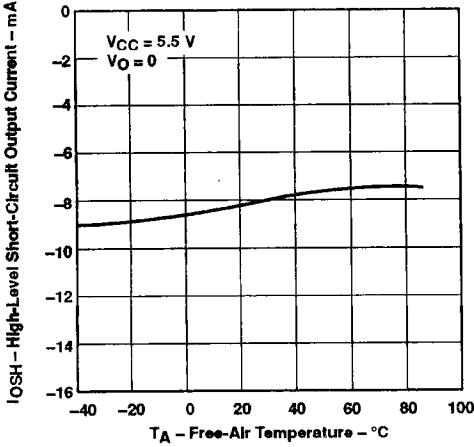


FIGURE 17

LOW-LEVEL SHORT-CIRCUIT OUTPUT CURRENT
 vs
 FREE-AIR TEMPERATURE

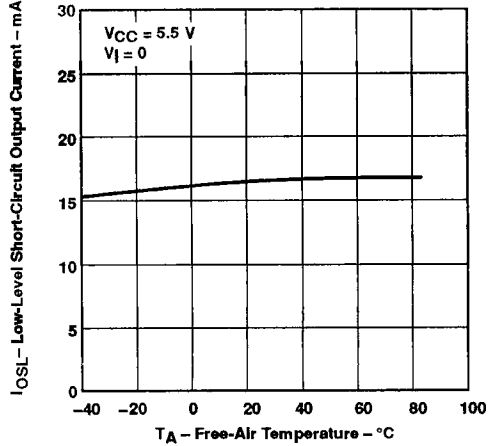


FIGURE 18

SUPPLY CURRENT
 vs
 FREE-AIR TEMPERATURE

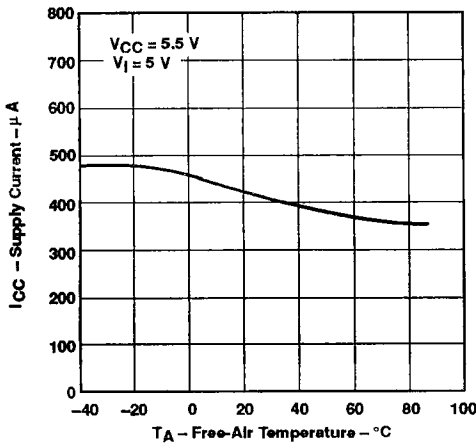


FIGURE 19

PROPAGATION DELAY TIME,
 LOW-TO-HIGH-LEVEL OUTPUT
 vs
 FREE-AIR TEMPERATURE

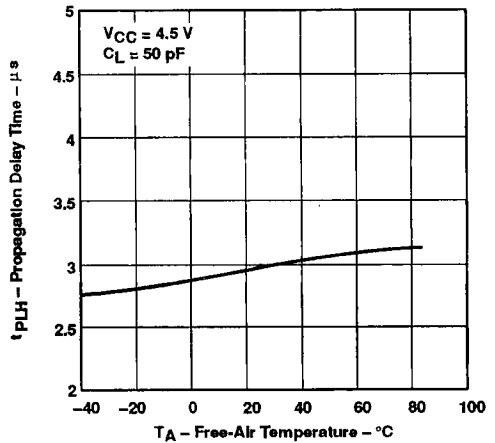


FIGURE 20

SN65C189, SN65C189A, SN75C189, SN75C189A
QUADRUPLE LOW-POWER LINE RECEIVERS

TYPICAL CHARACTERISTICS

**PROPAGATION DELAY TIME,
HIGH-TO-LOW-LEVEL OUTPUT
vs
FREE-AIR TEMPERATURE**

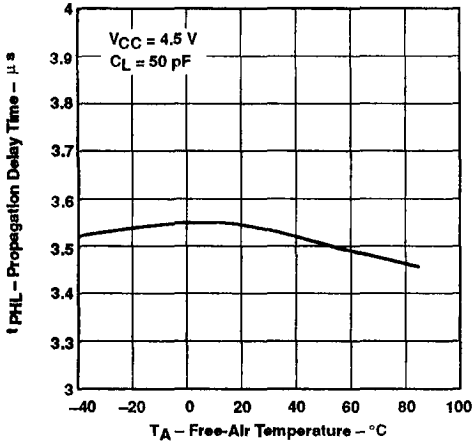


FIGURE 21

**TRANSITION TIME,
LOW-TO-HIGH-LEVEL
vs
FREE-AIR TEMPERATURE**

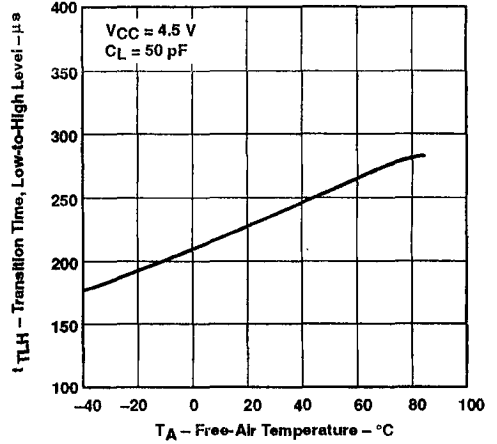


FIGURE 22

**TRANSITION TIME,
HIGH-TO-LOW-LEVEL
vs
FREE-AIR TEMPERATURE**

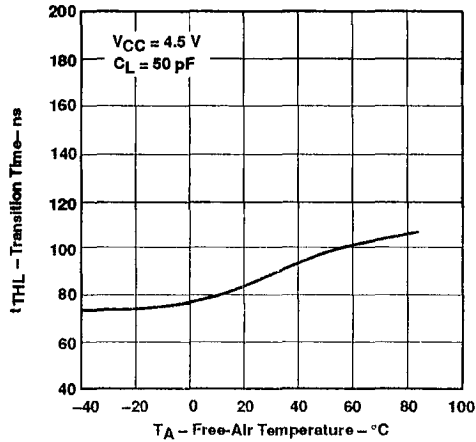


FIGURE 23

SN65C198, SN75C198 QUADRUPLE LOW-POWER LINE DRIVER

D3472, JULY 1990

- Meets EIA-232-D (Revision of RS-232-C)
- Very Low Supply Current . . . 115 μ A Typ
- Sleep Mode:
3-State Outputs in High-Impedance State
Ultra Low Supply Current . . . 17 μ A Typ
- Improved Functional Replacement for:
SN75188
Motorola MC1488
National Semiconductor DS14C88 and DS1488
- CMOS- and TTL-Compatible Data Inputs
- On-Chip Slew-Rate Limit . . . 30 V/ μ s
- Output Current Limit . . . 10 mA Typ
- Wide Supply Voltage Range . . . ± 4.5 V to ± 15 V
- ESD-Protection Exceeds 2000 V Per MIL-STD-883C, Method 3015.2

description

The SN65C198 and SN75C198 are monolithic low-power BI-MOS quadruple line drivers designed to interface data terminal equipment (DTE) with data circuit-terminating equipment (DCE) in conformance with the specifications of ANSI/EIA-232-D-1986.

The Sleep Mode input \overline{SM} can be used to switch the outputs to high impedance, which avoids the transmission of corrupted data during power up and allows significant system power savings during data-off periods.

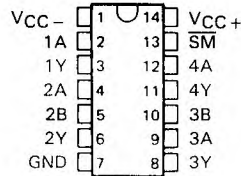
The SN65C198 is characterized for operation from -40°C to 85°C . The SN75C198 is characterized for operation from 0°C to 70°C .

FUNCTION TABLE

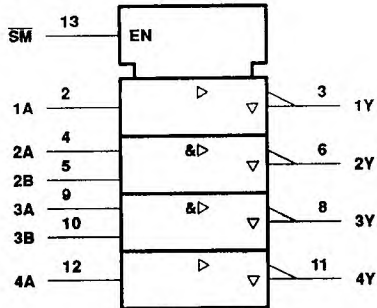
INPUTS			OUTPUT
SM	A	B	Y
H	H	H	L
H	L	X	H
H	X	L	H
L	X	X	Z

H = high level, L = low level,
X = irrelevant,
Z = high-impedance

D, DB, OR N PACKAGE
(TOP VIEW)

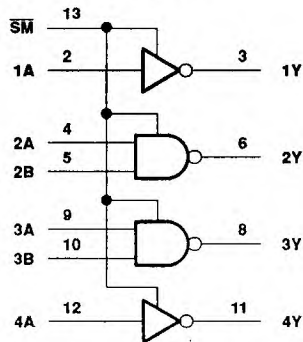


logic symbol†



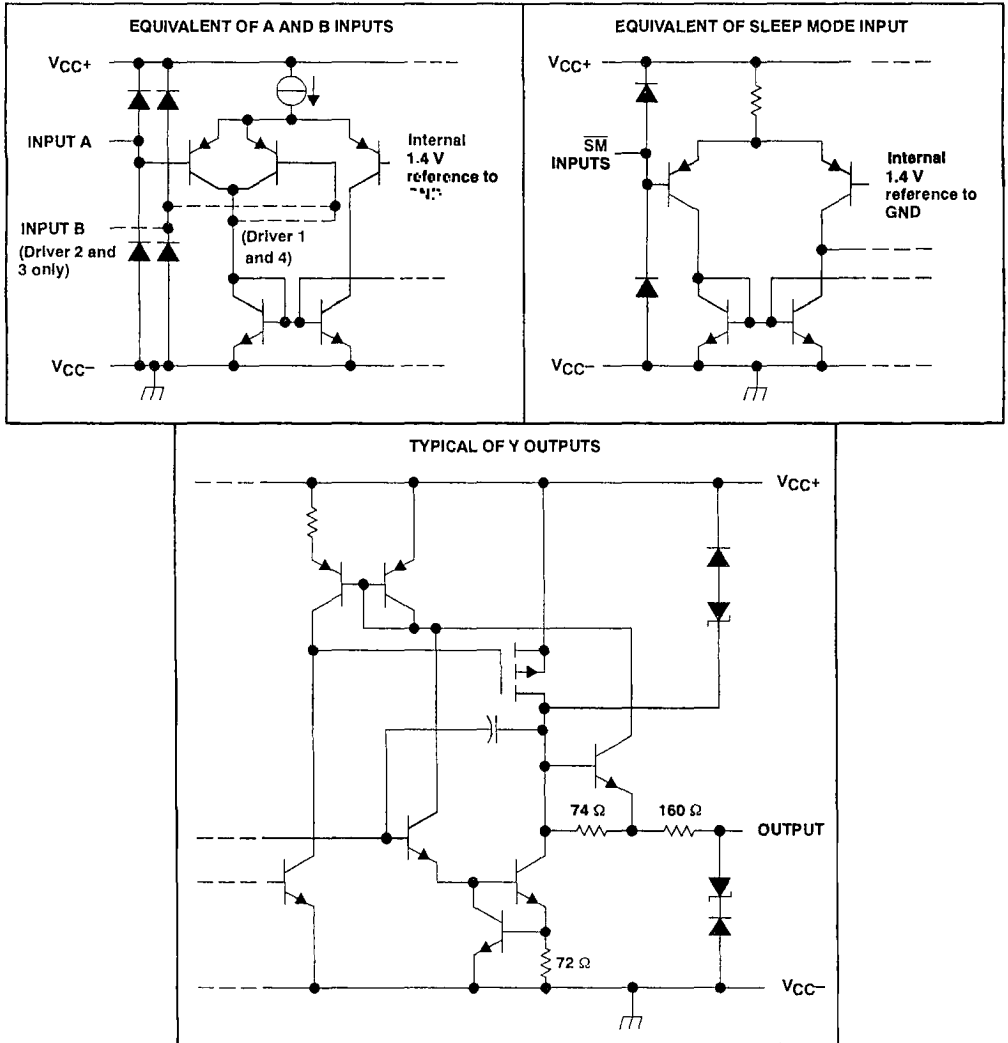
†This symbol is in accordance with ANSI/IEEE Std 91-1984 and IEC Publication 617-12.

logic diagram (positive logic)



**SN65C198, SN75C198
QUADRUPLE LOW-POWER LINE DRIVER**

schematics of inputs and outputs



All resistor values shown are nominal.

SN65C198, SN75C198 QUADRUPLE LOW-POWER LINE DRIVER

absolute maximum ratings over operating free-air temperature range (unless otherwise noted)

Supply voltage, V_{CC+} (see Note 1)	15 V
Supply voltage, V_{CC-}	-15 V
Input voltage range	-15 V to 15 V
Output voltage range	$V_{CC-} - 6 V$ to $V_{CC+} + 6 V$
Continuous total power dissipation	See Dissipation Rating Table
Operating free-air temperature range: SN65C198	-40°C to 85°C
SN75C198	0°C to 70°C
Storage temperature range	-65°C to 150°C
Lead temperature 1,6 mm (1/16 inch) from case for 10 seconds	260°C

NOTE 1: All voltages are with respect to the network ground terminal.

DISSIPATION RATING TABLE

PACKAGE	$T_A = 25^\circ\text{C}$	DERATING FACTOR	$T_A = 85^\circ\text{C}$
	POWER RATING	ABOVE $T_A = 25^\circ\text{C}$	POWER RATING
D	950 mW	7.6 mW/°C	494 mW
DB	525 mW	4.2 mW/°C	273 mW
N	1150 mW	9.2 mW/°C	598 mW

recommended operating conditions

		MIN	NOM	MAX	UNIT
Supply voltage, V_{CC+}		4.5	12	15	V
Supply voltage, V_{CC-}		-4.5	-12	-15	V
Input voltage, V_I (see Note 2)		$V_{CC-} + 2$		V_{CC+}	V
High-level input voltage, V_{IH}		2			V
Low-level input voltage, V_{IL}	A and B inputs			0.8	V
	SM input				
Operating free-air temperature, T_A	SN65C198	-40		85	°C
	SN75C198	0		70	

NOTE 2: The algebraic convention, where the more positive (less negative) limit is designated as maximum, is used in this data sheet for logic levels only, e.g., if -10 V is a maximum, the typical value is a more negative voltage.

SN65C198, SN75C198 QUADRUPLE LOW-POWER LINE DRIVER

electrical characteristics over recommended free-air temperature range, $V_{CC\pm} = \pm 12\text{ V}$, \overline{SM} at 2 V (unless otherwise noted)

PARAMETER		TEST CONDITIONS		MIN	TYP [†]	MAX	UNIT	
V _{OH}	High-level output voltage	V _{IL} = 0.8 V, R _L = 3 kΩ	V _{CC±} = ±5 V	4			V	
			V _{CC±} = ±12 V		10			
V _{OL}	Low-level output voltage (see Note 2)	V _{IH} = 2 V, R _L = 3 kΩ	V _{CC±} = ±5V			-4	V	
			V _{CC±} = ±12V			-10		
I _{IH}	High-level input current	V _I = 5 V				10	μA	
I _{IL}	Low-level input current	V _I = 0				-10	μA	
I _{OZ}	High-impedance state output current	\overline{SM} at 0.6 V	V _O = 12 V, V _{CC±} = ±12 V			100	μA	
			V _O = -12 V, V _{CC±} = ±12 V			-100		
I _{OSH}	High-level short-circuit output current [‡]	V _I = 0.8 V,	V _O = 0 or V _{CC-}	-4.5	-10	-19.5	mA	
I _{OSL}	Low-level short-circuit output current [‡]	V _I = 2 V,	V _O = 0 or V _{CC+}	4.5	10	19.5	mA	
r _o	Output resistance with power off	V _{CC±} = 0,	V _O = -2 V to 2 V				Ω	
I _{CC+}	Supply current from V _{CC+}	A and B inputs at 0.8 V or 2 V, no load	V _{CC±} = ±5 V			90	μA	
			V _{CC±} = ±12 V			95		
		A and B inputs at 0.8 V or 2 V, R _L = 3 kΩ, \overline{SM} at 0.6 V	V _{CC±} = ±5 V			17	40	μA
			V _{CC±} = ±12 V			17	40	
I _{CC-}	Supply current from V _{CC-}	A and B inputs at 0.8 V or 2 V, no load	V _{CC±} = ±5 V			-90	μA	
			V _{CC±} = ±12 V			-95		
		A and B inputs at 0.8 V or 2 V, R _L = 3 kΩ, \overline{SM} at 0.6 V	V _{CC±} = ±5 V			-17	-40	μA
			V _{CC±} = ±12 V			-17	-40	

[†]All typical values are at T_A = 25°C.

[‡]Not more than one output should be shorted at a time.

NOTE 2: The algebraic convention, where the more positive (less negative) limit is designated as maximum, is used in this data sheet for logic levels only, e.g., if -10 V is a maximum, the typical value is a more negative voltage.

switching characteristics over recommended operating free-air temperature range, $V_{CC\pm} = \pm 12\text{ V}$ (unless otherwise noted)

PARAMETER		TEST CONDITIONS		MIN	TYP [†]	MAX	UNIT
t _{PLH}	Propagation delay time, low-to-high-level output [§]	R _L = 3 kΩ to 7 kΩ, C _L = 15 pF, See Figure 1				3	μs
t _{PHL}	Propagation delay time, high-to-low-level output [§]					3.5	μs
t _{TLH}	Transition time, low-to-high-level output [¶]	See Figure 1		0.53	1	3.2	μs
t _{THL}	Transition time, high-to-low-level output [¶]				0.53	1	3.2
t _{TLH}	Transition time, low-to-high-level output [#]	R _L = 3 kΩ to 7 kΩ, C _L = 2500 pF, See Figure 2				1.5	μs
t _{THL}	Transition time, high-to-low-level output [#]					1.5	μs
t _{pZH}	Output enable time to high level	R _L = 3 kΩ to 7 kΩ, C _L = 15 pF, See Figure 3				50	μs
t _{pHZ}	Output disable time from high level					10	μs
t _{pZL}	Output enable time to low level	R _L = 3 kΩ to 7 kΩ, C _L = 15 pF, See Figure 4				15	μs
t _{pLZ}	Output disable time from low level					10	μs
SR	Output slew rate [#]	R _L = 3 kΩ to 7 kΩ, C _L = 15 pF		6	15	30	V/μs

[†]All typical values are at T_A = 25°C.

[§]t_{PHL} and t_{PLH} include the additional time due to on-chip slew rate and are measured at the 50% points.

[¶]Measured between 10% and 90% points of output waveform.

[#]Measured between 3-V and -3-V points of output waveform.

PARAMETER MEASUREMENT INFORMATION

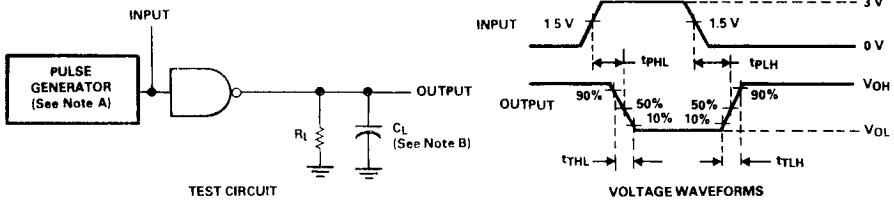


FIGURE 1. PROPAGATION AND TRANSITION TIMES

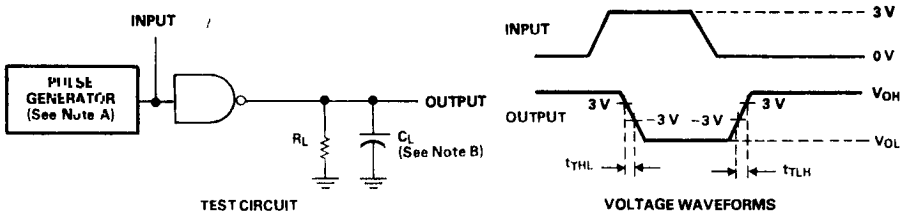


FIGURE 2. PROPAGATION AND TRANSITION TIMES

NOTE: A. The pulse generator has the following characteristics: $t_w = 25 \mu s$, $PRR = 20 \text{ kHz}$, $Z_o = 50 \Omega$, $t_r = t_f \leq 50 \text{ ns}$.
 B. C_L includes probe and jig capacitance.

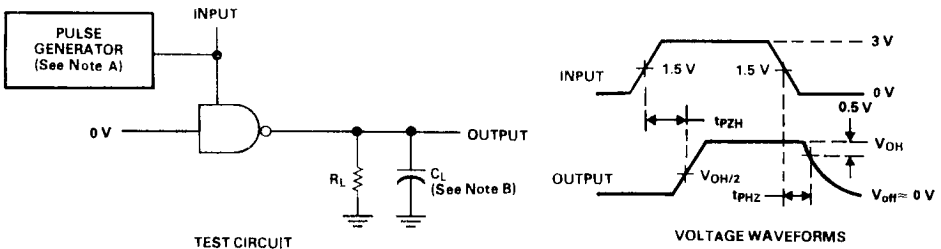


FIGURE 3. DRIVER ENABLE AND DISABLE TIMES

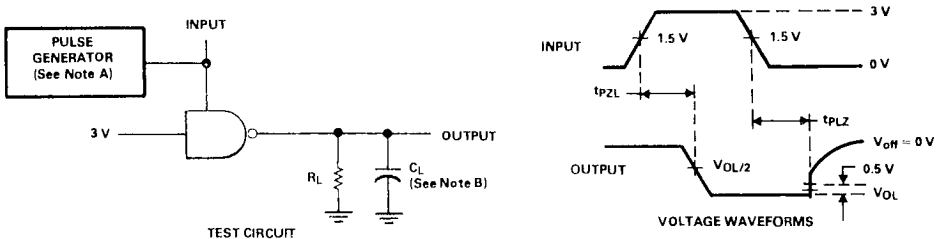


FIGURE 4. DRIVER ENABLE AND DISABLE TIMES

NOTE: A. The pulse generator has the following characteristics: $t_w = 25 \mu s$, $PRR = 20 \text{ kHz}$, $Z_o = 50 \Omega$, $t_r = t_f \leq 50 \text{ ns}$.
 B. C_L includes probe and jig capacitance.

TYPICAL CHARACTERISTICS

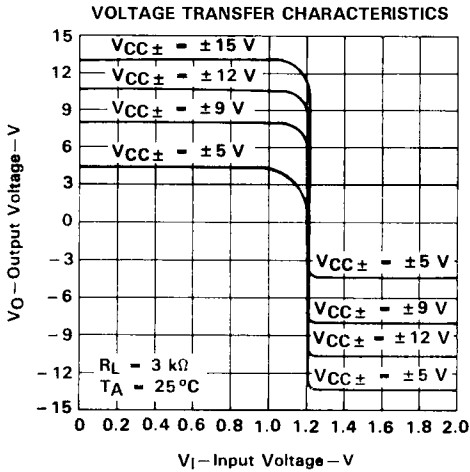


FIGURE 2

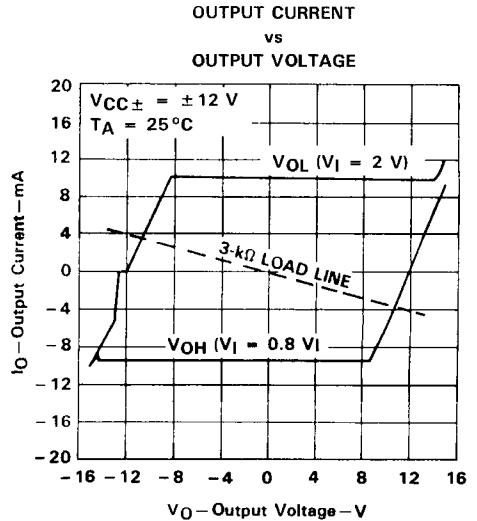


FIGURE 3

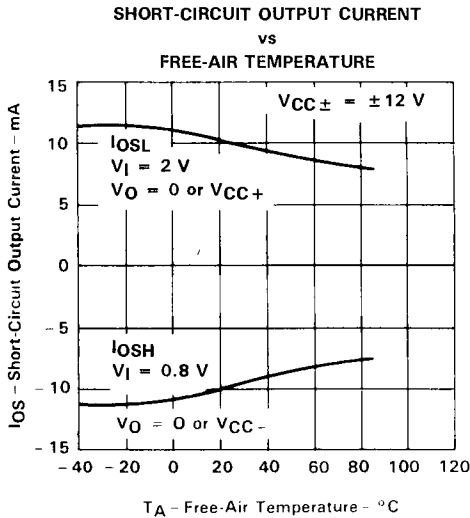


FIGURE 4

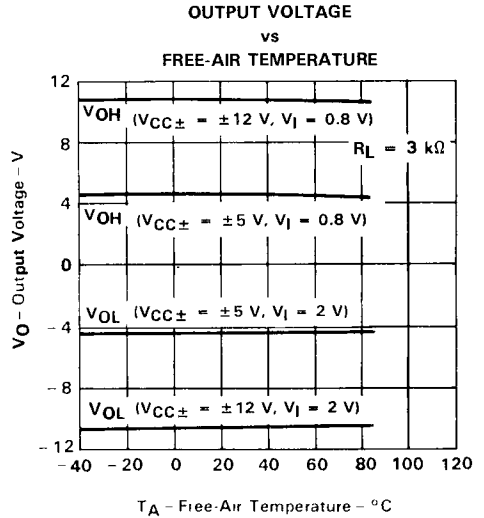


FIGURE 5

TYPICAL CHARACTERISTICS

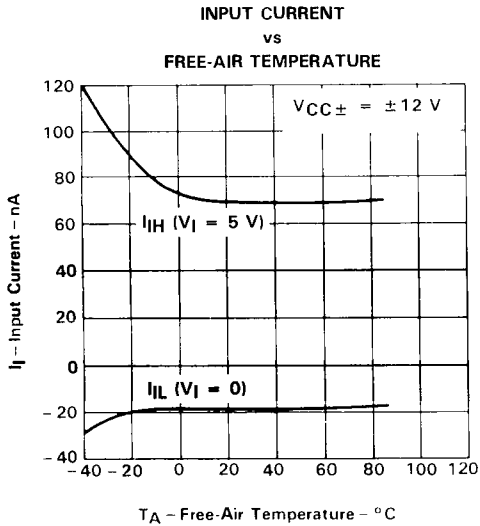


FIGURE 6

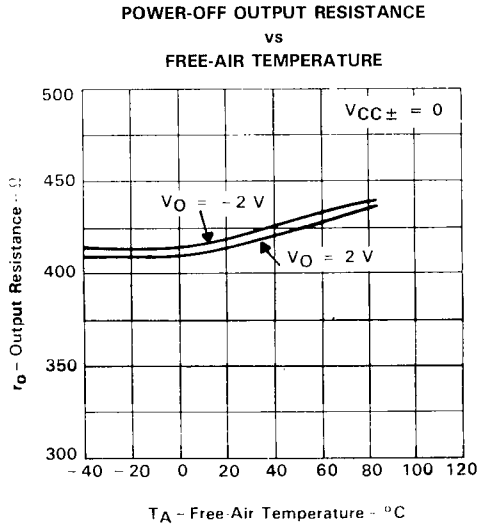


FIGURE 7

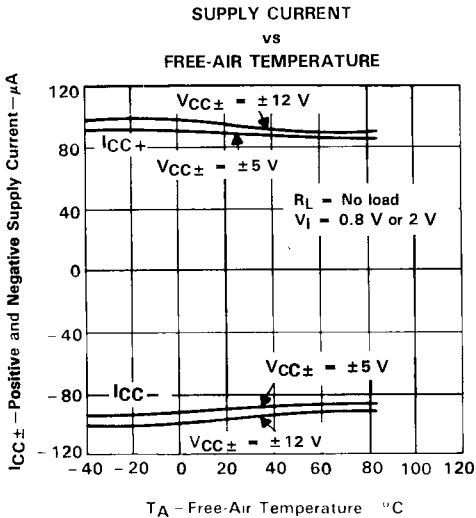


FIGURE 8

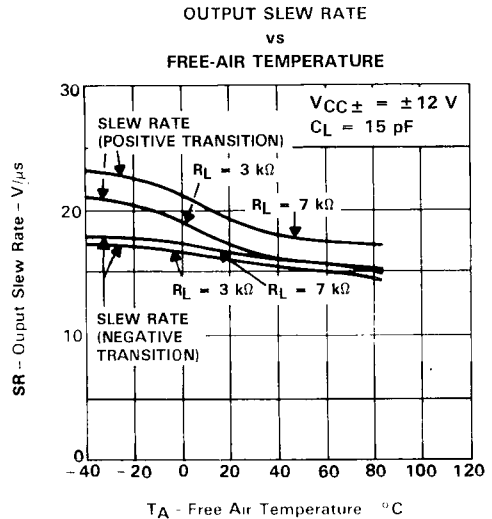


FIGURE 9

SN65C198, SN75C198
QUADRUPLE LOW-POWER LINE DRIVER

TYPICAL CHARACTERISTICS

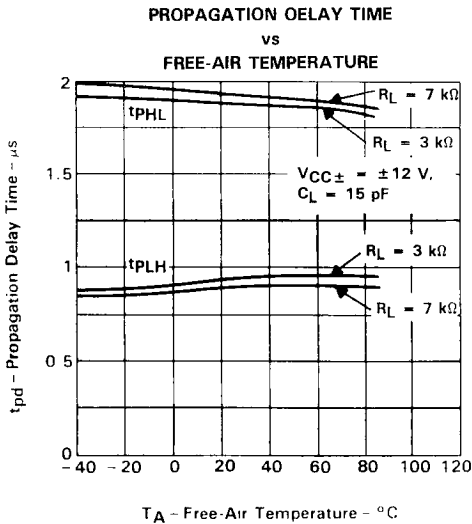


FIGURE 10

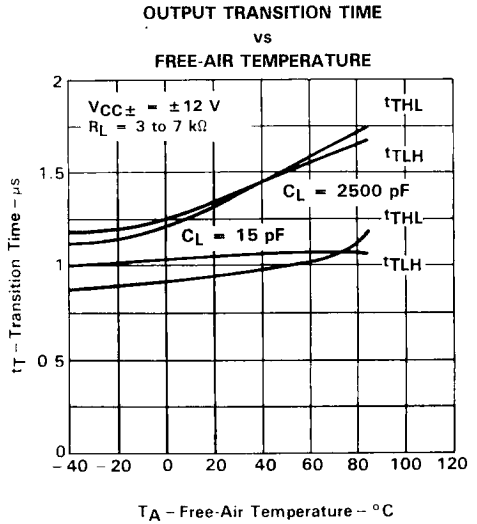


FIGURE 11

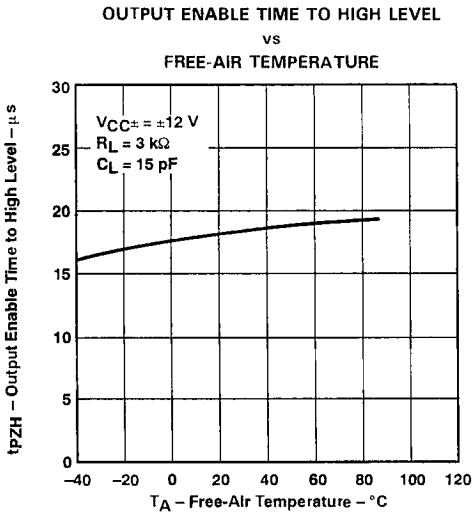


FIGURE 12

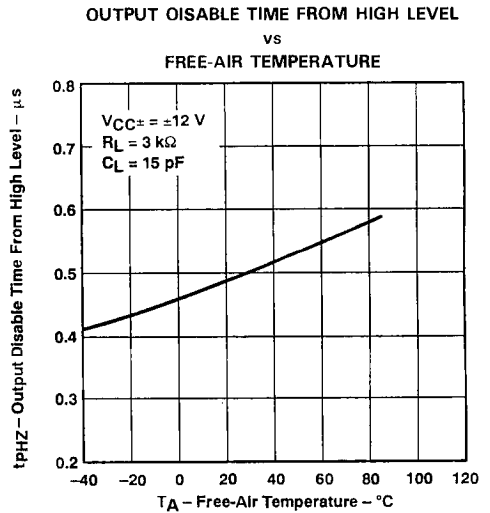


FIGURE 13

TYPICAL CHARACTERISTICS

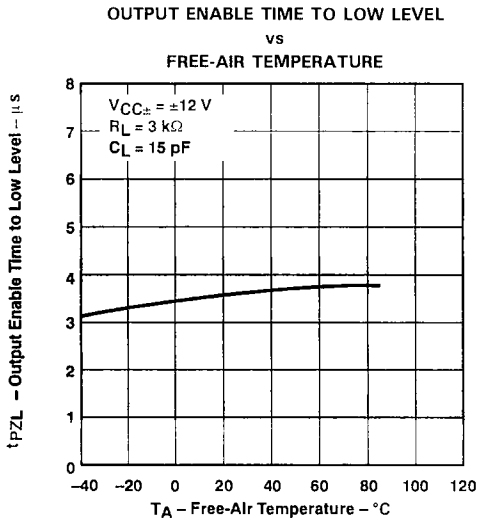


FIGURE 14

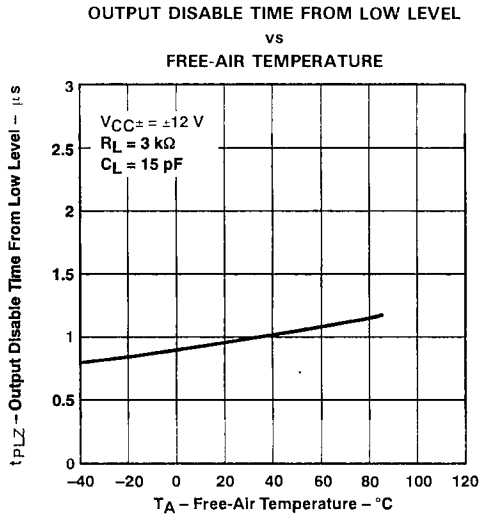


FIGURE 15



SN95176B DIFFERENTIAL BUS TRANSCEIVER

D3272, MARCH 1989

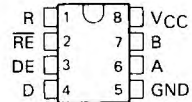
- Bidirectional Transceiver
- Suitable for Most EIA Standards RS-422-A and RS-485 Applications
- Designed for Multipoint Transmission on Long Bus Lines in Noisy Environments
- 3-State Driver and Receiver Outputs
- Individual Driver and Receiver Enables
- Wide Positive and Negative Input/Output Bus Voltage Ranges
- Driver Output Capability . . . ± 60 mA Max
- Thermal Shutdown Protection
- Driver Positive and Negative Current Limiting
- Receiver Input Sensitivity . . . ± 200 mV
- Receiver Input Hysteresis . . . 50 mV Typ
- Operates from Single 5-V Supply
- Low Power Requirements

description

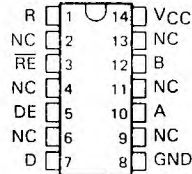
The SN95176B differential bus transceiver is a monolithic integrated circuit designed for bidirectional data communication on multipoint bus transmission lines. These transceivers are suitable for most RS-422-A and RS-485 applications to the extent of the specified data sheet characteristics and operating conditions.

The SN95176B combines a 3-state differential line driver and a differential input line receiver both of which operate from a single 5-V power supply. The driver and receiver have active-high and active-low enables, respectively, that can be externally connected together to function as a direction control. The driver differential outputs and the receiver differential inputs are connected internally to form differential input/output (I/O) bus ports that are designed to offer minimum loading to the bus whenever the driver is disabled or $V_{CC} = 0$. These ports feature wide positive and negative common-mode voltage ranges making the device suitable for party-line applications.

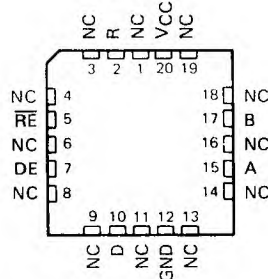
JG PACKAGE
(TOP VIEW)



W PACKAGE
(TOP VIEW)



FK PACKAGE
(TOP VIEW)



NC—No internal connection

FUNCTION TABLE (DRIVER)

INPUT D	ENABLE DE	OUTPUTS	
		A	B
H	H	H	L
L	H	L	H
X	L	Z	Z

FUNCTION TABLE (RECEIVER)

DIFFERENTIAL INPUTS A - B	ENABLE RE	OUTPUT R
$V_{ID} \geq 0.2$ V	L	H
-0.2 V $< V_{ID} < 0.2$ V	L	?
$V_{ID} \leq -0.2$ V	L	L
X	H	Z

H = high level, L = low level, ? = indeterminate,
X = irrelevant, Z = high impedance (off)

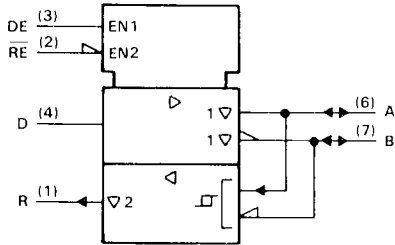
SN95176B DIFFERENTIAL BUS TRANSCEIVER

description (continued)

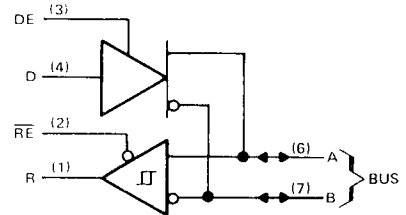
The driver is designed to handle loads up to 60 mA of sink or source current. The driver features positive- and negative-current limiting and thermal shutdown for protection from line fault conditions. Thermal shutdown is designed to occur at a junction temperature of approximately 150°C. The receiver features a minimum input impedance of 12 kΩ, an input sensitivity of ±200 mV, and a typical input hysteresis of 50 mV.

The SN95176B is characterized for operation from -40°C to 110°C.

logic symbol†



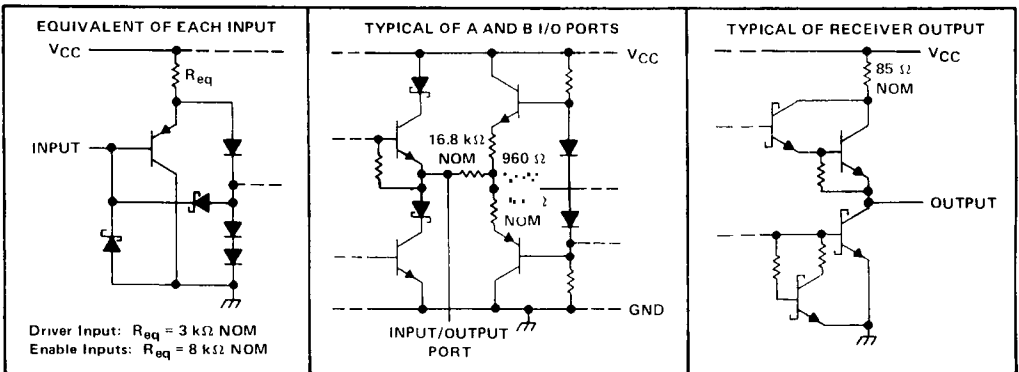
logic diagram (positive logic)



†This symbol is in accordance with ANSI/IEEE Std 91-1984 and IEC Publication 617-12.

Pin numbers shown are for the JG package

schematics of inputs and outputs



SN95176B DIFFERENTIAL BUS TRANSCEIVER

absolute maximum ratings over operating free-air temperature range (unless otherwise noted)

Supply voltage, V_{CC} (see Note 1)	7 V
Voltage at any bus terminal	-10 V to 15 V
Enable input voltage	5.5 V
Continuous total dissipation	See Dissipation Rating Table
Operating free-air temperature range	-40°C to 110°C
Storage temperature range	-65°C to 150°C
Case temperature for 60 seconds: FK package	260°C
Lead temperature 1,6 mm (1/16 inch) from the case for 60 seconds: JG or W package	300°C

NOTE 1: All voltage values, except differential input/output bus voltage, are with respect to network ground terminal.

DISSIPATION RATING TABLE

PACKAGE	$T_A = 25^\circ\text{C}$	DERATING FACTOR	$T_A = 70^\circ\text{C}$	$T_A = 85^\circ\text{C}$	$T_A = 110^\circ\text{C}$
	POWER RATING	ABOVE $T_A = 25^\circ\text{C}$	POWER RATING	POWER RATING	POWER RATING
FK	1375 mW	11.0 mW/°C	880 mW	700 mW	440 mW
JG	1050 mW	8.4 mW/°C	672 mW	546 mW	336 mW
W	1000 mW	8.0 mW/°C	640 mW	520 mW	320 mW

recommended operating conditions

		MIN	TYP	MAX	UNIT
Supply voltage, V_{CC}		4.75	5	5.25	V
Voltage at any bus terminal (separately or common mode), V_I or V_{IC}		12			V
		-7			
High-level input voltage, V_{IH}	D, DE, and RE	2			V
Low-level input voltage, V_{IL}	D, DE, and RE	0.8			V
Differential input voltage, V_{ID} (see Note 2)		±12			V
High-level output current, I_{OH}	Driver	-60			mA
	Receiver	-400			µA
Low-level output current, I_{OL}	Driver	60			mA
	Receiver	8			mA
Operating free-air temperature, T_A		-40		110	°C

NOTE 2: Differential-input/output bus voltage is measured at the noninverting terminal A with respect to the inverting terminal B.

SN95176B

DIFFERENTIAL BUS TRANSCEIVER

DRIVER SECTION

driver electrical characteristics over recommended ranges of supply voltage and operating free-air temperature (unless otherwise noted)

PARAMETER	TEST CONDITIONS†	MIN	TYP‡	MAX	UNIT	
V _{IK}	Input clamp voltage	I _I = -18 mA		-1.5	V	
V _O	Output voltage	I _O = 0		0	6	V
V _{OD1}	Differential output voltage	I _O = 0		1.5	6	V
V _{OD2}	Differential output voltage	R _L = 100 Ω,	See Figure 1	2		V
		R _L = 54 Ω,	See Figure 1	1.5	2.5	5
V _{OD3}	Differential output voltage	See Note 3		4		V
Δ V _{OD}	Change in magnitude of differential output voltage§	R _L = 54 Ω, See Figure 1		±0.2		V
V _{OCC}	Common-mode output voltage			3		V
Δ V _{OCC}	Change in magnitude of common-mode output voltage§			±0.2		V
I _O	Output current	Outputs disabled, See Note 4	V _O = 12 V	1		mA
			V _O = -7 V	-0.8		
I _{IH}	High-level input current	V _I = 2.4 V		20		μA
I _{IL}	Low-level input current	V _I = 0.4 V		-400		μA
I _{OS}	Short-circuit output current	V _O = -7 V		-		mA
		V _O = 0		-		
		V _O = V _{CC}		250		
		V _O = 12 V		-		
I _{CC}	Supply current (total package)	No load	Outputs enabled	42	70	mA
			Outputs disabled	26	35	

† The power-off measurement in EIA Standard RS-422-A applies to disabled outputs only and is not applied to combined inputs and outputs.

‡ All typical values are at V_{CC} = 5 V and T_A = 25°C.

§ Δ|V_{OD}| and Δ|V_{OCC}| are the changes in magnitude of V_{OD} and V_{OCC} respectively, that occur when the input is changed from a high level to a low level.

NOTES: 3. See EIA Standard RS-485 Figure 3.5, Test Termination Measurement 2.

4. This applies for both power on and off; refer to EIA Standard RS-485 for exact conditions. The RS-422-A limit does not apply for a combined driver and receiver terminal.

driver switching characteristics, V_{CC} = 5 V, T_A = 25°C

PARAMETER	TEST CONDITIONS	MIN	TYP	MAX	UNIT	
t _{DD}	Differential-output delay time	R _L = 54 Ω, See Figure 3		15	22	ns
t _{TD}	Differential-output transition time			20	30	ns
t _{PZH}	Output enable time to high level	R _L = 110 Ω,	See Figure 4	85	120	ns
t _{PZL}	Output enable time to low level	R _L = 110 Ω,	See Figure 5	40	60	ns
t _{PHZ}	Output disable time from high level	R _L = 110 Ω,	See Figure 4	250		ns
t _{PLZ}	Output disable time from low level	R _L = 110 Ω,	See Figure 5	20	30	ns

SYMBOL EQUIVALENTS

DATA SHEET PARAMETER	RS-422-A	RS-485
V_O	V_{Oa}, V_{Ob}	V_{Oa}, V_{Ob}
$ V_{OD1} $	V_o	V_o
$ V_{OD2} $	$V_t (R_L = 100 \Omega)$	$V_t (R_L = 54 \Omega)$
$ V_{OD3} $		V_t (Test Termination Measurement 2)
$\Delta V_{OD} $	$ V_t - \bar{V}_t $	$ V_t - \bar{V}_t $
V_{OC}	$ V_{os} $	$ V_{os} $
$\Delta V_{OC} $	$ V_{os} - \bar{V}_{os} $	$ V_{os} - \bar{V}_{os} $
I_{OS}	$ I_{sa} , I_{sb} $	
I_O	$ I_{xa} , I_{xb} $	I_a, I_b

RECEIVER SECTION

receiver electrical characteristics over recommended ranges of common-mode input voltage, supply voltage, and operating free-air temperature (unless otherwise noted)

PARAMETER	TEST CONDITIONS	MIN	TYP [†]	MAX	UNIT	
V_{TH} Differential-input high-threshold voltage	$V_O = 2.7$ V, $I_O = -0.4$ mA			0.2	V	
V_{TL} Differential-input low-threshold voltage	$V_O = 0.5$ V, $I_O = 8$ mA	-0.2 [‡]			V	
V_{hys} Hysteresis [§]			50		mV	
V_{IK} Enable-input clamp voltage	$I_I = -18$ mA			-1.5	V	
V_{OH} High-level output voltage	$V_{ID} = -200$ mV, See Figure 2, $I_{OH} = -400$ μ A,	2.7			V	
V_{OL} Low-level output voltage	$V_{ID} = -200$ mV, See Figure 2, $I_{OL} = 8$ mA,			0.45	V	
I_{OZ} High-impedance-state output current	$V_O = 0.4$ V to 2.4 V			± 20	μ A	
I_I Line input current	Other input = 0 V, See Note 5, $V_I = 12$ V, $V_I = -7$ V			1 -0.8	mA	
I_{IH} High-level enable-input current	$V_{IH} = 2.7$ V			20	μ A	
I_{IL} Low-level enable-input current	$V_{IL} = 0.4$ V			-100	μ A	
r_I Input resistance	$V_I = 12$ V		12		k Ω	
I_{OS} Short-circuit output current		-15		-85	mA	
I_{CC} Supply current (total package)	No load			42 26	70 35	mA

[†]All typical values are at $V_{CC} = 5$ V, $T_A = 25^\circ$ C.

[‡]The algebraic convention, in which the less-positive (more-negative) limit is designated minimum, is used in this data sheet for common-mode input voltage and threshold voltage levels only.

[§]Hysteresis is the difference between the positive-going input threshold voltage, V_{T+} , and the negative-going input threshold voltage, V_{T-} . See Figure 4.

NOTE 5: This applies for both power on and power off. Refer to EIA Standard RS-485 for exact conditions.

receiver switching characteristics, $V_{CC} = 5$ V, $T_A = 25^\circ$ C

PARAMETER	TEST CONDITIONS	MIN	TYP	MAX	UNIT
t_{PLH} Propagation delay time, low-to-high-level output	$V_{ID} = 0$ to 3 V,		21	35	ns
t_{PHL} Propagation delay time, high-to-low-level output	$C_L = 15$ pF, See Figure 6		23	35	ns
t_{PZH} Output enable time to high level	$C_L = 15$ pF, See Figure 7		10	20	ns
t_{PZL} Output enable time to low level			12	20	ns
t_{PHZ} Output disable time from high level	$C_L = 15$ pF, See Figure 7		20	35	ns
t_{PLZ} Output disable time from low level			17	25	ns

SN95176B
DIFFERENTIAL BUS TRANSCEIVER

PARAMETER MEASUREMENT INFORMATION

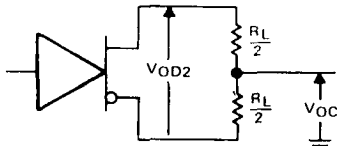


FIGURE 1. DRIVER V_{OD} AND V_{OC}

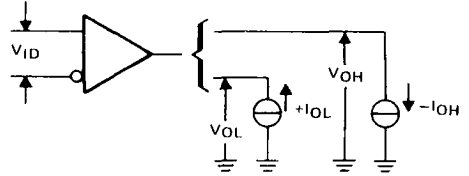
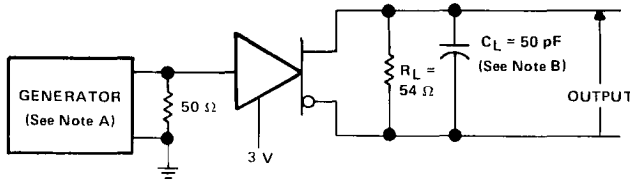
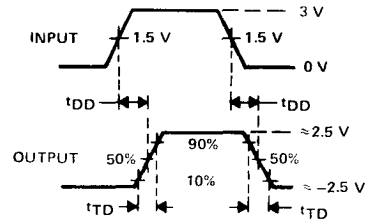


FIGURE 2. RECEIVER V_{OH} AND V_{OL}

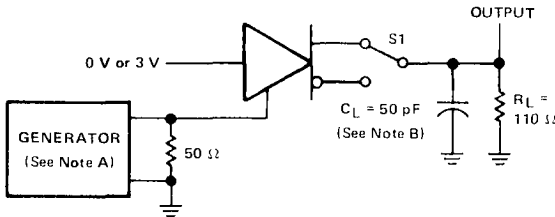


TEST CIRCUIT

FIGURE 3. DRIVER DIFFERENTIAL-OUTPUT DELAY AND TRANSITION TIMES

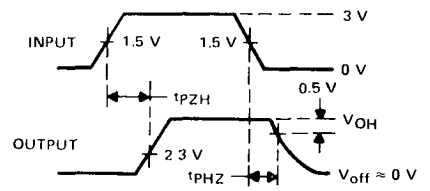


VOLTAGE WAVEFORMS

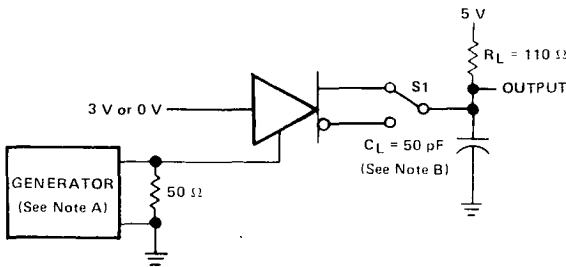


TEST CIRCUIT

FIGURE 4. DRIVER ENABLE AND DISABLE TIMES

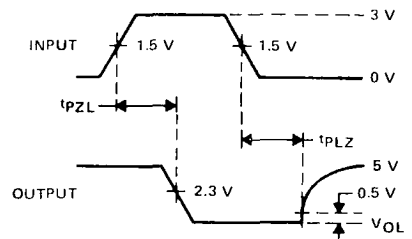


VOLTAGE WAVEFORMS



TEST CIRCUIT

FIGURE 5. DRIVER ENABLE AND DISABLE TIMES



VOLTAGE WAVEFORMS

- NOTES:** A. The input pulse is supplied by a generator having the following characteristics: $PRR \leq 1$ MHz, 50% duty cycle, $t_r \leq 6$ ns, $t_f \leq 5$ ns, $Z_0 = 50 \Omega$.
 B. C_L includes probe and jig capacitance.
 C. Equivalent test circuits may be substituted for actual testing.

PARAMETER MEASUREMENT INFORMATION

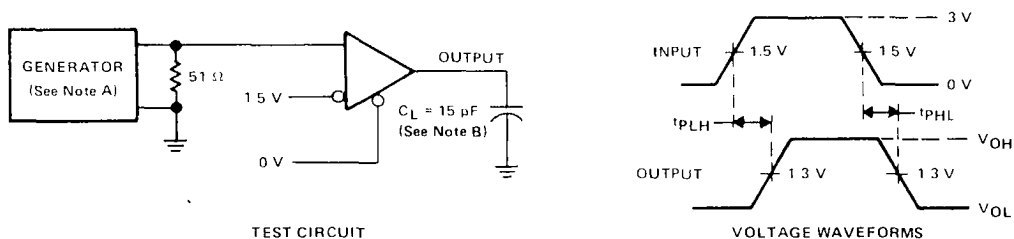


FIGURE 6. RECEIVER PROPAGATION DELAY TIMES

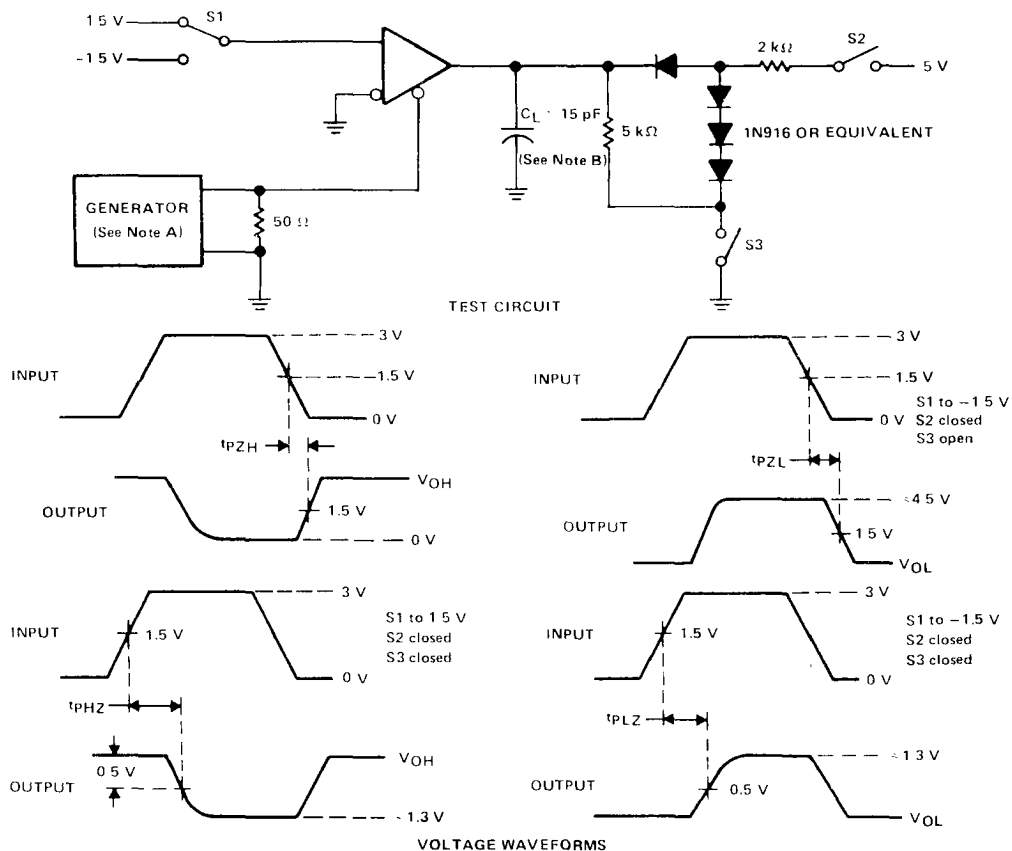


FIGURE 7. RECEIVER OUTPUT ENABLE AND DISABLE TIMES

- NOTES: A. The input pulse is supplied by a generator having the following characteristics: PRR \leq MHz, 50% duty cycle, $t_r \leq 6$ ns, $t_f \leq 5$ ns, $Z_0 = 50 \Omega$.
 B. C_L includes probe and jig capacitance.
 C. Equivalent test circuits may be substituted for actual testing.

TYPICAL CHARACTERISTICS

DRIVER HIGH-LEVEL OUTPUT VOLTAGE
vs
DRIVER HIGH-LEVEL OUTPUT CURRENT

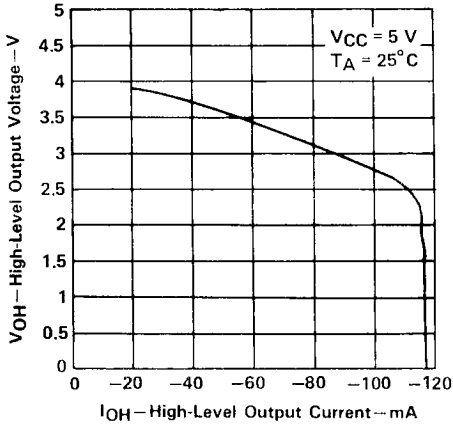


FIGURE 8

DRIVER LOW-LEVEL OUTPUT VOLTAGE
vs
DRIVER LOW-LEVEL OUTPUT CURRENT

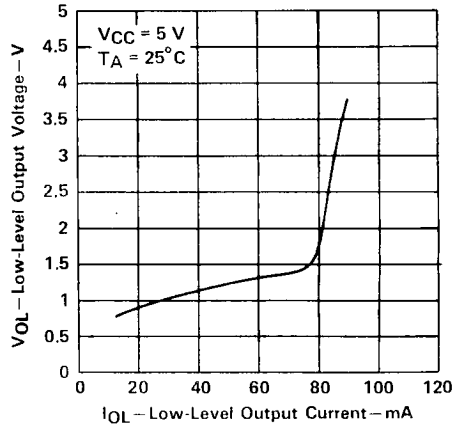


FIGURE 9

DRIVER DIFFERENTIAL OUTPUT VOLTAGE
vs
DRIVER OUTPUT CURRENT

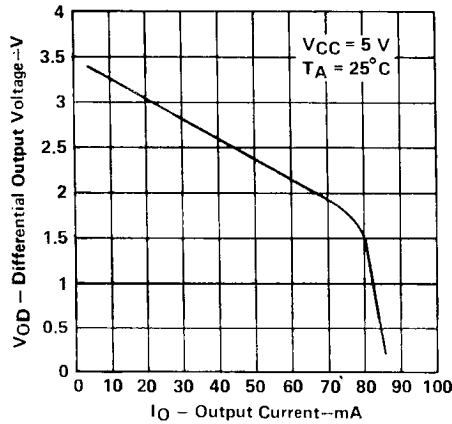


FIGURE 10

TYPICAL CHARACTERISTICS

RECEIVER HIGH-LEVEL OUTPUT VOLTAGE
vs
HIGH-LEVEL OUTPUT CURRENT

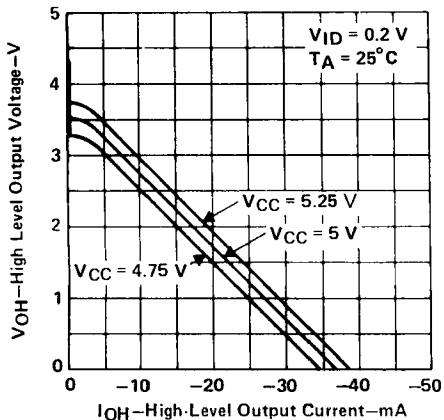


FIGURE 11

RECEIVER HIGH-LEVEL OUTPUT
vs
FREE-AIR TEMPERATURE

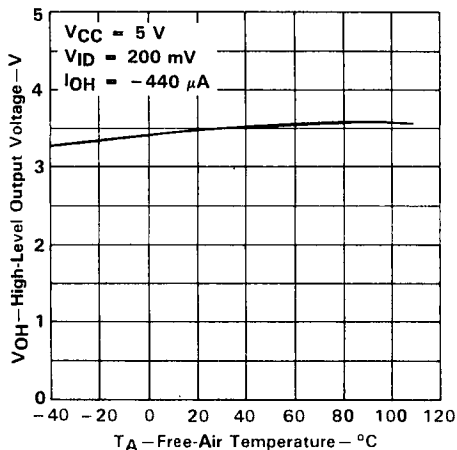


FIGURE 12

RECEIVER LOW-LEVEL OUTPUT VOLTAGE
vs
RECEIVER LOW-LEVEL OUTPUT CURRENT

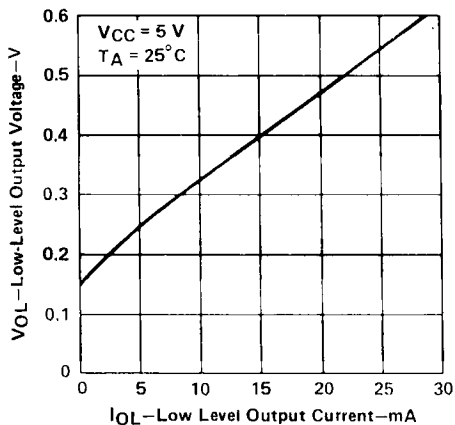


FIGURE 13

RECEIVER LOW-LEVEL OUTPUT VOLTAGE
vs
FREE-AIR TEMPERATURE

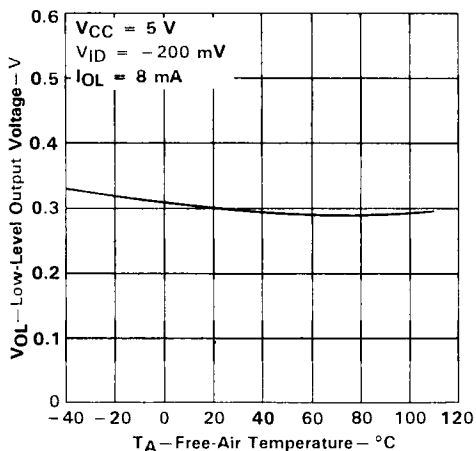


FIGURE 14

**SN95176B
DIFFERENTIAL BUS TRANSCEIVER**

TYPICAL CHARACTERISTICS

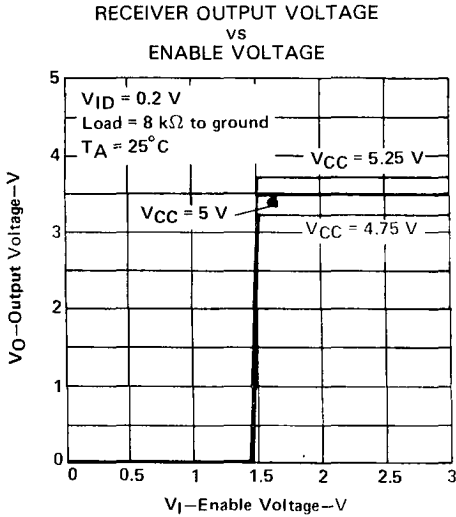


FIGURE 15

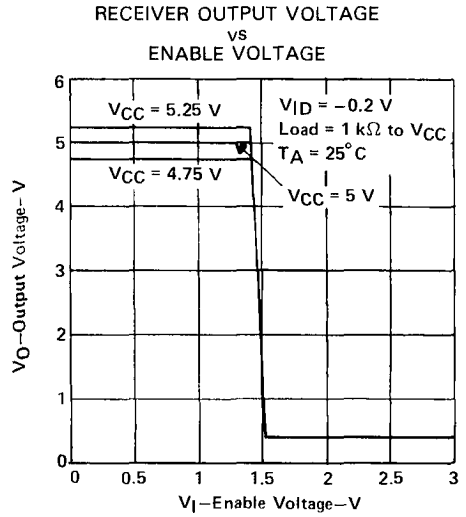
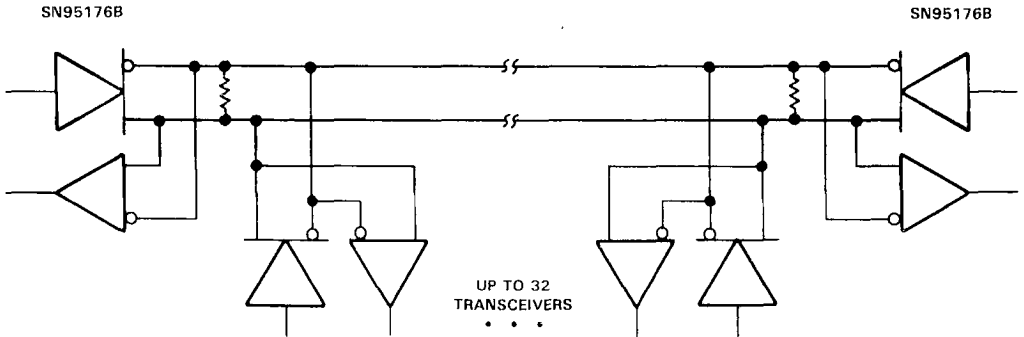


FIGURE 16

APPLICATION INFORMATION



NOTE: The line should be terminated at both ends in its characteristic impedance. Stub lengths off the main line should be kept as short as possible.

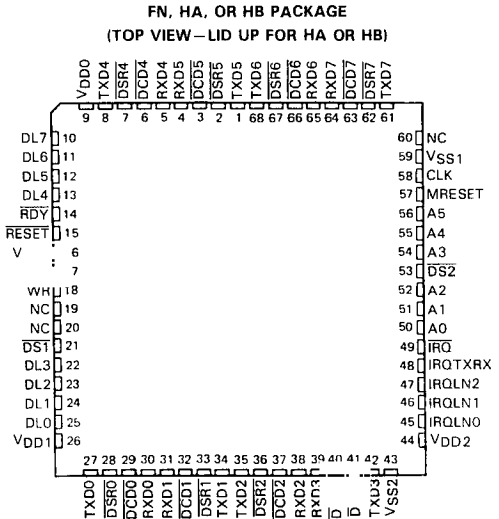
FIGURE 17. TYPICAL APPLICATION CIRCUIT

TCM78808

OCTAL ASYNCHRONOUS RECEIVER/TRANSMITTER

D2941, APRIL 1986—REVISED JULY 1990

- Eight Independent Full-Duplex Serial Data Lines
- Programmable Baud Rates Individually Selectable for the Transmitter/Receiver of Each Line (50 to 19,200 Baud)
- Summary Registers Allow a Single Read to Detect a Data Set Change or to Determine the Cause of an Interrupt on Any Line
- Triple Buffers for Each Receiver
- Device Scanner Mechanism Reports Interrupt Requests Due to Transmitter/Receiver Interrupts
- Independently Programmable Lines for Interrupt-Driven Operation
- Modem Status Change Detection for Data Set Ready (DSR) and Data Carrier Detect (DCD) Signals
- Programmable Interrupts for Modem Status Changes
- Synchronizes Critical Read-Only Registers
- Replaces Eight Signetics 2661 UARTs
- Direct Second Source to DEC DC349 (78808)



NC—No internal connection

PACKAGE DESIGNATIONS

DESCRIPTION	TI	DEC
Cerquad Gull-Wing	HA	GA
Cerquad Straight	HB	FA
Plastic PLCC	FN	

description

The TCM78808 octal asynchronous receiver/transmitter is designed for the new generations of asynchronous serial communications and for microcomputer systems. The device performs the basic operations necessary for simultaneous reception and transmission of asynchronous messages on eight independent lines.

On-chip baud rate generation allows the designer to select and program any one of 16 rates between 50 and 19,200 baud. Baud rates are selectable for each receiver and transmitter. A built-in scanning mechanism provides an alternative to the customary polling of status registers.

The TCM78808 functions as a serial-to-parallel, parallel-to-serial converter/controller. It can be programmed by a microprocessor to provide different characteristics for each of its eight serial data lines (stop bits, parity, character length, baud rates, etc.). Each individual serial line functions as a one-line UART-type device.

An integral interrupt scanner checks for device interrupt conditions on the eight lines of the TCM78808. Its scanning algorithm is designed to give priority to receivers over transmitters. The scanner can also be programmed to check for interrupts due to changes in modem control signals (DSR and DCD).

The TCM78808 contains two types of programmable registers: line specific and summary. The six line-specific registers provide independent control of each of the eight serial lines. Two summary registers consolidate information about the current state of all eight lines and allow programs to service device interrupts quickly and efficiently.

TCM78808

OCTAL ASYNCHRONOUS RECEIVER/TRANSMITTER

Each of the eight serial data lines in the TCM78808 has a set of line-specific registers for buffering data into and out of the line and for external control of line characteristics. The receiver buffer register comprises a character assembly register plus a two-entry, first-in first-out (FIFO) buffer. The transmitter holding register provides similar functions on the output side. Information about the current state of the given line is contained in the (read-only) status register. Two mode registers control communications parameters. One mode register handles stop bits, parity, character length, and modem control interrupt enable (MCIE). The second mode register sets the incoming and outgoing baud rates. The command register controls various other functions of the given line.

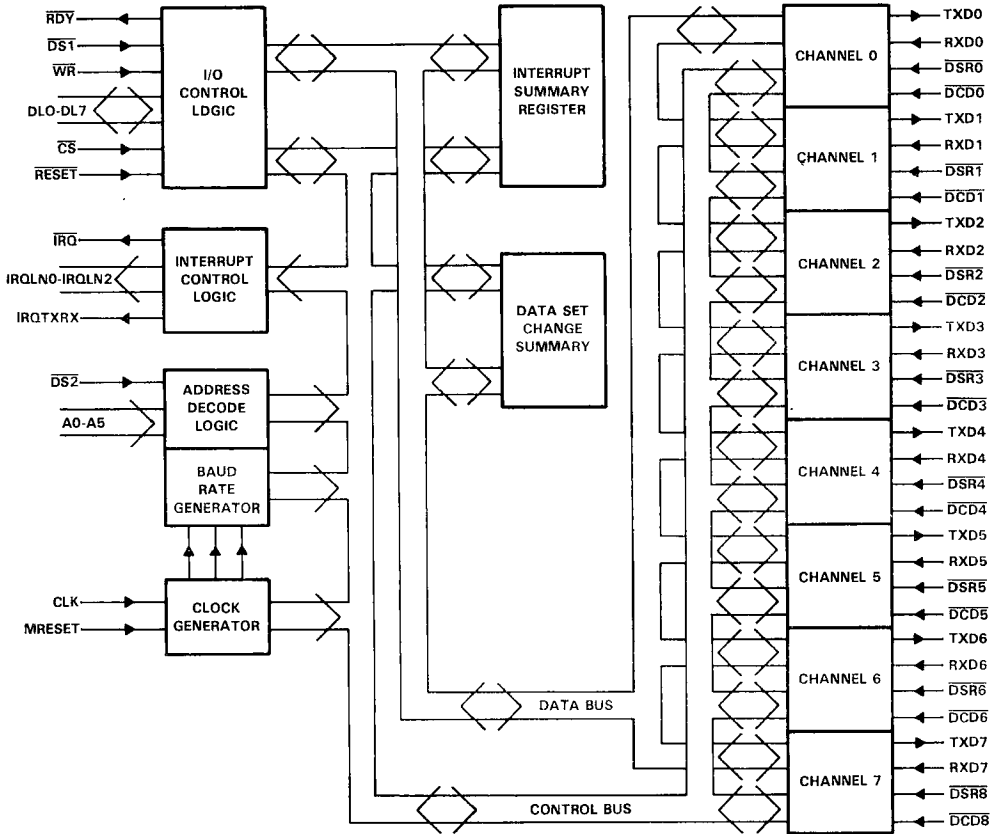
The TCM78808 has a pair of summary registers that provide the current status of all eight serial data lines. This makes it possible to determine that line status has changed with a single read operation. The (read-only) interrupt summary register indicates that an interrupt has occurred and contains both the line number that generated the interrupt and the corresponding direction of flow (transmitter or receiver). With both MCIEs set and receiver interrupt enabled, the interrupt summary register will respond to changes in DSR or DCD. The data-set-change summary register monitors changes in DSR or DCD on a line-by-line basis and indicates whether a modem status change has occurred on each data line subsequent to the last time the corresponding bit was cleared.

The TCM78808 is characterized for operation from 0°C to 70°C.

SIGNAL	DESCRIPTION
AO THRU A5	Address bits 0 through 5 select the internal registers in the TCM78808.
CLK	Clock input for timing
\overline{CS}	Chip Select. When low, activates the TCM78808 to receive and transmit data over data lines DL0 through DL7.
\overline{DCD} THRU $\overline{DCD7}$	Data-Set Carrier Detect inputs monitor data-set carrier detect signals from modems.
DL0 THRU DL7	Data Lines 0 through 7 receive and transmit the parallel data.
$\overline{DS1}$, $\overline{DS2}$	Data Strobes 1 and 2 receive timing information for data transfers. The $\overline{DS1}$ and $\overline{DS2}$ inputs must be connected together.
\overline{DSRC} THRU $\overline{DSR7}$	Data Set Ready inputs monitor data-set-ready signals from modems.
\overline{IRQ}	Interrupt Request output requests a processor interrupt.
IRQL0 THRU IRQLN2	Interrupt Request Line number outputs indicate the line number of the originating interrupt request.
\overline{IRX}	Interrupt Request Transmit/Receive output indicates whether an interrupt request is for transmitting or receiving data.
\overline{MRES}	Manufacturing Reset. For manufacturing use
\overline{RDY}	Ready output indicates when the TCM78808 is ready to participate in data-transfer cycles.
\overline{RES}	Reset input initializes the internal logic.
RXD0 THRU RXD7	Receive Data inputs accept asynchronous bit-serial data input streams.
TXD0 THRU TXD7	Transmit Data output provides asynchronous bit-serial data output streams.
VDD0 THRU VDD2	5-V nominal power supply
VSS0 THRU VSS2	Ground reference
WR	Write input specifies direction of data transfer on the DL0 through DL7 lines.

TCM78808 OCTAL ASYNCHRONOUS RECEIVER/TRANSMITTER

functional block diagram



TCM78808

OCTAL ASYNCHRONOUS RECEIVER/TRANSMITTER

absolute maximum ratings over operating free-air temperature range

Supply voltage, V_{DD} (see Note 1)	7 V
Input voltage, V_I	-5 V to 7 V
Input current, I_I	-30 mA to 5 mA
Operating free-air temperature range	0°C to 70°C
Storage temperature range: HA or HB package	-65°C to 150°C
FN package	0°C to 125°C

NOTE 1: All voltage values are with respect to V_{SS1} and V_{SS2} .

recommended operating conditions

	MIN	NOM	MAX	UNIT
Supply voltage, V_{DD}	4.75	5	5.25	V
High-level input voltage, V_{IH}	2			V
Low-level input voltage, V_{IL}			0.8	V
Operating free-air temperature, T_A	0		70	°C

electrical characteristics over recommended operating free-air temperature range, $V_{DD} = 5.25$ V (unless otherwise noted)

PARAMETER		TEST CONDITIONS	MIN	MAX	UNIT	
V_{OH}	High-level output voltage	$V_{DD} = 4.75$ V, I_{OH} for DL0 thru DL7 = -3.5 mA, I_{OH} for all other (except \overline{IRQ} and \overline{RDY}) = -2 mA	2.4		V	
V_{OL}	Low-level output voltage	$V_{DD} = 4.75$ V, I_{OL} for DL0 thru DL7 = 5.5 mA, I_{OL} for all other = 3.5 mA		0.4	V	
I_{IH}	High-level input current	$V_I = 5.25$ V		10	μ A	
I_{IL}	Low-level input current	$V_I = 0$		-10	μ A	
I_{OS}^\dagger	Short-circuit output current	DL0-DL7	$V_{DD} = 5.25$ V	-50	-180	mA
		All other outputs except \overline{IRQ} and \overline{RDY}		-30	-110	
I_{OZH}^\ddagger	Off-state output current, high-level voltage applied	$V_O = 2.4$ V		-10	μ A	
I_{OZL}^\ddagger	Off-state output current, low-level voltage applied	$V_O = 0.4$ V		10	μ A	
I_{DD}	Supply current	$V_{DD} = 5$ V, $T_A = 25^\circ$ C		200	mA	
C_i	Input capacitance			4	pF	
C_{iO}^\S	Input/output capacitance			5	pF	

[†] Not more than one output should be short circuited at a time, and the duration of the short should not exceed 1 second.

[‡] All 3-state output drivers are wired in an I/O configuration. The parameters include the driver and receiver input currents.

[§] This parameter includes the capacitive loads of the output driver and the receiver input.

bus read and write timing requirements (see Figures 3 and 4)

PARAMETER		TEST CONDITIONS	MIN	MAX	UNIT
t_{w1}	Pulse duration, $\overline{DS1}$ low	WR high	0.18	10	μ s
t_{w2}	Pulse duration, $\overline{DS1}$ high		450		ns
t_{w3}	Pulse duration, $\overline{DS1}$ low	WR low	0.13	10	μ s
t_{su1}	Setup time, A5-A0 valid before $\overline{DS1}$ and low		30		ns
t_{su2}	Setup time, \overline{CS} high before $\overline{DS1}$ and low		30		ns
t_{su3}	Setup time, \overline{CS} low before $\overline{DS1}$ and $\overline{DS2}$ low		30		ns
t_{su4}	Setup time, DL7-DL0 valid before $\overline{DS1}$ and $\overline{DS2}$ low		130		ns
t_{h1}	Hold time, A5-A0 valid after $\overline{DS1}$ and high		10		ns
t_{h2}	Hold time, WR high or low after $\overline{DS1}$ and high		10		ns
t_{h3}	Hold time, \overline{CS} low after $\overline{DS1}$ and $\overline{DS2}$ high		10		ns
t_{h4}	Hold time, DL7-DL0 valid after $\overline{DS1}$ and $\overline{DS2}$ high		30		ns
t_v	Valid time, DL7-DL0 after $\overline{DS1}$ and $\overline{DS2}$ high		0		ns

write switching characteristics (see Figures 3 and 4)

PARAMETER		TEST CONDITIONS	MIN	MAX	UNIT
t_{en}	Enable time	$C_L = 150$ pF		165	ns
t_{dis}	Disable time	$C_L = 50$ pF		50	ns
		$C_L = 100$ pF		60	
		$C_L = 150$ pF		65	
t_{pd1}	Propagation delay time, from \overline{CS} low to \overline{RDY} low	$C_L = 50$ pF		90	ns
t_{pd2}^\dagger	Propagation delay time, from \overline{CS} high to \overline{RDY} high	$C_L = 50$ pF		210	ns
t_{pd3}	Propagation delay time, from $\overline{DS1}$ and $\overline{DS2}$ low to DL7-DL0 valid	$C_L = 150$ pF		165	ns
t_{pd4}^\dagger	Propagation delay time, from $\overline{DS1}$ and $\overline{DS2}$ low to \overline{IRQ} high	$C_L = 50$ pF		635	ns

† Total rise time is dependent upon internal delay plus the pull-up delay introduced by the external resistor being used. Parameter t_{pd2} is calculated from $t_{pd2} = 75$ ns + R_{CL} , and t_{pd4} is calculated from $t_{pd4} = 500$ ns + R_{CL} where R = value of the resistor that connects to C_L in Figure 1.

write timing requirements (see Figure 5)

PARAMETER		TEST CONDITIONS	MIN	MAX	UNIT
f_{clock}	Clock frequency		4.9152		MHz
t_{w4}	Pulse duration, clock high or low		95		ns
t_{w5}	Pulse duration, \overline{CS} low		1		μ s
t_{w6}	Pulse duration, $\overline{DS1}$ and $\overline{DS2}$ high or low		1		μ s
t_{w7}	Pulse duration, TXD7-TXD0 high or low		250		ns
t_{su5}	Setup time, $\overline{DS2}$ high before \overline{R} high				ns
t_{su6}	Setup time, \overline{CS} high before \overline{F} low		250		ns
t_{h5}	Hold time, $\overline{DS1}$ high after \overline{LSET} high		1		μ s
t_{h6}	Hold time, MR \overline{F} high after \overline{F} high		250		ns
t_{d1}	Delay time, \overline{RX} to \overline{CS} high	$C_L = 50$ pF			ns
t_{d2}	Delay time, \overline{RX} to \overline{CS} low	$C_L = 50$ pF			ns

PARAMETER MEASUREMENT INFORMATION

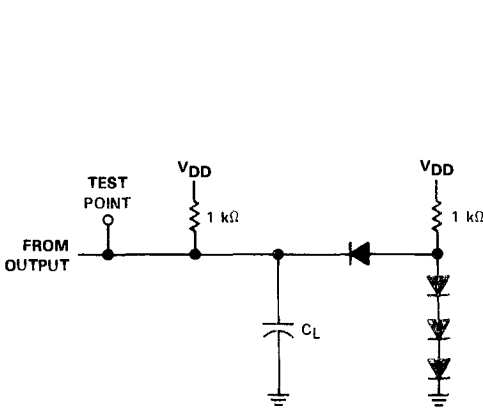


FIGURE 1. STANDARD OUTPUT LOAD CIRCUIT

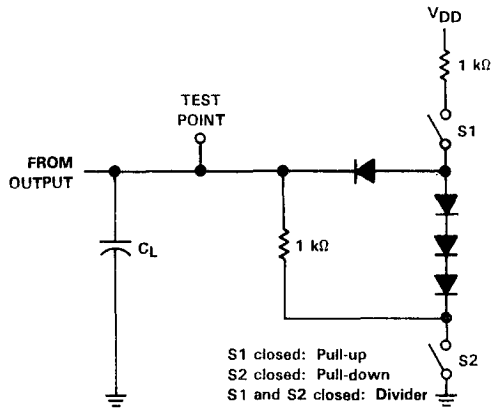


FIGURE 2. 3-STATE OUTPUT LOAD CIRCUIT

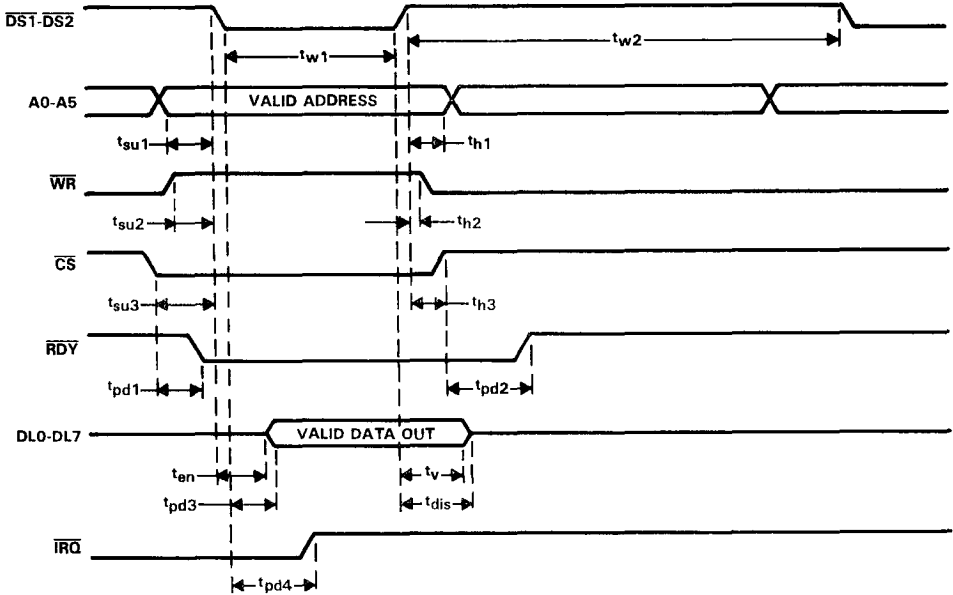


FIGURE 3. BUS READ CYCLE TIMING WAVEFORMS

PARAMETER MEASUREMENT INFORMATION

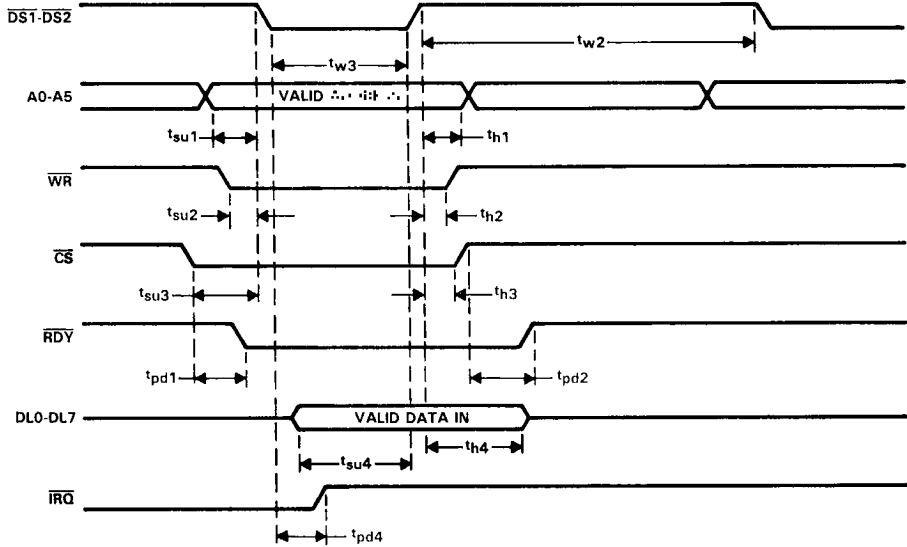


FIGURE 4. BUS WRITE CYCLE TIMING WAVEFORMS

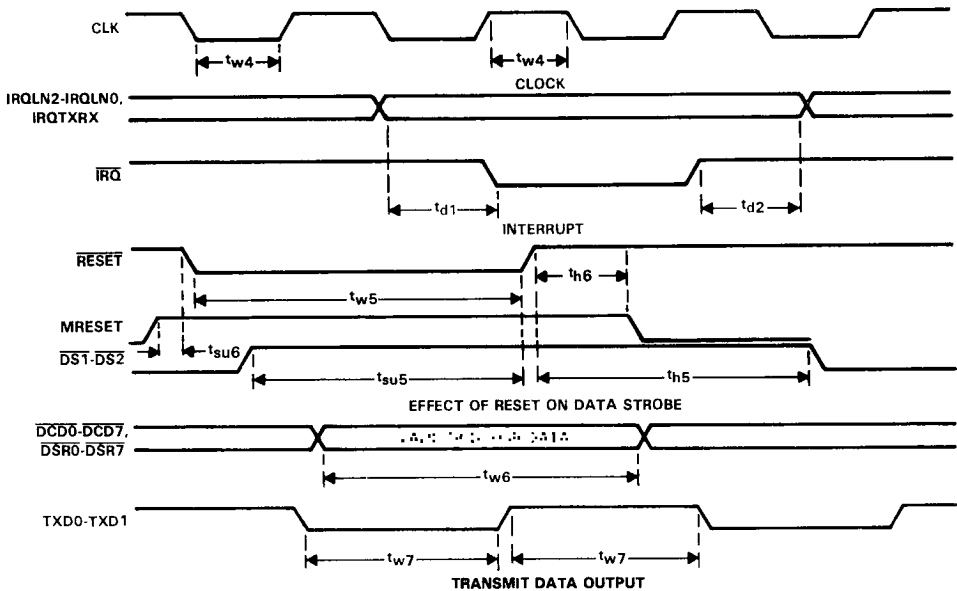
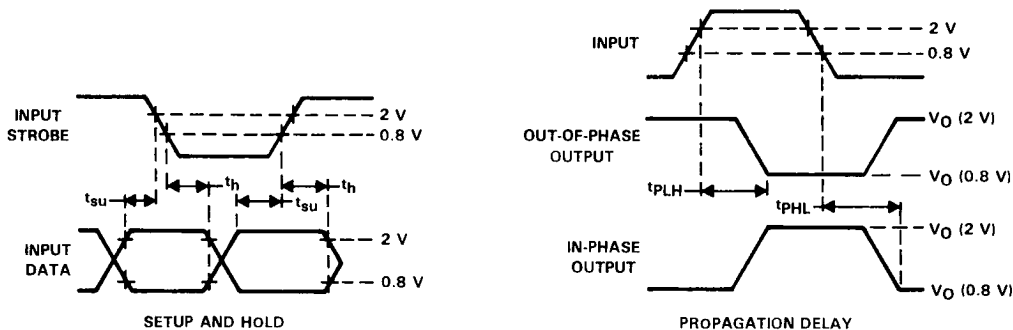


FIGURE 5. MISCELLANEOUS SIGNAL TIMING

TCM78808
OCTAL ASYNCHRONOUS RECEIVER/TRANSMITTER

PARAMETER MEASUREMENT INFORMATION



NOTE $t_{pd} = t_{PLH}$ or t_{PHL}

FIGURE 6. VOLTAGE WAVEFORMS

PRINCIPLES OF OPERATION

electrical operation

data and address

data lines (DL7 through DL0)

These lines are used for the parallel transmission and reception of data between the CPU and the TCM78808. The receivers are activated by the data strobe ($\overline{DS1}$, $\overline{DS2}$) signals. The output drivers are active only when the chip select (\overline{CS}) signal is low (active), the data strobe ($\overline{DS1}$, $\overline{DS2}$) signal goes low (active), and the write (\overline{WR}) signal is high (inactive). The drivers will become inactive (high impedance) within 50 ns when one or more of the following occurs: the chip select (\overline{CS}) signal goes high, the data strobe ($\overline{DS1}$, $\overline{DS2}$) signal goes high, or the write (\overline{WR}) signal goes low.

address lines (A5 through A0)

These lines select which internal register is accessible through the data I/O lines (DL7 through DL0) when the data strobe ($\overline{DS1}$, $\overline{DS2}$) and chip select (\overline{CS}) signals are low. Table 1 lists the addresses corresponding to each register. The receiver buffer and transmitter holding register for each line have the same address. When the \overline{CS} signal is high, the address accesses the receiver buffer register. When \overline{WR} is low, it accesses the transmitter holding register.

PRINCIPLES OF OPERATION

TABLE 1. TCM78808 REGISTERS ADDRESS SELECTION

ADDRESS LINE [†]						READ/ WRITE	REGISTER
A5	A4	A3	A2	A1	A0		
L	L	L	L	L	L	Read	Line 0 Receiver Buffer
L	L	L	L	L	L	Write	Line 0 Transmitter Holding
L	L	L	L	L	H	Read	Line 0 Status
L	L	L	L	H	L	Read/Write	Line 0 Mode Registers 1 and 2
L	L	L	L	H	H	Read/Write	Line 0 Command
L	L	H	L	L	L	Read	Line 1 Receiver Buffer
L	L	H	L	L	L	Write	Line 1 Transmitter Holding
L	L	H	L	L	H	Read	Line 1 Status
L	L	H	L	H	L	Read/Write	Line 1 Mode Registers 1 and 2
L	L	H	L	H	H	Read/Write	Line 1 Command
L	H	L	L	L	L	Read	Line 2 Receiver Buffer
L	H	L	L	L	L	Write	Line 2 Transmitter Holding
L	H	L	L	L	H	Read	Line 2 Status
L	H	L	L	H	L	Read/Write	Line 2 Mode Registers 1 and 2
L	H	L	L	H	H	Read/Write	Line 2 Command
L	H	H	L	L	L	Read	Line 3 Receiver Buffer
L	H	H	L	L	L	Write	Line 3 Transmitter Holding
L	H	H	L	L	H	Read	Line 3 Status
L	H	H	L	H	L	Read/Write	Line 3 Mode Registers 1 and 2
L	H	H	L	H	H	Read/Write	Line 3 Command
H	L	L	L	L	L	Read	Line 4 Receiver Buffer
H	L	L	L	L	L	Write	Line 4 Transmitter Holding
H	L	L	L	L	H	Read	Line 4 Status
H	L	L	L	H	L	Read/Write	Line 4 Mode Registers 1 and 2
H	L	L	L	H	H	Read/Write	Line 4 Command
H	L	H	L	L	L	Read	Line 5 Receiver Buffer
H	L	H	L	L	L	Write	Line 5 Transmitter Holding
H	L	H	L	L	H	Read	Line 5 Status
H	L	H	L	H	L	Read/Write	Line 5 Mode Registers 1 and 2
H	L	H	L	H	H	Read/Write	Line 5 Command
H	H	L	L	L	L	Read	Line 6 Receiver Buffer
H	H	L	L	L	L	Write	Line 6 Transmitter Holding
H	H	L	L	L	H	Read	Line 6 Status
H	H	L	L	H	L	Read/Write	Line 6 Mode Registers 1 and 2
H	H	L	L	H	H	Read/Write	Line 6 Command
H	H	H	L	L	L	Read	Line 7 Receiver Buffer
H	H	H	L	L	L	Write	Line 7 Transmitter Holding
H	H	H	L	L	H	Read	Line 7 Status
H	H	H	L	H	L	Read/Write	Line 7 Mode Registers 1 and 2
H	H	H	L	H	H	Read/Write	Line 7 Command
X	X	X	H	L	L	Read	Interrupt Summary
X	X	X	H	L	H	Read	Data Set Change Summary

[†]X = Either L or H

TCM78808 OCTAL ASYNCHRONOUS RECEIVER/TRANSMITTER

PRINCIPLES OF OPERATION

bus transaction control

chip select (\overline{CS})

This signal, when low, permits data transfers through the DL7 through DLO lines to or from the internal registers. Data transfer is controlled by the data strobe ($\overline{DS1}$, $\overline{DS2}$) signal and the write (\overline{WR}) signal.

data strobe ($\overline{DS1}$, $\overline{DS2}$)

The data strobe inputs ($\overline{DS1}$ and $\overline{DS2}$) must be connected together. This input receives timing information for data transfers. During a write cycle, the CPU activates the data strobe signal when valid output data is available and deactivates the data strobe signal before the data is removed. During a read cycle, the CPU activates the data strobe signal, and the TCM78808 transfers the valid data.

When the data strobe signal is high, the DL7 through DLO lines are in a high-impedance state.

write (\overline{WR})

The write (\overline{WR}) signal specifies the direction of data transfer on the DL7 through DLO pins by controlling the direction of their transceivers. If the \overline{WR} signal is low during a data transfer (with the \overline{CS} , $\overline{DS1}$, and $\overline{DS2}$ signals also low), the TCM78808 receives data from DL7 through DLO. If the \overline{WR} signal is high during a write data transfer, the TCM78808 drives data onto the DL7 through DLO lines.

interrupt request (\overline{IRQ})

The \overline{IRQ} output is an active-low, open-drain output. The integral interrupt scanner drives the \overline{IRQ} signal low when it has detected an interrupt condition on one of the eight serial data lines.

interrupt request transmit/receive ($IRQTxRx$)

This signal indicates when the interrupt scanner stops and activates \overline{IRQ} because of a transmitter interrupt condition ($IRQTxRx = H$) or because of a receiver interrupt condition ($IRQTxRx = L$). The signal is valid only while the \overline{IRQ} signal is low. The state of $IRQTxRx$ signal also appears as bit 0 of the interrupt summary register.

interrupt request line number ($IRQLN2$ through $IRQLN0$)

These lines indicate the line number at which the TCM78808 interrupt scanner stopped and activated the interrupt request (\overline{IRQ}) signal. The number on these lines is valid only while the \overline{IRQ} signal is low. Line $IRQLN2$ is the high-order bit, and the $IRQLN0$ line is the low-order bit.

The state of these signals also appears as bits in the interrupt summary register: $IRQLN2$ as bit 3, $IRQLN1$ as bit 2, and $IRQLN0$ as bit 1. Table 2 shows the line numbers corresponding to settings of $IRQLN2$ through $IRQLN0$.

PRINCIPLES OF OPERATION

**TABLE 2. TCM78808 INTERRUPT REQUEST
LINE INDICATIONS**

IRQLN2	IRQLN1	IRQLN0	INTERRUPT REQUEST LINE NUMBER
L	L	L	0
L	L	H	1
L	H	L	2
L	H	H	3
H	L	L	4
H	L	H	5
H	H	L	6
H	H	H	7

serial data

transmit data (TXD7 through TXD0)

These outputs transmit the asynchronous bit-serial data streams. They remain at a high level when no data is being transmitted and at a low level when the TxBRK bit in the command register of the associated line is set.

receive data (RXD7 through RXD0)

These lines accept asynchronous bit-serial data streams. The input signals must remain at the high level for at least one-half bit time before a high-to-low transition is recognized. A high-to-low transition is required to signal the beginning of a start bit and initiate data reception.

modem signals

data set ready ($\overline{DSR7}$ through $\overline{DSR0}$)

These eight inputs, one for each serial data line on the TCM78808, are typically connected via intervening level converters to the data set ready outputs of modems. A TTL low at a \overline{DSR} pin causes the DSR bit (bit 7) in the status register of the corresponding line to be activated. A TTL high at a \overline{DSR} pin causes the \overline{DSR} bit in the status register of the corresponding line to be inactive. A change of this input from high to low or low to high causes the activation of the data set change (DSCHNG) bit that corresponds to this line in the data set change summary register. Changes from one level to the other and back again that occur within 1 μ s may not be detected.

carrier detect ($\overline{DCD7}$ through $\overline{DCD0}$)

These eight inputs, one for each serial data line of the TCM78808, are typically connected through intervening level converters to the received-line-signal-detect (also called carrier-detect) outputs of modems. A TTL low at a \overline{DCD} input causes the DCD bit of the corresponding line status register to be deactivated. A change of this input from high to low or low to high causes the activation of the data-set-change (DSCHNG) bit that corresponds to this line in the data-set-change summary register. Changes from one level to the other and back again that occur within 1 μ s may not be detected.

PRINCIPLES OF OPERATION

general control signals

ready (\overline{RDY})

The \overline{RDY} output is an open-drain output. Upon detecting a negative transition of \overline{CS} , the TCM78808 activates the \overline{RDY} signal to indicate readiness to take part in data transfer cycles. The \overline{RDY} signal deactivates on the trailing edge of \overline{CS} .

reset (\overline{RESET})

When the \overline{RESET} input goes low, the TxD7 through TxD0 lines are low, and all internal status bits listed in the Architecture Summary paragraph are cleared.

manufacturing reset ($MRESET$)

This signal is for manufacturing use only. The input should be connected to ground for normal operation.

clock signals

clock input (CLK)

All baud rates and internal clocks are derived from this input. Normal operating frequency is 4.9152 MHz \pm 0.1%, and duty cycle is 50 \pm 5%.

architecture summary

line-specific registers

Each of the eight serial data lines has a set of registers for buffering data into and out of the line and for external control of the line characteristics. These registers are selected for access by setting the appropriate address on lines A5 through A0. Lines A5 through A3 select one of the eight data lines. Lines A2 through A0 select the specific register for that line. Refer to Table 1 for the register address assignments.

receiver buffer register

Each line receiver consists of a character-assembly register and a two-entry FIFO that is the receiver buffer register. When the RxEN bit in a line command register is set, received characters are moved automatically into the line receiver buffer as soon as they have been deserialized from the associated communications line. When there are characters in this FIFO, the RxRDY bit is set in the status register for the line.

The activation of the RxRDY signal for a line that already has the RxIE bit of its command register set causes the interrupt scanner logic to stop and generate an interrupt condition (the \overline{IRQ} signal is low). When the receiver buffer is read, the interrupt condition is cleared (the \overline{IRQ} signal is high), and the interrupt scanner resumes operation.

If there is another entry in a line FIFO, the RxRDY bit remains active. When the interrupt scanner reads this line again, the activation of RxRDY causes the scanner to halt and generate another interrupt (the \overline{IRQ} goes low).

The \overline{RESET} signal clears the RxEN bit and initializes the receiver logic. The RxRDY flag is cleared, and the receiver buffer register outputs become undefined. Any data in the FIFO at that time is lost.

PRINCIPLES OF OPERATION

transmitter holding register

Each line has a transmitter holding register that can be written to. When the TxEN bit in the line command register is set and the serialization logic becomes idle, characters are automatically moved from the output of this register into the transmitter serialization logic.

When this register is empty, the TxRDY bit in the line status register is set. If the transmitter interrupt enable (TxIE) bit in the line command register is also set, the interrupt scanner logic halts and generates an interrupt condition. If a character is then loaded into the register, the interrupt is cleared, and the scanner resumes operation.

The $\overline{\text{RESET}}$ signal also initializes the transmitter logic. The TxRDY flag is cleared, and the transmitter holding register contents are lost. The transmitter enable (TxEN) bit in the line command register is also cleared by $\overline{\text{RESET}}$. Software clearing of TxEN alone produces results different from the full $\overline{\text{RESET}}$ in that the transmitter holding register contents are not lost. They are transmitted when TxEN is set again.

status register

Each line has a read-only status register that provides information about the current state of the given line. This register indicates the readiness of a line for transmission or reception of data and flags error conditions in its bit fields. Figure 7 shows the format of the status register. Table 3 lists the flag bits in each register.

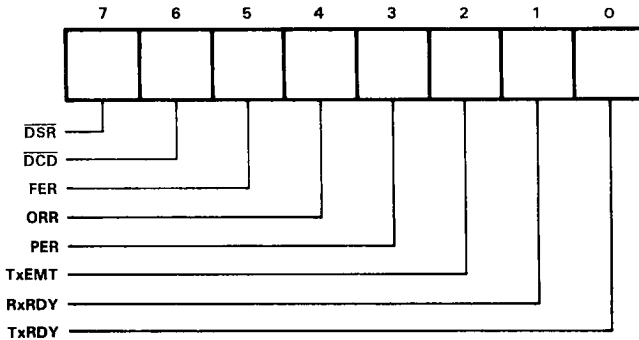


FIGURE 7. TCM78808 STATUS REGISTERS (LINE 0 THROUGH 6) FORMAT

TCM78808 OCTAL ASYNCHRONOUS RECEIVER/TRANSMITTER

PRINCIPLES OF OPERATION

TABLE 3. TCM78808 STATUS REGISTERS (LINES 0 THROUGH 7) DESCRIPTION

BIT	DESCRIPTION
7	DSR (Data Set Ready). This bit is the inverted state of the DSR line.
6	DCD (Data Set Carrier Detect). This bit is the inverted state of the DCD line.
5	FER (Frame Error). Set when the received character currently displayed in the receiver buffer register was not framed by a stop bit. Only the first stop bit is checked to determine that a framing error exists. Subsequent reading of the receiver buffer register that indicates all zeros (including the parity bit, if any) can be interpreted as a Break condition. This bit is cleared by clearing bits 1, 2, and 3 of the command register, by RESET, or by setting the reset error RERR (bit 4) of the command register.
4	Overrun error). Set when the character in the receiver buffer was not read before another character was received. Cleared by clearing RxEN (bit 2) of the command register, by RESET, or by setting reset error RERR (bit 4) of the command register.
3	PER (Parity Error). If parity is enabled and this bit is set, the received character in the receiver buffer register has an incorrect parity bit. This bit is cleared by clearing RxEN (bit 2) of the command register, by RESET, by setting reset error RERR (bit 2) of the command register, or by reading the current character in the receiver buffer register.
2	TxEEMT (Transmitter Empty). Set when the transmitter serialization logic for the associated line has completed transmission of a character, and no new character has been loaded into the transmission holding register. Cleared by loading the transmitter holding register, by clearing TxEN(0) of the command register, or by RESET.
1	RxBRR (Receiver Buffer Ready). When set, a character has been loaded into the FIFO buffer from the deserialization logic. Cleared by reading the receiver buffer register, by clearing RxEN (bit 2) in the command register, or by RESET.
0	TxRDY (Transmitter Holding Register Ready). When set, this bit indicates that the transmitter holding register is empty. Cleared when the program has loaded a character into the transmitter holding register, when the transmitter for this line is disabled by clearing TxEN (bit 0) in the command register, or RESET. This bit is initially set when the transmitter logic is enabled by the setting of the TxEN (bit 0) and the transmitter holding register is empty. This bit is not set when the automatic echo or remote loopback modes are programmed. Data can be overwritten if a consecutive write is performed while TxRDY is cleared.

mode registers 1 and 2

These read/write registers control the attributes (including parity, character length, and line speed) of the communications line.

Each of the eight communications lines has two of these registers, both accessed by the same address on A5 through A0. Successive access operations (either read or write, in any combination) alternate between the two registers at that address by use of an internal pointer. The first operation addresses mode register 1. The pointer is reset to point to mode register 1 by RESET or by a read of the command register for this line. These registers should not be accessed by bit-oriented instructions that do read/modify/write cycles such as the PDP-11 BIS, BIC, and BIT instructions.

Figure 8 shows the format of mode registers 1, and Table 4 describes the function of the register information.

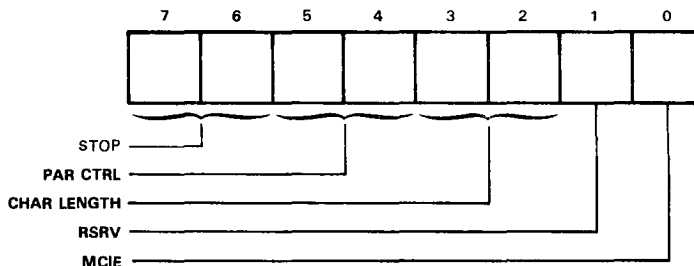


FIGURE 8. TCM78808 MODE REGISTERS 1 (LINE 0-6) FORMAT

PRINCIPLES OF OPERATION

TABLE 4. TCM78808 MODE REGISTERS 1 (LINES 0 THROUGH 6) DESCRIPTION

BIT	DESCRIPTION															
7,6	<p>STOP. These bits determine the number of stop bits that are appended to the transmitted characters as follows. These bits are cleared by RESET.</p> <table style="margin-left: 40px;"> <tr> <td style="text-align: center;">Bit 7</td> <td style="text-align: center;">Bit 6</td> <td style="text-align: center;">Stop Bits</td> </tr> <tr> <td style="text-align: center;">L</td> <td style="text-align: center;">L</td> <td style="text-align: center;">Invalid</td> </tr> <tr> <td style="text-align: center;">L</td> <td style="text-align: center;">H</td> <td style="text-align: center;">1.0</td> </tr> <tr> <td style="text-align: center;">H</td> <td style="text-align: center;">L</td> <td style="text-align: center;">1.5</td> </tr> <tr> <td style="text-align: center;">H</td> <td style="text-align: center;">H</td> <td style="text-align: center;">2.0</td> </tr> </table>	Bit 7	Bit 6	Stop Bits	L	L	Invalid	L	H	1.0	H	L	1.5	H	H	2.0
Bit 7	Bit 6	Stop Bits														
L	L	Invalid														
L	H	1.0														
H	L	1.5														
H	H	2.0														
5,4	<p>PAR CTRL (Parity control). These bits determine parity as follows and are cleared by RESET. (X = either H or L)</p> <table style="margin-left: 40px;"> <tr> <td style="text-align: center;">Bit 5</td> <td style="text-align: center;">Bit 4</td> <td style="text-align: center;">Parity Type</td> </tr> <tr> <td style="text-align: center;">H</td> <td style="text-align: center;">H</td> <td style="text-align: center;">Even</td> </tr> <tr> <td style="text-align: center;">L</td> <td style="text-align: center;">H</td> <td style="text-align: center;">Odd</td> </tr> <tr> <td style="text-align: center;">X</td> <td style="text-align: center;">L</td> <td style="text-align: center;">Disabled</td> </tr> </table>	Bit 5	Bit 4	Parity Type	H	H	Even	L	H	Odd	X	L	Disabled			
Bit 5	Bit 4	Parity Type														
H	H	Even														
L	H	Odd														
X	L	Disabled														
3,2	<p>CHAR LENGTH (Character length). These bits determine the length (excluding start bit, parity, and stop bits) of the characters received and sent. Received characters of less than 8 bits are "right aligned" in the receiver buffer with unused high-order bits equal to zero. Parity bits are not shown in the receiver buffer. The character length bits are cleared by RESET. The character length bits are defined as follows:</p> <table style="margin-left: 40px;"> <tr> <td style="text-align: center;">Bit 3</td> <td style="text-align: center;">Bit 2</td> <td style="text-align: center;">Bit Length</td> </tr> <tr> <td style="text-align: center;">L</td> <td style="text-align: center;">L</td> <td style="text-align: center;">5</td> </tr> <tr> <td style="text-align: center;">L</td> <td style="text-align: center;">H</td> <td style="text-align: center;">6</td> </tr> <tr> <td style="text-align: center;">H</td> <td style="text-align: center;">L</td> <td style="text-align: center;">7</td> </tr> <tr> <td style="text-align: center;">H</td> <td style="text-align: center;">H</td> <td style="text-align: center;">8</td> </tr> </table>	Bit 3	Bit 2	Bit Length	L	L	5	L	H	6	H	L	7	H	H	8
Bit 3	Bit 2	Bit Length														
L	L	5														
L	H	6														
H	L	7														
H	H	8														
1	<p>Reserved and cleared by RESET</p>															
0	<p>Modem control interrupt enable. When set and RxIE (bit 5) of the command register is set, the modem control interrupts are enabled. Refer to the interrupt Scanner and Interrupt Handling information. Cleared by RESET.</p>															

Figure 9 shows the format of mode registers 2, and Table 5 indicates the baud rate selections of the register. Bits 7 through 4 of mode register 2 control the transmitter baud rate, and bits 3 through 0 control the receiver baud rate. These registers are cleared by **RESET**.

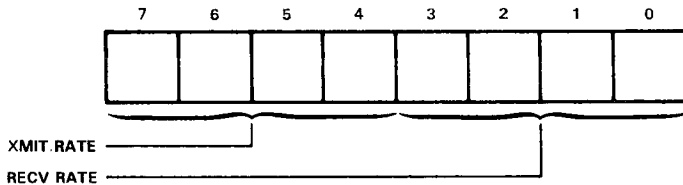


FIGURE 9. TCM78808 MODE REGISTERS 2 (LINE 0 THROUGH 6) FORMAT

PRINCIPLES OF OPERATION

**TABLE 5. TCM78808 MODE REGISTERS 2
(LINES 0 THROUGH 6) DESCRIPTION**

BIT	DESCRIPTION										
7-0	XMIT RATE/RCV RATE (Transmitter/Receiver Rate). Selects the baud rate of the transmitter (bits 7 through 4) and receiver (bits 3 through 0) as follows:										
	Transmitter Bits				Receiver Bits				Nominal	Actual	Error [†]
	7	6	5	4	3	2	1	0	Rate	Rate	(percent)
	L	L	L	L	L	L	L	L	50	same	—
	L	L	L	H	L	L	L	H	75	same	—
	L	L	H	L	L	L	H	L	110	109.09	0.826
	L	L	H	H	L	L	H	H	134.5	133.33	0.867
	L	H	L	L	L	H	L	L	150	same	—
	L	H	L	H	L	H	L	H	300	same	—
	L	H	H	L	L	H	H	L	600	same	—
	L	H	H	H	L	H	H	H	1200	same	—
	H	L	L	L	H	L	L	L	1800	1745.45	3.03
	H	L	L	H	H	L	L	H	2000	2021.05	1.05
	H	L	H	L	H	L	H	L	2400	same	—
	H	L	H	H	H	L	H	H	3600	3490.91	3.03
	H	H	L	L	H	H	L	L	4800	same	—
	H	H	L	H	H	H	L	H	7200	6981.81	3.03
	H	H	H	L	H	H	H	L	9600	same	—
	H	H	H	H	H	H	H	H	19200	same	—

[†] The frequency of the clock input (CLK) is 4.9152 MHz. The clock input may vary by 0.1%. This variance results in an error that must be added to the error listed in the error column.

command register

These read/write registers control various functions on the selected line. Figure 10 shows the format of the command registers, and Table 6 describes the function of the register information.

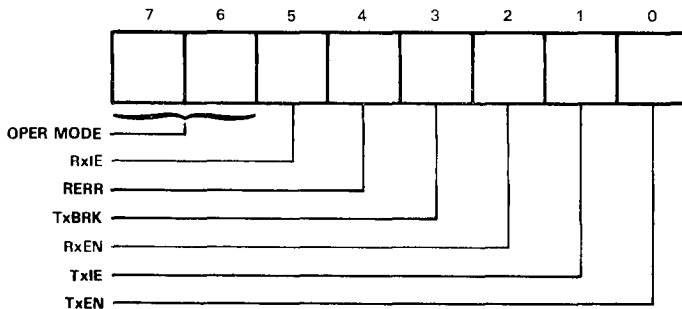


FIGURE 10. TCM78808 COMMAND REGISTERS (LINE 0 THROUGH 6) FORMAT

PRINCIPLES OF OPERATION

TABLE 6. TCM78808 COMMAND REGISTERS (LINES 0 THROUGH 7) DESCRIPTION

BIT	DESCRIPTION															
7,6	<p>OPER MODE (Operation Mode). These bits control the operating mode of the channel as follows. These bits are cleared by RESET.</p> <table style="margin-left: 20px;"> <tr> <td style="text-align: center;">Bit 7</td> <td style="text-align: center;">Bit 6</td> <td style="text-align: left;">Operating Mode</td> </tr> <tr> <td style="text-align: center;">L</td> <td style="text-align: center;">L</td> <td>Normal operation</td> </tr> <tr> <td style="text-align: center;">L</td> <td style="text-align: center;">H</td> <td>Automatic echo</td> </tr> <tr> <td style="text-align: center;">H</td> <td style="text-align: center;">L</td> <td>Local loopback</td> </tr> <tr> <td style="text-align: center;">H</td> <td style="text-align: center;">H</td> <td>Remote loopback</td> </tr> </table>	Bit 7	Bit 6	Operating Mode	L	L	Normal operation	L	H	Automatic echo	H	L	Local loopback	H	H	Remote loopback
Bit 7	Bit 6	Operating Mode														
L	L	Normal operation														
L	H	Automatic echo														
H	L	Local loopback														
H	H	Remote loopback														
5	RIE (Receiver Interrupt Enable). When set, the RxRDY flag (bit 1) of the status register for this line will generate an interrupt.															
4	RE (Reset Error). When set, this bit clears the framing error, overrun error, and parity error of the status register associated with this line. This bit is cleared by RESET . It is not self-clearing.															
3	TxBRK (Transmit Break). When set, this bit forces the appropriate TxD7-TxD0 line to the spacing state at the conclusion of the character presently being transmitted. When the program clears this bit, normal operation is restored, and any character pending in the transmitter holding register is moved into the serialization logic and transmitted. The minimum break length obtainable is twice the character length plus 1 bit time. The maximum break length depends on the amount of time between the program setting and clearing this bit, but is an integral number of bit times. This bit is cleared by RESET .															
2	RxEN (Receiver Enable). When set, this bit enables the receiver logic. When cleared, it stops the assembling of the received character, clears all receiver error bits and the RxRDY (bit 1) of the status register, clears any receiver interrupt conditions associated with this line, and initializes all receiver logic. This bit is cleared by RESET .															
1	TxE (Transmit Interrupt Enable). When set, the state of the associated TxRDY flag (bit 0) of the status register is made available to the interrupt scanner logic. When the interrupt scanner logic scans this line, it determines if the TxRDY flag is set and, if so, generates an interrupt.															
0	TxEN (Transmitter Enable). When set, this bit enables the transmitter logic. When cleared, it inhibits the serialization of the characters that follow, but the serialization of the current character is completed. It also clears the TxRDY flag (bit 0) of the status register, clears any transmitter interrupt conditions associated with the transmitter holding register, and initializes all transmitter logic except that associated with the transmitter holding register. The character in the transmitter holding register is retained so that XON/XOFF situations can be properly processed. This bit is cleared by RESET .															

Bits 5 through 0 enable the line receiver and transmitter, enable handling of interrupts, initiate the transmission of break characters, and reset error bits for the line. Refer to the "Interrupt Scanner and Interrupt Handling" paragraphs for detailed interrupt information. Bits 7 and 6 control the operating mode of the line. The four modes that can be set are normal operation, automatic echo, local loopback, and remote loopback.

normal operation

The serial data received is assembled in the receiver logic and transferred in parallel to the receiver buffer register. The RxEN bit must be set. Data to be transmitted is loaded in parallel into the transmitter holding register, then automatically transferred into the transmitter logic and serialized for transmission. The TxEN bit must be set.

automatic echo

The serial data received is assembled into parallel form in the receiver logic (the RxEN bit must be set) and transferred to the receiver buffer register. Arriving serial data is also routed to the line's TxDn pin for serial output. TxEN is ignored, and the transmitter logic is disabled. TxRDY flags and TxEMT indications are cleared. No transmitter interrupts are generated.

TCM78808 OCTAL ASYNCHRONOUS RECEIVER/TRANSMITTER

PRINCIPLES OF OPERATION

local loopback

The serial data from the RxDn input is ignored, and the receiver serial input receives data from the transmitter serial output. That data is assembled into parallel form in the receiver logic (the RxEN bit must be set) and transferred to the receiver buffer register where it can be read by the program. Data to be transmitted to the receiver is loaded in parallel form into the transmitter holding register from which it is automatically moved into the transmitter logic and serialized for transmission. The TxEN bit must be set. The transmission goes only to the receiver serial input; the TxDn output is held high. As in normal operation, transmission and reception baud rates are controlled by the transmitter speed and receiver speed entries in mode register 2.

remote loopback

The serial data received on the RxDn line is returned to the TxDn line without further action. No data is received or transmitted. The RxRDY, TxRDY, and TxEMT flags are disabled. The TxEN and RxEN bits of the command register are held cleared, causing the transmitter and receiver logic to be disabled.

summary registers

The TCM78808 contains two registers that summarize the current status of all eight serial data lines, making it possible to determine that a line status has changed with a single read operation. These registers are selected for access by setting the appropriate address on inputs A2 through A0. Because the registers are shared by eight serial lines, the line-selection bits A5 through A3 are ignored when these registers are accessed. Refer to "Interrupt Scanner and Interrupt Handling" for detailed interrupt information.

interrupt summary register

This read-only register indicates that a transmitter or receiver interrupt condition has occurred and indicates the line number that generated the interrupt. Figure 11 shows the format of the interrupt summary register, and Table 7 describes register information.

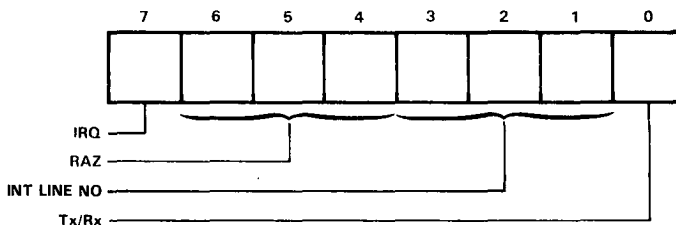


FIGURE 11. TCM78808 INTERRUPT SUMMARY REGISTER FORMAT

PRINCIPLES OF OPERATION

TABLE 7. TCM78808 INTERRUPT SUMMARY REGISTER DESCRIPTION

BIT	DESCRIPTION
7	IRQ (Interrupt Request). When set, this bit indicates that the interrupt scanner has found an interrupting condition among the eight serial lines of the TCM78808. These conditions also result in activating the IRQ signal.
6,5,4	RAZ (Read as Zero). Not used
3,2,1 [†]	INT LINE NO (Interrupting Line Number). These bits indicate the line number upon which an interrupting condition was found. These bits correspond to the IRQLN2-IRQLNO signals: bit 3 = IRQLN2, bit 2 = IRQLN1, and bit 1 = IRQLNO. See Table 2.
0 [†]	Tx/Rx (Transmit/Receive). This bit indicates whether the interrupting condition was caused by a transmitter (Tx/Rx = 1) or a receiver (Tx/Rx = 0). This bit corresponds to the IRQTxRx signal of the TCM78808 and is set when IRQTxRx is set.

[†] Bits 3-0 above represent the outputs of a free-running counter and are valid only when bit 7 is set.

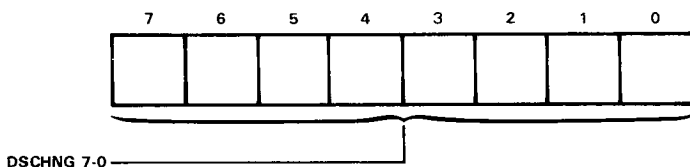


FIGURE 12. TCM78808 DATA SET CHANGE SUMMARY REGISTER FORM

When the MCIE bit in a line mode register 1 is set and RxIE is also set, the modem control interrupts are enabled for that line. If DSCHNG for that line is then set, the interrupt scanner will halt and generate an interrupt. The data set change summary register bits are cleared by writing a high into the bit position. A program that uses this register should read and save a copy of its contents. The copy can then be written back to the register to clear the bits that were set. The system interrupts should be disabled, and writeback should directly follow the read operation.

The $\overline{\text{RESET}}$ signal disables and initializes the data set change logic. When the $\overline{\text{RESET}}$ signal is high, future changes in DSR and DCD are reported as they occur.

interrupt scanner and interrupt handling

The interrupt scanner is a 4-bit counter that sequentially checks lines 0 through 7 for a receiver interrupt (counter positions 0 through 7) and then checks the lines in the same order for a transmitter interrupt (counter positions 8 through 15). If the scanner detects an interrupt condition, it stops, and the IRQ signal goes low. An interrupt must be serviced by software, or no other interrupt request can be posted.

The scanner determines that a line has a receiver interrupt if the line receiver buffer is ready and receiver interrupts are enabled for that line (RxRDY and RxIE = H) or if either of the line modem status signals has changed state and both receiver and modem control interrupts are enabled for that line (DSCHNG, RxIE, and MCIE all high).

The scanner determines that a line has a transmitter interrupt if the line's transmitter holding the register is empty and transmitter interrupts are enabled for that line (TxRDY and TxIE both high).

TCM78808 OCTAL ASYNCHRONOUS RECEIVER/TRANSMITTER

PRINCIPLES OF OPERATION

When the scanner detects an interrupt, it reports the line number on the IRQ2-IRQ0 lines. The IRQTxRx signal is high for a transmitter interrupt and is low for a receiver interrupt. The appropriate bits are also updated in the interrupt summary register. The $\overline{\text{IRQ}}$ line goes high, and the scanner is restarted for each of the following three types of interrupt conditions:

1. Reading the receiver buffer or resetting the RxIE bit of the interrupting line for the first type of receiver interrupt previously described.
2. Resetting the MCIE, RxIE, or DSCHNG bit of the interrupting line for the second type of receiver interrupt previously described.
3. Loading the transmitter holding register or resetting the TxIE bit of the interrupting line for transmitter interrupts.

If the scanner was originally stopped by a receiver interrupt condition, the scanner resumes sequential operation from where it stopped, thus providing receivers with equal priority. If the scanner was stopped by a transmitter condition, the scanner restarts from position 0 (line receiver), thus giving receivers priority over transmitters.

edge-triggered and level-triggered interrupt systems

If the interrupt system of the TCM78808 is used only for generating interrupts for the RxRDY and/or TxRDY flags, the $\overline{\text{IRQ}}$ line can be connected to a processor having either edge-triggered or level-triggered interrupt capability. If the modem control interrupts are being used (MCIE in mode register 1 = 1), the $\overline{\text{IRQ}}$ line can be connected only to a processor that uses level-triggered interrupts.

modem handling

The TxEMT (transmitter empty) bit of the status register is typically used to indicate when a program can disable the transmission medium, as when deactivating the request-to-send line of a modem. A typical program will load the last character for transmission and then monitor the TxEMT bit of the status register.

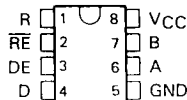
The setting of the TxEMT bit to indicate that transmission is complete may occur a substantial time after the loading of the last character. After the last character is loaded, one character is in the transmitter holding register, and one character is in the serialization logic. Therefore, it will be two character times before the transmission process is completed. Waiting for the TxRDY signal to be set before monitoring the TxEMT status shortens this by one character time because the TxRDY status bit indicates that there are no characters in the transmitter holding register. The times involved are calculated by taking the reciprocal of the baud rate being used, multiplying by the number of bits per character (a start bit - 5, 6, 7, or 8 data bits (plus parity bit if enabled) and 1, 1.5, or 2 stop bits), and multiplying by either two characters or one depending on when TxEMT monitoring begins.

TL3695 DIFFERENTIAL BUS TRANSCEIVER

D3408, NOVEMBER 1988 – REVISED JANUARY 1990

- Bidirectional Transceiver
- Meets EIA Standards RS-422-A and RS-485 and CCITT Recommendations V.11 and X.27
- High-Speed Advanced Low-Power Schottky Circuitry
- Designed for 25-MBaud Operation in Both Serial and Parallel Applications
- Low Skew . . . 8 ns Max
- Designed for Multipoint Transmission on Long Bus Lines in Noisy Environments
- Low Supply Current Requirements
30 mA Max
- Wide Positive and Negative Input/Output Bus Voltage Ranges
- Driver Output Capacity . . . ± 60 mA
- Thermal Shutdown Protection
- Driver Positive and Negative Current Limiting
- Receiver Input Impedances . . . 12 k Ω Min
- Receiver Input Sensitivity . . . ± 200 mV Max
- Receiver Input Hysteresis . . . 70 mV Typ
- Fail Safe . . . High Receiver Output with Inputs Open
- Operates from a Single 5-V Supply
- Glitch-Free Power-Up and Power-Down Protection
- Interchangeable with National DS3695

D OR P PACKAGE
(TOP VIEW)



FUNCTION TABLE (DRIVER)

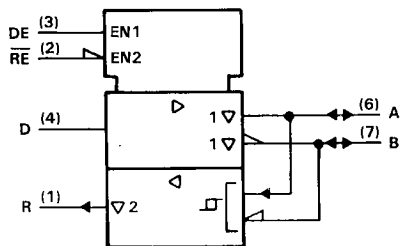
INPUT D	ENABLE DE	OUTPUTS	
		A	B
H	H	H	L
L	H	L	H
X	L	Z	Z

FUNCTION TABLE (RECEIVER)

DIFFERENTIAL INPUTS A – B	ENABLE RE	OUTPUT
		R
$V_{ID} \geq 0.2$ V	L	H
-0.2 V < $V_{ID} < 0.2$ V	L	?
$V_{ID} \leq -0.2$ V	L	L
X	H	Z
Inputs Open	L	H

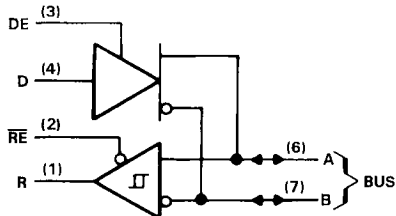
H = high level, L = low level, ? = indeterminate, X = irrelevant, Z = high impedance (off)

logic symbol†



† This symbol is in accordance with ANSI/IEEE Std 91-1984 and IEC Publication 617-12.

logic diagram (positive logic)



description

The TL3695 Differential Bus Transceiver is a monolithic integrated circuit designed for bidirectional data communication on multipoint bus transmission lines. It is designed for balanced transmission lines and meets EIA Standards RS-422-A and RS-485 and CCITT recommendations V.11 and X.27.

The TL3695 combines a 3-state differential line driver and a differential input line receiver both of which operate from a single 5-V power supply. The driver and receiver have active-high and active-low enables, respectively, which can be externally connected together to function as a direction control. The driver differential outputs

NOTICE: This document contains information that is the property of Texas Instruments. This information is provided in confidence and is not to be distributed outside the terms of Texas Instruments standard warranty. Production processing does not necessarily include testing of all parameters.



POST OFFICE BOX 655303 • DALLAS, TEXAS 75265

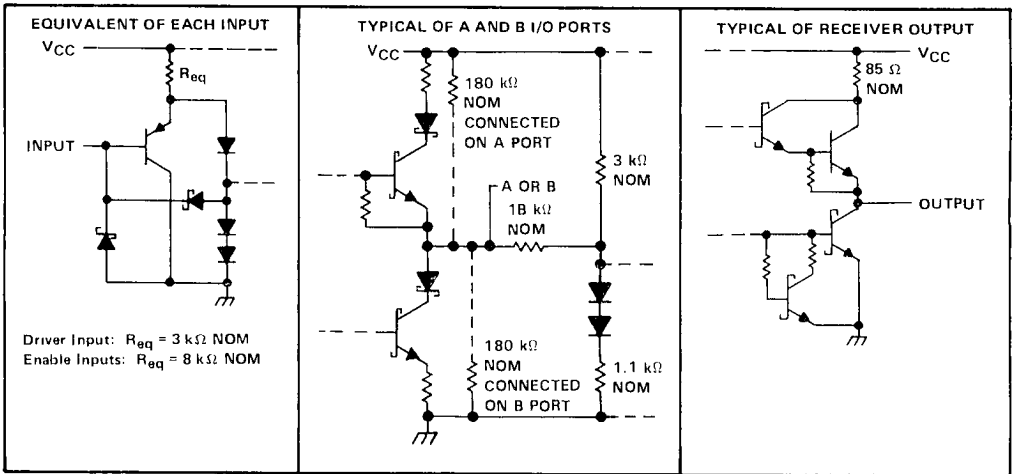
Copyright © 1990, Texas Instruments Incorporated

TL3695 DIFFERENTIAL BUS TRANSCEIVER

and the receiver differential inputs are connected internally to form a differential input/output (I/O) bus port that is designed to offer minimum loading to the bus whenever the driver is disabled or $V_{CC} = 0$. This port features wide positive and negative common-mode voltage ranges making the device suitable for party line applications.

The TL3695 is characterized for operation from 0°C to 70°C.

schematics of inputs and outputs



absolute maximum ratings over operating free-air temperature range (unless otherwise noted)

Supply voltage, V_{CC}	7 V
Voltage range at any bus terminal	- 10 V to 15 V
Enable input voltage	5.5 V
Continuous total power dissipation	See Dissipation Rating Table
Operating free-air temperature range, T_A	0°C to 70°C
Storage temperature range	- 65°C to 150°C
Lead temperature 1,6 mm (1/16 inch) from case for 10 seconds: D or P package	260°C

NOTE 1: All voltage values, except differential I/O bus voltage, are with respect to network ground terminal.

DISSIPATION RATING TABLE

PACKAGE	$T_A \leq 25^\circ\text{C}$ POWER RATING	DERATING FACTOR ABOVE $T_A = 25^\circ\text{C}$	$T_A = 70^\circ\text{C}$ POWER RATING
D	725 mW	5.8 mW/°C	464 mW
P	1000 mW	8.0 mW/°C	640 mW

recommended operating conditions

		MIN	TYP	MAX	UNIT
Supply voltage, V_{CC}		4.75	5	5.25	V
Voltage at any bus terminal (separately or common mode), V_I or V_{IC}				12	V
				-7	V
High-level input voltage, V_{IH}	D, DE, and \overline{RE}	2			V
Low-level input voltage, V_{IL}	D, DE, and \overline{RE}			0.8	V
Differential input voltage, V_{ID} (see Note 2)				± 12	V
High-level output current, I_{OH}	Driver			-60	mA
	Receiver			-400	μ A
Low-level output current, I_{OL}	Driver			60	mA
	Receiver			8	mA
Operating free-air temperature, T_A		0		70	$^{\circ}$ C

NOTE 2: Differential-input/output bus voltage is measured at the noninverting terminal A with respect to the inverting terminal B.

DRIVER SECTION

driver electrical characteristics over recommended ranges of supply voltage and operating free-air temperature (unless otherwise noted)

PARAMETER		TEST CONDITIONS [†]		MIN	TYP [‡]	MAX	UNIT
V_{IK}	Input clamp voltage	$I_I = -18$ mA				-1.5	V
V_O	Output voltage	$I_O = 0$		0		6	V
$ V_{OD1} $	Differential output voltage	$I_O = 0$		1.5		5	V
$ V_{OD2} $	Differential output voltage	$R_L = 100 \Omega$,	See Figure 1	$1/2 V_{OD1}$			
				2			V
$ V_{OD2} $	Differential output voltage	$R_L = 54 \Omega$,	See Figure 1	1.5	2.5	5	V
							V
V_{OD3}	Differential output voltage	$V_{test} = -7$ V to 12 V, See Figure 2		1.5		5	V
$\Delta V_{OD} $	Change in magnitude of differential output voltage [§]					± 0.2	V
V_{OC}	Common-mode output voltage	$R_L = 54 \Omega$,	See Figure 1			3	V
$\Delta V_{OC} $	Change in magnitude of common-mode output voltage [§]					± 0.2	V
I_O	Output current	Output disabled, See Note 3		$V_O = 12$ V		1	mA
				$V_O = -7$ V		-0.8	
I_{IH}	High-level input current	$V_I = 2.4$ V				20	μ A
I_{IL}	Low-level input current	$V_I = 0.4$ V				-200	μ A
I_{OS}	Short-circuit output current	$V_O = -7$ V				-250	mA
		$V_O = 0$				-150	
		$V_O = V_{CC}$				250	
		$V_O = 12$ V				250	
I_{CC}	Supply current	No load		Outputs enabled	23	50	mA
				Outputs disabled	19	35	

[†] The power-off measurement in EIA Standard RS-422-A applies to disabled outputs only and is not applied to combined inputs and outputs.

[‡] All typical values are at $V_{CC} = 5$ V and $T_A = 25^{\circ}$ C.

[§] $\Delta |V_{OD}|$ and $\Delta |V_{OC}|$ are the changes in magnitude of V_{OD} and V_{OC} respectively, that occur when the input is changed from a high level to a low level.

NOTE 3: This applies for both power on and off; refer to EIA Standard RS-485 for exact conditions. The RS-422-A limit does not apply for a combined driver and receiver terminal.

TL3695 DIFFERENTIAL BUS TRANSCEIVER

driver switching characteristics over recommended ranges of supply voltage and operating free-air temperature

PARAMETER	TEST CONDITIONS	MIN	TYP†	MAX	UNIT
t _{DD} Differential-output delay time	C _{L1} = C _{L2} = 100 pF, R _L = 60 Ω, See Figure 3		8	22	ns
Skew (t _{DDH} - t _{DDL})			1	8	ns
t _{TD} Differential output transition time			8	18	ns
t _{PZH} Output enable time to high level	C _L = 100 pF, R _L = 500 Ω, See Figure 4			50	ns
t _{PZL} Output enable time to low level	C _L = 100 pF, R _L = 500 Ω, See Figure 5			50	ns
t _{PHZ} Output disable time to high level	C _L = 15 pF, R _L = 500 Ω, See Figure 4		8	30	ns
t _{PLZ} Output disable time to low level	C _L = 15 pF, R _L = 500 Ω, See Figure 5		8	30	ns

† All typical values are at V_{CC} = 5 V, T_A = 25°C.

SYMBOL EQUIVALENTS

DATA SHEET PARAMETER	RS-422-A	RS-485
V _O	V _{oa} , V _{ob}	V _{oa} , V _{ob}
V _{OD1}	V _O	V _O
V _{OD2}	V _t (R _L = 100 Ω)	V _t (R _L = 54 Ω)
V _{OD3}		V _t (Test Termination Measurement 2)
V _{test}		V _{test}
Δ V _{OD}	V _t - V _t	V _t - V _t
V _{OC}	V _{os}	V _{os}
Δ V _{OC}	V _{os} - V _{os}	V _{os} - V _{os}
I _{OS}	I _{sa} , I _{sb}	
I _O	I _{xa} , I _{xb}	I _a , I _b

RECEIVER SECTION

receiver electrical characteristics over recommended ranges of common-mode input voltage, supply voltage, and operating free-air temperature (unless otherwise noted)

PARAMETER		TEST CONDITIONS		MIN	TYP†	MAX	UNIT
V _{TH}	Differential-input high-threshold voltage	V _O = 2.7 V,	I _O = -0.4 mA			0.2	V
V _{TL}	Differential-input low-threshold voltage	V _O = 0.5 V,	I _O = 8 mA	-0.2‡			V
V _{hys}	Hysteresis§	V _{OC} = 0			70		mV
V _{IK}	Enable-input clamp voltage	I _I = -18 mA				-1.5	V
V _{OH}	High-level output voltage	V _{ID} = 200 mV or inputs open I _{OH} = -400 µA,	See Figure 6	2.4			V
V _{OL}	Low-level output voltage	V _{ID} = -200 mV, See Figure 6	I _{OL} = 16 mA I _{OL} = 8 mA			0.5 0.45	V
I _{OZ}	High-impedance-state output current	V _O = 0.4 V to 2.4 V				±20	µA
I _I	Line input current	Other input = 0 V, See Note 4	V _I = 12 V V _I = -7 V			1 -0.8	mA
I _{IH}	High-level enable-input current	V _{IH} = 2.7 V				20	µA
I _{IL}	Low-level enable-input current	V _{IL} = 0.4 V				-100	µA
r _i	Input resistance			12			kΩ
I _{OS}	Short-circuit output current	V _O = 0		-15		-85	mA
I _{CC}	Supply current	No load	Outputs enabled Outputs disabled		23 19	50 35	mA

NOTE 4: This applies for both power on and power off. Refer to EIA Standard RS-485 for exact conditions.

receiver switching characteristics over recommended ranges of supply voltage and operating free-air temperature

PARAMETER		TEST CONDITIONS		MIN	TYP†	MAX	UNIT
t _{PLH}	Propagation delay time, low-to-high-level output	V _{ID} = -1.5 V to 1.5 V, C _L = 15 pF,			14	37	ns
t _{PHL}	Propagation delay time, high-to-low-level output	See Figure 7			14	37	ns
t _{PZH}	Output enable time to high level	C _L = 15 pF, See Figure 8			7	20	ns
t _{PZL}	Output enable time to low level				7	20	ns
t _{PHZ}	Output disable time from high level	C _L = 15 pF, See Figure 8			7	16	ns
t _{PLZ}	Output disable time from low level				8	16	ns

† All typical values are at V_{CC} = 5 V, T_A = 25°C.

‡ The algebraic convention, in which the less-positive (more-negative) limit is designated minimum, is used in this data sheet for common-mode input voltage and threshold voltage levels only.

§ Hysteresis is the difference between the positive-going input threshold voltage, V_{T+}, and the negative-going input threshold voltage, V_{T-}.

PARAMETER MEASUREMENT INFORMATION

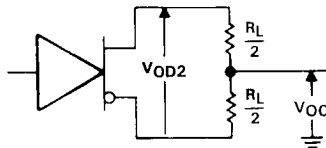


FIGURE 1. DRIVER V_{OD} AND V_{OC}

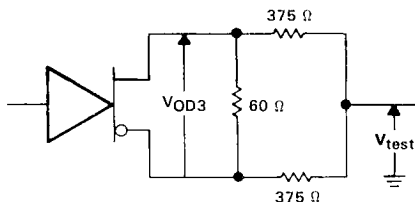
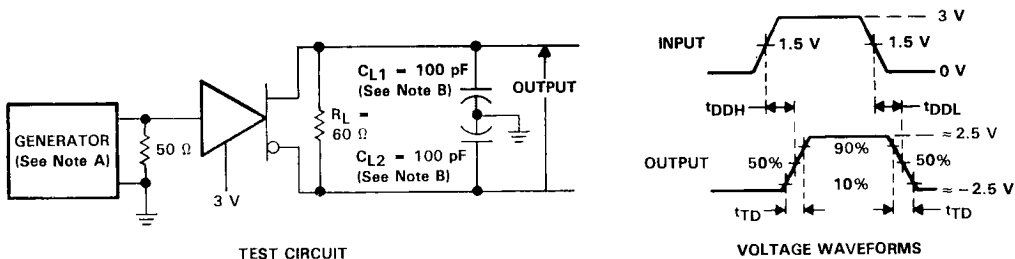
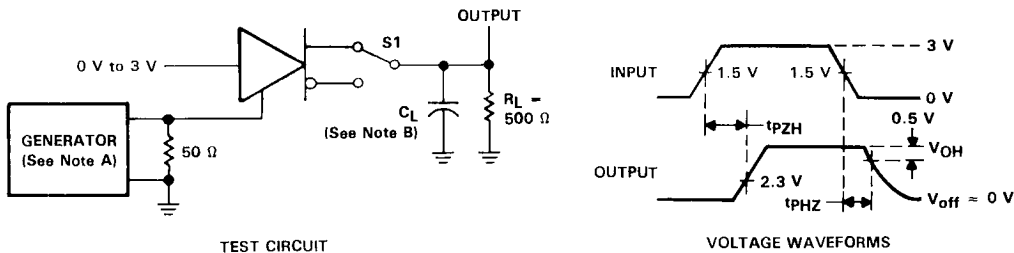


FIGURE 2. DRIVER V_{OD3}



NOTES: A. The input pulse is supplied by a generator having the following characteristics: $PRR \leq 1$ MHz, 50% duty cycle, $t_r \leq 6$ ns, $t_f \leq 6$ ns, $Z_{out} = 50 \Omega$.
B. C_L includes probe and jig capacitance.

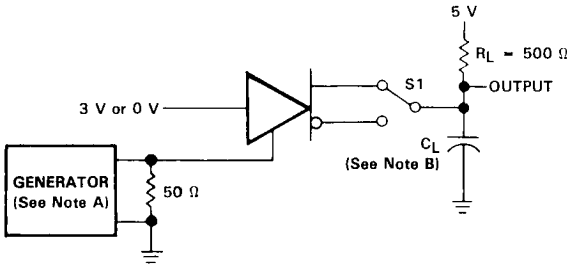
FIGURE 3. DRIVER DIFFERENTIAL-OUTPUT DELAY AND TRANSITION TIMES



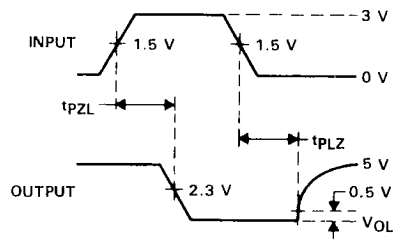
NOTES: A. The input pulse is supplied by a generator having the following characteristics: $PRR \leq 1$ MHz, 50% duty cycle, $t_r \leq 10$ ns, $t_f \leq 10$ ns, $Z_{out} = 50 \Omega$.
B. C_L includes probe and jig capacitance. (See switching characteristics — test conditions)

FIGURE 4. DRIVER ENABLE AND DISABLE TIMES

PARAMETER MEASUREMENT INFORMATION



TEST CIRCUIT



VOLTAGE WAVEFORMS

- NOTES: A. The input pulse is supplied by a generator having the following characteristics: PRR \leq 1 MHz, 50% duty cycle, $t_r \leq$ 10 ns, $t_f \leq$ 10 ns, $Z_{out} = 50 \Omega$.
B. C_L includes probe and jig capacitance. (See switching characteristics — test conditions)

FIGURE 5. DRIVER ENABLE AND DISABLE TIMES

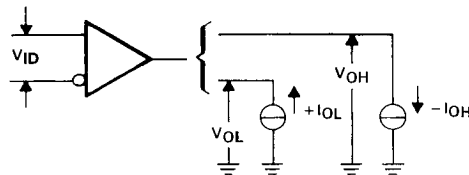
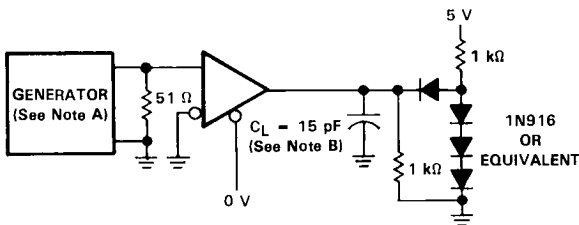
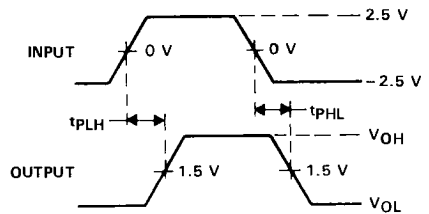


FIGURE 6. RECEIVER V_{OH} AND V_{OL}



TEST CIRCUIT

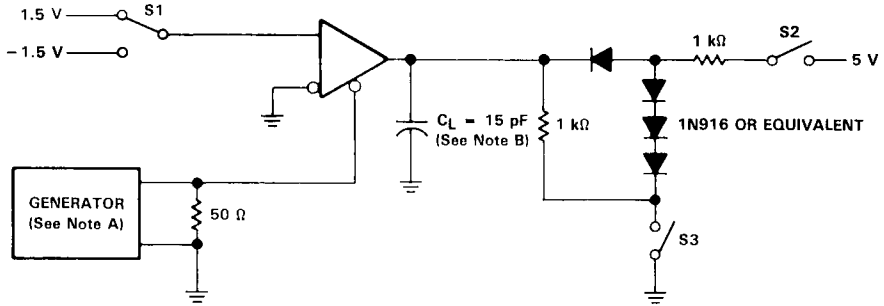


VOLTAGE WAVEFORMS

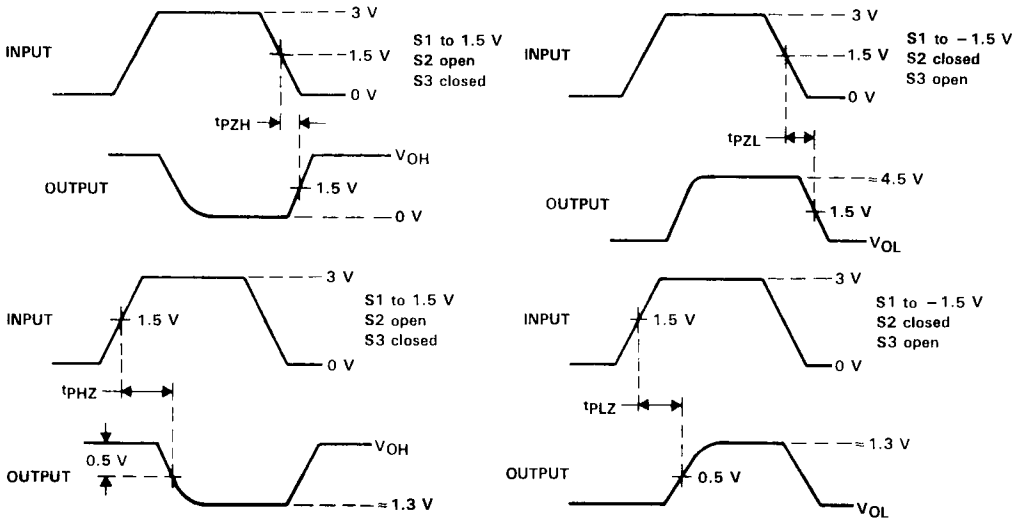
- NOTES: A. The input pulse is supplied by a generator having the following characteristics: PRR \leq 1 MHz, 50% duty cycle, $t_r \leq$ 10 ns, $t_f \leq$ 10 ns, $Z_{out} = 50 \Omega$.
B. C_L includes probe and jig capacitance.

FIGURE 7. RECEIVER PROPAGATION DELAY TIMES

PARAMETER MEASUREMENT INFORMATION



TEST CIRCUIT



VOLTAGE WAVEFORMS

- NOTES: A. The input pulse is supplied by a generator having the following characteristics: PRR \leq 1 MHz, 50% duty cycle, $t_r \leq$ 10 ns, $t_f \leq$ 10 ns, $Z_{out} = 50 \Omega$.
 B. C_L includes probe and jig capacitance.

FIGURE 8. RECEIVER OUTPUT ENABLE AND DISABLE TIMES

TYPICAL CHARACTERISTICS

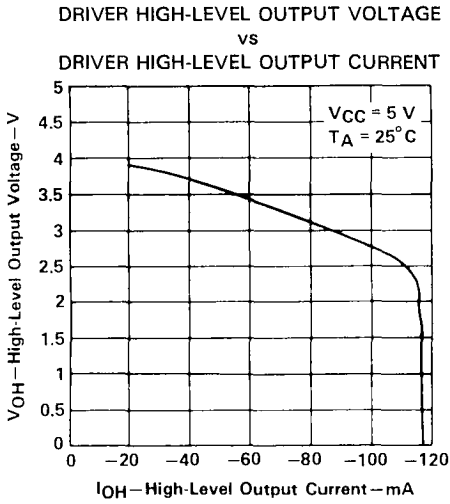


FIGURE 9

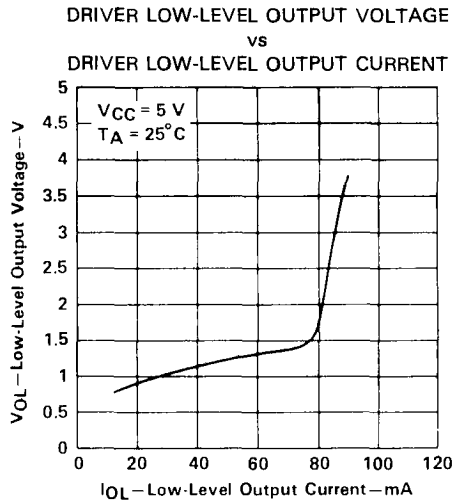


FIGURE 10

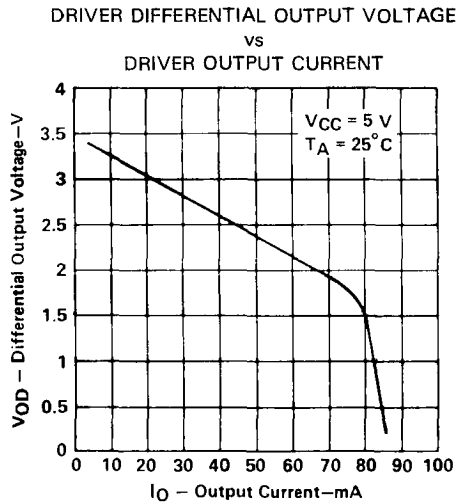


FIGURE 11

TYPICAL CHARACTERISTICS

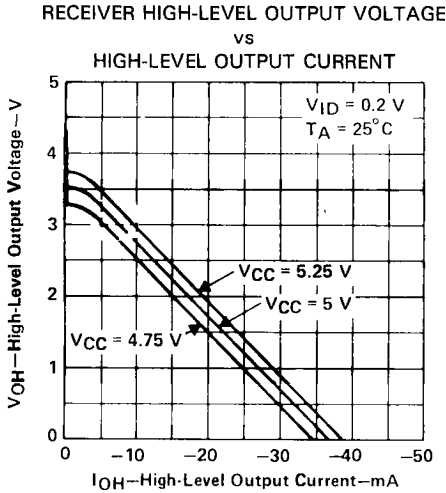


FIGURE 12

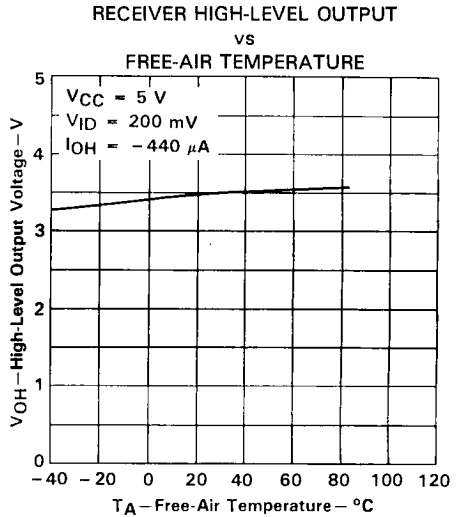


FIGURE 13

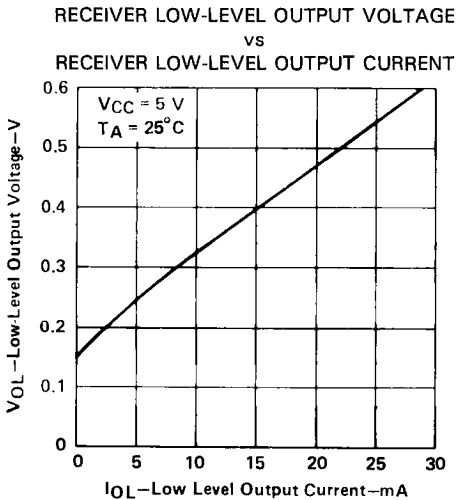


FIGURE 14

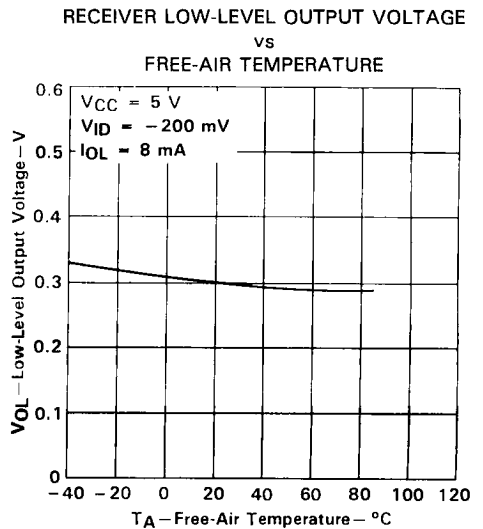


FIGURE 15

TYPICAL CHARACTERISTICS

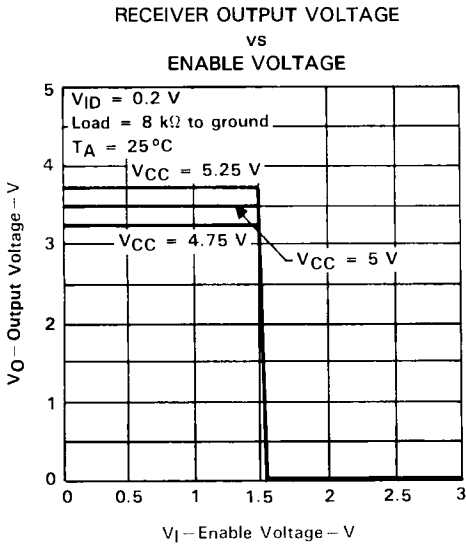


FIGURE 16

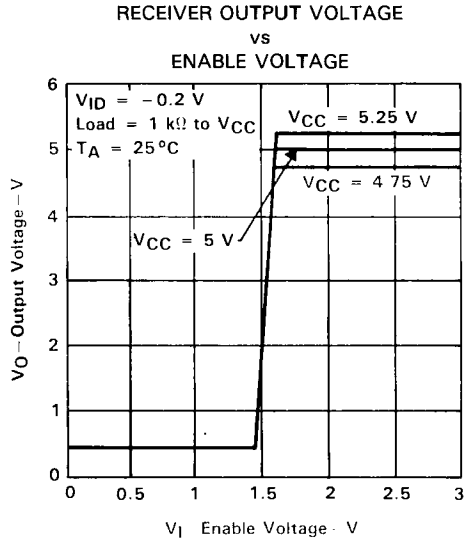
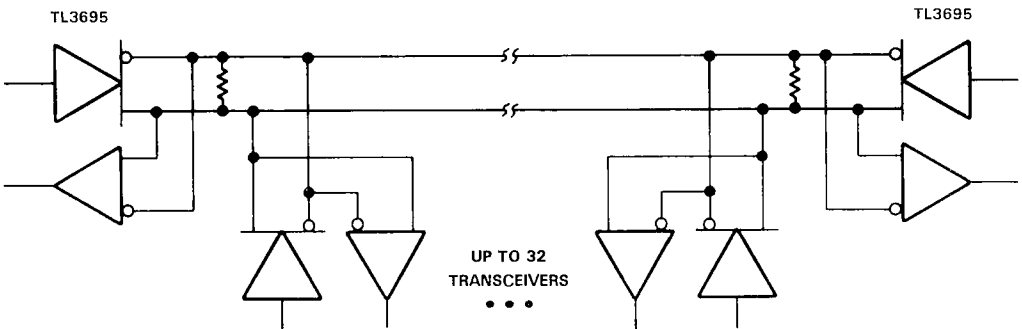


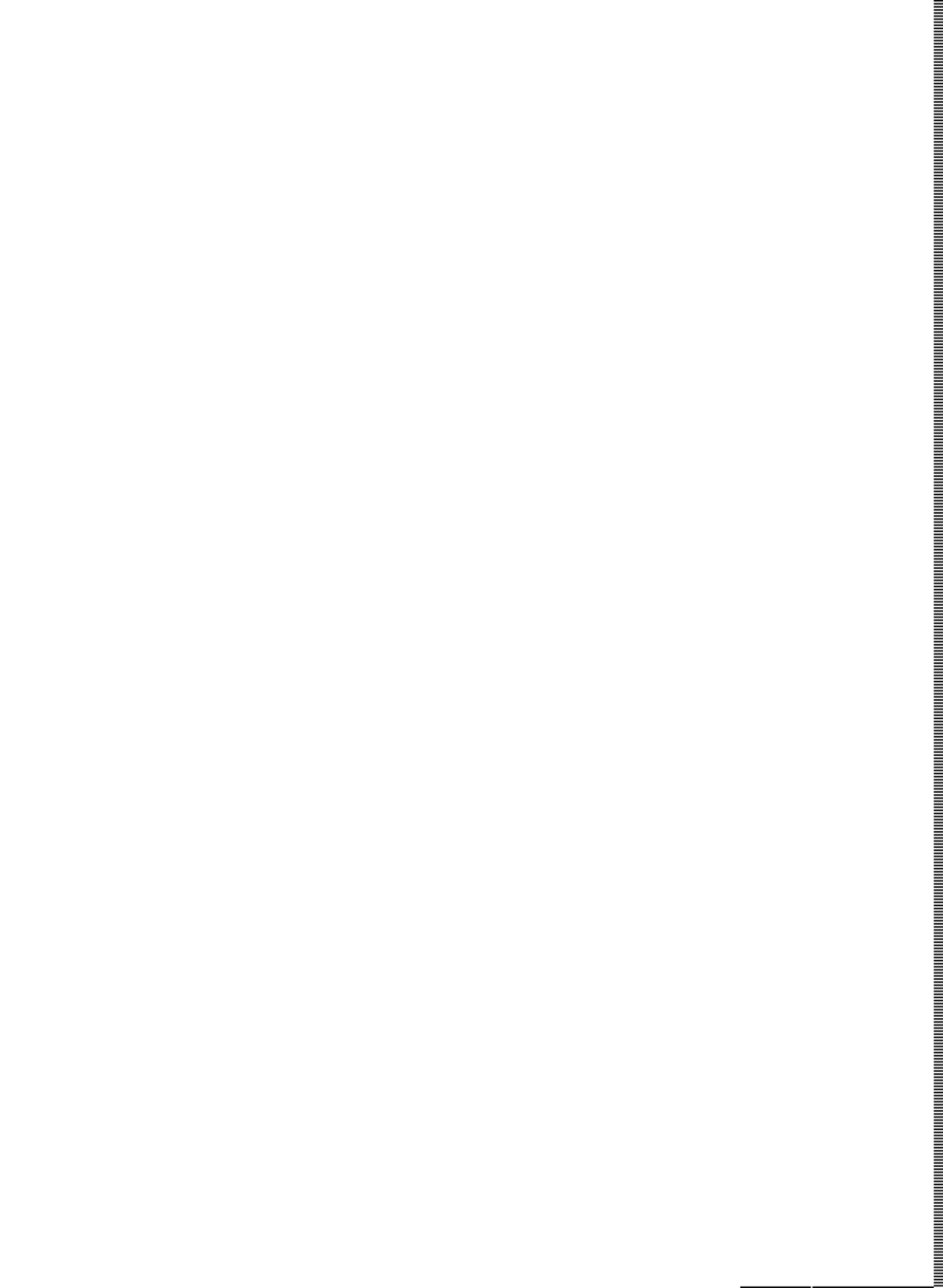
FIGURE 17

APPLICATION INFORMATION



NOTE: The line should be terminated at both ends in its characteristic impedance. Stub lengths off the main line should be kept as short as possible.

FIGURE 18. TYPICAL APPLICATION CIRCUIT

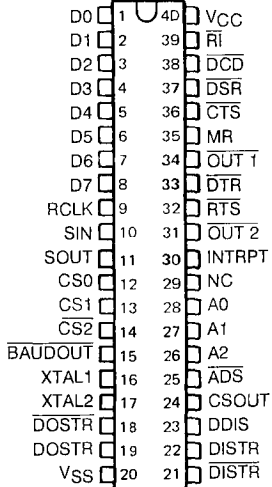


TL16C450 ASYNCHRONOUS COMMUNICATIONS ELEMENT

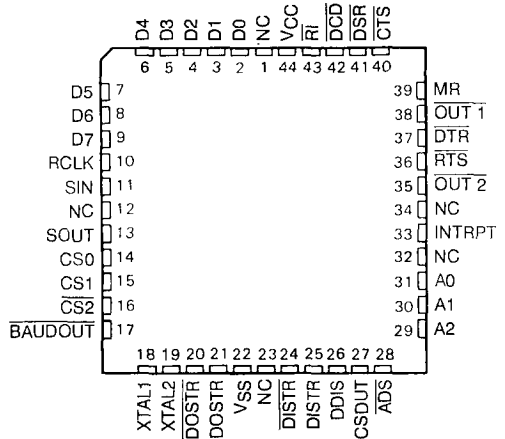
D3096, MARCH 1988 - REVISED APRIL 1989

- Programmable Baud Rate Generator Allows Division of Any Input Reference Clock by 1 to $(2^{16} - 1)$ and Generates an Internal 16 X Clock
- Full Double Buffering Eliminates the Need for Precise Synchronization
- Adds or Deletes Standard Asynchronous Communication Bits (Start, Stop, and Parity) to or from the Serial Data Stream
- Independent Receiver Clock Input
- Independently Controlled Transmit, Receive, Line Status, and Data Set Interrupts
- Fully Programmable Serial Interface Characteristics:
 - 5-, 6-, 7-, or 8-Bit Characters
 - Even-, Odd-, or No-Parity Bit Generation and Detection
 - 1-, 1 1/2-, or 2-Stop Bit Generation
 - Baud Generation (DC to 256 Kilobits per Second)
- False Start Bit Detection
- Complete Status Reporting Capabilities
- Three-State TTL Drive Capabilities for Bidirectional Data Bus and Control Bus
- Line Break Generation and Detection
- Internal Diagnostic Capabilities:
 - Loopback Controls for Communications Link Fault Isolation
 - Break, Parity, Overrun, Framing Error Simulation
- Full Prioritized Interrupt System Controls
- Modem Control Functions (\overline{CTS} , \overline{RTS} , \overline{DSR} , \overline{DTR} , \overline{RI} , and \overline{DCD})
- Easily Interfaces to Most Popular Microprocessors
- Faster Plug-In Replacement for National Semiconductor NS16C450

N DUAL-IN-LINE PACKAGE
(TOP VIEW)



FN PACKAGE
(TOP VIEW)



NC - No internal connection

description

The TL16C450 is a CMOS version of an Asynchronous Communications Element (ACE). It typically functions in a microcomputer system as a serial input/output interface.

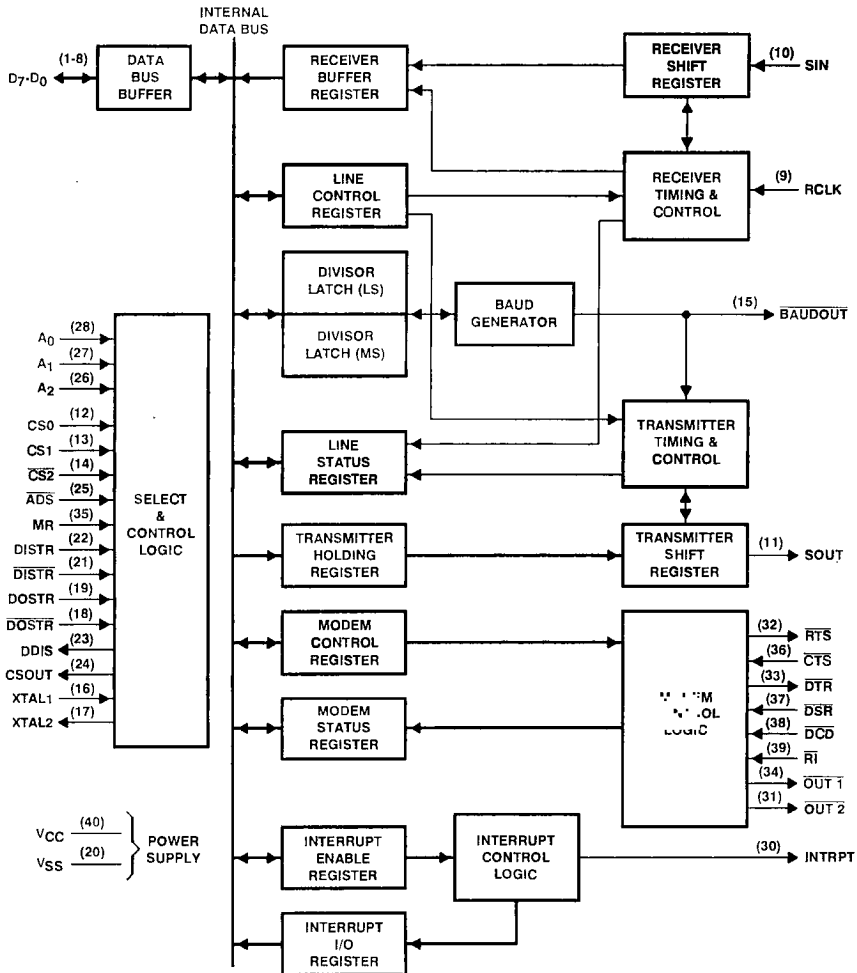
The TL16C450 performs serial-to-parallel conversion on data received from a peripheral device or modem and parallel-to-serial conversion on data received from its CPU. The CPU can read and report on the status of

TL16C450 ASYNCHRONOUS COMMUNICATIONS ELEMENT

the ACE at any point in the ACE's operation. Reported status information includes: the type of transfer operation in progress, the status of the operation, and any error conditions encountered.

The TL16C450 ACE includes a programmable, on-board, baud rate generator. This generator is capable of dividing a reference clock input by divisors from 1 to $(2^{16} - 1)$ and producing a 16 X clock for driving the internal transmitter logic. Provisions are also included to use this 16 X clock to drive the receiver logic. Also included in the ACE is a complete modem control capability and a processor interrupt system that may be software tailored to the user's requirements to minimize the computing required to handle the communications link.

block diagram



Pin numbers shown are for the N package.

TL16C450 ASYNCHRONOUS COMMUNICATIONS ELEMENT

NAME	PIN NO.†	I/O	DESCRIPTION
A0 A1 A2	28 [31] 27 [30] 26 [29]	I	Register Select. Three inputs used during read and write operations to select the ACE register to read from or write to. Refer to Table 1 for register addresses, also refer to the Address Strobe (ADS) signal description.
ADS	25 [28]	I	Address Strobe. When \overline{ADS} is active (low), the Register Select signals (A0, A1, and A2) and Chip Select signals (CS0, CS1, $\overline{CS2}$) drive the internal select logic directly; when high, the Register Select and Chip Select signals are held in the state they were in when the low-to-high transition of \overline{ADS} occurred.
BAUDOUT	15 [17]	O	Baud Out. 16 X clock signal for the transmitter section of the ACE. The clock rate is established by the reference oscillator frequency divided by a divisor specified by the Baud Generator Divisor Latches. BAUDOUT may also be used for the receiver section by tying this output to the RCLK input.
CS0 CS1 $\overline{CS2}$	12 [14] 13 [15] 14 [16]	I	Chip Select. When active (high and low, respectively), these three inputs select the ACE. Refer to the \overline{ADS} (Address Strobe) signal description.
CSOUT	24 [27]	O	Chip Select Out. When CSOUT is high, it indicates that the ACE has been selected by the Chip Select inputs (CS0, CS1, and $\overline{CS2}$). CSOUT is low when the chip is deselected.
CTS	36 [40]	I	Clear To Send. \overline{CTS} is a modem status signal whose condition can be checked by reading bit 4 (CTS) of the Modem Status Register. Bit 0 (DCTS) of the Modem Status Register indicates that this signal has changed state since the last read from the Modem Status Register. If the Modem Status Interrupt is enabled when \overline{CTS} changes state, an interrupt is generated.
D0 D1 D2 D3 D4 D5 D6 D7	1 [2] 2 [3] 3 [4] 4 [5] 5 [6] 6 [7] 7 [8] 8 [9]	I/O	Data Bus. Eight 3-state data lines provide a bidirectional path for data, control, and status information between the ACE and the CPU.
\overline{DCD}	38 [42]	I	Data Carrier Detect. \overline{DCD} is a modem status signal whose condition can be checked by reading bit 7 (DCD) of the Modem Status Register. Bit 3 (DDCD) of the Modem Status Register indicates that this signal has changed state since the last read from the Modem Status Register. If the Modem Status Interrupt is enabled when \overline{DCD} changes state, an interrupt is generated.
DDIS	23 [26]	O	Driver Disable. This output is active (high) when the CPU is not reading data. When active, this output can be used to disable an external transceiver.
\overline{DISTR} \overline{DISTR}	22 [25] 21 [24]	I	Data Input Strokes. When either input is active (high or low, respectively) while the ACE is selected, the CPU is allowed to read status information or data from a selected ACE register. Only one of these inputs is required for the transfer of data during a read operation; the other input should be tied in its inactive state (i.e., \overline{DISTR} tied low or \overline{DISTR} tied high).
\overline{DOSTR} \overline{DOSTR}	19 [21] 18 [20]	I	Data Output Strokes. When either input is active (high or low, respectively), while the ACE is selected, the CPU is allowed to write control words or data into a selected ACE register. Only one of these inputs is required to transfer data during a write operation; the other input should be tied in its inactive state (i.e., \overline{DOSTR} tied low or \overline{DOSTR} tied high).
DSR	37 [41]	I	Data Set Ready. \overline{DSR} is a modem status signal whose condition can be checked by reading bit 5 (DSR) of the Modem Status Register. Bit 1 (DDSR) of the Modem Status Register indicates that this signal has changed state since the last read from the Modem Status Register. If the modem status interrupt is enabled when the \overline{DSR} changes state, an interrupt is generated.
\overline{DTR}	33 [37]	O	Data Terminal Ready. When active (low), \overline{DTR} informs a modem or data set that the ACE is ready to establish communication. \overline{DTR} is placed in the active state by setting the DTR bit of the Modem Control Register to a high level. \overline{DTR} is placed in the inactive state either as a result of a Master Reset or during loop mode operation or resetting bit 0 (DTR) of the Modem Control Register.
INTRPT	30 [33]	O	Interrupt. When active (high), INTRPT informs the CPU that the ACE has an interrupt to be serviced. Four conditions that cause an interrupt to be issued are; a receiver error, received data is available, the transmitter holding register is empty, and an enabled modem status interrupt. The INTRPT output is reset (inactivated) either when the interrupt is serviced or as a result of a Master Reset.

† Pin numbers shown in brackets are for the FN package.

TL16C450 ASYNCHRONOUS COMMUNICATIONS ELEMENT

PIN		I/O	DESCRIPTION
NAME	NO.†		
MR	35 [39]	I	Master Reset. When active (high), MR clears most ACE registers and sets the state of various output signals. Refer to Table 2, ACE Reset Functions.
OUT 1 OUT 2	34 [38] 31 [35]	O	Outputs 1 and 2. User-designated output pins that are set to their active states by setting their respective Modem Control Register bits (OUT 1 and OUT 2) high. OUT 1 and OUT 2 are set to their inactive (high) states as a result of Master Reset or during loop mode operations or by resetting bit 2 (OUT 1) or bit 3 (OUT 2) of the MCR.
RCLK	9 [10]	I	Receiver Clock. The 16 X baud rate clock for the receiver section of the ACE.
Ri	39 [43]	I	Ring Indicator. Ri is a modem status signal whose condition can be checked by reading bit 6 (RI) of the Modem Status Register. Bit 2 (TERI) of the Modem Status Register indicates that the Ri input has transitioned from a low to a high state since the last read from the Modem Status Register. If the Modem Status Interrupt is enabled when this transition occurs, an interrupt is generated.
RTS	32 [36]	O	Request to Send. When active, informs the modem or data set that the ACE is ready to transmit data. RTS is set to its active state by setting the RTS Modem Control Register bit and is set to its inactive (high) state either as a result of a Master Reset or during loop mode operations or by resetting bit 1 (RTS) of the MCR.
SIN	10 [11]	I	Serial Input. Serial data input from a connected communications device.
SOUT	11 [13]	O	Serial Output. Composite serial data output to a connected communication device. SOUT is set to the Marking (logic 1) state as a result of Master Reset.
VCC	40 [44]		5-V Supply Voltage
VSS	20 [22]		Supply Common
XTAL1 XTAL2	16 [18] 17 [19]	I/O	External Clock. Connects the ACE to the main timing reference (clock or crystal).

† Pin numbers shown in brackets are for the FN package.

absolute maximum ratings over free-air temperature range (unless otherwise noted)

Supply voltage, VCC (see Note 1)	−0.5 V to 7 V
Input voltage range at any input, Vi	−0.5 V to 7 V
Output voltage range, VO	−0.5 V to 7 V
Continuous total dissipation at (or below) 70°C free-air temperature:	
FN package	1100 mW
N package	800 mW
Operating free-air temperature range	0°C to 70°C
Storage temperature range	−65°C to 150°C
Case temperature for 10 seconds: FN package	260°C
Lead temperature 1,6 mm (1/16 inch) from case for 10 seconds: N package	260°C

NOTE 1: All voltage values are with respect to VSS.

recommended operating conditions

	MIN	NOM	MAX	UNIT
Supply voltage, VCC	4.75	5	5.25	V
High-level input voltage, ViH		2	VCC	V
Low-level input voltage, ViL	−0.5		0.8	V
Operating free-air temperature, TA	0		70	°C

electrical characteristics over recommended ranges of supply voltage and operating free-air temperature (unless otherwise noted)

PARAMETER		TEST CONDITIONS	MIN	TYP ^T	MAX	UNIT
V _{OH} [‡]	High-level output voltage	I _{OH} = -1 mA	2	4		V
V _{OL} [‡]	Low-level output voltage	I _{OL} = 1.6 mA			0.4	V
I _{ikg}	Input leakage current	V _{CC} = 5.25 V, V _{SS} = 0, V _I = 0 to 5.25 V, All other pins floating			±10	μA
I _{OZ}	High-impedance output current	V _{CC} = 5.25 V, V _{SS} = 0, V _O = 0 V to 5.25 V, chip selected, write mode or, chip deselected			±20	μA
I _{CC}	Supply current	V _{CC} = 5.25 V, T _A = 25°C, SIN, DSR, DCD, CTS, and R _I at 2 V, All other inputs at 0.8 V, XTAL1 at 4 MHz, No load on outputs Baud rate = 50 kilobits per second			10	mA
C _{XTAL1}	Clock input capacitance			15	20	pF
C _{XTAL2}	Clock output capacitance			20	30	pF
C _I	Input capacitance	V _{CC} = 0, V _{SS} = 0, f = 1 MHz, T _A = 25°C, All other pins grounded		6	10	pF
C _O	Output capacitance			10	20	pF

^T All typical values are at V_{CC} = 5 V, T_A = 25°C

[‡] These parameters apply for all outputs except XTAL2

system timing requirements over recommended ranges of supply voltage and operating free-air temperature

PARAMETER		FIGURE	MIN	MAX	UNIT
t _{cR}	Cycle time, read (t _{w7} + t _{d8} + t _{d9})		175		ns
t _{cW}	Cycle time, write (t _{w6} + t _{d5} + t _{d6})		175		ns
t _{w5}	Pulse duration, address strobe low	2, 3	15		ns
t _{w6}	Pulse duration, write strobe	2	80		ns
t _{w7}	Pulse duration, read strobe	3	80		ns
t _{wMR}	Pulse duration, master reset				ns
t _{su1}	Setup time, address	2, 3	15		ns
t _{su2}	Setup time, chip select	2, 3	15		ns
t _{su3}	Setup time, data	2	15		ns
t _{h1}	Hold time, address	2, 3	0		ns
t _{h2}	Hold time, chip select	2, 3	0		ns
t _{h3}	Hold time, write to chip select	2	20		ns
t _{h4}	Hold time, write to address	2	20		ns
t _{h5}	Hold time, data	2	15		ns
t _{h6}	Hold time, read to chip select	3	20		ns
t _{h7}	Hold time, read to address	3	20		ns
t _{d4} [§]	Delay time, select to write	2	15		ns
t _{d5} [§]	Delay time, address to write	2	15		ns
t _{d6}	Delay time, write cycle	2	80		ns
t _{d7} [§]	Delay time, chip select to read	3	15		ns
t _{d8} [§]	Delay time, address to read	3	15		ns
t _{d9}	Delay time, read cycle	3	80		ns

[§] Only applies when ADS is low

TL16C450

ASYNCHRONOUS COMMUNICATIONS ELEMENT

system switching characteristics over recommended ranges of supply voltage and operating free-air temperature

PARAMETER	FIGURE	TEST CONDITIONS	MIN	MAX	UNIT
t_{w1} Pulse duration, clock high	1	$f = 9$ MHz maximum	50		ns
t_{w2} Pulse duration, clock low	1	$f = 9$ MHz maximum	50		ns
t_{d3} Delay time, select to CS output	2,3	$C_L = 100$ pF		70	ns
t_{d10} Delay time, read to data	3	$C_L = 100$ pF		60	ns
t_{d11} Delay time, read to floating data	3	$C_L = 100$ pF	0	80	ns
$t_{dis(R)}$ Read to driver disable	3	$C_L = 100$ pF		60	ns

baud generator switching requirements over recommended ranges of supply voltage and operating free-air temperature

PARAMETER	FIGURE	TEST CONDITIONS	MIN	MAX	UNIT
t_{w3} Pulse duration, BAUDOUT low	1	$f = 6.25$ MHz, CLK $\div 1$, $C_L = 100$ pF	80		ns
t_{w4} Pulse duration, BAUDOUT high	1	$f = 6.25$ MHz, CLK $\div 1$, $C_L = 100$ pF	80		ns
t_{d1} Delay time, BAUDOUT low to high	1	$C_L = 100$ pF		125	ns
t_{d2} Delay time, BAUDOUT high to low	1	$C_L = 100$ pF		125	ns

receiver switching characteristics over recommended ranges of supply voltage and operating free-air temperature

PARAMETER	FIGURE	TEST CONDITIONS	MIN	MAX	UNIT
t_{d12} Delay time, RCLK to sample	4			100	ns
t_{d13} Delay time, stop to set interrupt	4		1	1	RCLK cycles
t_{d14} Delay time, read RBR/LSR to reset interrupt	4	$C_L = 100$ pF		140	ns

transmitter switching characteristics over recommended ranges of supply voltage and operating free-air temperature

PARAMETER	FIGURE	TEST CONDITIONS	MIN	MAX	UNIT
t_{d15} Delay time, initial write THR to transmit start	5		8	24	baudout cycles
t_{d16} Delay time, stop to interrupt	5		8	8	baudout cycles
t_{d17} Delay time, write THR to reset interrupt	5	$C_L = 100$ pF		140	ns
t_{d18} Delay time, initial write to interrupt (THRE)	5		16	32	baudout cycles
t_{d19} Delay time, read IIR to reset interrupt (THRE)	5	$C_L = 100$ pF		140	ns

modem control switching characteristics over recommended ranges of supply voltage and operating free-air temperature

PARAMETER	FIGURE	TEST CONDITIONS	MIN	MAX	UNIT
t_{d20} Delay time, write MR to set interrupt	6	$C_L = 100$ pF		100	ns
t_{d21} Delay time, modem input to set interrupt	6	$C_L = 100$ pF		170	ns
t_{d22} Delay time, read MSR to reset interrupt	6	$C_L = 100$ pF		140	ns

PARAMETER MEASUREMENT INFORMATION

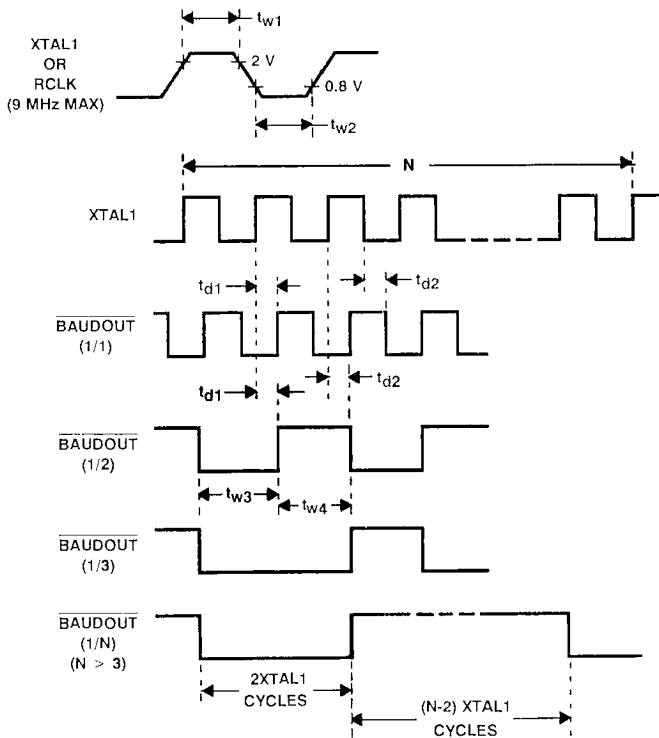
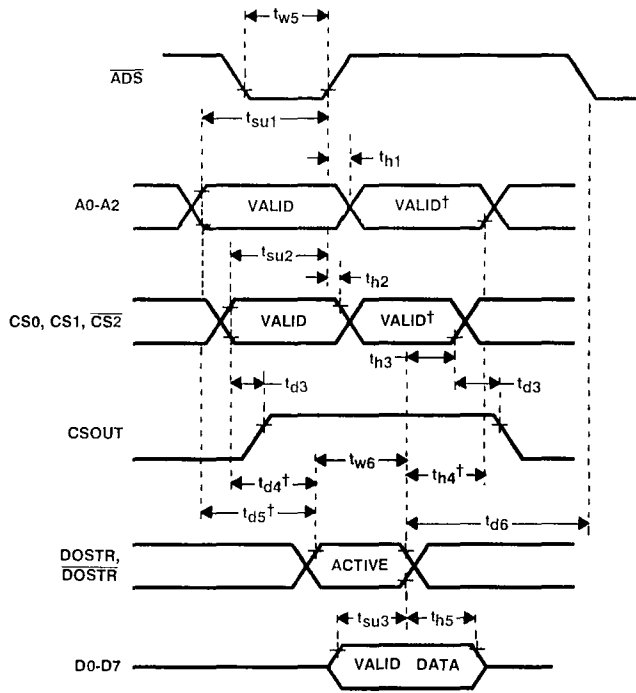


FIGURE 1. BAUD GENERATOR TIMING

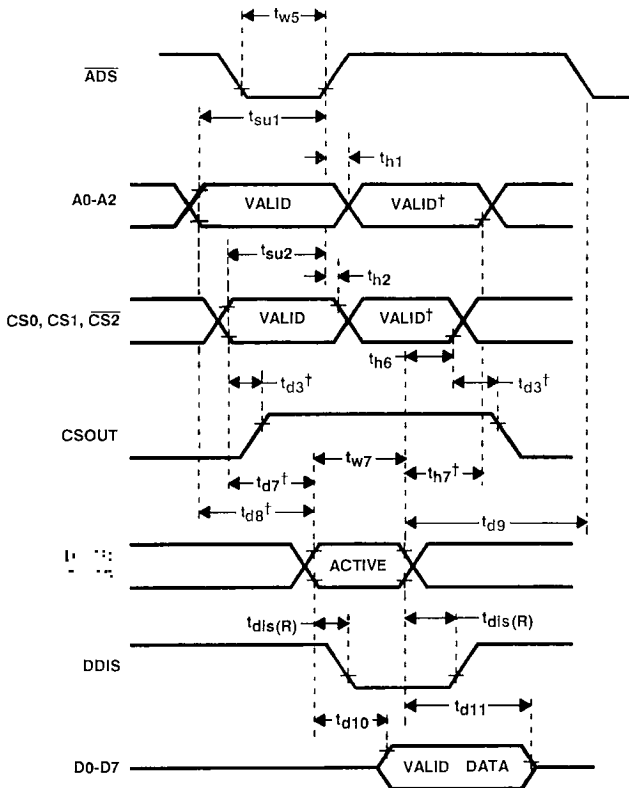
PARAMETER MEASUREMENT INFORMATION



† Applicable only when \overline{ADS} is tied low.

FIGURE 2. WRITE CYCLE TIMING

PARAMETER MEASUREMENT INFORMATION



† Applicable only when \overline{ADS} is tied low.

FIGURE 3. READ CYCLE TIMING

PARAMETER MEASUREMENT INFORMATION

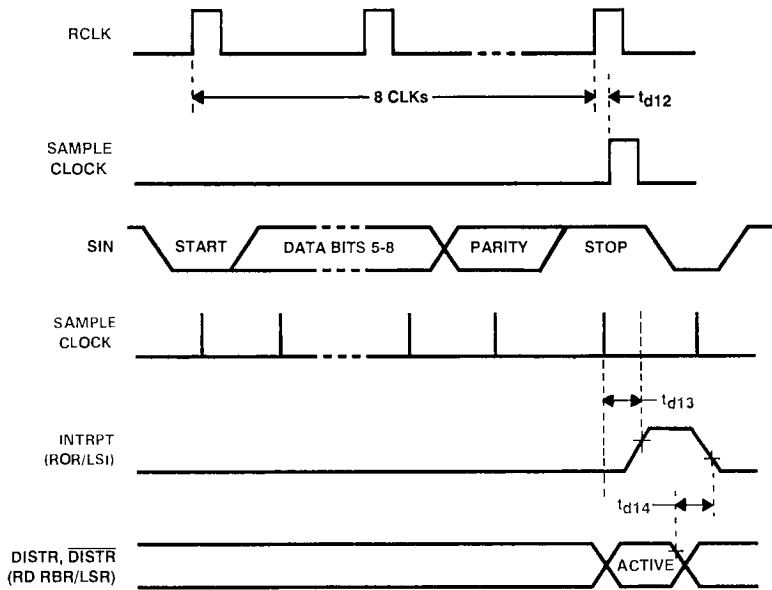


FIGURE 4. RECEIVER TIMING

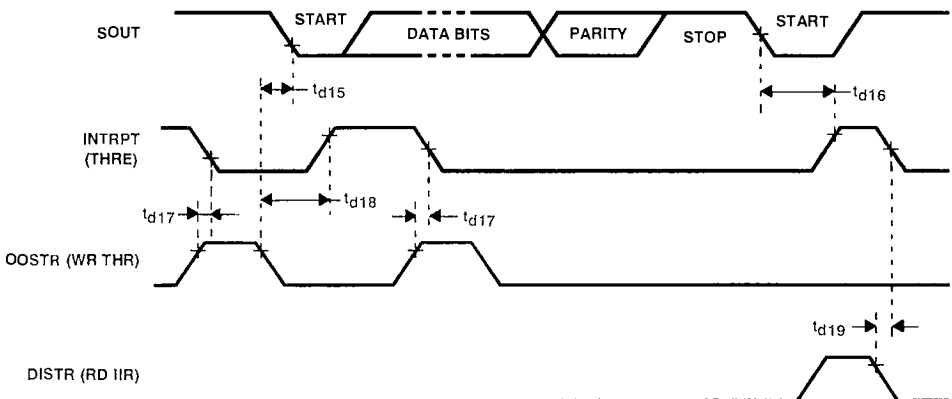


FIGURE 5. TRANSMITTER TIMING

PARAMETER MEASUREMENT INFORMATION

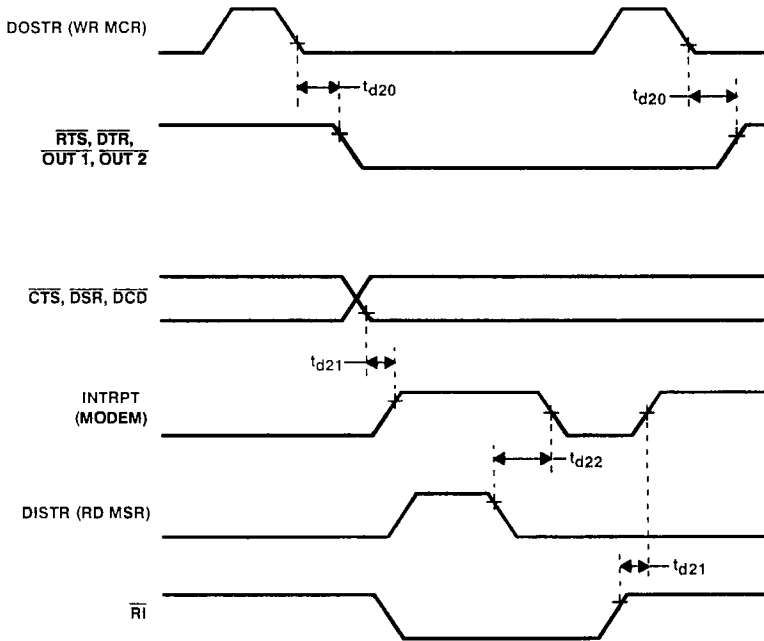


FIGURE 6. MODEM CONTROL TIMING

TL16C450 ASYNCHRONOUS COMMUNICATIONS ELEMENT

TYPICAL APPLICATION DATA

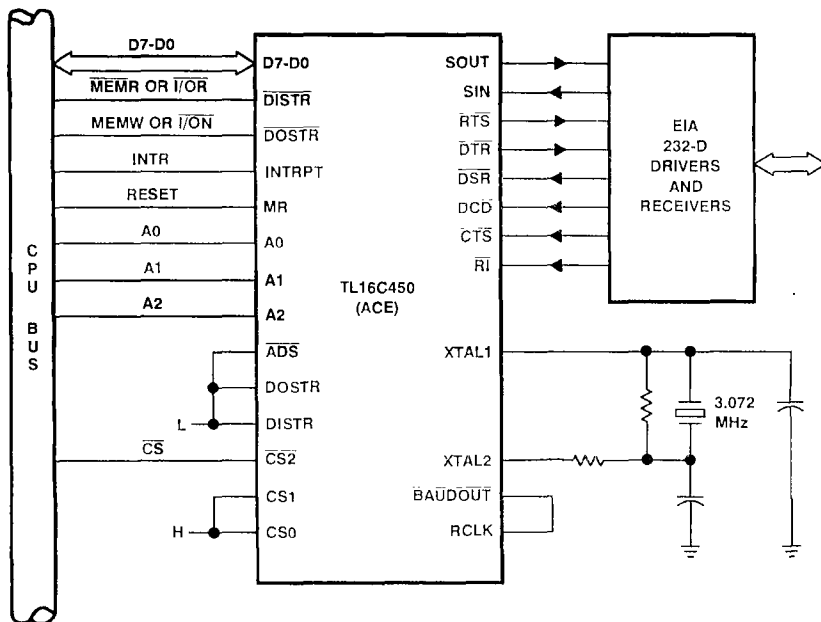


FIGURE 7. BASIC TL16C450 CONFIGURATION

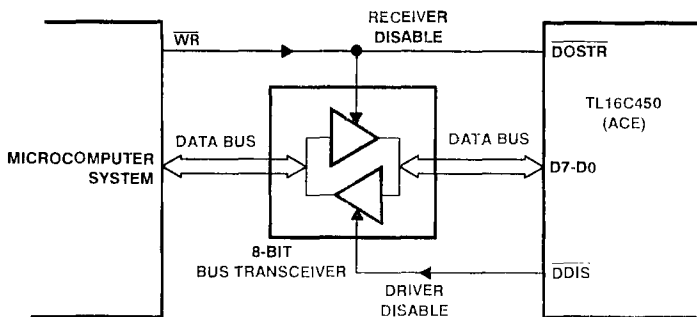


FIGURE 8. TYPICAL INTERFACE FOR A HIGH-CAPACITY DATA BUS

TYPICAL APPLICATION DATA

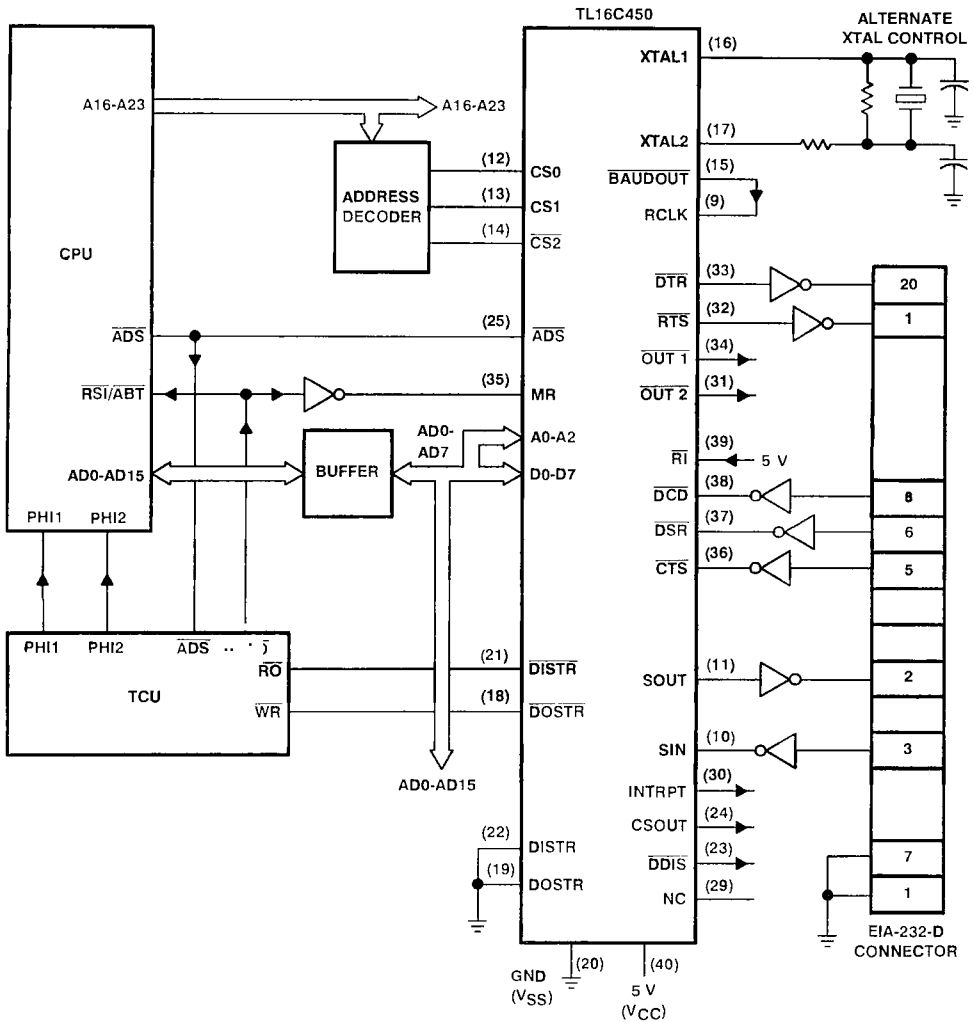


FIGURE 9. TYPICAL TL16C450 CONNECTION TO A CPU

PRINCIPLES OF OPERATION

TABLE 1. REGISTER SELECTION

DLAB†	A2	A1	A0	REGISTER
0	L	L	L	Receiver buffer (read), transmitter holding register (write)
0	L	L	H	Interrupt enable
X	L	H	L	Interrupt identification (read only)
X	L	H	H	Line control
X	H	L	L	Modem control
X	H	L	H	Line status
X	H	H	L	Modem status
X	H	H	H	Scratch
1	L	L	L	Divisor latch (LSB)
1	L	L	H	Divisor Latch (MSB)

† The Divisor Latch Access Bit (DLAB) is the most significant bit of the Line Control Register. The DLAB signal is controlled by writing to this bit location (see Table 3).

TABLE 2. ACE RESET FUNCTIONS

REGISTER/SIGNAL	RESET CONTROL	RESET STATE
Interrupt Enable Register	Master Reset	All bits low (0-3 forced and 4-7 permanent)
Interrupt Identification Register	Master Reset	Bit 0 is high, bits 1 and 2 are low, and bits 3-7 are permanently low
Line Control Register	Master Reset	All bits low
Modem Control Register	Master Reset	All bits low
Line Status Register	Master Reset	Bits 5 and 6 are high, all other bits are low
Modem Status Register	Master Reset	Bits 0-3 are low, bits 4-7 are input signals
SOUT	Master Reset	High
INTRPT (Receiver Error Flag)	Read L	Low
INTRPT (Received Data Available)	Read RBR/MR	Low
INTRPT (Transmitter Holding Register Empty)	Read IIR/Write THR/MR	Low
INTRPT (Modem Status Changes)	Read MSR/MR	Low
OUT 2	Master Reset	High
RTS	Master Reset	High
DTR	Master Reset	High
OUT 1	Master Reset	High
Scratch Register	Master Reset	No effect
Divisor Latch (LSB and MSB) Registers	**	No effect
Receiver Buffer Register	**	No effect
Transmitter Holding Register	**	No effect

PRINCIPLES OF OPERATION

accessible registers

The system programmer, via the CPU, has access to and control over any of the ACE registers that are summarized in Table 3. These registers are used to control ACE operations, receive data, and transmit data. Descriptions of these registers follow Table 3.

TABLE 3. SUMMARY OF ACCESSIBLE REGISTERS

Bit No.	REGISTER ADDRESS										
	0 DLAB=0	0 DLAB=0	1 DLAB=0	2	3	4	5	6	7	0 DLAB=1	1 DLAB=1
	Receiver Buffer Register (Read)	Transmitter Holding Register (Write Only)	Interrupt Enable Register	Interrupt Ident. Register (Read Only)	Line Control Register	MODEM Control Register	Line Status Register	MODEM Status Register	Scratch Register	Divisor Latch (LSB)	Divisor Latch (MSB)
	THR	IER	IIR	LCR	MCR	LSR	MSR	SCR	DLL	DLM	
0	Data Bit 0*	Data Bit 0	Enable Received Data	"0" if Interrupt Pending	Word Length Select Bit 0 (WLS0)	Data Terminal Ready (DTR)	Data Ready (DR)	Delta Clear to Send (DCTS)	Bit 0	Bit 0	Bit 8
1	Data Bit 1	Data Bit 1	Enable Transmitter Holding Register Empty Interrupt (ETBEI)	Interrupt ID Bit (0)	Word Length Select Bit 1 (WLS1)	Request to Send (RTS)	Overrun Error (OE)	Delta Data Set Ready (DDSR)	Bit 1	Bit 1	Bit 9
2	Data Bit 2	Data Bit 2	Enable Receiver Line Status Interrupt (EDSSI)	Interrupt ID Bit (1)	Number of Stop Bits (STB)	Out 1	Parity Error (PE)	Trailing Ring Indicator (TRI)	Bit 2	Bit 2	Bit 10
3	Data Bit 3	Data Bit 3	Even Parity Select (EPS)	0	Parity Enable (PEN)	Out 2	Framing Error (FE)	Delta Data Set Ready (DDSR)	Bit 3	Bit 3	Bit 11
Data Bit 4	Data Bit 4	0	0	Even Parity Select (EPS)	Loop	Break Interrupt (BI)	Clear to Send (CTS)	Bit 4	Bit 4	Bit 12	
5	Data Bit 5	Data Bit 5	0	0	Stick Parity	0	Transmitter Empty (TEMT)	Carrier Detect (CD)	Bit 5	Bit 5	Bit 13
6	Data Bit 6	Data Bit 6	0	0	Set Break	0	Transmitter Empty (TEMT)	Ring Indicator (RI)	Bit 6	Bit 6	Bit 14
7	Data Bit 7	Data Bit 7	0	0	Divisor Latch Access Bit (DLAB)	0	0	Data Set Ready (DSR)	Bit 7	Bit 7	Bit 15

* Bit 0 is the least significant bit. It is the first bit serially transmitted or received.

PRINCIPLES OF OPERATION

receiver buffer register (RBR)

The ACE's receiver section consists of a Receiver Shift Register and a Receiver Buffer Register. Timing is supplied by the 16 X Receiver Clock (RCLK). Receiver section control is a function of the ACE's Line Control Register.

The ACE's Receiver Shift Register receives serial data from the Serial Input (SIN) pin. The Receiver Shift Register then converts the data to a parallel form and loads it into the Receiver Buffer Register. When a character is placed in the Receiver Buffer Register and the Received Data Available interrupt is enabled, an interrupt is generated. This interrupt is cleared when the data is read out of the Receiver Buffer Register.

transmitter holding register (THR)

The ACE's transmitter section consists of a Transmitter Holding Register and a Transmitter Shift Register. Timing is supplied by the Baud Out (BAUDOUT) clock signal. Transmitter section control is a function of the ACE's Line Control Register.

The ACE Transmitter Holding Register receives data off the Internal Data Bus and, when the shift register is idle, moves it into the Transmitter Shift Register. The Transmitter Shift Register serializes the data and outputs it at the Serial Output (SOUT). If the Transmitter Holding Register is empty and the Transmitter Holding Register Empty (THRE) interrupt is enabled, an interrupt is generated. This interrupt is cleared when a character is loaded into the register.

Interrupt enable register (IER)

The Interrupt Enable Register enables each of the four types of interrupts (refer to Table 4) and the INTRPT output signal in response to an interrupt generation. The Interrupt Enable Register can also be used to disable the interrupt system by setting bits 0 through 3 to logic 0. The contents of this register are summarized in Table 3 and are described below.

Bit 0. This bit, when set to logic 1, enables the Received Data Available interrupt.

Bit 1. This bit, when set to logic 1, enables the Transmitter Holding Register Empty interrupt.

Bit 2. This bit, when set to logic 1, enables the Receiver Line Status interrupt.

Bit 3. This bit, when set to logic 1, enables the Modem Status interrupt.

Bits 4 thru 7. Bits 4 through 7 in the Interrupt Enable Register are not used and are always set to logic 0.

PRINCIPLES OF OPERATION

interrupt identification register (IIR)

The ACE has an on-chip interrupt generation and prioritization capability that permits a flexible interface with most microprocessors.

The ACE provides four prioritized levels of interrupts:

- Priority 1 – Receiver line status (highest priority)
- Priority 2 – Receiver data ready
- Priority 3 – Transmitter holding register empty
- Priority 4 – Modem status (lowest priority)

When an interrupt is generated, the Interrupt Identification Register indicates that an interrupt is pending and the type of that interrupt in its three least significant bits (bits 0, 1, and 2). The contents of this register are summarized in Table 3 and described in Table 4.

Bit 0. This bit can be used either in a hardwire-prioritized, or polled interrupt system. If this bit is a logic 0, an interrupt is pending. When bit 0 is a logic 1, no interrupt is pending.

Bits 1 and 2. These two bits are used to identify the highest priority interrupt pending, as indicated in Table 4.

Bits 3 thru 7. Bits 3 through 7 in the Interrupt Identification Register are not used and are always set at logic 0.

TABLE 4. INTERRUPT CONTROL FUNCTIONS

INTERRUPT IDENTIFICATION REGISTER			PRIORITY LEVEL	INTERRUPT TYPE	INTERRUPT SOURCE	INTERRUPT RESET METHOD
BIT 2	BIT 1	BIT 0				
0	0	1	None	None	None	—
1	1	0	1	Receiver line status	Overrun error, parity error, framing error or break interrupt	Reading the Line Status register
1	0	0	2	Received data available	Receiver data available	Reading the Receiver buffer Buffer register
0	1	0	3	Transmitter Holding register empty	Transmitter Holding register empty	Reading the Interrupt Identification register (if source of interrupt) or writing into the Transmitter Holding register
0	0	0	4	Modem status	Clear to Send, Data Set Ready, Ring Indicator, or Data Carrier Detect	Reading the Modem Status register

PRINCIPLES OF OPERATION

line control register (LCR)

The system programmer controls the format of the asynchronous data communication exchange through the Line Control register. In addition, the programmer is able to retrieve, inspect, and modify the contents of the Line Control register; this eliminates the need for separate storage of the line characteristics in system memory. The contents of this register are summarized in Table 3 and are described below.

Bits 0 and 1. These two bits specify the number of bits in each transmitted or received serial character. These bits are encoded as follows:

Bit 1	Bit 0	Word Length
0	0	5 Bits
0	1	6 Bits
1	0	7 Bits
1	1	8 Bits

Bit 2. This bit specifies either one, one and one-half, or two Stop bits in each transmitted character. If bit 2 is a logic 0, one Stop bit is generated in the data. If bit 2 is a logic 1, the number of Stop bits generated is dependent on the word length selected with bits 0 and 1. The Receiver checks the first Stop bit only, regardless of the number of Stop bits selected. The number of Stop bits generated, in relation to word length and bit 2, is shown in the following.

Bit 2	Word Length Selected by Bits 1 and 2	Number of Stop Bits Generated
0	Any word length	1
1	5 bits	1 1/2
1	6 bits	2
1	7 bits	2
1	8 bits	2

Bit 3. This bit is the Parity Enable bit. When bit 3 is a logic 1, a Parity bit is generated in transmitted data between the last data word bit and the first stop bit. In received data, if bit 3 is a logic 1, parity is checked. When bit 3 is a logic 0, no parity is generated or checked.

Bit 4. Bit 4 is the Even Parity Select bit. When parity is enabled by bit 3: a logic 1 in bit 4 produces Even Parity (an even number of logic 1s in the data and parity bits) and a logic 0 in bit 4 produces Odd Parity (an odd number of logic 1s).

Bit 5. This is the Stick parity bit. When bits 3, 4, and 5 are logic 1s, the Parity bit is transmitted and checked as a logic 0. When bits 3 and 5 are logic 1s and bit 4 is a logic 0, the Parity bit is transmitted and checked as a logic 1.

Bit 6. This bit is the Break Control bit. Bit 6 is set to a logic 1 to force a break condition, i.e., a condition where the Serial Output (SOUT) pin is forced to the spacing (logic 0) state. When bit 6 is set to a logic 0, the break condition is disabled. The break condition has no effect on the transmitter logic, it only effects the serial output.

Bit 7. This bit is the Divisor Latch Access bit (DLAB). Bit 7 must be set to a logic 1 to access the Divisor Latches of the Baud Generator during a read or write. Bit 7 must be set to a logic 0 during a read or write to access the Receiver Buffer, the Transmitter Holding register, or the Interrupt Enable register.

modem control register (MCR)

The Modem Control register is an 8-bit register that controls an interface with a modem, data set, or peripheral device that is emulating a modem. The contents of this register are summarized in Table 3 and are described below.

Bit 0. Bit 0 (DTR) controls the Data Terminal Ready ($\overline{\text{DTR}}$) output. Setting this bit to a logic 1 forces the $\overline{\text{DTR}}$ output to its active state (low). When bit 0 is set to a logic 0, $\overline{\text{DTR}}$ goes high.

Bit 1. Bit 1 (RTS) controls the Request to Send ($\overline{\text{RTS}}$) output in a manner identical to Bit 0's control over the $\overline{\text{DTR}}$ output.

Bit 2. Bit 2 (OUT 1) controls the Output 1 ($\overline{\text{OUT 1}}$) signal, a user designated output signal, in a manner identical to Bit 0's control over the $\overline{\text{DTR}}$ output.

Bit 3. Bit 3 (OUT 2) controls the Output 2 ($\overline{\text{OUT 2}}$) signal, a user designated output signal, in a manner identical to Bit 0's control over the $\overline{\text{DTR}}$ output.

Bit 4. Bit 4 provides a local loopback feature for diagnostic testing of the ACE. When this bit is set to a logic high, the following occurs:

1. The transmitter Serial Output (SOUT) is set high.
2. The receiver Serial Input (SIN) is disconnected.
3. The output of the Transmitter Shift register is looped back into the Receiver Shift register input.
4. The four modem control inputs ($\overline{\text{CTS}}$, $\overline{\text{DSR}}$, $\overline{\text{DCD}}$, and $\overline{\text{RI}}$) are disconnected.
5. The four modem control outputs ($\overline{\text{DTR}}$, $\overline{\text{RTS}}$, $\overline{\text{OUT 1}}$, and $\overline{\text{OUT 2}}$) are internally connected to the four modem control inputs.
6. The four modem control output pins are forced to their inactive states (high).

In the diagnostic mode, data that is transmitted is immediately received. This allows the processor to verify the transmit- and receive-data paths to the ACE. The receiver and transmitter interrupts are fully operational. The modem control interrupts are also operational but the modem control interrupt's sources are now the lower four bits of the Modem Control register instead of the four modem control inputs. All interrupts are still controlled by the Interrupt Enable register.

Bit 5 through 7. These bits are set to logic 0.

line status register (LSR)[†]

The Line Status Register provides information to the CPU concerning the status of data transfers. The contents of this register are summarized in Table 3 and are described below.

Bit 0. Bit 0 is the Data Ready (DR) indicator for the receiver. This bit is set to a logic 1 condition whenever a complete incoming character has been received and transferred into the Receiver Buffer register and is reset to logic 0 by reading the Receiver Buffer Register.

Bit 1[‡]. Bit 1 is the Overrun Error (OE) indicator. When this bit is set to logic 1, it indicates that before the character in the Receiver Buffer register was read, it was overwritten by the next character transferred into the register. The OE indicator is reset every time the CPU reads the contents of the Line Status register.

Bit 2[‡]. Bit 2 is the Parity Error (PE) indicator. When this bit is set to logic 1, it indicates that the parity of the received data character does not match the parity selected in the Line Control Register (bit 4). The PE bit is reset every time the CPU reads the contents of the Line Status register.

Bit 3[‡]. Bit 3 is the Framing Error (FE) indicator. When this bit is set to logic 1, it indicates that the received character did not have a valid (logic 1) Stop bit. The FE bit is reset every time the CPU reads the contents of the Line Status register.

[†] The Line Status register is intended for read operations only; writing to this register is not recommended outside of a factory testing environment.

[‡] Bits 1 through 4 are the error conditions that produce a Receiver Line Status interrupt.

Bit 4[‡]. Bit 4 is the Break Interrupt (BI) indicator. When this bit is set to logic 1, it indicates that the received data input was held in the logic 0 state for longer than a full-word transmission time. A "full-word transmission time" is defined as the total time of the Start, Data, Parity, and Stop bits. The BI bit is reset every time the CPU reads the contents of the Line Status register.

Bit 5. Bit 5 is the Transmitter Holding Register Empty (THRE) indicator. This bit is set to a logic 1 condition when the Transmitter Holding Register is empty, indicating that the ACE is ready to accept a new character. If the THRE interrupt is enabled when the THRE bit is a logic 1, then an interrupt is generated. THRE is set to a logic 1 when the contents of the Transmitter Holding Register are transferred to the transmitted Shift Register. This bit is reset to logic 0 concurrent with the loading of the Transmitter Holding Register by the CPU.

Bit 6. Bit 6 is the Transmitter Empty (TEMT) indicator. This bit is set to a logic 1 when the Transmitter Holding register and the Transmitter Shift register are both empty. When either the Transmitter Holding register or the Transmitter Shift register contains a data character, the TEMT bit is reset to logic 0.

Bit 7. This bit is always reset to logic 0.

[‡] Bits 1 through 4 are the error conditions that produce a Receiver Line Status interrupt.

modem status register (MSR)

The Modem Status register is an 8-bit register that provides information about the current state of the control lines from the modem, data set, or peripheral device to the CPU. Additionally, four bits of this register provides change information; when a control input from the modem changes state the appropriate bit is set to logic 1. All four bits are reset to logic 0 when the CPU reads the Modem Status register. The contents of this register are summarized in Table 3 and are described below.

Bit 0. Bit 0 is the Delta Clear to Send (DCTS) indicator. This bit indicates that the $\overline{\text{CTS}}$ input has changed state since the last time it was read by the CPU. When this bit is a logic 1 and the Modem Status Interrupt is enabled, a Modem Status Interrupt is generated.

Bit 1. Bit 1 is the Delta Data Set Ready (DDSR) indicator. This bit indicates that the $\overline{\text{DSR}}$ input has changed state since the last time it was read by the CPU. When this bit is a logic 1 and the Modem Status Interrupt is enabled, a Modem Status Interrupt is generated.

Bit 2. Bit 2 is the Trailing Edge of Ring Indicator (TERI) detector. This bit indicates that the $\overline{\text{RI}}$ input to the chip has changed from a low to a high state. When this bit is a logic 1 and the Modem Status Interrupt is enabled, a Modem Status Interrupt is generated.

Bit 3. Bit 3 is the Delta Data Carrier Detect (DDCD) indicator. This bit indicates that the $\overline{\text{DCD}}$ input to the chip has changed state since the last time it was read by the CPU. When this bit is a logic 1 and the Modem Status Interrupt is enabled, a Modem Status Interrupt is generated.

Bit 4. Bit 4 is the complement of the Clear to Send ($\overline{\text{CTS}}$) input. If Bit 4 (loop) of the Modem Control register is set to a logic 1, this bit is equivalent to the Modem Control register bit 1 (RTS).

Bit 5. Bit 5 is the complement of the Data Set Ready ($\overline{\text{DSR}}$) input. If Bit 4 (loop) of the Modem Control register is set to a logic 1, this bit is equivalent to the Modem Control register bit 0 (DTR).

Bit 6. Bit 6 is the complement of the Ring Indicator ($\overline{\text{RI}}$) input. If Bit 4 (loop) of the Modem Control register is set to a logic 1, this bit is equivalent to the Modem Control registers bit 2 (OUT 1).

Bit 7. Bit 7 is the complement of the Data Carrier Detect ($\overline{\text{DCD}}$) input. If Bit 4 (loop) of the Modem Control register is set to a logic 1, this bit is equivalent to the Modem Control registers bit 3 (OUT 2).



scratch register (SCR)

The Scratch register is an 8-bit register that is intended for the programmer's use as a "scratchpad," in the sense that it will temporarily hold the programmer's data without affecting any other ACE operation.

programmable baud generator

The ACE contains a programmable Baud Generator that takes a clock input in the range between DC and 9 MHz and divides it by a divisor in the range between 1 and $2^{16}-1$. The output frequency of the Baud Generator is sixteen times (16 X) the baud rate. The formula for the divisor is:

$$\text{divisor \#} = \text{XTAL1 frequency input} \div (\text{desired baud rate} \times 16)$$

Two 8-bit registers, called Divisor Latches, are used to store the divisor in a 16-bit binary format. These Divisor Latches must be loaded during initialization of the ACE in order to ensure desired operation of the Baud Generator. When either of the Divisor Latches is loaded, a 16-bit baud counter is also loaded to prevent long counts on initial load.

Tables 5 and 6, which follow, illustrate the use of the Baud Generator with crystal frequencies of 1.8432 MHz and 3.072 MHz, respectively. For baud rates of 38.4 kilobits per second and below, the error obtained is very small. The accuracy of the selected baud rate is dependent on the selected crystal frequency.

Refer to Figure 10 for examples of typical clock circuits.

PRINCIPLES OF OPERATION

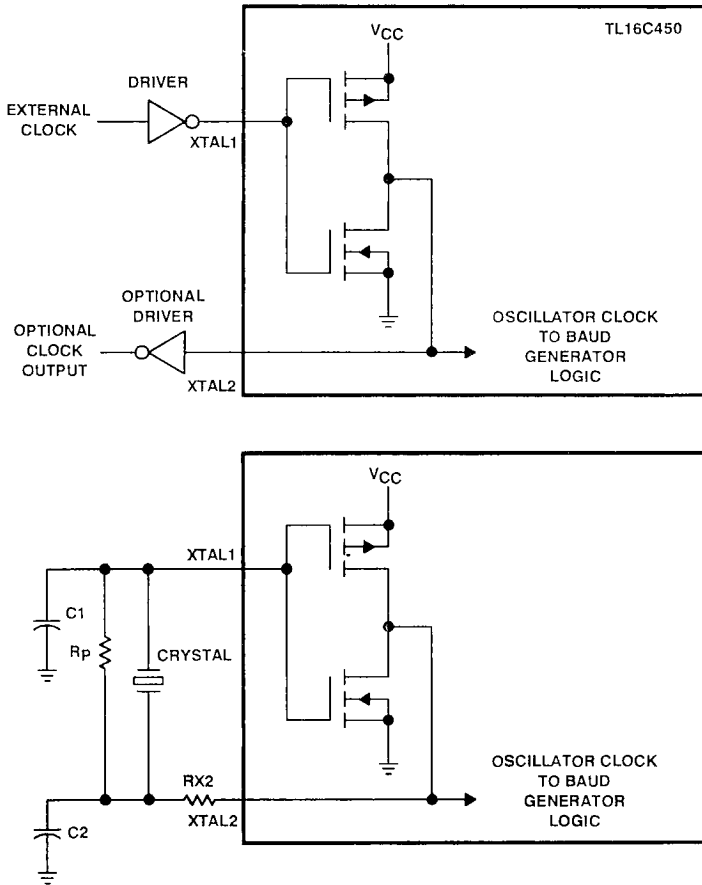
TABLE 5. BAUD RATES USING A 1.8432-MHz CRYSTAL

DESIRED BAUD RATE	DIVISOR USED TO GENERATE 16 X CLOCK	PERCENT ERROR DIFFERENCE BETWEEN DESIRED AND ACTUAL
50	2304	
75	1536	
110	1047	0.026
134.5	857	0.058
150	768	
300	384	
600	192	
1200	96	
1800	64	
2000	58	0.69
2400	48	
3600	32	
4800	24	
7200	16	
9600	12	
19200	6	
38400	3	
56000	2	2.86

TABLE 6. BAUD RATES USING A 3.072-MHz CRYSTAL

DESIRED BAUD RATE	DIVISOR USED TO GENERATE 16 X CLOCK	PERCENT ERROR DIFFERENCE BETWEEN DESIRED AND ACTUAL
50	3840	
75	2560	
110	1745	0.026
134.5	1428	0.034
150	1280	
300	640	
600	320	
1200	160	
1800	107	0.312
2000	96	
2400	80	
3000	53	0.628
4800	40	
7200	27	1.23
9600	20	
19200	10	
38400	5	

PRINCIPLES OF OPERATION



TYPICAL CRYSTAL OSCILLATOR NETWORK

CRYSTAL	R _p	R _{X2}	C ₁	C ₂
3.1 MHz	1 MΩ	1.5 kΩ	10-30 pF	40-60 pF
1.8 MHz	1 MΩ	1.5 kΩ	10-30 pF	40-60 pF

FIGURE 10. TYPICAL CLOCK CIRCUITS



TL16C451, TL16C452 ASYNCHRONOUS COMMUNICATIONS ELEMENTS

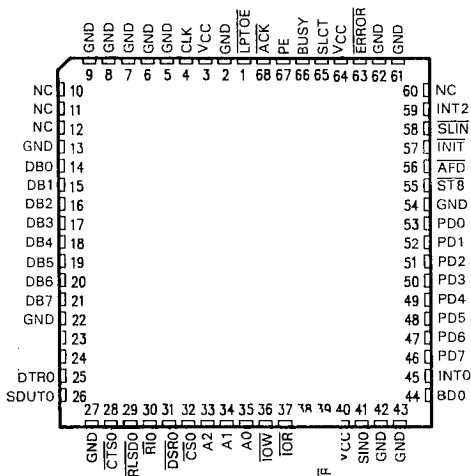
D3284, MAY 1989—REVISED JANUARY 1990

- Integrates Most Communications Card Functions From the IBM PC/AT or Compatibles with Single-/ or Dual-Channel Serial Ports
- TL16C451 Consists of One TL16C450 Plus Centronix Printer Interface
- TL16C452 Consists of Two TL16C450s Plus Centronix Printer Interface
- Fully Programmable Serial Interface Characteristics:
 - 5-, 6-, 7-, or 8-Bit Characters
 - Even-, Odd-, or No-Parity Bit Generation and Detection
 - 1-, 1 1/2-, or 2 Stop-Bit Generation
 - Programmable Baud Rate (DC to 256 Kilobits per Second)
- Fully Double Buffered for Reliable Asynchronous Operation

description

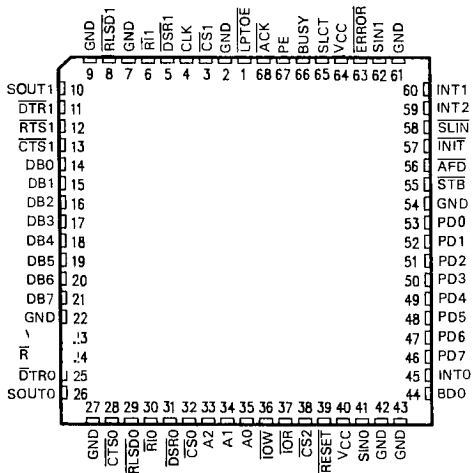
The TL16C451 and TL16C452 provide single- and dual-channel (respectively) serial interfaces along with a single Centronix parallel-port interface. The serial interfaces provide a serial-to-parallel conversion for data received from a peripheral device or modem and a parallel-to-serial conversion for data transmitted by a computer CPU. The parallel interface provides a bidirectional parallel data port that fully conforms to the requirements for a Centronix-type printer. A computer CPU can read the status of the asynchronous-communications-element (ACE) interfaces at any point in the operation. The status includes the state of the modem signals (\overline{CTS} , \overline{RLSD} , and \overline{RI}) and any changes to these signals that have occurred since the last time they were read, the state of the transmitter and receiver including errors detected on received data, and printer status. The TL16C451 and TL16C452 provide control for modem signals (\overline{RTS} and \overline{DTR}), interrupt enables, baud-rate programming, and parallel-port control signals.

TL16C451 . . . FN PACKAGE
(TOP VIEW)



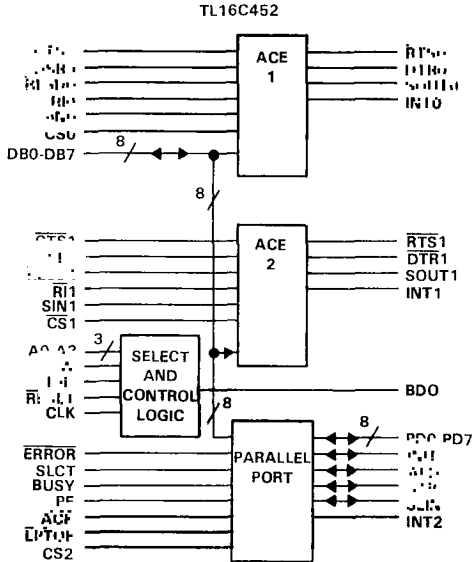
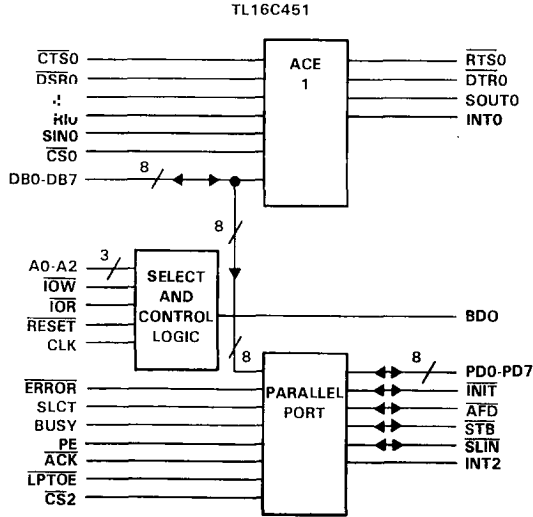
NC—No internal connection

TL16C452 . . . FN PACKAGE
(TOP VIEW)



TL16C451, TL16C452 ASYNCHRONOUS COMMUNICATIONS ELEMENTS

functional block diagrams



TL16C451, TL16C452 ASYNCHRONOUS COMMUNICATIONS ELEMENTS

NAME†	PIN NO.	I/O	DESCRIPTION
A0 A1 A2	35 34 33	I	Register Select. Three inputs used during read and write operations to select the register to read from or write to. Refer to Table 1 for register addresses, also refer to the chip select signals ($\overline{CS0}$, $\overline{CS1}$, $\overline{CS2}$).
ACK	68	I	Line Printer Acknowledge. This input goes low to indicate a successful data transfer has taken place. It generates a printer-port interrupt during its positive transition.
AFD	56	I/O	Line Printer Autofeed. This open-drain line provides the line printer with a low signal when continuous-form paper is to be autofeared to the printer. An internal pullup is provided.
BDO	44	O	Bus Buffer Output. This output is active (high) when the CPU is reading data. When active, this output can be used to disable an external transceiver.
BUSY	66	I	Line Printer Busy. This is an input line from the line printer that goes high when the line printer is not ready to accept data.
CLK	4	I/O	External Clock. Connects the ACE to the main timing reference.
$\overline{CS0}$ $\overline{CS1}$ [VCC] $\overline{CS2}$	32 3 38	I	Chip Selects. Each chip select enables read and write operations to its respective channel. $\overline{CS0}$ and $\overline{CS1}$ select serial channels 0 and 1, respectively, and $\overline{CS2}$ selects the parallel port.
$\overline{CTS0}$ $\overline{CTS1}$ [GND]	28 13	I	Clear To Send. \overline{CTS} is an active-low modem status signal whose state can be checked by reading bit 4 (CTS) of the Modem Status Register. Bit 0 (DCTS) of the Modem Status Register indicates that this signal has changed state since the last read from the Modem Status Register. If the Modem Status Interrupt is enabled when \overline{CTS} changes state, an interrupt is generated.
DB0 DB1 DB2 DB3 DB4 DB5 DB6 DB7	14 15 16 17 18 19 20 21	I/O	Data Bus. Eight 3-state data lines provide a bidirectional path for data, control, and status information between the TL16C451/TL16C452 and the CPU. DB0 is the least significant bit (LSB).
\overline{DSR} 1 [GND]	31 5	I	Data Set Ready. \overline{DSR} is an active-low modem status signal whose state can be checked by reading bit 5 (DSR) of the Modem Status Register. Bit 1 (DDSR) of the Modem Status Register indicates that this signal has changed state since the last read from the Modem Status Register. If the modem status interrupt is enabled when the \overline{DSR} changes state, an interrupt is generated.
$\overline{DTR0}$ $\overline{DTR1}$ [NC]	25 11	O	Data Terminal Ready. When active (low), \overline{DTR} informs a modem or data set that the ACE is ready to establish communication. \overline{DTR} is placed in the active state by setting the DTR bit of the Modem Control Register to a high level. \overline{DTR} is placed in the inactive state either as a result of a reset or during loop mode operation or resetting bit 0 (DTR) of the Modem Control Register.
ERROR	63	I	Line Printer Error. This is an input line from the line printer. The line printer reports an error by holding this line low during the error condition.
INIT	57	I/O	Line Printer initialize. This open-drain line provides the line printer with a signal that allows the line printer initialization routine to be started. An internal pullup is provided.
INT0 INT1 [NC]	45 60	O	interrupt. $INTn$ is an active-high 3-state output that is enabled by bit 3 of the MCR. When active, $INTn$ informs the CPU that the ACE has an interrupt to be serviced. Four conditions that cause an interrupt to be issued are; a receiver error, received data is available, the transmitter holding register is empty, and an enabled modem status interrupt. The $INTn$ output is reset (low) either when the interrupt is serviced or as a result of a reset.
INT2	59	O	Printer Port Interrupt. This signal is an active-high 3-state output generated by the positive transition of \overline{ACK} . It is enabled by bit 4 of the Write Control Register.
\overline{IOR}	37	I	Data Read Strobe. When \overline{IOR} input is active (low) while the ACE is selected, the CPU is allowed to read status information or data from a selected ACE register.
\overline{IOW}	36	I	Data Write Strobe. When \overline{IOW} input is active (low) while the ACE is selected, the CPU is allowed to write control words or data into a selected ACE register.

† Names shown in brackets are for the TL16C451.

TL16C451, TL16C452 ASYNCHRONOUS COMMUNICATIONS ELEMENTS

NAME†	PIN NO.	I/O	DESCRIPTION
LPTOE	1	I	Parallel Data Output Enable. When low, this signal enables the Write Data Register to the PD0-PD7 lines. A high puts the PD0-PD7 lines in the high-impedance state allowing them to be used as inputs. LPTOE is usually tied low for line printer operation.
PD0-PD7	53-66	I/O	Parallel Data Bits (0-7). These eight lines provide a byte-wide input or output port to the system. The eight lines are held in a high-impedance state when LPTOE is high.
PE	67	I	Line Printer Paper Empty. This is an input line from the line printer that goes high when the printer runs out of paper.
RESET	39	I	Reset. When active (low), RESET clears most ACE registers and sets the state of various output signals. Refer to Table 2, ACE Reset Functions.
RI	30	I	Ring Indicator. RI is an active-low modem status signal whose state can be checked by reading bit 6 (RI) of the Modem Status Register. Bit 2 (TERI) of the Modem Status Register indicates that the RI input has transitioned from a low to a high state since the last read from the Modem Status Register. If the Modem Status Interrupt is enabled when this transition occurs, an interrupt is generated.
RLSD0	29	I	Receive Line Signal Detect. RLSD0 is an active-low modem status signal whose state can be checked by reading bit 7 of the Modem Status Register. Bit 3 (DR LSD) of the Modem Status Register indicates that this signal has changed state since the last read from the Modem Status Register. If the Modem Status Interrupt is enabled when RLSD0 changes state, an interrupt is generated. This bit is low when a data carrier is detected.
RLSD1 [GND]	8		
RTS	24	O	Request To Send. When active (low), this signal informs the modem or data set that the ACE is ready to transmit data. RTS is set to its active state by setting the RTS Modem Control Register bit and is set to its inactive (high) state either as a result of a reset or during loop mode operations or by resetting bit 1 (RTS) of the modem control register.
RTS1 [NC]	12		
SINO	41	I	Serial Input. Serial data input from a connected communications device.
SIN1 [GND]	62		
SLCT	65	I	Line Printer Selected. This is an input line from the line printer that goes high when the line printer has been selected.
SLIN	58	I/O	Line Printer Select. This open-drain line selects the printer when it is active (low). An internal pullup is provided.
SOUT0	26	O	Serial Output. Composite serial data output to a connected communication device. SOUT is set to the Marking (logic 1) state as a result of reset.
SOUT1 [NC]	10		
STB	55	I/O	Line Printer Strobe. This open-drain line provides communication synchronization between the TL16C451/TL16C452 and the line printer. When it is active (low), it provides the line printer with a signal to latch the data currently on the parallel port. An internal pullup is provided.
VCC	23,40,64		5-V Supply Voltage
GND	2,7,9,22,27,42,43,54,61		Supply Common

† Names shown in brackets are for the TL16C451.

absolute maximum ratings over operating free-air temperature range (unless otherwise noted)

Supply voltage range, VCC (see Note 1)	-0.5 V to 7 V
Input voltage range at any input, V _I	-0.5 V to 7 V
Output voltage range, V _O	-0.5 V to 7 V
Continuous total power dissipation	1100 mW
Operating free-air temperature range	0°C to 70°C
Storage temperature range	-65°C to 150°C
Case temperature for 10 seconds	260°C

NOTE 1: All voltage values are with respect to GND.

TL16C451, TL16C452 ASYNCHRONOUS COMMUNICATIONS ELEMENTS

recommended operating conditions

	MIN	NOM	MAX	UNIT
Supply voltage, V_{CC}	4.75	5	5.25	V
High-level input voltage, V_{IH}	2		V_{CC}	V
Low-level input voltage, V_{IL}	-0.5		0.8	V
Operating free-air temperature, T_A	0		70	°C

electrical characteristics over recommended ranges of supply voltage and operating free-air temperature (unless otherwise noted)

PARAMETER	TEST CONDITIONS	MIN	TYP†	MAX	UNIT
V_{OH} High-level output voltage	$I_{OH} = -0.4$ mA on DB0-DB7	2.4			V
	$I_{OH} = -2$ mA to 4 mA on PD0-PD7				
	$I_{OH} = -0.2$ mA on INIT, AFD, STB, and SLIN				
	$I_{OH} = -0.2$ mA on all other outputs				
V_{OL} Low-level output voltage	$I_{OL} = 4$ mA on DB0-DB7			0.4	V
	$I_{OL} = 12$ mA on PD0-PD7				
	$I_{OL} = 10$ mA on INIT, AFD, STB, and SLIN (see Note 2)				
	$I_{OL} = 2$ mA on all other outputs				
I_{lkg} Input leakage current	$V_{CC} = 5.25$ V, $V_{SS} = 0$, $V_I = 0$ to 5.25 V, All other pins floating			±10	µA
I_{OZ} High-impedance output current	$V_{CC} = 5.25$ V, $V_{SS} = 0$, $V_O = 0$ to 5.25 V, Chip selected and write mode, or chip deselected			±20	µA
I_{CC} Supply current	$V_{CC} = 5.25$ V, $T_A = 25^\circ\text{C}$, SIN, DSR, RLSD, CTS, and RI at 2 V, All other inputs at 0.8 V, XTAL1 at 4 MHz, No load on outputs. Baud rate = 50 kilobits per second			10	mA
C_{XTAL1} Clock input capacitance			15	20	pF
C_{XTAL2} Clock output capacitance	$V_{CC} = 0$, $V_{SS} = 0$, $f = 1$ MHz, $T_A = 25^\circ\text{C}$,		20	30	pF
C_i Input capacitance	All other pins grounded		6	10	pF
C_o Output capacitance			10	20	pF

† All typical values are at $V_{CC} = 5$ V, $T_A = 25^\circ\text{C}$.

NOTE 2: INIT, AFD, STB, and SLIN are open-collector output pins that each have an internal pullup to V_{CC} . This will generate a maximum of 2 mA of internal I_{OL} per pin. In addition to this internal current, each pin will sink at least 10 mA while maintaining the V_{OL} specification of 0.4 V Max.

TL16C451, TL16C452

ASYNCHRONOUS COMMUNICATIONS ELEMENTS

system timing requirements over recommended ranges of supply voltage and operating free-air temperature

PARAMETER		FIGURE	MIN	MAX	UNIT
t _{cR}	Cycle time, read (t _{w7} + t _{d8} + t _{d9})		175		ns
t _{cW}	Cycle time, write (t _{w5} + t _{d5} + t _{d6})		175		ns
t _{w1}	Pulse duration, clock	1	50		ns
t _{w2}	Pulse duration, clock RW	1	50		ns
t _{w5}	Pulse duration, write strobe	2	80		ns
t _{w6}	Pulse duration, read strobe	3	80		ns
t _{wRST}	Pulse duration, reset		1000		ns
t _{su1}	Setup time, address	2,3	15		ns
t _{su2}	Setup time, chip select	2,3	15		ns
t _{su3}	Setup time, data	2	15		ns
t _{h1}	Hold time, address	2,3	20		ns
t _{h2}	Hold time, chip select	2,3	20		ns
t _{h3}	Hold time, data	2	15		ns
t _{d3}	Delay time, write cycle	2	80		ns
t _{d4}	Delay time, read cycle	3	80		ns

system switching characteristics over recommended ranges of supply voltage and operating free-air temperature

PARAMETER	FIGURE	TEST CONDITIONS	MIN	MAX	UNIT
t _{d5}	3	C _L = 100 pF		60	ns
t _{d6}	3	C _L = 100 pF	0	60	ns
t _{dis(R)}	3	C _L = 100 pF		60	ns

receiver switching characteristics over recommended ranges of supply voltage and operating free-air temperature

PARAMETER	FIGURE	TEST CONDITIONS	MIN	MAX	UNIT
t _{d7}	4			100	ns
t _{d8}	4		1	1	RCLK cycles
t _{d9}	4	C _L = 100 pF		140	ns

transmitter switching characteristics over recommended ranges of supply voltage and operating free-air temperature

PARAMETER	FIGURE	TEST CONDITIONS	MIN	MAX	UNIT
t _{d10}	5		8	24	baudout cycles
t _{d11}	5		8	8	baudout cycles
t _{d12}	5	C _L = 100 pF		140	ns
t _{d13}	5		16	32	baudout cycles
t _{d14}	5	C _L = 100 pF		140	ns

TL16C451, TL16C452
ASYNCHRONOUS COMMUNICATIONS ELEMENTS

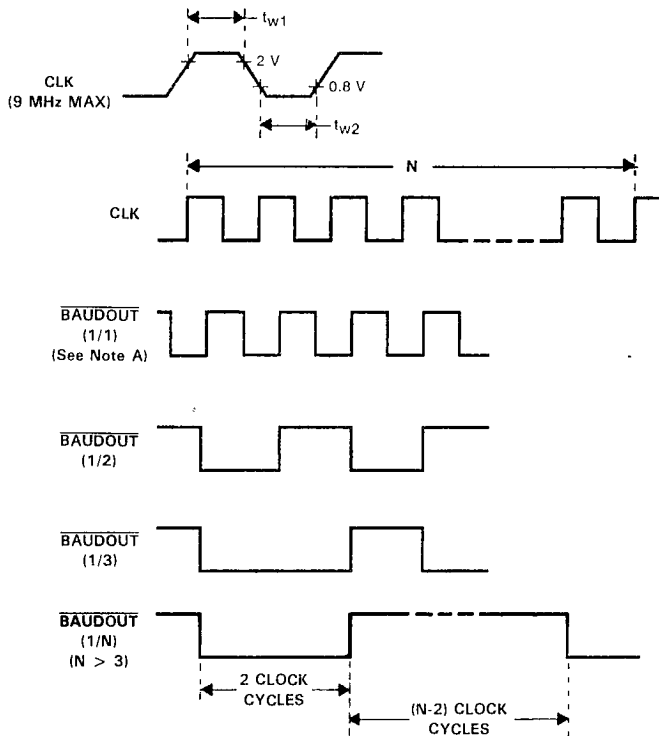
modem control switching characteristics over recommended ranges of supply voltage and operating free-air temperature

PARAMETER	FIGURE	TEST CONDITIONS	MIN	MAX	UNIT
t _{d15} Delay time, write MCR to output	6	C _L = 100 pF		100	ns
t _{d16} Delay time, modem input to set interrupt	6	C _L = 100 pF		170	ns
t _{d17} Delay time, read MSR to reset interrupt	6	C _L = 100 pF		140	ns

parallel port switching characteristics over recommended ranges of supply voltage and operating free-air temperature

PARAMETER	FIGURE	TEST CONDITIONS	MIN	MAX	UNIT
t _{d18} Delay time, write parallel port control to output	7	C _L = 100 pF		60	ns
t _{d19} Delay time, write parallel port data to output	7	C _L = 100 pF		60	ns
t _{d20} Delay time, output enable to data	7	C _L = 100 pF		60	ns
t _{d21} Delay time, $\overline{\text{ACK}}$ to INT2	7	C _L = 100 pF		100	ns

PARAMETER MEASUREMENT INFORMATION



NOTE A: $\overline{\text{BAUDOUT}}$ is an internally generated signal used in the receiver and transmitter circuits to synchronize data.

FIGURE 1. BAUD GENERATOR TIMING

PARAMETER MEASUREMENT INFORMATION

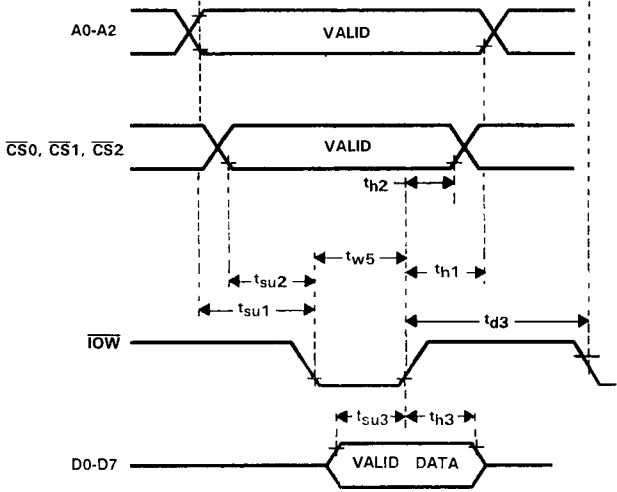


FIGURE 2. WRITE CYCLE TIMING

PARAMETER MEASUREMENT INFORMATION

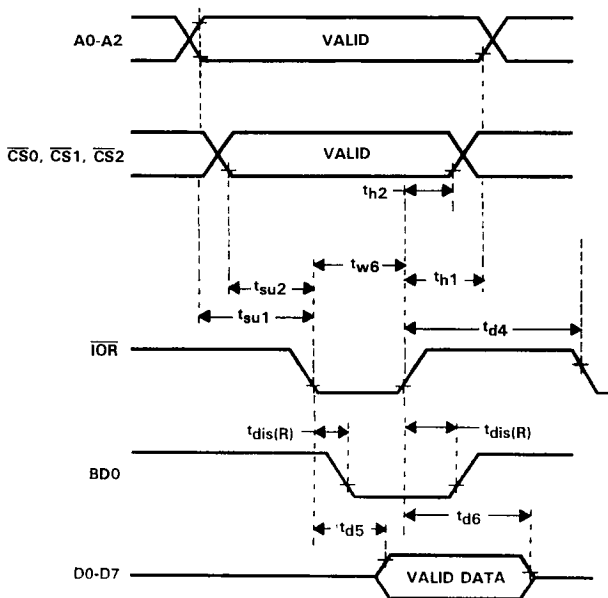


FIGURE 3. READ CYCLE TIMING

PARAMETER MEASUREMENT INFORMATION

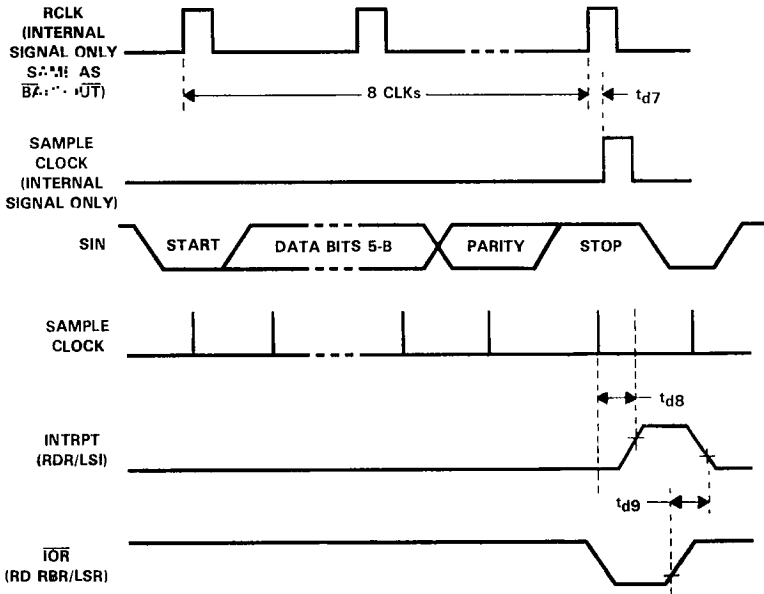


FIGURE 4. RECEIVER TIMING

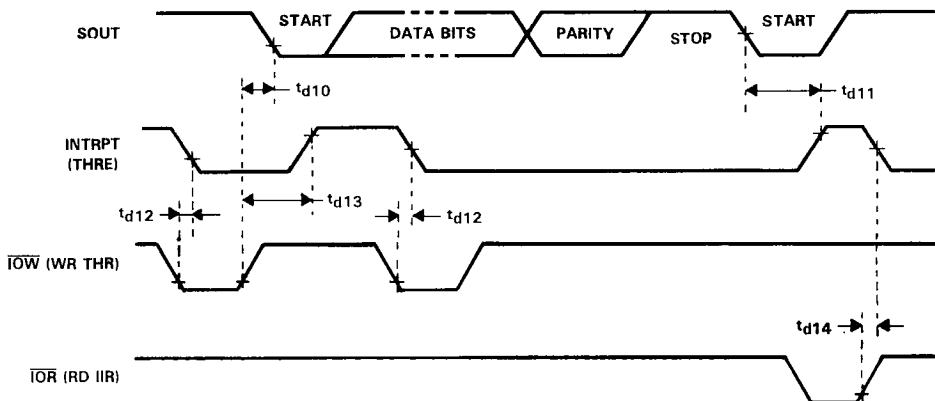


FIGURE 5. TRANSMITTER TIMING

PARAMETER MEASUREMENT INFORMATION

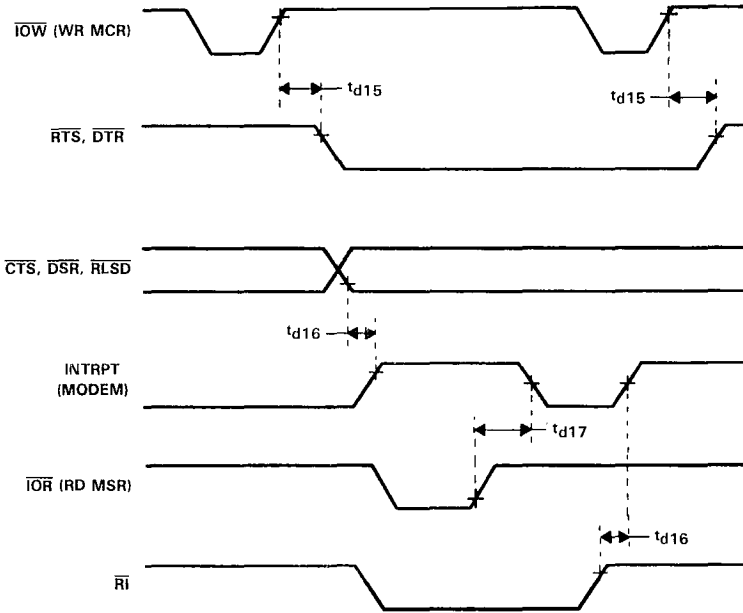


FIGURE 6. MODEM CONTROL TIMING

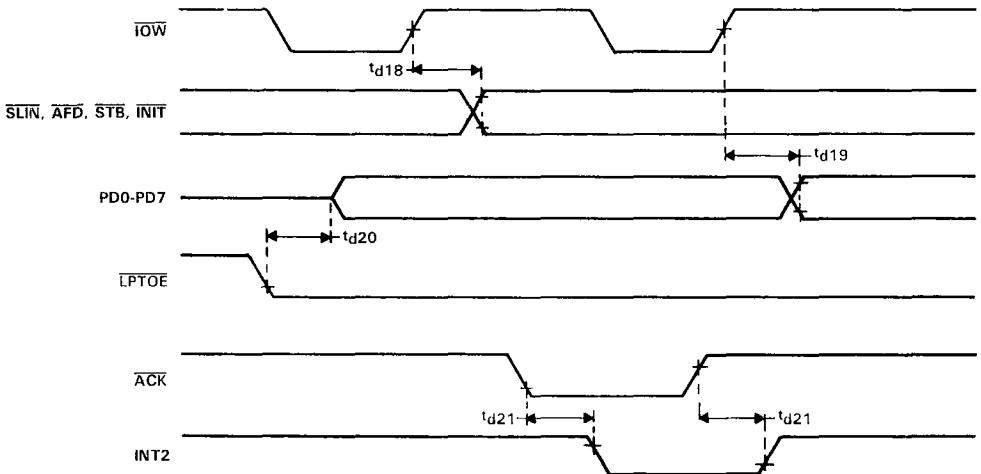


FIGURE 7. PARALLEL PORT TIMING

APPLICATION INFORMATION

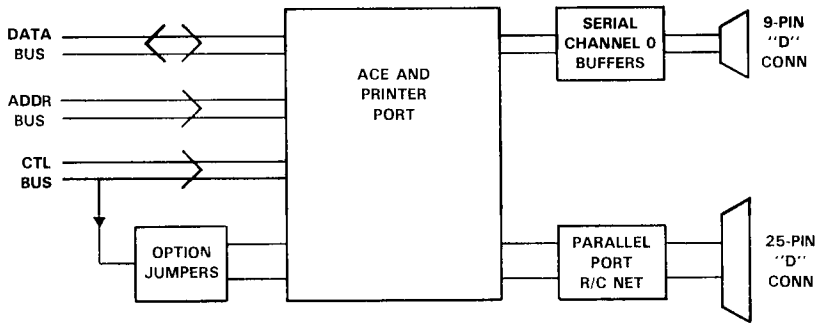


FIGURE 8. TL16C451

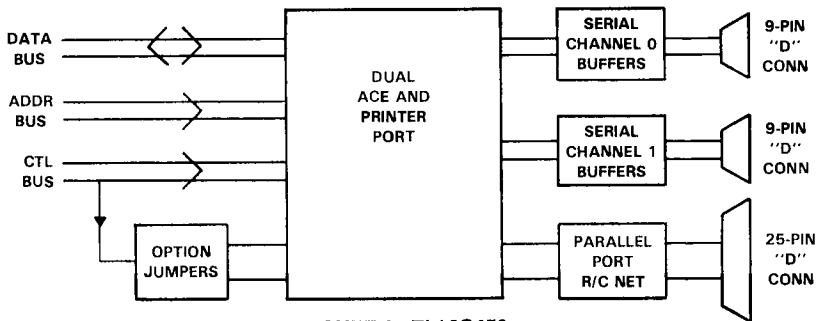


FIGURE 9. TL16C452

PRINCIPLES OF OPERATION

TABLE 1. REGISTER SELECTION

DLAB†	A2	A1	A0	REGISTER
0	L	L	L	Receiver buffer (read), transmitter holding register (write)
0	L	L	H	Interrupt enable
X	L	H	L	Interrupt identification (read only)
X	L	H	H	Line control
X	H	L	L	Modem control
X	H	L	H	Line status
X	H	H	L	Modem status
X	H	H	H	Scratch
1	L	L	L	Divisor latch (LSB)
1	L	L	H	Divisor Latch (MSB)

† The Divisor Latch Access Bit (DLAB) is the most significant bit of the Line Control Register. The DLAB signal is controlled by writing to this bit location (see Table 3).

TABLE 2. ACE RESET FUNCTIONS

REGISTER/SIGNAL	RESET	RESET STATE
Interrupt Enable Register	Reset	All bits low (0-3 forced and 4-7 permanent)
Interrupt Identification Register	Reset	Bit 0 is high, bits 1 and 2 are low, and bits 3-7 are permanently low
Line Control Register	Reset	All bits low
Modem Control Register	Reset	All bits low
Line Status Register	Reset	Bits 5 and 6 are high, all other bits are low
Modem Status Register	Reset	Bits 0-3 are low, bits 4-7 are input signals
SOUT	Reset	High
INTRPT (Receiver Error Flag)	Read LSR/Reset	Low
INTRPT (Received Data Available)	Read RBR/Reset	Low
INTRPT (Transmitter Holding Register Empty)	Read THRE/Reset	Low
INTRPT (Modem Status Changes)	Read MSR/Reset	Low
OUT 2 (interrupt enable)	Reset	High
RTS	Reset	High
DTR	Reset	High
OUT 1	Reset	High
Scratch Register	Reset	No effect
Divisor Latch (LSB and MSB) Registers	Reset	No effect
Receiver Buffer Registers	Reset	No effect
Transmitter Holding Registers	Reset	No effect



PRINCIPLES OF OPERATION

accessible registers

The system programmer, via the CPU, has access to and control over any of the ACE registers that are summarized in Table 3. These registers are used to control ACE operations, receive data, and transmit data. Descriptions of these registers follow Table 3.

TABLE 3. SUMMARY OF ACCESSIBLE REGISTERS

Bit No.	REGISTER ADDRESS										
	0 DLAB=0	0 DLAB=0	1 DLAB=0	2	3	4	5	6	7	0 DLAB=1	1 DLAB=1
	Receiver Buffer Register (RBR) (Write Only)	Transmitter Holding Register (THR) (Write Only)	Interrupt Enable Register (IER)	Interrupt Ident. Register (Read Only) (IIR)	Line Control Register (LCR)	Modem Control Register (MCR)	Line Status Register (LSR)	Modem Status Register (MSR)	Scratch Register (SCR)	Divisor Latch (LSB) (DLL)	Latch (MSB) (DLM)
RBR	THR	IER	IIR	LCR	MCR	LSR	MSR	SCR	DLL	DLM	
0	Data Bit 0*	Data Bit 0	Enable Received Data Available Interrupt (ERBFI)	0 if Interrupt Pending	Word Length (WLS0)	Data	.	Delta Clear to Send (DCTS)	Bit 0	Bit 0	Bit 8
1	Data Bit 1	Data Bit 1	Enable Transmitter Interrupt	Interrupt ID Bit (0)	Word Length Select Bit 1 (WLS1)	Receive	Overrun Error (OE)	Delta Data Out	Bit 1	Bit 1	Bit 9
2	Data Bit 2	Data Bit 2	Receiver Line Status Interrupt (ELSI)	Interrupt Bit (1)	Number of Stop Bits (STB)	Out 1	Parity Error (PE)	Trailing Edge Ring Indicator (TERI)	Bit 2	Bit 2	Bit 10
3	Data Bit 3	Data Bit 3	Enable MODEM Status Interrupt (EDSSI)	0	Parity Enable (PEN)	Dut 2 (Interrupt Enable)	Framing Error (FE)	Delta Receive Line Signal Detect (DRLSD)	Bit 3	Bit 3	Bit 11
4	Data Bit 4	Data Bit 4	0	0	Even	Loop	Break Interrupt (BI)	Clear to Send (CTS)	Bit 4	Bit 4	Bit 12
5	Data Bit 5	Data Bit 5	0	0	Stick Parity	0	Transmitter Holding Register (THRE)	Data Set Ready (DSR)	Bit 5	Bit 5	Bit 13
6	Data Bit 6	Data Bit 6	0	0	Set Break	0	Transmitter Empty (TEMT)	Ring Indicator (RI)	Bit 6	Bit 6	Bit 14
7	Data Bit 7	Data Bit 7	0	0	Divisor Latch Access Bit (DLAB)	0	0	Receive Line	Bit 7	Bit 7	Bit 15

* Bit 0 is the least significant bit. It is the first bit serially transmitted or received.

PRINCIPLES OF OPERATION

receiver buffer register (RBR)

The ACE's receiver section consists of a Receiver Shift Register and a Receiver Buffer Register. Timing is supplied by the 16 X Receiver Clock (RCLK). Receiver section control is a function of the ACE's Line Control Register.

The ACE's Receiver Shift Register receives serial data from the Serial Input (SIN) pin. The Receiver Shift Register then converts the data to a parallel form and loads it into the Receiver Buffer Register. When a character is placed in the Receiver Buffer Register and the Received Data Available interrupt is enabled, an interrupt is generated. This interrupt is cleared when the data is read out of the Receiver Buffer Register.

transmitter holding register (THR)

The ACE's transmitter section consists of a Transmitter Holding Register and a Transmitter Shift Register. Timing is supplied by the Baud Out (BAUDOUT) clock signal. Transmitter section control is a function of the ACE's Line Control Register.

The ACE Transmitter Holding Register receives data off the Internal Data Bus and, when the shift register is idle, moves it into the Transmitter Shift Register. The Transmitter Shift Register serializes the data and outputs it at the Serial Output (SOUT). If the Transmitter Holding Register is empty and the Transmitter Holding Register Empty (THRE) interrupt is enabled, an interrupt is generated. This interrupt is cleared when a character is loaded into the register.

interrupt enable register (IER)

The Interrupt Enable Register enables each of the four types of interrupts (refer to Table 4) and the INTRPT output signal in response to an interrupt generation. The Interrupt Enable Register can also be used to disable the interrupt system by setting bits 0 through 3 to logic 0. The contents of this register are summarized in Table 3 and are described below.

Bit 0. This bit, when set to logic 1, enables the Received Data Available interrupt.

Bit 1. This bit, when set to logic 1, enables the Transmitter Holding Register Empty interrupt.

Bit 2. This bit, when set to logic 1, enables the Receiver Line Status interrupt.

Bit 3. This bit, when set to logic 1, enables the Modem Status interrupt.

Bits 4 thru 7. Bits 4 through 7 in the Interrupt Enable Register are not used and are always set to logic 0.

PRINCIPLES OF OPERATION

interrupt identification register (IIR)

The ACE has an on-chip interrupt generation and prioritization capability that permits a flexible interface with most microprocessors.

The ACE provides four prioritized levels of interrupts:

- Priority 1 — Receiver line status (highest priority)
- Priority 2 — Receiver data ready
- Priority 3 — Transmitter holding register empty
- Priority 4 — Modem status (lowest priority)

When an interrupt is generated, the Interrupt Identification Register indicates that an interrupt is pending and the type of that interrupt in its three least significant bits (bits 0, 1, and 2). The contents of this register are summarized in Table 3 and described in Table 4.

Bit 0. This bit can be used either in a hardwire-prioritized, or polled interrupt system. If this bit is a logic 0, an interrupt is pending. When bit 0 is a logic 1, no interrupt is pending.

Bits 1 and 2. These two bits are used to identify the highest priority interrupt pending, as indicated in Table 4.

Bits 3 thru 7. Bits 3 through 7 in the Interrupt Identification Register are not used and are always set at logic 0.

TABLE 4. INTERRUPT CONTROL FUNCTIONS

INTERRUPT IDENTIFICATION REGISTER			PRIORITY LEVEL	INTERRUPT TYPE	INTERRUPT SOURCE	INTERRUPT RESET METHOD
BIT 2	BIT 1	BIT 0				
0	0	1	None	None	None	—
1	1	0	1	Receiver line status	Overrun error, parity error, framing error or break interrupt	Reading the Line Status register
1	0	0	2	Received data available	Receiver data available	Reading the Receiver buffer Buffer register
0	1	0	3	Transmitter Holding register empty	Transmitter Holding register empty	Reading the Interrupt Identification register (if source of interrupt) or writing into the Transmitter Holding register
0	0	0	4	Modem status	Clear to Send Data Set Ready, Receiver Signal Detect	Reading the Modem Status register

PRINCIPLES OF OPERATION

line control register (LCR)

The system programmer controls the format of the asynchronous data communication exchange through the Line Control register. In addition, the programmer is able to retrieve, inspect, and modify the contents of the Line Control register; this eliminates the need for separate storage of the line characteristics in system memory. The contents of this register are summarized in Table 3 and are described below.

Bits 0 and 1. These two bits specify the number of bits in each transmitted or received serial character. These bits are encoded as follows:

Bit 1	Bit 0	Word Length
0	0	5 Bits
0	1	6 Bits
1	0	7 Bits
1	1	8 Bits

Bit 2. This bit specifies either one, one and one-half, or two Stop bits in each transmitted character. If bit 2 is a logic 0, one Stop bit is generated in the data. If bit 2 is a logic 1, the number of Stop bits generated is dependent on the word length selected with bits 0 and 1. The number of Stop bits generated, in relation to word length and bit 2, is as follows:

Bit 2	Word Length Selected by Bits 1 and 2	Number of Stop Bits Generated
0	Any word length	1
1	5 bits	1 1/2
1	6 bits	2
1	7 bits	2
1	8 bits	2

Bit 3. This bit is the Parity Enable bit. When bit 3 is a logic 1, a Parity bit is generated in transmitted data between the last data word bit and the first stop bit. In received data, if bit 3 is a logic 1, parity is checked. When bit 3 is a logic 0, no parity is generated or checked.

Bit 4. Bit 4 is the Even Parity Select bit. When parity is enabled by bit 3: a logic 1 in bit 4 produces Even Parity (an even number of logic 1s is in the data and parity bits) and a logic 0 in bit 4 produces Odd Parity (an odd number of logic 1s).

Bit 5. This is the Stick parity bit. When bits 3, 4, and 5 are logic 1s, the Parity bit is transmitted and checked as a logic 0. When bits 3 and 5 are logic 1s and bit 4 is a logic 0, the Parity bit is transmitted and checked as a logic 1.

Bit 6. This bit is the Break Control bit. Bit 6 is set to a logic 1 to force a break condition, i.e, a condition where the Serial Output (SOUT) pin is forced to the spacing (logic 0) state. When bit 6 is set to a logic 0, the break condition is disabled. The break condition has no effect on the transmitter logic, it only effects the serial output.

Bit 7. This bit is the Divisor Latch Access bit (DLAB). Bit 7 must be set to a logic 1 to access the Divisor Latches of the Baud Generator during a read or write. Bit 7 must be set to a logic 0 during a read or write to access the Receiver Buffer, the Transmitter Holding register, or the Interrupt Enable register.

modem control register (MCR)

The Modem Control register is an 8-bit register that controls an interface with a modem, data set, or peripheral device that is emulating a modem. The contents of this register are summarized in Table 3 and are described below.

Bit 0. Bit 0 (DTR) controls the Data Terminal Ready ($\overline{\text{DTR}}$) output. Setting this bit to a logic 1 forces the $\overline{\text{DTR}}$ output to its active state (low). When bit 0 is set to a logic 0, $\overline{\text{DTR}}$ goes high.

Bit 1. Bit 1 (RTS) controls the Request to Send ($\overline{\text{RTS}}$) output in a manner identical to Bit 0's control over the $\overline{\text{DTR}}$ output.

Bit 2. Bit 2 (OUT 1) is a reserved location used only in the loopback mode.

Bit 3. Bit 3 (OUT 2) controls the output enable for the interrupt signal. When set to a logic 1, the interrupt is enabled. When bit 3 is set to a logic 0, the interrupt is disabled.

Bit 4. Bit 4 provides a local loopback feature for diagnostic testing of the ACE. When this bit is set to a logic high, the following occurs:

1. The transmitter Serial Output (SOUT) is set high.
2. The receiver Serial Input (SIN) is disconnected.
3. The output of the Transmitter Shift Register is fed back into the Receiver Shift register input.
4. The four modem status inputs ($\overline{\text{DSR}}$, $\overline{\text{CTS}}$, $\overline{\text{RI}}$, and $\overline{\text{RLSD}}$) are disconnected.
5. The modem control register bits (DTR, RTS, OUT1, and OUT2) are connected to the modem status register bits (DSR, CTS, RI, and RLSD), respectively.
6. The four modem control output pins are forced to their inactive states (high).

In the diagnostic mode, data that is transmitted is immediately received. This allows the processor to verify the transmit- and receive-data paths to the ACE. The receiver and transmitter interrupts are fully operational. The modem control interrupts are also operational but the modem control interrupt's sources are now the lower four bits of the Modem Control register instead of the four modem control inputs. All interrupts are still controlled by the Interrupt Enable register.

Bit 5 through 7. These bits are set to logic 0.

line status register (LSR)[†]

The Line Status Register provides information to the CPU concerning the status of data transfers. The contents of this register are summarized in Table 3 and are described below.

Bit 0. Bit 0 is the Data Ready (DR) indicator for the receiver. This bit is set to a logic 1 condition whenever a complete incoming character has been received and transferred into the Receiver Buffer register and is reset to logic 0 by reading the Receiver Buffer Register.

Bit 1[‡]. Bit 1 is the Overrun Error (OE) indicator. When this bit is set to logic 1, it indicates that before the character in the Receiver Buffer register was read, it was overwritten by the next character transferred into the register. The OE indicator is reset every time the CPU reads the contents of the Line Status register.

Bit 2[‡]. Bit 2 is the Parity Error (PE) indicator. When this bit is set to logic 1, it indicates that the parity of the received data character does not match the parity selected in the Line Control Register (bit 4). The PE bit is reset every time the CPU reads the contents of the Line Status register.

Bit 3[‡]. Bit 3 is the Framing Error (FE) indicator. When this bit is set to logic 1, it indicates that the received character did not have a valid (logic 1) Stop bit. The FE bit is reset every time the CPU reads the contents of the Line Status register.

[†] The Line Status register is intended for read operations only; writing to this register is not recommended outside of a factory testing environment.

[‡] Bits 1 through 4 are the error conditions that produce a Receiver Line Status interrupt.

TL16C451, TL16C452

ASYNCHRONOUS COMMUNICATIONS ELEMENTS

Bit 4[‡]. Bit 4 is the Break Interrupt (BI) indicator. When this bit is set to logic 1, it indicates that the received data input was held in the logic 0 state for longer than a full-word transmission time. A "full-word transmission time" is defined as the total time of the Start, Data, Parity, and Stop bits. The BI bit is reset every time the CPU reads the contents of the Line Status register.

Bit 5. Bit 5 is the Transmitter Holding Register Empty (THRE) indicator. This bit is set to a logic 1 condition when the Transmitter Holding Register is empty, indicating that the ACE is ready to accept a new character. If the THRE interrupt is enabled when the THRE bit is a logic 1, then an interrupt is generated. THRE is set to a logic 1 when the contents of the Transmitter Holding Register are transferred to the transmitted Shift Register. This bit is reset to logic 0 concurrent with the loading of the Transmitter Holding Register by the CPU.

Bit 6. Bit 6 is the Transmitter Empty (TEMT) indicator. This bit is set to a logic 1 when the Transmitter Holding register and the Transmitter Shift register are both empty. When either the Transmitter Holding register or the Transmitter Shift register contains a data character, the TEMT bit is reset to logic 0.

Bit 7. This bit is always reset to logic 0.

[‡] Bits 1 through 4 are the error conditions that produce a Receiver Line Status interrupt.

modem status register (MSR)

The Modem Status register is an 8-bit register that provides information about the current state of the control lines from the modem, data set, or peripheral device to the CPU. Additionally, four bits of this register provides change information; when a control input from the modem changes state the appropriate bit is set to logic 1. All four bits are reset to logic 0 when the CPU reads the Modem Status register. The contents of this register are summarized in Table 3 and are described below.

Bit 0. Bit 0 is the Delta Clear to Send (DCTS) indicator. This bit indicates that the $\overline{\text{CTS}}$ input has changed state since the last time it was read by the CPU. When this bit is a logic 1 and the Modem Status Interrupt is enabled, a Modem Status Interrupt is generated.

Bit 1. Bit 1 is the Delta Data Set Ready (DDSR) indicator. This bit indicates that the $\overline{\text{DSR}}$ input has changed state since the last time it was read by the CPU. When this bit is a logic 1 and the Modem Status Interrupt is enabled, a Modem Status Interrupt is generated.

Bit 2. Bit 2 is the Trailing Edge of Ring Indicator (TERI) detector. This bit indicates that the $\overline{\text{RI}}$ input to the chip has changed from a low to a high state. When this bit is a logic 1 and the Modem Status Interrupt is enabled, a Modem Status Interrupt is generated.

Bit 3. Bit 3 is the Delta Receive Line Signal Detect (DRLSD) indicator. This bit indicates that the $\overline{\text{RLSD}}$ input to the chip has changed state since the last time it was read by the CPU. When this bit is a logic 1 and the Modem Status Interrupt is enabled, a Modem Status Interrupt is generated.

Bit 4. Bit 4 is the complement of the Clear to Send ($\overline{\text{CTS}}$) input. If Bit 4 (loop) of the Modem Control register is set to a logic 1, this bit is equivalent to the Modem Control register bit 1 (RTS).

Bit 5. Bit 5 is the complement of the Data Set Ready ($\overline{\text{DSR}}$) input. If Bit 4 (loop) of the Modem Control register is set to a logic 1, this bit is equivalent to the Modem Control register bit 0 (DTR).

Bit 6. Bit 6 is the complement of the Ring Indicator ($\overline{\text{RI}}$) input. If Bit 4 (loop) of the Modem Control register is set to a logic 1, this bit is equivalent to the Modem Control registers bit 2 (OUT 1).

Bit 7. Bit 7 is the complement of the Receive Line Signal Detect ($\overline{\text{RLSD}}$) input. If Bit 4 (loop) of the Modem Control register is set to a logic 1, this bit is equivalent to the Modem Control registers bit 3 (OUT 2).

scratch register (SCR)

The Scratch register is an 8-bit register that is intended for the programmer's use as a "scratchpad," in the sense that it will temporarily hold the programmer's data without affecting any other ACE operation.

programmable baud generator

The ACE contains a programmable Baud Generator that takes a clock input in the range between dc and 9 MHz and divides it by a divisor in the range between 1 and $2^{16}-1$. The output frequency of the Baud Generator is sixteen times (16 X) the baud rate. The formula for the divisor is:

$$\text{divisor \#} = \text{CLK frequency input} \div (\text{desired baud rate} \times 16)$$

Two 8-bit registers, called Divisor Latches, are used to store the divisor in a 16-bit binary format. These Divisor Latches must be loaded during initialization of the ACE in order to ensure desired operation of the Baud Generator. When either of the Divisor Latches is loaded, a 16-bit baud counter is also loaded to prevent long counts on initial load. For baud rates of 38.4 kilobits per second and below, the error obtained is very small. The accuracy of the selected baud rate is dependent on the selected crystal frequency.

interrupt control logic

The interrupt control logic is shown in Figure 9.

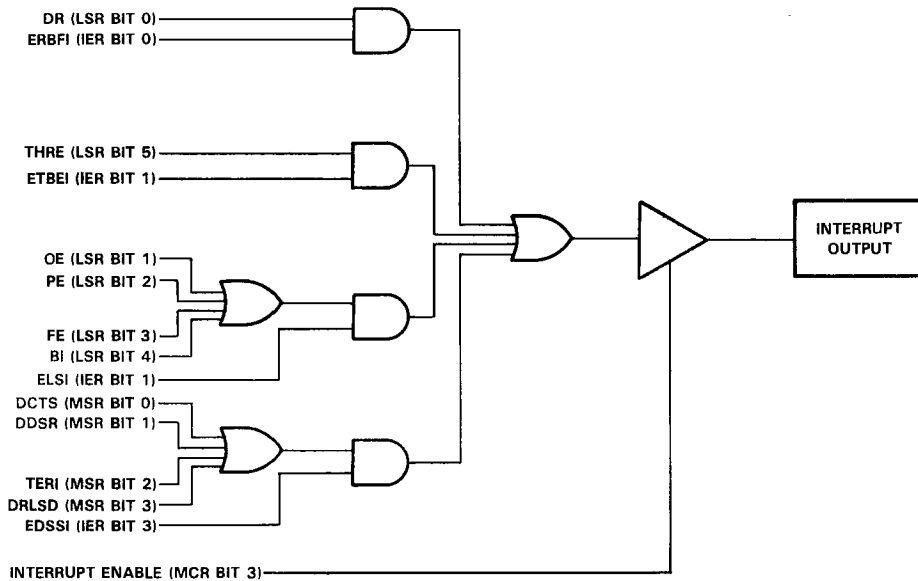


FIGURE 9. INTERRUPT CONTROL LOGIC

TL16C451, TL16C452 ASYNCHRONOUS COMMUNICATIONS ELEMENTS

parallel port registers

The parallel port registers interface either device to a Centronix-style printer. When Chip Select 2 ($\overline{CS2}$) is low, the parallel port is selected. Tables 5 and 6 show the registers associated with this parallel port. The read or write function of the register is controlled by the state or the read (\overline{IOR}) and write (\overline{IOW}) pin as shown. The Read Data Register allows the microprocessor to read the information on the parallel bus.

The Read Status Register allows the microprocessor to read the status of the printer in the five most significant bits. The status bits are Printer Busy (\overline{BUSY}), Acknowledge (\overline{ACK}) which is a handshake function, Paper Empty (PE), Printer Selected (SLCT), and Error (ERROR). The Read Control Register allows the state of the control lines to be read. The Write Control Register sets the state of the control lines, which are Interrupt Enable (IRQ ENB), Select In (SLIN), Initialize the Printer (INIT), Autofeed the Paper (AFD), and Strobe (STB), which informs the printer of the presence of a valid byte on the parallel bus. These signals are set to 0 when a reset occurs. The Write Data Register allows the microprocessor to write a byte to the parallel bus. The parallel port is completely compatible with the parallel port implementation used in the IBM Serial/Parallel Adaptor.

TABLE 5. PARALLEL PORT REGISTERS

REGISTER	REGISTER BITS							
	BIT 7	BIT 6	BIT 5	BIT 4	BIT 3	BIT 2	BIT 1	BIT 0
Read Data	PD7	PD6	PD5	PD4	PD3	PD2	PD1	PD0
Read Status	\overline{BUSY}	\overline{ACK}	PE	SLCT	ERROR	1	1	1
Read Control	1	1	1	IRQ ENB	SLIN	INIT	AFD	STB
Write Data	PD7	PD6	PD5	PD4	PD3	PD2	PD1	PD0
Write Control	1	1	1	IRQ ENB	SLIN	INIT	AFD	STB

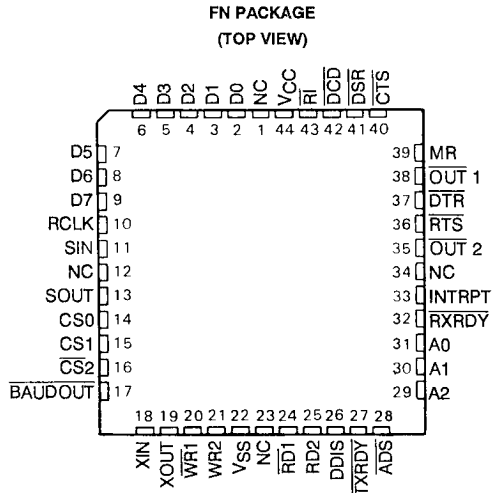
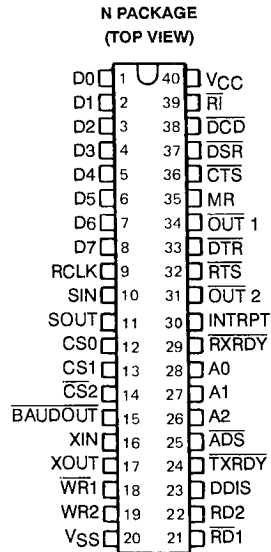
TABLE 6. PARALLEL PORT REGISTER SELECT

CONTROL PINS					REGISTER SELECTED
\overline{IOR}	\overline{IOW}	$\overline{CS2}$	A1	A0	
L	H	L	L	L	Read Data
L	H	L	L	H	Read Status
L	H	L	H	L	Read Control
L	H	L	H	H	Invalid
H	L	L	L	L	Write Data
H	L	L	L	H	Invalid
H	L	L	H	L	Write Control
H	L	L	H	H	Invalid

TL16C550A ASYNCHRONOUS COMMUNICATIONS ELEMENT

D3128, AUGUST 1989 – REVISED FEBRUARY 1990

- Capable of Running with All Existing TL16C450 Software
- After Reset, All Registers Are Identical to the TL16C450 Register Set
- In the FIFO Mode, Transmitter and Receiver Are Each Buffered with 16-Byte FIFOs to Reduce the Number of Interrupts to the CPU
- In the TL16C450 Mode, Holding and Shift Registers Eliminate the Need for Precise Synchronization Between the CPU and Serial Data
- Programmable Baud Rate Generator Allows Division of Any Input Reference Clock by 1 to $(2^{16} - 1)$ and Generates an Internal 16 X Clock
- Adds or Deletes Standard Asynchronous Communication Bits (Start, Stop, and Parity) to or from the Serial Data Stream
- Independent Receiver Clock Input
- Independently Controlled Transmit, Receive, Line Status, and Data Set Interrupts
- Fully Programmable Serial Interface Characteristics:
 - 5-, 6-, 7-, or 8-Bit Characters
 - Even-, Odd-, or No-Parity Bit Generation and Detection
 - 1-, 1 1/2-, or 2-Stop Bit Generation
 - Baud Generation (DC to 256 Kilobits per Second)
- False-Start Bit Detection
- Complete Status Reporting Capabilities
- 3-State TTL Drive Capabilities for Bidirectional Data Bus and Control Bus
- Line Break Generation and Detection
- Internal Diagnostic Capabilities:
 - Loopback Controls for Communications Link Fault Isolation
 - Break, Parity, Overrun, Framing Error Simulation
- Full Prioritized Interrupt System Controls
- Modem Control Functions ($\overline{\text{CTS}}$, $\overline{\text{RTS}}$, $\overline{\text{DSR}}$, $\overline{\text{DTR}}$, $\overline{\text{RI}}$, and $\overline{\text{DCD}}$)
- Faster Plug-In Replacement for National Semiconductor NS16550A



NC—No internal connection

NOTICE: Documents contain information on products and services. Products conform to specifications unless otherwise noted. Terms of Texas Instruments standard warranty. Production processing does not necessarily include testing of all parameters.

**TEXAS
INSTRUMENTS**

POST OFFICE BOX 655303 • DALLAS, TEXAS 75265

Copyright © 1990, Texas Instruments Incorporated

2-925

TL16C550A

ASYNCHRONOUS COMMUNICATIONS ELEMENT

description

The TL16C550A is a functional upgrade of the TL16C450 Asynchronous Communications Element (ACE). Functionally identical to the TL16C450 on powerup (Character Mode[†]), the TL16C550A can be placed in an alternate mode (FIFO) to relieve the CPU of excessive software overhead.

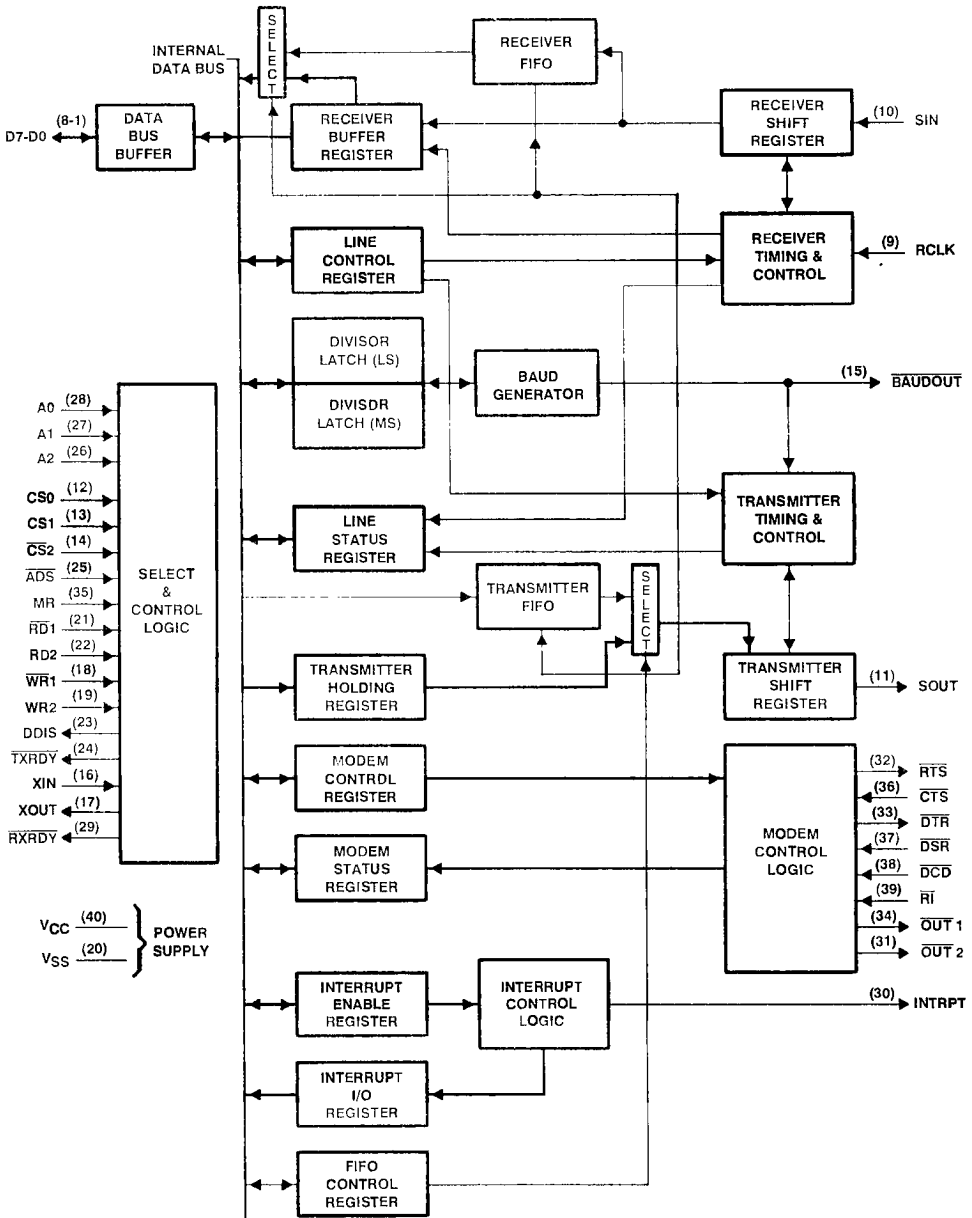
In this mode, internal FIFOs are activated allowing 16 bytes (plus 3 bits of error data per byte in the receiver FIFO) to be stored in both receive and transmit modes. To minimize system overhead and maximize system efficiency, all logic is on the chip. Two of the TL16C450 pin functions (pins 24 and 29 on the N package and pins 27 and 32 on the FN package) have been changed to allow signalling of DMA transfers.

The TL16C550A performs serial-to-parallel conversion on data received from a peripheral device or modem and parallel-to-serial conversion on data received from its CPU. The CPU can read and report on the status of the ACE at any point in the ACE's operation. Reported status information includes: the type of transfer operation in progress, the status of the operation, and any error conditions encountered.

The TL16C550A ACE includes a programmable, on-board, baud rate generator. This generator is capable of dividing a reference clock input by divisors from 1 to ($2^{16} - 1$) and producing a 16 X clock for driving the internal transmitter logic. Provisions are also included to use this 16 X clock to drive the receiver logic. Also included in the ACE is a complete modem control capability and a processor interrupt system that may be software tailored to the user's requirements to minimize the computing required to handle the communications link.

[†] The TL16C550A can also be reset to the TL16C450 mode under software control.

block diagram



Pin numbers shown are for the N package.

TL16C550A ASYNCHRONOUS COMMUNICATIONS ELEMENT

PIN		I/O	DESCRIPTION
NAME	NO.†		
A0	28 [31]	I	Register Select. Three inputs used during read and write operations to select the ACE register to read from or write to. Refer to Table 1 for register addresses, also refer to the Address Strobe (ADS) signal description.
A1	27 [30]		
A2	26 [29]		
ADS	25 [28]	I	Address Strobe. When ADS is active (low), the Register Select signals (A0, A1, and A2) and Chip Select signals (CS0, CS1, CS2) drive the internal select logic directly; when high, the Register Select and Chip Select signals are held in the state they were in when the low-to-high transition of ADS occurred.
BAUDOUT	15 [17]	O	Baud Out. 16 X clock signal for the transmitter section of the ACE. The clock rate is estimated as the reference oscillator frequency divided by a divisor specified by the Baud Generator Divisor Latches. The reference clock rate may also be used for the receiver section by tying this output to the RCLK input.
CS0	12 [14]	I	Chip Select. When active (high, high, and low, respectively), these three inputs select the ACE. If any of these inputs are inactive, the ACE remains inactive. Refer to the ADS (Address Strobe) signal description.
CS1	13 [15]		
CS2	14 [16]		
CTS	36 [40]	I	Clear To Send. CTS is a modem status signal whose condition can be checked by reading bit 4 (CTS) of the Modem Status Register. Bit 0 (DCTS) of the Modem Status Register indicates that this signal has changed state since the last read from the Modem Status Register. If the Modem Status Interrupt is enabled when CTS changes state, an interrupt is generated.
D0	1 [2]	I/O	Data Bus. Eight 3-state data lines provide a bidirectional path for data, control, and status information between the ACE and the CPU.
D1	2 [3]		
D2	3 [4]		
D3	4 [5]		
D4	5 [6]		
D5	6 [7]		
D6	7 [8]		
D7	8 [9]		
DCD	38 [42]	I	Data Carrier Detect. DCD is a modem status signal whose condition can be checked by reading bit 7 (DCD) of the Modem Status Register. Bit 3 (DDCD) of the Modem Status Register indicates that this signal has changed state since the last read from the Modem Status Register. If the Modem Status Interrupt is enabled when the DCD changes state, an interrupt is generated.
DDIS	23 [26]	O	Driver Disable. This output is active (high) when the CPU is not reading data. When active, this output can be used to disable an external transceiver.
DSR	37 [41]	I	Data Set Ready. DSR is a modem status signal whose condition can be checked by reading bit 5 (DSR) of the Modem Status Register. Bit 1 (DDSR) of the Modem Status Register indicates that this signal has changed state since the last read from the Modem Status Register. If the modem status interrupt is enabled when the DSR changes state, an interrupt is generated.
DTR	33 [37]	O	Data Terminal Ready. When active (low), DTR informs a modem or data set that the ACE is ready to establish communication. DTR is placed in the active state by setting the DTR bit of the Modem Control Register to a high level. DTR is placed in the inactive state either as a result of a Master Reset or during loop mode operation or resetting bit 0 (DTR) of the Modem Control Register.
INTRPT	30 [33]	O	Interrupt. When active (high), INTRPT informs the CPU that the ACE has an interrupt to be serviced. Four conditions that cause an interrupt to be issued are: a receiver error, received data is available or timeout (FIFO mode only), the transmitter holding register is empty, and an enabled modem status interrupt. The INTRPT output is reset (deactivated) either when the interrupt is serviced or as a result of a Master Reset.
MR	35 [39]	I	Master Reset. When active (high), MR clears most ACE registers and sets the state of various output signals. Refer to Table 2, ACE Reset Functions.
OUT1	34 [38]	O	Outputs 1 and 2. User-designated output pins that are set to their active states by setting their respective Modem Control Register bits (OUT 1 and OUT 2) high. OUT 1 and OUT 2 are set to their inactive (high) states as a result of Master Reset or during loop mode operations or by resetting bit 2 (OUT 1) or bit 3 (OUT 2) of the MCR.
OUT2	31 [35]		
RCLK	9 [10]	I	Receiver Clock. The 16 X baud rate clock for the receiver section of the ACE.
RD1	21 [24]	I	Read inputs. When either input is active (high or low, respectively) while the ACE is selected, the CPU is allowed to read status information or data from a selected ACE register. Only one of these inputs is required for the transfer of data during a read operation; the other input should be tied in its inactive state (i.e., RD2 tied low or RD1 tied high).
RD2	22 [25]		

† Pin numbers shown in brackets are for the FN package.

TL16C550A ASYNCHRONOUS COMMUNICATIONS ELEMENT

PIN		I/O	DESCRIPTION
NAME	NO.†		
RI	39 [43]	I	Ring indicator. RI is a modem status signal whose condition can be checked by reading bit 6 (RI) of the Modem Status Register. Bit 2 (TERI) of the Modem Status Register indicates that the RI input has transitioned from a low to a high state since the last read from the Modem Status Register. If the Modem Status Interrupt is enabled when this transition occurs, an interrupt is generated.
RTS	32 [36]	O	Request to Send. When active, informs the modem or data set that the ACE is ready to transmit data. RTS is set to its active state by setting the RTS Modem Control Register bit and is set to its inactive (high) state either as a result of a Master Reset or during loop-mode operations or by resetting bit 1 (RTS) of the MCR.
RXRDY	29 [32]	O	Receiver Ready Output. Receiver DMA signalling is available with this pin. When operating in the FIFO mode, one of two types of DMA signalling can be selected via FCR3. When operating in the TL16V450 mode, only DMA Mode 0 is allowed. Mode 0 supports single-transfer DMA in which a transfer is made between CPU bus cycles. Mode 1 supports multitransfer DMA in which multiple transfers are made continuously until the receiver FIFO has been emptied. In DMA Mode 0 (FCRO = 0 or FCRO = 1, FCR3 = 0), if there is at least 1 character in the receiver FIFO or receiver holding register, RXRDY will go active (low). When RXRDY has been active but there are no characters in the FIFO or holding register, RXRDY will go inactive (high). In DMA Mode 1 (FCRO = 1, FCR3 = 1), when the trigger level or the timeout has been reached RXRDY will go active (low); when it has been active but there are no more characters in the FIFO or holding register, it will go inactive (high).
SIN	10 [11]	I	Serial Input. Serial data input from a connected communications device.
SOUT	11 [13]	O	Serial Output. Composite serial data output to a connected communication device. SOUT is set to the Marking (logic 1) state as a result of Master Reset.
TXRDY	24 [27]	O	Transmitter Ready Output. Transmitter DMA signalling is available with this pin. When operating in the FIFO mode, one of two types of DMA signalling can be selected via FCR3. When operating in the TL16C450 mode, only DMA mode 0 is allowed. Mode 0 supports single-transfer DMA in which a transfer is made between CPU bus cycles. Mode 1 supports multitransfer DMA in which multiple transfers are made continuously until the transmit FIFO has been filled.
V _{CC}	40 [44]		5-V Supply Voltage
V _{SS}	20 [22]		Supply Common
WR1	18 [20]	I	Write Inputs. When either input is active (high or low, respectively), while the ACE is selected, the CPU is allowed to write control words or data into a selected ACE register. Only one of these inputs if required to transfer data during a write operation; the other input should be tied in its inactive state (i.e., WR2 tied low or WR1 tied high).
WR2	19 [21]		
XIN	16 [18]	I/O	External Clock. Connects the ACE to the main timing reference (clock or crystal).
XOUT	17 [19]		

† Pin numbers shown in brackets are for the FN package.

absolute maximum ratings over free-air temperature range (unless otherwise noted)

Supply voltage range, V _{CC} (see Note 1)	−0.5 V to 7 V
Input voltage range at any input, V _I	−0.5 V to 7 V
Output voltage range, V _O	−0.5 V to 7 V
Operating free-air temperature range, T _A	0°C to 70°C
Storage temperature range	−65°C to 150°C
Case temperature for 10 seconds: FN package	260°C
Lead temperature 1,6 mm (1/16 inch) from case for 10 seconds: N package	260°C

NOTE 1: All voltage values are with respect to V_{SS}.

recommended operating conditions

	MIN	NOM	MAX	UNIT
Supply voltage, V _{CC}	4.75	5	5.25	V
High-level input voltage, V _{IH}	2	V _{CC}		V
Low-level input voltage, V _{IL}	−0.5	0.8		V
Operating free-air temperature, T _A	0	70		°C

TL16C550A ASYNCHRONOUS COMMUNICATIONS ELEMENT

electrical characteristics over recommended ranges of supply voltage and operating free-air temperature (unless otherwise noted)

PARAMETER		TEST CONDITIONS	MIN	TYP†	MAX	UNIT
V _{OH} ‡	High-level output voltage	I _{OH} = -1 mA	2.4			V
V _{OL} ‡	Low-level output voltage	I _{OL} = 1.6 mA			0.4	V
I _{ikg}	Input leakage current	V _{CC} = 5.25 V, V _{SS} = 0, V _i = 0 to 5.25 V, All other pins floating			±10	µA
I _{OZ}	High-impedance output current	V _{CC} = 5.25 V, V _{SS} = 0, V _O = 0 to 5.25 V, Chip selected in Write mode or Chip deselected			±20	µA
I _{CC}	Supply current	V _{CC} = 5.25 V, T _A = 25°C, SIN, DSR, DCD, CTS, and R1 at 2 V, All other inputs at 0.8 V, XTAL1 at 4 MHz, No load on outputs, Baud rate = 50 kilobits per second			10	mA
C _{XIN}	Clock input capacitance			15	20	pF
C _{XOUT}	Clock output capacitance			20	30	pF
C _i	Input capacitance	V _{CC} = 0, V _{SS} = 0, All other pins grounded, f = 1 MHz, T _A = 25°C		6	10	pF
C _O	Output capacitance			10	20	pF

† All typical values are at V_{CC} = 5 V, T_A = 25°C.

‡ These parameters apply for all outputs except XOUT.

system timing requirements over recommended ranges of supply voltage and operating free-air temperature

PARAMETER	ALT. SYMBOL	FIGURE	MIN	MAX	UNIT
t _{cR}	Cycle time, read (t _{w7} + t _{d8} + t _{d9})	RC	175		ns
t _{cW}	Cycle time, write (t _{w6} + t _{d5} + t _{d6})	WC	175		ns
t _{w5}	Pulse duration, address strobe low	t _{ADS}	2,3	15	ns
t _{w6}	Pulse duration, write strobe	t _{WR}	2	80	ns
t _{w7}	Pulse duration, read strobe	t _{RD}	3	80	ns
t _{w8}	Pulse duration, master reset	t _{MR}		1	µs
t _{su1}	Setup time, address	t _{AS}	2,3	15	ns
t _{su2}	Setup time, chip select	t _{CS}	2,3	15	ns
t _{su3}	Setup time, data	t _{DS}	2	15	ns
t _{h1}	Hold time, address	t _{AH}	2,3	0	ns
t _{h2}	Hold time, chip select	t _{CH}	2,3	0	ns
t _{h3}	Hold time, write to chip select	t _{WCS}	2	20	ns
t _{h4}	Hold time, write to address	t _{WA}	2	20	ns
t _{h5}	Hold time, data	t _{DH}	2	15	ns
t _{h6}	Hold time, read to chip select	t _{RCS}	3	20	ns
t _{h7}	Hold time, read to address	t _{RA}	3	20	ns
t _{d4} [§]	Delay time, select to write	t _{CSW}	2	15	ns
t _{d5} [§]	Delay time, address to write	t _{AW}	2	15	ns
t _{d6}	Delay time, write cycle	t _{WC}	2	80	ns
t _{d7} [§]	Delay time, chip select to read	t _{CSR}	3	15	ns
t _{d8} [§]	Delay time, address to read	t _{AR}	3	15	ns
t _{d9}	Delay time, read cycle	t _{RC}	3	80	ns

§ Only applies when ADS is low.

system switching characteristics over recommended ranges of supply voltage and operating free-air temperature (see Note 2)

PARAMETER		ALT. SYMBOL	FIGURE	TEST CONDITIONS	MIN	MAX	UNIT
t _{w1}	Pulse duration, clock high	t _{XH}	1	f = 9 MHz maximum	50		ns
t _{w2}	Pulse duration, clock low	t _{XL}	1	f = 9 MHz maximum	50		ns
t _{d10}	Delay time, read to data	t _{RVD}	3	C _L = 100 pF		60	ns
t _{d11}	Delay time, read to floating data	t _{HZ}	3	C _L = 100 pF	0	60	ns
t _{dis(R)}	Read to driver disable	t _{RDD}	3	C _L = 100 pF		60	ns

baud generator switching characteristics over recommended ranges of supply voltage and operating free-air temperature

PARAMETER		ALT. SYMBOL	FIGURE	TEST CONDITIONS	MIN	MAX	UNIT
t _{w3}	Pulse duration, BAUDOUT low	t _{LW}	1	f = 9 MHz, CLK ÷ 2, C _L = 100 pF	80		ns
t _{w4}	Pulse duration, BAUDOUT high	t _{HW}	1	f = 9 MHz, CLK ÷ 2, C _L = 100 pF	100		ns
t _{d1}	Delay time, BAUDOUT low to high	t _{BLD}	1	C _L = 100 pF		125	ns
t _{d2}	Delay time, BAUDOUT high to low	t _{BHD}	1	C _L = 100 pF		125	ns

receiver switching characteristics over recommended ranges of supply voltage and operating free-air temperature (see Note 3)

PARAMETER		ALT. SYMBOL	FIGURE	TEST CONDITIONS	MIN	MAX	UNIT
t _{d12}	Delay time, RCLK to sample	t _{SCD}	4			100	ns
t _{d13}	Delay time, stop to set interrupt or to LS	t _{SINT}	4,5,6,7,8			1	RCLK cycles
t _{d14}	Delay time, read to reset interrupt	t _{RINT}	4,5,6,7,8	C _L = 100 pF		150	ns

transmitter switching characteristics over recommended ranges of supply voltage and operating free-air temperature

PARAMETER		ALT. SYMBOL	FIGURE	TEST CONDITIONS	MIN	MAX	UNIT
t _{d15}	Delay time, initial write to transmit start	t _{IRS}	9		8	24	baudout cycles
t _{d16}	Delay time, stop to interrupt	t _{STI}	9		8	8	baudout cycles
t _{d17}	Delay time, write THR to reset interrupt	t _{HR}	9	C _L = 100 pF		140	ns
t _{d18}	Delay time, initial write to interrupt (THRE)	t _{SI}	9		16	32	baudout cycles
t _{d19}	Delay time, read IIR to reset interrupt (THRE)	t _{IR}	9	C _L = 100 pF		140	ns
t _{d20}	Delay time, write to TXRDY inactive	t _{WXI}	10,11	C _L = 100 pF		195	ns
t _{d21}	Delay time, start to TXRDY active	t _{SXA}	10,11	C _L = 100 pF		8	baudout cycles

modem control switching characteristics over recommended ranges of supply voltage and operating free-air temperature

PARAMETER		ALT. SYMBOL	FIGURE	TEST CONDITIONS	MIN	MAX	UNIT
t _{d22}	Delay time, write MCR to output	t _{MDO}	12	C _L = 100 pF		100	ns
t _{d23}	Delay time, modem interrupt to set interrupt	t _{SIM}	12	C _L = 100 pF		170	ns
t _{d24}	Delay time, read MSR to reset interrupt	t _{IRM}	12	C _L = 100 pF		140	ns

NOTES: 2. Charge and discharge time is determined by V_{OL}, V_{OH}, and external loading.
 3. In FIFO mode RC = 425 ns (minimum) between reads of the receiver FIFO and the status registers (interrupt identification register or line status register).

PARAMETER MEASUREMENT INFORMATION

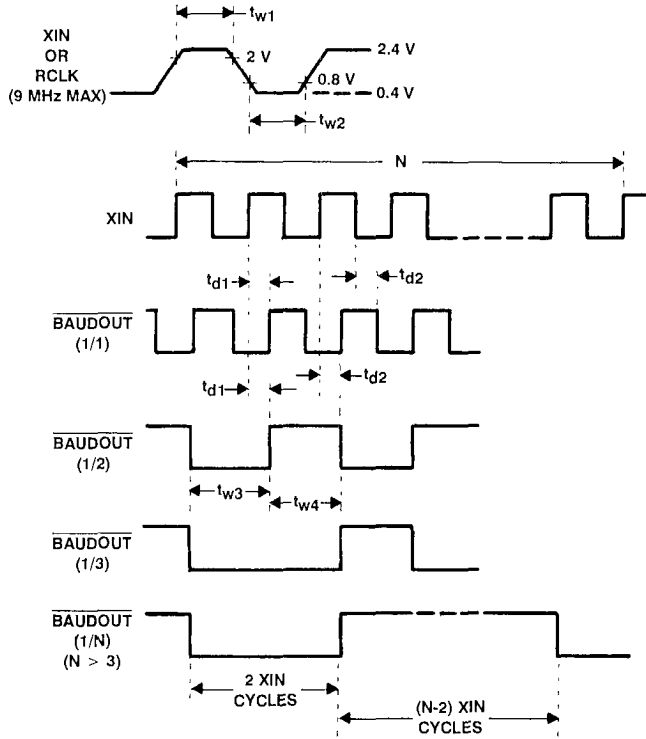
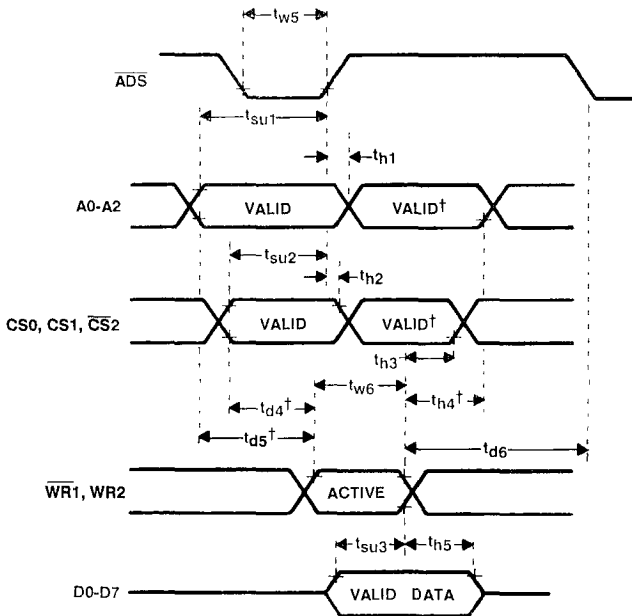


FIGURE 1. BAUD GENERATOR TIMING

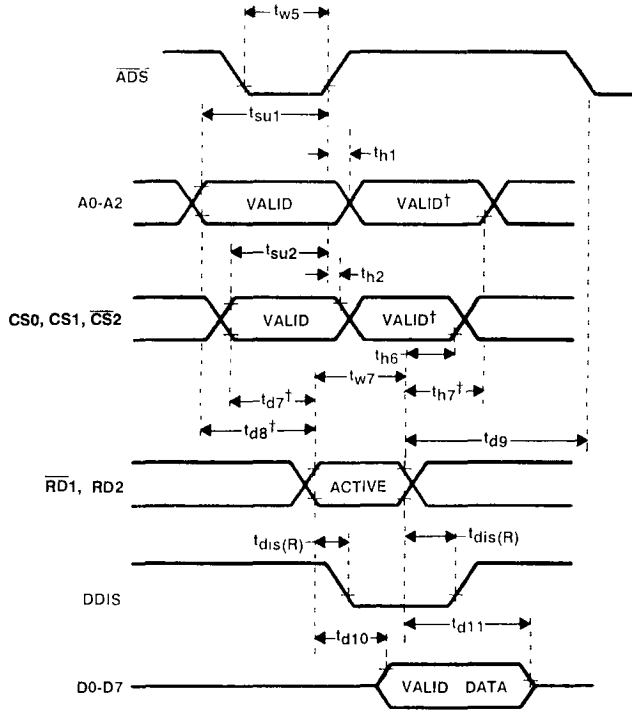
PARAMETER MEASUREMENT INFORMATION



† Applicable only when $\overline{\text{ADS}}$ is tied low.

FIGURE 2. WRITE CYCLE TIMING

PARAMETER MEASUREMENT INFORMATION



† Applicable only when \overline{ADS} is tied low.

FIGURE 3. READ CYCLE TIMING

PARAMETER MEASUREMENT INFORMATION

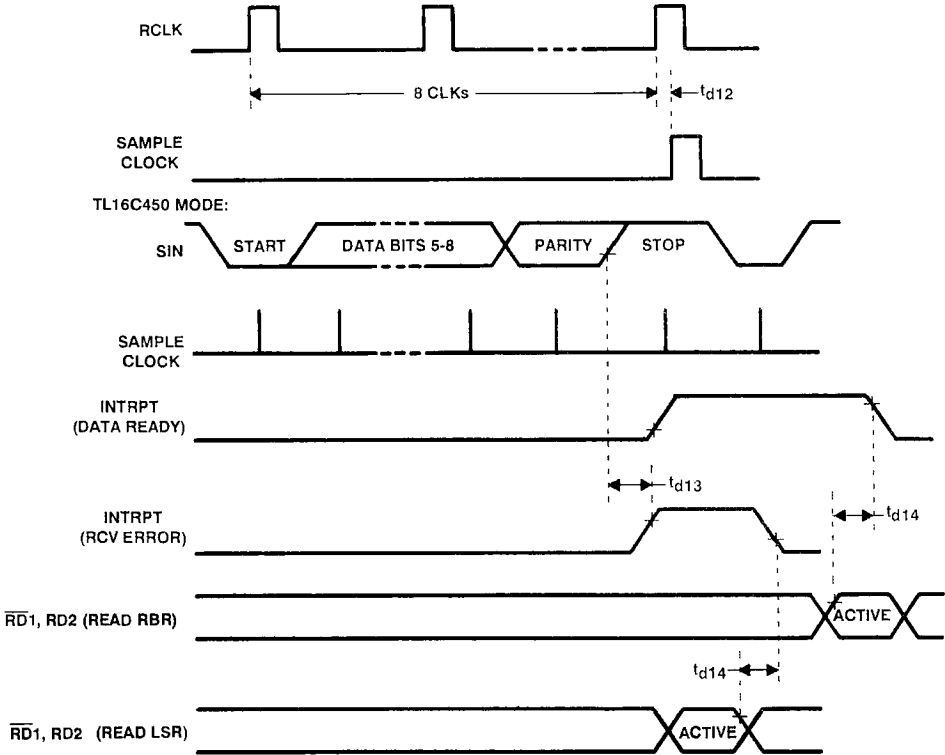


FIGURE 4. RECEIVER TIMING

PARAMETER MEASUREMENT INFORMATION

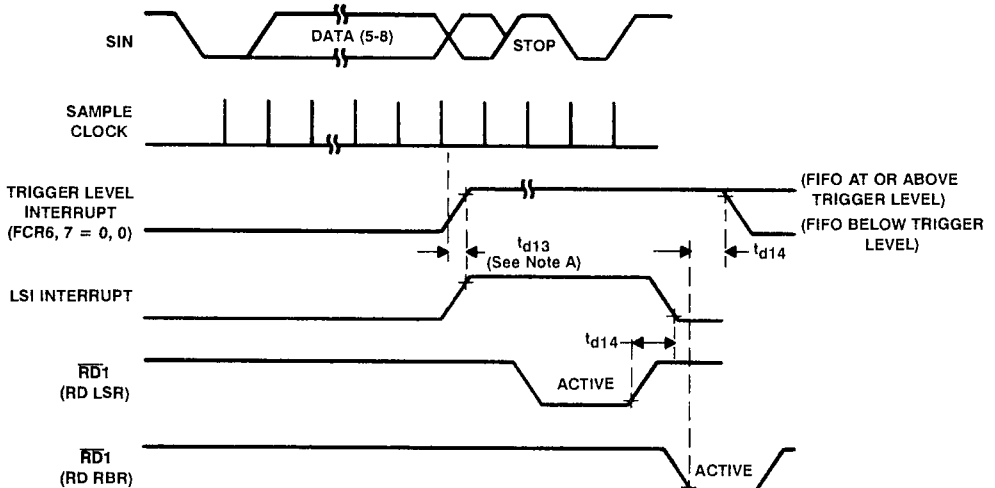


FIGURE 5. RECEIVER FIFO FIRST BYTE (SETS DR BIT)

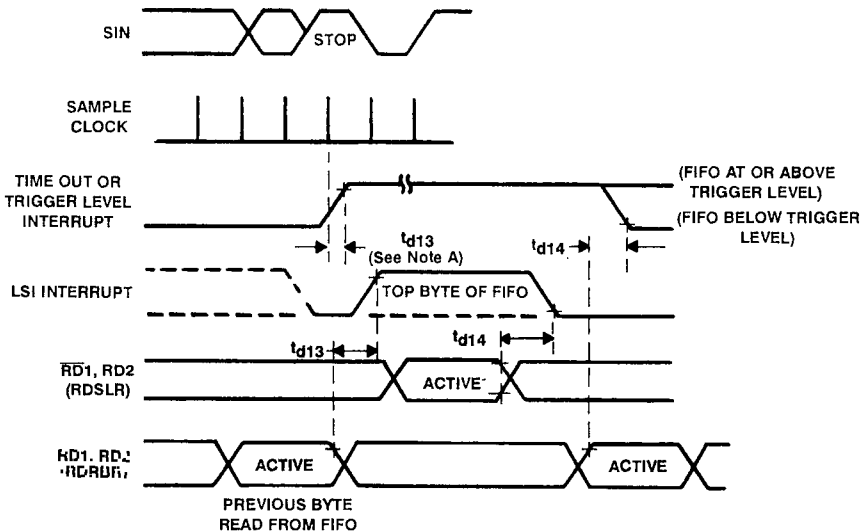
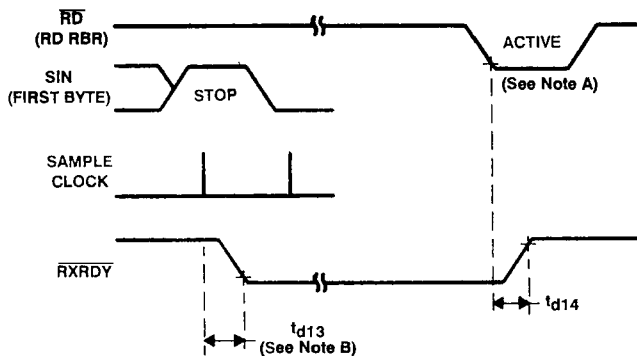


FIGURE 6. RECEIVER FIFO BYTES OTHER THAN THE FIRST BYTE (DR INTERNAL BIT ALREADY SET)

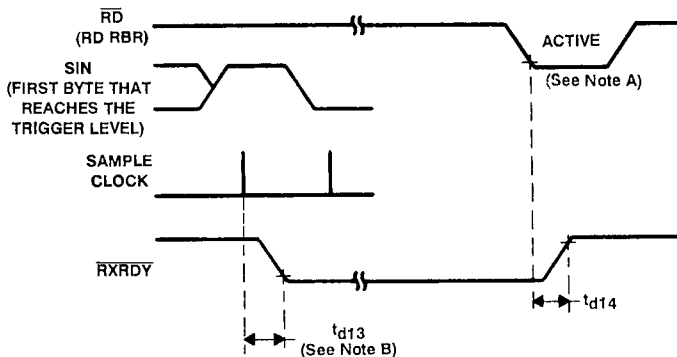
NOTE A: For a timeout interrupt, $t_{d13} = 8$ RCLKs.

PARAMETER MEASUREMENT INFORMATION



NOTES: A. This is the reading of the last byte in the FIFO.
 B. For a timeout interrupt, $t_{d13} = 8$ RCLKs.

FIGURE 7. RECEIVER READY (PIN 29), FCR0 = 0 OR FCR0 = 1 AND FCR3 = 0 (MODE 0)



NOTES: A. This is the reading of the last byte in the FIFO.
 B. For a timeout interrupt, $t_{d13} = 8$ RCLKs.

FIGURE 8. RECEIVER READY (PIN 29) FCR = 1 AND FCR3 = 1 (MODE 1)

PARAMETER MEASUREMENT INFORMATION

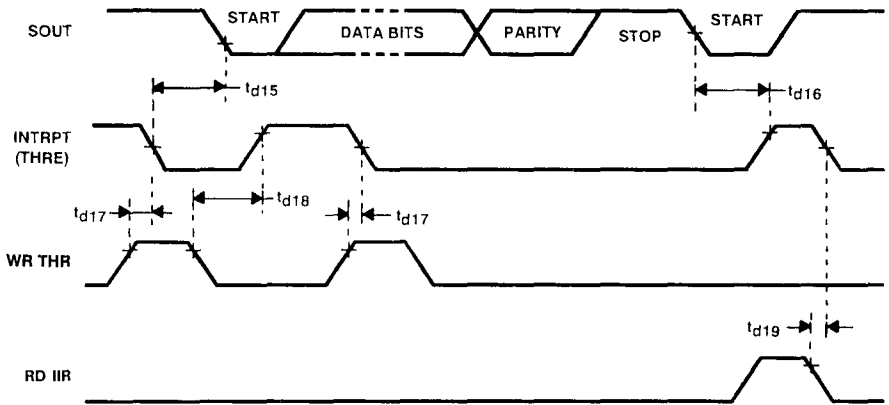


FIGURE 9. TRANSMITTER TIMING

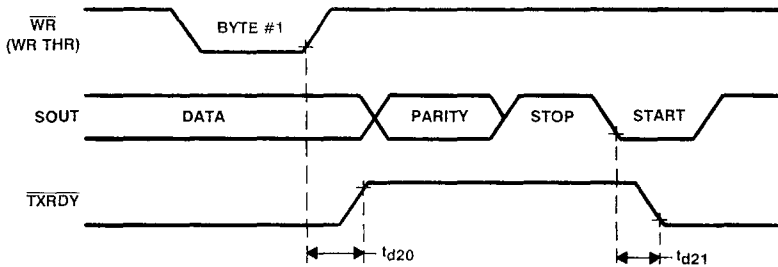


FIGURE 10. TRANSMITTER READY (PIN 24), FCR0 = 0 OR FCR0 = 1 AND FCR3 = 0 (MODE 0)

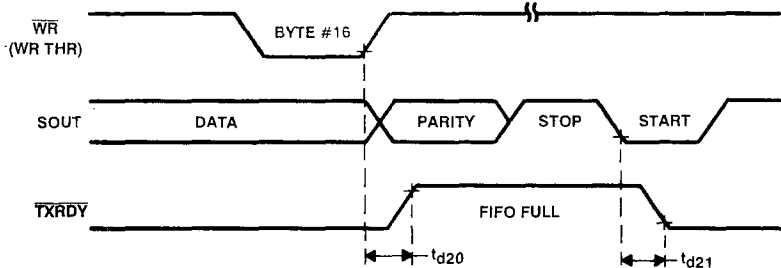


FIGURE 11. TRANSMITTER READY (PIN 24) FCR0 = 1 AND FCR3 = 1 (MODE 1)

PARAMETER MEASUREMENT INFORMATION

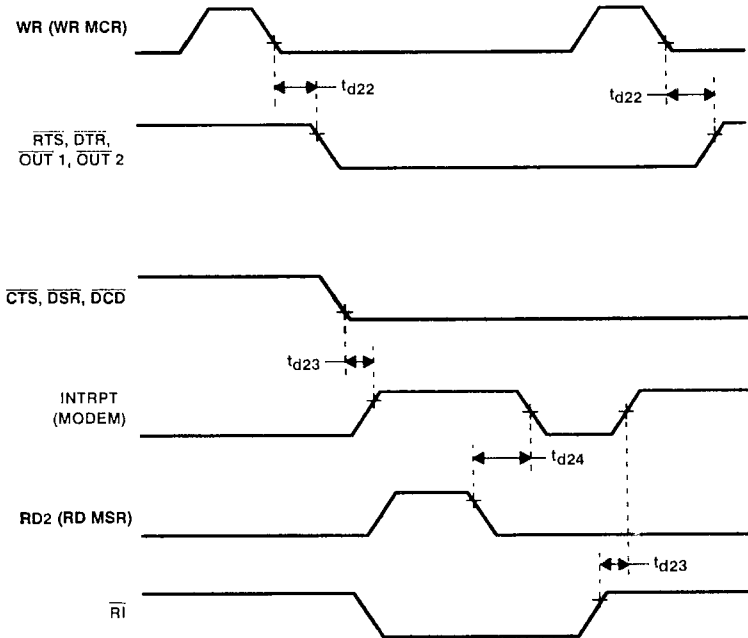


FIGURE 12. MODEM CONTROL TIMING

**TL16C550A
ASYNCHRONOUS COMMUNICATIONS ELEMENT**

APPLICATION INFORMATION

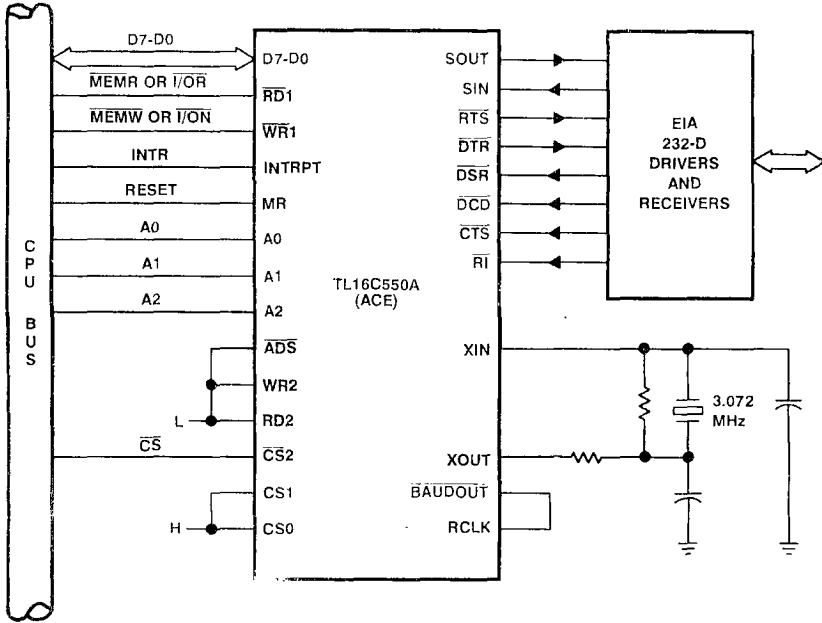


FIGURE 13. BASIC TL16C550A CONFIGURATION

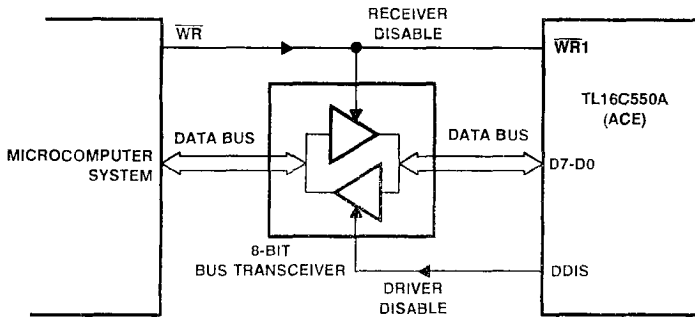


FIGURE 14. TYPICAL INTERFACE FOR A HIGH-CAPACITY DATA BUS

APPLICATION INFORMATION

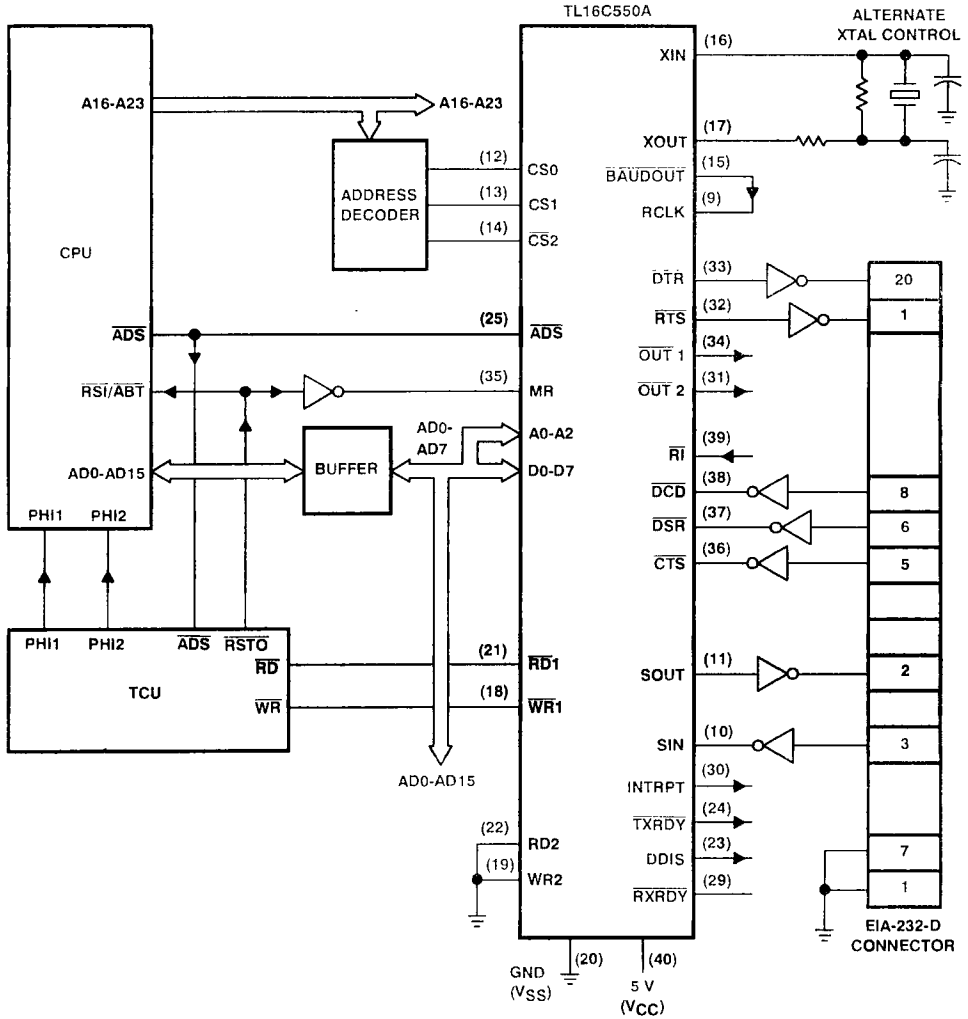


FIGURE 15. TYPICAL TL16C550A CONNECTION TO A CPU

TL16C550A ASYNCHRONOUS COMMUNICATIONS ELEMENT

PRINCIPLES OF OPERATION

TABLE 1. REGISTER SELECTION

DLAB†	A2	A1	A0	REGISTER
0	L	L	L	Receiver buffer (read), transmitter holding register (write)
0	L	L	H	Interrupt enable
X	L	H	L	Interrupt identification (read only)
X	L	H	L	FIFO control (write)
X	L	H	H	Line control
X	H	L	L	Modem control
X	H	L	H	Line status
X	H	H	L	Modem status
X	H	H	H	Scratch
1	L	L	L	Divisor latch
1	L	L	H	Divisor Latch

† The Divisor Latch Access Bit (DLAB) is the most significant bit of the Line Control Register. The DLAB signal is controlled by writing to this bit location (see Table 3).

TABLE 2. ACE RESET FUNCTIONS

REGISTER/SIGNAL	RESET CONDITION	RESET STATE
Interrupt Enable Register	Master Reset	All bits low (0-3 forced and 4-7 permanent)
Interrupt Identification Register	Master Reset	Bit 0 is high, bits 1-3 are low, and bits 4-7 are permanently low
FIFO Control	Master Reset	All bits low
Line Control Register	Master Reset	All bits low
Modem Control Register	Master Reset	Bits 0-4 are low (5-7 permanent)
Line Status Register	Master Reset	Bits 5 and 6 are high, all other bits are low
Modem Status Register	Master Reset	Bits 0-3 are low, bits 4-7 are input signals
SOUT	Master Reset	High
INTRPT (Receiver Error Flag)	Read LSR/MR	Low
INTRPT (Received Data Available)	Read RBR/MR	Low
INTRPT (Transmitter Holding Register Empty)	Read THR/MR	Low
INTRPT (Modem Status Changes)	Read MSR/MR	Low
OUT 2	Master Reset	High
RTS	Master Reset	High
DTR	Master Reset	High
INTRPT 1	Master Reset	High
Divisor Latch Register	Master Reset	No effect
Divisor Latch (LSB and MSB) Registers	Master Reset	No effect
Receiver Buffer Register	Master Reset	No effect
Transmitter Holding Register	Master Reset	No effect
RCVR FIFO	MR/FCR1-FCR0/ ΔFCR0	All bits low
XMIT FIFO	MR/FCR2-FCR0/ ΔFCR0	All bits low

PRINCIPLES OF OPERATION

accessible registers

The system programmer, via the CPU, has access to and control over any of the ACE registers that are summarized in Table 3. These registers are used to control ACE operations, receive data, and transmit data. Descriptions of these registers follow Table 3.

TABLE 3. SUMMARY OF ACCESSIBLE REGISTERS

Bit No.	REGISTER ADDRESS											
	0 DLAB=0	0 DLAB=0	1 DLAB=0	2	2	3	4	5	6	7	0 DLAB=1	1 DLAB=1
	Receiver Buffer Register (Read Only)	Transmitter Holding Register (Write Only)	Interrupt Enable Register	Interrupt Ident. Register (Read Only)	FIFO Control Register (Write Only)	Line Control Register	Modem Control Register	Line Status Register	MODEM Status Register	Scratch Register	Divisor Latch (LSB)	Latch (MSB)
RBR	THR	IER	IIR	FCR	LCR	MCR	LSR	MSR	SCR	DLL	DLM	
0	Data Bit 0†	Data Bit 0	Enable Received Data Available Interrupt (ERBI)	0* if Interrupt Pending	FIFO Enable	Word Length Select Bit 1 (WLS1)	Data Terminal Ready (DTR)	Data Ready (DR)	Delta Clear to Send (ΔCTS)	Bit 0	Bit 0	Bit 8
1	Data Bit 1	Data Bit 1	Enable Transmitter Holding Register Enable (ETHE)	Interrupt ID Bit (0)	Receiver FIFO Reset	Word Length Select Bit 1 (WLS1)	Receive Ready (RR)	Delta Data Set Ready (ΔDSR)		Bit 1	Bit 1	Bit 9
2	Data Bit 2	Data Bit 2	Receive Line Status Interrupt (ELSI)	Interrupt ID Bit (1)	Transmitter FIFO Reset	Number of Stop Bits (STB)	Out 1	Parity Error (PE)	Trailing Zeroes (TZ)	Bit 2	Bit 2	Bit 10
3	Data Bit 3	Data Bit 3	Enable MODFM	Interrupt ID Bit (2) (Note 4)	DMA Mode Select	Parity Enable (PEN)	Out 2	Framing Error (FE)	Delta Data Carrier Detect (ΔDCD)	Bit 3	Bit 3	Bit 11
4	Data Bit 4	Data Bit 4	0	0	Reserved	Even Parity Select (EPS)	Loop	Break Interrupt (BI)	Clear to Send (CTS)	Bit 4	Bit 4	Bit 12
5	Data Bit 5	Data Bit 5	0	0	Reserved	Stick Parity	0	Transmitter Holding Register (THRE)	Data Set Ready (DSR)	Bit 5	Bit 5	Bit 13
6	Data Bit 6	Data Bit 6	0	FIFO ID Bit (3) (Note 4)	Receiver Trigger (LSB)	Sat Break	0	Transmitter Empty (TEMT)	Ring Indicator (RI)	Bit 6	Bit 6	Bit 14
7	Data Bit 7	Data Bit 7	0	FIFO ID Bit (4) (Note 4)	**	Divisor Latch Access Bit (DLAB)	0	Error in RCVR FIFO (Note 4)	Data	Bit 7	Bit 7	Bit 15

† Bit 0 is the least significant bit. It is the first bit serially transmitted or received.

NOTE 4: These bits are always 0 in the TL16C450 mode.

PRINCIPLES OF OPERATION

receiver buffer register (RBR)

The ACE's receiver section consists of a Receiver Shift Register (RSR) and a Receiver Buffer Register (RBR). The RBR is actually a 16-byte FIFO. Timing is supplied by the 16 X Receiver Clock (RCLK). Receiver section control is a function of the ACE's Line Control Register.

The ACE's RSR receives serial data from the Serial Input (SIN) pin. The RSR then deserializes the data and moves it into the RBR FIFO. In the TL16C450 mode, when a character is placed in the Receiver Buffer Register and the Received Data Available interrupt is enabled, an interrupt is generated. This interrupt is cleared when the data is read out of the Receiver Buffer Register. In the FIFO mode, the interrupts are generated based on the control setup in the FIFO Control Register.

transmitter holding register (THR)

The ACE's transmitter section consists of a Transmitter Holding Register (THR) and a Transmitter Shift Register (TSR). The THR is actually a 16-byte FIFO. Timing is supplied by the Baud Out (BAUDOUT) clock signal. Transmitter section control is a function of the ACE's Line Control Register.

The ACE THR receives data off the Internal Data Bus and, when the shift register is idle, moves it into the TSR. The TSR serializes the data and outputs it at the Serial Output (SOUT). In the TL16C450 mode, if the THR is empty and the Transmitter Holding Register Empty (THRE) interrupt is enabled, an interrupt is generated. This interrupt is cleared when a character is loaded into the register. In the FIFO mode, the interrupts are generated based on the control setup in the FIFO control register.

interrupt enable register (IER)

The Interrupt Enable Register enables each of the five types of interrupts (refer to Table 4) and the INTRPT output signal in response to an interrupt generation. The interrupt Enable Register can also be used to disable the interrupt system by setting bits 0 through 3 to logic 0. The contents of this register are summarized in Table 3 and are described below.

Bit 0. This bit, when set to logic 1, enables the Received Data Available interrupt.

Bit 1. This bit, when set to logic 1, enables the Transmitter Holding Register Empty interrupt.

Bit 2. This bit, when set to logic 1, enables the Receiver Line Status interrupt.

Bit 3. This bit, when set to logic 1, enables the Modem Status interrupt.

Bits 4 thru 7. Bits 4 through 7 in the Interrupt Enable Register are not used and are always set to logic 0.

FIFO control register

The FIFO control register (FCR) is a write-only register at the same location as the IIR, which is a read-only register. The FCR is used to enable the FIFOs, clear the FIFOs, set the receiver FIFO trigger level, and select the type of DMA signalling.

Bit 0. FCR0, when set to logic 1, enables the transmit and receive FIFOs. This bit must be a 1 when other FCR bits are written to or they will not be programmed. Changing this bit clears the FIFOs.

Bit 1. FCR1, when set to logic 1, clears all bytes in the receiver FIFO and resets its counter logic to 0. The shift register is not cleared. The 1 that is written to this bit position is self clearing.

Bit 2. FCR2, when set to logic 1, clears all bytes in the transmit FIFO and resets its counter to 0. The shift register is not cleared. The 1 that is written to this bit position is self clearing.

Bit 3. If FCR0 is a 1, setting FCR3 to a 1 causes the $\overline{\text{RXRDY}}$ and $\overline{\text{TXRDY}}$ to change from mode 0 to mode 1.

PRINCIPLES OF OPERATION

Bits 4 and 5. FCR4 and FCR5 are reserved for future use.

Bits 6 and 7. FCR6 and FCR7 are used to set the trigger level for the receiver FIFO interrupt.

BIT 7	BIT 6	RECEIVER FIFO TRIGGER LEVEL (BYTES)
0	0	01
0	1	04
1	0	08
1	1	14

interrupt identification register (IIR)

The ACE has an on-chip interrupt generation and prioritization capability that permits a flexible interface with most popular microprocessors.

The ACE provides four prioritized levels of interrupts:

- Priority 1 — Receiver line status (highest priority)
- Priority 2 — Receiver data ready or Receiver character timeout
- Priority 3 — Transmitter holding register empty
- Priority 4 — Modem status (lowest priority)

When an interrupt is generated, the Interrupt Identification Register indicates that an interrupt is pending and the type of that interrupt in its three least significant bits (bits 0, 1, and 2). The contents of this register are summarized in Table 3 and described in Table 4. Detail on each bit are as follows:

Bit 0. This bit can be used either in a hardwire-prioritized, or polled interrupt system. If this bit is a logic 0, an interrupt is pending. When bit 0 is a logic 1, no interrupt is pending.

Bits 1 and 2. These two bits are used to identify the highest priority interrupt pending, as indicated in Table 4.

Bit 3. This bit is always 0 in the TL16C450 mode. In FIFO mode, this bit is set with bit 2 to indicate that a timeout interrupt is pending.

Bits 4 thru 5. These two bits are not used and are always set at logic 0.

Bits 6 and 7. These two bits are always 0 in the TL16C450 mode. They are set when bit 0 of the FIFO Control Register is equal to 1.

**TL16C550A
ASYNCHRONOUS COMMUNICATIONS ELEMENT**

PRINCIPLES OF OPERATION

TABLE 4. INTERRUPT CONTROL FUNCTIONS

INTERRUPT IDENTIFICATION REGISTER				PRIORITY LEVEL	INTERRUPT TYPE	INTERRUPT SOURCE	INTERRUPT RESET METHOD
BIT 3	BIT 2	BIT 1	BIT 0				
0	0	0	1	None	None	None	—
0	1	1	0	1	Receiver line status	Overrun error, parity error, framing error, or break interrupt	Reading the Line Status register
1	1	0	0	2	Received data available	Receiver data available in the TL16C450 mode or trigger level reached in the FIFO mode.	Reading the Receiver buffer Buffer register
1	1	0	0	2	Character timeout indication	No characters have been removed from or input to the receiver FIFO during the last four character times and there is at least one character in it during this time	Reading the Receiver Buffer Register
0	0	1	0	3	Transmitter Holding register empty	Transmitter Holding register empty	Reading the Interrupt Identification register (if source of interrupt) or writing into the Transmitter Holding register
0	0	0	0	4	Modem status	Clear to Send, Data Set Ready, Ring Indicator, or Data Carrier Detect	Reading the Modem Status register



PRINCIPLES OF OPERATION

line control register (LCR)

The system programmer controls the format of the asynchronous data communication exchange through the Line Control register. In addition, the programmer is able to retrieve, inspect, and modify the contents of the Line Control register; this eliminates the need for separate storage of the line characteristics in system memory. The contents of this register are summarized in Table 3 and are described below.

Bits 0 and 1. These two bits specify the number of bits in each transmitted or received serial character. These bits are encoded as follows:

Bit 1	Bit 0	Word Length
0	0	5 Bits
0	1	6 Bits
1	0	7 Bits
1	1	8 Bits

Bit 2. This bit specifies either one, one and one-half, or two Stop bits in each transmitted character. If bit 2 is a logic 0, one Stop bit is generated in the data. If bit 2 is a logic 1, the number of Stop bits generated is dependent on the word length selected with bits 0 and 1. The receive clocks the first stop bit only, regardless of the number of stop bits selected. The number of Stop bits generated, in relation to word length and bit 2, is shown in the following.

Bit 2	Word Length Selected by Bits 1 and 2	Number of Stop Bits Generated
0	Any word length	1
1	5 bits	1 1/2
1	6 bits	2
1	7 bits	2
1	8 bits	2

Bit 3. This bit is the Parity Enable bit. When bit 3 is a logic 1, a Parity bit is generated in transmitted data between the last data word bit and the first stop bit. In received data, if bit 3 is a logic 1, parity is checked. When bit 3 is a logic 0, no parity is generated or checked.

Bit 4. Bit 4 is the Even Parity Select bit. When parity is enabled by bit 3: a logic 1 in bit 4 produces Even Parity (an even number of logic 1s in the data and parity bits) and a logic 0 in bit 4 produces Odd Parity (an odd number of logic 1s).

Bit 5. This is the Stick parity bit. When bits 3, 4, and 5 are logic 1s, the Parity bit is transmitted and checked as a logic 0. When bits 3 and 5 are logic 1s and bit 4 is a logic 0, the Parity bit is transmitted and checked as a logic 1. If bit 5 is a logic 0, stick parity is disabled.

Bit 6. This bit is the Break Control bit. Bit 6 is set to a logic 1 to force a break condition, i.e, a condition where the Serial Output (SOUT) pin is forced to the spacing (logic 0) state. When bit 6 is set to a logic 0, the break condition is disabled. The break condition has no effect on the transmitter logic; it only effects the serial output.

Bit 7. This bit is the Divisor Latch Access bit (DLAB). Bit 7 must be set to a logic 1 to access the Divisor Latches of the Baud Generator during a read or write. Bit 7 must be set to a logic 0 during a read or write to access the Receiver Buffer, the Transmitter Holding register, or the Interrupt Enable register.

modem control register (MCR)

The Modem Control register is an 8-bit register that controls an interface with a modem, data set, or peripheral device that is emulating a modem. The contents of this register are summarized in Table 3 and are described below.

Bit 0. Bit 0 (DTR) controls the Data Terminal Ready ($\overline{\text{DTR}}$) output. Setting this bit to a logic 1 forces the $\overline{\text{DTR}}$ output to its low state. When bit 0 is set to a logic 0, $\overline{\text{DTR}}$ goes high.

Bit 1. Bit 1 (RTS) controls the Request to Send ($\overline{\text{RTS}}$) output in a manner identical to Bit 0's control over the $\overline{\text{DTR}}$ output.

Bit 2. Bit 2 (OUT 1) controls the Output 1 ($\overline{\text{OUT 1}}$) signal, a user-designated output signal, in a manner identical to Bit 0's control over the $\overline{\text{DTR}}$ output.

Bit 3. Bit 3 (OUT 2) controls the Output 2 ($\overline{\text{OUT 2}}$) signal, a user-designated output signal, in a manner identical to Bit 0's control over the $\overline{\text{DTR}}$ output.

Bit 4. Bit 4 provides a local loopback feature for diagnostic testing of the ACE. When this bit is set to a logic high, the following occurs:

1. The transmitter Serial Output (SOUT) is set high.
2. The receiver Serial Input (SIN) is disconnected.
3. The output of the Transmitter Shift register is fed back into the Receiver Shift register input.
4. The four modem control inputs ($\overline{\text{CTS}}$, $\overline{\text{RTS}}$, $\overline{\text{OUT 1}}$, and $\overline{\text{OUT 2}}$) are disconnected.
5. The four modem control outputs ($\overline{\text{DTR}}$, $\overline{\text{RTS}}$, $\overline{\text{OUT 1}}$, and $\overline{\text{OUT 2}}$) are internally connected to the four modem control inputs.
6. The four modem control output pins are forced to their inactive states (high).

In the diagnostic mode, data that is transmitted is immediately received. This allows the processor to verify the transmit- and receive-data paths to the ACE. The receiver and transmitter interrupts are fully operational. The modem control interrupts are also operational but the modem control interrupt's sources are now the lower four bits of the Modem Control register instead of the four modem control inputs. All interrupts are still controlled by the Interrupt Enable register.

Bit 5 through 7. These bits are permanently set to logic 0.

line status register (LSR)†

The Line Status Register provides information to the CPU concerning the status of data transfers. The contents of this register are described below and summarized in Table 3.

Bit 0. Bit 0 is the Data Ready (DR) indicator for the receiver. This bit is set to a logic 1 condition whenever a complete incoming character has been received and transferred into the Receiver Buffer register or the FIFO and is reset to logic 0 by reading all of the data in the Receiver Buffer Register or the FIFO.

Bit 1‡. Bit 1 is the Overrun Error (OE) indicator. When this bit is set to logic 1, it indicates that before the character in the Receiver Buffer register was read, it was overwritten by the next character transferred into the register. The OE indicator is reset every time the CPU reads the contents of the Line Status register. If the FIFO mode data continues to fill the FIFO beyond the trigger level, an overrun error will occur only after the FIFO is full and the next character has been completely received in the shift register. OE is indicated to the CPU as soon as it happens. The character in the shift register is overwritten, but is not transferred to the FIFO.

Bit 2‡. Bit 2 is the Parity Error (PE) indicator. When this bit is set to logic 1, it indicates that the parity of the received data character does not match the parity selected in the Line Control Register (bit 4). The PE bit is reset every time the CPU reads the contents of the Line Status register. In the FIFO mode, this error is

† The Line Status register is intended for read operations only; writing to this register is not recommended outside of a factory testing environment.

‡ Bits 1 through 4 are the error conditions that produce a Receiver Line Status interrupt.

associated with the particular character in the FIFO to which it applies. This error is revealed to the CPU when its associated character is at the top of the FIFO.

Bit 3[†]. Bit 3 is the Framing Error (FE) indicator. When this bit is set to logic 1, it indicates that the received character did not have a valid (logic 1) Stop bit. The FE bit is reset every time the CPU reads the contents of the Line Status register. In the FIFO mode, this error is associated with the particular character in the FIFO to which it applies. This error is revealed to the CPU when its associated character is at the top of the FIFO. The ACE will try to resynchronize after a framing error. To accomplish this, it is assumed that the framing error is due to the next start bit. The ACE then samples this start bit twice and then accepts the input data.

Bit 4[†]. Bit 4 is the Break Interrupt (BI) indicator. When this bit is set to logic 1, it indicates that the received data input was held in the logic 0 state for longer than a full-word transmission time. A "full-word transmission time" is defined as the total time of the Start, Data, Parity, and Stop bits. The BI bit is reset every time the CPU reads the contents of the Line Status register. In the FIFO mode, this error is associated with the particular character in the FIFO to which it applies. This error is revealed to the CPU when its associated character is at the top of the FIFO. When break occurs, only one 0 character is loaded into the FIFO. The next character transfer is enabled after SIN goes to the marking state and receives the next valid start bit.

Bit 5. Bit 5 is the Transmitter Holding Register Empty (THRE) indicator. This bit is set to logic 1 when the Transmitter Holding Register is empty, indicating that the ACE is ready to accept a new character. If the THRE interrupt is enabled when the THRE bit is a logic 1, then an interrupt is generated. THRE is set to a logic 1 when the contents of the Transmitter Holding Register are transferred to the transmitted Shift Register. This bit is reset to logic 0 concurrent with the loading of the Transmitter Holding Register by the CPU. In the FIFO mode, this bit is set when the transmit FIFO is empty; it is cleared when at least 1 byte is written to the transmit FIFO.

Bit 6. Bit 6 is the Transmitter Empty (TEMT) indicator. This bit is set to a logic 1 when the Transmitter Holding register and the Transmitter Shift register are both empty. When either the Transmitter Holding register or the Transmitter Shift register contains a data character, the TEMT bit is reset to logic 0. In the FIFO mode, this bit is set to a 1 when the transmitter FIFO and shift register are both empty.

Bit 7. In the TL16C550A, this bit is always reset to logic 0. In the TL16C450 mode, this bit is always a 0. In the FIFO mode, LSR7 is set when there is at least one parity, framing, or break error in the FIFO. It is cleared when the microprocessor reads the LSR and there are no subsequent errors in the FIFO.

[†] Bits 1 through 4 are the error conditions that produce a Receiver Line Status interrupt.

modem status register (MSR)

The Modem Status register is an 8-bit register that provides information about the current state of the control lines from the modem, data set, or peripheral device to the CPU. Additionally, four bits of this register provides change information; when a control input from the modem changes state, the appropriate bit is set to logic 1. All four bits are reset to logic 0 when the CPU reads the Modem Status register. The contents of this register are summarized in Table 3 and are described below.

Bit 0. Bit 0 is the change in Clear to Send (DCTS) indicator. This bit indicates that the $\overline{\text{CTS}}$ input has changed state since the last time it was read by the CPU. When this bit is a logic 1 and the Modem Status Interrupt is enabled, a Modem Status Interrupt is generated.

Bit 1. Bit 1 is the change in Data Set Ready (DDSR) indicator. This bit indicates that the $\overline{\text{DSR}}$ input has changed state since the last time it was read by the CPU. When this bit is a logic 1 and the Modem Status Interrupt is enabled, a Modem Status Interrupt is generated.

Bit 2. Bit 2 is the Trailing Edge of Ring Indicator (TERI) detector. This bit indicates that the $\overline{\text{RI}}$ input to the chip has changed from a low to a high state. When this bit is a logic 1 and the Modem Status Interrupt is enabled, a Modem Status Interrupt is generated.

TL16C550A

ASYNCHRONOUS COMMUNICATIONS ELEMENT

Bit 3. Bit 3 is the change in Data Carrier Detect (DDCD) indicator. This bit indicates that the \overline{DCD} input to the chip has changed state since the last time it was read by the CPU. When this bit is a logic 1 and the Modem Status Interrupt is enabled, a Modem Status Interrupt is generated.

Bit 4. Bit 4 is the compliment of the Clear to Send (\overline{CTS}) input. If Bit 4 (loop) of the Modem Control register is set to a logic 1, this bit is equivalent to the Modem Control register bit 1 (RTS).

Bit 5. Bit 5 is the compliment of the Data Set Ready (\overline{DSR}) input. If Bit 4 (loop) of the Modem Control register is set to a logic 1, this bit is equivalent to the Modem Control register bit 0 (DTR).

Bit 6. Bit 6 is the compliment of the Ring Indicator (\overline{RI}) input. If Bit 4 (loop) of the Modem Control register is set to a logic 1, this bit is equivalent to the Modem Control registers bit 2 (OUT 1).

Bit 7. Bit 7 is the compliment of the Data Carrier Detect (\overline{DCD}) input. If Bit 4 (loop) of the Modem Control register is set to a logic 1, this bit is equivalent to the Modem Control registers bit 3 (OUT 2).

scratch register (SCR)

The Scratch register is an 8-bit register that is intended for the programmer's use as a "scratchpad," in the sense that it will temporarily hold the programmer's data without affecting any other ACE operation.

programmable baud generator

The ACE contains a programmable baud generator that takes a clock input in the range between dc and 8 MHz and divides it by a divisor in the range between 1 and $2^{16}-1$. The output frequency of the baud generator is sixteen times (16 X) the baud rate. The formula for the divisor is:

$$\text{divisor \#} = \text{XIN frequency input} \div (\text{desired baud rate} \times 16)$$

Two 8-bit registers, called divisor latches, are used to store the divisor in a 16-bit binary format. These divisor latches must be loaded during initialization of the ACE in order to ensure desired operation of the baud generator. When either of the divisor latches is loaded, a 16-bit baud counter is also loaded to prevent long counts on initial load.

Tables 5 and 6, which follow, illustrate the use of the baud generator with crystal frequencies of 1.8432 MHz and 3.072 MHz, respectively. For baud rates of 38.4 kilobits per second and below, the error obtained is very small. The accuracy of the selected baud rate is dependent on the selected crystal frequency.

Refer to Figure 10 for examples of typical clock circuits.

FIFO interrupt-mode operation

When the receiver FIFO and receiver interrupts are enabled ($FCR0 = 1$, $IER0 = 1$) receiver interrupts will occur as follows:

1. The Receive Data Available interrupt will be issued to the microprocessor when the FIFO has reached its programmed trigger level. It will be cleared as soon as the FIFO drops below its programmed trigger level.
2. The IIR Receive Data Available indication also occurs when the FIFO trigger level is reached, and, like the interrupt, it is cleared when the FIFO drops below the trigger level.
3. The Receiver Line Status interrupt ($IIR = 06$), as before, has higher priority than the Received Data Available ($IIR = 04$) interrupt.
4. The data ready bit ($LSR0$) is set as soon as a character is transferred from the shift register to the receiver FIFO. It is reset when the FIFO is empty.

When receiver FIFO and receiver interrupts are enabled, receiver FIFO timeout interrupts will occur as follows:

1. FIFO timeout interrupt will occur if the following conditions exist:
 - a. At least one character is in the FIFO.
 - b. The most recent serial character received was longer than 4 continuous character times ago (if 2 stop bits are programmed, the second one is included in this time delay).

- c. The most recent microprocessor read of the FIFO was longer than 4 continuous character times ago.

This will cause a maximum character received to interrupt issued delay of 160 ms at 300 baud with a 12-bit character.

2. Character times are calculated by using the RCLK input for a clock signal (this makes the delay proportional to the baud rate).
3. When a timeout interrupt has occurred, it is cleared and the timer reset when the microprocessor reads one character from the receiver FIFO.
4. When a timeout interrupt has not occurred, the timeout timer is reset after a new character is received or after the microprocessor reads the receiver FIFO.

When the transmit FIFO and transmitter interrupts are enabled ($FCR0 = 1$, $IER1 = 1$), transmit interrupts will occur as follows:

1. The Transmitter Holding Register interrupt (02) occurs when the transmit FIFO is empty. It is cleared as soon as the Transmitter Holding Register is written to (1 to 16 characters may be written to the transmit FIFO while servicing this interrupt) or the IIR is read.
2. The Transmit FIFO Empty indications will be delayed 1 character time minus the last stop bit time when the following occurs: $THRE = 1$ and there have not been at least two bytes at the same time in the transmit FIFO since the last $THRE = 1$. The first transmitter interrupt after changing $FCR0$ will be immediate, if it is enabled.

Character timeout and receiver FIFO trigger level interrupts have the same priority as the current Received Data Available interrupt; Transmit FIFO Empty has the same priority as the current Transmitter Holding Register Empty interrupt.

FIFO polled-mode operation

With $FCR0 = 1$, resetting $IER0$, $IER1$, $IER2$, $IER3$, or all four to 0 puts the ACE in the FIFO Polled Mode of operation. Since the receiver and transmitter are controlled separately, either one or both can be in the polled mode of operation.

In this mode, the user program will check receiver and transmitter status via the LSR. As stated previously:

1. $LSR0$ will be set as long as there is one byte in the receiver FIFO.
2. $LSR1$ through $LSR4$ will specify which error(s) have occurred. Character error status is handled the same way as when in the interrupt mode, the IIR is not affected since $IER2 = 0$.
3. $LSR5$ will indicate when the transmit FIFO is empty.
4. $LSR6$ will indicate that both the transmit FIFO and shift registers are empty.
5. $LSR7$ will indicate whether there are any errors in the receiver FIFO.

There is no trigger level reached or timeout conditions indicated in the FIFO Polled Mode. However, the receiver and transmit FIFOs are still fully capable of holding characters.

**TL16C550A
ASYNCHRONOUS COMMUNICATIONS ELEMENT**

PRINCIPLES OF OPERATION

TABLE 5. BAUD RATES USING A 1.8432-MHz CRYSTAL

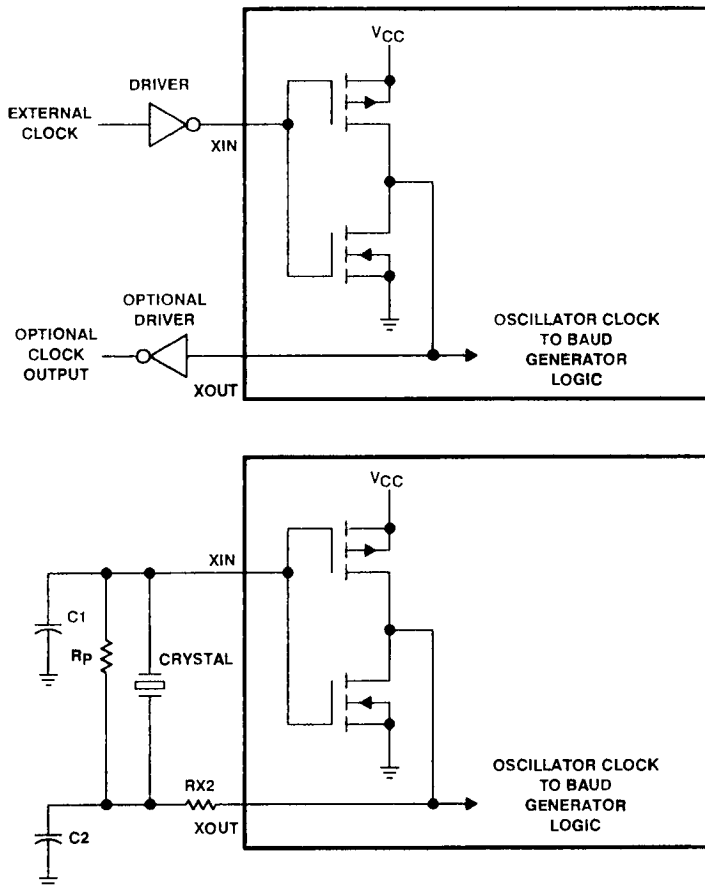
DESIRED BAUD RATE	DIVISOR USED TO GENERATE 16 X CLOCK	PERCENT ERROR DIFFERENCE BETWEEN DESIRED AND ACTUAL
50	2304	
75	1536	
110	1047	0.026
134.5	857	0.058
150	768	
300	384	
600	192	
1200	96	
1800	64	
2000	58	0.69
2400	48	
3600	32	
4800	24	
7200	16	
9600	12	
19200	6	
38400	3	
	2	2.86

TABLE 6. BAUD RATES USING A 3.072-MHz CRYSTAL

DESIRED BAUD RATE	DIVISOR USED TO GENERATE 16 X CLOCK	PERCENT ERROR DIFFERENCE BETWEEN DESIRED AND ACTUAL
50	3840	
75	2560	
110	1745	
134.5	1428	
150	1280	
300	640	
600	320	
1200	160	
1800	107	0.312
2000	96	
2400	80	
3600	53	0.628
4000	40	
4800	27	1.23
9600	20	
12000	10	
16000	5	



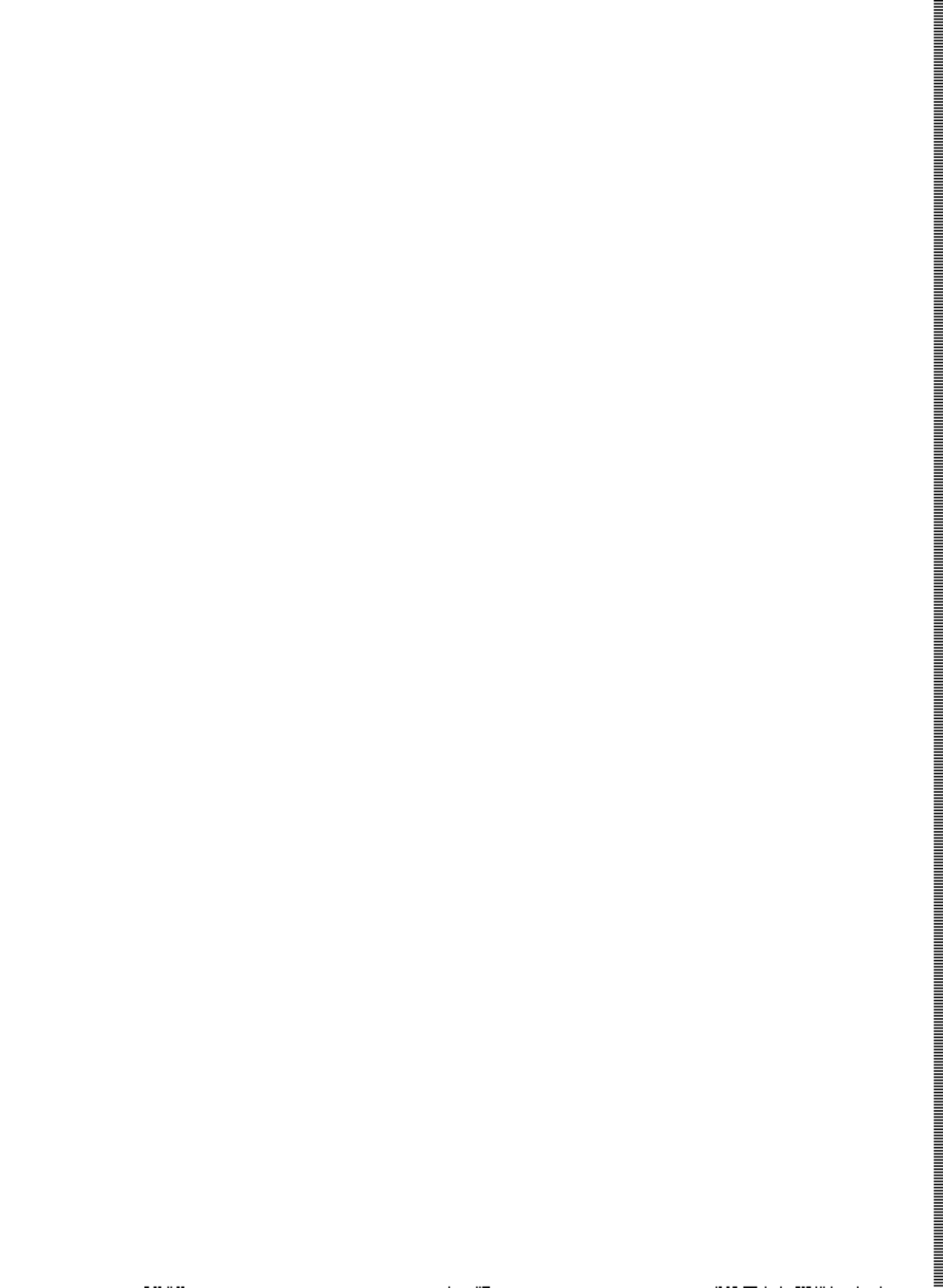
PRINCIPLES OF OPERATION



TYPICAL CRYSTAL OSCILLATOR NETWORK

CRYSTAL	R_p	R_{X2}	C_1	C_2
3.1 MHz	1 M Ω	1.5 k Ω	10-30 pF	40-60 pF
1.8 MHz	1 M Ω	1.5 k Ω	10-30 pF	40-60 pF

FIGURE 16. TYPICAL CLOCK CIRCUITS

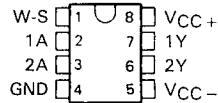


uA9636AC DUAL LINE DRIVERS WITH ADJUSTABLE SLEW RATE

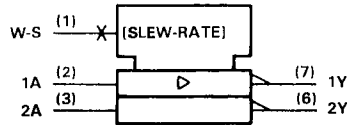
D2608, OCTOBER 1980—REVISED SEPTEMBER 1986

- Meets EIA Standards RS-423-A and RS-232-C and Federal Standard 1030
- Slew Rate Control
- Output Short-Circuit-Current Limiting
- Wide Supply Voltage Range
- 8-Pin Package
- Designed to Be Interchangeable With Fairchild 9636A

D, JG, OR P PACKAGE
(TOP VIEW)

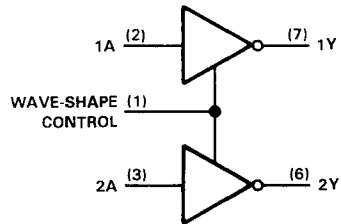


logic symbol†



† This symbol is in accordance with ANSI/IEEE Std 91-1984 and IEC Publication 617-12.

logic diagram

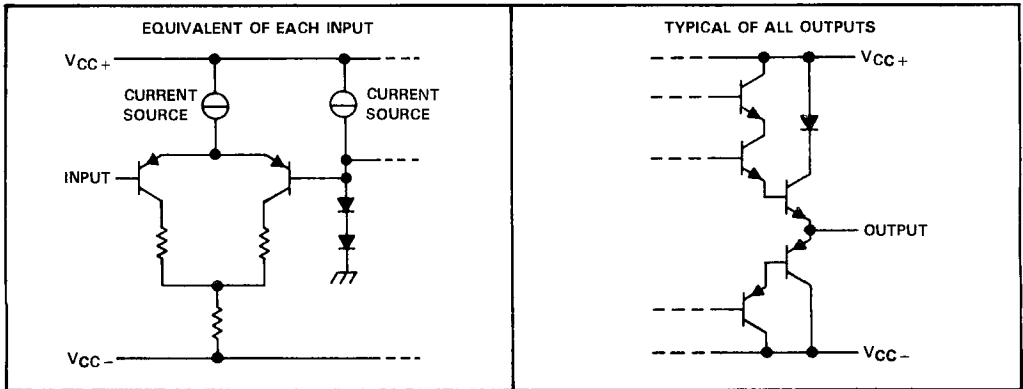


description

The uA9636AC is a dual single-ended line driver designed to meet EIA Standards RS-423-A and RS-232-C and Federal Standard 1030. The slew rates of both amplifiers are controlled by a single external resistor, R_{WS} , connected between the wave-shape-control terminal and ground. Output current limiting is provided. Inputs are compatible with TTL and CMOS and are diode-protected against negative transients. This device operates from ± 12 V and is supplied in an 8-pin package.

The uA9636AC is characterized for operation from 0°C to 70°C.

schematics of inputs and outputs



uA9636AC
DUAL LINE DRIVERS WITH ADJUSTABLE SLEW RATE

absolute maximum ratings over operating free-air temperature range (unless otherwise noted)

Positive supply voltage range, V_{CC+} (see Note 1)	V_{CC-} to 15 V
Negative supply voltage range, V_{CC-}	0.5 V to -15 V
Output voltage	± 15 V
Output current	± 150 mA
Continuous total power dissipation (see Note 2)	See Dissipation Rating Table
Operating free-air temperature range	0°C to 70°C
Storage temperature range	-65°C to 150°C
Lead temperature 1,6 mm (1/16 inch) from case for 60 seconds: JG package	300°C
Lead temperature 1,6 mm (1/16 inch) from case for 10 seconds: D and P packages	260°C

- NOTES: 1. All voltage values are with respect to the network ground terminal.
 2. In the JG package, uA9636AC chips are glass mounted.

DISSIPATION RATING TABLE

PACKAGE	$T_A = 25^\circ\text{C}$	DERATING FACTOR	$T_A = 70^\circ\text{C}$
	POWER RATING	ABOVE $T_A = 25^\circ\text{C}$	POWER RATING
D	725 mW	5.8 mW/°C	464 mW
JG	825 mW	6.6 mW/°C	528 mW
P	1000 mW	8.0 mW/°C	640 mW

recommended operating conditions

	MIN	NOM	MAX	UNIT
Positive supply voltage, V_{CC+}	10.8	12	13.2	V
Negative supply voltage, V_{CC-}	-10.8	-12	-13.2	V
High-level input voltage, V_{IH}	2			V
Low-level input voltage, V_{IL}			0.8	V
Wave-shaping resistor, R_{WS}	10			k Ω
Operating free-air temperature, T_A	0		70	°C



uA9636AC

DUAL LINE DRIVERS WITH ADJUSTABLE SLEW RATE

electrical characteristics over recommended range of free-air temperature, supply voltage, and wave-shaping resistance (unless otherwise noted)

PARAMETER	TEST CONDITIONS	MIN TYP [†] MAX (See Note 3)			UNIT	
		MIN	TYP	MAX		
V _{IK} Input clamp voltage	I _I = -15 mA	-1.1	-1.5		V	
V _{OH} High-level output voltage	V _I = 0.8 V	R _L = ∞	5	5.6	6	V
		R _L = 3 kΩ to ground	5	5.6	6	
		R _L = 450 Ω to ground	4	5.4	6	
V _{OL} Low-level output voltage	V _I = 2 V	R _L = ∞	-6	-5.7	-5	V
		R _L = 3 kΩ to ground	-6	-5.6	-5	
		R _L = 450 Ω to ground	-6	-5.4	-4	
I _{IH} High-level input current	V _I = 2.4 V			10	μA	
	V _I = 5.5 V			0		
I _{IL} Low-level input current	V _I = 0.4 V		-20	0	μA	
I _O Output current (power off)	V _{CC±} = 0, V _O = ±6 V			±	μA	
I _{OS} Short-circuit output current [‡]	V _I = 2 V		15	25	mA	
	V _I = 0		-15	-40 -150		
r _o Output resistance	R _L = 450 Ω		25	50	Ω	
I _{CC+} Positive supply current	V _{CC} = ±12 V, R _{WS} = 100 kΩ, V _I = 0, Output open		13	18	mA	
I _{CC-} Negative supply current	V _{CC} = ±12 V, R _{WS} = 100 kΩ, V _I = 0, Output open		-13	-18	mA	

[†]All typical values are at V_{CC} ± 12 V, T_A = 25°C.

[‡]Not more than one output should be shorted to ground at a time.

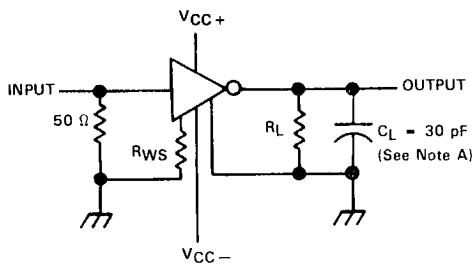
NOTE 3: The algebraic convention, in which the less-positive (more-negative) limit is designated as minimum, is used in this data sheet for logic voltage levels, e.g., when -5 V is the maximum, the minimum is a more-negative voltage.

switching characteristics, V_{CC±} = 12 V, T_A = 25°C, see Figure 1

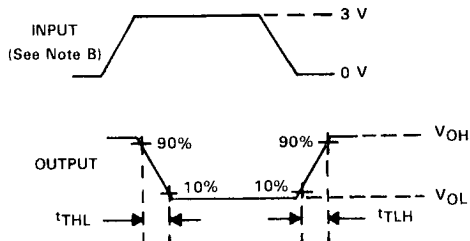
PARAMETER	TEST CONDITIONS	MIN TYP MAX			UNIT	
		MIN	TYP	MAX		
t _{TLH} Transition time, low-to-high-level output	R _L = 450 Ω, C _L = 30 pF	R _{WS} = 10 kΩ	0.8	1.1	1.4	μs
		R _{WS} = 100 kΩ	8	11	14	
		R _{WS} = 500 kΩ	40	55	70	
		R _{WS} = 1 MΩ	80	110	140	
t _{THL} Transition time, high-to-low-level output	R _L = 450 Ω, C _L = 30 pF	R _{WS} = 10 kΩ	0.8	1.1	1.4	μs
		R _{WS} = : <Ω	8	11	14	
		R _{WS} = : <Ω	40	55	70	
		R _{WS} = 1 mΩ	80	110	140	

uA9636AC
DUAL LINE DRIVERS WITH ADJUSTABLE SLEW RATE

PARAMETER MEASUREMENT INFORMATION



TEST CIRCUIT



VOLTAGE WAVEFORMS

- NOTES: A. C_L includes probe and jig capacitance.
 B. The input pulse is supplied by a generator having the following characteristics: $t_r \leq 10$ ns, $t_f \leq 10$ ns, $Z_o = 50 \Omega$, $PRR \leq 1$ kHz, duty cycle = 50%.

FIGURE 1. TRANSITION TIMES

TYPICAL CHARACTERISTICS

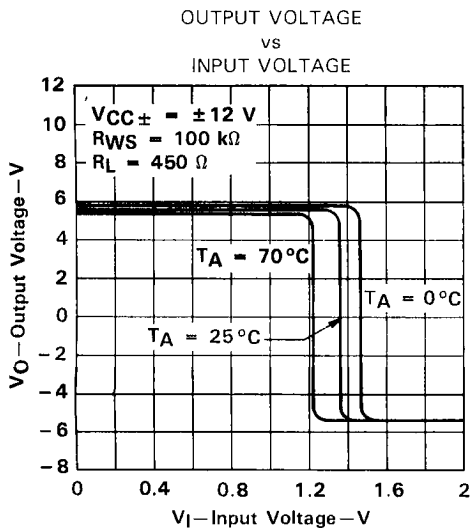


FIGURE 2

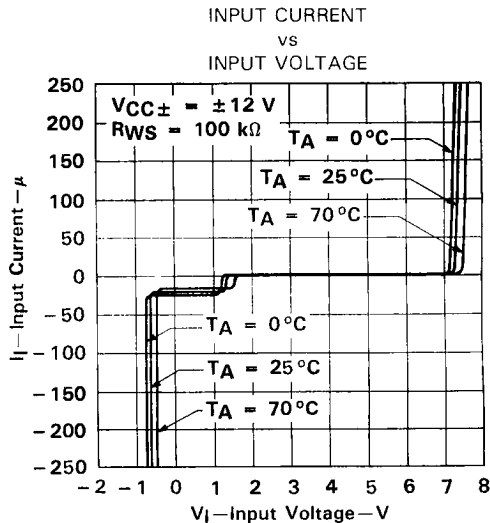


FIGURE 3

TYPICAL CHARACTERISTICS

OUTPUT CURRENT
vs
OUTPUT VOLTAGE
(POWER ON)

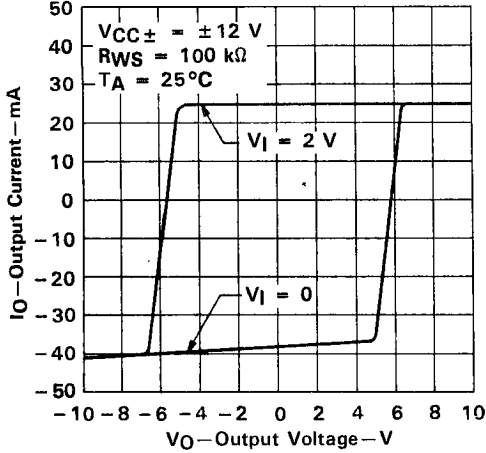


FIGURE 4

OUTPUT CURRENT
vs
OUTPUT VOLTAGE
(POWER OFF)

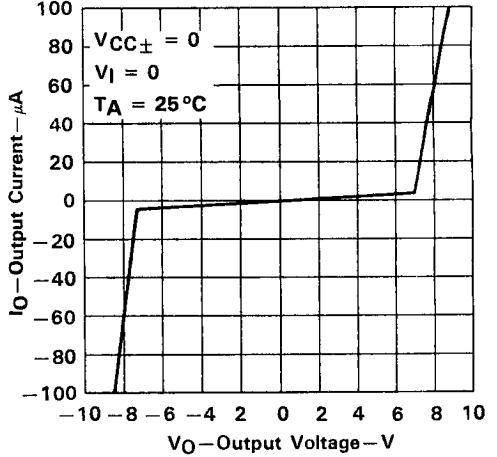


FIGURE 5

TRANSITION TIMES
vs
WAVESHAPING RESISTANCE

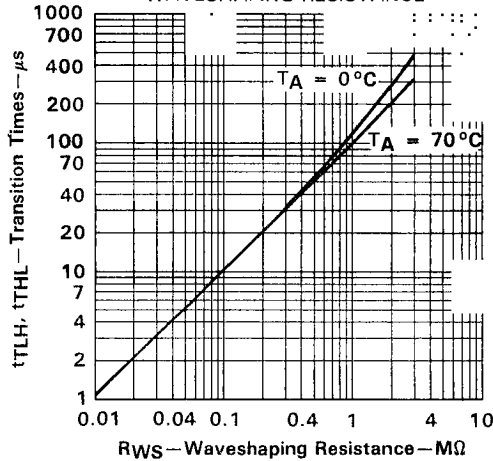


FIGURE 6

μ A9636AC DUAL LINE DRIVERS WITH ADJUSTABLE SLEW RATE

APPLICATION INFORMATION

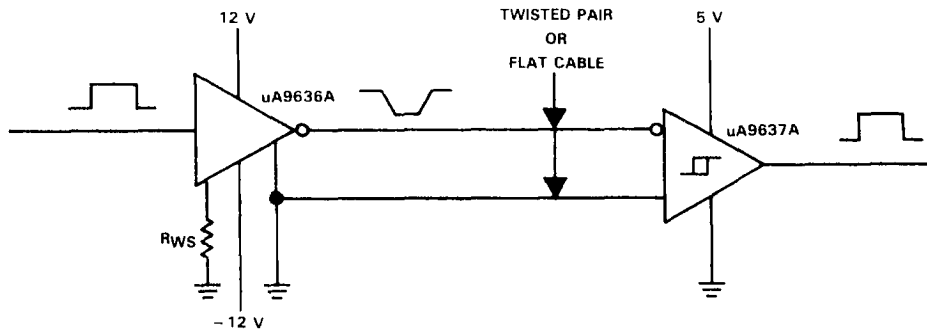


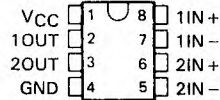
FIGURE 7. RS-423-A SYSTEM APPLICATION

μA9637AM, μA9637AC DUAL DIFFERENTIAL LINE RECEIVER

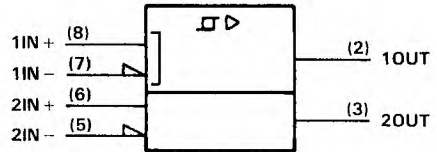
D2609, SEPTEMBER 1980—REVISED NOVEMBER 1986

- Meets EIA Standards RS-422-A and RS-423-A
- Meets Federal Standards 1020 and 1030
- Operates from Single 5-V Power Supply
- Wide Common-Mode Voltage Range
- High Input Impedance
- TTL-Compatible Outputs
- High-Speed Schottky Circuitry
- 8-Pin Dual-In-Line and "Small Outline" Packages
- Similar to SN75157 except for Corner V_{CC} and Ground Pin Positions
- Designed to Be Interchangeable with Fairchild μ A9637A

μA9637M . . . JG PACKAGE
μA9637C . . . D, JG, OR P PACKAGE
(TOP VIEW)



logic symbol†



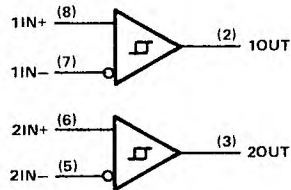
† This symbol is in accordance with ANSI/IEEE Std 91-1984 and IEC Publication 617-12.

description

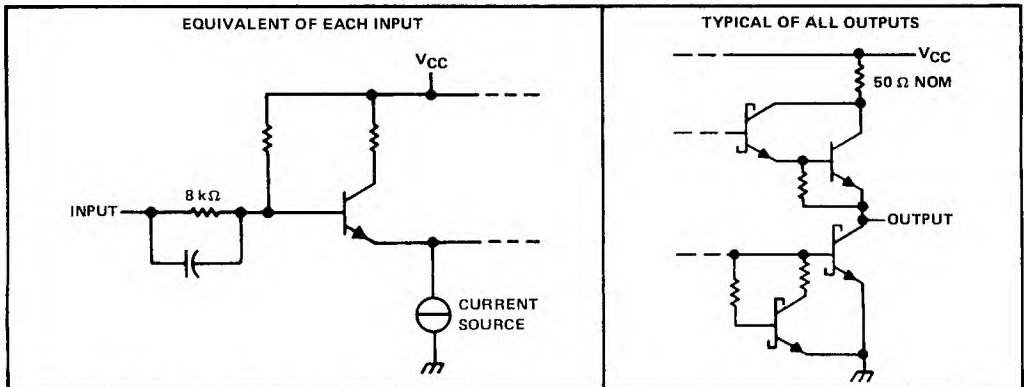
The μ A9637AC is a dual differential line receiver designed to meet EIA standards RS-422-A and RS-423-A and Federal Standards 1020 and 1030. It utilizes Schottky circuitry and has TTL-compatible outputs. The inputs are compatible with either a single-ended or a differential-line system. This device operates from a single 5-volt power supply and is supplied in an 8-pin dual-in-line package and small outline package.

The μ A9637AM is characterized over the full military temperature range of -55°C to 125°C . The μ A9637AC is characterized for operation from 0°C to 70°C .

logic diagram



schematics of inputs and outputs



PHOTODUPLICATION DATA description of this circuit is not intended as a specification for the circuit. Texas Instruments does not warrant, and its production processing does not necessarily include testing of all parameters.

Copyright © 1980, Texas Instruments Incorporated

TEXAS
INSTRUMENTS

POST OFFICE BOX 655303 • DALLAS, TEXAS 75265

2-961

uA9637AM, uA9637AC DUAL DIFFERENTIAL LINE RECEIVER

absolute maximum ratings over operating free-air temperature range (unless otherwise noted)

Supply voltage, V_{CC} (see Note 1)	-0.5 V to 7 V
Input voltage	± 15 V
Differential input voltage (see Note 2)	± 15 V
Output voltage (see Note 1)	-0.5 V to 5.5 V
Low-level output current	50 mA
Continuous total dissipation at (or below) 25°C free-air temperature (see Note 3):	
D package	725 mW
JG package: uA9637AM	1050 mW
uA9637AC	825 mW
P package	1000 mW
Operating free-air temperature range: uA9637AM	-55°C to 125°C
uA9637AC	0°C to 70°C
Storage temperature range	-65°C to 150°C
Lead temperature 1,6 mm (1/16 inch) from case for 60 seconds: JG package	300°C
Lead temperature 1,6 mm (1/16 inch) from case for 10 seconds: D or P package	260°C

- NOTES: 1. All voltage values, except differential input voltage, are with respect to the network ground terminal.
 2. Differential input voltage is measured at the noninverting input with respect to the corresponding inverting input.
 3. For operation above 25°C free-air temperature, derate linearly at the following rates: 5.8 mW/°C for the D package, 8.4 mW/°C for uA9637AM in the JG package, 6.6 mW/°C for uA9637AC in the JG package, and 8.0 mW/°C for the P package.

recommended operating conditions

	uA9637AM			uA9637AC			UNIT
	MIN	NOM	MAX	MIN	TYP	MAX	
Supply voltage, V_{CC}	4.5	5	5.5	4.75	5	5.25	V
Common-mode input voltage, V_{IC}			± 7			± 7	V
Operating free-air temperature, T_A	-55		125	0		70	°C

electrical characteristics over recommended ranges of supply voltage, common-mode input voltage, and operating free-air temperature (unless otherwise noted)

PARAMETER	TEST CONDITIONS	MIN	TYP [†]	MAX	UNIT
V_T Threshold voltage (V_{T+} and V_{T-})	See Note 5	-0.2		0.2	V
V_{hys} Hysteresis ($V_{T+} - V_{T-}$)			70		mV
V_{OH} High-level output voltage	$V_{ID} = 0.2$ V, $I_O = -1$ mA	2.5	3.5		V
V_{OL} Low-level output voltage	$V_{ID} = -0.2$ V, $I_O = 20$ mA		0.35	0.5	V
I_I Input current	$V_{CC} = 0$ to 5.5 V, $V_I = 10$ V See Note 6		1.1	3.25	mA
	$V_I = -10$ V		-1.6	-3.25	
I_{OS} Short-circuit output current [‡]	$V_O = 0$, $V_{ID} = 0.2$ V	-40	-75	-100	mA
I_{CC} Supply current	$V_{ID} = -0.5$ V, No load		35	50	mA

[†]All typical values are at $V_{CC} = 5$ V, $T_A = 25^\circ\text{C}$.

[‡]Only one output should be shorted at a time, and duration of the short-circuit should not exceed one second.

NOTES: 4. The algebraic convention, in which the less positive (more negative) limit is designated as minimum, is used in this data sheet for threshold levels only.

5. The expanded threshold parameter is tested with a 500- Ω resistor in series with each input.

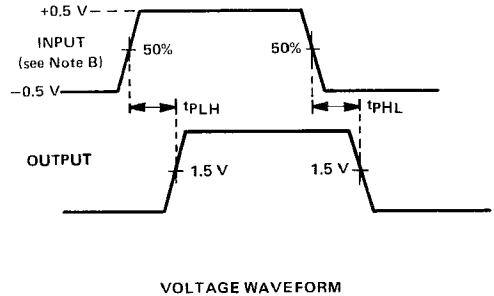
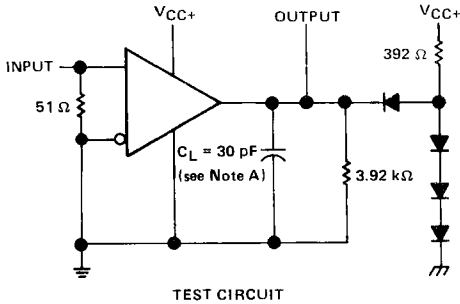
6. The input not under test is grounded.

uA9637AM, uA9637AC DUAL DIFFERENTIAL LINE RECEIVER

switching characteristics, $V_{CC} = 5\text{ V}$, $T_A = 25^\circ\text{C}$

PARAMETER	TEST CONDITION	MIN	TYP	MAX	UNIT
t_{PLH} Propagation delay time, low-to-high-level output	$C_L = 30\text{ pF}$, See Figure 1		15	25	ns
t_{PHL} Propagation delay time, high-to-low-level output			13	25	ns

PARAMETER MEASUREMENT INFORMATION



NOTES: A. C_L includes probe and jig capacitance.

B. The input pulse is supplied by a generator having the following characteristics: $t_r \leq 5\text{ ns}$, $t_f \leq 5\text{ ns}$, $PRR \leq 5\text{ MHz}$, duty cycle = 50%.

FIGURE 1. TRANSITION TIMES

TYPICAL CHARACTERISTICS

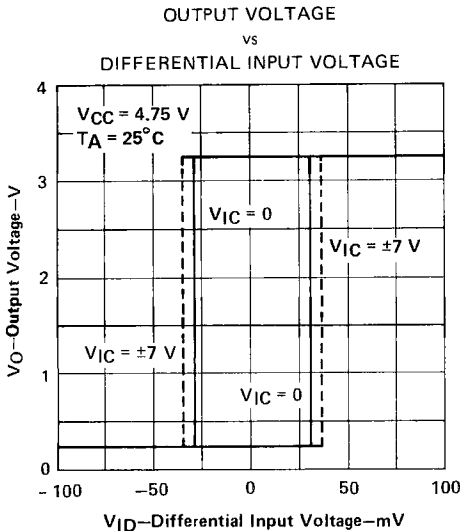


FIGURE 2

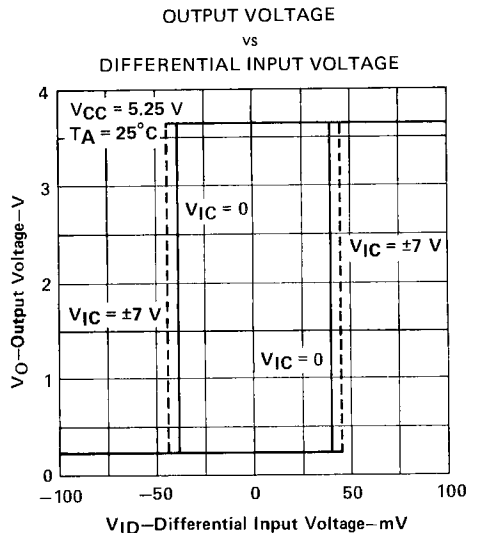


FIGURE 3

TYPICAL CHARACTERISTICS

HIGH-LEVEL OUTPUT VOLTAGE
 vs
 HIGH-LEVEL OUTPUT CURRENT

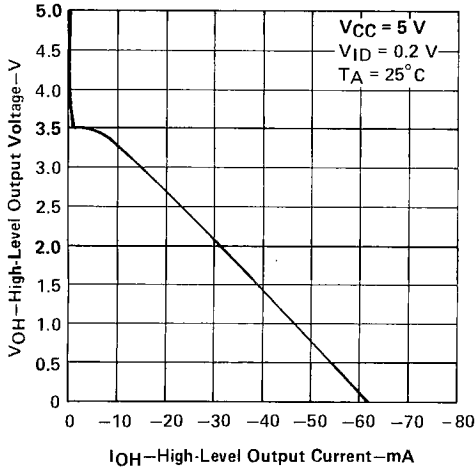


FIGURE 4

LOW-LEVEL OUTPUT VOLTAGE
 vs
 LOW-LEVEL OUTPUT CURRENT

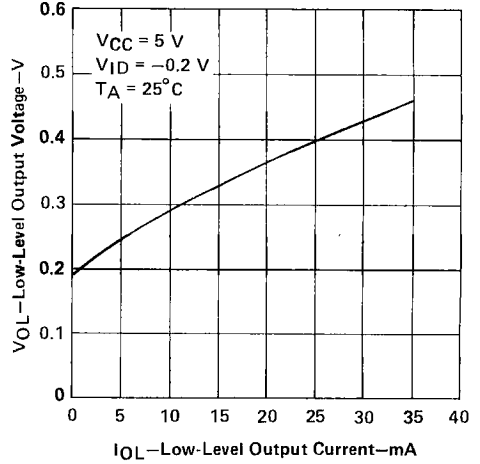


FIGURE 5

SUPPLY CURRENT
 vs
 SUPPLY VOLTAGE

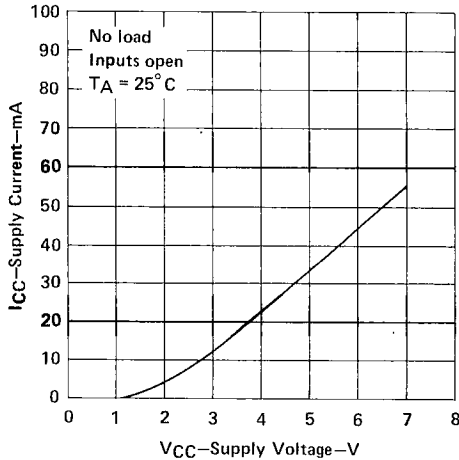


FIGURE 6

TYPICAL APPLICATION DATA

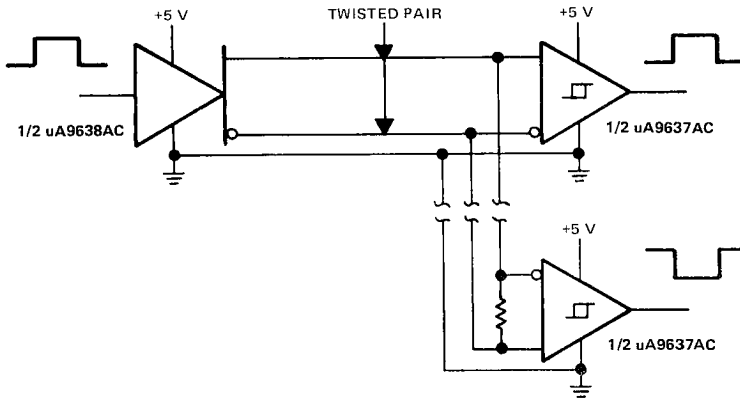


FIGURE 7. RS-422-A SYSTEM APPLICATIONS

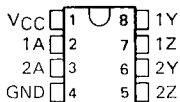


uA9638C DUAL HIGH-SPEED DIFFERENTIAL LINE DRIVER

D2612, OC[†] 1980—REVISED SEPTEMBER 1986

- Meets EIA Standard RS-422-A
- Operates From a Single 5-V Supply
- TTL- and CMOS-Input Compatibility
- Output Short-Circuit Protection
- Schottky Circuitry
- Designed to Be Interchangeable With Fairchild 9638

D, JG, OR P PACKAGE
(TOP VIEW)

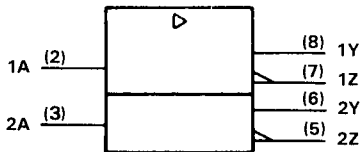


description

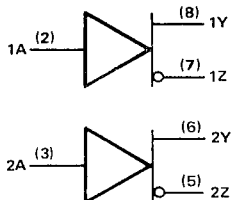
The uA9638C is a dual high-speed differential line driver designed to meet EIA Standard RS-422-A. The inputs are TTL- and CMOS-compatible and have input clamp diodes. Schottky-diode-clamped transistors are used to minimize propagation delay time. This device operates from a single 5-V power supply and is supplied in an 8-pin package.

The uA9638C is characterized for operation from 0°C to 70°C.

logic symbol†

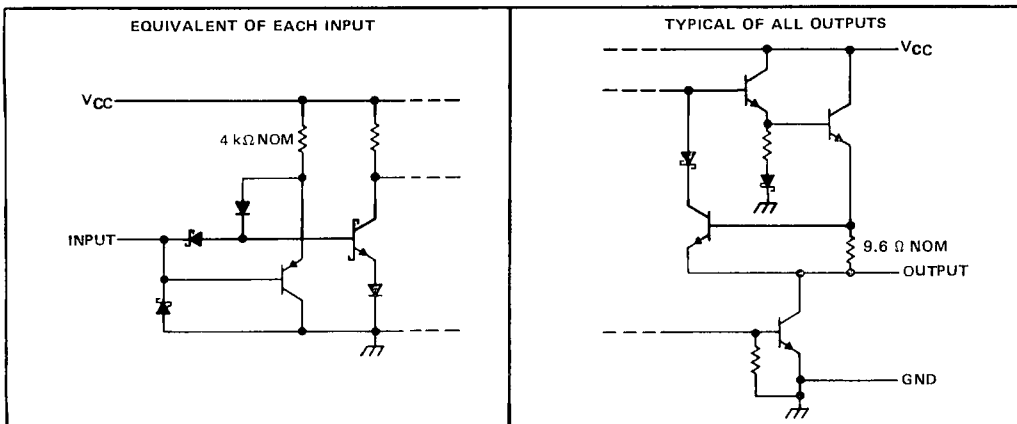


logic diagram



†This symbol is in accordance with ANSI/IEEE Std 91-1984 and IEC Publication 617-12.

schematics of inputs and outputs



PRODUCTION DATA documents contain information current as of publication date. Products conform to specifications per the terms of Texas Instruments standard warranty. Production processing does not necessarily include testing of all parameters.

**TEXAS
INSTRUMENTS**

POST OFFICE BOX 655303 • DALLAS, TEXAS 75265

Copyright © 1986, Texas Instruments Incorporated

2-967

uA9638C
DUAL HIGH-SPEED DIFFERENTIAL LINE DRIVER

absolute maximum ratings over operating free-air temperature range (unless otherwise noted)

Supply voltage range, V_{CC} (see Note 1)	-0.5 V to 7 V
Input voltage range	-0.5 V to 7 V
Continuous total power dissipation (see Note 2)	See Dissipation Rating Table
Operating free-air temperature range	0°C to 70°C
Storage temperature range	-65°C to 150°C
Lead temperature 1,6 mm (1/16 inch) from case for 60 seconds: JG package	300°C
Lead temperature 1,6 mm (1/16 inch) from 10 seconds: D and P package	260°C

- NOTES: 1. Voltage values except differential output voltages are with respect to network ground terminal.
 2. In the JG package, uA9638C chips are glass mounted.

DISSIPATION RATING TABLE

PACKAGE	$T_A = 25^\circ\text{C}$	DERATING FACTOR	$T_A = 70^\circ\text{C}$
	POWER RATING	ABOVE $T_A = 25^\circ\text{C}$	POWER RATING
D	725 mW	5.8 mW/°C	464 mW
JG	825 mW	6.6 mW/°C	528 mW
P	1000 mW	8.0 mW/°C	640 mW

recommended operating conditions

	MIN	NOM	MAX	UNIT
Supply voltage, V_{CC}	4.75	5	5.25	V
High-level input voltage, V_{IH}	2			V
Low-level input voltage, V_{IL}			0.8	V
High-level output current, I_{OH}			-50	mA
Low-level output current, I_{OL}			50	mA
Operating free-air temperature, T_A	0		70	°C

electrical characteristics over operating free-air temperature range (unless otherwise noted)

PARAMETER	TEST CONDITIONS	MIN	TYP [†]	MAX	UNIT
V _{IK} Input clamp voltage	V _{CC} = 4.75 V, I _I = -18 mA	-1	-1.2		V
V _{OH} High-level output voltage	V _{CC} = 4.75 V, V _{IH} = 2 V, V _{IL} = 0.8 V	2.5	3.5		V
V _{OL} Low-level output voltage	V _{CC} = 4.75 V, V _{IH} = 2 V, V _{IL} = 0.8 V, I _{OL} = 40 mA			0.5	V
V _{OD1} Differential output voltage	V _{CC} = 5.25 V, I _O = 0		2V _{OD2}		V
V _{OD2} Differential output voltage		2			V
Δ V _{OD} Change in magnitude of differential output voltage [‡]	V _{CC} = 4.75 V to 5.25 V, R _L = 100 Ω, See Figure 1		±0.4		V
V _{OC} Common-mode output voltage [§]			3		V
Δ V _{OC} Change in magnitude of common-mode output voltage			±0.4		V
I _O Output current with power off	V _{CC} = 0, V _O = 6 V		0.1	100	μA
	V _O = -0.25 V		-0.1	-100	μA
	V _O = -0.25 V to 6 V			±100	μA
I _I Input current	V _{CC} = 5.25 V, V _I = 5.5 V			50	μA
I _{IH} High-level input current	V _{CC} = 5.25 V, V _I = 2.7 V			25	μA
I _{IL} Low-level input current	V _{CC} = 5.25 V, V _I = 0.5 V			-200	μA
I _{OS} Short-circuit output current [¶]	V _{CC} = 5.25 V, V _O = 0	-50		-150	mA
I _{CC} Supply current (all drivers)	V _{CC} = 5.25 V, No load, All inputs at 0 V		45	65	mA

[†]All typical values are at V_{CC} = 5 V and T_A = 25°C.

[‡]Δ|V_{OD}| and Δ|V_{OC}| are the changes in magnitude of V_{OD} and V_{OC}, respectively, that occur when the input is changed from a high level to a low level.

[§]In EIA Standard RS-422-A, V_{OC}, which is the average of the two output voltages with respect to ground, is called output offset voltage, V_{OS}.

[¶]Only one output at a time should be shorted and duration of the short circuit should not exceed one second.

switching characteristics, V_{CC} = 5 V, T_A = 25°C

PARAMETER	TEST CONDITION	MIN	TYP	MAX	UNIT
t _{DP} Differential-output delay time	C _L = 15 pF, R _L = 100 Ω, See Figure 2		10	15	ns
t _{TD} Differential-output transition time			10	15	ns
JKEW			1		ns

uA9638C
DUAL HIGH-SPEED DIFFERENTIAL LINE DRIVER

PARAMETER MEASUREMENT INFORMATION

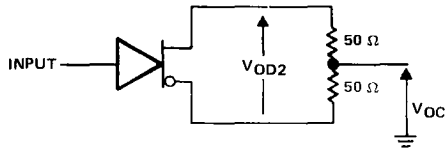
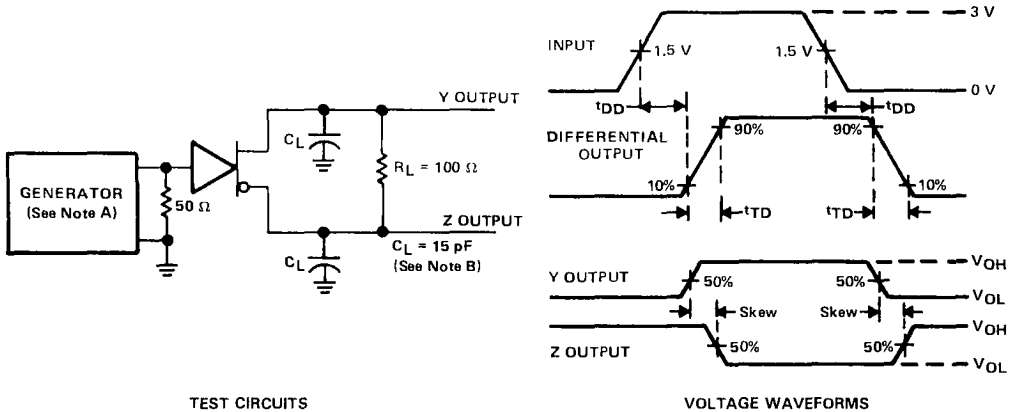


FIGURE 1. DIFFERENTIAL AND COMMON-MODE OUTPUT VOLTAGES



TEST CIRCUITS

VOLTAGE WAVEFORMS

NOTES: A. The input pulse generator has the following characteristics: $Z_o = 50 \Omega$, $PRR \leq 500 \text{ kHz}$, $t_w = 100 \text{ ns}$, $t_r = \leq 5 \text{ ns}$.
 B. C_L includes probe and jig capacitance.

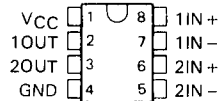
FIGURE 2. SWITCHING TIMES

uA9639C DUAL DIFFERENTIAL LINE RECEIVER

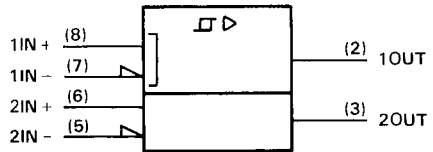
D3009, OCTOBER 1986

- Meets EIA Standards RS-422-A and RS-423-A
- Meets Federal Standards 1020 and 1030
- Operates from Single 5-V Power Supply
- Wide Common-Mode Voltage Range
- High Input Impedance
- TTL-Compatible Outputs
- High-Speed Schottky Circuitry
- 8-Pin Dual-In-Line and "Small Outline" Packages
- Designed to be Interchangeable with Fairchild μ A9639AC

D, JG, OR P PACKAGE
(TOP VIEW)



logic symbol†



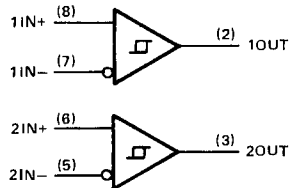
† This symbol is in accordance with ANSI/IEEE Std 91-1984 and IEC Publication 617-12.

description

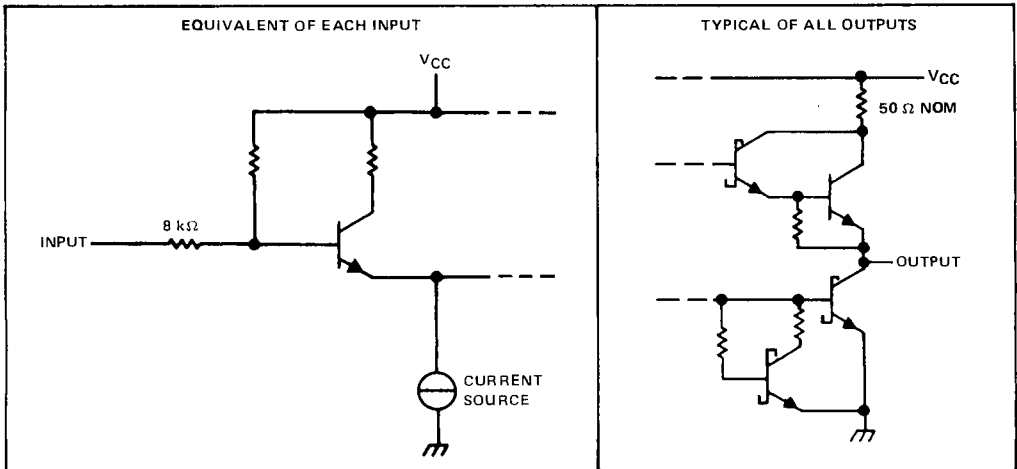
The uA9639C is a dual differential line receiver designed to meet EIA standards RS-422-A and RS-423-A and Federal Standards 1020 and 1030. It utilizes Schottky circuitry and has TTL-compatible outputs. The inputs are compatible with either a single-ended or a differential-line system. This device operates from a single 5-volt power supply and is supplied in an 8-pin dual-in-line package and "small outline" package.

The uA9639C is characterized for operation from 0°C to 70°C.

logic diagram



schematics of inputs and outputs



PRODUCTION DATA documents contain information current as of publication date. Products conform to specifications per the terms of Texas Instruments standard warranty. Production processing does not necessarily include testing of all parameters.

TEXAS
INSTRUMENTS

POST OFFICE BOX 655303 • DALLAS, TEXAS 75265

Copyright © 1986, Texas Instruments Incorporated

2-971

uA9639C DUAL DIFFERENTIAL LINE RECEIVER

absolute maximum ratings over operating free-air temperature range (unless otherwise noted)

Supply voltage, V_{CC} (see Note 1)	-0.5 V to 7 V
Input voltage	± 15 V
Differential input voltage (see Note 2)	± 15 V
Output voltage (see Note 1)	-0.5 V to 5.5 V
Low-level output current	50 mA
Continuous total dissipation at (or below) 25°C free-air temperature (see Note 3):	
D package	725 mW
JG package	825 mW
P package	1000 mW
Operating free-air temperature range	0°C to 70°C
Storage temperature range	-65°C to 150°C
Lead temperature 1,6 mm (1/16 inch) from case for 60 seconds: JG package	300°C
Lead temperature 1,6 mm (1/16 inch) from case for 10 seconds: D and P package	260°C

- NOTES: 1. All voltage values, except differential input voltage, are with respect to the network ground terminal.
 2. Differential input voltage is measured at the noninverting input with respect to the corresponding inverting input.
 3. For operation above 25°C free-air temperature, derate the D package to 464 mW at 70°C at the rate of 5.8 mW/°C, the JG package to 528 mW at 70°C at the rate of 6.6 mW/°C, and the P package to 640 mW at 70°C at the rate of 8.0 mW/°C.

recommended operating conditions

	MIN	NOM	MAX	UNIT
Supply voltage, V_{CC}	4.75	5	5.25	V
Common-mode input voltage, V_{IC}			± 7	V
Operating free-air temperature T_A	0		70	°C

electrical characteristics over recommended ranges of supply voltage, common-mode input voltage, and operating free-air temperature (unless otherwise noted)

PARAMETER	TEST CONDITIONS	MIN	TYP†	MAX	UNIT
V_T Threshold voltage (V_{T+} and V_{T-})		-0.2		0.2	V
	See Note 5	-0.4		0.4	
V_{hys} Hysteresis ($V_{T+} - V_{T-}$)			70		mV
V_{OH} High-level output voltage	$V_{ID} = 0.2$ V, $I_O = -1$ mA	2.5	3.5		V
V_{OL} Low-level output voltage	$V_{ID} = -0.2$ V, $I_O = 20$ mA	0.35	0.5		V
I_I Input current	$V_{CC} = 0$ to 5.5 V, See Note 6	$V_I = 10$ V	1.1	3.25	mA
		$V_I = -10$ V	-1.6	-3.25	
I_{OS} Short-circuit output current‡	$V_O = 0$, $V_{ID} = 0.2$ V	-40	-75	-100	mA
I_{CC} Supply current	$V_{ID} = -0.5$ V, No load		35	50	mA

†All typical values are at $V_{CC} = 5$ V, $T_A = 25^\circ\text{C}$.

‡Only one output should be shorted at a time, and duration of the short-circuit should not exceed one second.

NOTES: 4. The algebraic convention, in which the less positive (more negative) limit is designated as minimum, is used in this data sheet for threshold levels only.

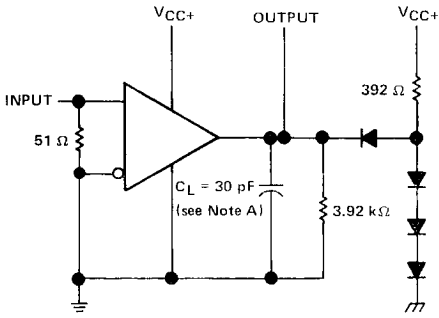
5. The expanded threshold parameter is tested with a 500- Ω resistor in series with each input.

6. The input not under test is grounded.

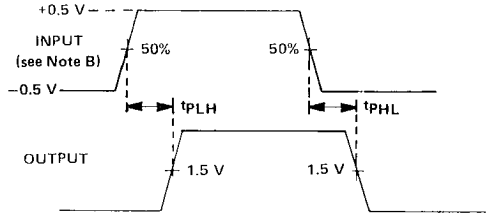
switching characteristics, $V_{CC} = 5$ V, $T_A = 0^\circ\text{C}$ to 70°C

PARAMETER	TEST CONDITION	MIN	MAX	UNIT
t_{PLH} Propagation delay time, low-to-high-level output	$C_L = 30$ pF, See Figure 1		85	ns
t_{PHL} Propagation delay time, high-to-low-level output			85	ns

PARAMETER MEASUREMENT INFORMATION



TEST CIRCUIT



VOLTAGE WAVEFORM

NOTES: A. C_L includes probe and jig capacitance.

B. The input pulse is supplied by a generator having the following characteristics: $t_r \leq 5 \text{ ns}$, $t_f \leq 5 \text{ ns}$, $PRR \leq 5 \text{ MHz}$, duty cycle = 50%.

FIGURE 1. TRANSITION TIMES

TYPICAL CHARACTERISTICS

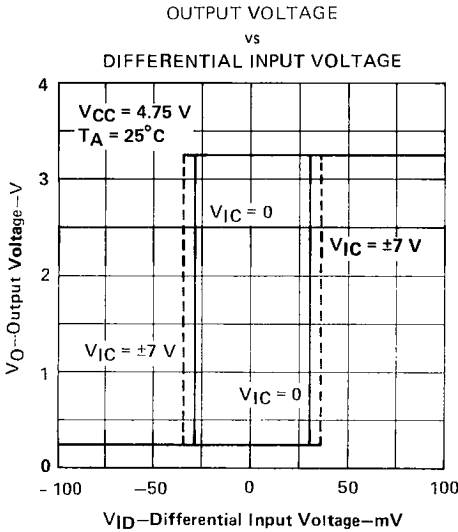


FIGURE 2

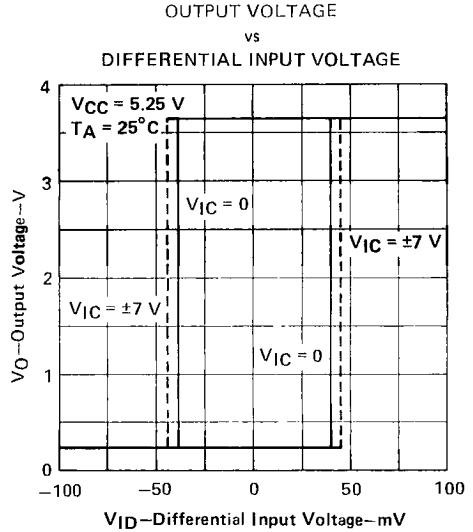


FIGURE 3

TYPICAL CHARACTERISTICS

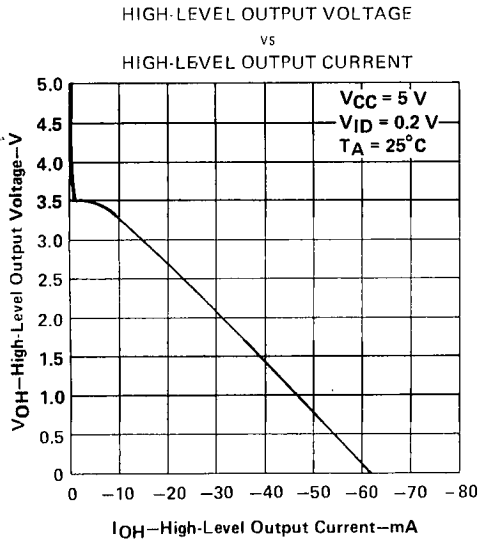


FIGURE 4

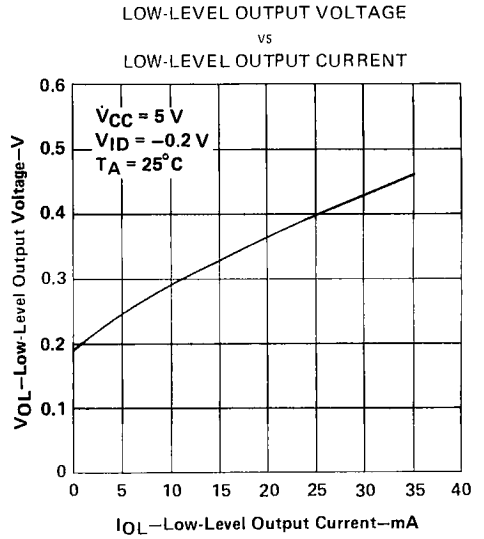


FIGURE 5

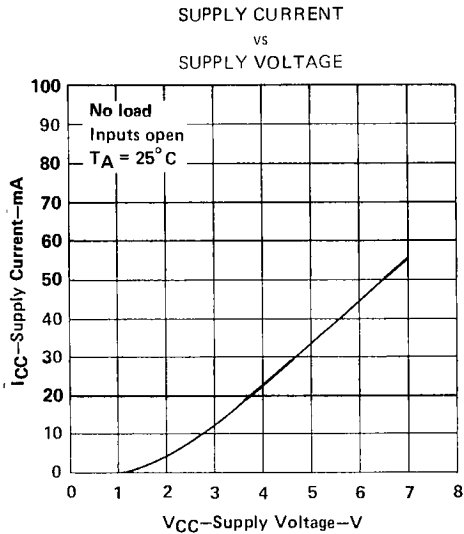


FIGURE 6

TYPICAL APPLICATION DATA

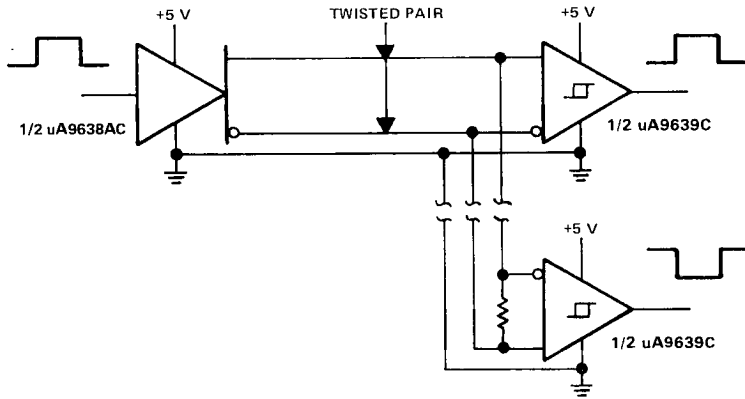


FIGURE 7. RS-422-A SYSTEM APPLICATIONS